



US00D862284S

(12) **United States Design Patent**
Paik et al.

(10) **Patent No.:** **US D862,284 S**
(45) **Date of Patent:** **** Oct. 8, 2019**

(54) **CONTROLLER FOR SHOULDER STRAP FOR BAGS**

D778,778 S * 2/2017 Paik D11/216
D799,371 S * 10/2017 Chan D11/216
D845,168 S * 4/2019 Paik D11/216

(71) Applicant: **WOJIN PLASTIC CO., LTD.**,
Gyeonggi-do (KR)

OTHER PUBLICATIONS

(72) Inventors: **Jisook Paik**, Seoul (KR); **Nan Hee Paik**, Seoul (KR); **Ji Hye Paik**, Seoul (KR); **Ji Won Son**, Seoul (KR)

ITW Nexus Global, "FlipClip", Accessed May 17, 2019. (<http://global.itwnexus.com/content/flipclip>) (Year: 2019).*
Carryology, "Road Tests :: Boreas Gear Repack 15", Posted on Jul. 18, 2011. (<https://www.carryology.com/reviews-2/road-test/bag-review-boreas-gear-repack-15/>) (Year: 2011).*

(**) Term: **15 Years**

(Continued)

(21) Appl. No.: **29/609,171**

Primary Examiner — Jennifer Rivard
Assistant Examiner — April Rivas

(22) Filed: **Jun. 28, 2017**

(57) **CLAIM**

(51) **LOC (12) Cl.** **02-07**

The ornamental design for a controller for shoulder strap for bags, as shown and described.

(52) **U.S. Cl.**
USPC **D11/216**

DESCRIPTION

(58) **Field of Classification Search**
USPC D11/1, 2, 200, 201, 206, 207, 208, 209,
D11/210, 214, 215, 216, 217, 218;
D8/356; D3/318
CPC A45C 3/02; A45C 13/10; A44B 11/04;
A44B 11/02
See application file for complete search history.

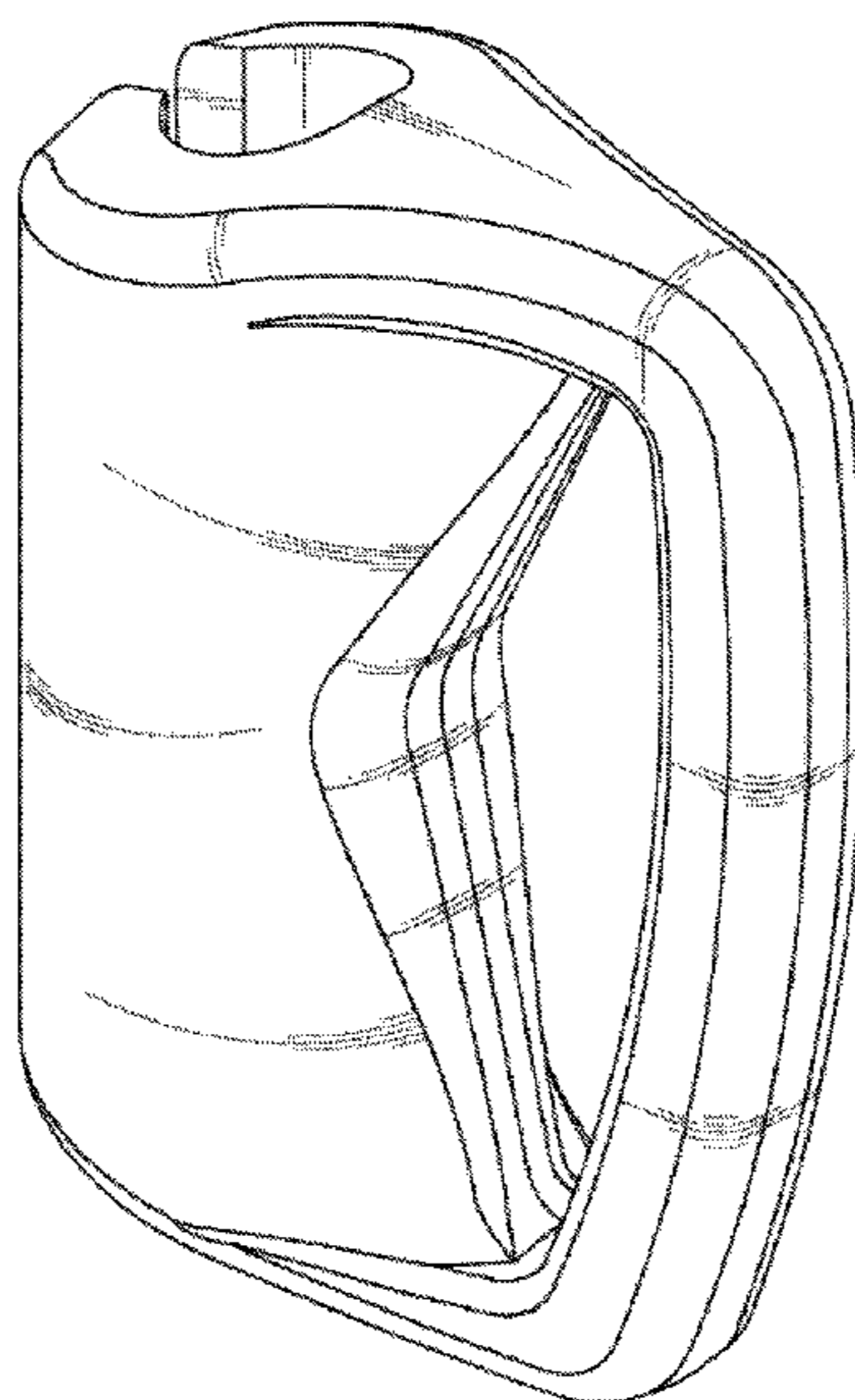
FIG. 1 is a perspective view of a controller for shoulder strap for bags;
FIG. 2 is a front view of the controller for shoulder strap for bags of FIG. 1;
FIG. 3 is a rear view of the controller for shoulder strap for bags of FIG. 1;
FIG. 4 is a left side view of the controller for shoulder strap for bags of FIG. 1;
FIG. 5 is a right side view of the controller for shoulder strap for bags of FIG. 1;
FIG. 6 is a top view of the controller for shoulder strap for bags of FIG. 1;
FIG. 7 is a bottom view of the controller for shoulder strap for bags of FIG. 1; and,
FIG. 8 shows a perspective view of the controller for shoulder strap for bags of FIG. 1 holding a belt connected by being placed on one of backpack straps.
The broken lines illustrate environment and form no part of the claimed design.

(56) **References Cited**

U.S. PATENT DOCUMENTS

D314,533 S * 2/1991 Fossum D11/210
D409,114 S * 5/1999 Bortner D11/216
D422,937 S * 4/2000 Pontaoe D11/218
D633,415 S * 3/2011 Grimm D11/218
D680,851 S * 4/2013 Lo D8/356
D686,528 S * 7/2013 Paik D11/216
D711,776 S * 8/2014 Iannello D11/218
D724,994 S * 3/2015 Paik D11/216
D729,046 S * 5/2015 Paik D8/367
D757,602 S * 5/2016 Chan D11/216

1 Claim, 8 Drawing Sheets



(56)

References Cited

OTHER PUBLICATIONS

Vaude, "Chest belt 20 mm", Accessed May 17, 2019. (<https://www.vaude.com/en-GB/Products/Spare-Parts-Accessories/For-Backpacks/Chest-belt-20-mm>) (Year: 2019).*

GrabCAD, "Slider Clip", Uploaded on Jan. 30, 2018. (<https://grabcad.com/library/slider-clip-1>) (Year: 2018).*

The Great Outdoors, "What's this backpack part called and how can I get a replacement?", Posted Aug. 16, 2018. (<https://outdoors.stackexchange.com/questions/20227/whats-this-backpack-part-called-and-how-can-i-get-a-replacement>) (Year: 2018).*

* cited by examiner

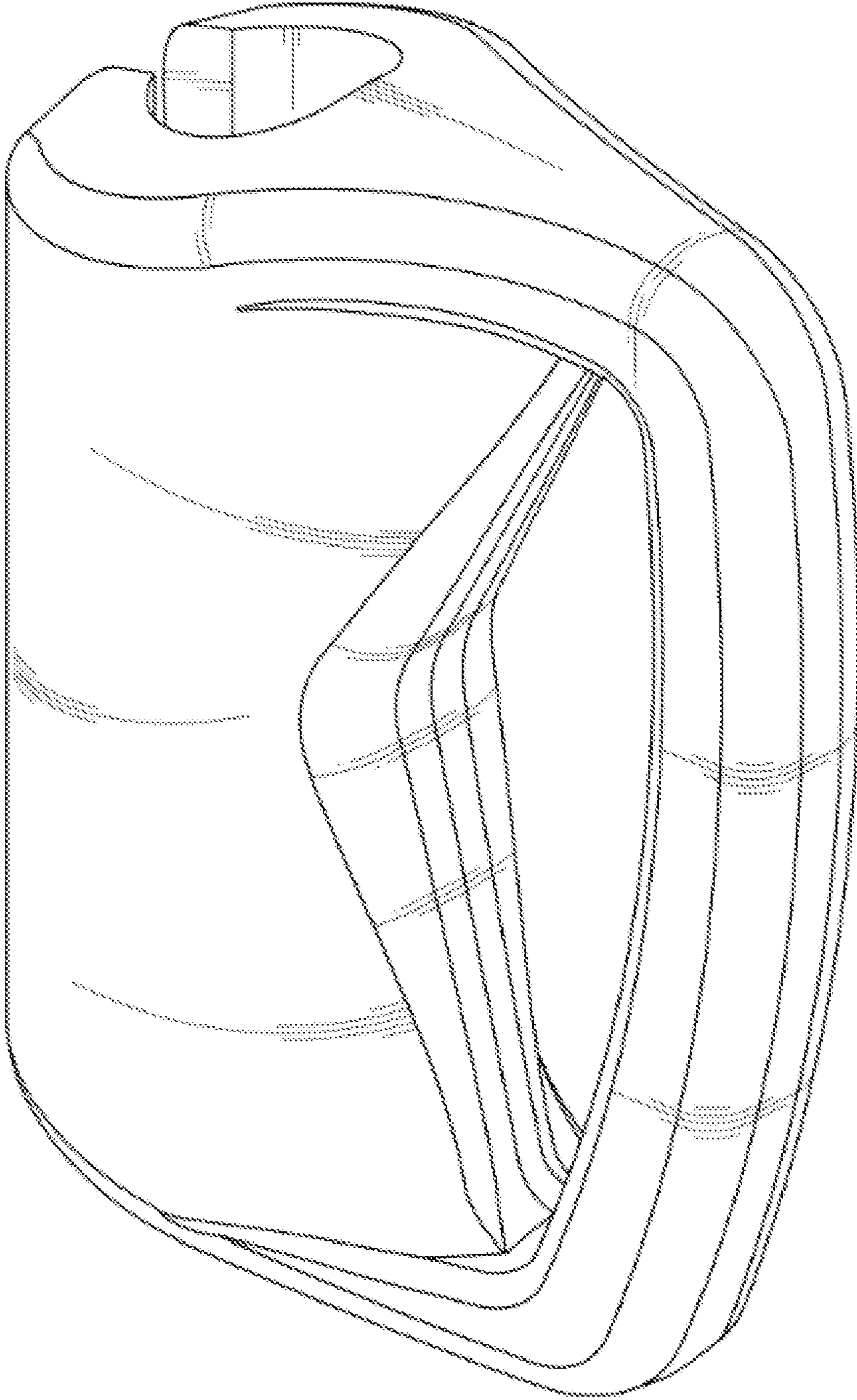


Fig.1

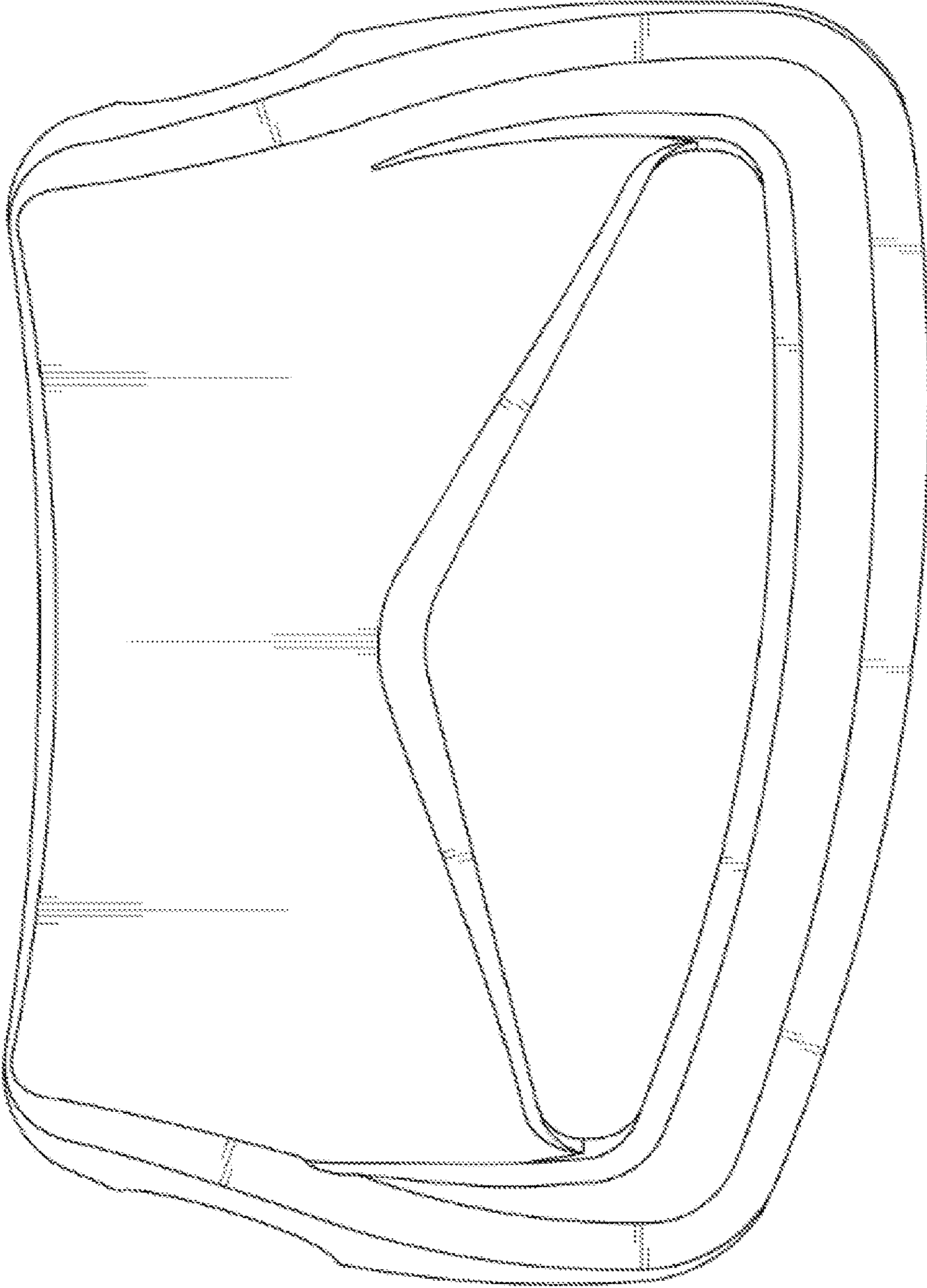


Fig.2

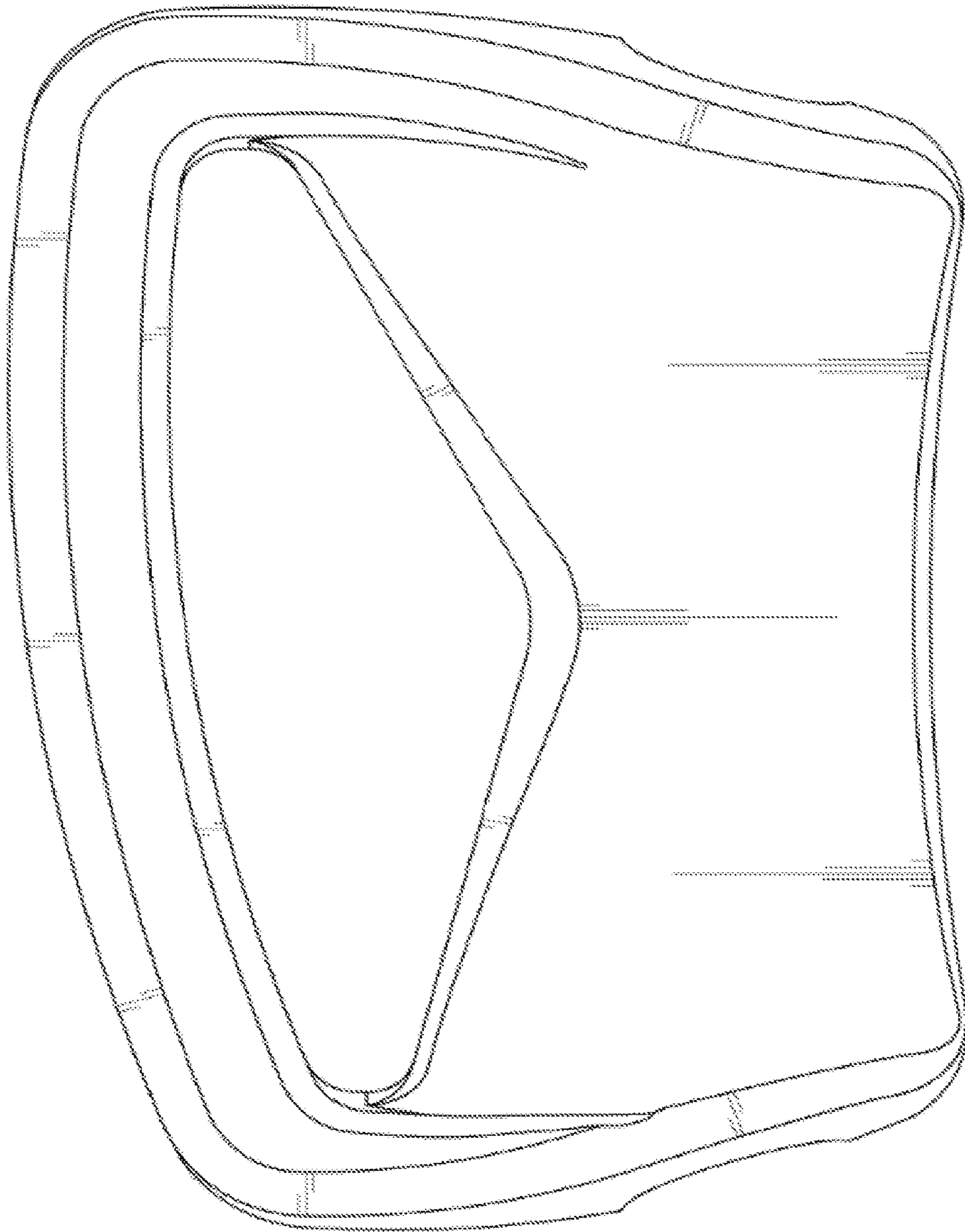


Fig.3

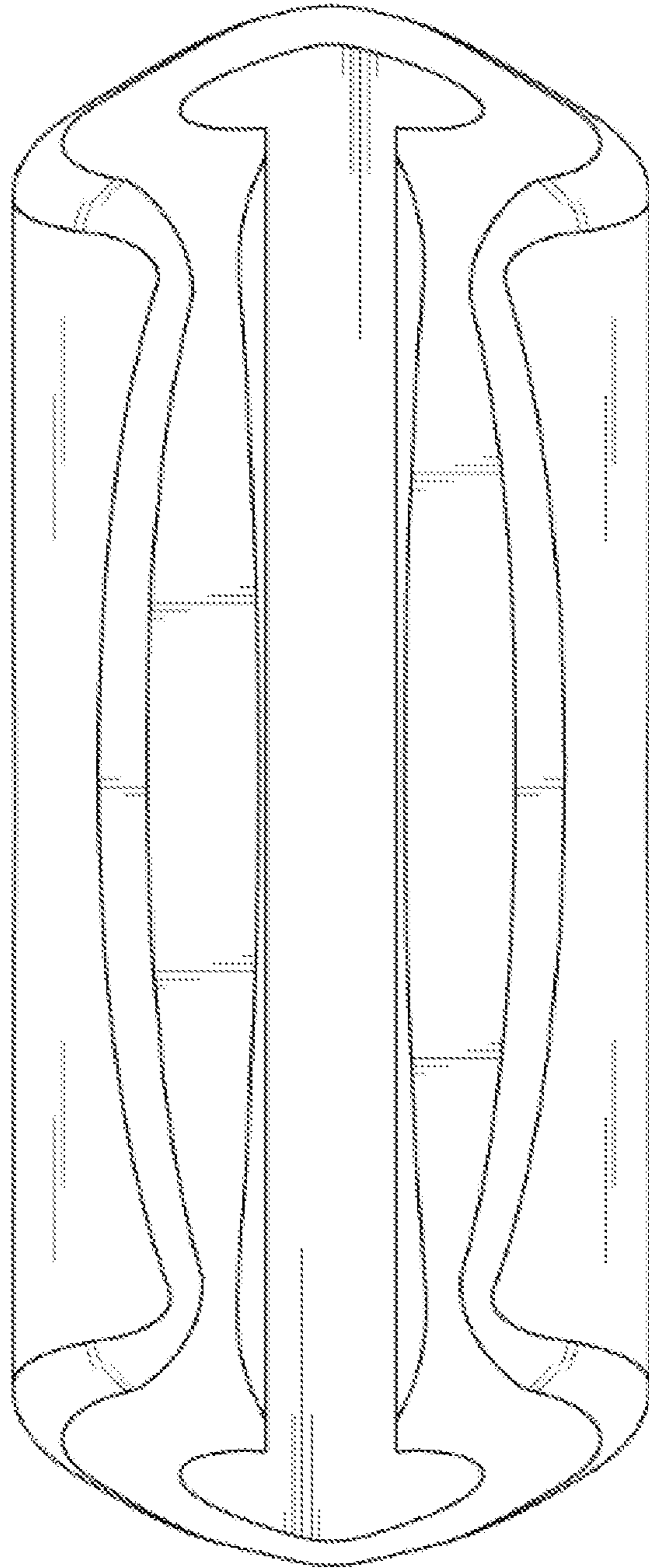


Fig.4

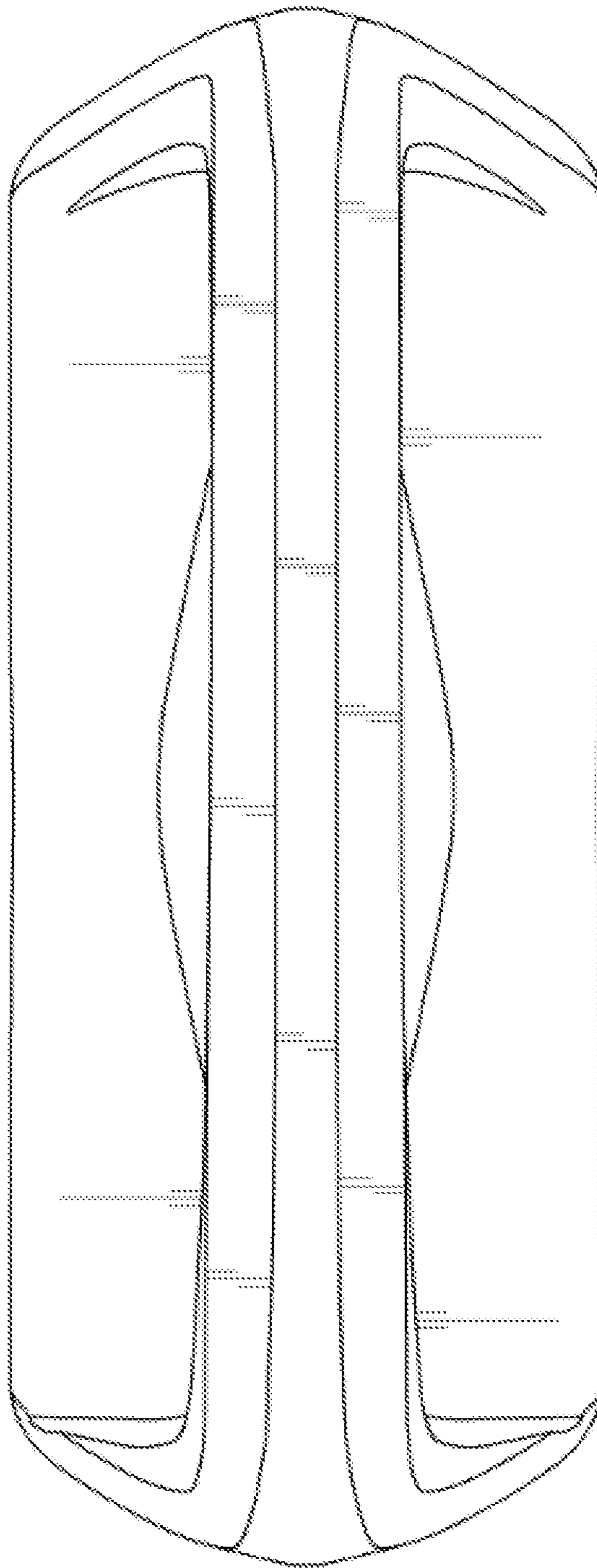


Fig.5

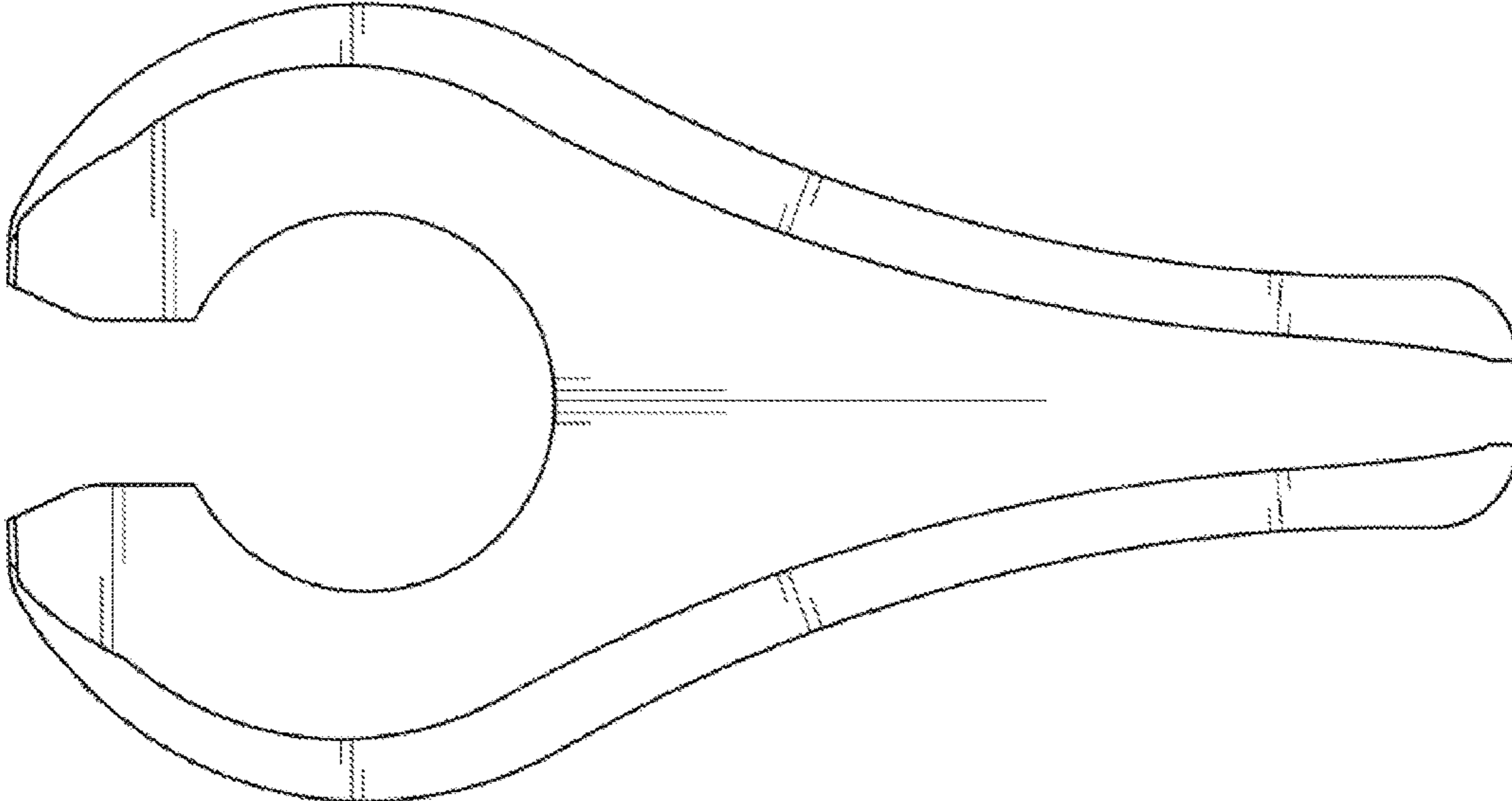


Fig.6

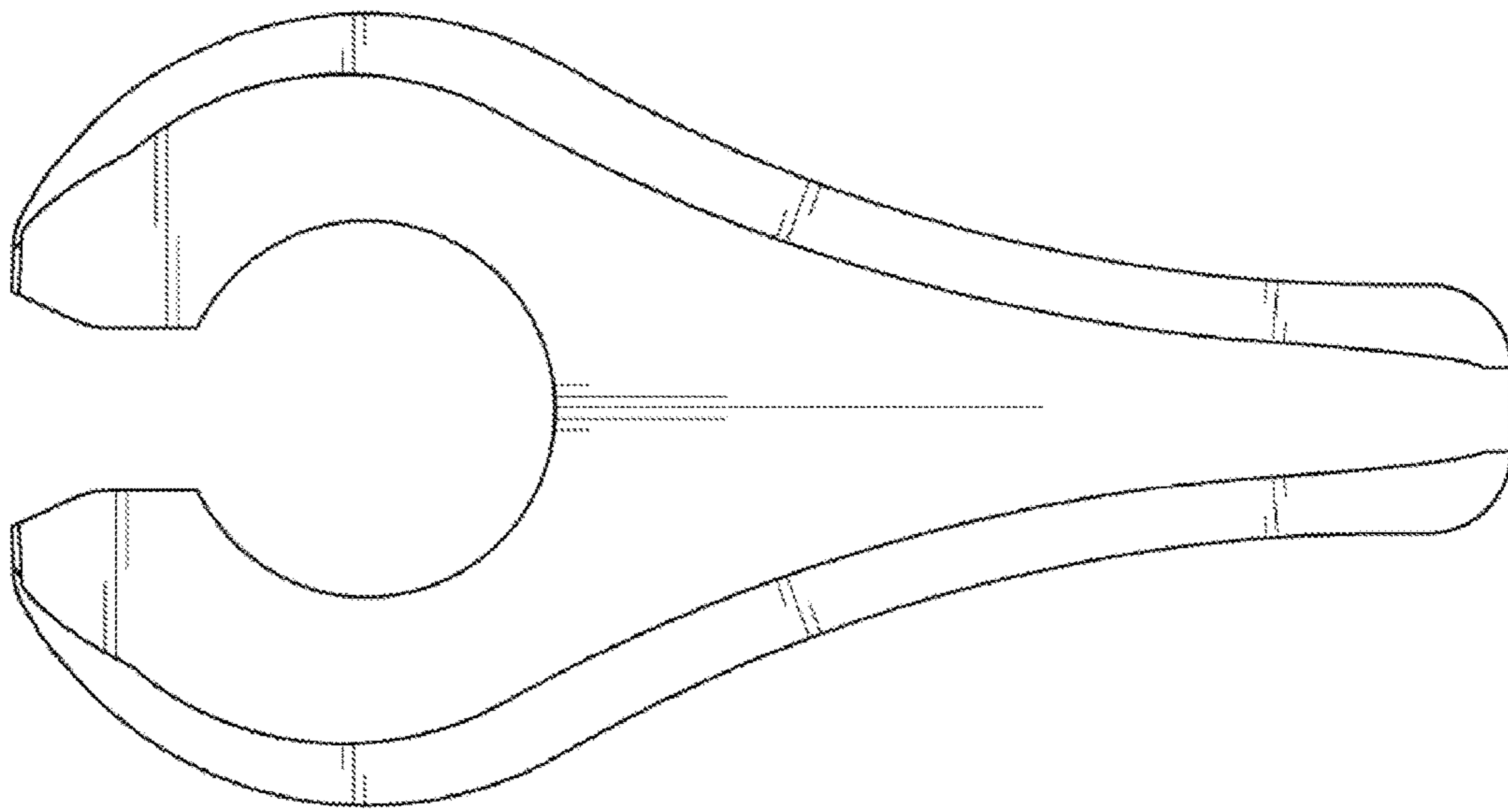


FIG. 7

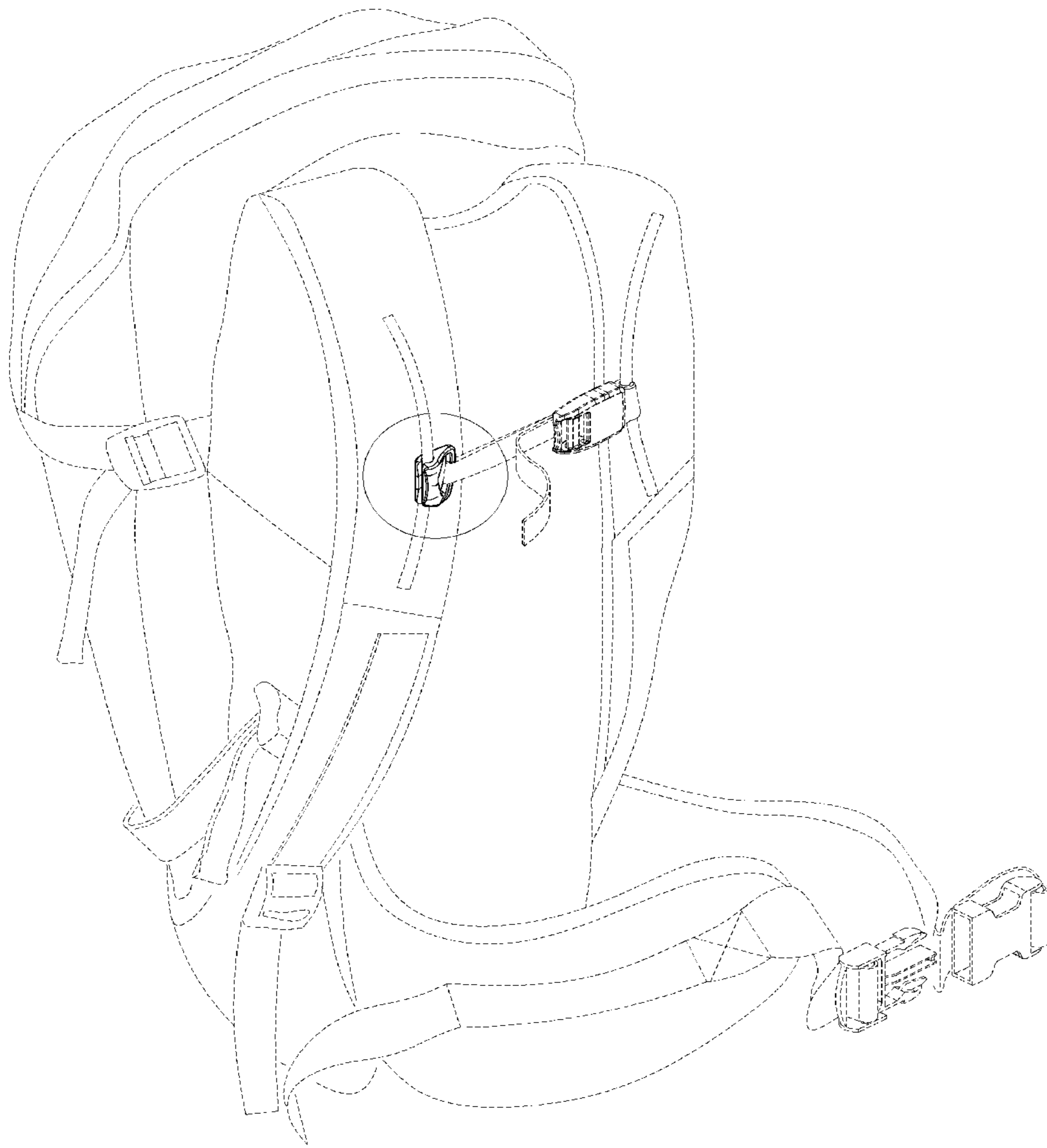


FIG. 8