

US00D862283S

(12) **United States Design Patent**  
**Paik et al.**

(10) **Patent No.:** **US D862,283 S**  
(45) **Date of Patent:** **\*\* Oct. 8, 2019**

(54) **BUCKLE**

(71) Applicant: **WOJIN PLASTIC CO., LTD**,  
Guri-si, Gyeonggi-do (KR)

(72) Inventors: **Jisook Paik**, Seoul (KR); **Nan Hee Paik**, Seoul (KR); **Ji Hye Paik**, Seoul (KR); **Ji Won Son**, Seoul (KR)

(73) Assignee: **WOJIN PLASTIC CO., LTD**,  
Guri-si (KR)

(\*\*) Term: **15 Years**

(21) Appl. No.: **29/597,123**

(22) Filed: **Mar. 14, 2017**

(30) **Foreign Application Priority Data**

Jan. 10, 2017 (KR) ..... 30-2017-0001405

(51) **LOC (12) Cl.** ..... **02-07**

(52) **U.S. Cl.**  
USPC ..... **D11/216**

(58) **Field of Classification Search**  
USPC ..... D11/200, 201, 206-210, 214-220;  
D8/349, 356; 24/163 R, 169-171, 173,  
24/177-179, 191, 194, 195, 197, 198,  
24/200, 614-616, 625, 630, 578.11,  
24/163 K, 114  
CPC ..... A44B 11/25; A44B 11/26; A44B 11/06;  
A45F 3/047; A41F 11/04  
See application file for complete search history.

(56) **References Cited**

**U.S. PATENT DOCUMENTS**

D566,003 S \* 4/2008 Anscher ..... D11/216  
D597,441 S \* 8/2009 Uehara ..... D11/216  
7,650,676 B2 \* 1/2010 Saitsu ..... A44B 11/2534  
24/614  
D635,057 S \* 3/2011 Pontaoe ..... D11/216

(Continued)

**FOREIGN PATENT DOCUMENTS**

CN 201730291028 \* 1/2018  
CN 201830385349.0 \* 1/2019

(Continued)

*Primary Examiner* — Cathron C Brooks

*Assistant Examiner* — W. A. Teddy Falloway

(74) *Attorney, Agent, or Firm* — Novick, Kim & Lee,  
PLLC; Jae Youn Kim

(57) **CLAIM**

We claim, the ornamental design for a buckle, as shown and described.

**DESCRIPTION**

FIG. 1 is a perspective view of a buckle, showing our new design;

FIG. 2 is a front elevational view thereof;

FIG. 3 is a rear elevational view thereof;

FIG. 4 is a left side elevational view thereof;

FIG. 5 is a right side elevational view thereof;

FIG. 6 is a top plan view thereof;

FIG. 7 is a bottom plan view thereof;

FIG. 8 is a cross-sectional view taken along the line 8-8 of FIG. 2;

FIG. 9 is another perspective view thereof, shown with environmental structure;

FIG. 10 is a perspective view of another embodiment of the Buckle shown in FIG. 1;

FIG. 11 is a front elevational view thereof;

FIG. 12 is a rear elevational view thereof;

FIG. 13 is a left side elevational view thereof;

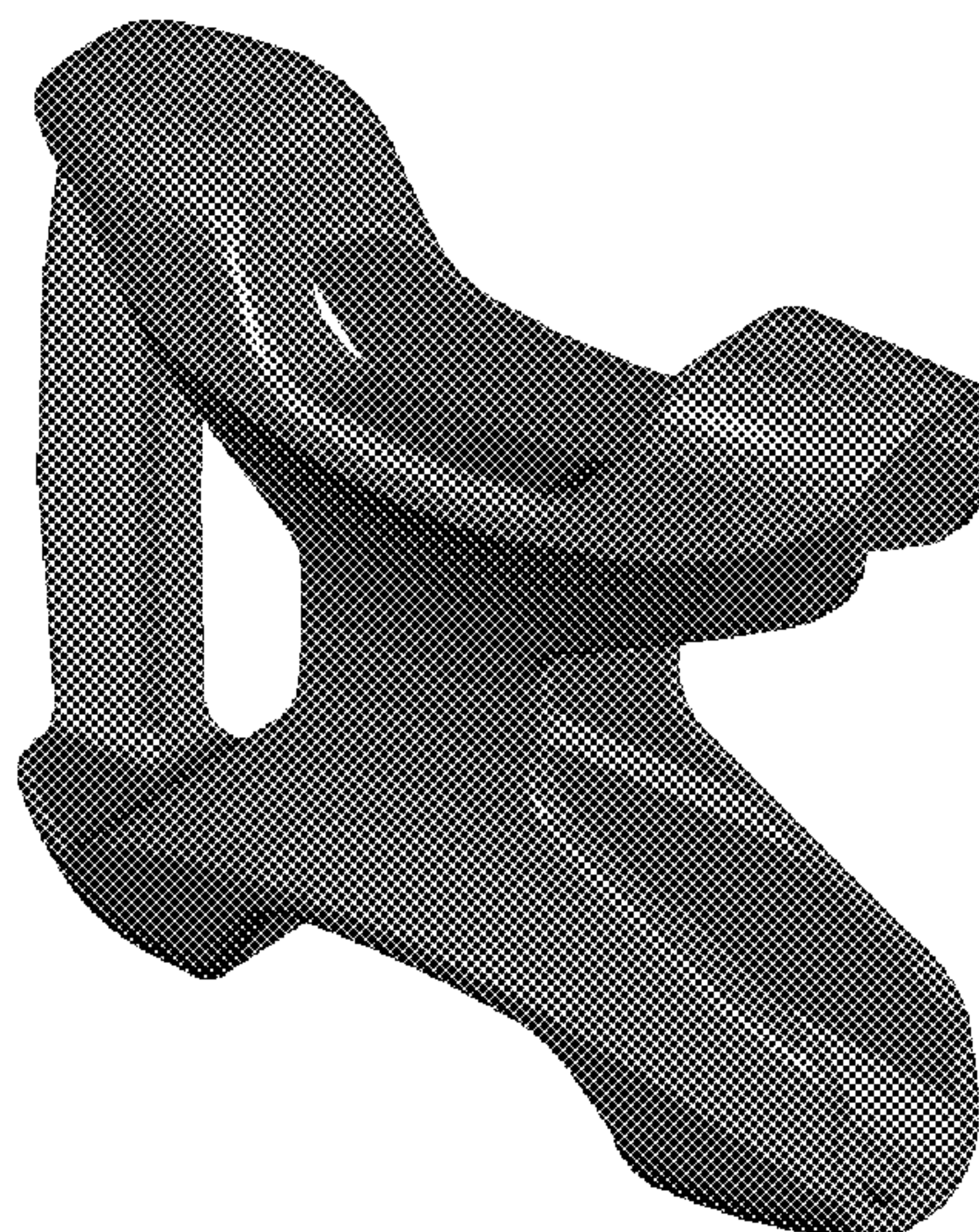
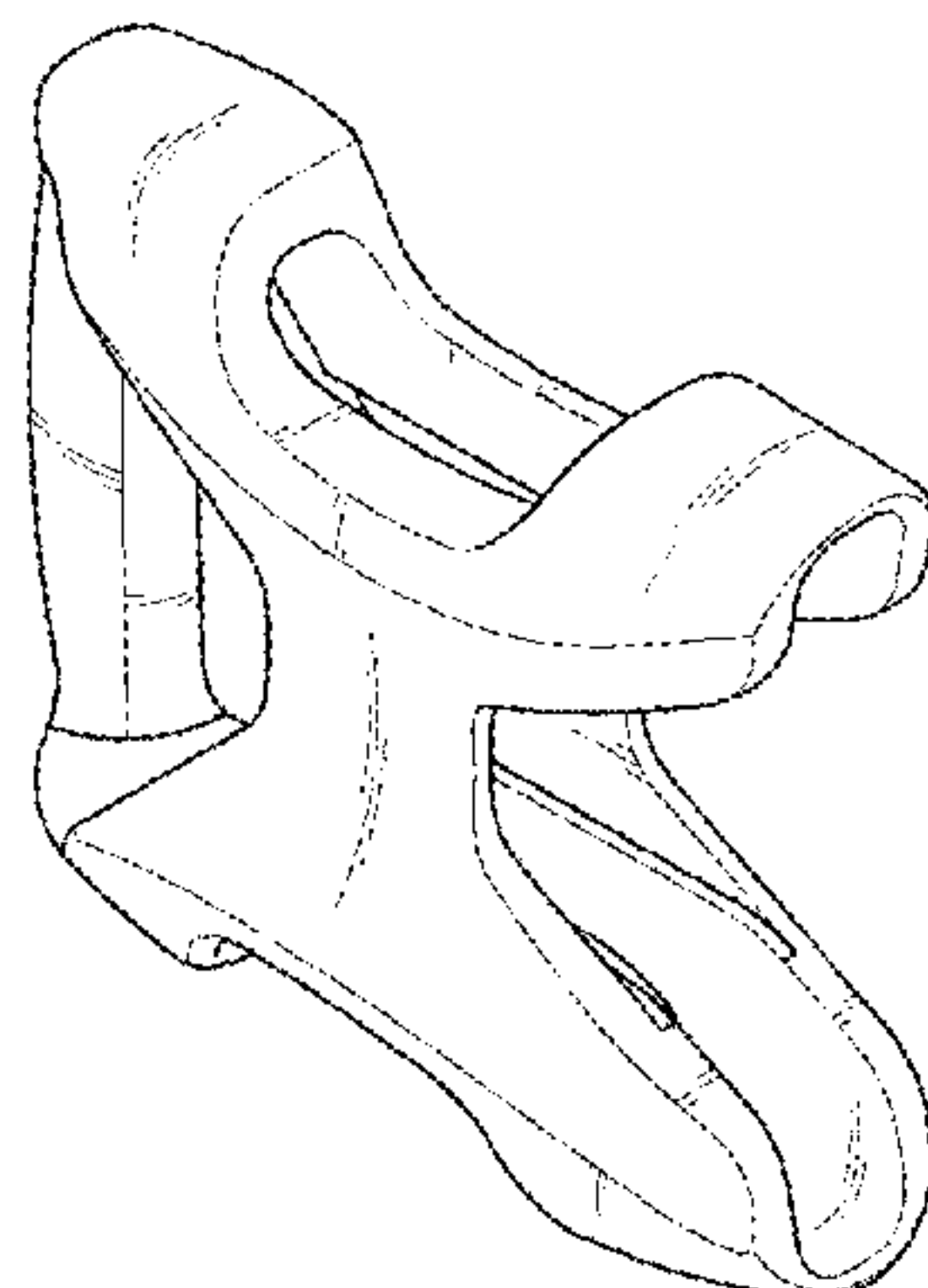
FIG. 14 is a right side elevational view thereof;

FIG. 15 is a top plan view thereof; and,

FIG. 16 is a bottom plan view thereof.

The broken lines shown in the drawings show environment for illustrative purposes only and form no part of the claimed design.

**1 Claim, 11 Drawing Sheets**



(56)

References Cited

U.S. PATENT DOCUMENTS

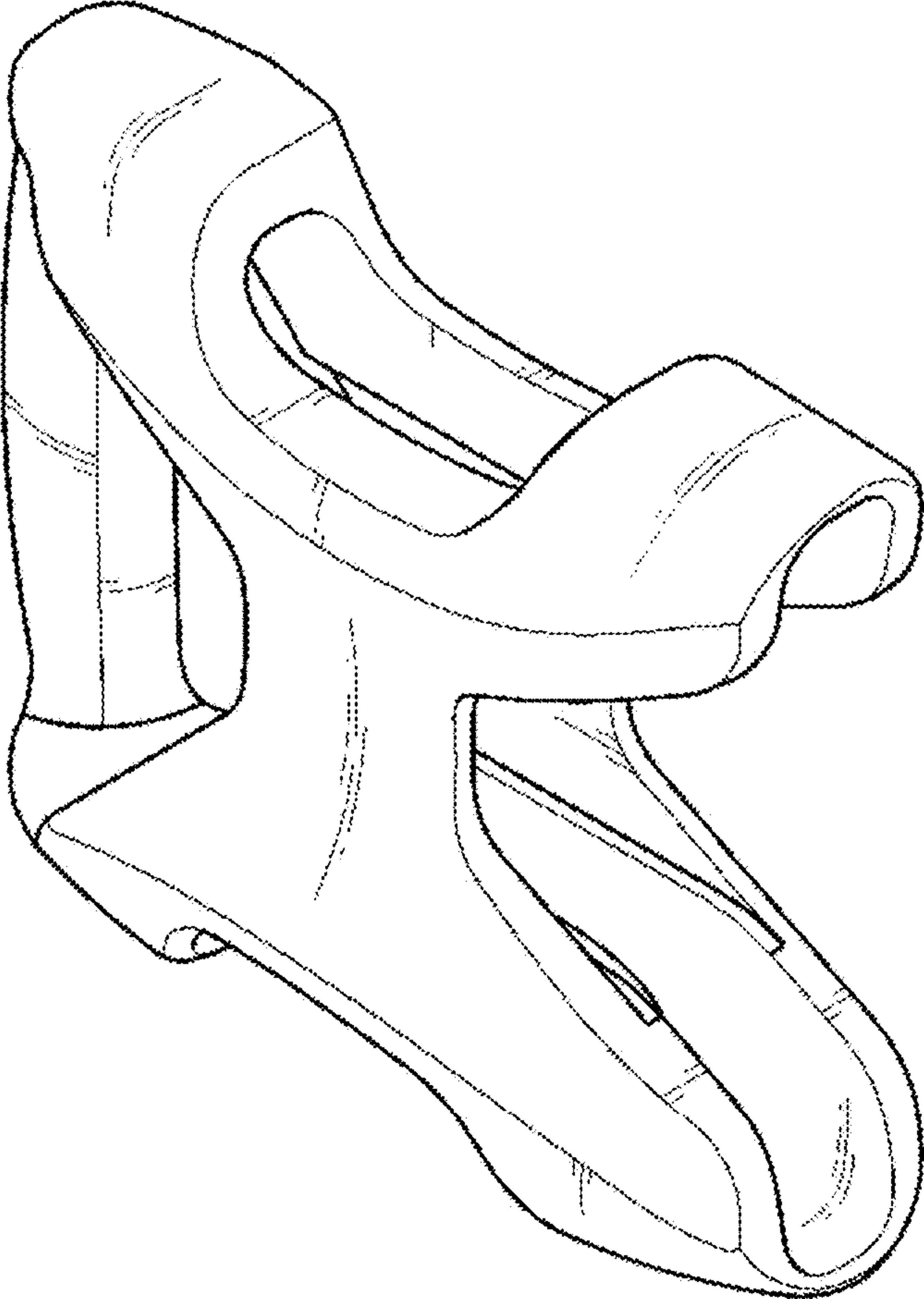
D637,941 S \* 5/2011 Paik ..... D11/216  
 D646,999 S \* 10/2011 Kawaguchi ..... D11/218  
 D671,445 S \* 11/2012 Paik ..... D11/216  
 D685,292 S \* 7/2013 Kataguchi ..... D11/216  
 D686,530 S \* 7/2013 Paik ..... D11/216  
 D688,157 S \* 8/2013 Kao ..... D11/216  
 8,522,409 B2 \* 9/2013 Uehara ..... A44B 11/266  
 24/604  
 D701,139 S \* 3/2014 Kadoishi ..... D11/216  
 D703,094 S \* 4/2014 Nanbu ..... D11/216  
 D715,186 S \* 10/2014 Kung ..... D11/216  
 D731,357 S \* 6/2015 Fujii ..... D11/216  
 D739,301 S \* 9/2015 Takazakura ..... D11/216  
 D739,783 S \* 9/2015 Liu ..... D11/216  
 D740,718 S \* 10/2015 Liu ..... D11/216  
 D784,851 S \* 4/2017 Lin ..... D11/216  
 D813,088 S \* 3/2018 Paik ..... D11/216

10,051,921 B2 \* 8/2018 Chun ..... F21V 31/005  
 D847,606 S \* 5/2019 Heinemann ..... D8/331  
 2005/0235469 A1 \* 10/2005 Anscher ..... A44B 11/266  
 24/615  
 2008/0134479 A1 \* 6/2008 Kolasa ..... A44B 11/266  
 24/625  
 2009/0056089 A1 \* 3/2009 Yoshie ..... A44B 11/266  
 24/616  
 2011/0173783 A1 \* 7/2011 Kaneko ..... A44B 11/266  
 24/615  
 2014/0259573 A1 \* 9/2014 Kawaguchi ..... A44B 11/2592  
 24/664  
 2018/0213891 A1 \* 8/2018 Paik ..... A44B 11/18

FOREIGN PATENT DOCUMENTS

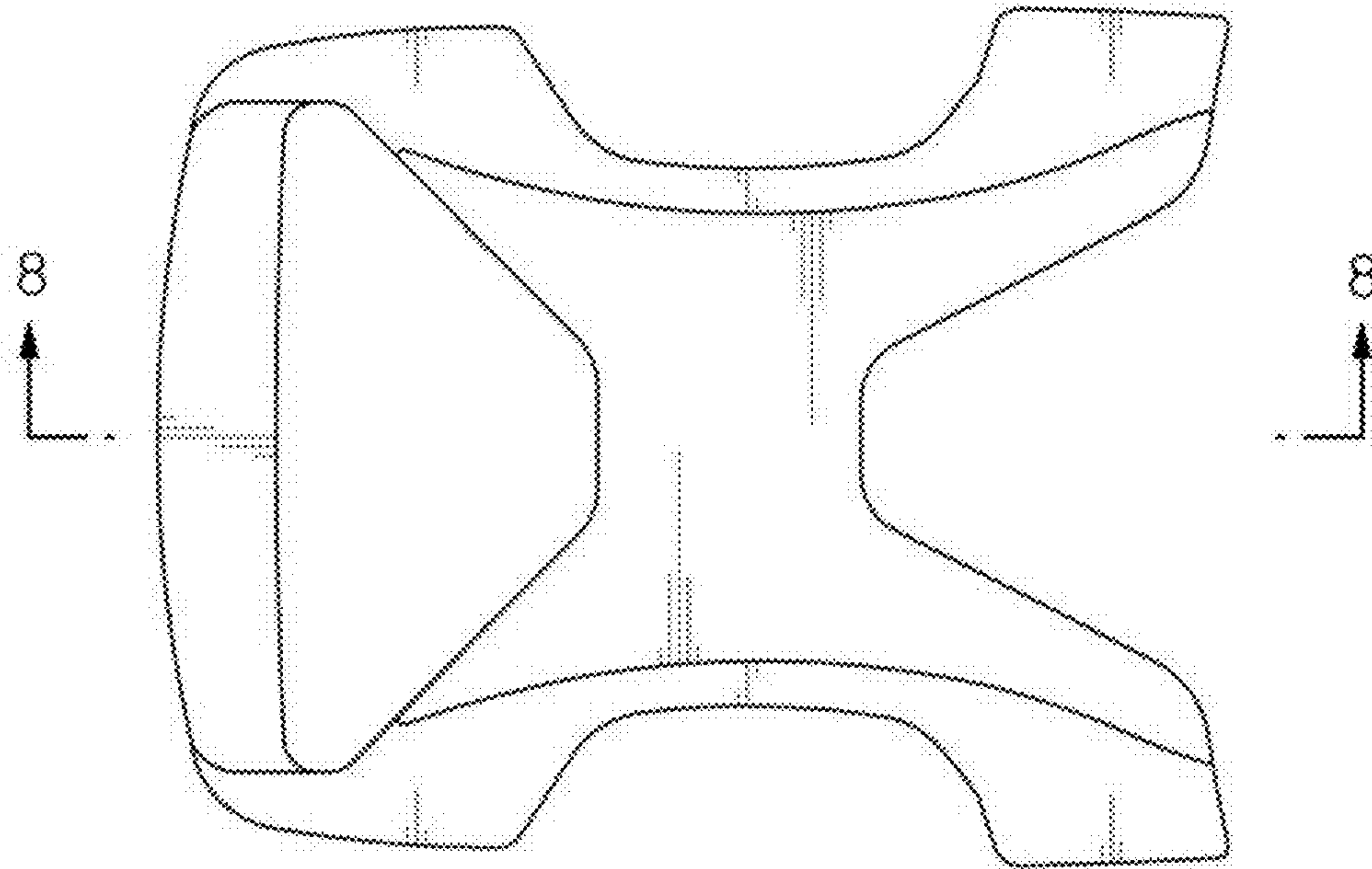
EM 001227433-0001 \* 9/2010  
 KR 3020120002639 \* 7/2012  
 KR 3020180026969 \* 4/2019

\* cited by examiner

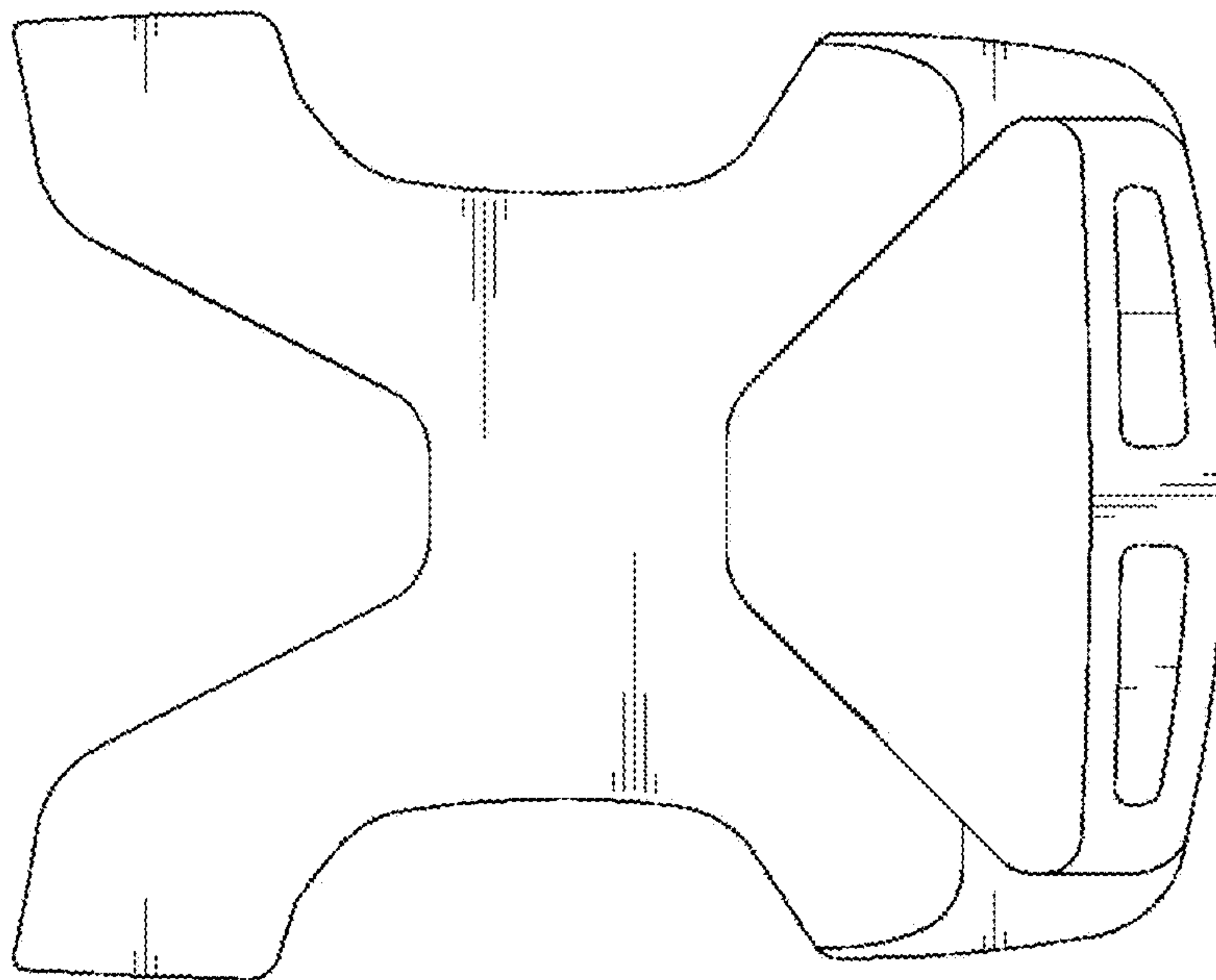


**FIG. 1**

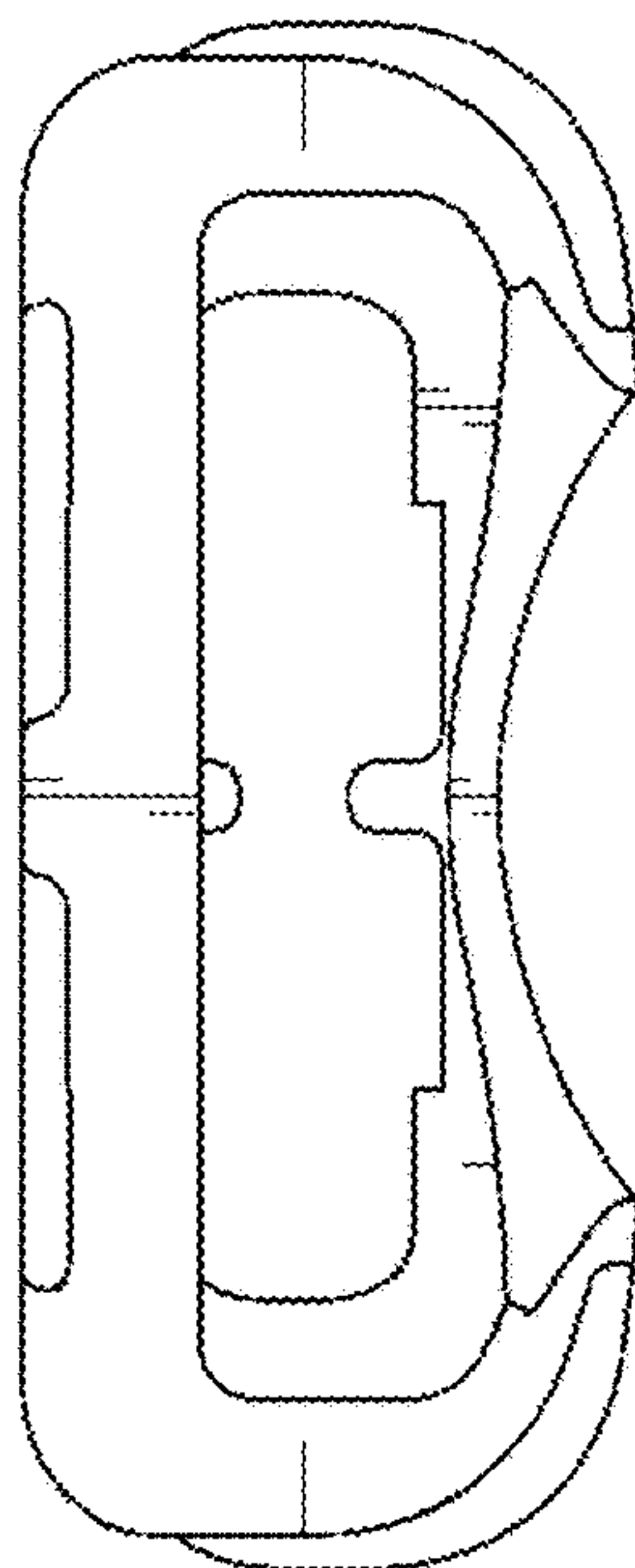




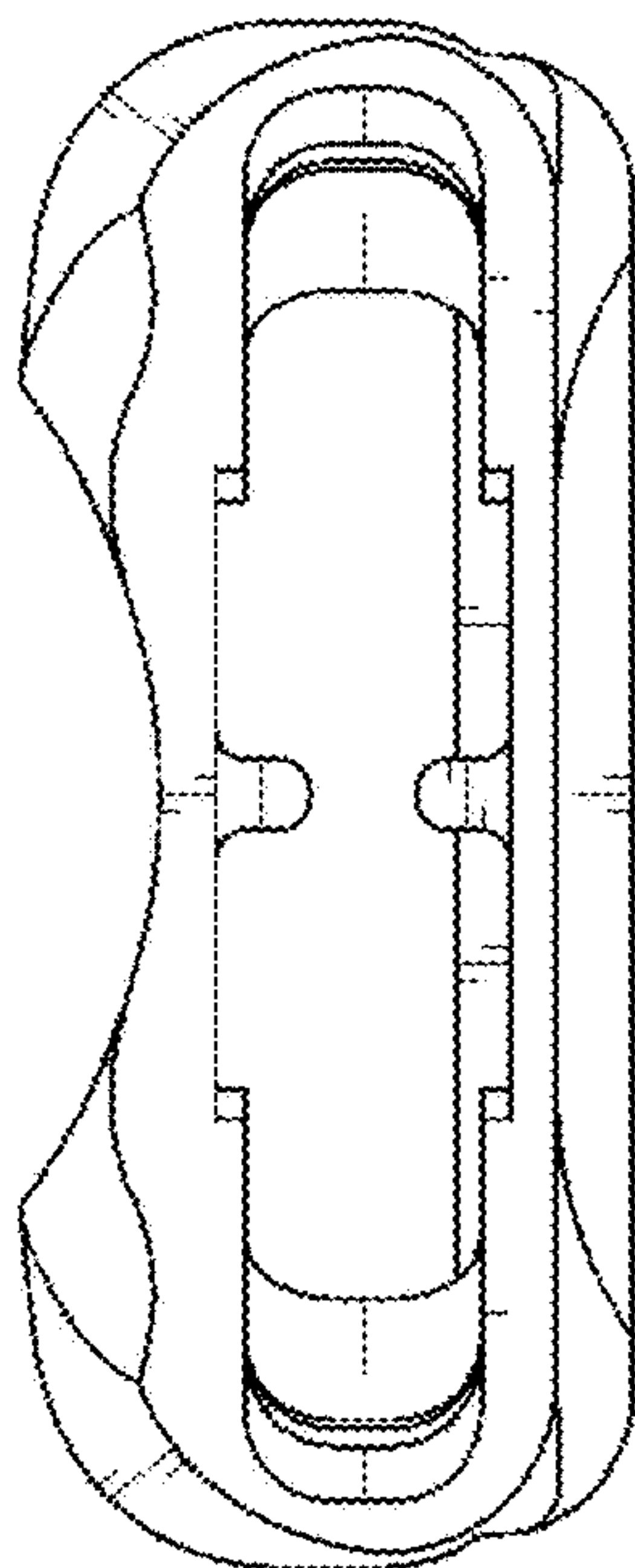
**FIG. 2**



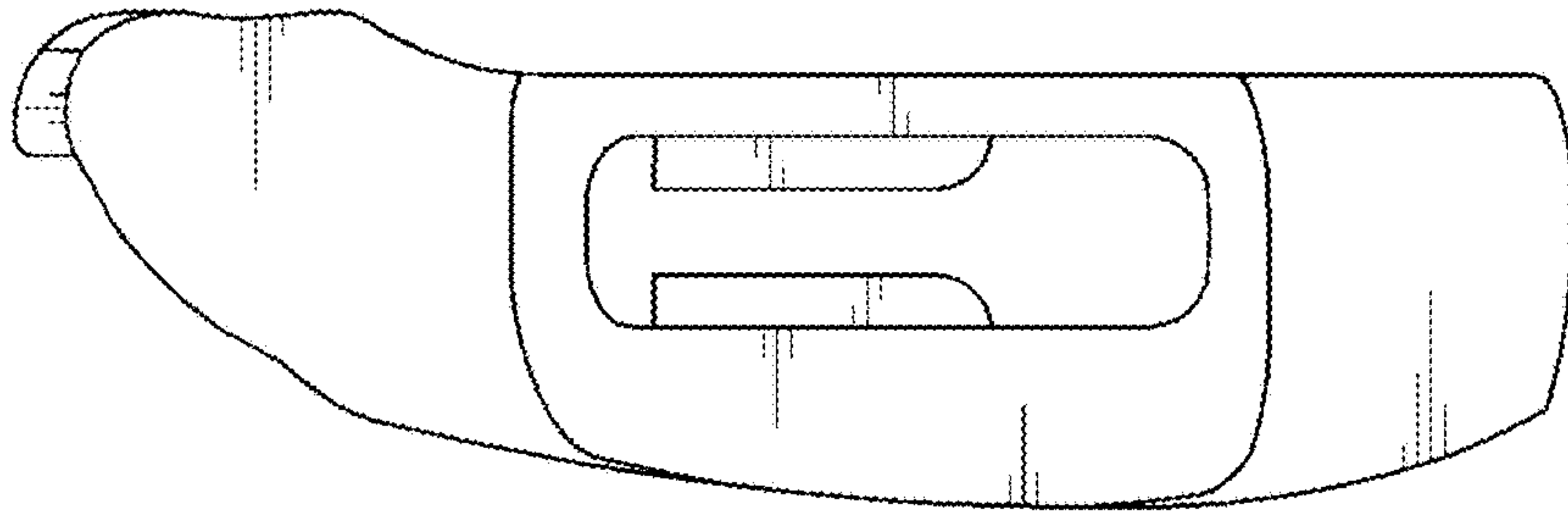
**FIG. 3**



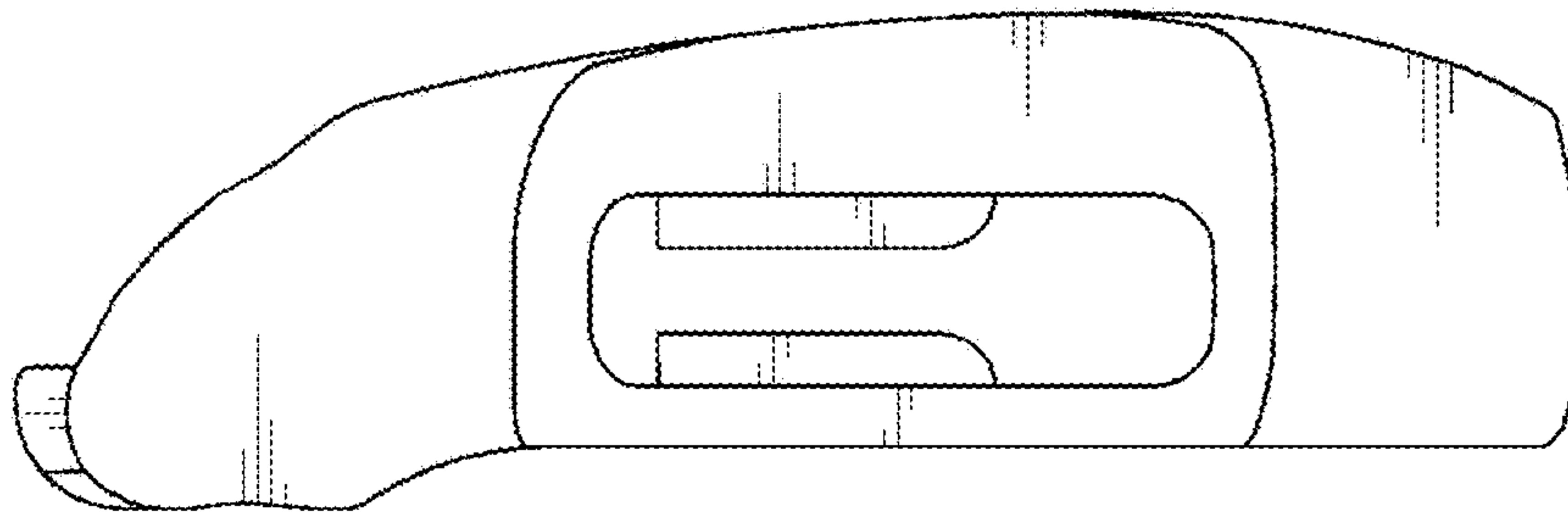
**FIG. 4**



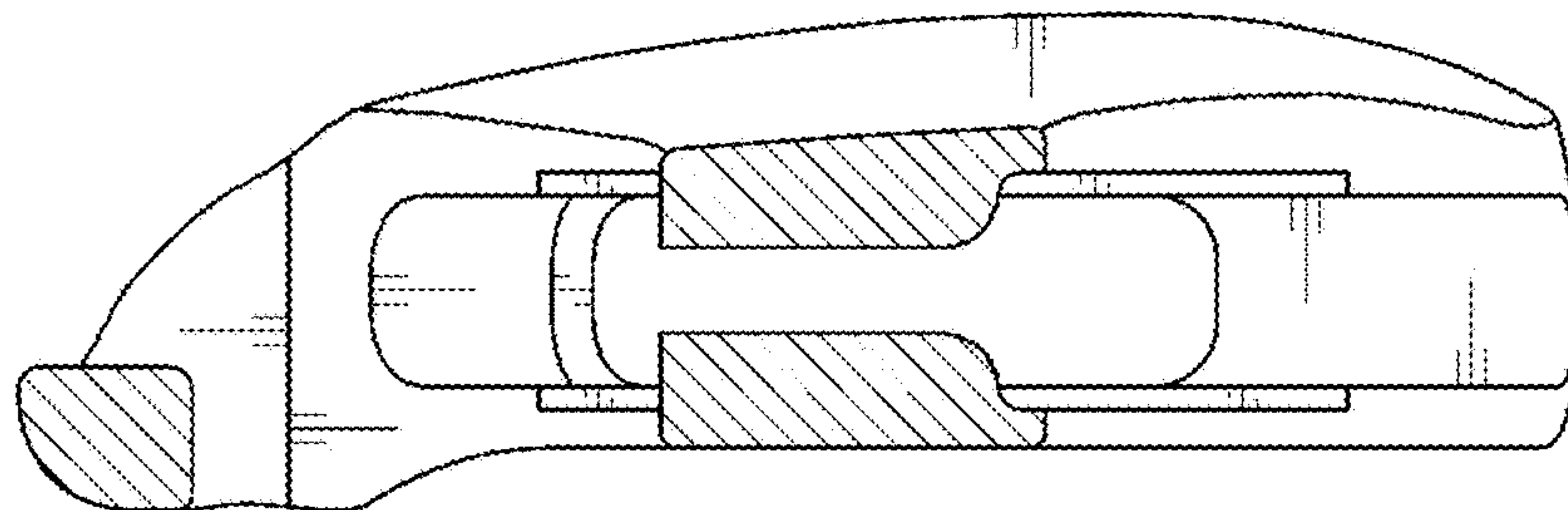
**FIG. 5**



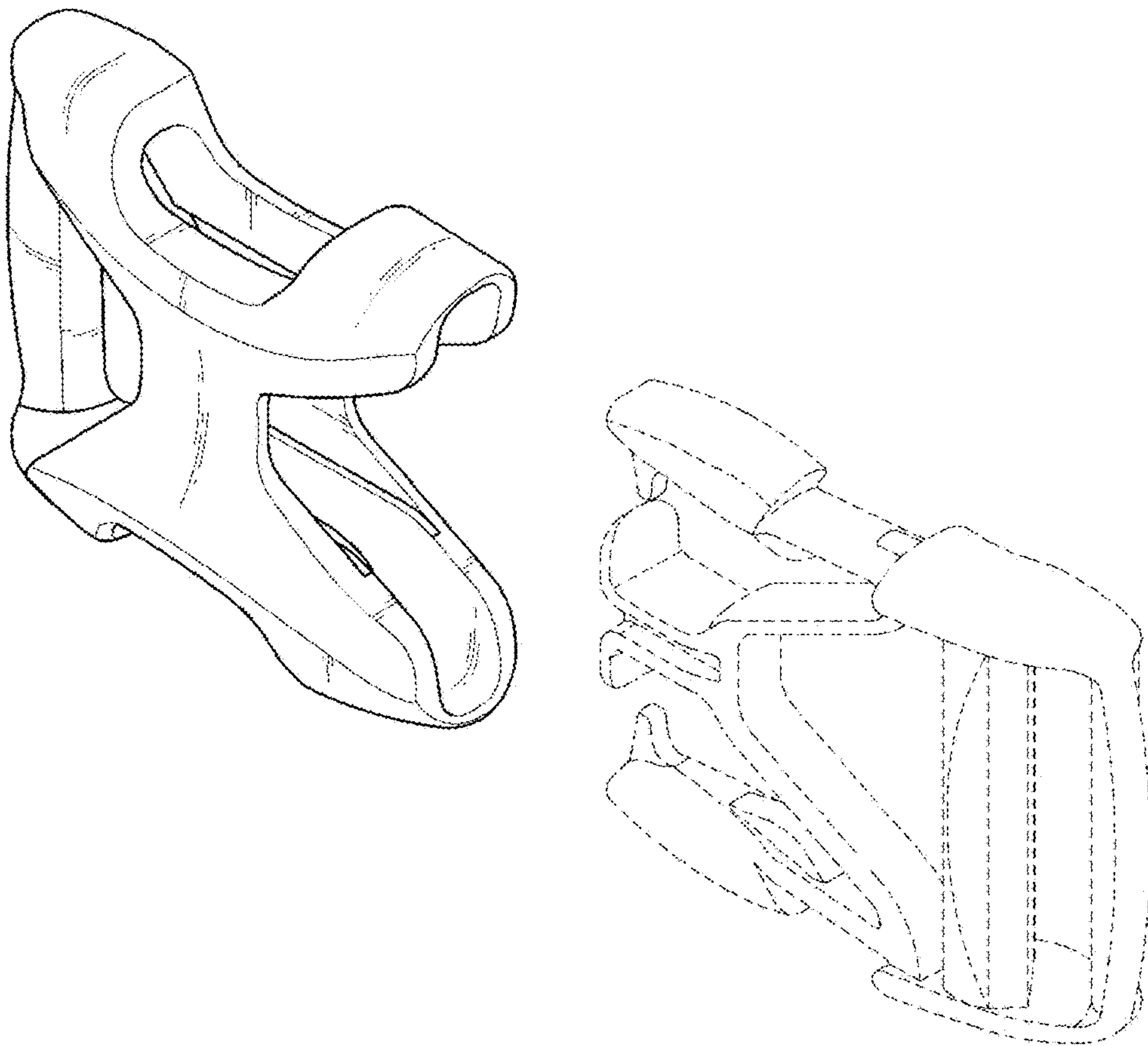
**FIG. 6**



**FIG. 7**

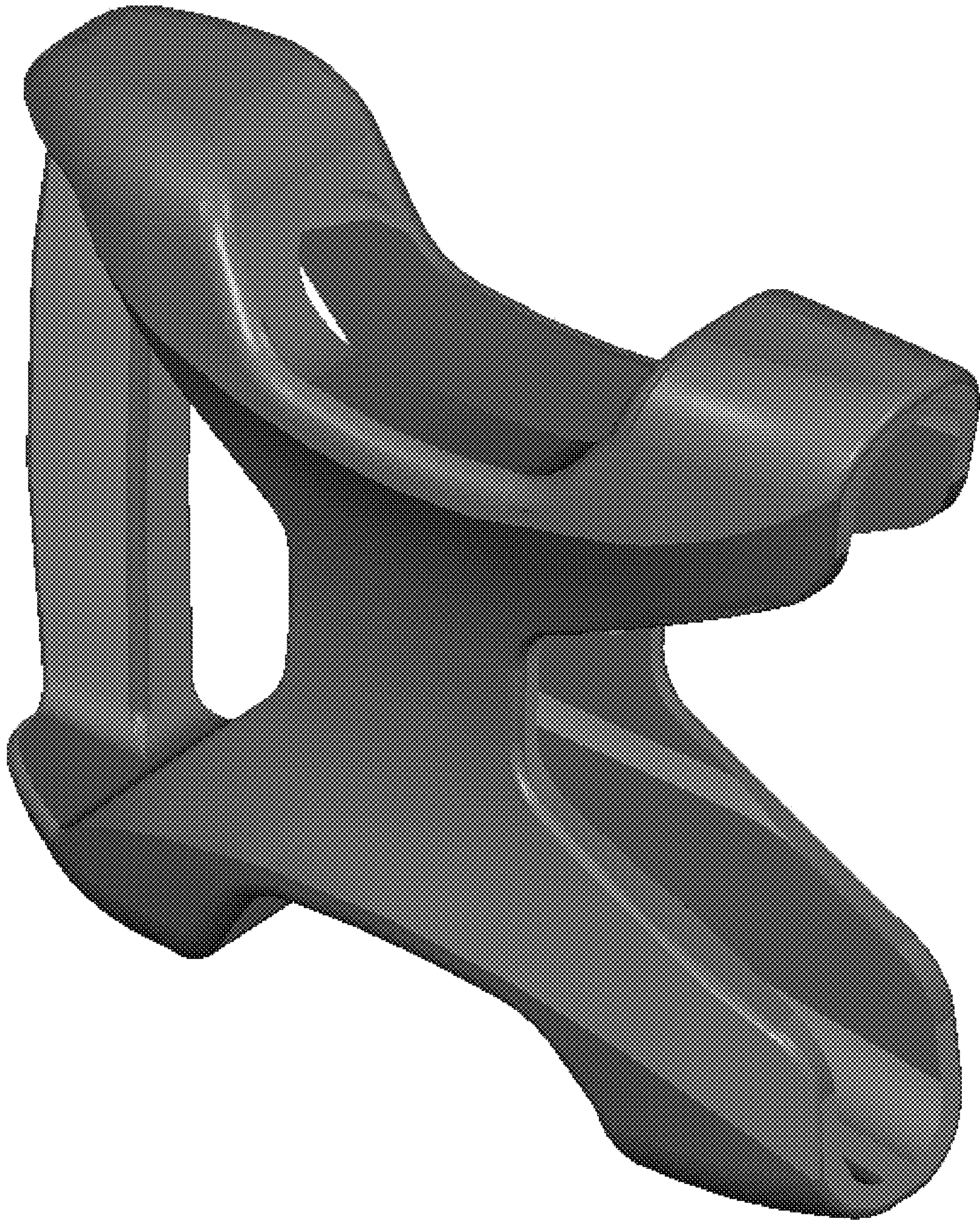


**FIG. 8**



**FIG. 9**





**FIG. 10**



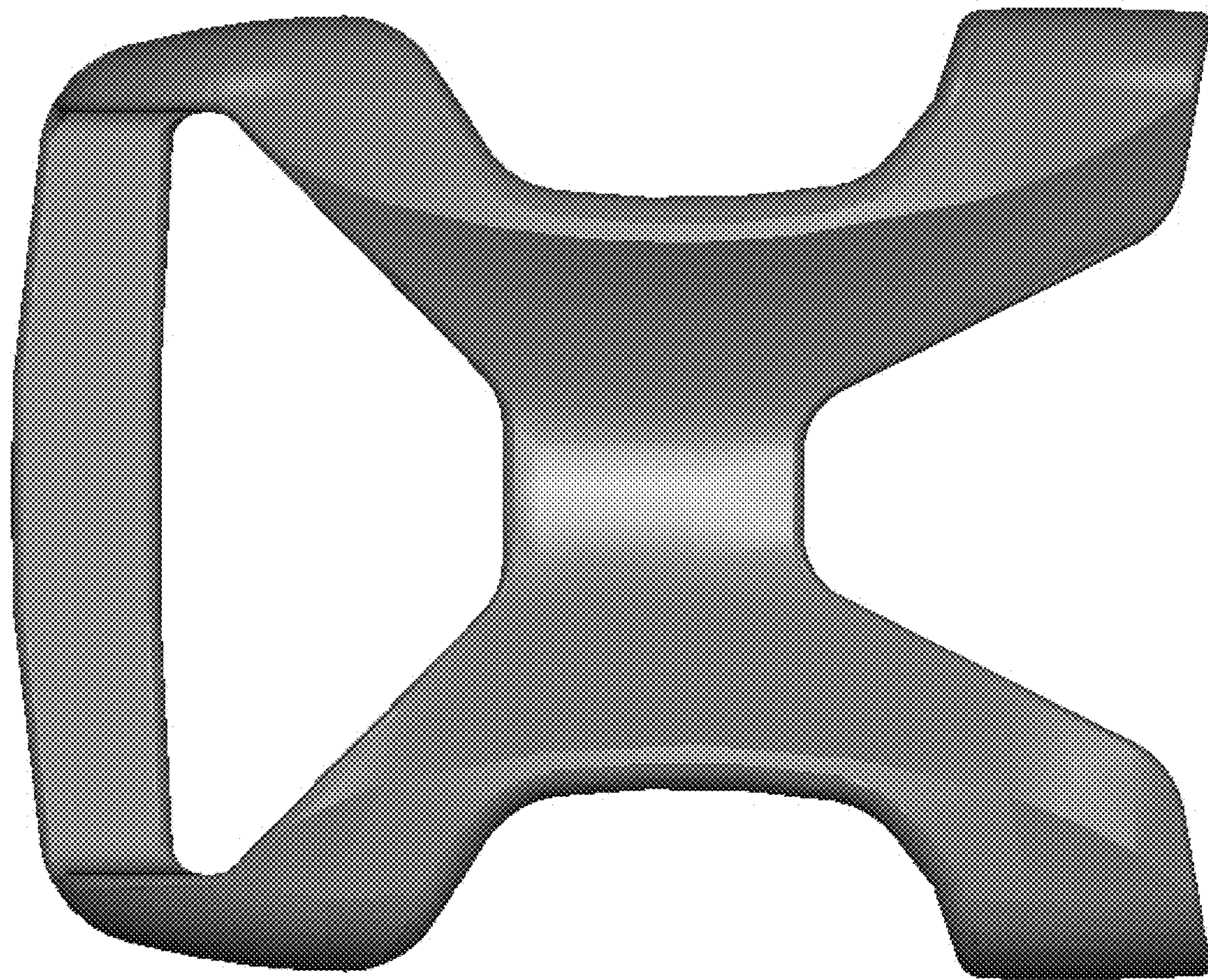


FIG. 11



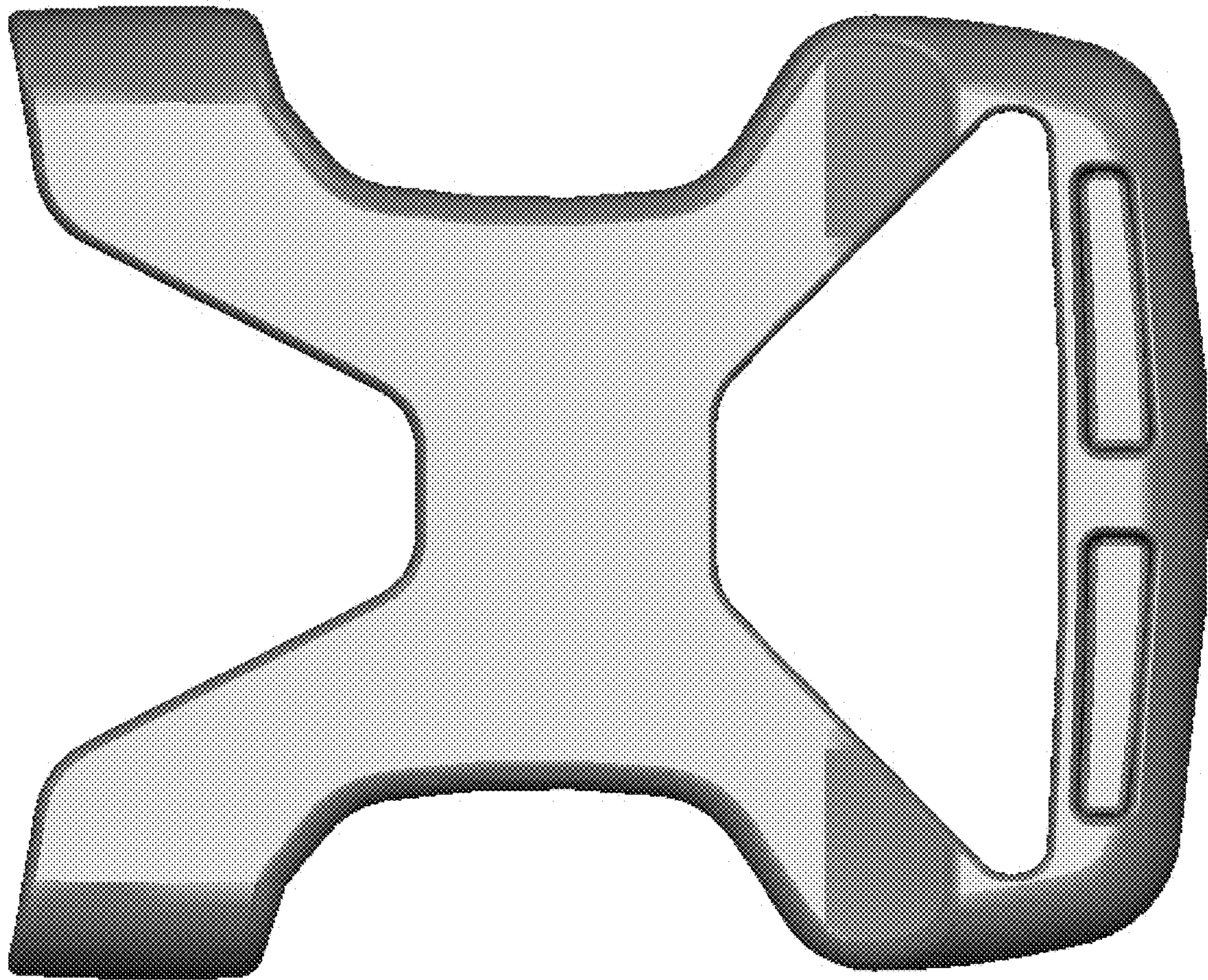
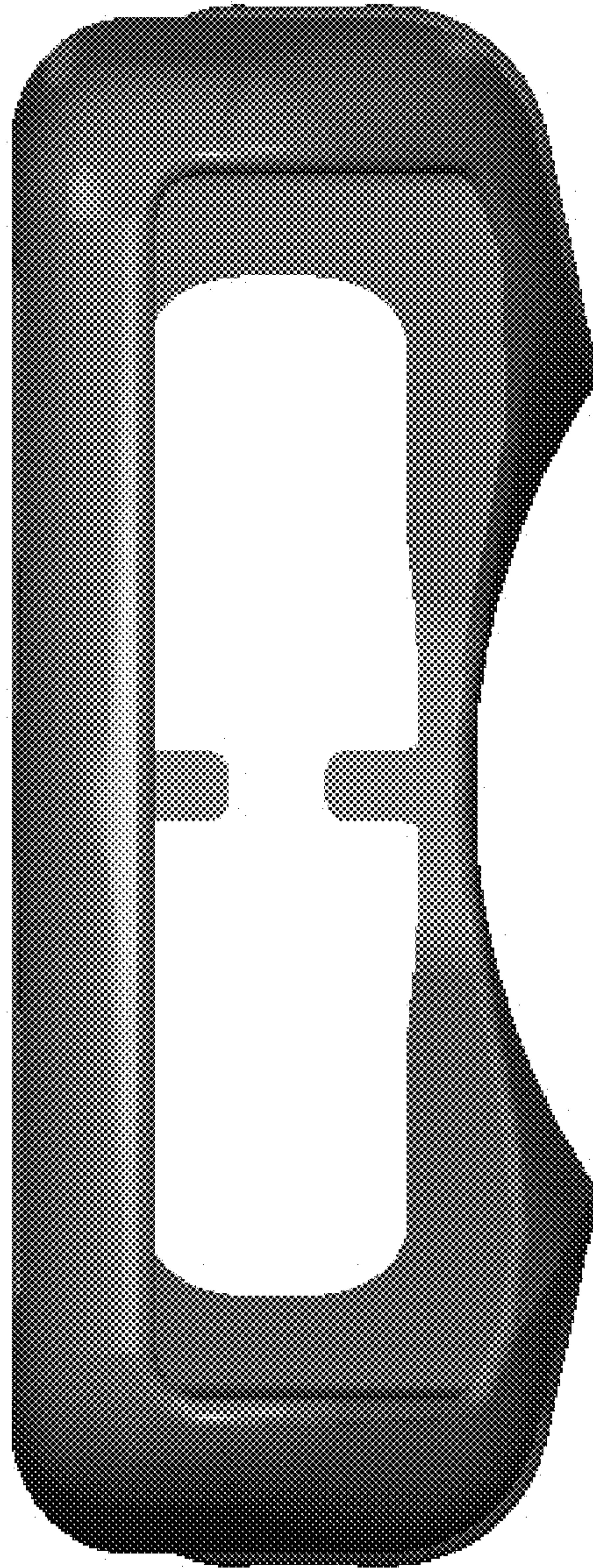


FIG. 12





**FIG. 13**



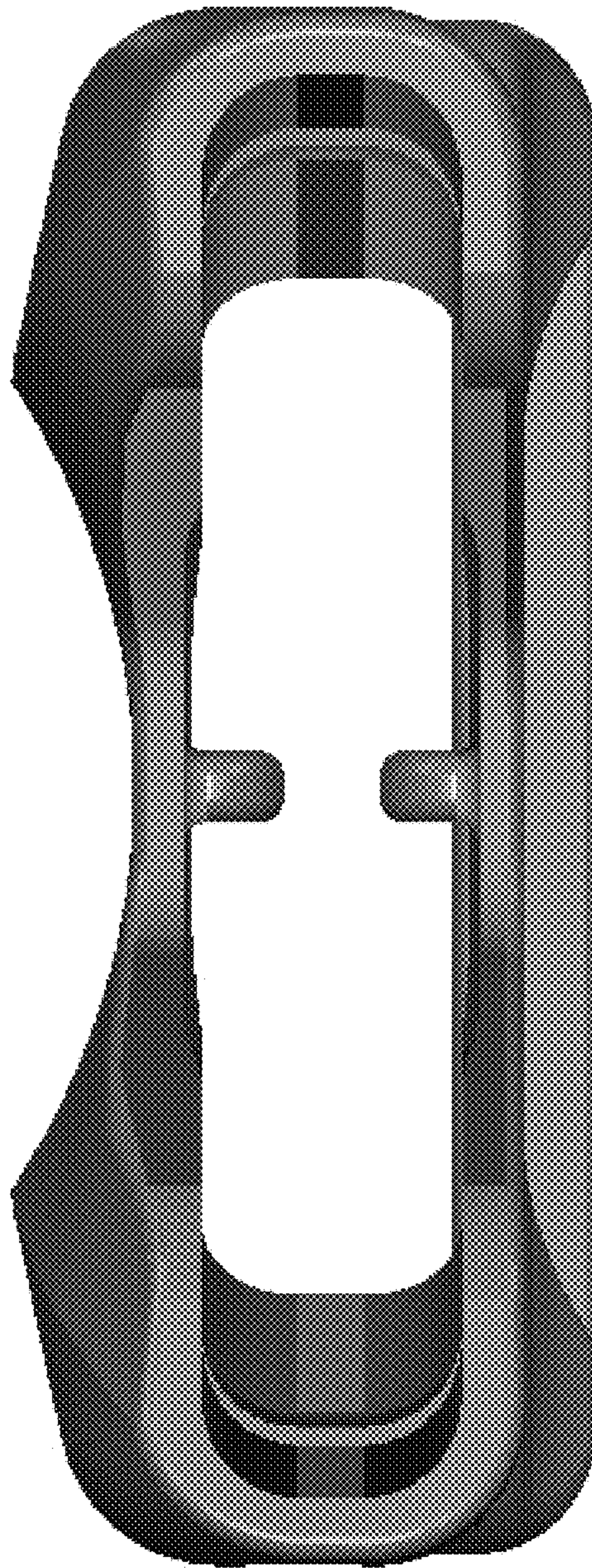


FIG. 14



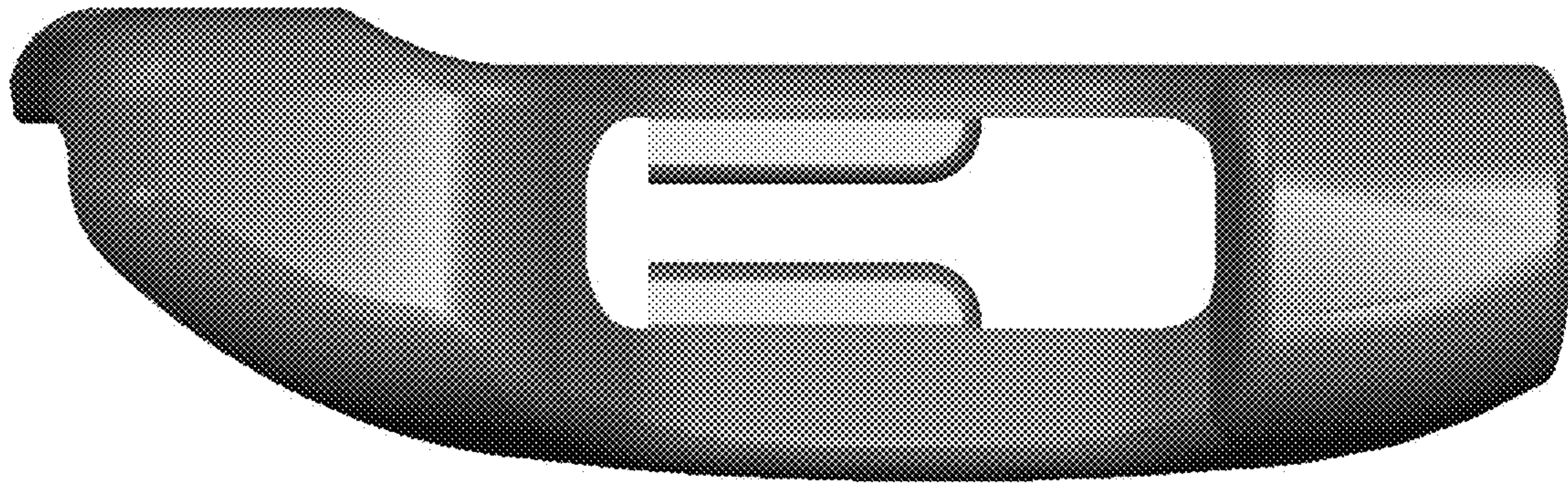


FIG. 15

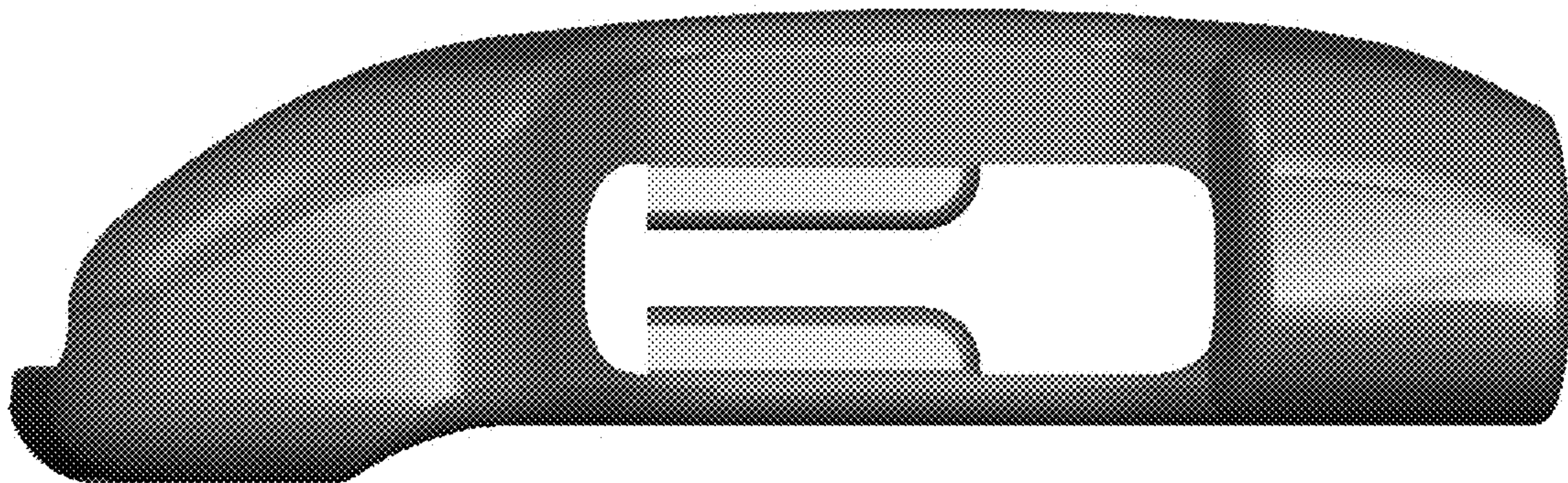


FIG. 16