



US00D862282S

(12) **United States Design Patent**
Hung et al.

(10) **Patent No.:** **US D862,282 S**
(45) **Date of Patent:** **** Oct. 8, 2019**

(54) **PLANTER AND PACKAGE COMBINATION**

(71) Applicant: **ATT Southern, Inc.**, Camp Hill, PA (US)

(72) Inventors: **Chun Hung**, Dillsburg, PA (US); **Brian Leahy**, Atlanta, GA (US); **Patrick Guillory**, Smyrna, GA (US); **Phillip Lemke**, Schuylkill Haven, PA (US); **John Carpenter**, Camp Hill, PA (US)

(73) Assignee: **ATT Southern, Inc.**, Camp Hill, PA (US)

(**) Term: **15 Years**

(21) Appl. No.: **29/586,077**

(22) Filed: **Nov. 30, 2016**

Related U.S. Application Data

(63) Continuation-in-part of application No. 29/567,117, filed on Jun. 6, 2016, now Pat. No. Des. 837,094.

(51) **LOC (12) Cl.** **11-02**

(52) **U.S. Cl.**
USPC **D11/152**

(58) **Field of Classification Search**
USPC D11/151, 154, 156, 152, 157, 143, 148, D11/425; D6/403, 405, 513, 556, 572,
(Continued)

(56) **References Cited**

U.S. PATENT DOCUMENTS

1,059,359 A 4/1913 Hahn
1,116,694 A 11/1914 Hahn

(Continued)

Primary Examiner — Karen S Acker

Assistant Examiner — Steven B Reinholdt, Jr.

(74) *Attorney, Agent, or Firm* — Brooks Kushman P.C.

(57) **CLAIM**

The ornamental design for a planter and package combination, as shown and described.

DESCRIPTION

FIG. 1 is a top perspective view of a planter and package combination according to a first embodiment of our new design;

FIG. 2 is a bottom perspective view of the planter and package combination of FIG. 1;

FIG. 3 is a top plan view of the planter and package combination of FIG. 1;

FIG. 4 is a bottom view of the planter and package combination of FIG. 1;

FIG. 5 is a front side elevation view of the planter and package combination of FIG. 1; the rear side elevation view is a mirror image thereof;

FIG. 6 is a left side elevation view of the planter and package combination of FIG. 1;

FIG. 7 is a right side elevation view of the planter and package combination of FIG. 1;

FIG. 8 is a top perspective view of a second embodiment of the planter and package combination, wherein a transparent bag is placed over the planter;

FIG. 9 is a bottom perspective view of the planter and package combination of FIG. 8;

FIG. 10 is a top plan view of the planter and package combination of FIG. 8;

FIG. 11 is a bottom view of the planter and package combination of FIG. 8;

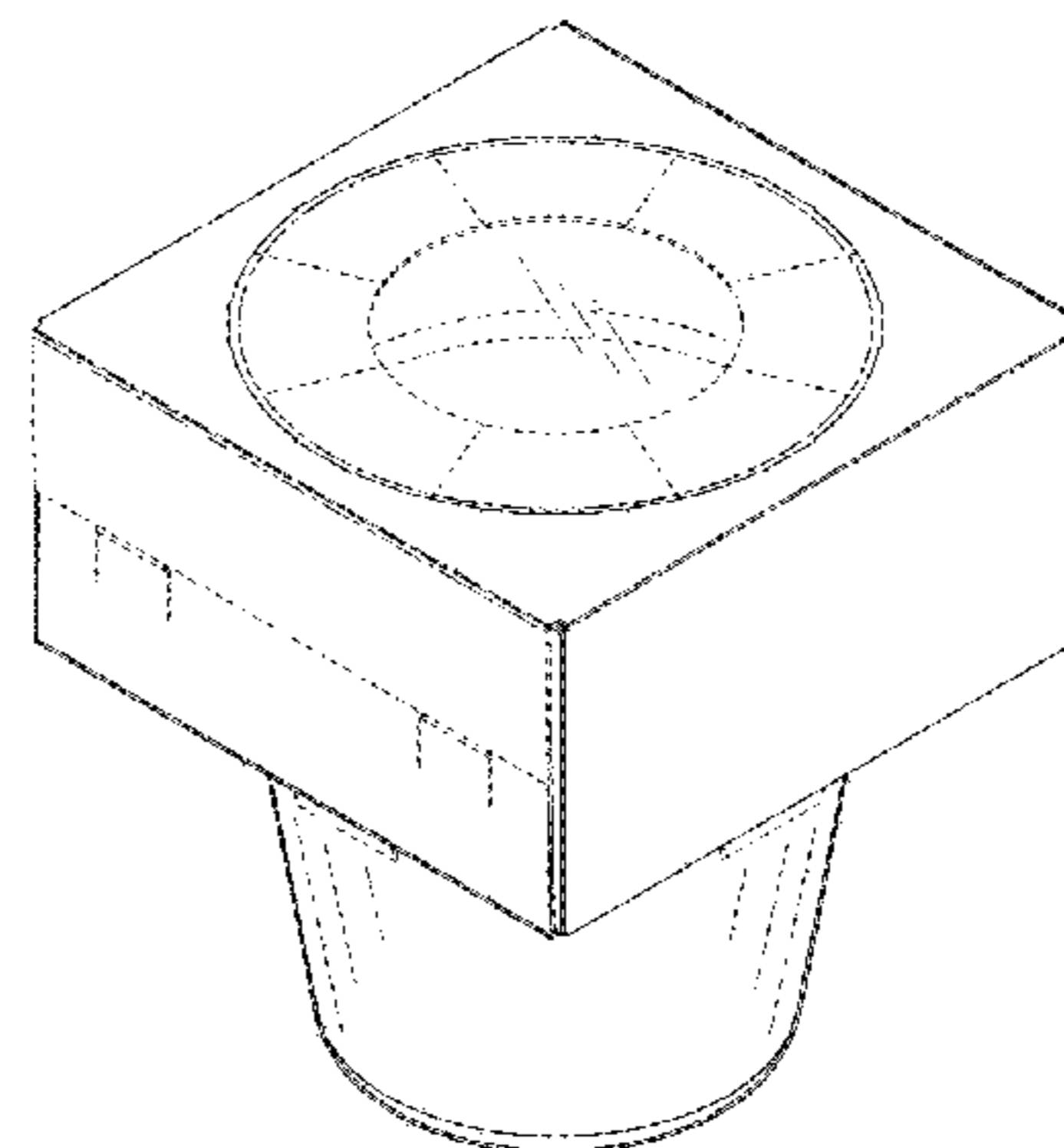
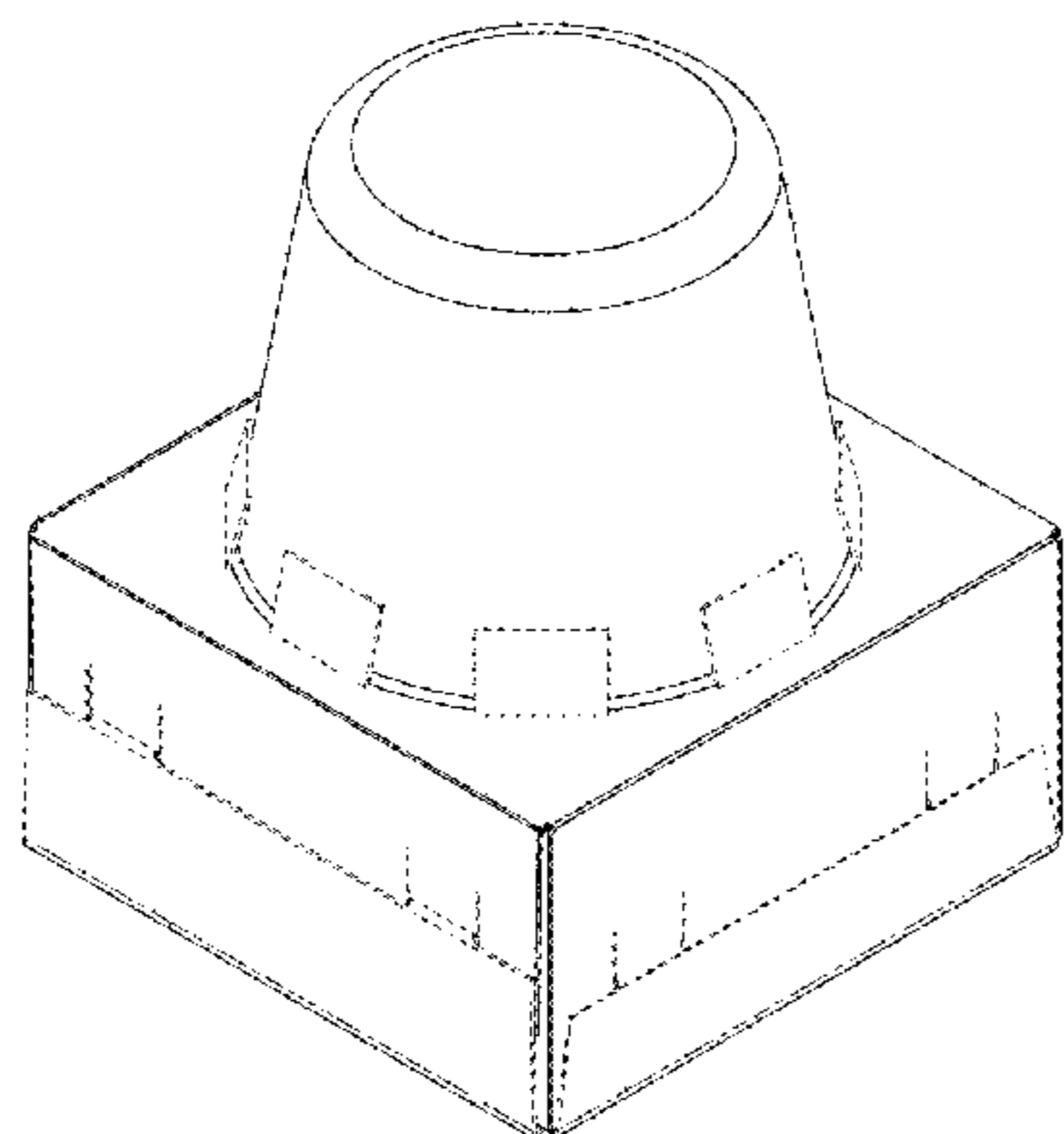
FIG. 12 is a front side elevation view of the planter and package combination of FIG. 8; the rear side elevation view is a mirror image thereof;

FIG. 13 is a left side elevation view of the planter and package combination of FIG. 8; and,

FIG. 14 is a right side elevation view of the planter and package combination of FIG. 8.

Parts of the article surrounded by broken lines are portions of the planter and package combination that are not included in the claim. Dot dash dot broken lines depict the boundaries of the claim and form no part thereof.

1 Claim, 6 Drawing Sheets



US D862,282 S

Page 2

(58) **Field of Classification Search**

USPC D6/565, 573, 675.1, 680.1; D21/338;
D23/267; D25/164; D34/7; D3/276,
D3/292, 308, 313, 315; D7/359, 550.1,
D7/554.3, 600; D8/381; D99/5; D9/425
CPC A47G 7/044; A01G 31/02
See application file for complete search history.

(56) **References Cited**

U.S. PATENT DOCUMENTS

3,414,132 A 12/1968 Cornu
D232,753 S * 9/1974 Jalakas D11/152
D238,088 S * 12/1975 Grosfillex D11/155
5,141,149 A 8/1992 Fulton
D340,204 S 10/1993 Grosfillex
D376,769 S * 12/1996 Kreidler D11/147
D392,914 S 3/1998 Friend
D399,456 S * 10/1998 Weder D11/164
D428,360 S * 7/2000 Herzog-Mesrobian D11/164
D438,487 S * 3/2001 Madden, IV D11/156

6,422,390 B1 7/2002 Humphrey
6,516,563 B1 2/2003 Matthews
D480,326 S 10/2003 Carlson
D491,061 S * 6/2004 Bouroullec D11/155
D532,715 S 11/2006 Schmidt
7,140,149 B2 11/2006 Searle et al.
D570,245 S 6/2008 McAbee
D571,688 S 6/2008 White
D686,913 S * 7/2013 Kirk D9/416
D688,589 S 8/2013 Hung et al.
D689,793 S * 9/2013 Yung D11/143
D702,548 S * 4/2014 Flury D9/425
D724,481 S 3/2015 Blouin
8,985,329 B2 3/2015 Ullrich
D745,428 S * 12/2015 Morris D11/155
D763,105 S 8/2016 Forowycz et al.
9,586,739 B2 3/2017 Jego
D801,213 S 10/2017 Kim
D808,080 S 1/2018 Corey et al.
2005/0072704 A1 4/2005 Patz et al.
2013/0036669 A1 * 2/2013 Rabii A01G 31/02
47/62 R

* cited by examiner

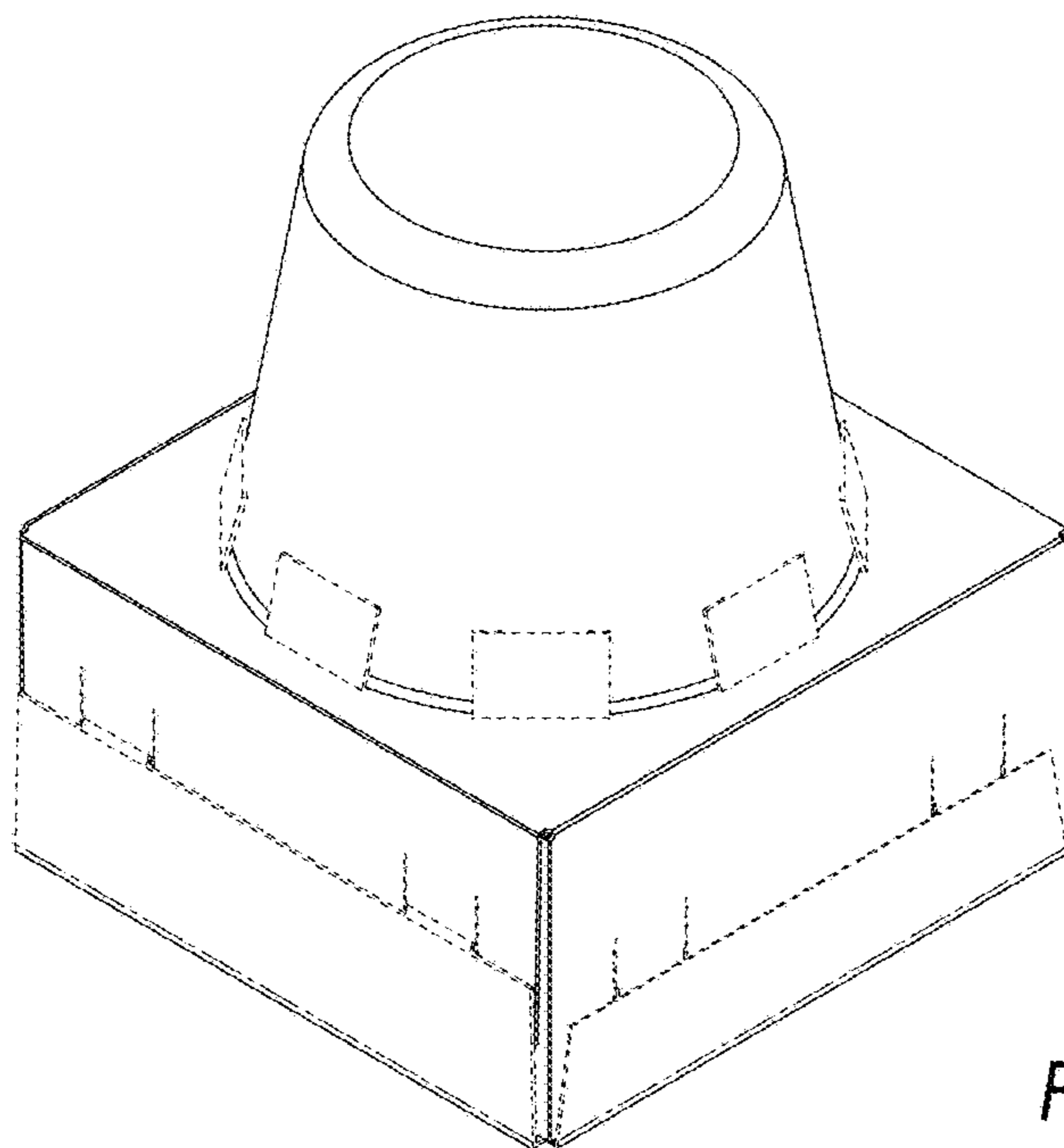


FIG. 1

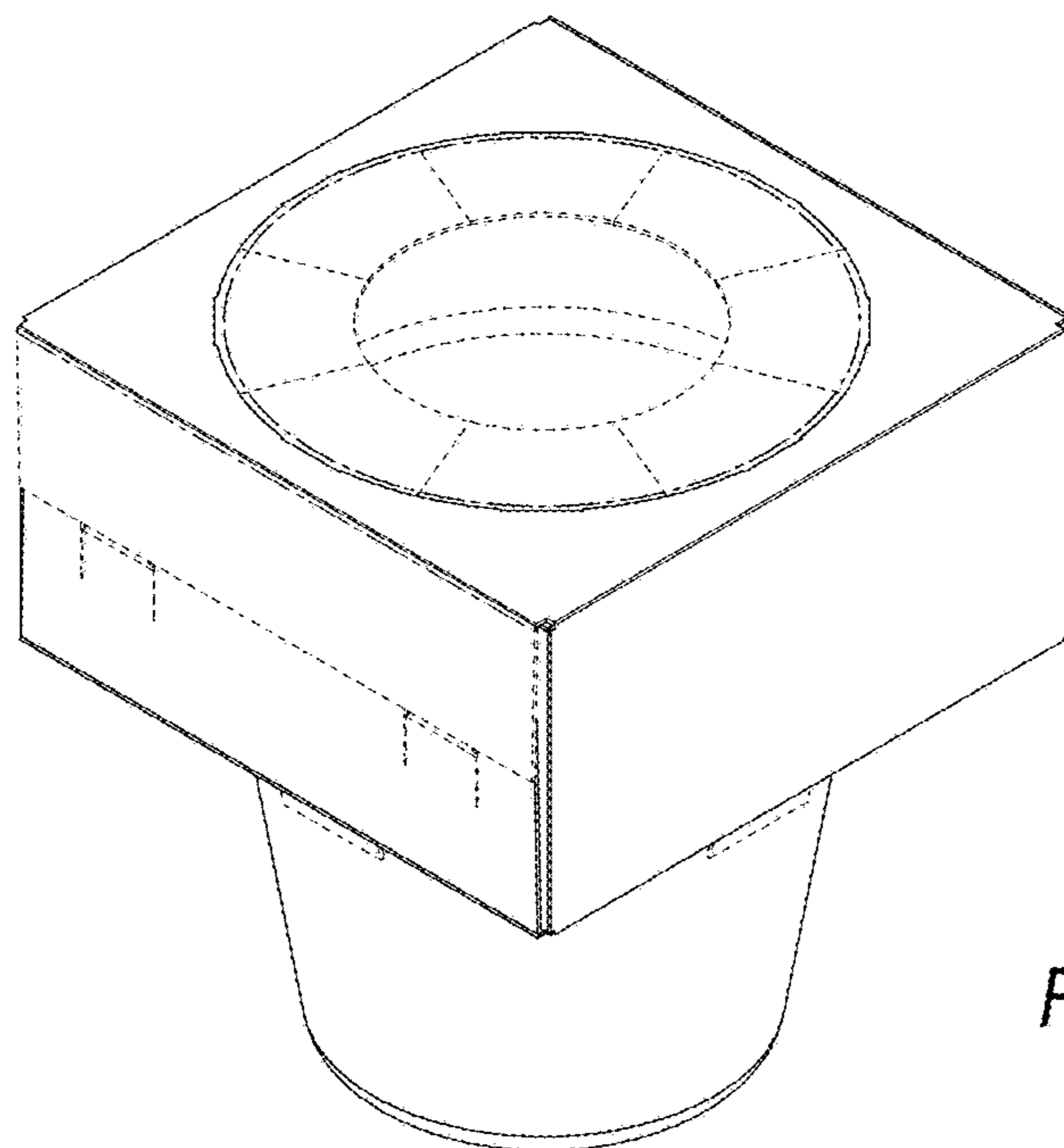


FIG. 2

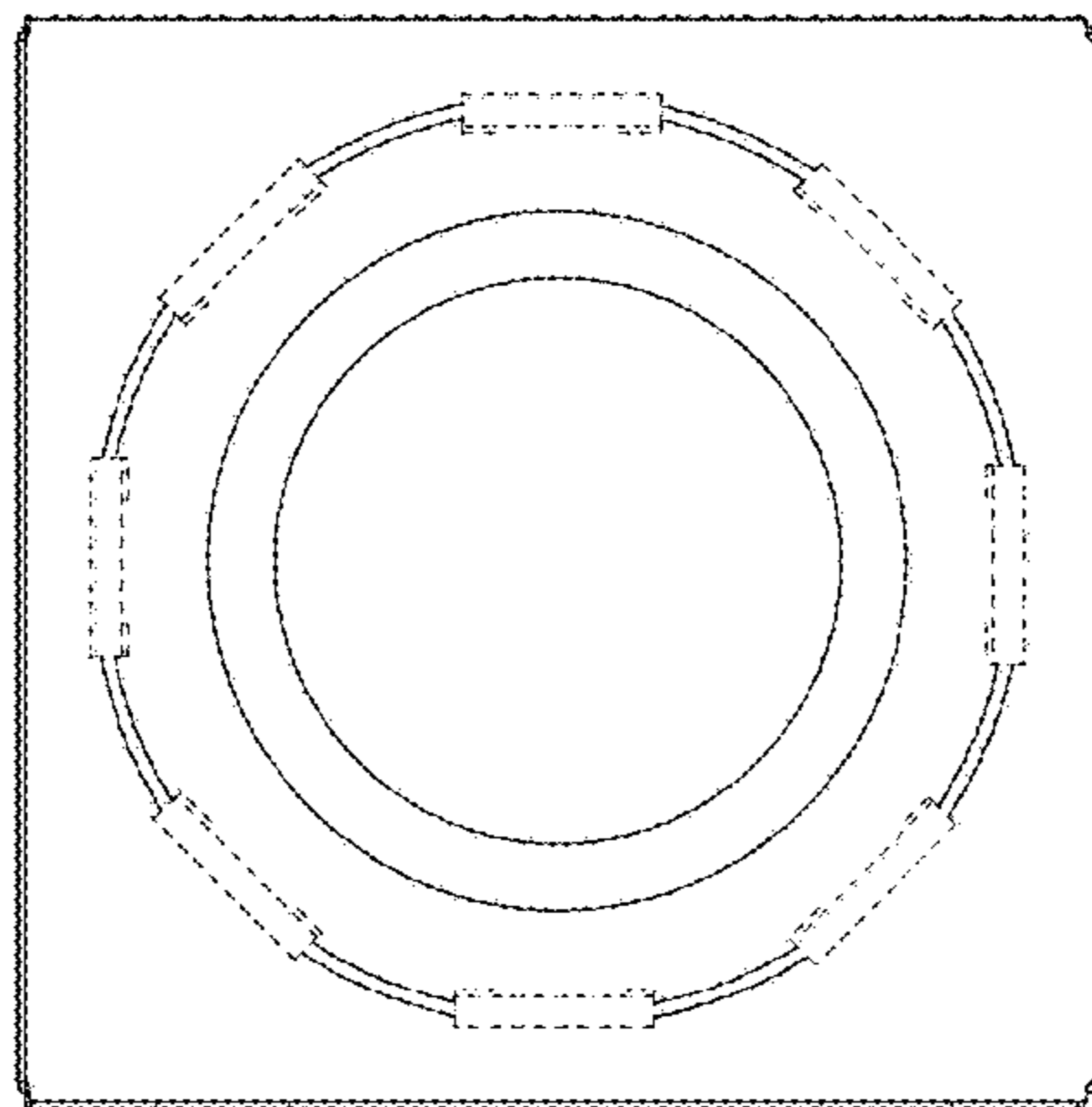


FIG. 3

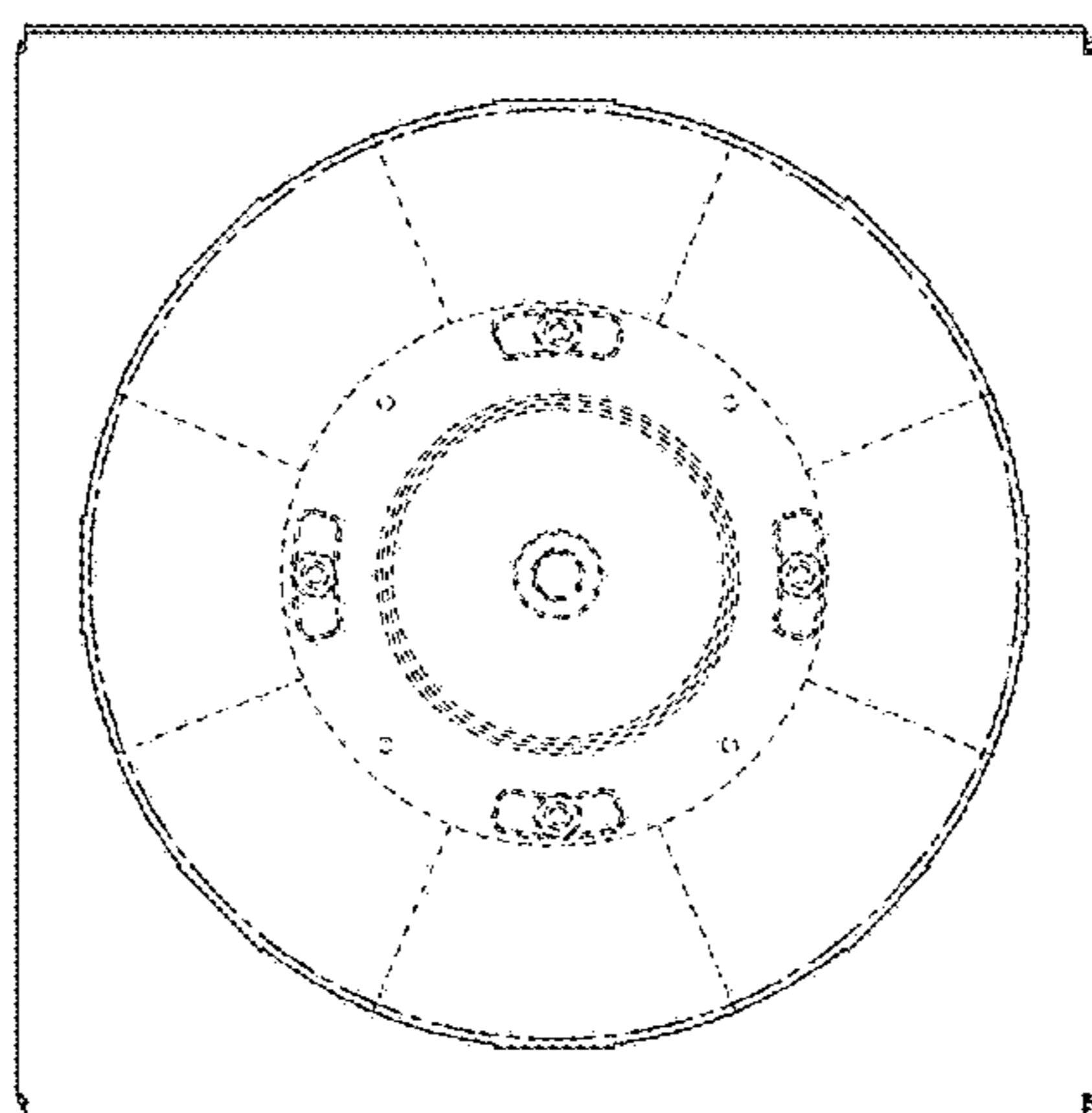


FIG. 4

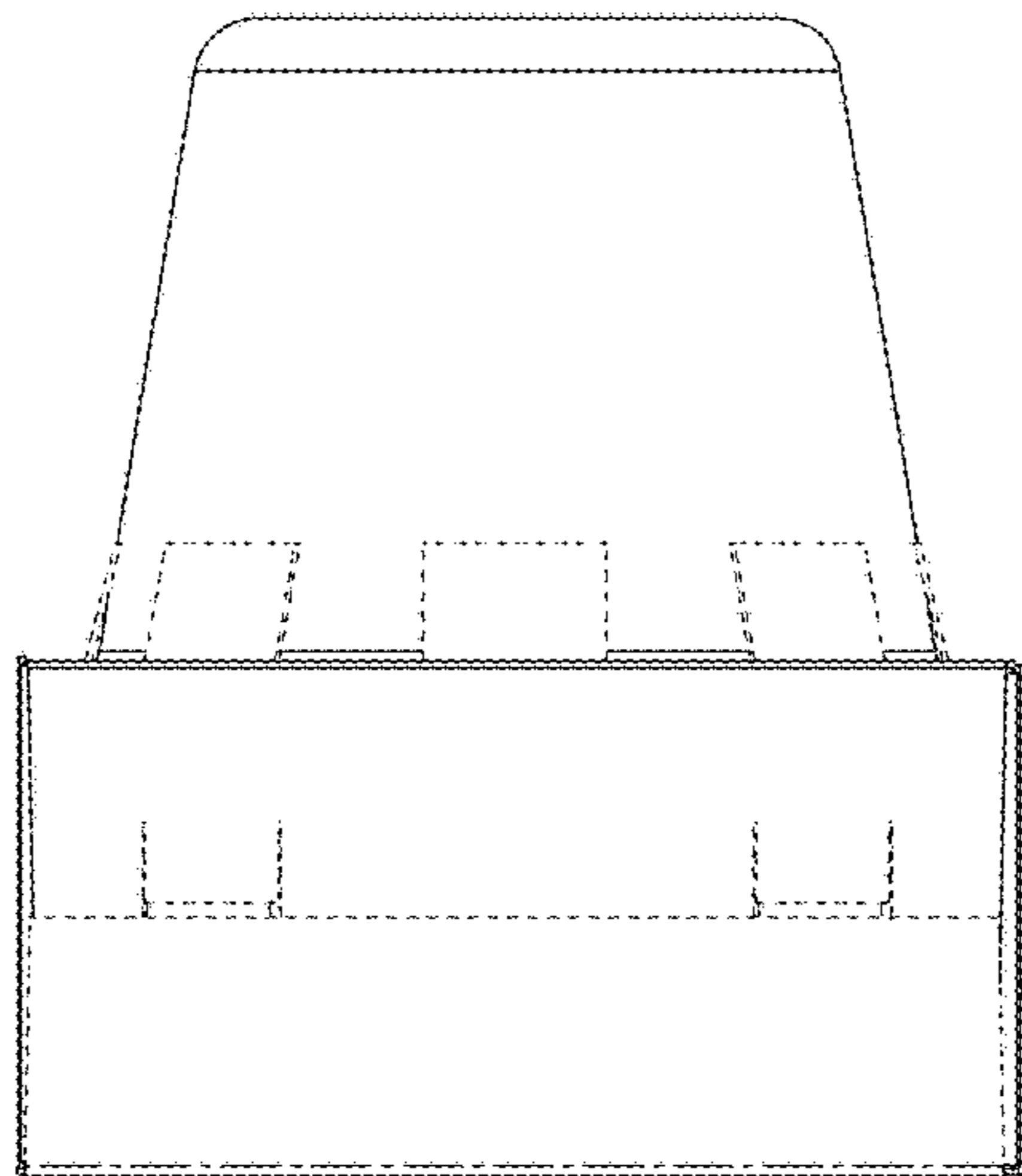


FIG. 5

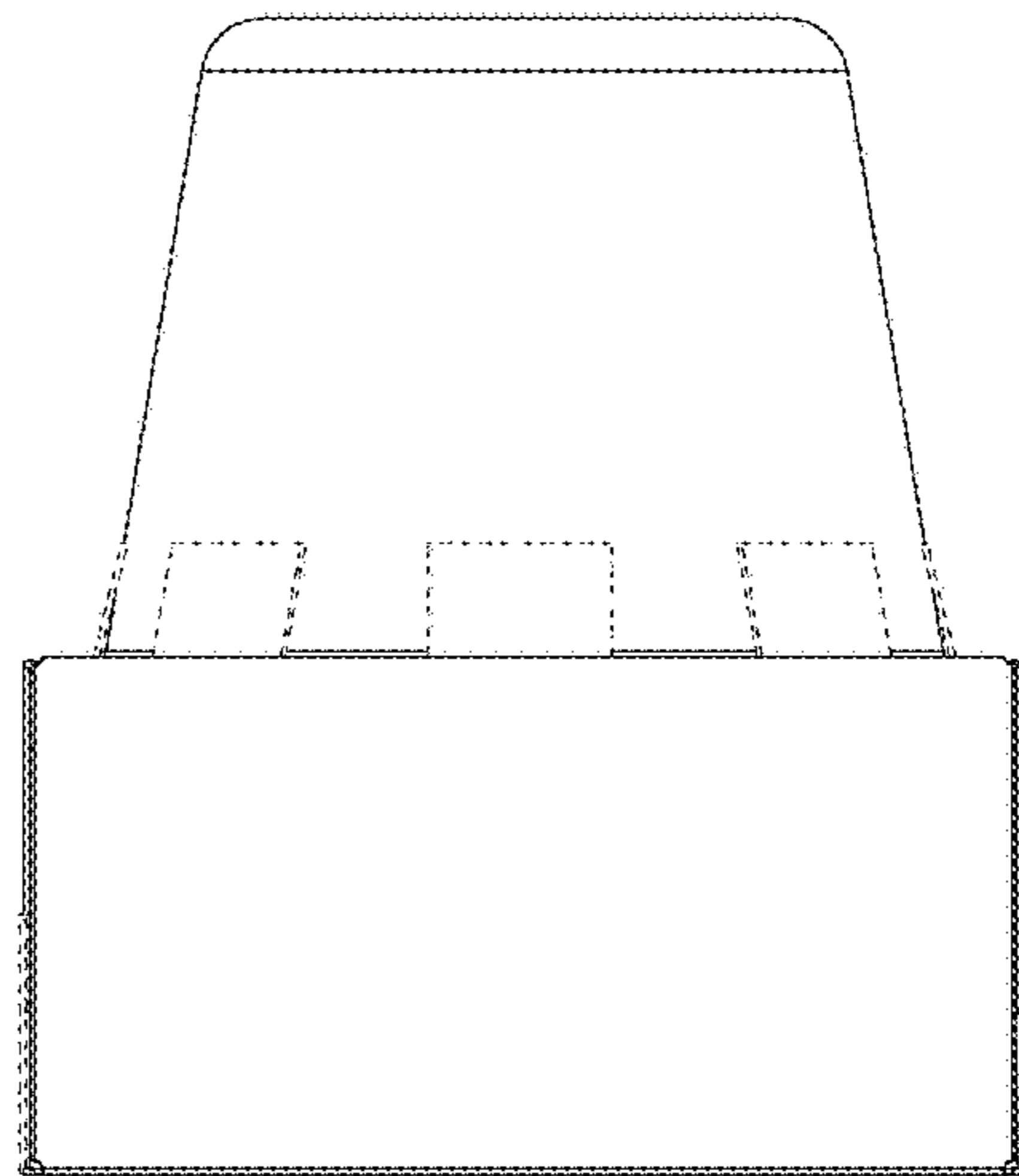


FIG. 6

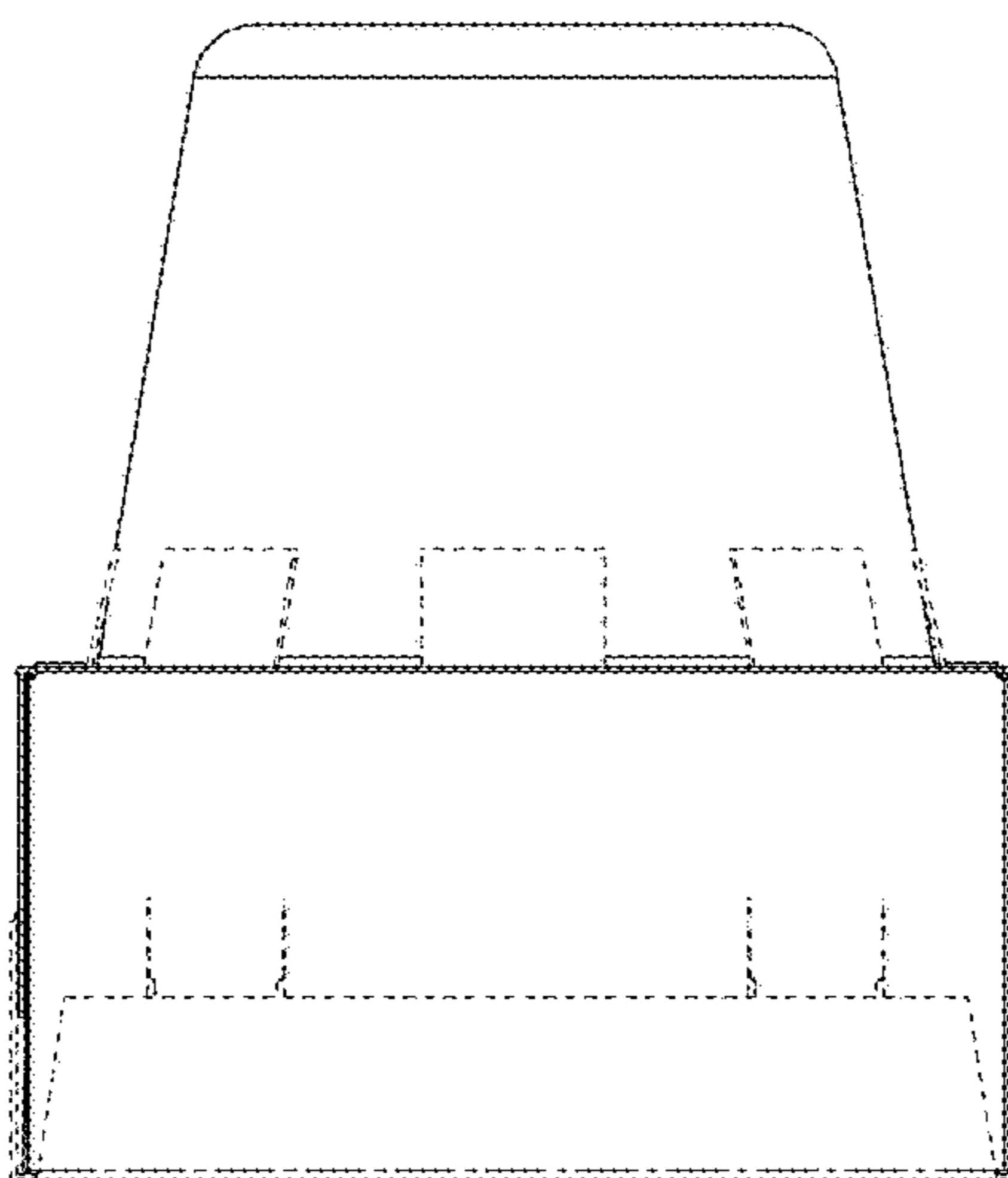


FIG. 7

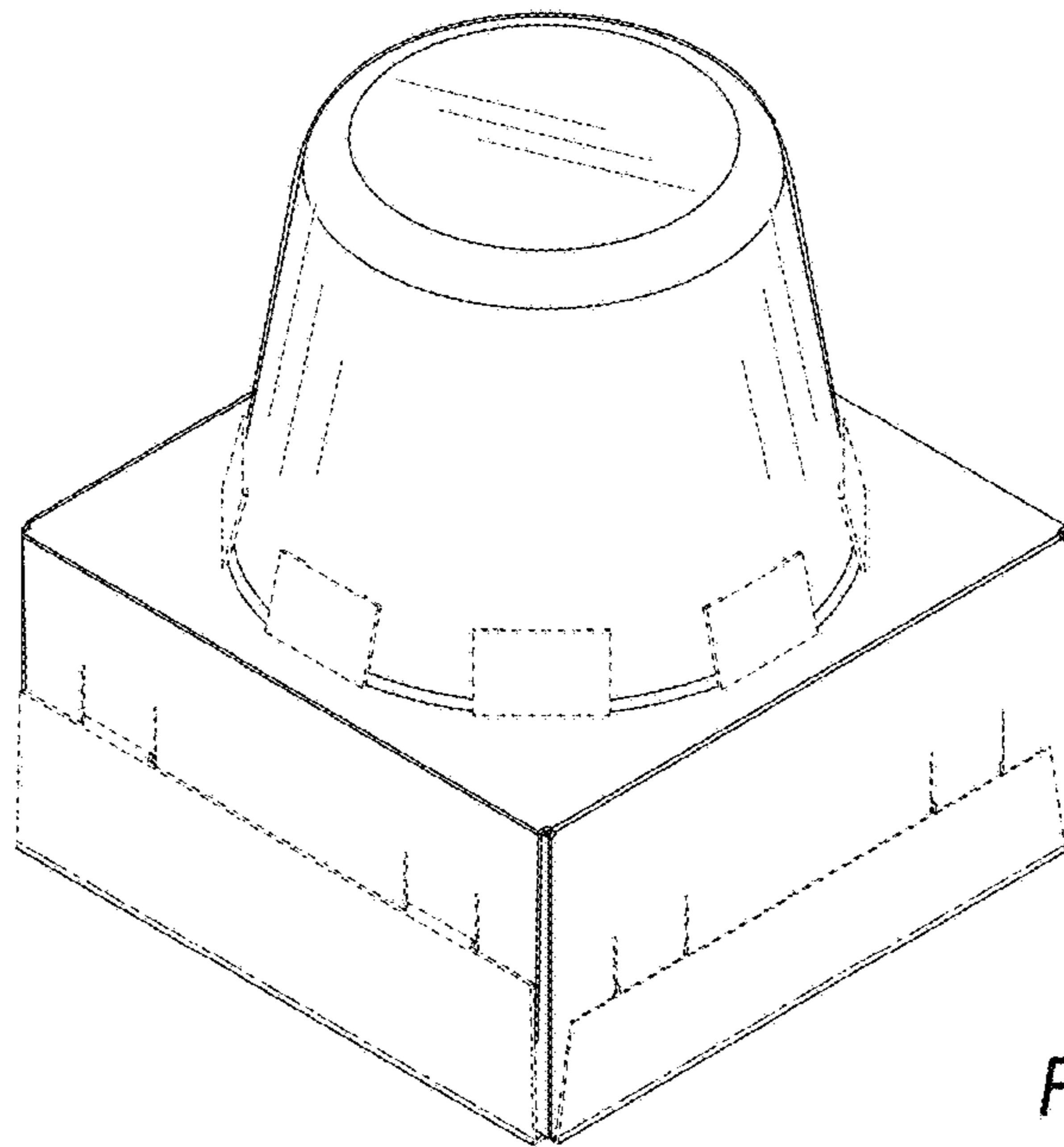


FIG. 8

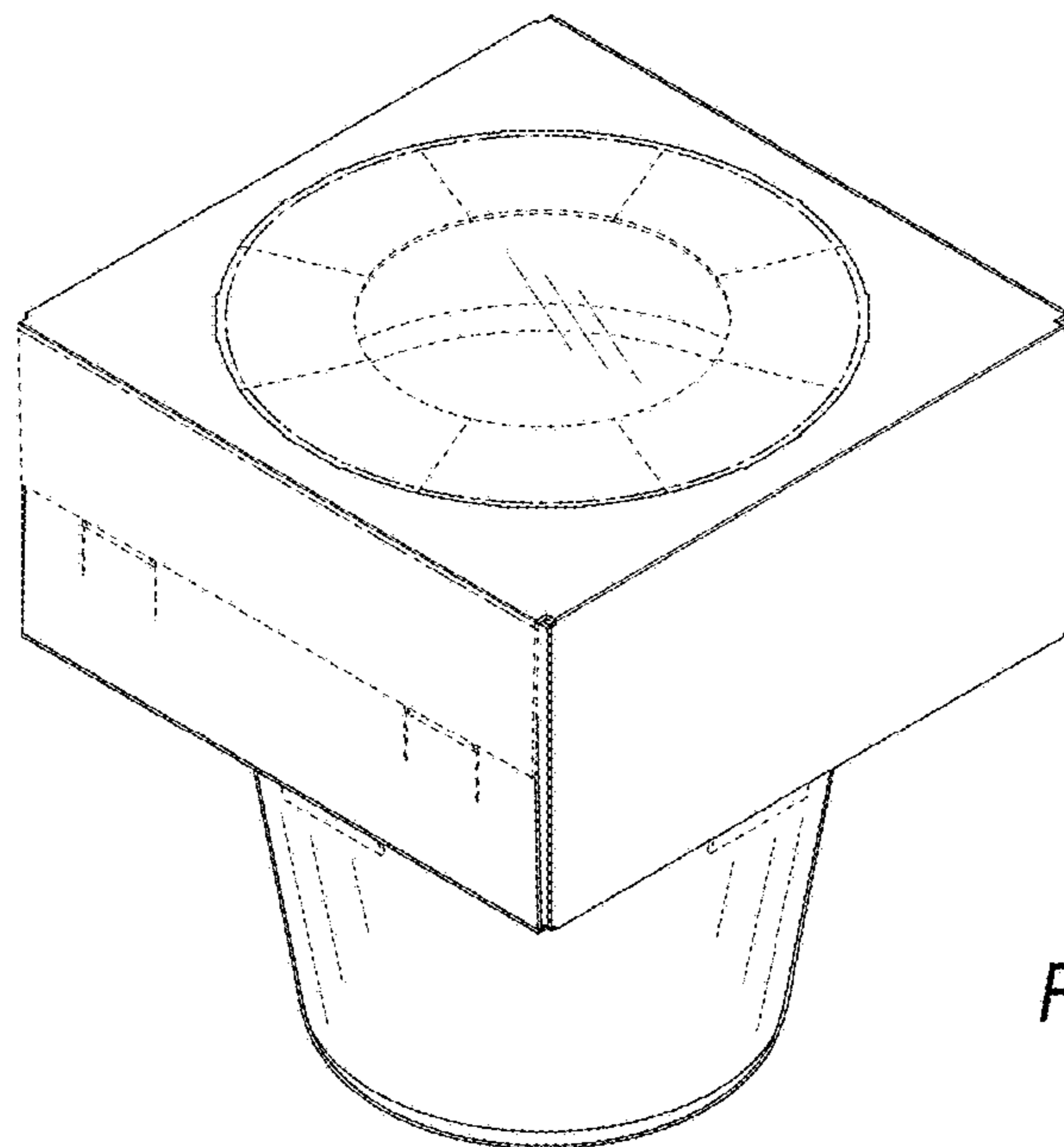


FIG. 9

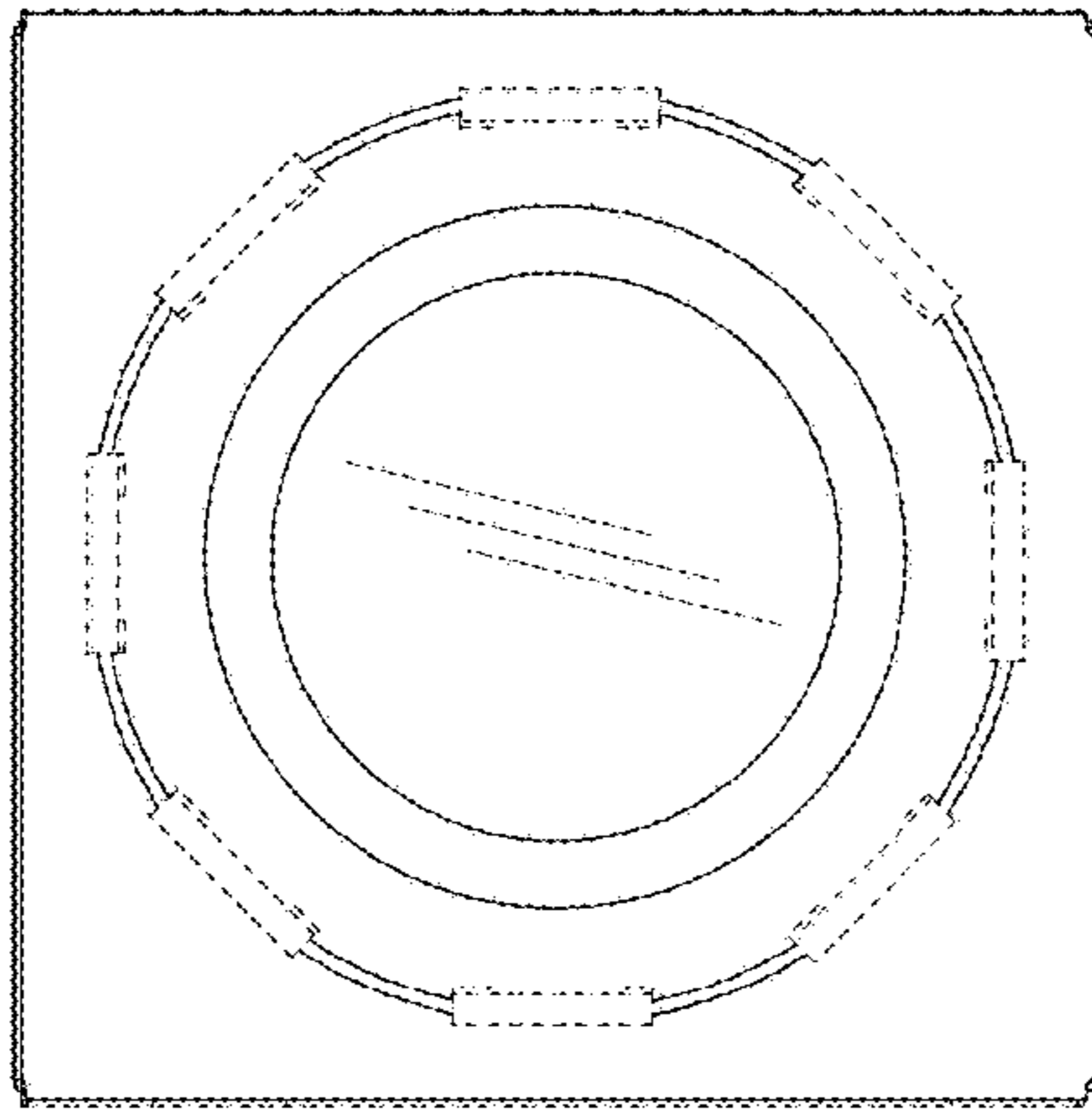


FIG. 10

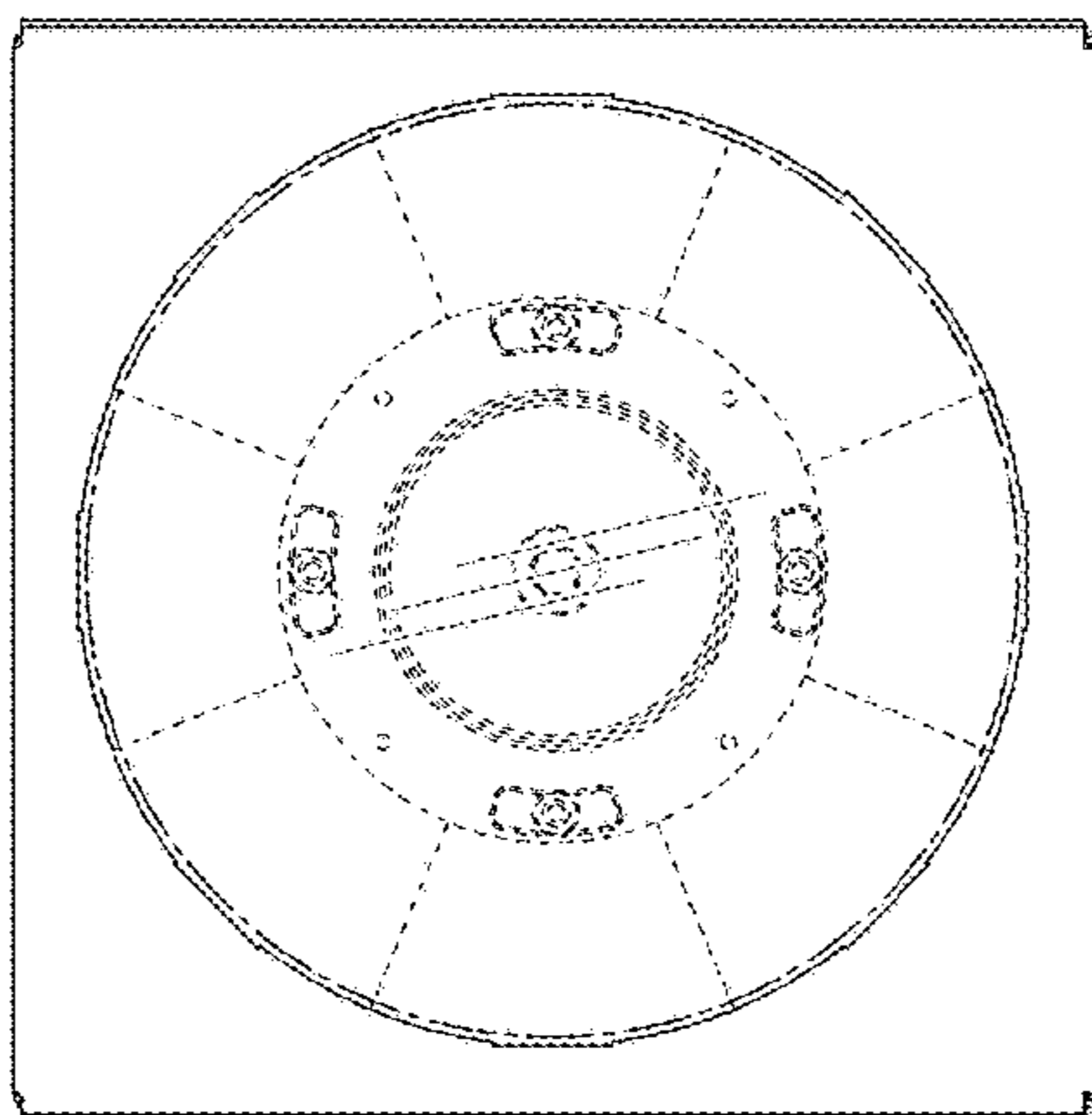


FIG. 11

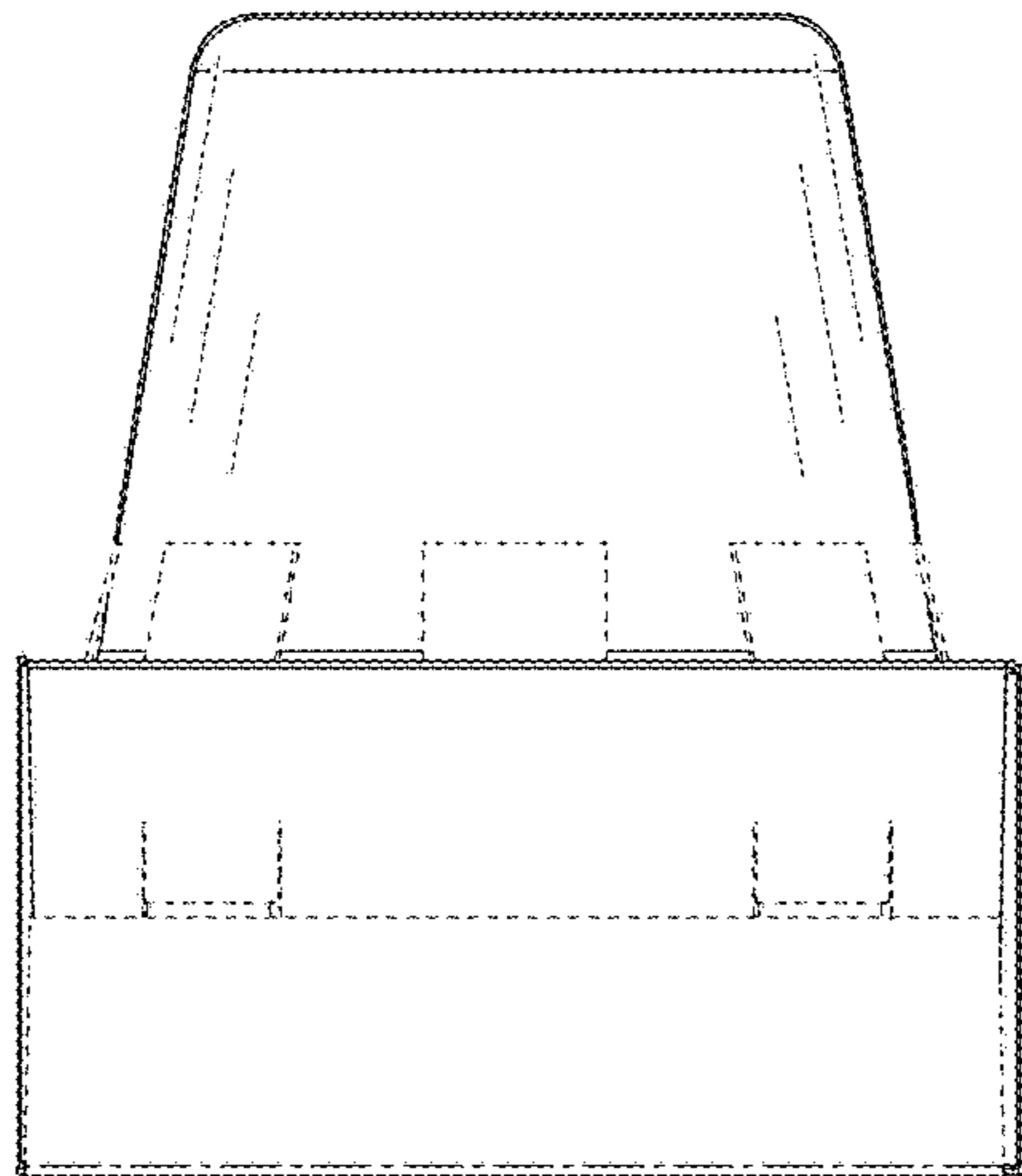


FIG. 12

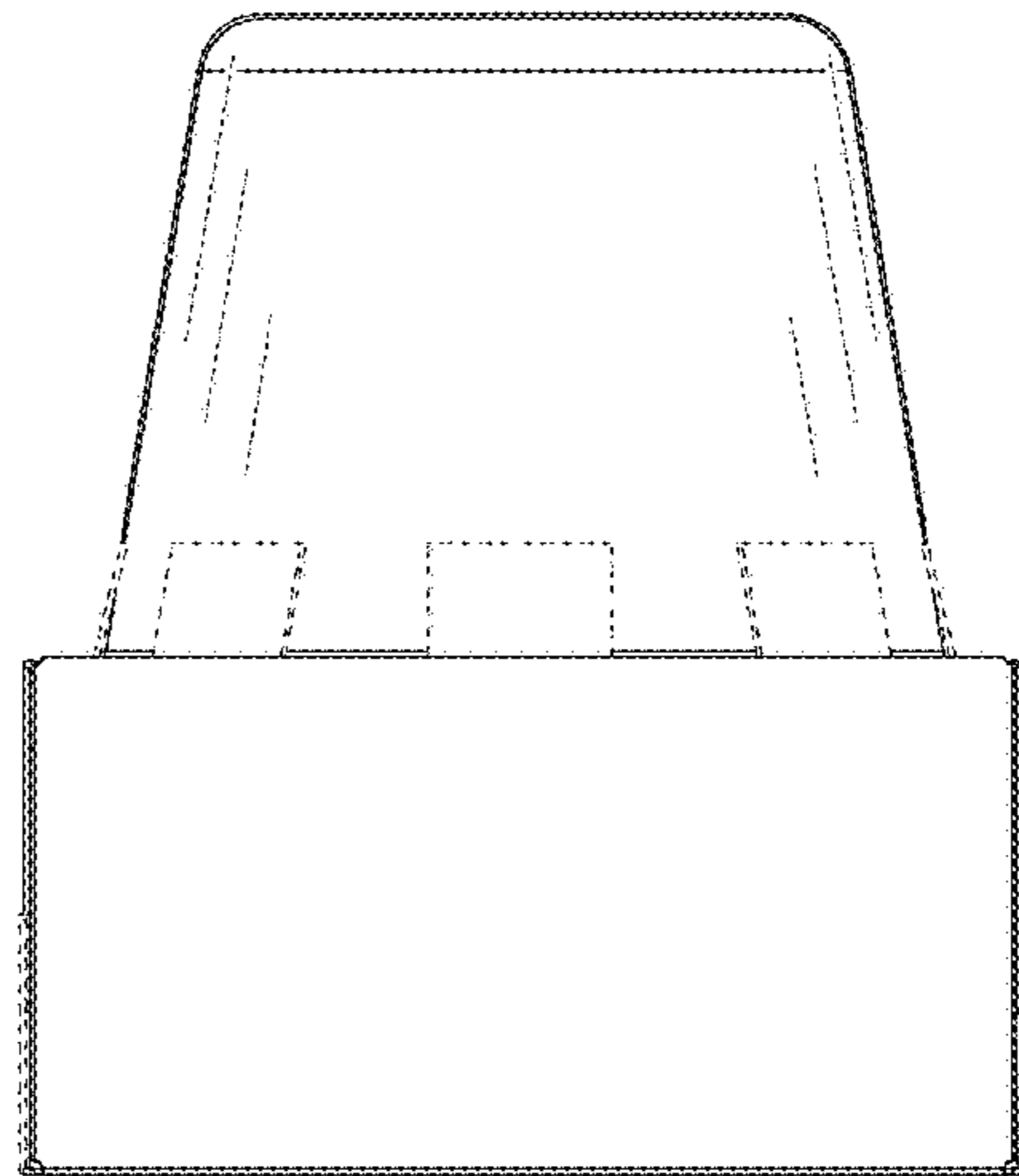


FIG. 13

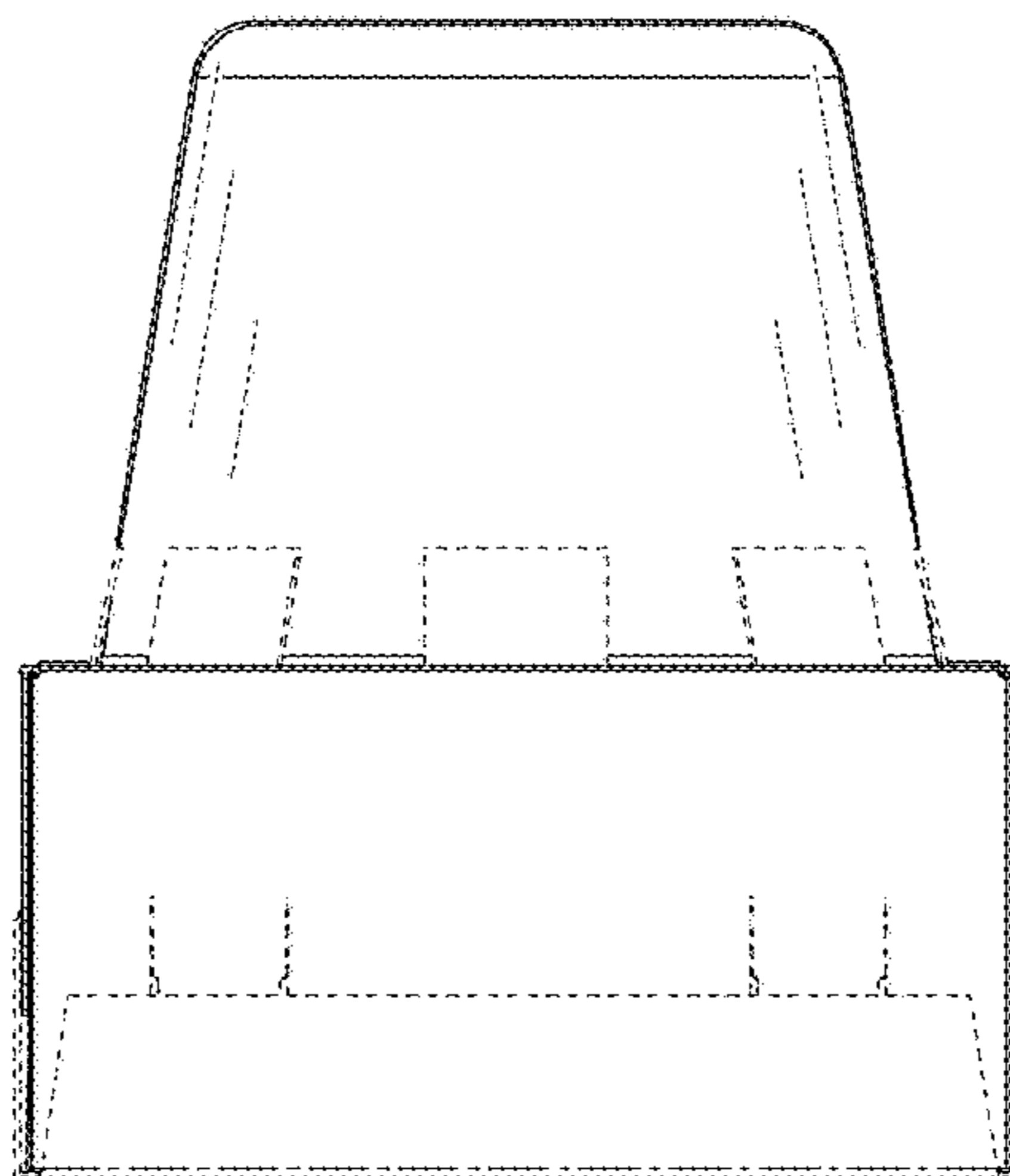


FIG. 14