



US00D862281S

(12) **United States Design Patent**  
**Atteberry**

(10) **Patent No.:** **US D862,281 S**

(45) **Date of Patent:** **\*\* Oct. 8, 2019**

(54) **FLOWER STRIPPER**

(71) Applicant: **G4 Products, LLC**, Las Vegas, NV  
(US)

(72) Inventor: **Wade Eugene Atteberry**, San Jose, CA  
(US)

(73) Assignee: **G4 Products, LLC**, Las Vegas, NV  
(US)

(\*\*) Term: **15 Years**

(21) Appl. No.: **29/644,119**

(22) Filed: **Apr. 13, 2018**

(51) **LOC (12) Cl.** ..... **11-02**

(52) **U.S. Cl.**  
USPC ..... **D11/143**

(58) **Field of Classification Search**  
USPC ..... D8/1, 5, 7, 9, 12, 16, 499; D11/143,  
D11/144, 146, 148, 155, 164, 184;  
D6/403-405, 556-558; D25/1;  
D26/9-11, 16, 19; D34/1, 2, 4, 5, 6;  
D99/5, 19  
CPC ..... A01D 1/06  
See application file for complete search history.

(56) **References Cited**

**U.S. PATENT DOCUMENTS**

48,136 A	6/1865	Thacher	
D179,294 S *	11/1956	Hinchcliffe	D15/147
D242,884 S *	1/1977	Diaz	D6/403
D257,064 S *	9/1980	Kobee	D25/136
D282,419 S *	2/1986	Meyer	D6/405
D294,548 S *	3/1988	Wallace	D6/558
D307,707 S *	5/1990	Abbestam	D34/29
D314,506 S *	2/1991	McMullen	D8/499
D316,951 S *	5/1991	Groves	D8/1
5,044,115 A	9/1991	Richardson	
5,240,343 A *	8/1993	Strobl, Jr.	E01C 11/221 404/7
D372,547 S *	8/1996	Sjodin	D25/164

D399,782 S *	10/1998	Ray	D11/143
D400,985 S *	11/1998	Risi	D25/164
D419,863 S *	2/2000	Mullane	D8/499
D425,382 S *	5/2000	Gordon	D8/1

(Continued)

**FOREIGN PATENT DOCUMENTS**

CA	2694807 A1	8/2011
CN	103098657 A	5/2013

(Continued)

**OTHER PUBLICATIONS**

BuildASoil.com, DeBudder, Unknown publication date, [site visited May 8, 2019], Available on the Internet URL <https://buildasoil.com/products/debudder?variant=28116592033876> (Year: 2019).\*

(Continued)

*Primary Examiner* — Karen S Acker

*Assistant Examiner* — Steven B Reinholdt, Jr.

(74) *Attorney, Agent, or Firm* — Lapple Ubell IP Law, LLP; Matthew C. Lapple

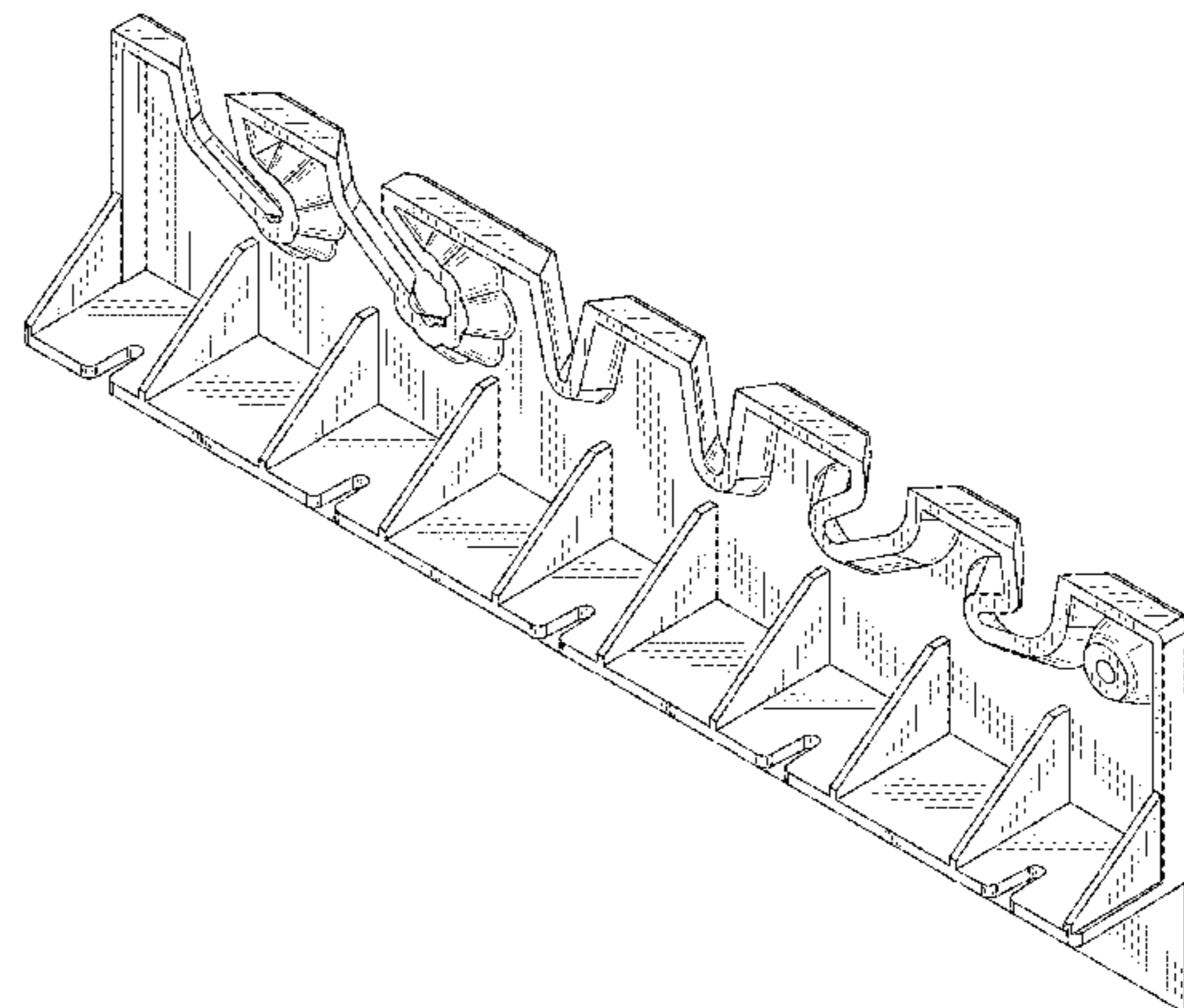
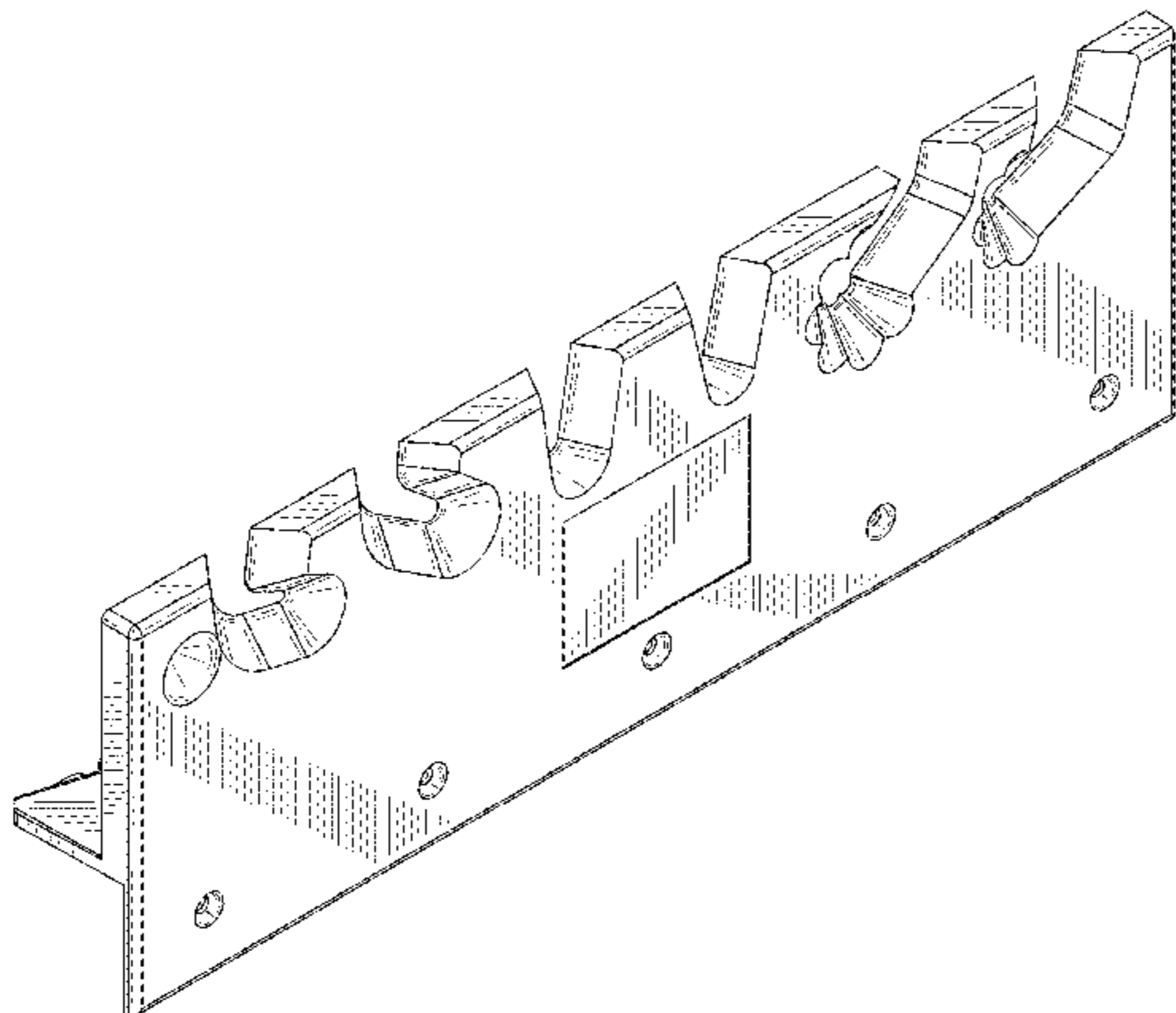
(57) **CLAIM**

The ornamental design for a flower stripper, as shown and described.

**DESCRIPTION**

FIG. 1 is a front perspective view of a flower stripper showing my new design;  
FIG. 2 is a rear perspective view thereof;  
FIG. 3 is a front view thereof;  
FIG. 4 is a back view thereof;  
FIG. 5 is a left side view thereof;  
FIG. 6 is a right side view thereof;  
FIG. 7 is a top view thereof; and,  
FIG. 8 is a bottom view thereof.

**1 Claim, 6 Drawing Sheets**



(56)

References Cited

U.S. PATENT DOCUMENTS

D425,767 S \* 5/2000 Goslin ..... D8/1  
 D433,291 S \* 11/2000 Shamoon ..... D8/1  
 D453,578 S \* 2/2002 Olson ..... D25/164  
 D482,831 S \* 11/2003 Lemos ..... D34/6  
 D499,011 S \* 11/2004 Rizzo ..... D8/499  
 D499,332 S \* 12/2004 Rizzo ..... D8/499  
 D511,451 S \* 11/2005 Mullane ..... D8/499  
 D512,303 S \* 12/2005 Prichard, Jr. .... D8/499  
 7,028,844 B2 4/2006 Nelson  
 D543,286 S \* 5/2007 Keeley ..... D25/119  
 D586,005 S \* 2/2009 Schumaker ..... D25/119  
 D613,572 S \* 4/2010 Nielsen ..... D15/140  
 D666,123 S \* 8/2012 Sichello ..... D11/143  
 8,267,256 B2 9/2012 Berthet et al.  
 D718,556 S \* 12/2014 Kreuzer ..... D6/574  
 9,435,112 B2 \* 9/2016 Bray ..... E01C 13/08  
 D776,834 S \* 1/2017 Amrine ..... D25/164  
 9,532,509 B2 1/2017 Mayer  
 D782,902 S \* 4/2017 Paulin ..... D8/382  
 D840,058 S \* 2/2019 Amrine ..... D25/164  
 2013/0205602 A1 8/2013 Mayer  
 2015/0040734 A1 2/2015 Harris  
 2015/0047485 A1 2/2015 Schroeder

FOREIGN PATENT DOCUMENTS

CN 104396589 A 3/2015  
 CN 106386198 A 2/2017  
 KR 10-2002-0078121 A 10/2002  
 KR 10-2012-0025835 A 3/2012

OTHER PUBLICATIONS

Laegerbuilt, The Stripper Machine, Apr. 11, 2012, YouTube.com, <https://youtube.com/watch?v=V3SS-2Ygc8E>.  
 Thundervak Machine, Best Bud Trimmer, Oct. 18, 2013, YouTube.com, <https://youtube.com/watch?v=hNCQuWC9YZY>.  
 Williams-Sonoma, Williams Sonoma Herb & Kale Stripper, Sep. 6, 2017, [www.williams-sonoma.com](http://www.williams-sonoma.com), <https://www.williams-sonoma.com/products/williams-sonoma-herb-kale-stripper/catalogId> . . . .  
 International Search Report and Written Opinion mailed by International Application Division Korean Intellectual Property Office dated Sep. 4, 2018 in the corresponding International Patent Application No. PCT/US2018/031238.

\* cited by examiner

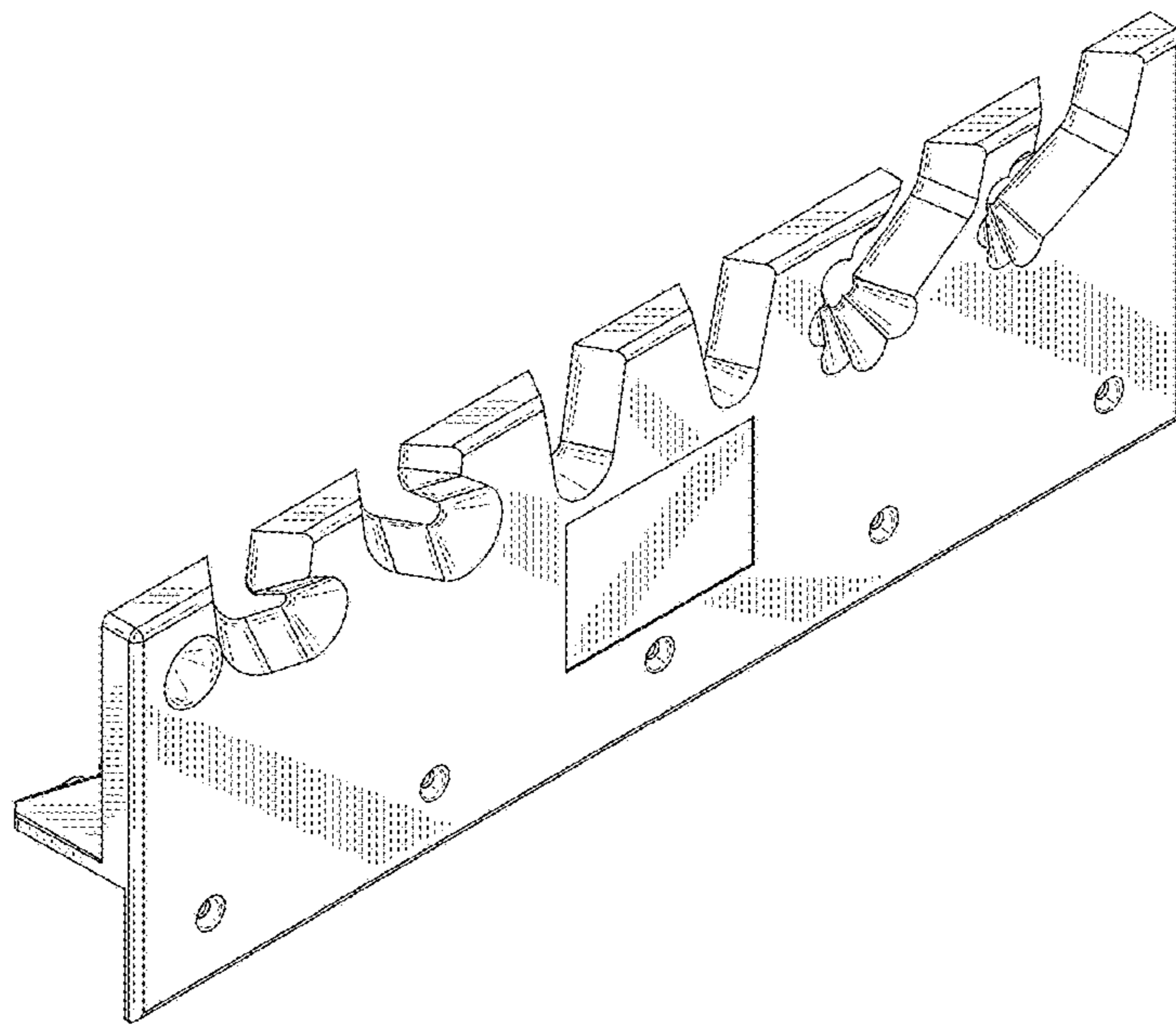


FIG. 1

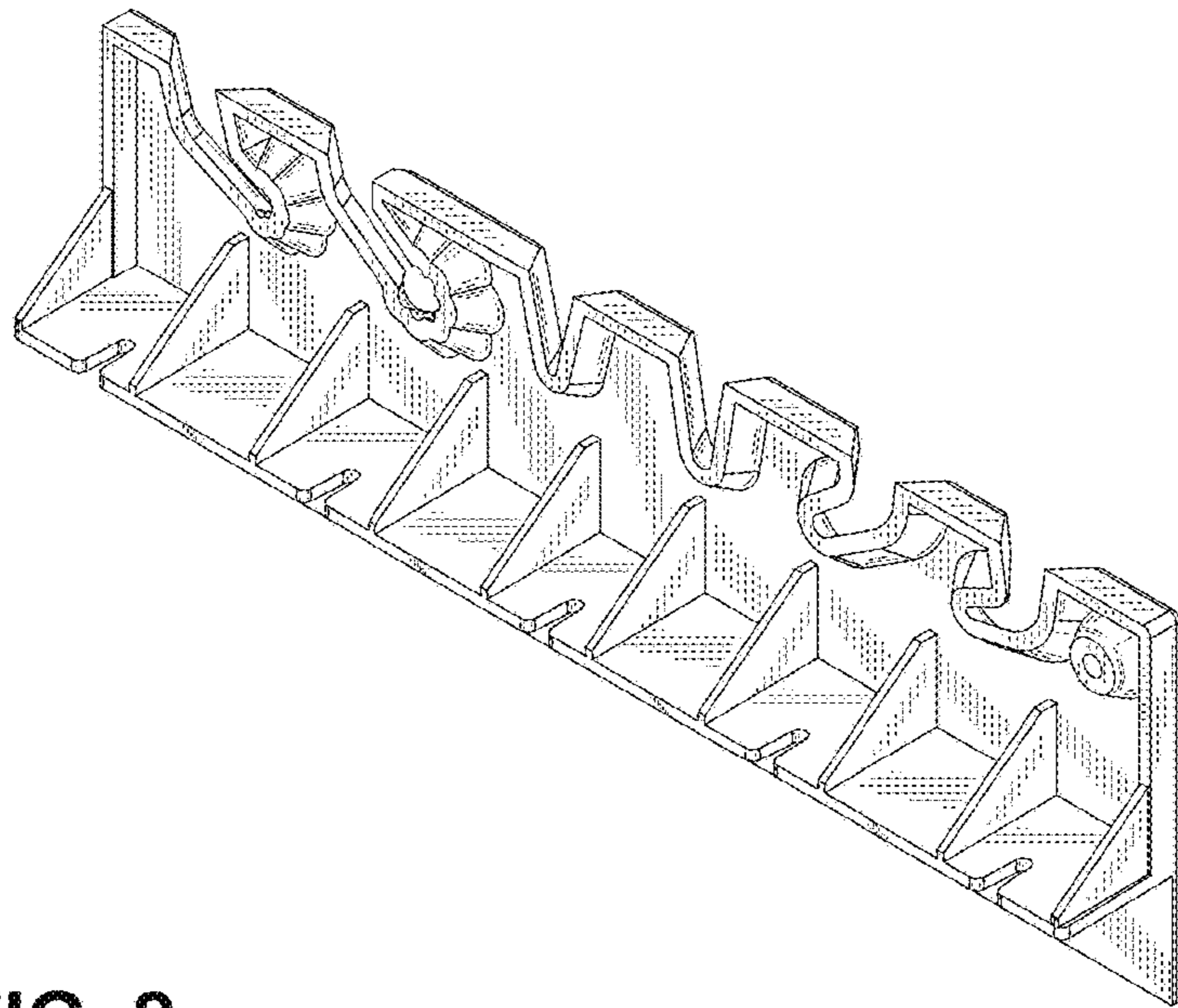
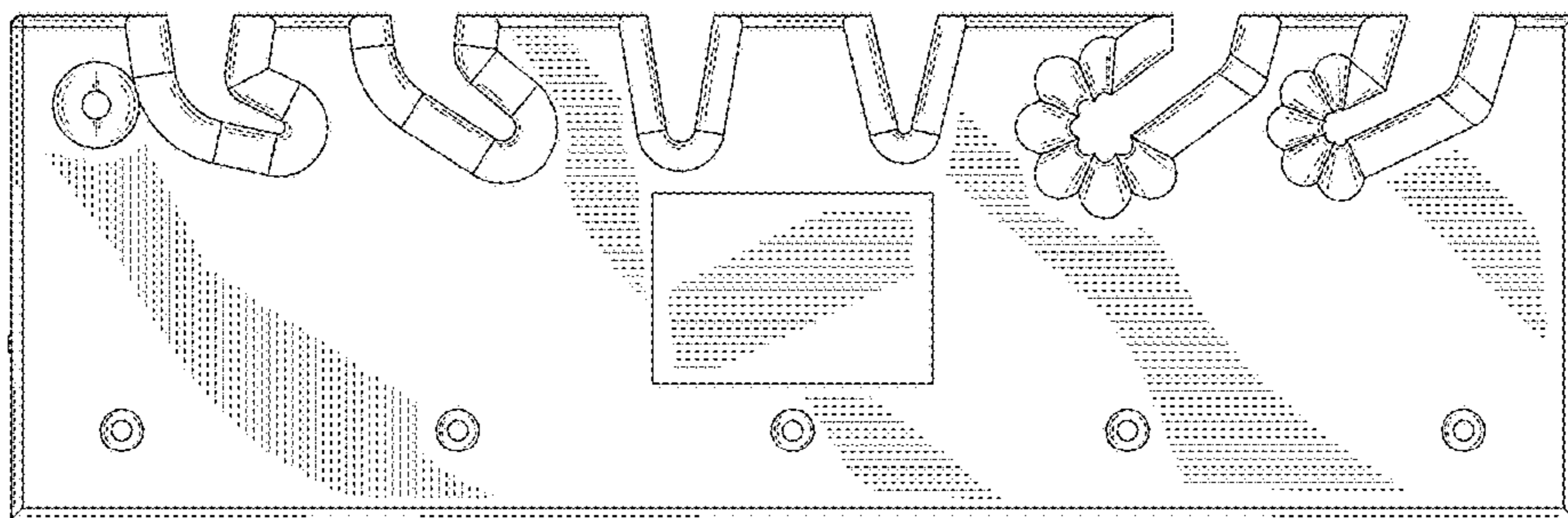
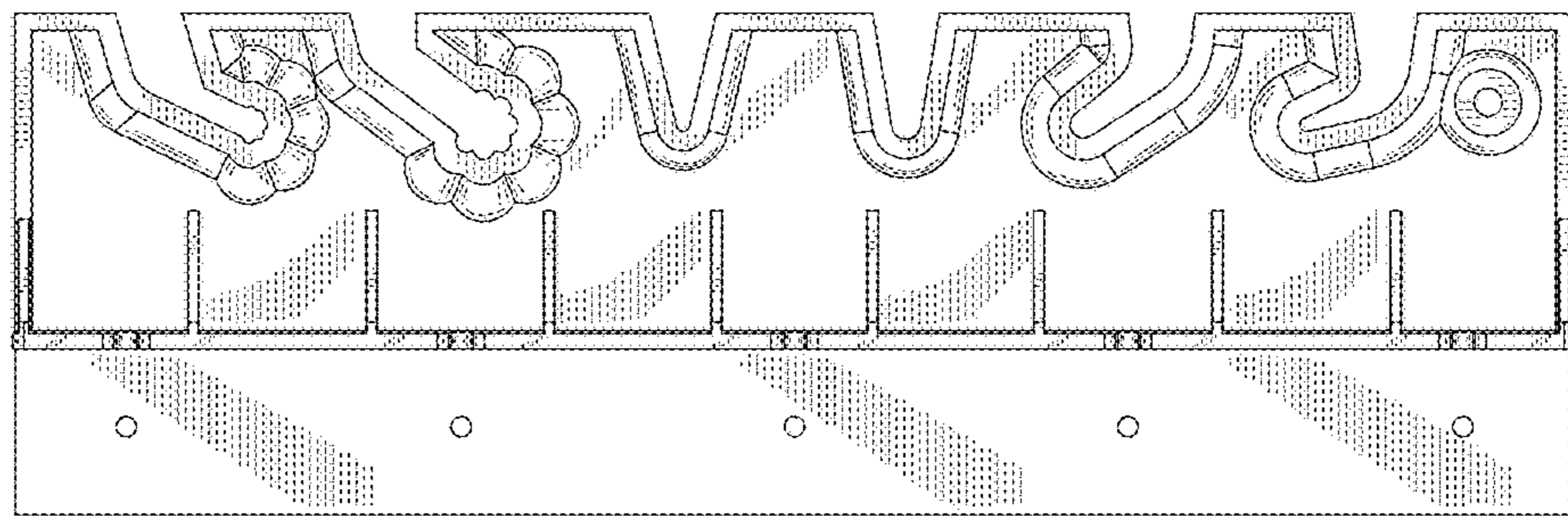


FIG. 2



**FIG. 3**



**FIG. 4**

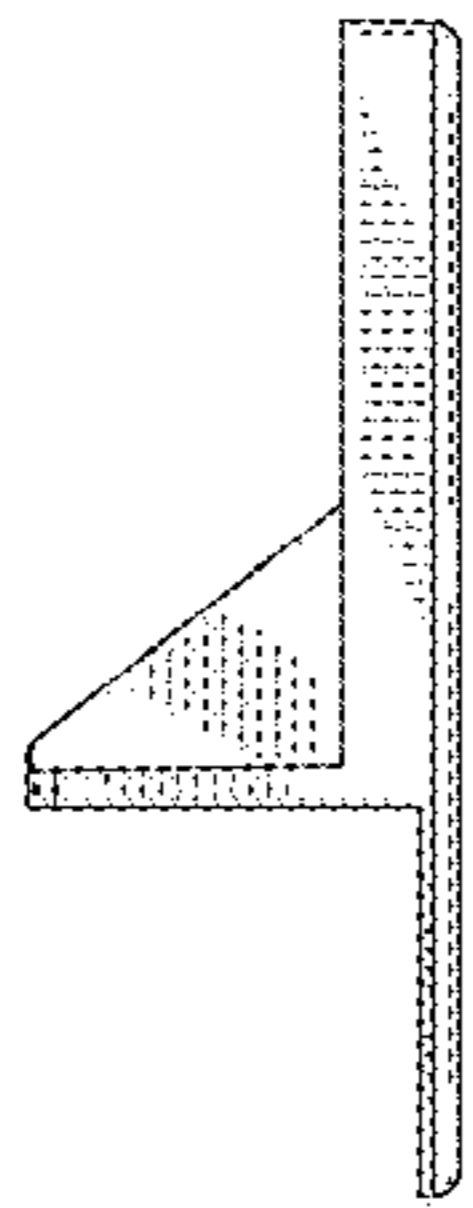


FIG. 5

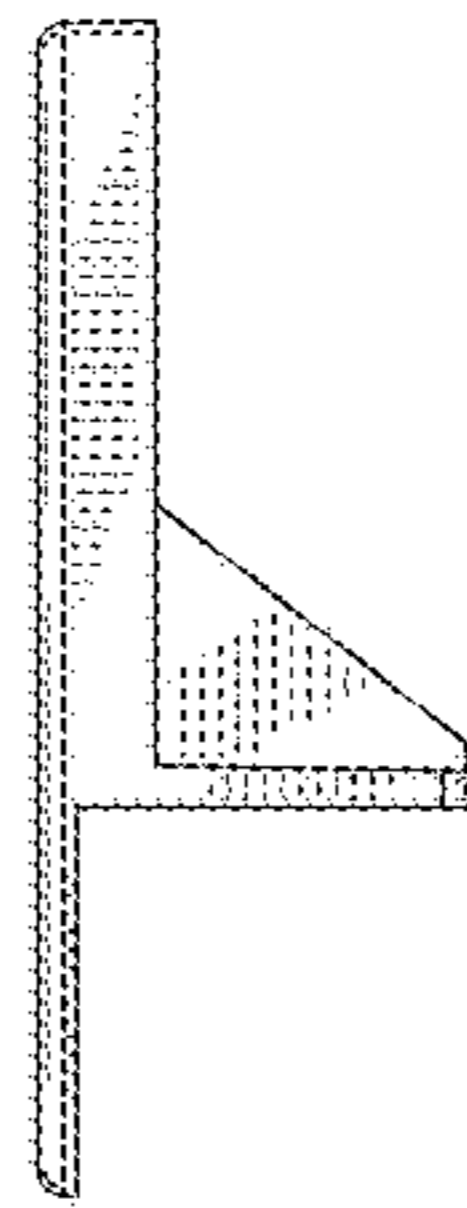
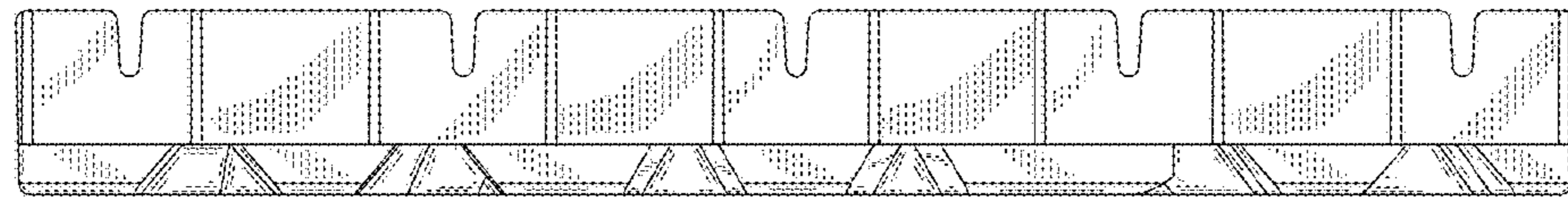
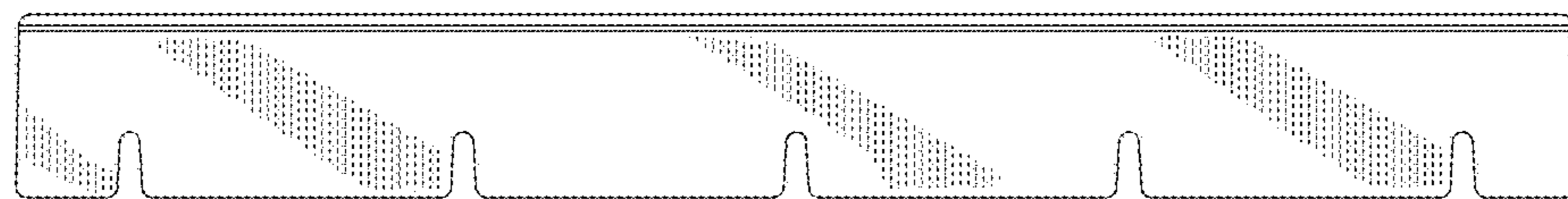


FIG. 6



**FIG. 7**



**FIG. 8**