



US00D862273S

(12) **United States Design Patent**  
**Dominguez**

(10) **Patent No.:** **US D862,273 S**  
(45) **Date of Patent:** **\*\* Oct. 8, 2019**

(54) **DIAL**  
(71) Applicant: **HARRY WINSTON SA,**  
Plan-les-Ouates (CH)  
(72) Inventor: **Emmanuelle Dominguez,** Viry (FR)  
(73) Assignee: **Harry Winston SA,** Plan-les-Ouates  
(CH)  
(\*\*) Term: **15 Years**  
(21) Appl. No.: **29/616,234**  
(22) Filed: **Sep. 5, 2017**

D533,084 S \* 12/2006 Arabo ..... D10/32  
D561,050 S \* 2/2008 Laucella ..... D10/39  
D731,899 S \* 6/2015 Graff ..... D10/32  
D758,208 S \* 6/2016 Bedol ..... D10/1  
D775,535 S \* 1/2017 Handa ..... D10/32  
D793,874 S \* 8/2017 Abdourahim ..... D10/32

**FOREIGN PATENT DOCUMENTS**

CN 304565487 \* 9/2017  
JP D1597530 \* 9/2017  
TR 095099-0002 \* 3/2017  
WO WOD095099-001 \* 3/2017  
WO WOD095099-002 \* 3/2017

\* cited by examiner

(30) **Foreign Application Priority Data**

Mar. 3, 2017 (WO) ..... DM/095 099

(51) **LOC (12) Cl.** ..... **10-07**

(52) **U.S. Cl.**  
USPC ..... **D10/126**

(58) **Field of Classification Search**  
USPC ..... D10/1-39, 65, 70, 122-132; D14/344,  
D14/138 R

CPC ... G04F 1/00; G04F 1/06; G04F 1/063; G04F  
7/06; G04F 7/0861; G04F 7/0871; G04F  
7/08; G04F 7/0804; G04F 7/0842; G04F  
7/0876; G04F 19/00; G04F 19/02; G04F  
19/04; G04F 19/06; G04F 19/08; G04F  
19/26; G04F 19/24; G04F 39/00; G04F  
39/002; G04F 39/004; G04F 39/006;  
A01G 25/165; B05B 12/02

See application file for complete search history.

(56) **References Cited**

**U.S. PATENT DOCUMENTS**

D511,106 S \* 11/2005 Severt ..... D10/12  
D519,850 S \* 5/2006 Hensch ..... D10/6

*Primary Examiner* — Karen E Kearney

*Assistant Examiner* — Aula Soroush

(74) *Attorney, Agent, or Firm* — Blank Rome LLP

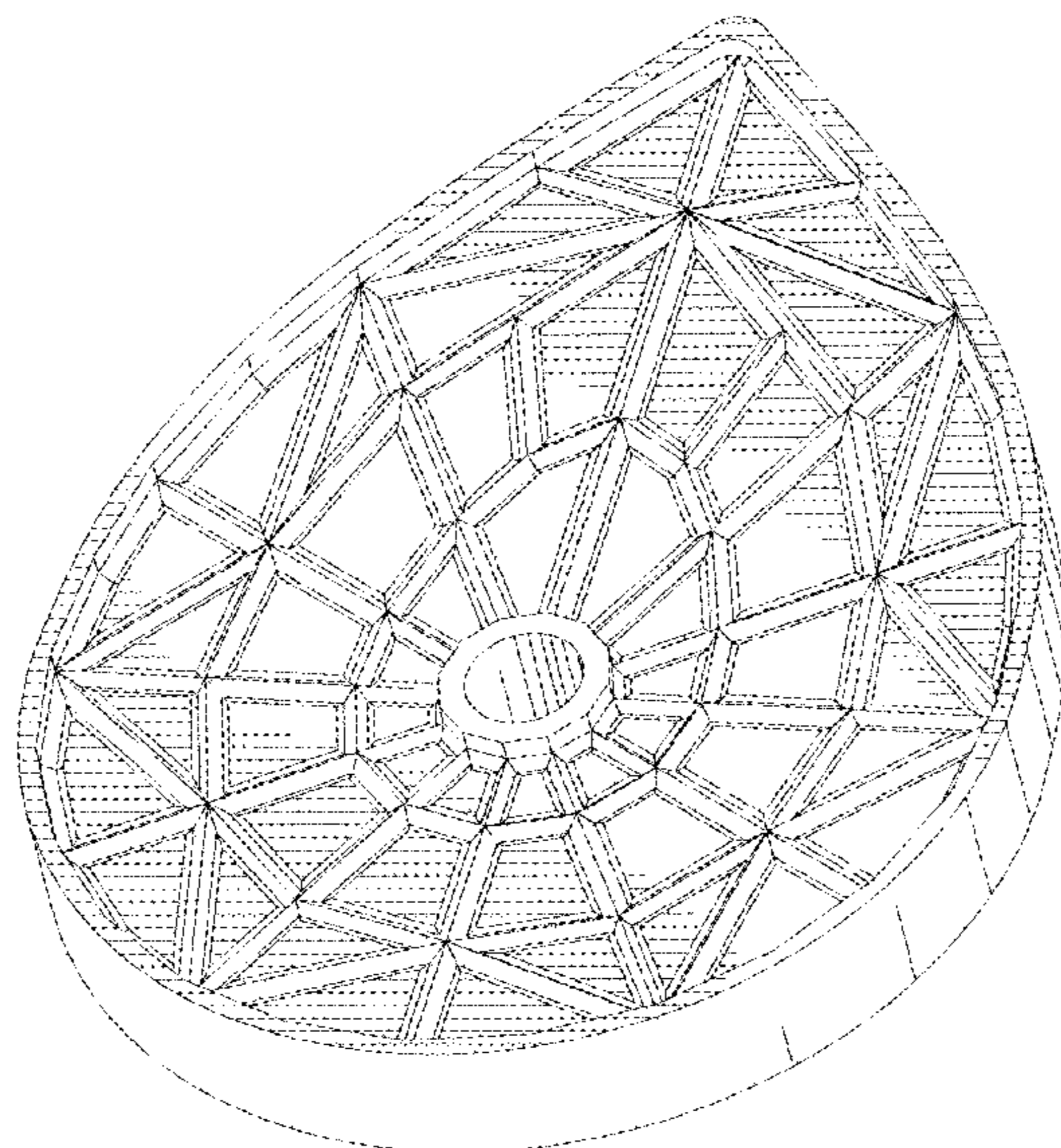
(57) **CLAIM**

The ornamental design for a dial, as shown.

**DESCRIPTION**

FIG. 1 is a top front perspective view of a dial showing my new design;  
FIG. 2 is a rear bottom perspective view thereof;  
FIG. 3 is a top view thereof;  
FIG. 4 is a bottom view thereof;  
FIG. 5 is a left side view thereof;  
FIG. 6 is a right side view thereof;  
FIG. 7 is a front view thereof; and,  
FIG. 8 is a rear view thereof.

**1 Claim, 6 Drawing Sheets**



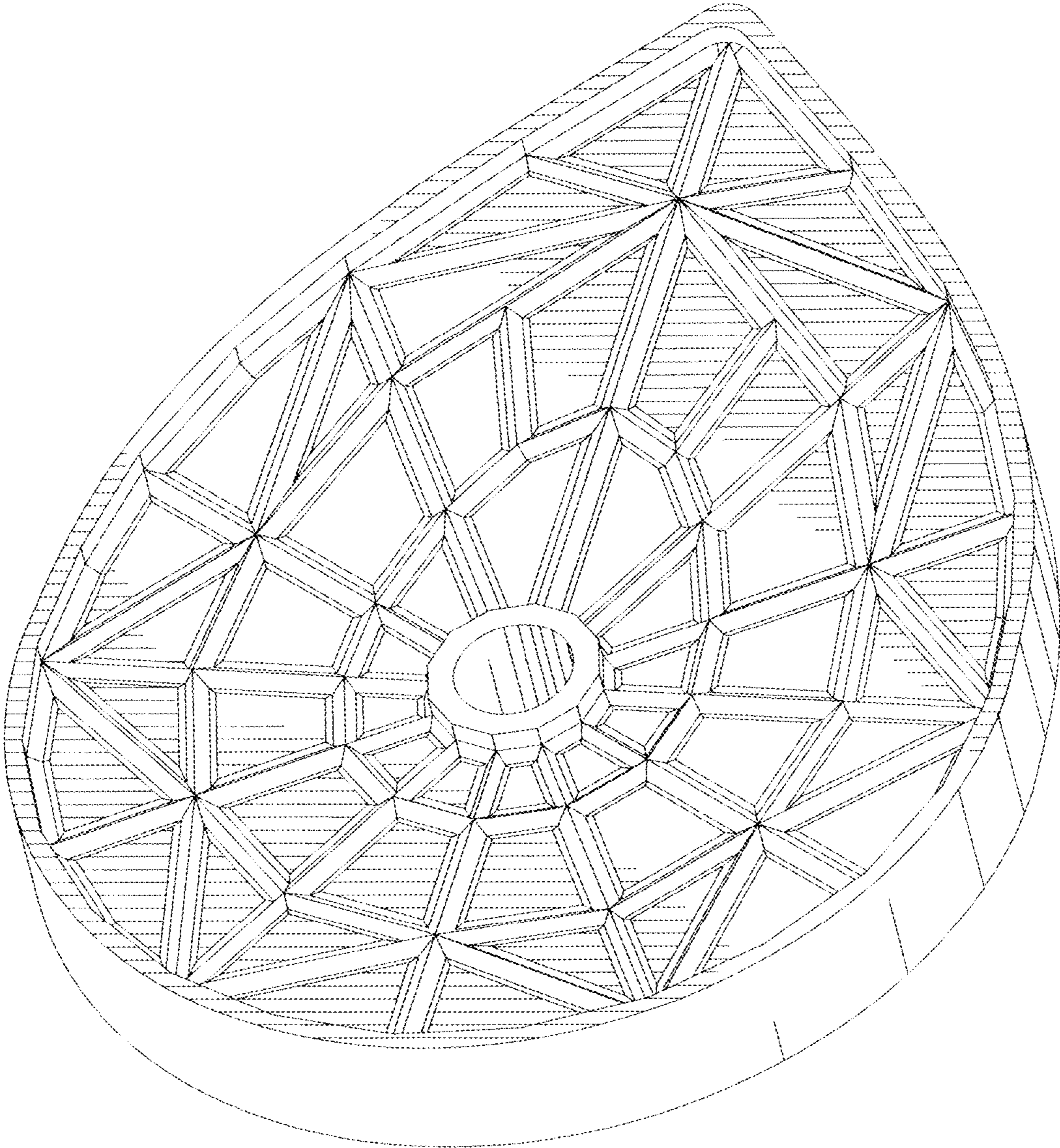


FIG. 1

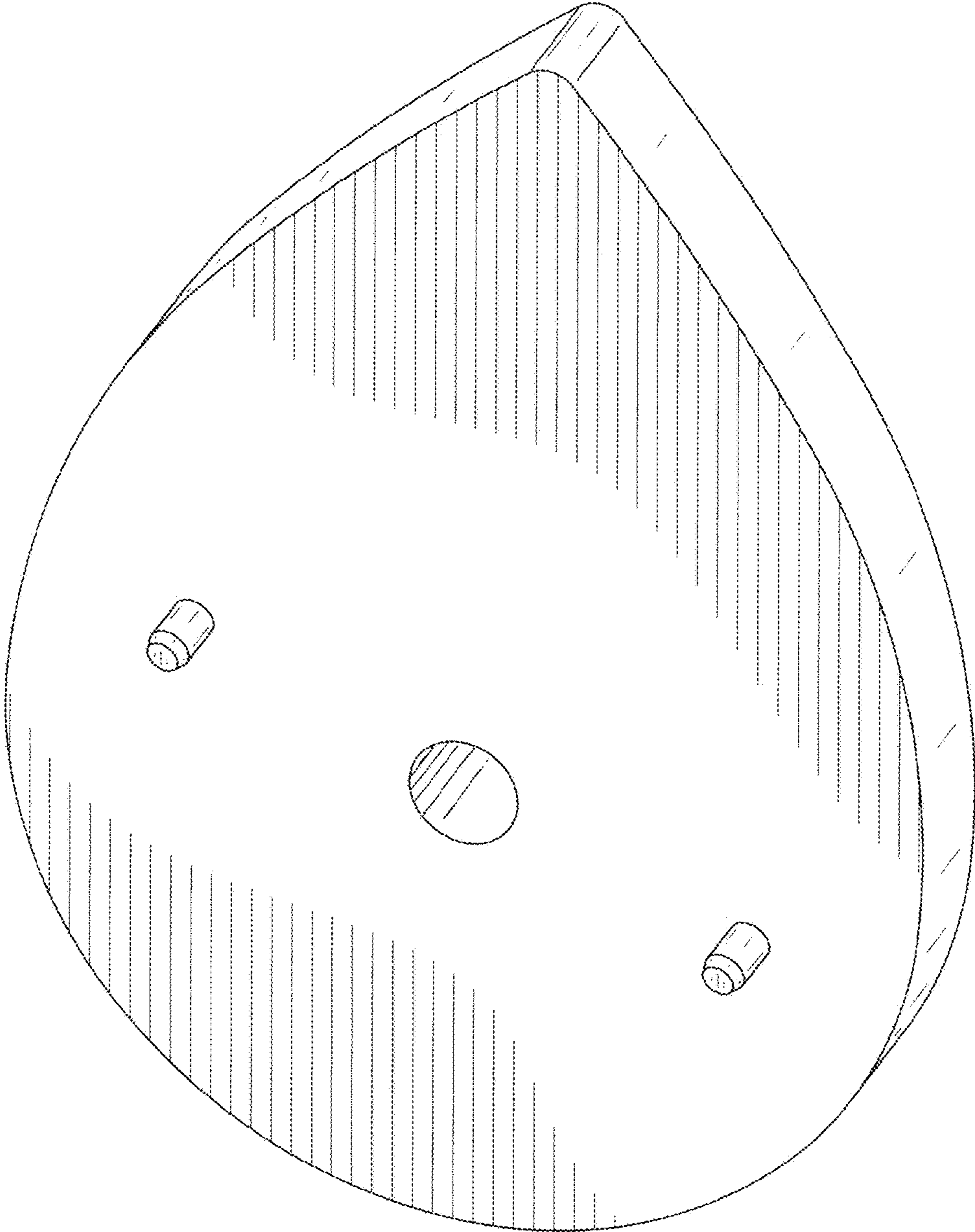


FIG. 2

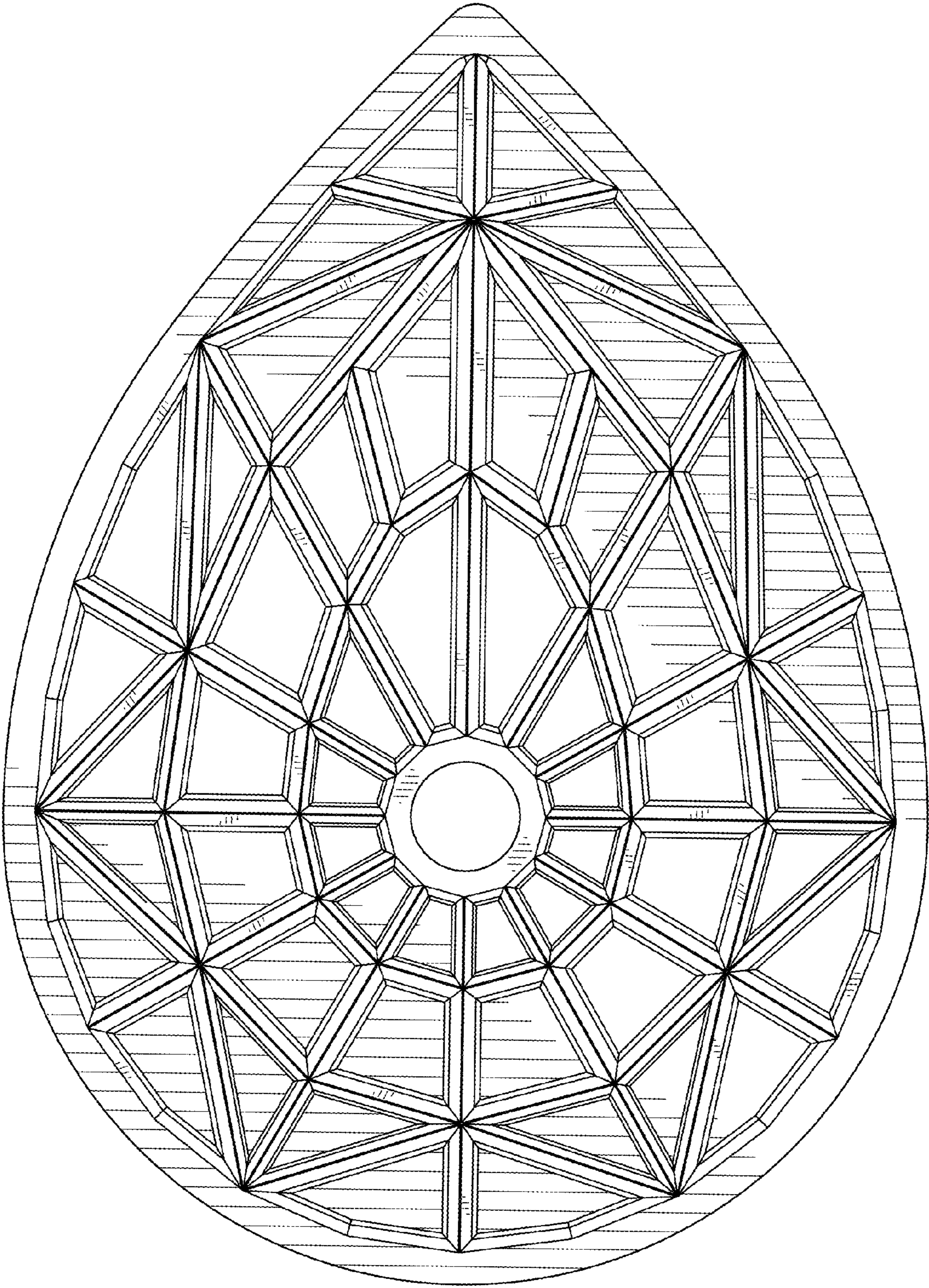


FIG. 3

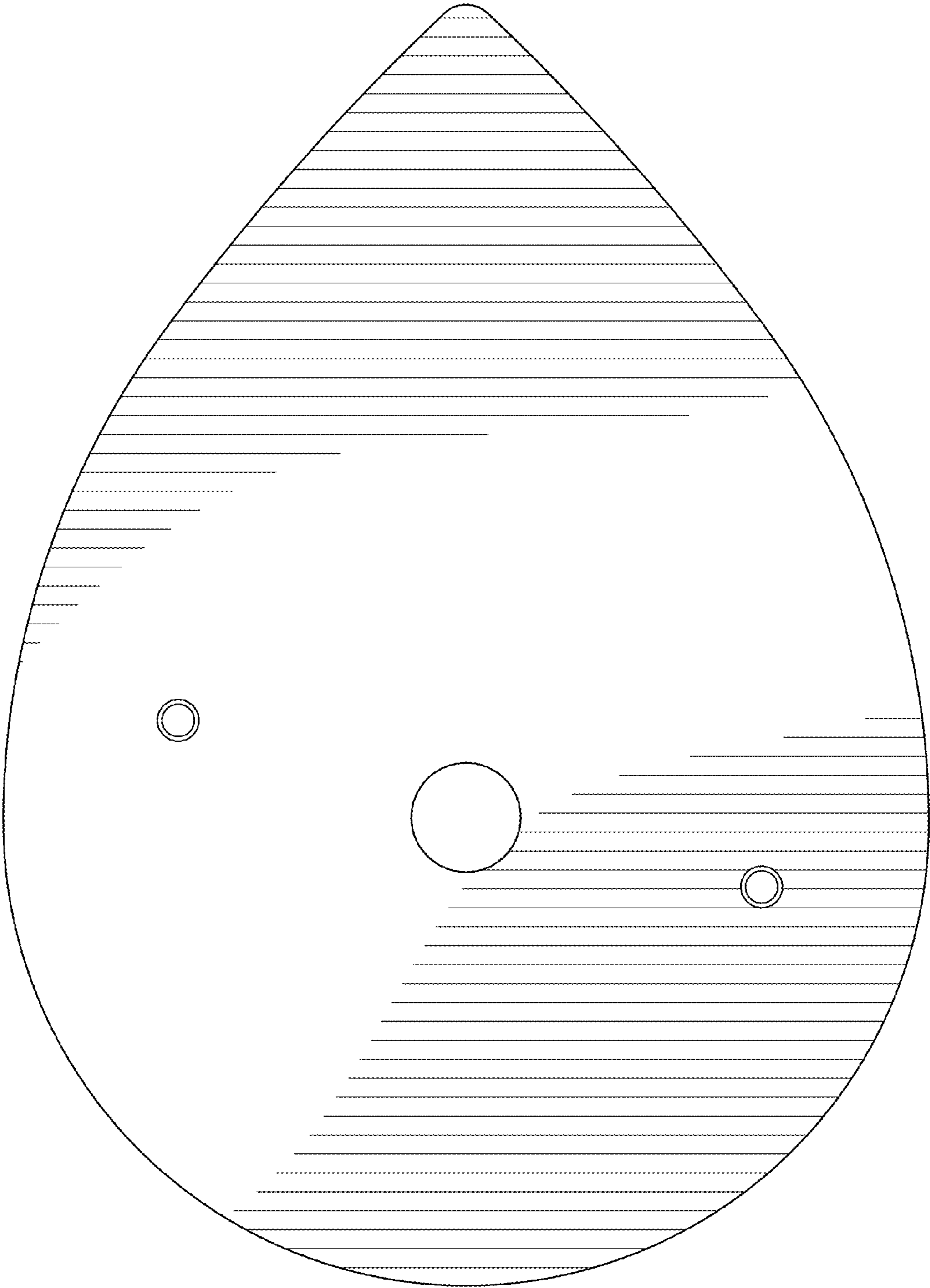


FIG. 4

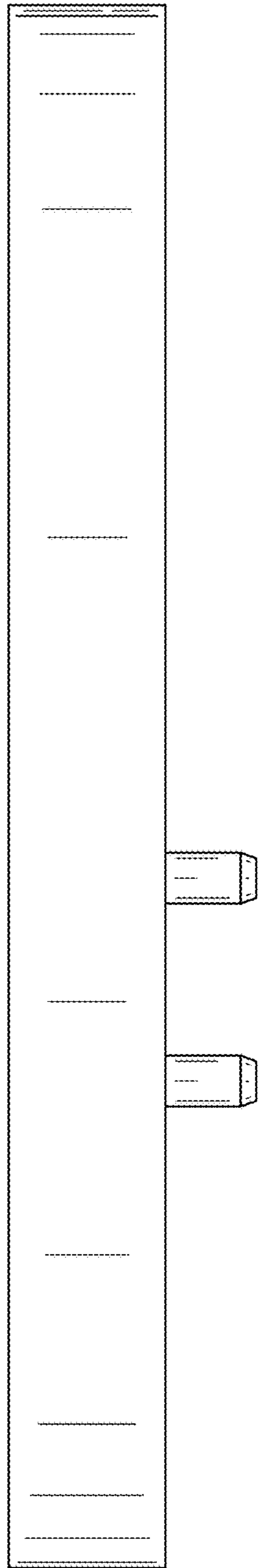


FIG. 5

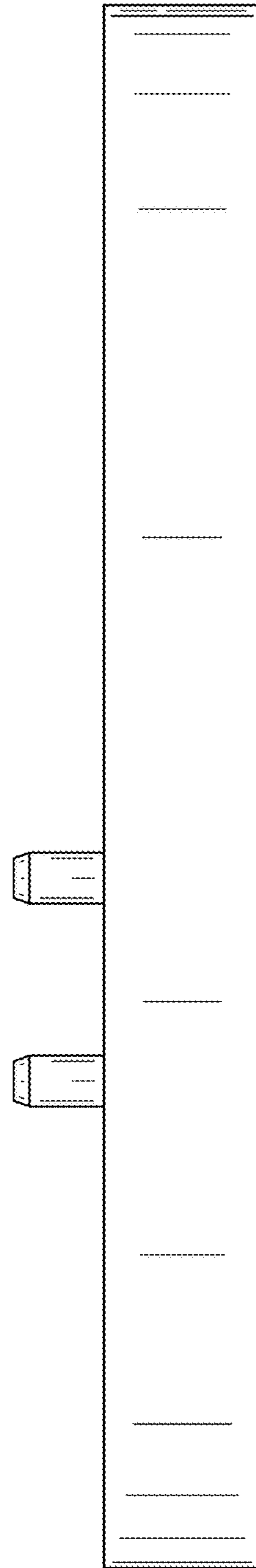


FIG. 6

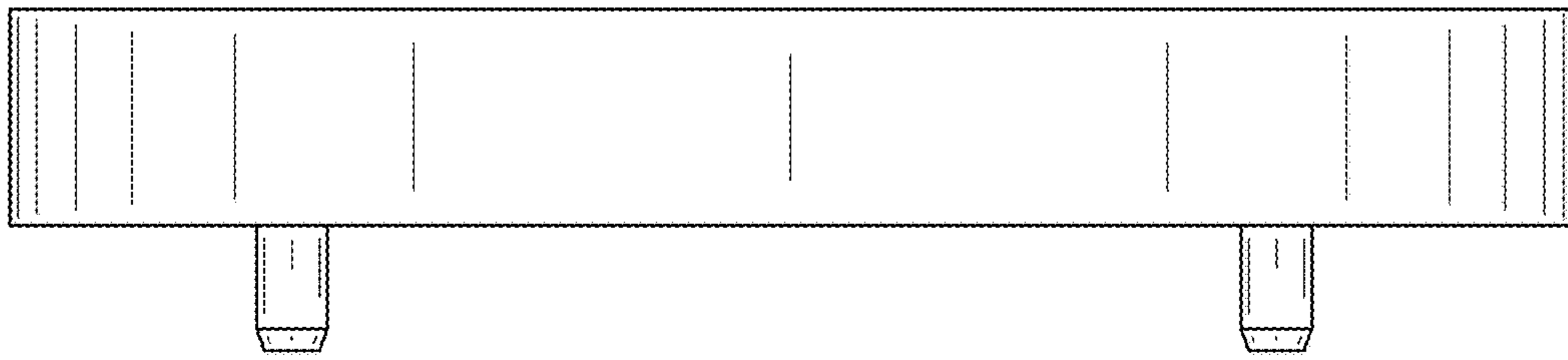


FIG. 7

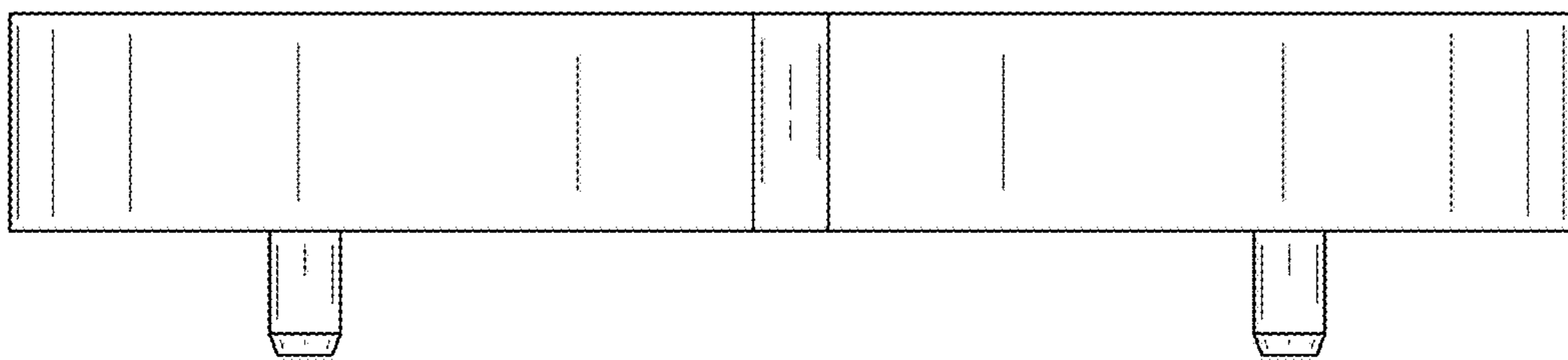


FIG. 8