



US00D862272S

(12) **United States Design Patent** (10) **Patent No.:** **US D862,272 S**
Foxcroft (45) **Date of Patent:** **** Oct. 8, 2019**

(54) **THREE CHAMBER SPORTS AND SAFETY MOUTH WHISTLE**

(71) Applicant: **David Ronald Foxcroft**, Burlington (CA)

(72) Inventor: **David Ronald Foxcroft**, Burlington (CA)

(73) Assignee: **FOX 40 INTERNATIONAL INC.**, Hamilton (CA)

(**) Term: **15 Years**

(21) Appl. No.: **29/624,575**

(22) Filed: **Nov. 2, 2017**

(30) **Foreign Application Priority Data**

Oct. 26, 2017 (CA) 177792

(51) **LOC (12) Cl.** **10-06**

(52) **U.S. Cl.**
USPC **D10/119.3**

(58) **Field of Classification Search**
USPC D10/116.1, 118, 118.1, 118.2, 119.1, D10/119.2, 119.3, 119.4, 120, 121; 446/202, 203, 204, 205, 206, 207, 208, 446/209
CPC G10K 5/00; G10K 11/004; G10K 5/02; G10K 11/26; G10K 11/28; G10K 9/12
See application file for complete search history.

(56) **References Cited**

U.S. PATENT DOCUMENTS

D76,516 S * 10/1928 Zisch D10/119.2
D409,939 S * 5/1999 Sharp D10/119.3
D462,917 S * 9/2002 Hills D10/119.3
D488,085 S * 4/2004 Cheng D10/119.2

(Continued)

FOREIGN PATENT DOCUMENTS

CN 304710228 * 7/2018
CN 305045131 * 2/2019

(Continued)

OTHER PUBLICATIONS

“Fuziun CMG” available May 1, 2019, [online], [site visited May 19, 2019]. Retrieved from Internet, <URL:https://fox40shopusa.com/collections/pealess-whistles/products/fuziun-cmg> (Year: 2019).*

(Continued)

Primary Examiner — Cathron C Brooks

Assistant Examiner — Katrina N Gonzalez

(74) *Attorney, Agent, or Firm* — Ridout & Maybee LLP

(57) **CLAIM**

The ornamental design for the three chamber sports and safety mouth whistle, as shown and described.

DESCRIPTION

FIG. 1 is front top right perspective view of the three chamber sports and safety mouth whistle according to the invention;

FIG. 2 is bottom rear right perspective view of the three chamber sports and safety mouth whistle shown in FIG. 1; FIG. 3 is a top plan view of the three chamber sports and safety mouth whistle shown in FIG. 1;

FIG. 4 is a bottom plan view of the three chamber sports and safety mouth whistle shown in FIG. 1;

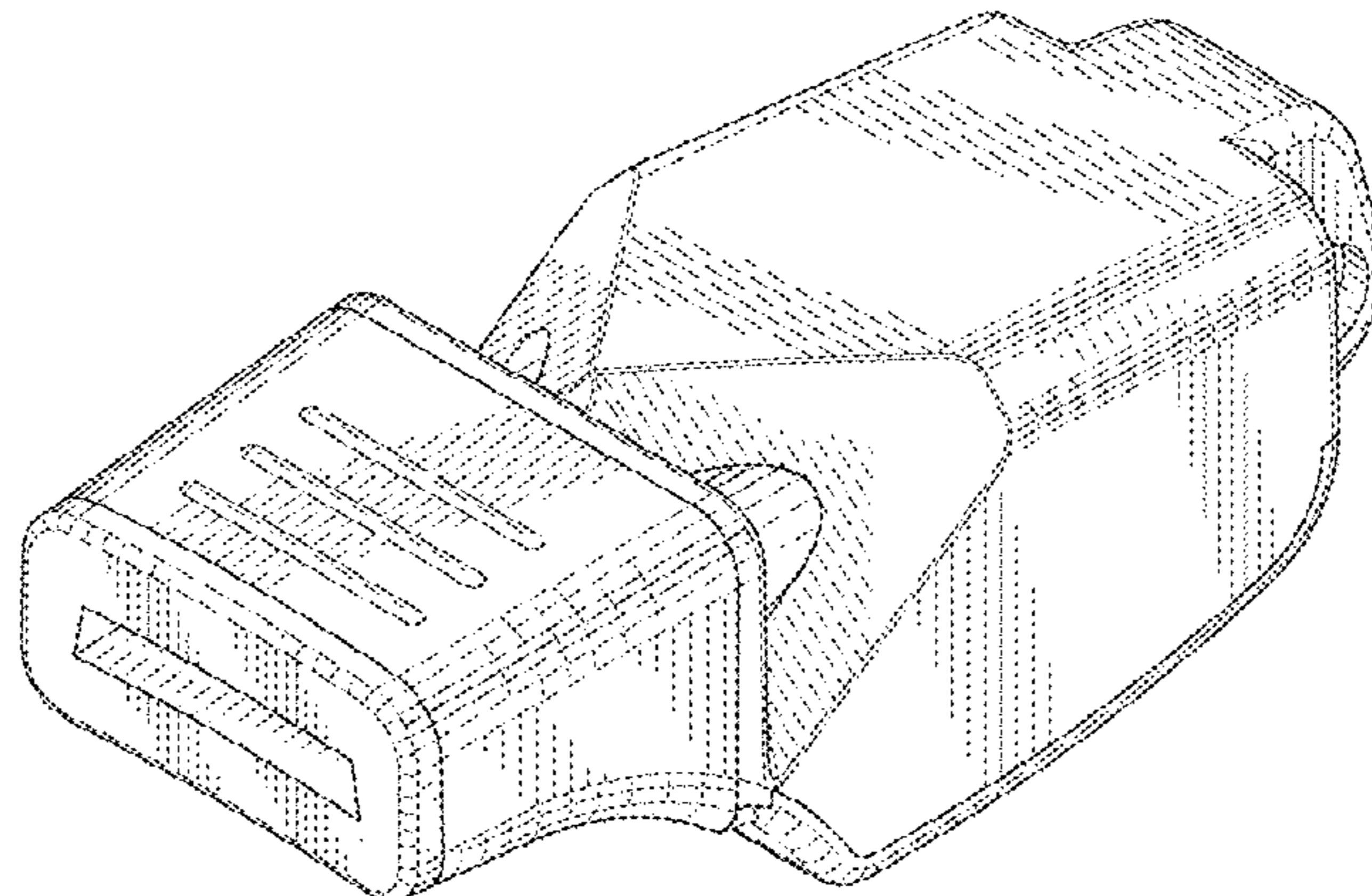
FIG. 5 is a left side elevational view of the three chamber sports and safety mouth whistle shown in FIG. 1;

FIG. 6 is a right side elevational view of the three chamber sports and safety mouth whistle shown in FIG. 1;

FIG. 7 is a rear plan view of the three chamber sports and safety mouth whistle shown in FIG. 1; and,

FIG. 8 is a front plan view of the three chamber sports and safety mouth whistle shown in FIG. 1.

1 Claim, 5 Drawing Sheets



(56)

References Cited

U.S. PATENT DOCUMENTS

D555,529 S * 11/2007 Foxcroft D10/119.3
D622,172 S * 8/2010 Hills D10/119.3
D623,967 S * 9/2010 Shupp D10/119.3
7,987,809 B2 * 8/2011 Uribe G10K 5/00
116/137 R
D661,215 S * 6/2012 Foxcroft D10/119.3
D776,554 S * 1/2017 Foxcroft D10/119.3

FOREIGN PATENT DOCUMENTS

IN 305098-0001 * 2/2019
JP D1628675 * 4/2019
KR 300735664.0000 * 3/2014

OTHER PUBLICATIONS

“Fox 40 Fuziun CMG Whistle Black FO8602” available May 1, 2019, [online], [site visited May 1, 2019]. Retrieved from Internet, <URL: <https://www.amazon.com/Fox-40-Fuziun-Whistle-FO8602/dp/B07GWGJPMH>> (Year: 2019).*

“Fox 40 Fuziun CMG Pealess Whistle” (via YouTube), available May 23, 2018, [online], [site visited May 1, 2019]. Retrieved from Internet, <URL: <https://www.youtube.com/watch?v=vG4P7eFhWZw>> (Year: 2018).*

“Fox 40 Fuziun CMG Whistle” available Jul. 4, 2018, [online], [site visited May 1, 2019]. Retrieved from Internet, <URL: <https://www.refereestore.com/fox-40-fuziun-cmg-whistle/>> (Year: 2018).*

* cited by examiner

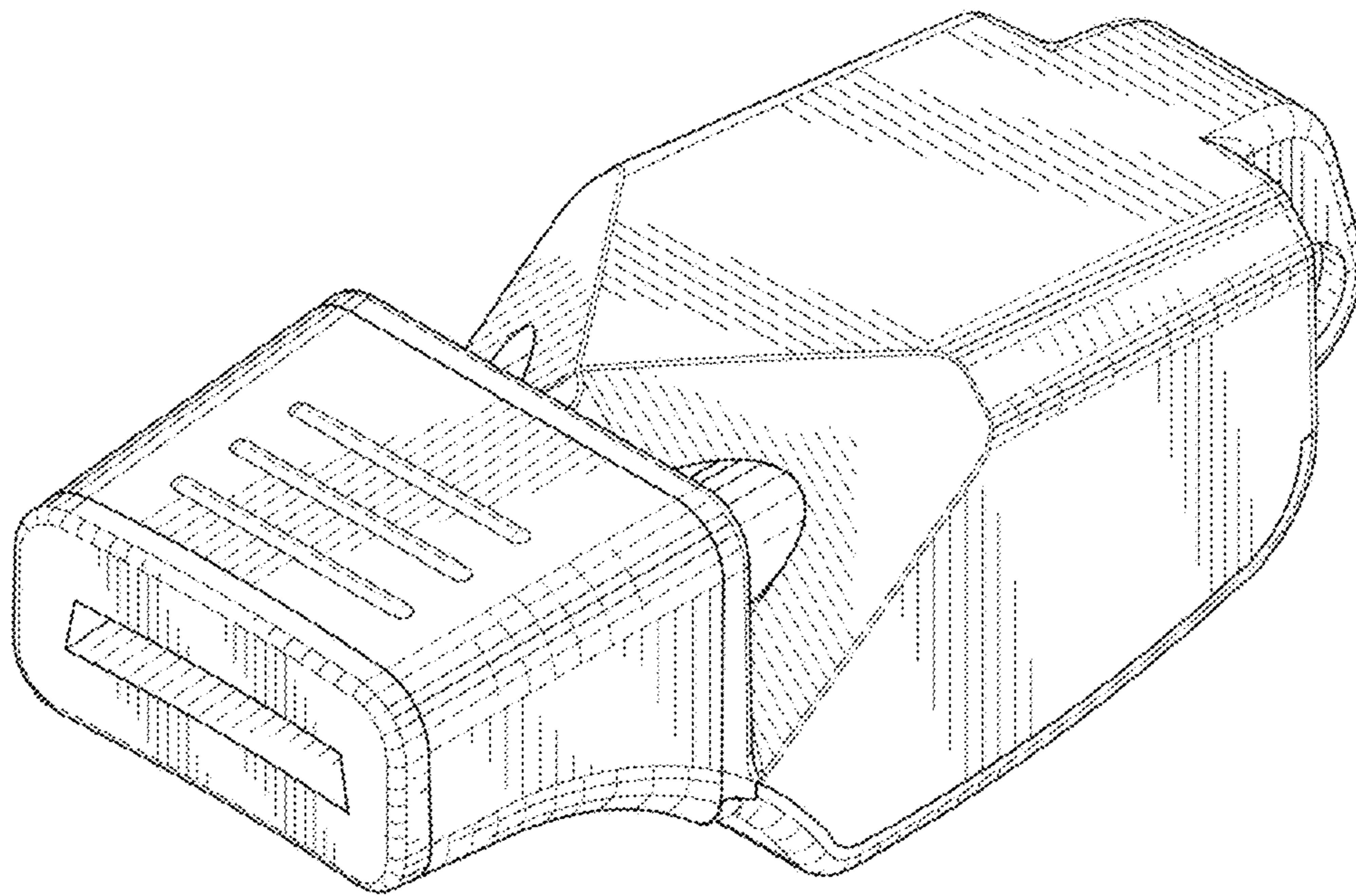


FIG.1

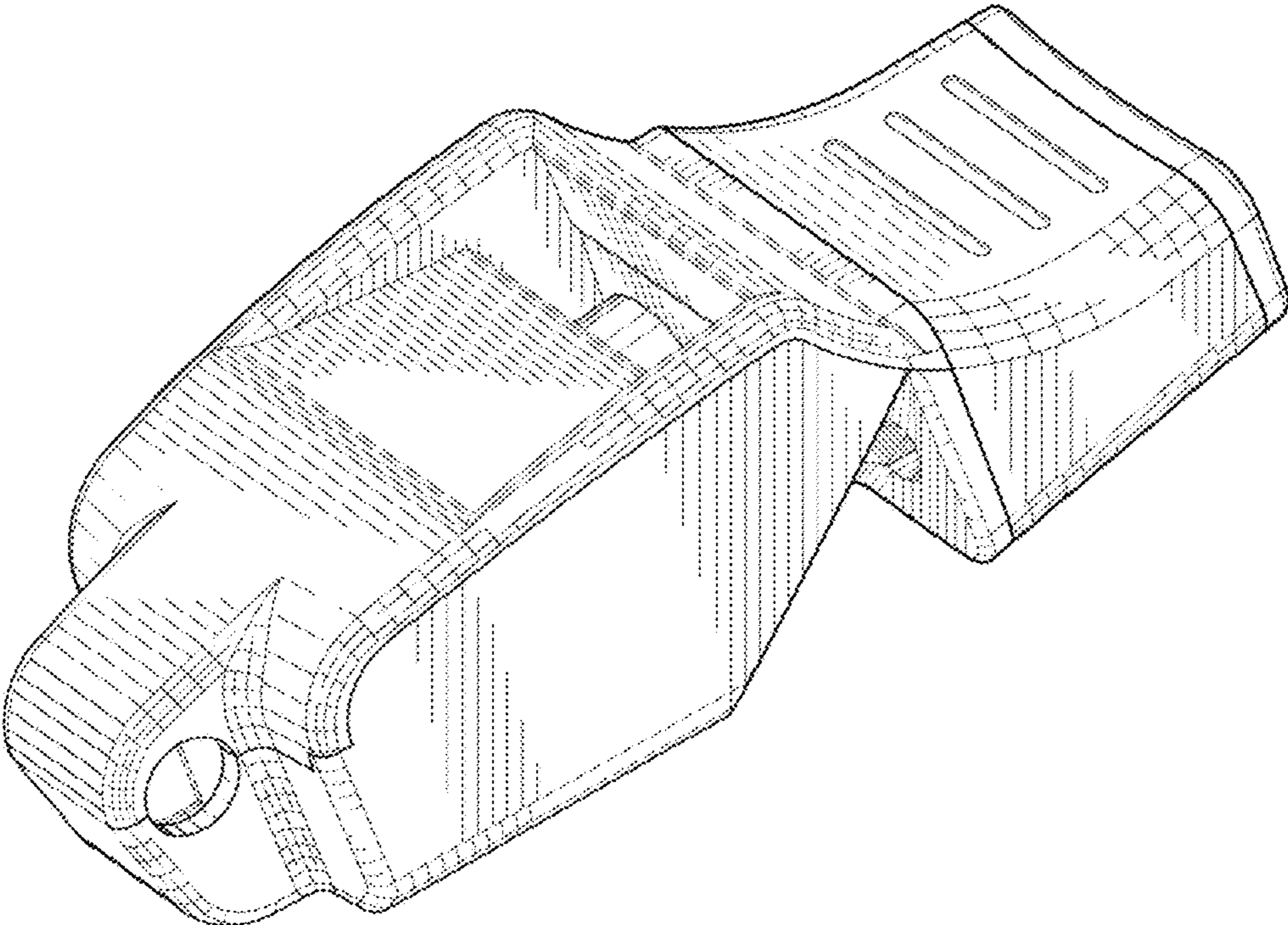


FIG.2

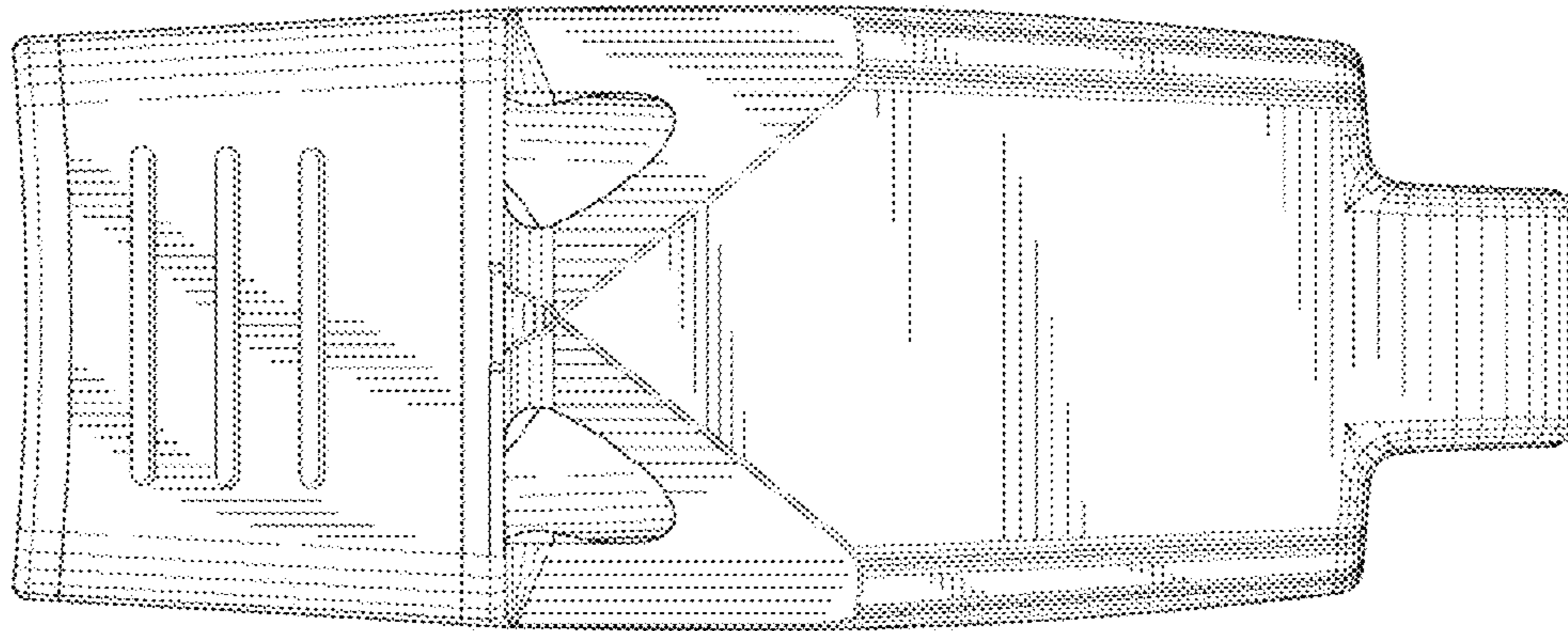


FIG. 3

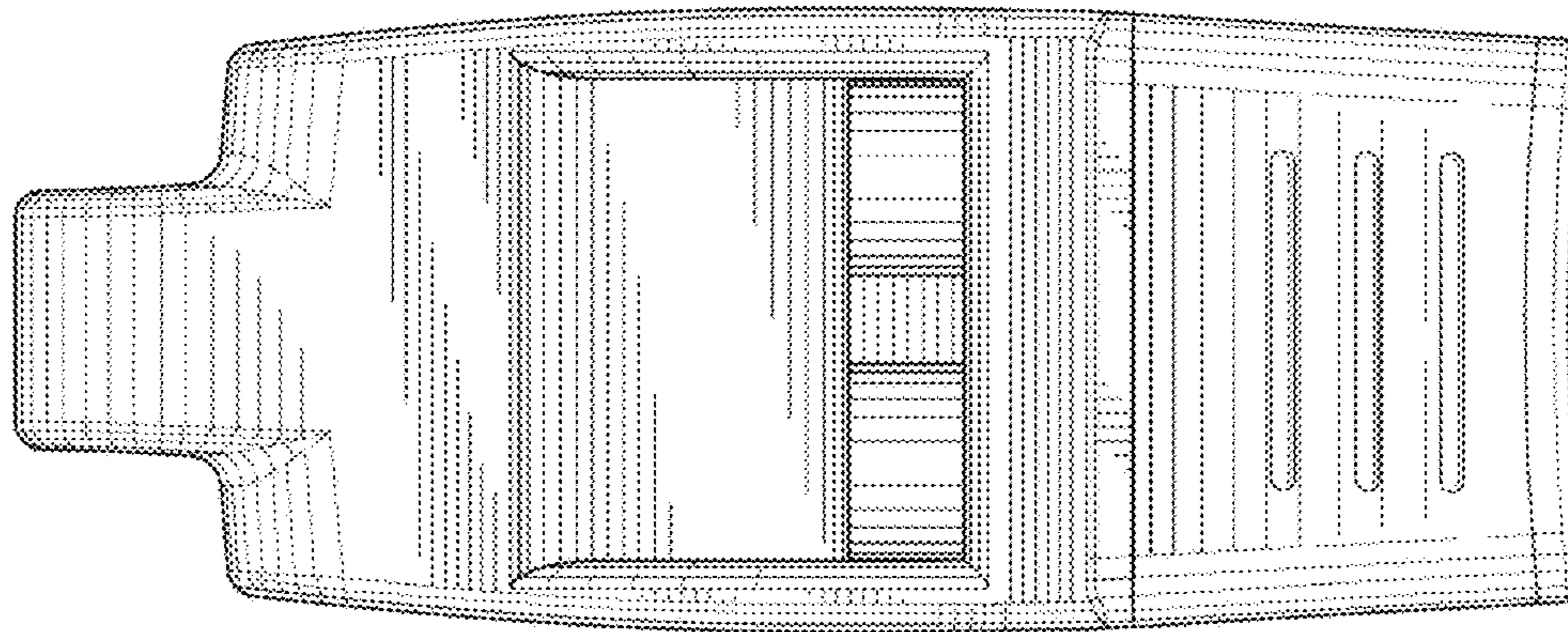


FIG. 4

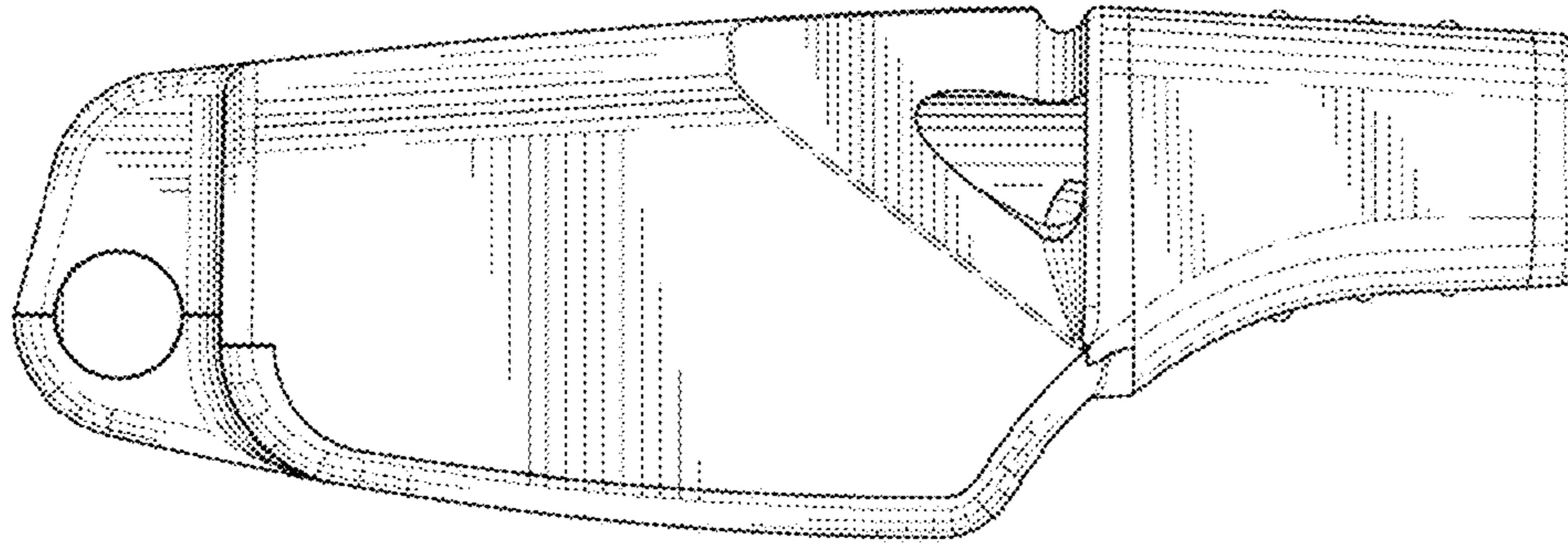


FIG.5

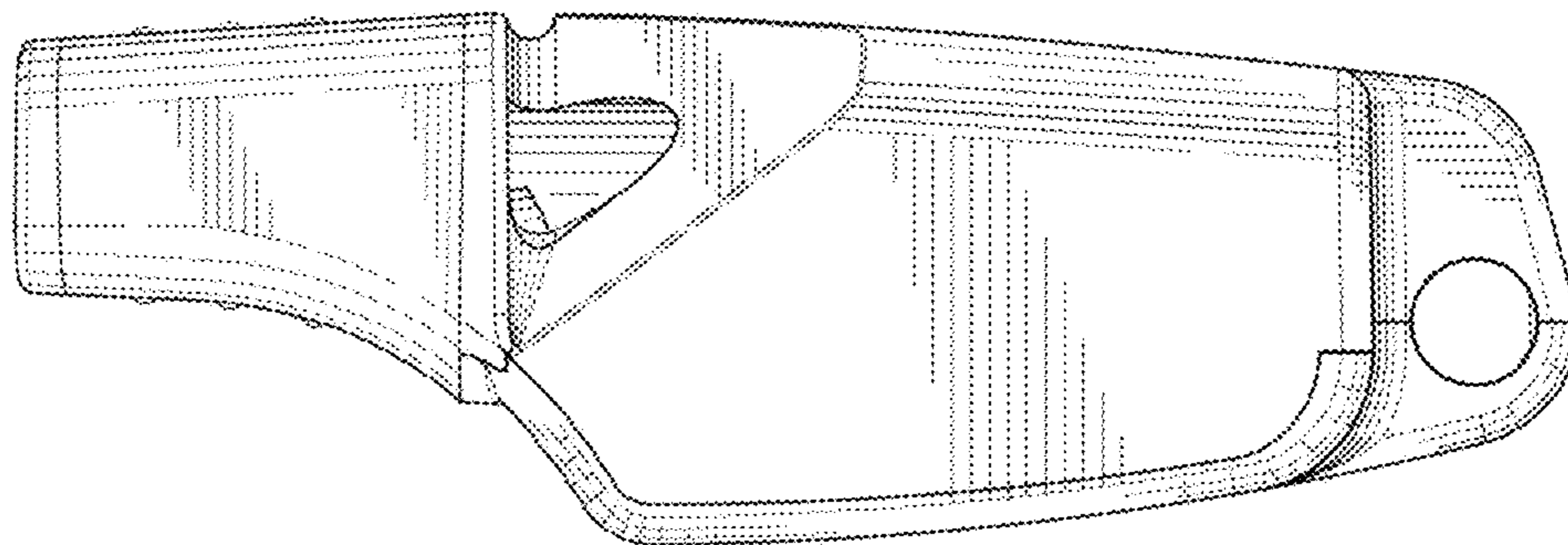


FIG.6

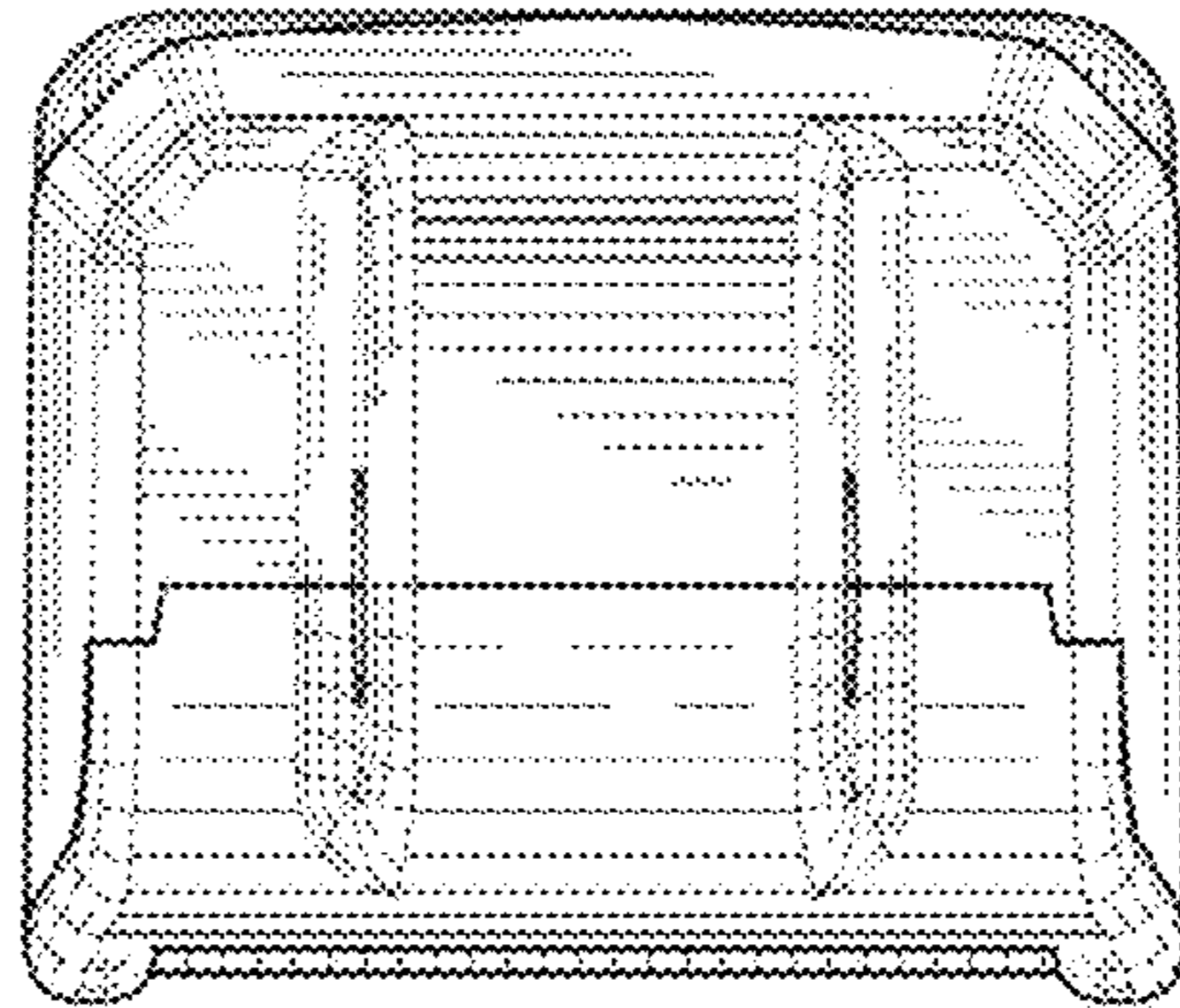


FIG. 7

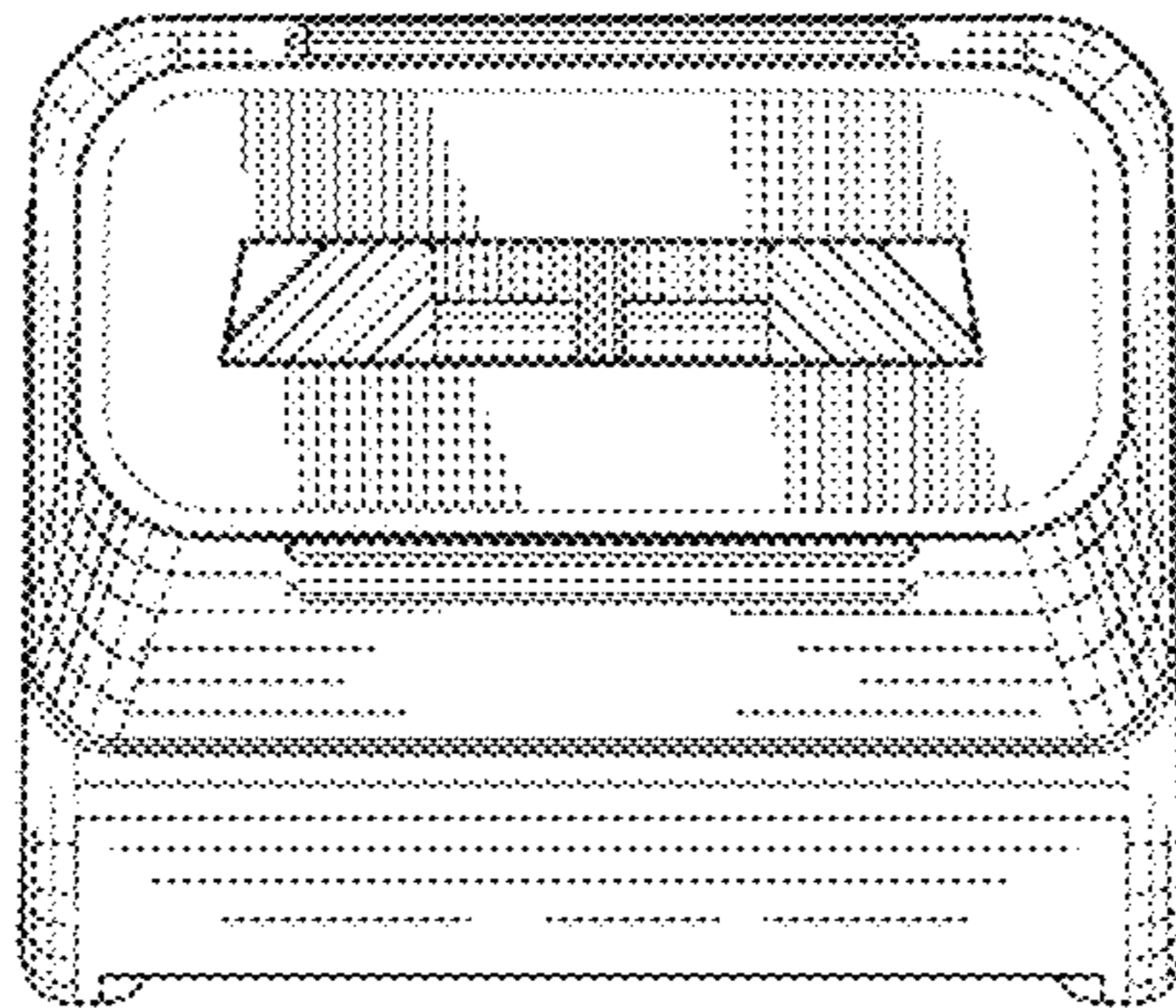


FIG. 8