



US00D862270S

(12) **United States Design Patent** (10) **Patent No.:** **US D862,270 S**  
**Povoli** (45) **Date of Patent:** **\*\* Oct. 8, 2019**

(54) **PARKING BLOCK COVER**  
(71) Applicant: **Alexander Benjamin Povoli**, Pompano Beach, FL (US)  
(72) Inventor: **Alexander Benjamin Povoli**, Pompano Beach, FL (US)  
(\*\*) Term: **15 Years**

5,028,463 A \* 7/1991 Cahill ..... B29C 70/70  
264/263  
5,639,179 A \* 6/1997 Jensen ..... E01F 9/535  
404/16  
D413,261 S \* 8/1999 Yerich ..... D11/143  
D418,167 S \* 12/1999 Stutsman ..... D20/10  
D420,928 S \* 2/2000 Spiller ..... D10/113.3  
D425,440 S \* 5/2000 Franklin ..... D10/113.3  
D426,000 S \* 5/2000 Jonasz ..... D25/102

(Continued)

(21) Appl. No.: **29/623,101**  
(22) Filed: **Oct. 23, 2017**

**Related U.S. Application Data**

(63) Continuation-in-part of application No. 15/642,219, filed on Jul. 5, 2017, now abandoned.  
(51) **LOC (12) Cl.** ..... **10-05**  
(52) **U.S. Cl.**  
USPC ..... **D10/113.3**  
(58) **Field of Classification Search**  
USPC ..... D10/113.1, 113.2, 113.3, 113.4, 121;  
D12/217, 120, 114; D23/255, 259, 261,  
D23/266, 267, 372, 388; D25/102, 113,  
D25/119, 120, 121, 126, 136, 164;  
D11/151, 155, 156, 159; D30/131, 132,  
D30/133; D6/672, 675, 683; D3/30, 314  
CPC . E01F 9/578; E01F 15/14; E01F 9/576; E01F  
9/588  
See application file for complete search history.

(56) **References Cited**

**U.S. PATENT DOCUMENTS**

3,636,829 A \* 1/1972 Palmer ..... E01F 9/588  
404/7  
4,159,605 A \* 7/1979 Ilukowicz ..... B28B 23/024  
249/91  
D264,791 S \* 6/1982 Conti ..... D3/314  
4,594,021 A \* 6/1986 Schafer ..... E01C 11/223  
404/14  
D313,569 S \* 1/1991 Allard ..... D10/121

**OTHER PUBLICATIONS**

Available Jun. 11, 2016, [online], [site visited Feb. 23, 2019].  
Available from Internet, <URL:http://www.speedbumpsandhumps.com/premium-rubber-wheelstops> (Year: 2016).\*

(Continued)

*Primary Examiner* — Cathron C Brooks  
*Assistant Examiner* — Katrina N Gonzalez

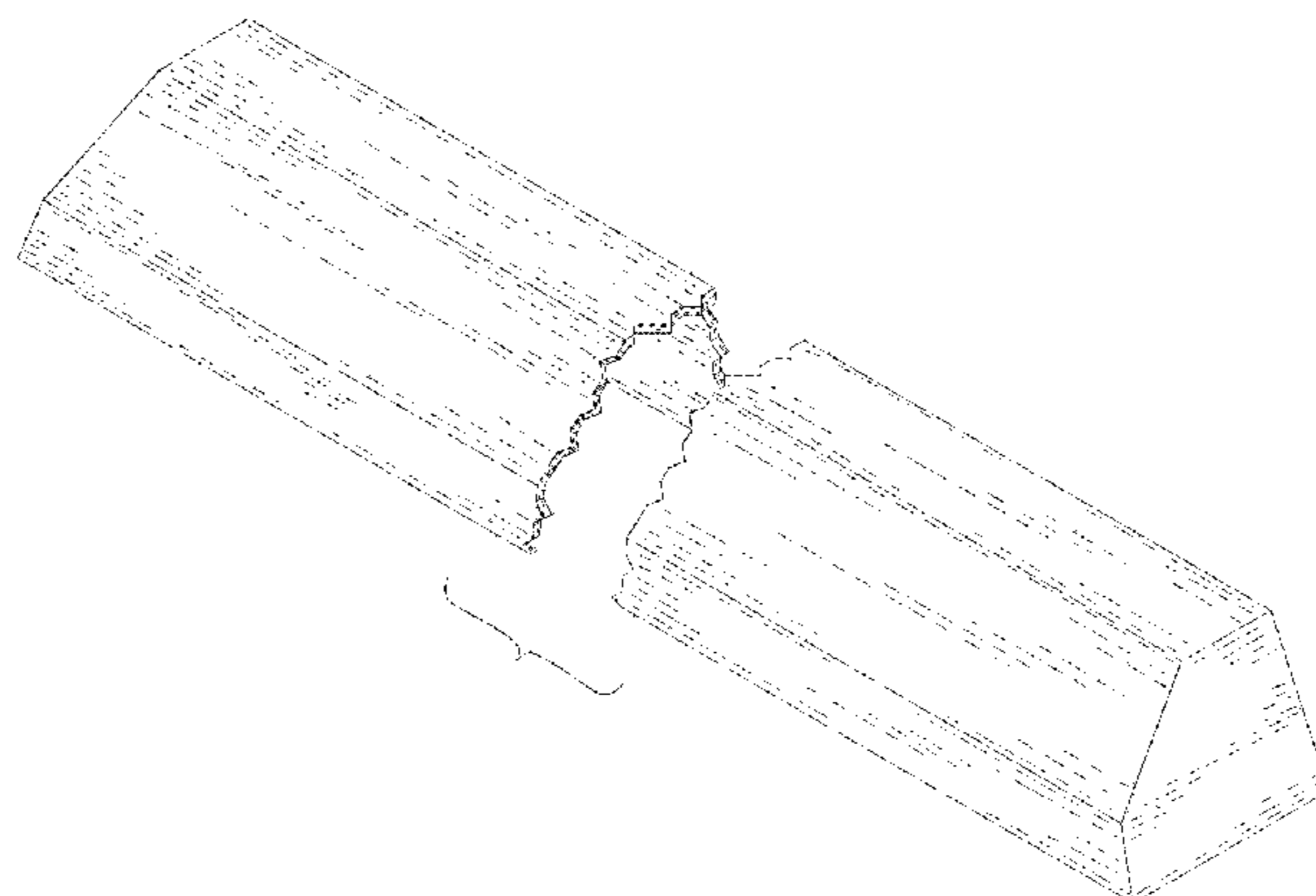
(57) **CLAIM**

The ornamental design for a parking block cover, as shown and described.

**DESCRIPTION**

FIG. 1 is a top perspective view of a parking block cover showing my new design;  
FIG. 2 is a bottom perspective view thereof;  
FIG. 3 is a front view thereof;  
FIG. 4 is a rear view thereof;  
FIG. 5 is a left-side view thereof;  
FIG. 6 is a right-side view thereof;  
FIG. 7 is a top view thereof; and,  
FIG. 8 is a bottom view thereof.  
The parking block cover is shown with a symbolic break in its length. The appearance of any portion of the article between the break lines forms no part of the claimed design.

**1 Claim, 8 Drawing Sheets**



(56)

References Cited

U.S. PATENT DOCUMENTS

D458,177 S \* 6/2002 Spiller ..... D10/113.3  
 D460,013 S \* 7/2002 Spiller ..... D10/113.3  
 D461,138 S \* 8/2002 Spiller ..... D10/113.3  
 D466,829 S \* 12/2002 Hsia ..... D11/155  
 6,692,182 B1 \* 2/2004 Fenimore ..... E01F 15/083  
 404/7  
 D543,926 S \* 6/2007 Kutzler ..... D12/217  
 D625,677 S \* 10/2010 Robbins, Sr. .... D12/217  
 7,997,823 B2 \* 8/2011 Meyers ..... E01F 15/003  
 404/6  
 D675,127 S \* 1/2013 DiMaggio ..... D11/143  
 D756,254 S \* 5/2016 Hinebaugh ..... D10/113.3  
 D756,255 S \* 5/2016 Hinebaugh ..... D10/113.3  
 D756,256 S \* 5/2016 Hinebaugh ..... D10/113.3  
 D756,257 S \* 5/2016 Hinebaugh ..... D10/113.3  
 D833,587 S \* 11/2018 Neumann ..... D23/267  
 2011/0061275 A1 \* 3/2011 Ginebra Giudicelli .....  
 G09F 13/0413  
 40/572  
 2015/0010353 A1 \* 1/2015 Povoli ..... E01F 9/588  
 404/6

2016/0040376 A1 \* 2/2016 Povoli ..... E01F 9/578  
 404/8  
 2017/0298582 A1 \* 10/2017 Povoli ..... E01F 9/578  
 2018/0187386 A1 \* 7/2018 Povoli ..... E01F 15/086

OTHER PUBLICATIONS

Available Sep. 15, 2017, [online], [site visited Feb. 23, 2019].  
 Available from Internet, <URL:http://www.speedbumpsandhumps.com/8-foot-truck-blocks> (Year: 2017).\*

Available Apr. 3, 2016, [online], [site visited Apr. 14, 2019].  
 Available from Internet, <URL:https://web.archive.org/web/20160403143550/https://www.worldblock.com/parking-curb-7-curb-form.html> (Year: 2016).\*

Available Apr. 4, 2012, [online], [site visited Apr. 14, 2019].  
 Available from Internet, <URL:https://www.purplewave.com/auction/120304/item/D3561> (Year: 2012).\*

Available Sep. 7, 2010, [online], [site visited Apr. 14, 2019].  
 Available from Internet, <URL:https://web.archive.org/web/20100907081510/http://www.leonardmarrinc.com/products/concrete-parking-barrier-forms.html> (Year: 2010).\*

Available Apr. 26, 2019, [online], [site visited Apr. 26, 2019].  
 Available from Internet, <URL:https://www.flytesofancy.co.uk/chickenhouses/Economy\_Chick\_troughs.html> (Year: 2019).\*

\* cited by examiner

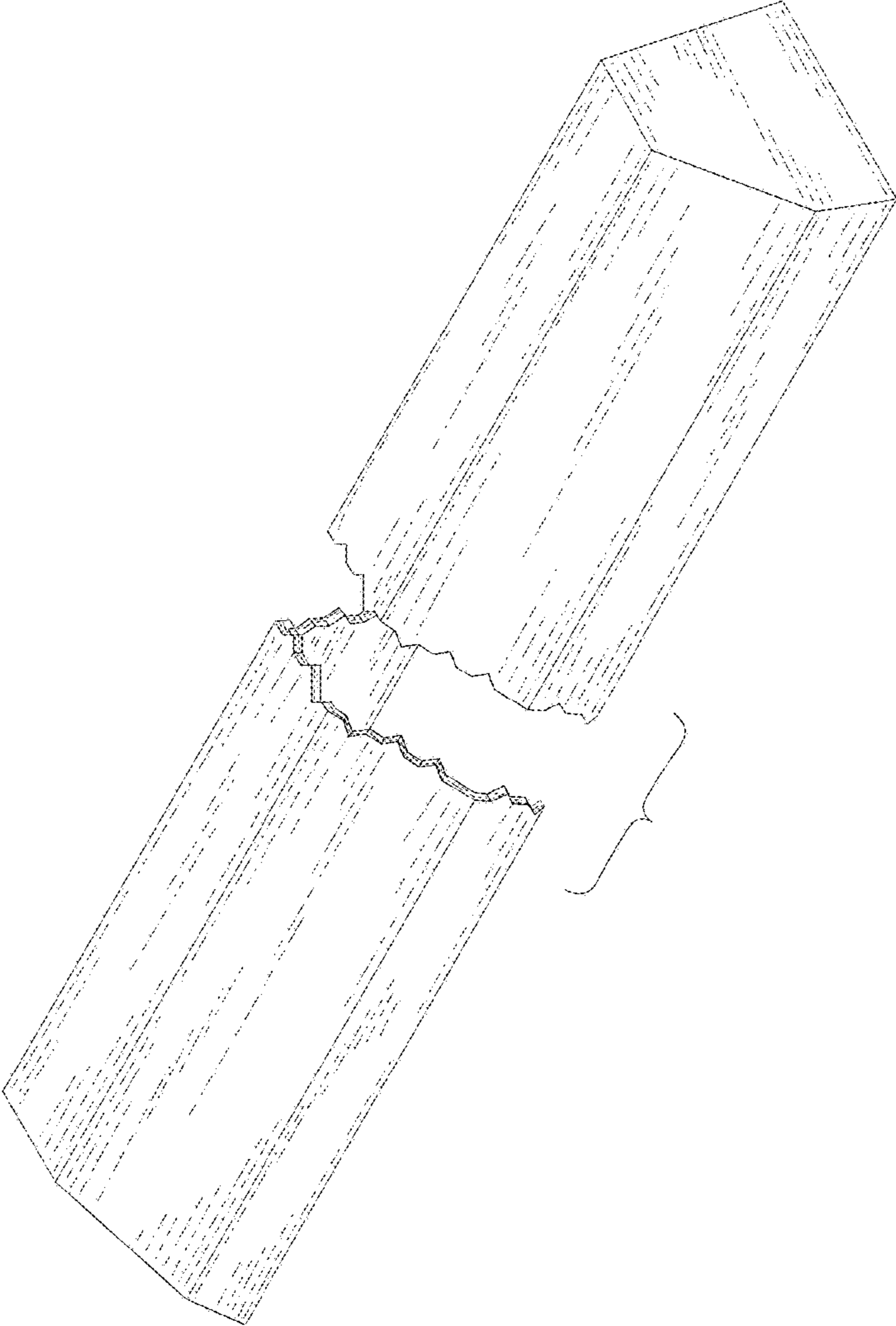


FIG. 1

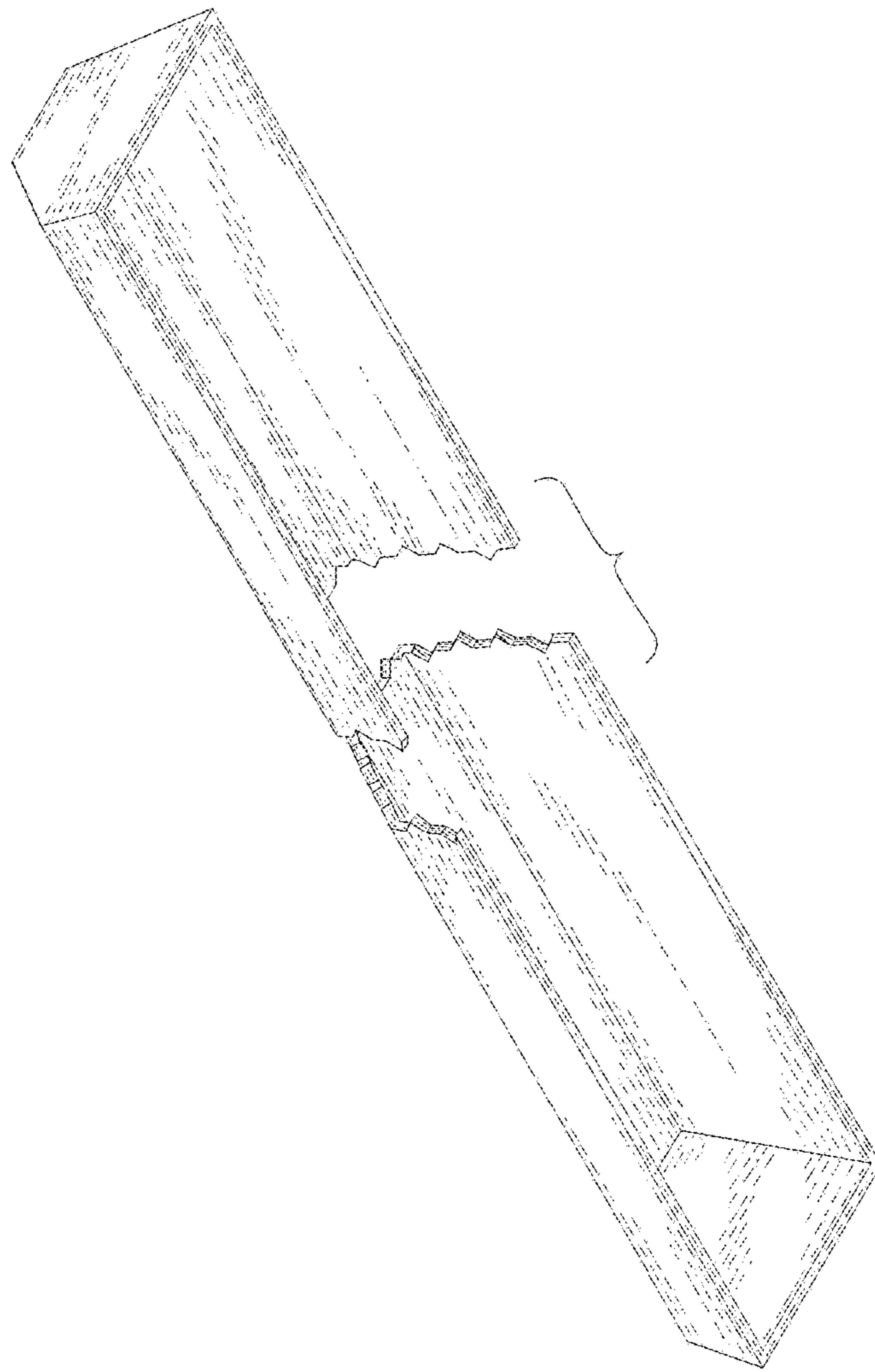


FIG. 2

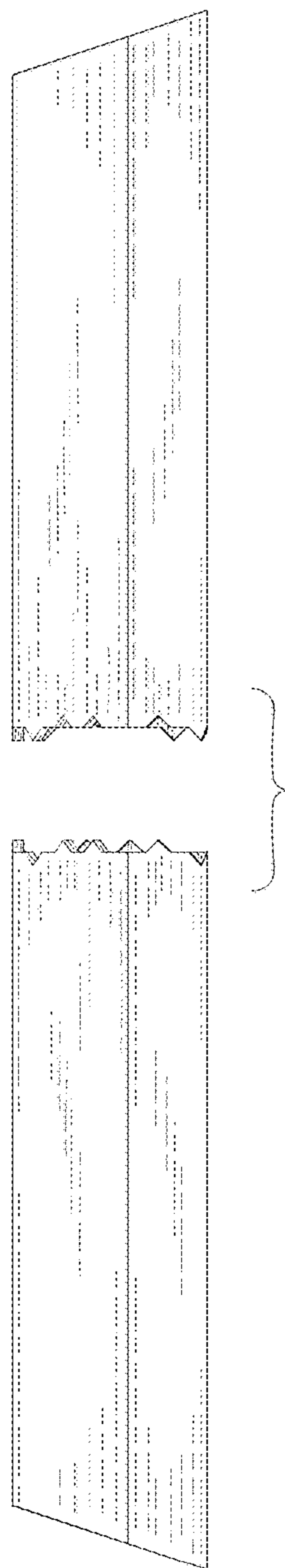


FIG. 3



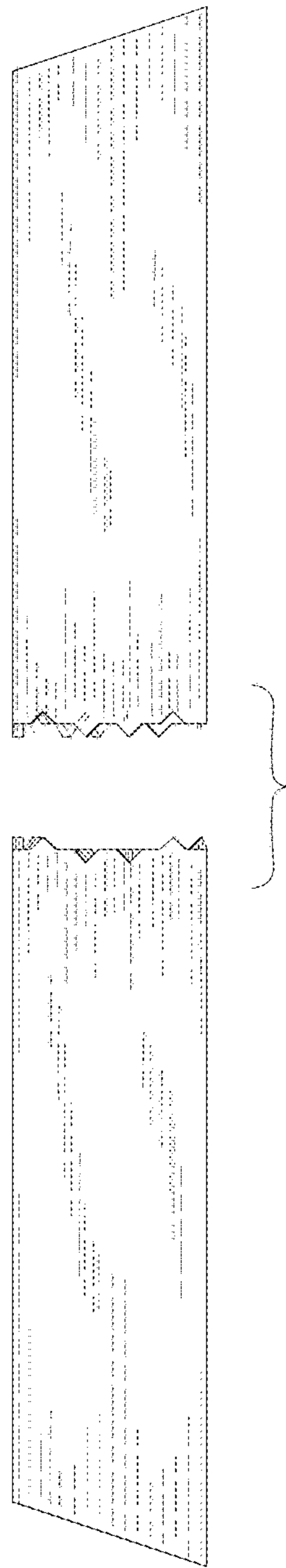


FIG. 4

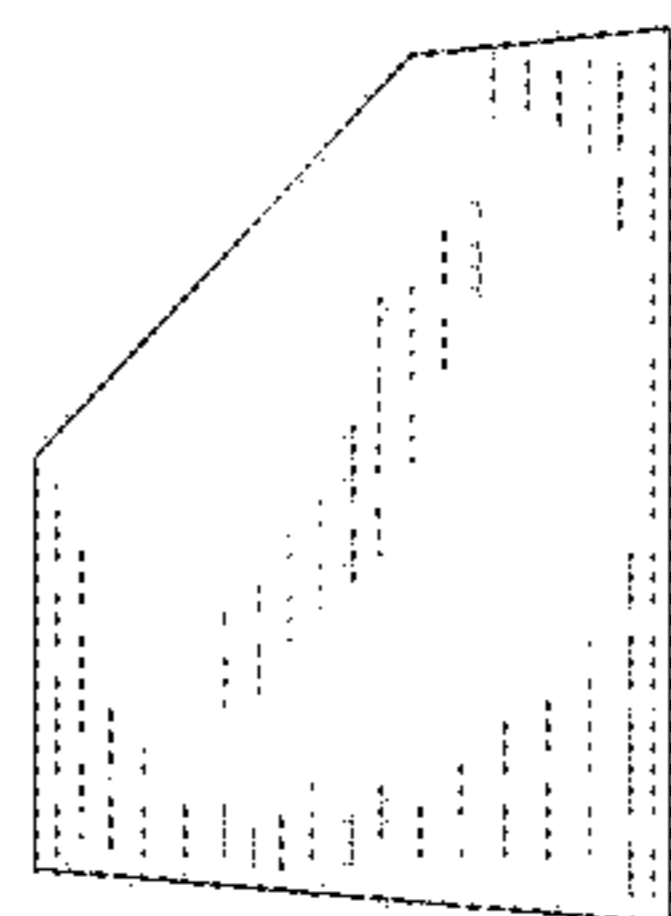


FIG. 5

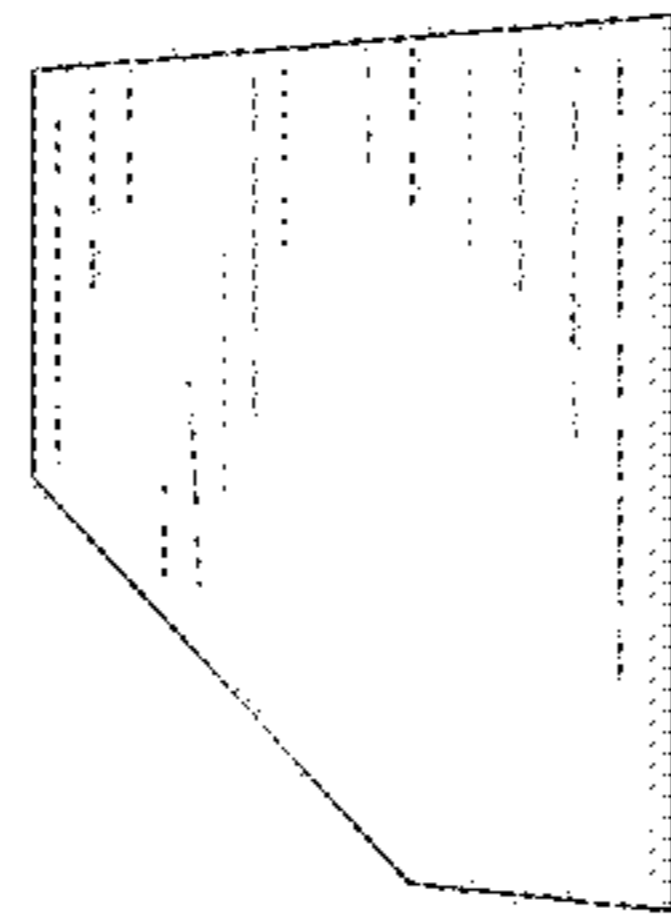


FIG. 6



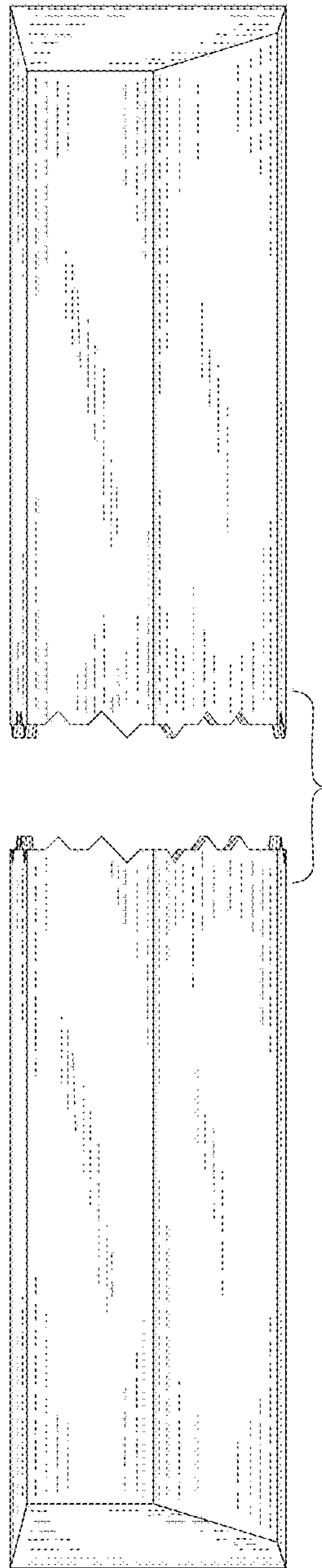


FIG. 7

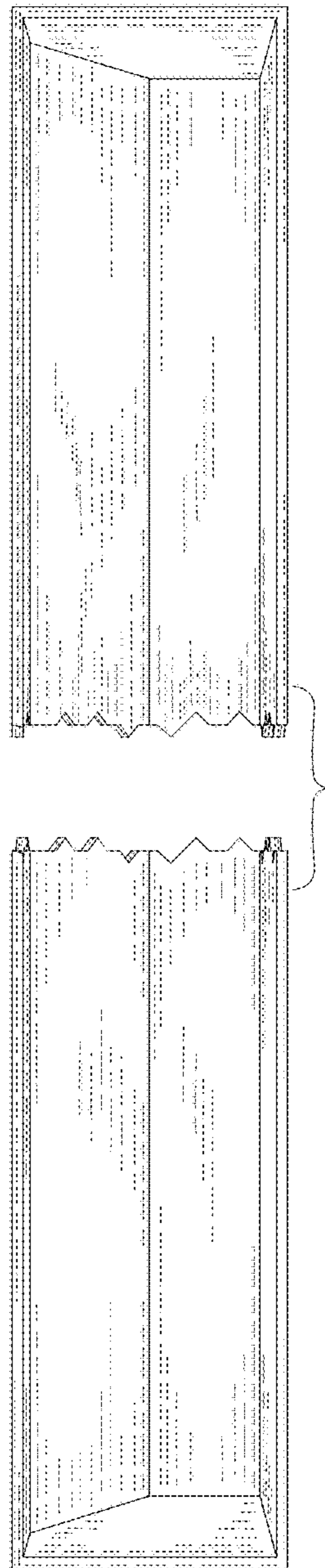


FIG. 8