



US00D862269S

(12) **United States Design Patent**
Khezir

(10) **Patent No.:** **US D862,269 S**

(45) **Date of Patent:** **** Oct. 8, 2019**

(54) **HANDHELD TRAFFIC SIGNALING DEVICE**

(71) Applicant: **Wadak K. Khezir**, Van Buren
Township, MI (US)

(72) Inventor: **Wadak K. Khezir**, Van Buren
Township, MI (US)

(**) Term: **15 Years**

(21) Appl. No.: **29/680,877**

(22) Filed: **Feb. 20, 2019**

(51) **LOC (12) Cl.** **10-05**

(52) **U.S. Cl.**
USPC **D10/109.2**

(58) **Field of Classification Search**
USPC D10/109.1, 109.2, 114.1, 114.5, 114.9,
D10/111; D26/21
CPC B60Q 7/00; F21S 9/022; H05B 39/09;
G08G 1/07
See application file for complete search history.

(56) **References Cited**

U.S. PATENT DOCUMENTS

2,674,726	A *	4/1954	Williams	H05B 39/09 340/953
D173,826	S *	1/1955	Wiswell	D10/114.1
D207,931	S *	6/1967	Huret	D10/111
D217,926	S *	6/1970	Eisele et al.	D26/41
4,177,500	A *	12/1979	Nicholl	F21S 9/022 315/86
5,103,383	A *	4/1992	Mayhew	B60Q 7/00 362/158
D400,462	S *	11/1998	Ivanovic	D10/114.9
D418,077	S *	12/1999	Lucas	D10/114.1

6,104,313	A	8/2000	Boyd	
6,239,691	B1	5/2001	Preisler	
D449,011	S *	10/2001	Kuvlesky D10/114.9
D516,447	S	3/2006	Barnett	
D543,644	S	5/2007	Bembridge	
D598,315	S *	8/2009	Miyatake D10/109.2
D679,621	S *	4/2013	Ivanovic D10/114.9
D757,588	S	5/2016	Stuffle	
D803,713	S	11/2017	Engstrom	
D807,768	S *	1/2018	Cordero D10/113.4
D838,204	S *	1/2019	Kifer D10/109.1
2012/0216436	A1 *	8/2012	Adair G08G 1/07 40/559

* cited by examiner

Primary Examiner — George D. Kirschbaum

(74) *Attorney, Agent, or Firm* — Mitchell Law PLLC;
Matthew W. Mitchell

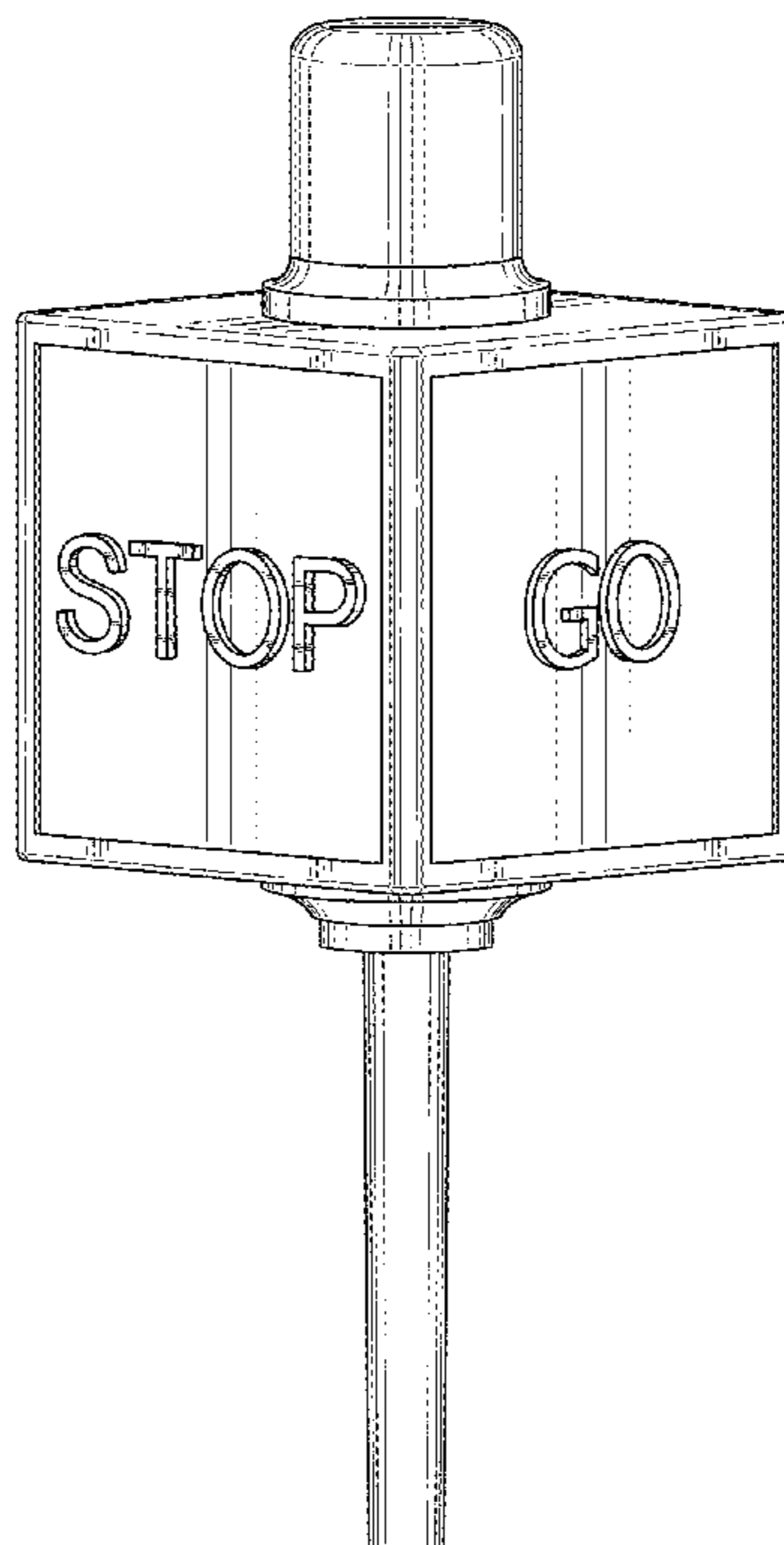
(57) **CLAIM**

The ornamental design for a handheld traffic signaling device, as shown and described.

DESCRIPTION

FIG. 1 is a front isometric view of the handheld traffic signaling device of the present invention;
FIG. 2 is rear isometric view thereof, rotated 90 degrees from FIG. 1;
FIG. 3 is a front view thereof;
FIG. 4 is a left-side view thereof;
FIG. 5 is a rear view thereof;
FIG. 6 is a right-side view thereof;
FIG. 7 is a top plan view thereof; and,
FIG. 8 is a bottom plan view thereof.

1 Claim, 8 Drawing Sheets



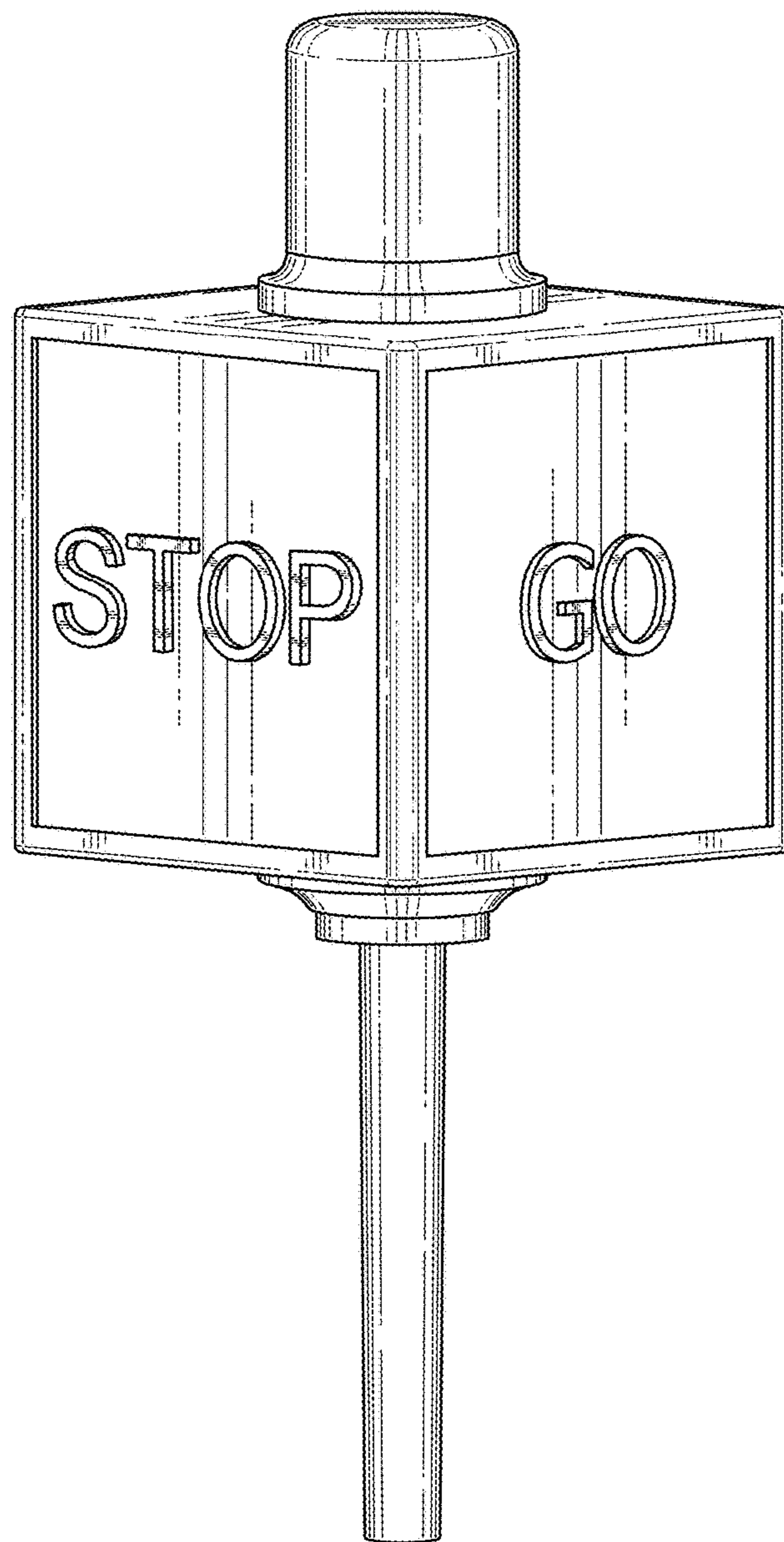


FIG. 1

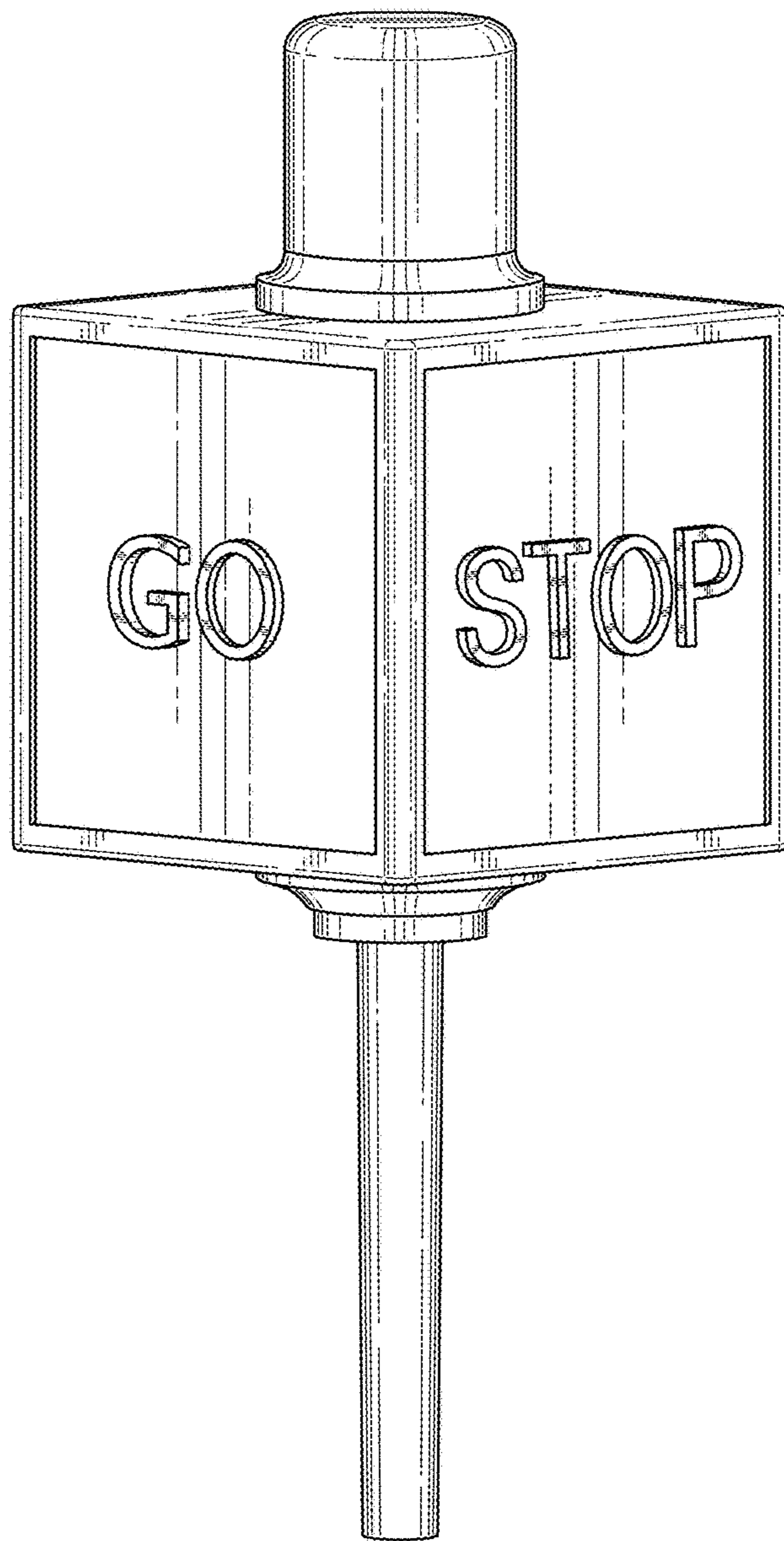


FIG. 2

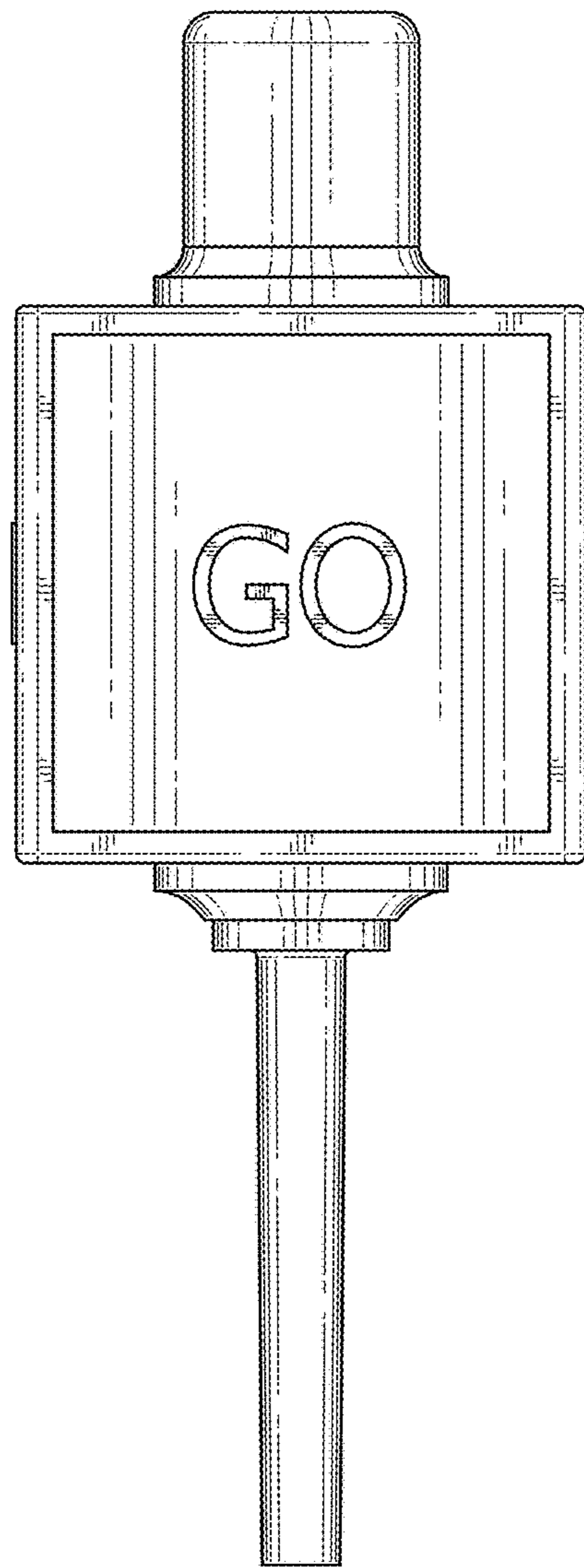


FIG. 3

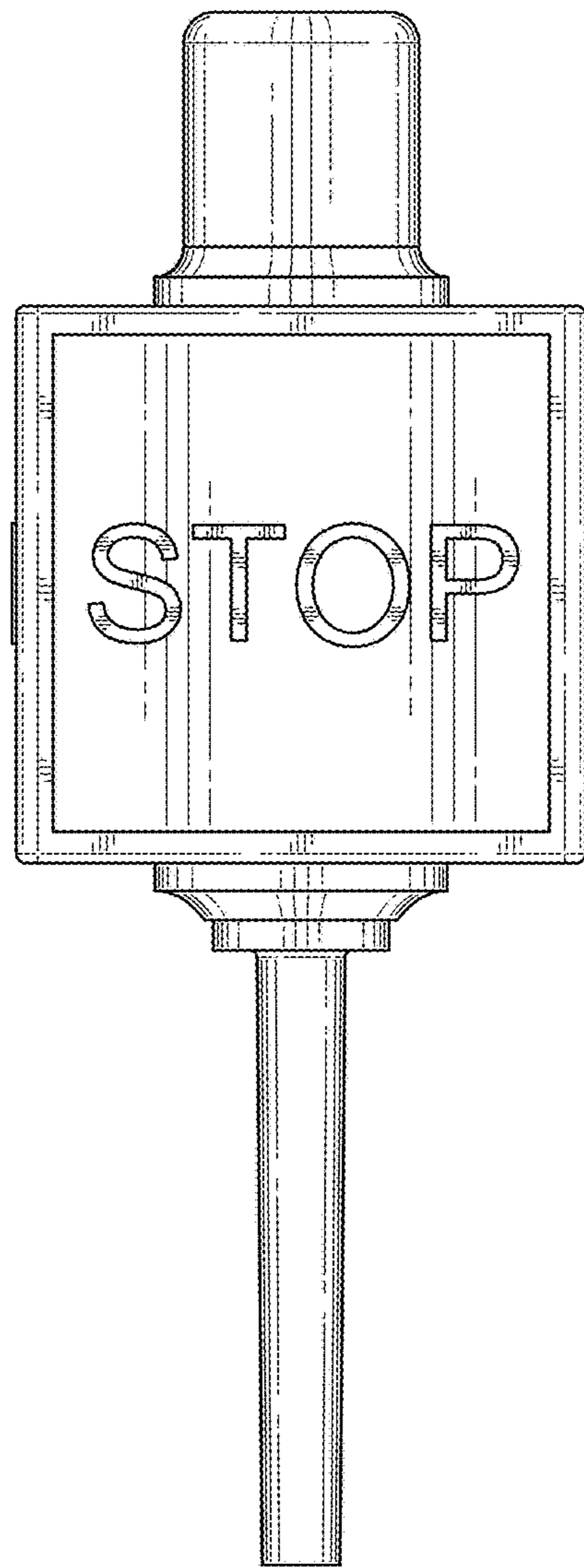


FIG. 4

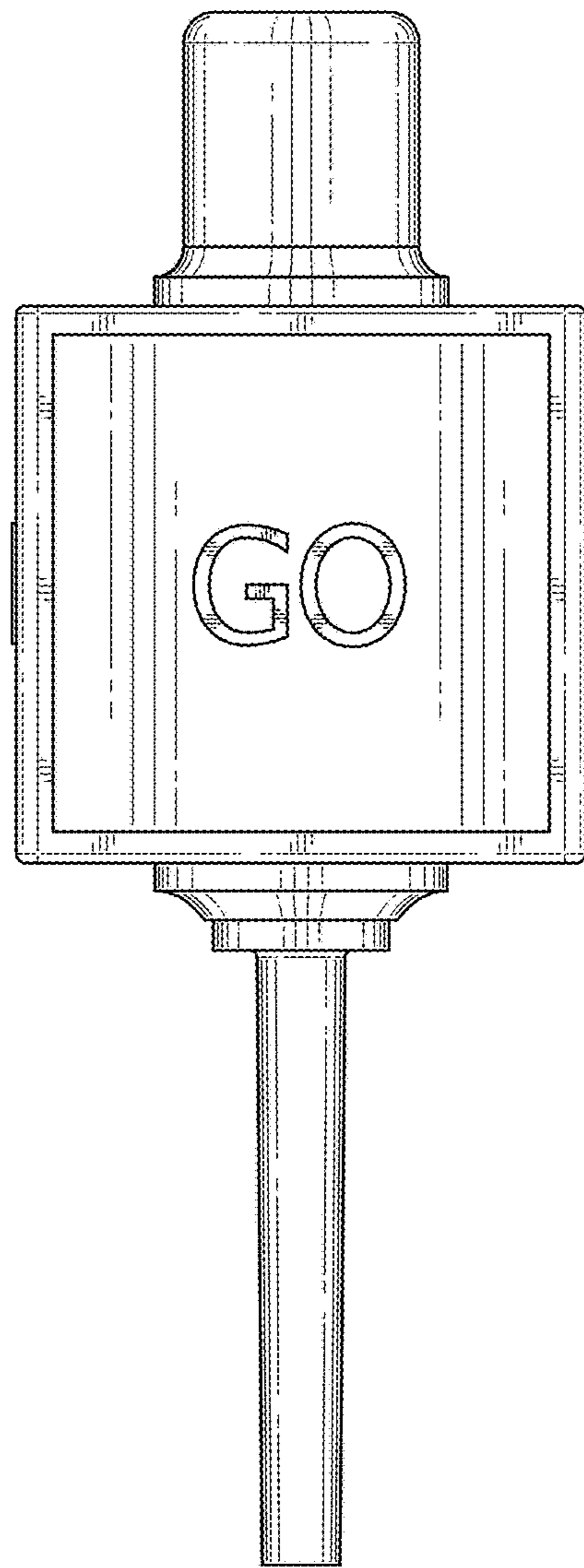


FIG. 5

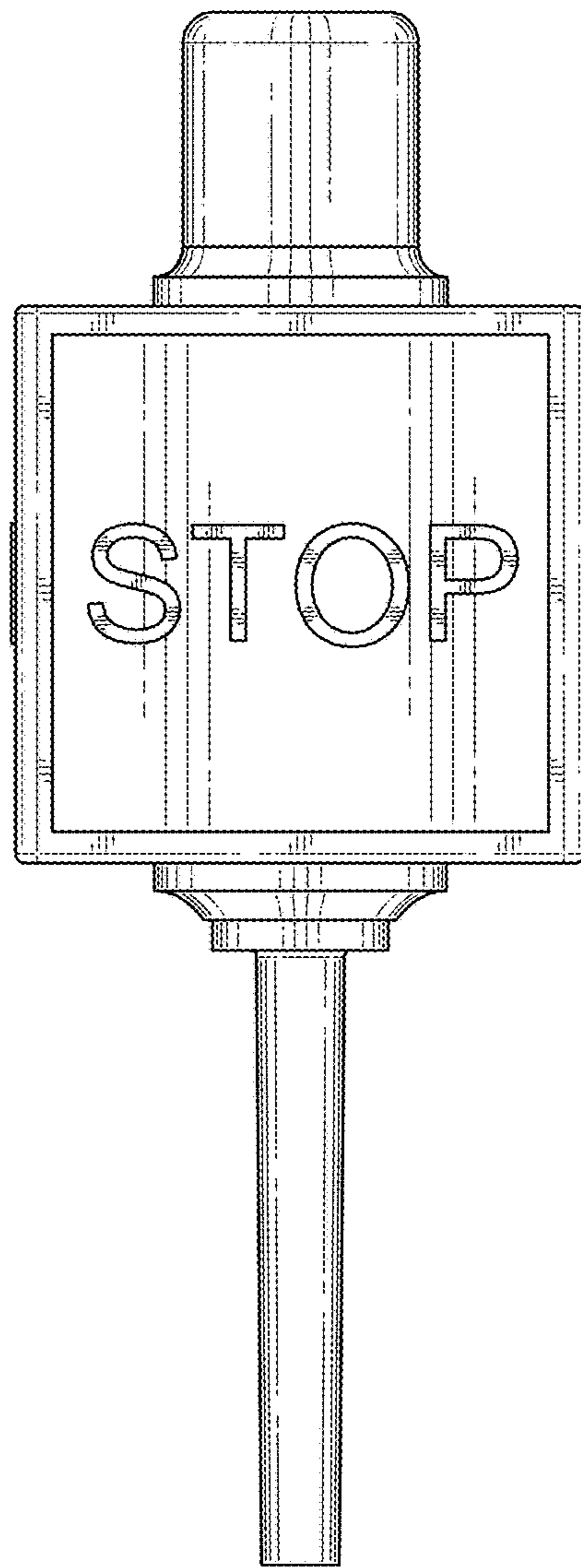


FIG. 6

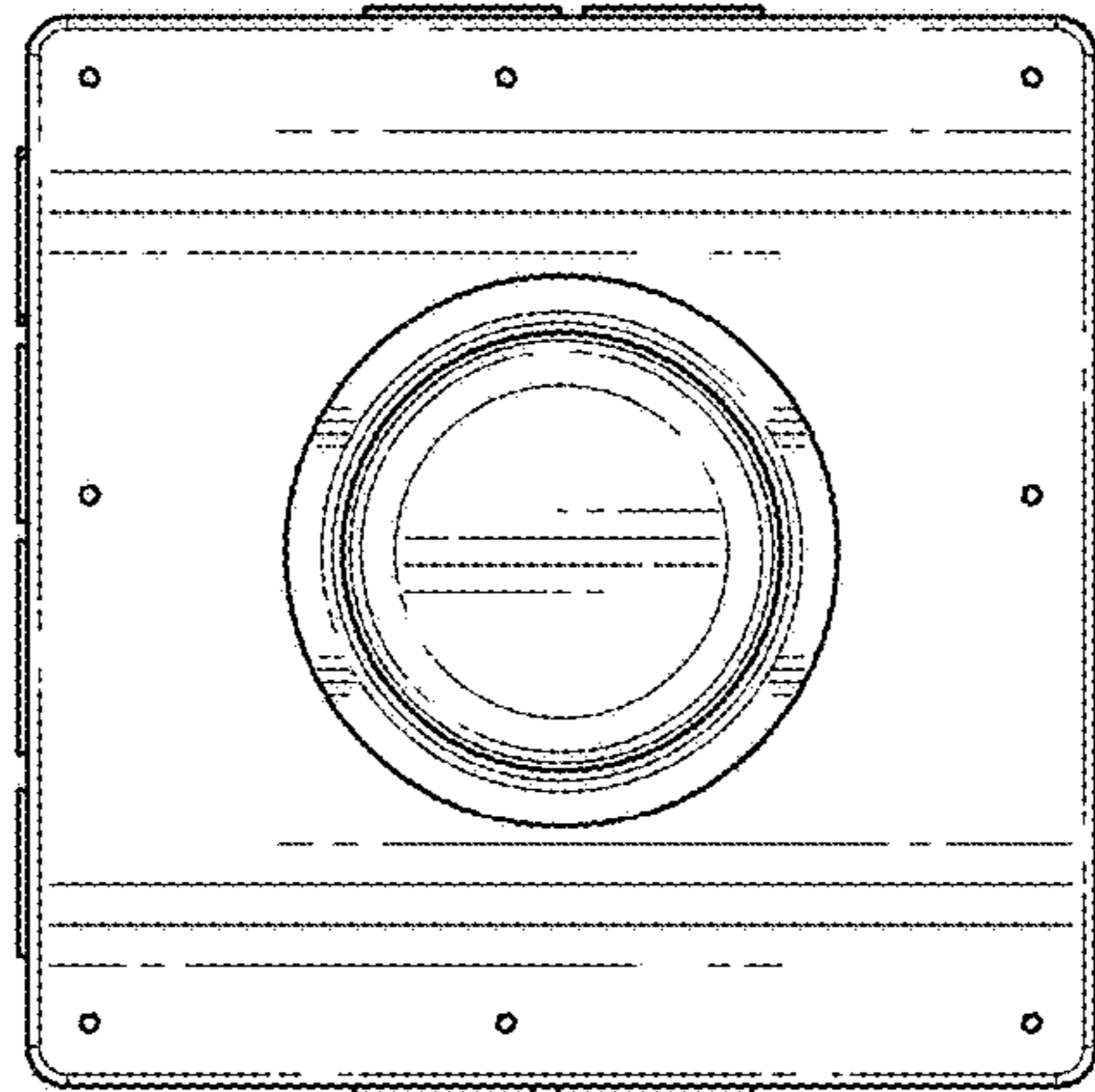


FIG. 7

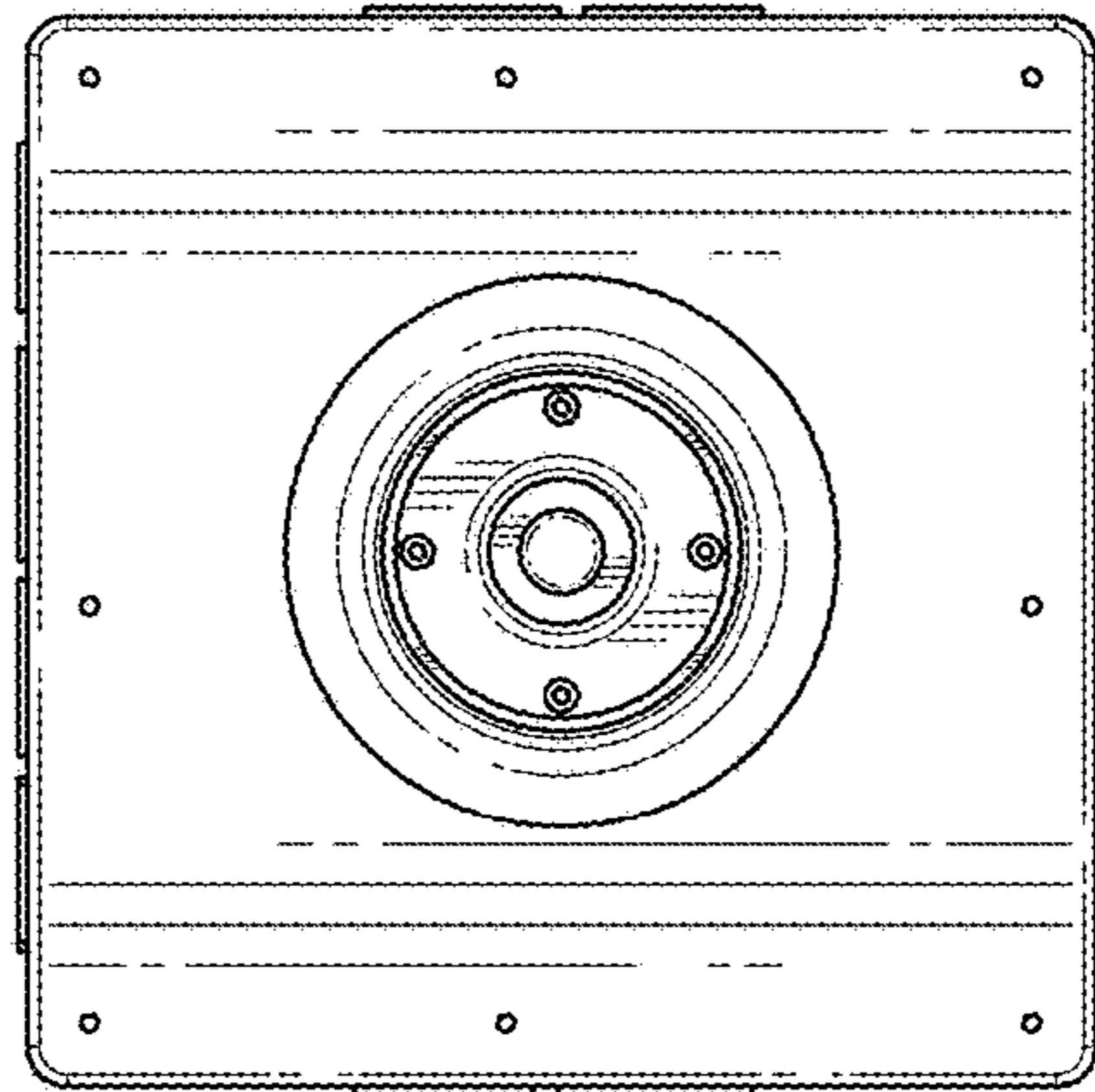


FIG. 8