



US00D862267S

(12) **United States Design Patent** (10) **Patent No.:** **US D862,267 S**
Hendricks et al. (45) **Date of Patent:** **** Oct. 8, 2019**

(54) **LIGHT SENSOR**

CPC .. B60R 1/076; G08G 1/096883; G01C 21/16;
G01C 21/3688; G01C 21/30
See application file for complete search history.

(71) Applicant: **Gentex Corporation**, Zeeland, MI (US)

(72) Inventors: **Michael G. Hendricks**, Wyoming, MI (US); **Christopher B. Case**, Caledonia, MI (US); **James E. Marsh**, Zeeland, MI (US); **Gregory A. Herrema**, Grandville, MI (US); **Paul K. Postma**, Zeeland, MI (US); **Douglas J. Newhouse**, Zeeland, MI (US)

(56) **References Cited**

U.S. PATENT DOCUMENTS

D197,816 S *	3/1964	Hendricks	D16/239
D232,477 S *	8/1974	Moon	D26/28
D249,740 S *	9/1978	Vetter	D26/28
D328,587 S *	8/1992	Arbisi	D12/187

(Continued)

(73) Assignee: **GENTEX CORPORATION**, Zeeland, MI (US)

(**) Term: **15 Years**

OTHER PUBLICATIONS

Available Mar. 9, 2017, [online], [site visited May 15, 2018]. Available from Internet, URL:<https://www.shopdap.com/000072548e-autodimming-home-link-mirror-mk7-gti.html> (Year: 2017).*

(Continued)

(21) Appl. No.: **29/544,339**

Primary Examiner — Cathron C Brooks

(22) Filed: **Nov. 2, 2015**

Assistant Examiner — Katrina N Gonzalez

(51) **LOC (12) Cl.** **10-05**

(74) *Attorney, Agent, or Firm* — Price Heneveld LLP; Bradley D. Johnson

(52) **U.S. Cl.**

USPC **D10/106.7**; D12/187

(57) **CLAIM**

(58) **Field of Classification Search**

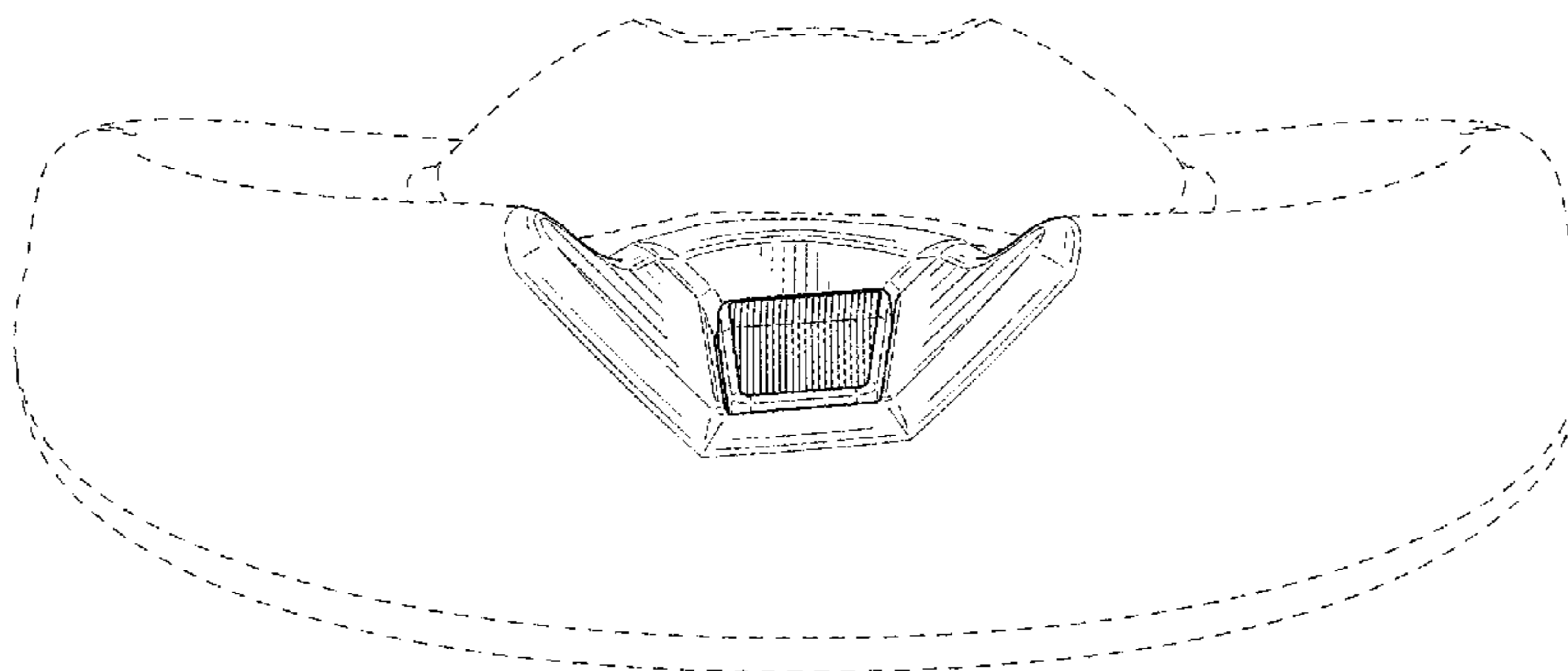
USPC D10/104.1, 104.2, 105, 106.1, 106.2, D10/106.3, 106.4, 106.5, 106.6, 106.7, D10/106.8, 106.9, 106.91, 106.92, 106.93, D10/106.94, 106.95, 107, 108, 109.1, D10/109.2, 110, 111, 112, 113.1, 113.2, D10/113.3, 113.4, 114.1, 114.2, 114.3, D10/114.4, 114.5, 114.6, 114.7, 114.8, D10/114.9, 115, 116.1, 117, 118, 118.1, D10/118.2, 119.1, 119.2, 119.3, 119.4, D10/120, 121; D12/415, 417, 418, 420, D12/187, 188, 189, 192, 193; D16/237, D16/238, 239; 250/216, 234, 239; 348/148, 837; 349/1, 11, 16, 149, 148, 349/150, 151, 152, 195

We claim the ornamental design for a light sensor, as shown and described.

DESCRIPTION

FIG. 1 is a front elevational view of a light sensor, showing our new design;
FIG. 2 is a rear elevational view of the light sensor of FIG. 1;
FIG. 3 is a left side elevational view of the light sensor of FIG. 1;
FIG. 4 is a right side elevational view of the light sensor of FIG. 1;
FIG. 5 is a top plan view of the light sensor of FIG. 1; and,
FIG. 6 is a bottom plan view of the light sensor of FIG. 1.

(Continued)



The broken lines illustrate environmental structure that forms no part of the claimed design.

1 Claim, 6 Drawing Sheets

(56)

References Cited

U.S. PATENT DOCUMENTS

D342,337	S *	12/1993	Wen	D26/63
D390,524	S *	2/1998	DeLine	D12/187
D430,685	S *	9/2000	Iacovelli	D26/28
D463,211	S *	9/2002	Norris	D20/42
D466,635	S *	12/2002	Lin	D26/28
D467,531	S *	12/2002	Carter	D12/187
D472,860	S *	4/2003	Vian	D12/188
D478,537	S *	8/2003	Ono	D12/187
D518,197	S *	3/2006	Osawa	D26/28
D528,486	S *	9/2006	Stahel	D12/193
D545,441	S *	6/2007	Miyachika	D24/189
D579,593	S *	10/2008	Yang	D26/28
D581,068	S *	11/2008	Kubota	D26/28
D582,077	S *	12/2008	Yang	D26/28
D584,669	S *	1/2009	Watabe	D12/187
D585,575	S *	1/2009	Crispin	D26/28
D587,828	S *	3/2009	Tanaka	D26/28
D597,259	S *	7/2009	Tremback	D29/122
D626,668	S *	11/2010	Grebert	D26/28
D638,150	S *	5/2011	Ichikawa	D26/28
D662,014	S *	6/2012	Chen	D12/187
8,237,909	B2 *	8/2012	Ostreko	B60R 1/12 349/1

D672,070	S *	12/2012	Cohen	D26/28
8,582,052	B2 *	11/2013	Ockerse	B60R 1/12 345/36
8,814,373	B2 *	8/2014	Steel	B60R 1/12 359/871
D729,715	S *	5/2015	Roth	D12/187
D738,245	S *	9/2015	Hosoda	D10/83
D739,887	S *	9/2015	Fish, Jr.	D16/202
D745,857	S *	12/2015	Funayama	D14/203.7
9,224,889	B2 *	12/2015	Fish, Jr.	H01L 31/02325
D748,711	S *	2/2016	Roth	D16/218
D755,097	S *	5/2016	Lin	D12/187
D757,151	S *	5/2016	Minikey, Jr.	D16/242
D761,168	S *	7/2016	Roth	D12/187
D786,755	S *	5/2017	Sloterbeek	D12/187
D791,661	S *	7/2017	Sato	D12/192
D791,662	S *	7/2017	Sato	D12/192
D806,322	S *	12/2017	Noordzij	D29/122
D812,125	S *	3/2018	Ostreko	D16/242
2010/0201816	A1 *	8/2010	Lee	B60R 1/12 348/148

OTHER PUBLICATIONS

Available May 15, 2018, [online], [site visited May 15, 2018].
Available from Internet, URL:http://www.wkjeeps.com/wk_smartbeam.htm (Year: 2018).*

Available Sep. 24, 2014, [online], [site visited Jun. 4, 2018].
Available from Internet, URL:<https://web.archive.org/web/20140924183652/http://www.gentex.com/automotive/products/forward-driving-assist>> (Year: 2014).*

* cited by examiner

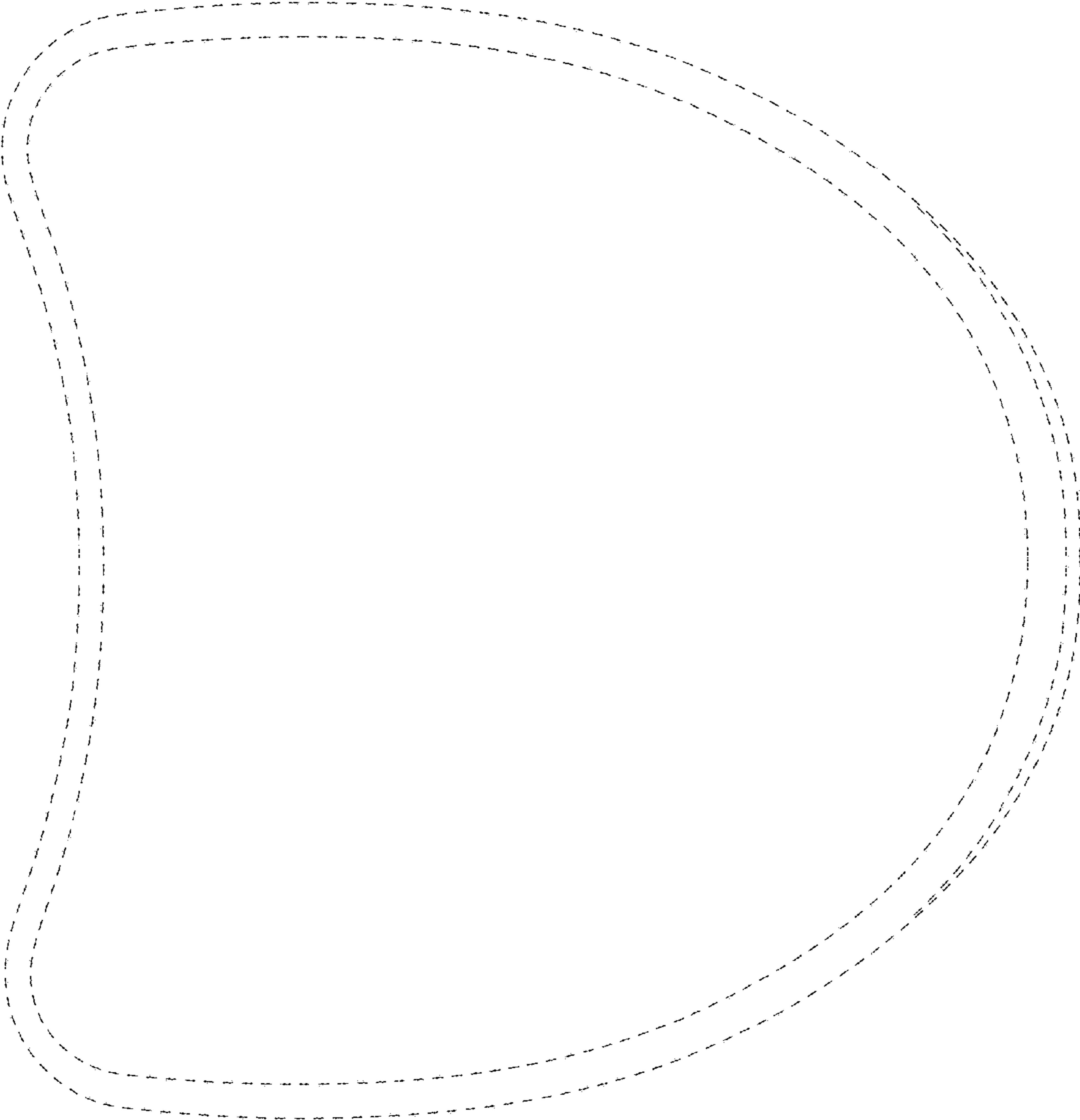


FIG. 1

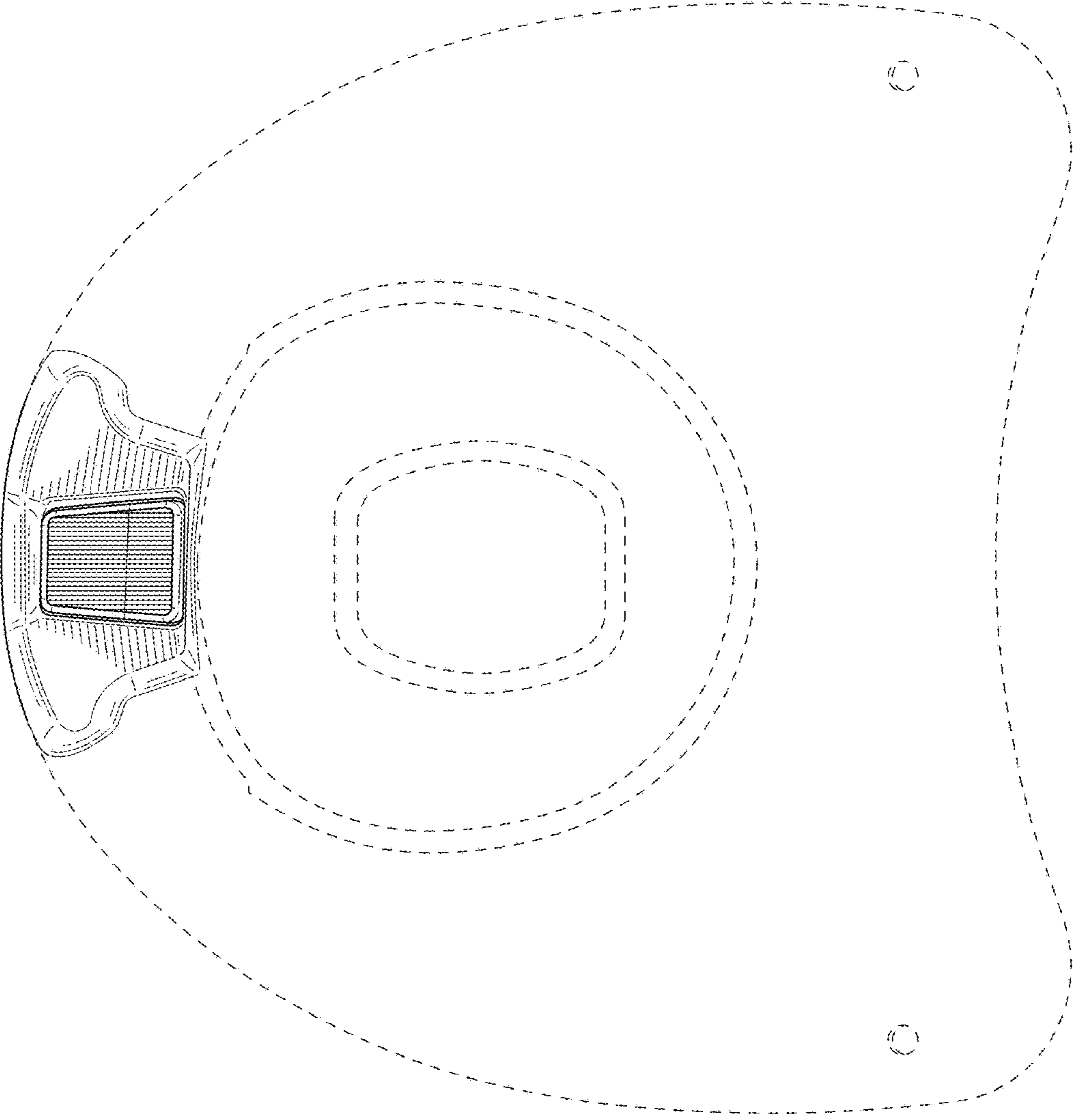


FIG. 2

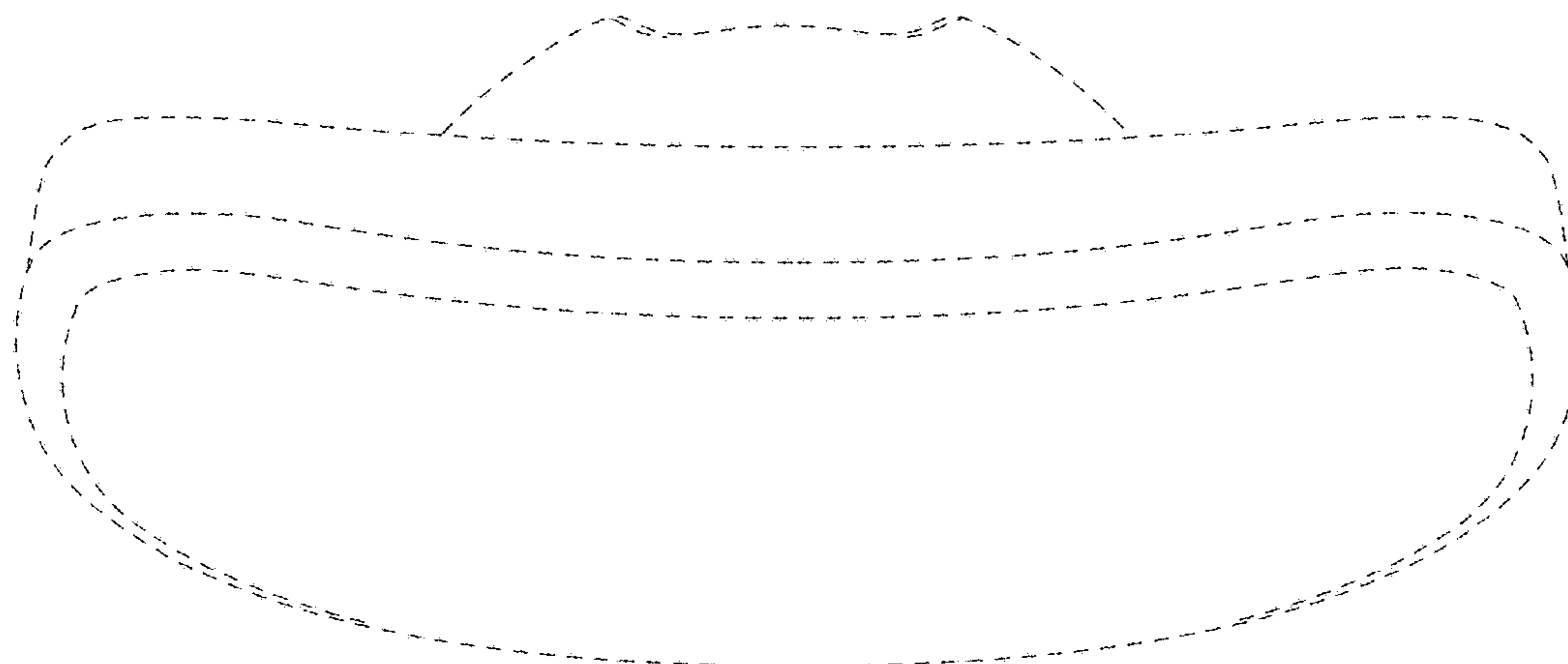


FIG. 3

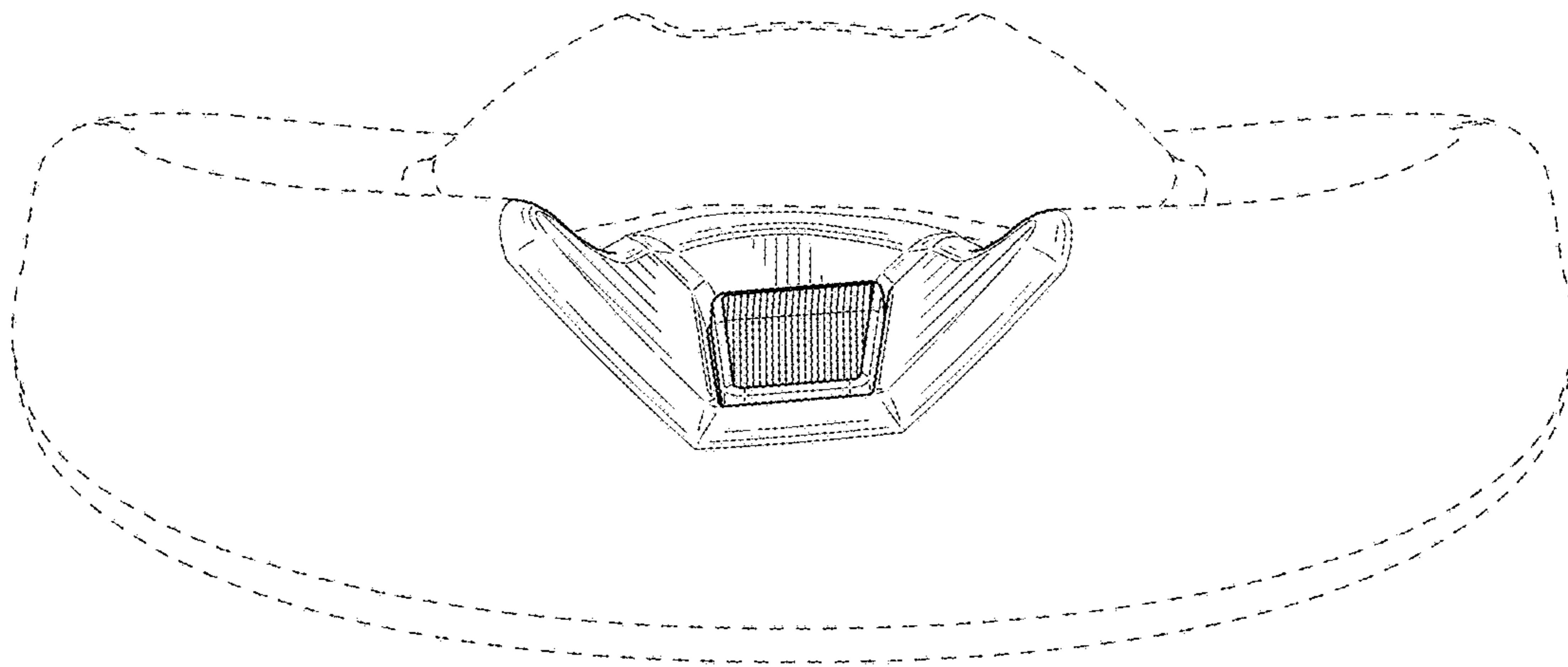


FIG. 4

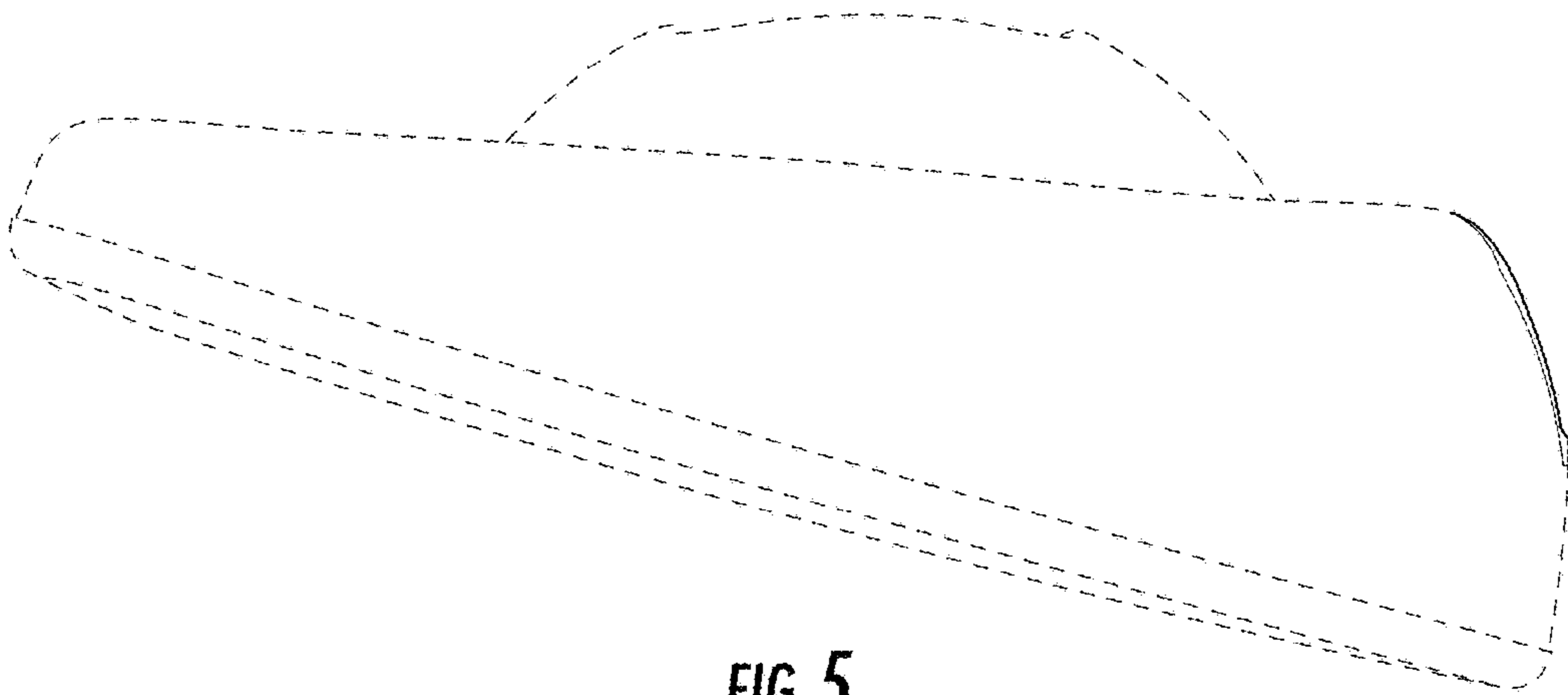


FIG. 5

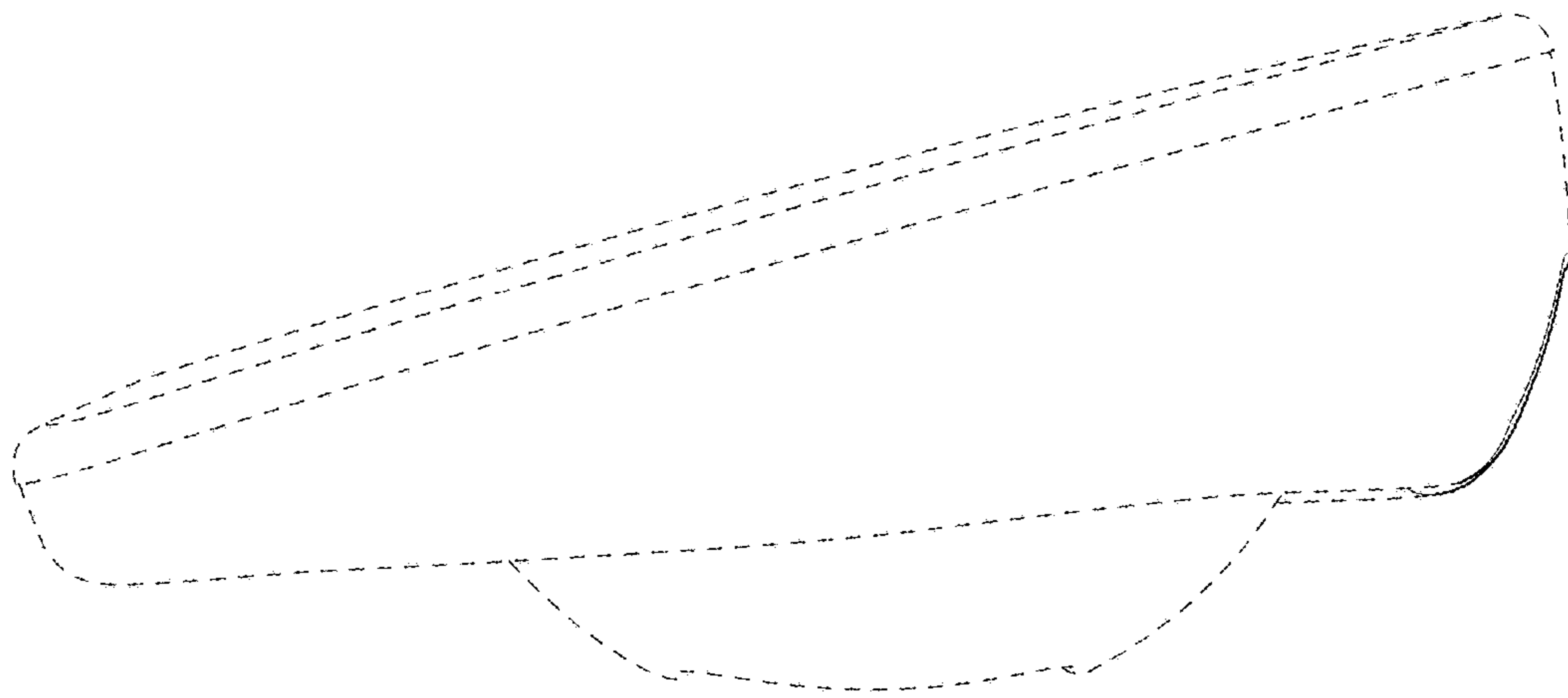


FIG. 6