

US00D862265S

(12) **United States Design Patent** (10) **Patent No.:** **US D862,265 S**
Cannell et al. (45) **Date of Patent:** **** Oct. 8, 2019**

(54) **BEACON HOUSING**
(71) Applicant: **General Electric Company,**
Schenectady, NY (US)

D366,229 S * 1/1996 Barnett D3/208
D373,318 S 9/1996 Berch et al.
D402,223 S 12/1998 Stella
(Continued)

(72) Inventors: **Matthew James Cannell,** Glen Allen,
VA (US); **David Nguyen,** Morgan Hill,
CA (US); **Edward Geiger,** San Martin,
CA (US); **Richard Woodburn,**
Cupertino, CA (US)

OTHER PUBLICATIONS

United States Patent and Trademark Office, "Notice of Allowance,"
issued in connection with U.S. Appl. No. 29/599,799, dated Jul. 24,
2018, 14 pages.

(73) Assignee: **General Electric Company,**
Schenectady, NY (US)

Primary Examiner — George D. Kirschbaum
Assistant Examiner — Joseph J Kukella

(**) Term: **15 Years**

(74) *Attorney, Agent, or Firm* — Hanley, Flight and
Zimmerman, LLC

(21) Appl. No.: **29/667,620**

(57) **CLAIM**

The ornamental design for a beacon housing, substantially
as shown and described.

(22) Filed: **Oct. 23, 2018**

DESCRIPTION

Related U.S. Application Data

(62) Division of application No. 29/599,799, filed on Apr.
6, 2017, now Pat. No. Des. 836,474.

FIG. 1 is a perspective view of a first beacon housing
incorporating our new design.

(51) **LOC (12) Cl.** **10-05**

(52) **U.S. Cl.**
USPC **D10/104.1**

FIG. 2 is a perspective view of a second beacon housing
incorporating our new design.

(58) **Field of Classification Search**
USPC D14/137, 230, 496; D10/65, 70, 104.1,
D10/106.1, 106.91, 106.92, 106.93, 121
CPC G08B 21/00; G08B 21/0261; G08B
21/0275; G08B 13/14; G08B 13/2434;
G09F 3/08
See application file for complete search history.

FIG. 3 is a top view of the first beacon housing.

FIG. 4 is a bottom view of the first beacon housing.

FIG. 5 is a front view of the first beacon housing.

FIG. 6 is a back view of the first beacon housing.

FIG. 7 is a first side view of the first beacon housing; and,
FIG. 8 is a second side view of the first beacon housing.

In certain examples, the first side view of the first beacon
housing shown in FIG. 7 is a right side view, and the second
side view of the first beacon housing shown in FIG. 8 is a
left side view. In other examples, the first side view of the
first beacon housing shown in FIG. 7 is a left side view, and
the second side view of the first beacon housing shown in
FIG. 8 is a right side view.

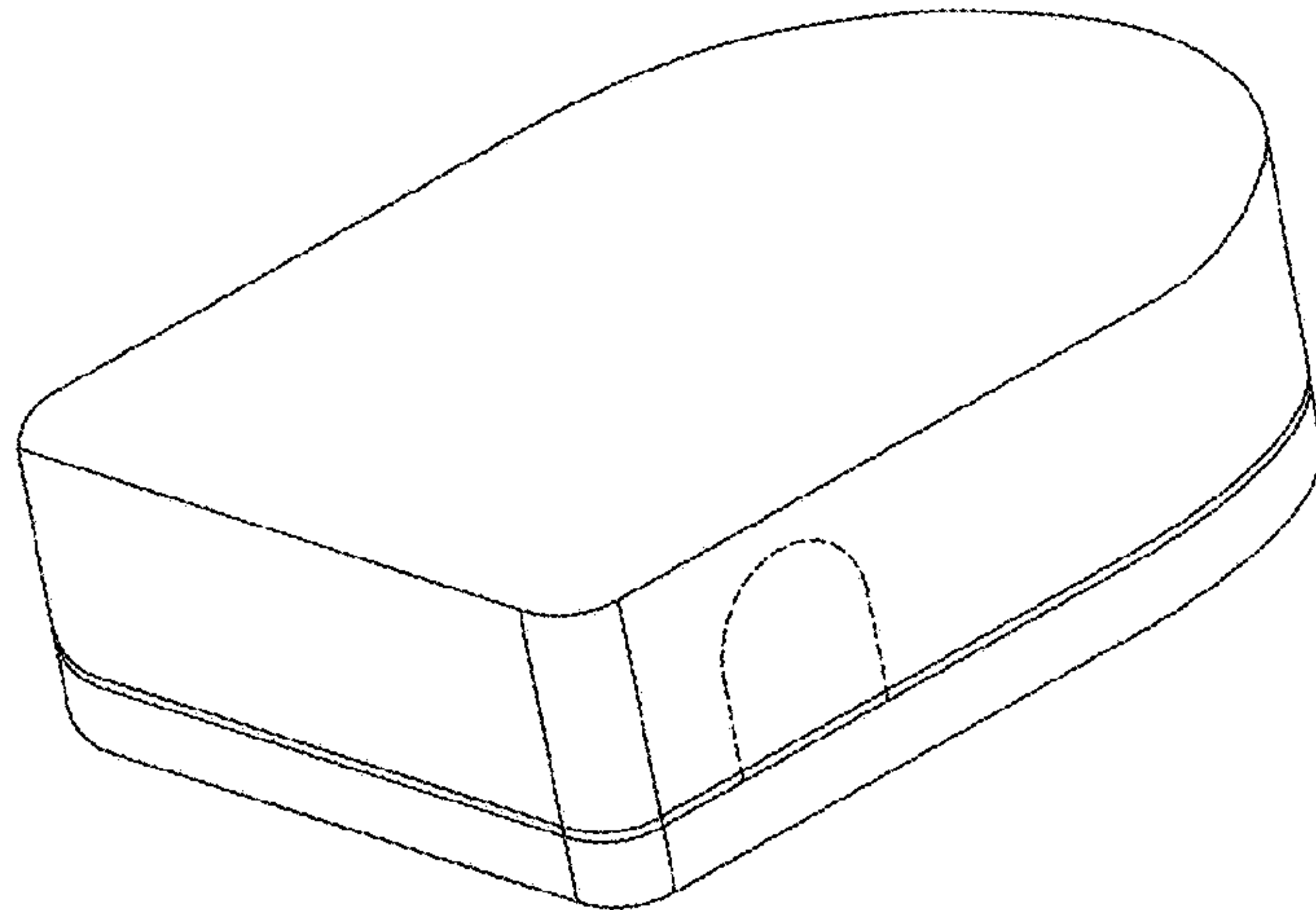
The broken line shown on the beacon housing is included for
the purpose of illustrating portions of the beacon housing
that form no part of the currently claimed design.

(56) **References Cited**

U.S. PATENT DOCUMENTS

D292,677 S * 11/1987 Jordi D10/2
D305,744 S * 1/1990 De brey D11/99
D307,739 S * 5/1990 Grant D13/168
D346,152 S * 4/1994 Zaugg D13/168

1 Claim, 5 Drawing Sheets



(56)

References Cited

U.S. PATENT DOCUMENTS

D403,856	S	1/1999	Dobbins	
D489,278	S	* 5/2004	Rittmann	D10/78
D512,968	S	* 12/2005	Jiyang	D13/168
D596,061	S	7/2009	Kurumagawa et al.	
D649,897	S	* 12/2011	Jones	D10/106.9
D679,209	S	4/2013	Reynolds et al.	
D698,679	S	2/2014	Lindley	
D709,397	S	7/2014	Ennabli	
D801,840	S	11/2017	Dwyer	
D815,970	S	4/2018	Ramasarma et al.	
D816,527	S	5/2018	Ramasarma et al.	
D836,474	S	* 12/2018	Cannell	D10/104.1
2012/0125810	A1	5/2012	Birgers et al.	

* cited by examiner

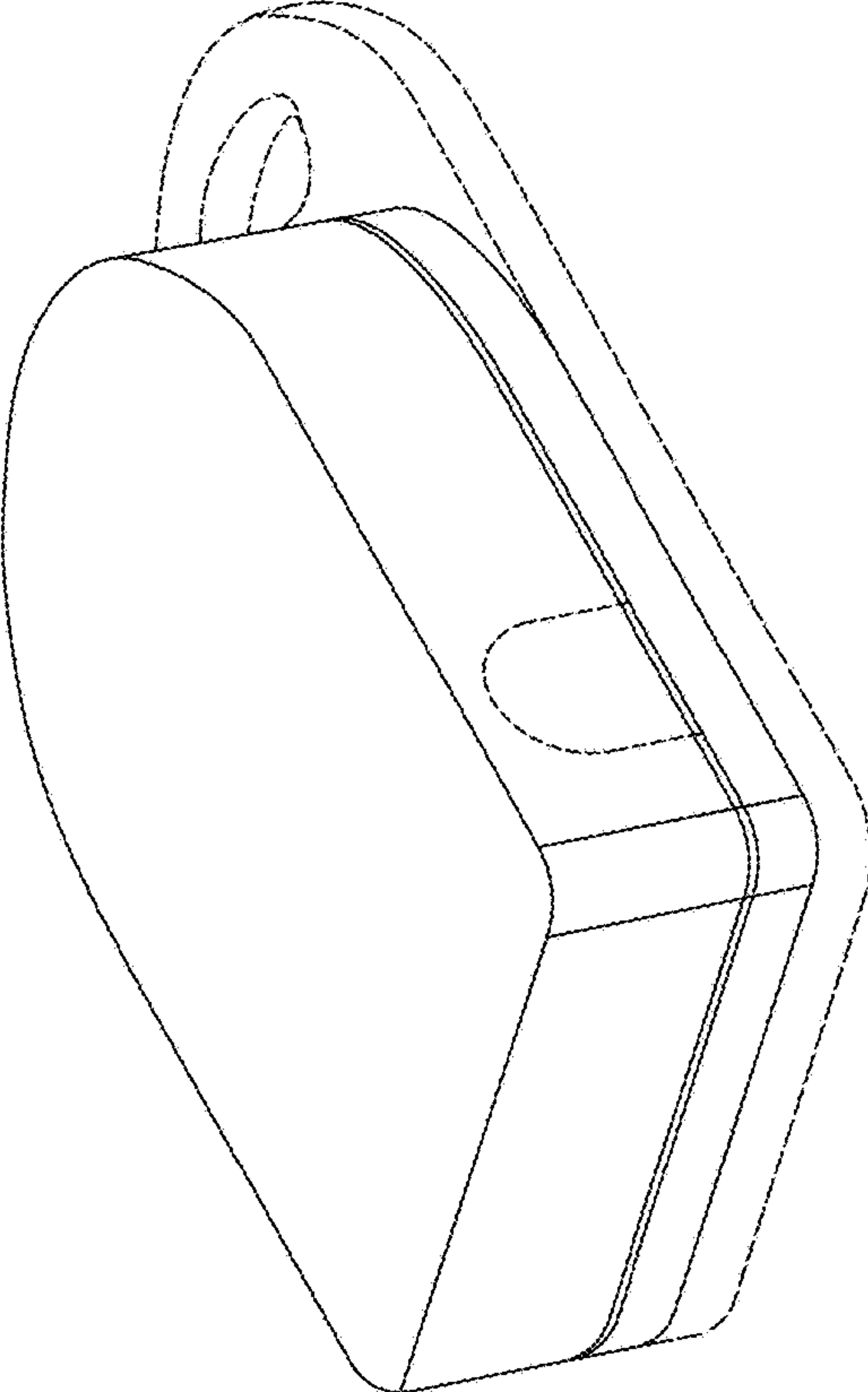


FIG. 1

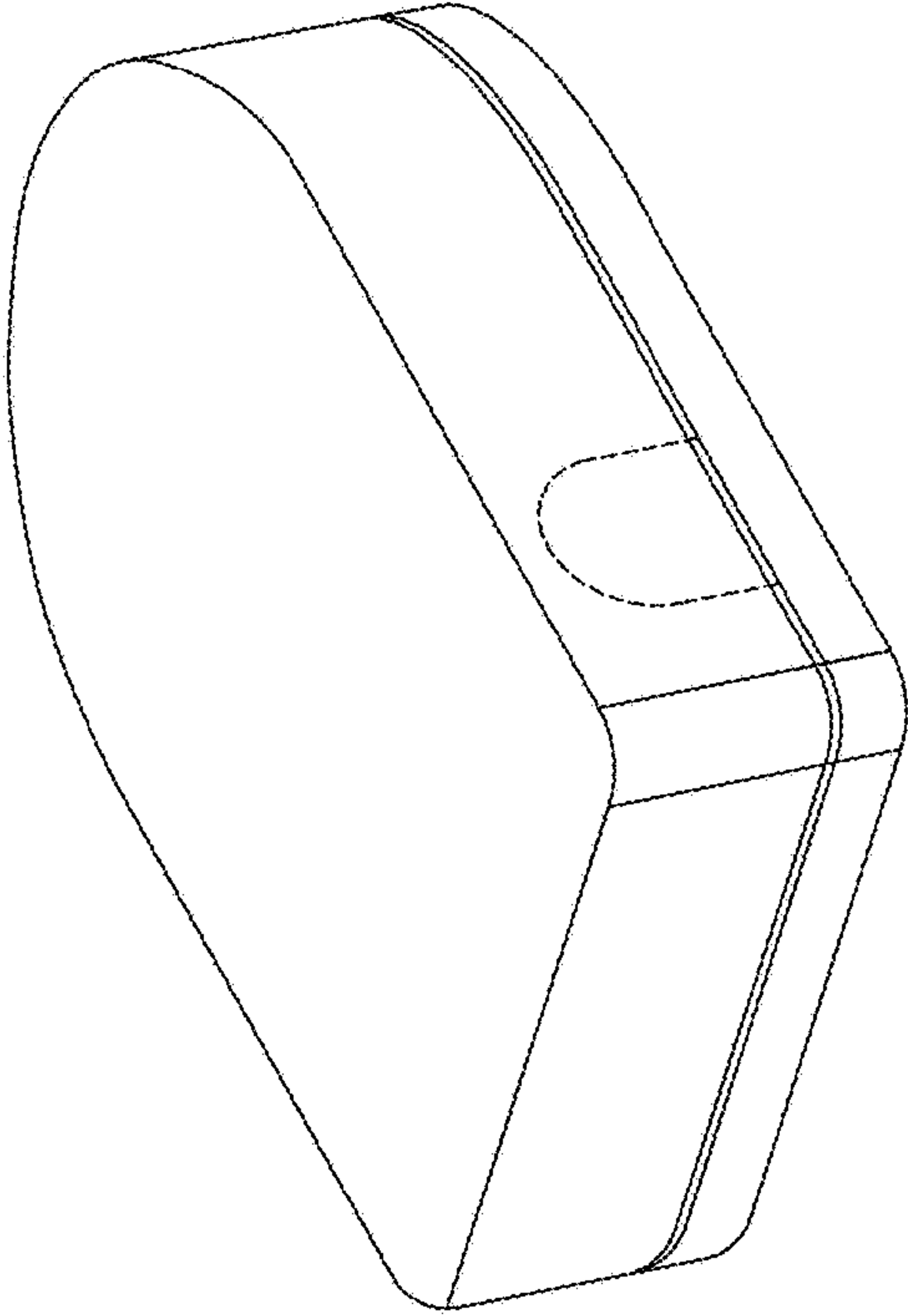


FIG. 2



FIG. 4

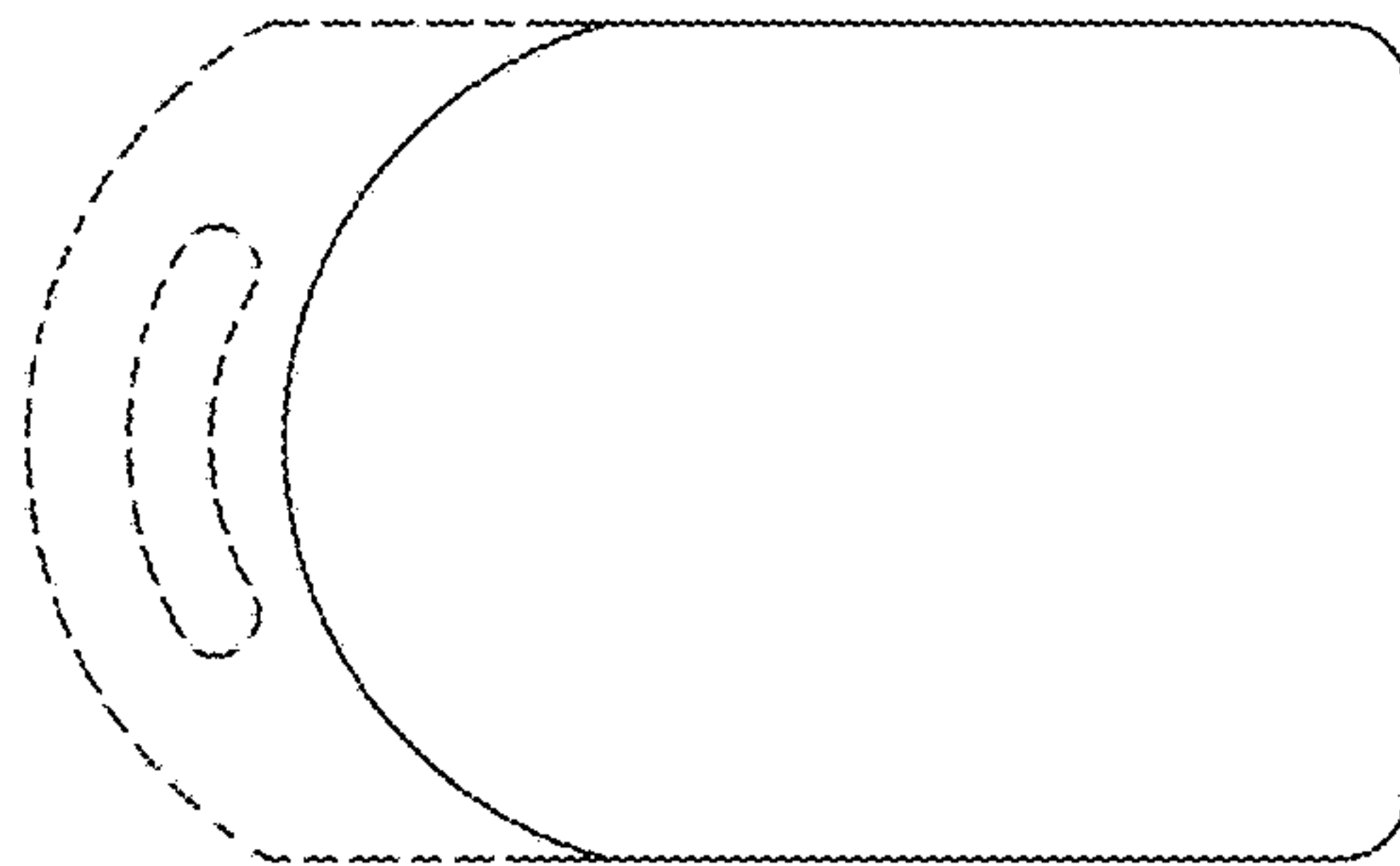


FIG. 3

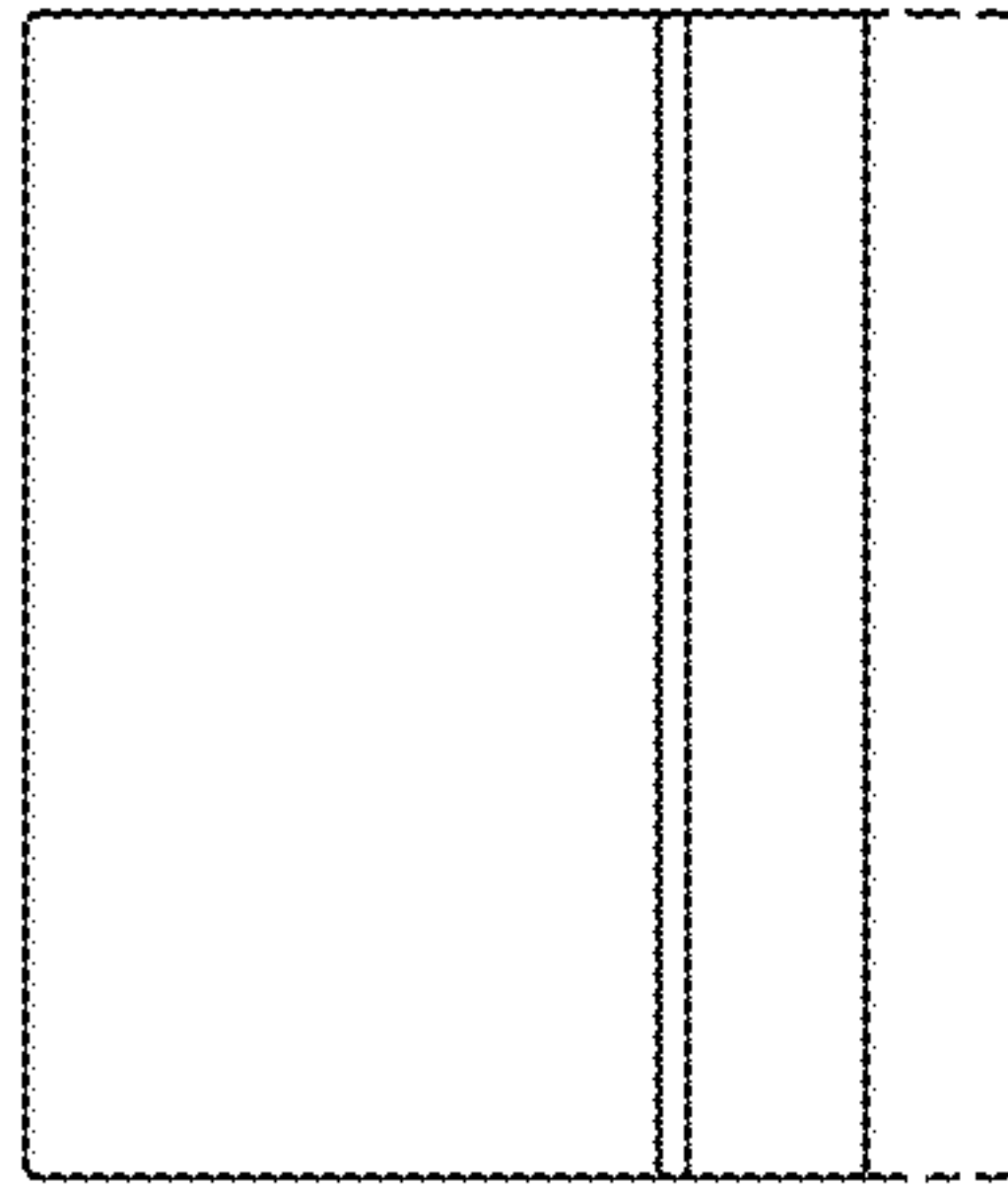


FIG. 6

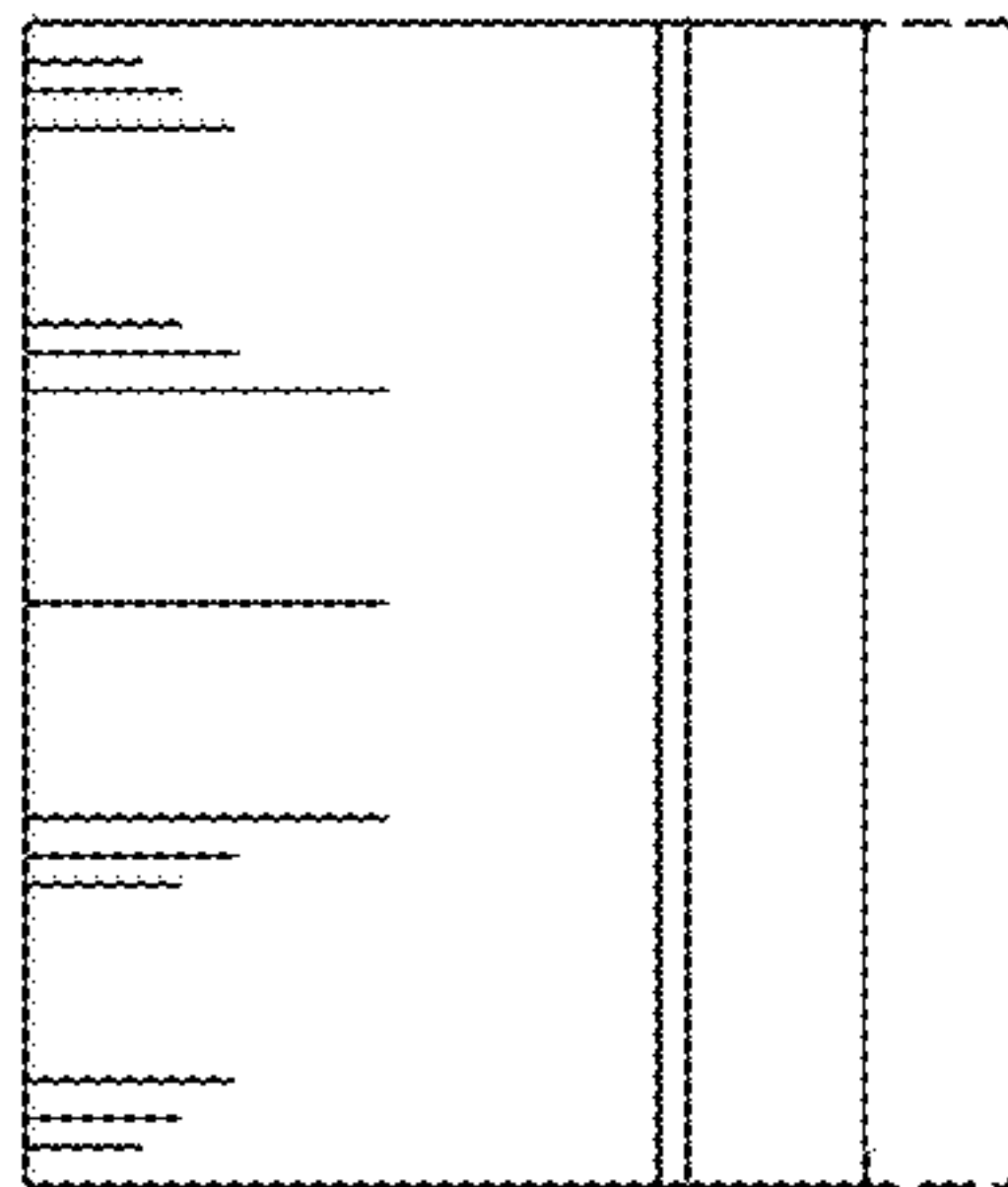


FIG. 5

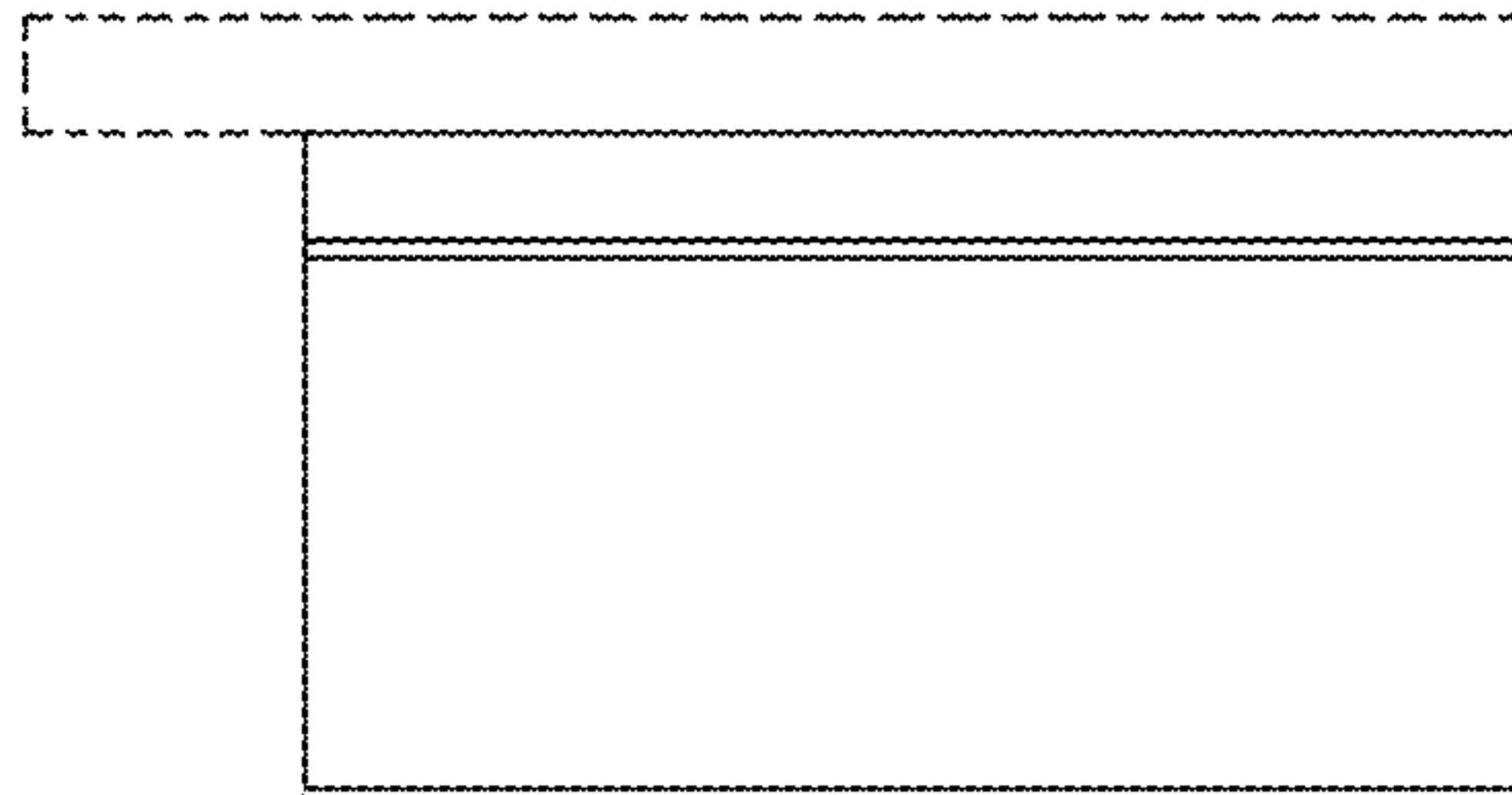


FIG. 8

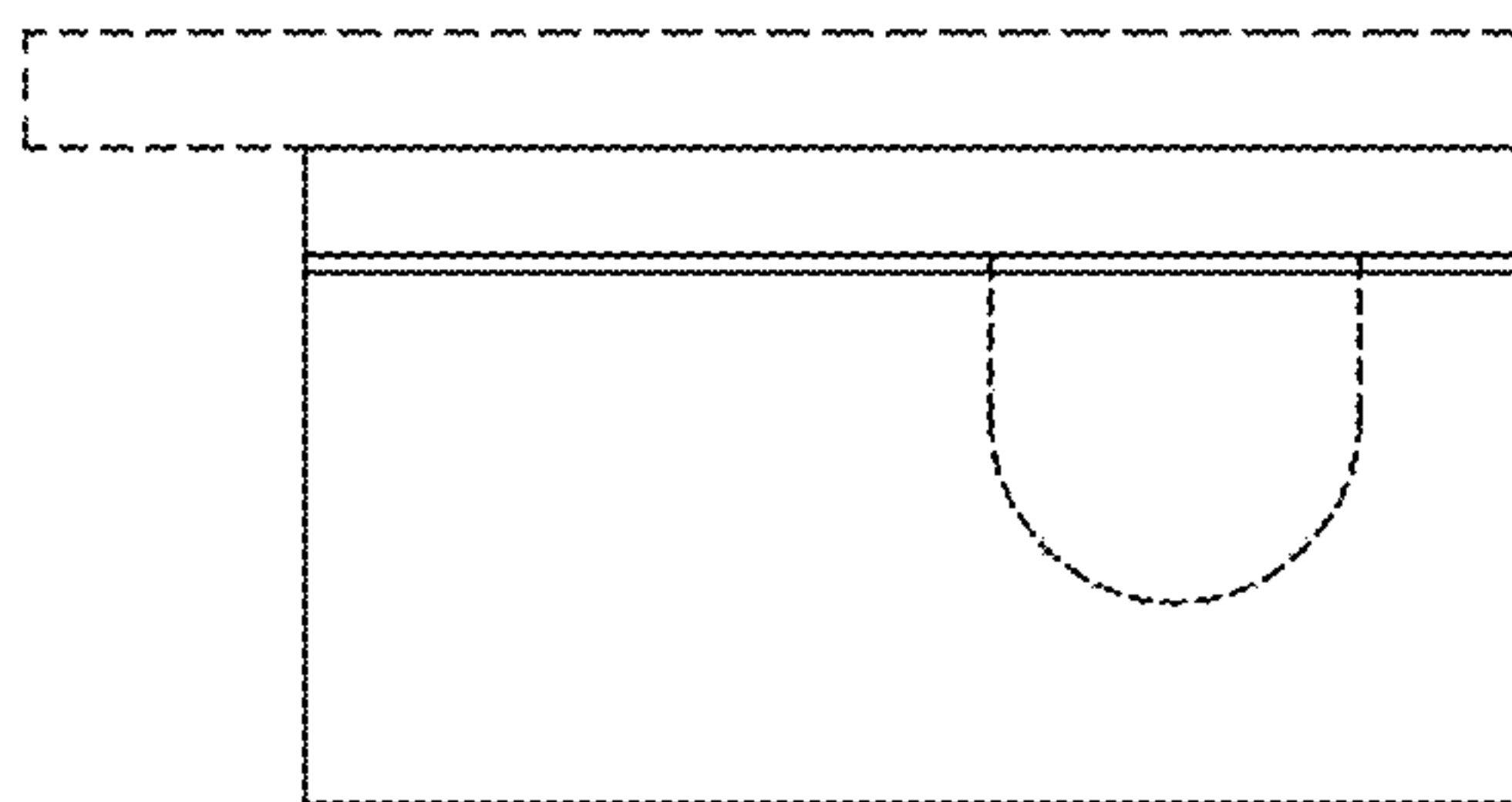


FIG. 7