

US00D862263S

(12) **United States Design Patent** (10) **Patent No.:** **US D862,263 S**
Katsumoto et al. (45) **Date of Patent:** **** Oct. 8, 2019**

(54) **CONTAINER FOR MEASURING ELECTRICAL CHARACTERISTICS**

(74) *Attorney, Agent, or Firm* — Michael Best and Friedrich LLP

(71) Applicant: **SONY CORPORATION**, Tokyo (JP)

(57) **CLAIM**

(72) Inventors: **Yoichi Katsumoto**, Tokyo (JP);
Daisuke Terakado, Saitama (JP)

The ornamental design for a container for measuring electrical characteristics, as shown and described.

(73) Assignee: **SONY CORPORATION**, Tokyo (JP)

DESCRIPTION

(**) Term: **15 Years**

(21) Appl. No.: **29/614,832**

(22) Filed: **Aug. 23, 2017**

FIG. 1 is a front elevational view of a first embodiment of a transparent container for measuring electrical characteristics showing our new design;

FIG. 2 is a rear elevational view thereof;

FIG. 3 is a right side elevational view thereof, a left side elevational view thereof being a mirror image;

FIG. 4 is a top plan view thereof; and

FIG. 5 is a bottom plan view thereof.

FIG. 6 is a front elevational view of a second embodiment of an opaque or translucent container for measuring electrical characteristics showing our new design;

FIG. 7 is a rear elevational view thereof;

FIG. 8 is a right side elevational view thereof; and

FIG. 9 is a bottom plan view thereof.

FIG. 10 is a cross sectional view thereof cut along the lines 10-10 of FIGS. 3 and 8;

FIG. 11 is an enlarged cross sectional view thereof along the lines 11-11 of FIG. 10.

FIG. 12 is a perspective view of the embodiment of FIG. 6, wherein FIG. 12 shows the claimed portions of the embodiment of FIG. 1 with the exception that the claimed portions of the embodiment of FIG. 1 is transparent.

FIG. 13 is a perspective view of the embodiment of FIG. 6 wherein the internal portion is removed.

FIG. 14 is a perspective view thereof showing the internal portion.

FIG. 15 is a front elevational view of a third embodiment of a transparent container for measuring electrical characteristics showing our new design;

FIG. 16 is a rear elevational view thereof;

FIG. 17 is a right side elevational view thereof, a left side elevational view being a mirror image;

FIG. 18 is a top plan view thereof; and

FIG. 19 is a bottom plan view thereof.

(Continued)

Related U.S. Application Data

(63) Continuation of application No. 29/577,642, filed on Sep. 14, 2016, now Pat. No. Des. 800,003, which is (Continued)

(30) **Foreign Application Priority Data**

Feb. 27, 2015 (JP) D2015-004228

Feb. 27, 2015 (JP) D2015-004229

(Continued)

(51) **LOC (12) Cl.** **10-04**

(52) **U.S. Cl.**
USPC **D10/103**

(58) **Field of Classification Search**
USPC D10/81, 102, 103; D24/224

(Continued)

(56) **References Cited**

U.S. PATENT DOCUMENTS

7,554,658 B2 * 6/2009 Marsteller B01L 3/50825
356/246

7,790,117 B2 * 9/2010 Ellis B01L 3/502
210/359

(Continued)

Primary Examiner — Antoine Duval Davis

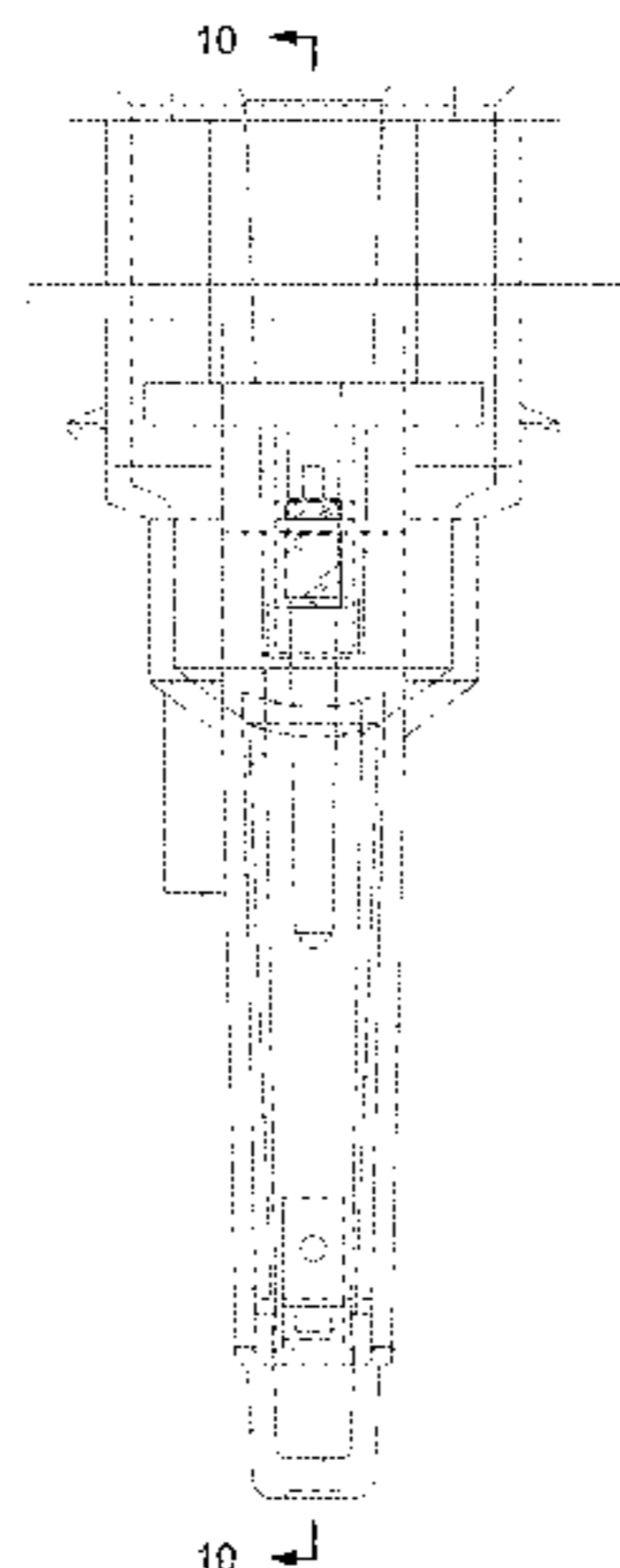


FIG. 20 is a front elevational view of a fourth embodiment of an opaque or translucent container for measuring electrical characteristics showing our new design;
 FIG. 21 is a rear elevational view thereof;
 FIG. 22 is a right side elevational view thereof; and
 FIG. 23 is a bottom plan view thereof.
 FIG. 24 is a cross sectional view thereof cut along the lines 24-24 of FIGS. 17 and 22;
 FIG. 25 is an enlarged cross sectional view thereof along the lines 25-25 of FIG. 24.
 FIG. 26 is a perspective view of the embodiment of FIG. 20, wherein FIG. 26 shows the claimed portions of the embodiment of FIG. 15 with the exception that the claimed portions of the embodiment of FIG. 15 is transparent.
 FIG. 27 is a perspective view of the embodiment of FIG. 20, wherein the internal portion is removed; and,
 FIG. 28 is a perspective view thereof showing the internal portion.
 Broken lines illustrating unclaimed portions of the container for measuring electrical characteristics form no part of the claimed design. The dot-dash broken lines defining the boundaries of the claimed design form no part of the claimed design.

1 Claim, 18 Drawing Sheets

Related U.S. Application Data

a continuation of application No. 29/520,585, filed on Mar. 16, 2015, now Pat. No. Des. 770,315.

(30) **Foreign Application Priority Data**

Feb. 27, 2015 (JP) D2015-004230
 Feb. 27, 2015 (JP) D2015-004231

Feb. 27, 2015 (JP) D2015-004232
 Feb. 27, 2015 (JP) D2015-004234
 Feb. 27, 2015 (JP) D2015-004235
 Feb. 27, 2015 (JP) D2015-004236
 Feb. 27, 2015 (JP) D2015-004237
 Feb. 27, 2015 (JP) D2015-004238
 Feb. 27, 2015 (JP) D2015-004239
 Feb. 27, 2015 (JP) D2015-004240

(58) **Field of Classification Search**

CPC B01L 2300/0832; B01L 2300/0835; B01L 2300/0838; B01L 2300/0841; B01L 2300/0845; B01L 3/5021; B01L 2300/0809; B01L 2300/0819; B01L 2300/0825; G01N 21/03; G01N 21/031; G01N 21/0317; G01N 21/0332; G01N 21/05

See application file for complete search history.

(56) **References Cited**

U.S. PATENT DOCUMENTS

8,357,296 B2 * 1/2013 Bonhomme B01D 61/18
 210/321.84
 8,920,747 B2 * 12/2014 Matsuura G01N 27/3272
 422/412
 D724,892 S * 3/2015 Gonzalez-Quiros
 G01N 27/3272
 D24/224
 D732,684 S * 6/2015 Ooi D24/224
 D739,953 S * 9/2015 Curry D24/224
 D770,315 S * 11/2016 Katsumoto D10/81
 D795,725 S * 8/2017 Katsumoto D10/81
 D800,003 S * 10/2017 Katsumoto D10/81

* cited by examiner

FIG.1

FIG.2

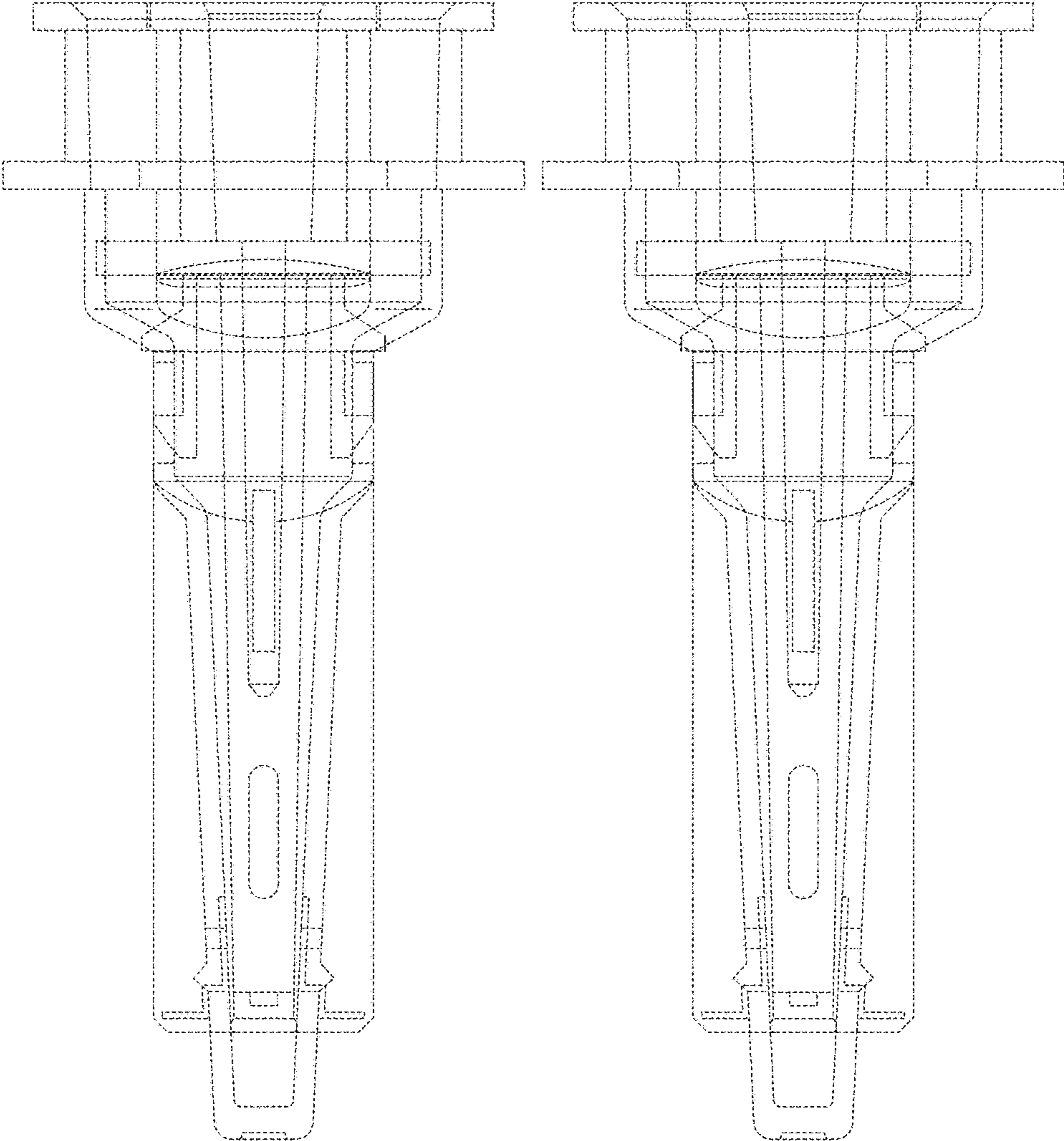


FIG.3

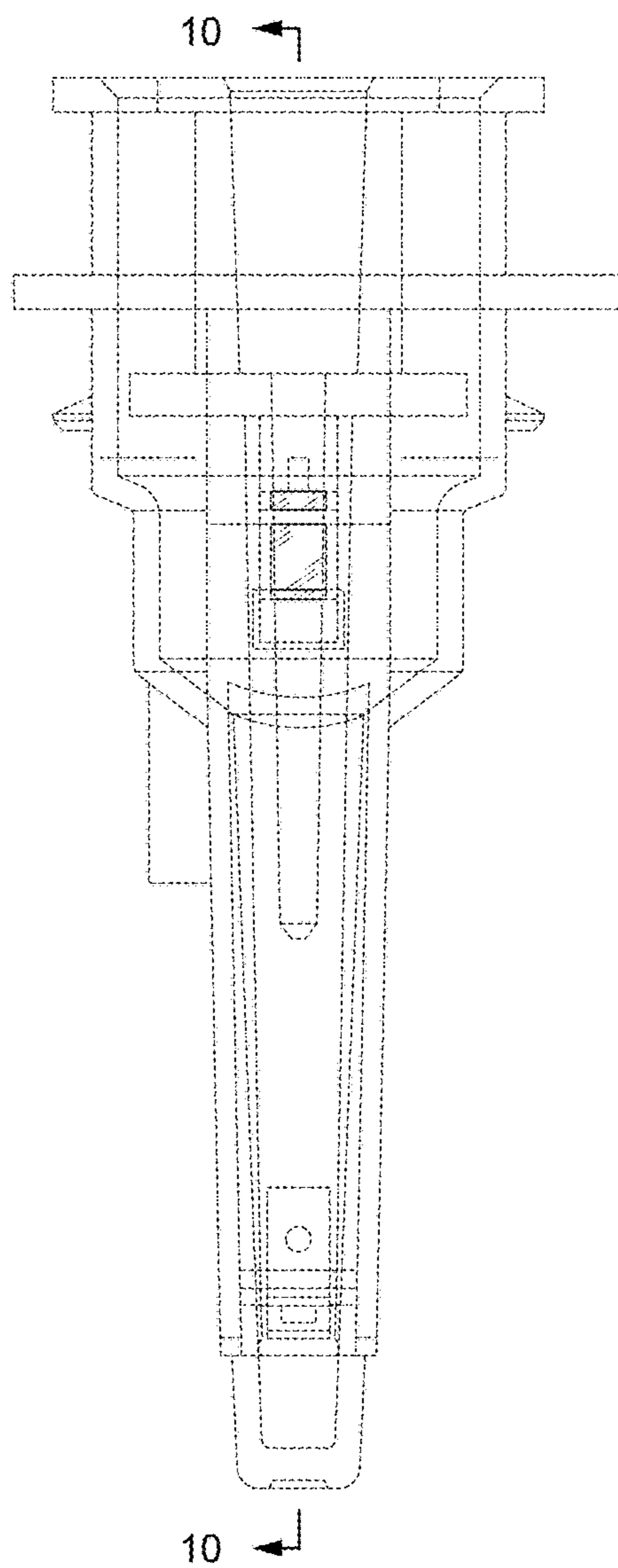


FIG.4

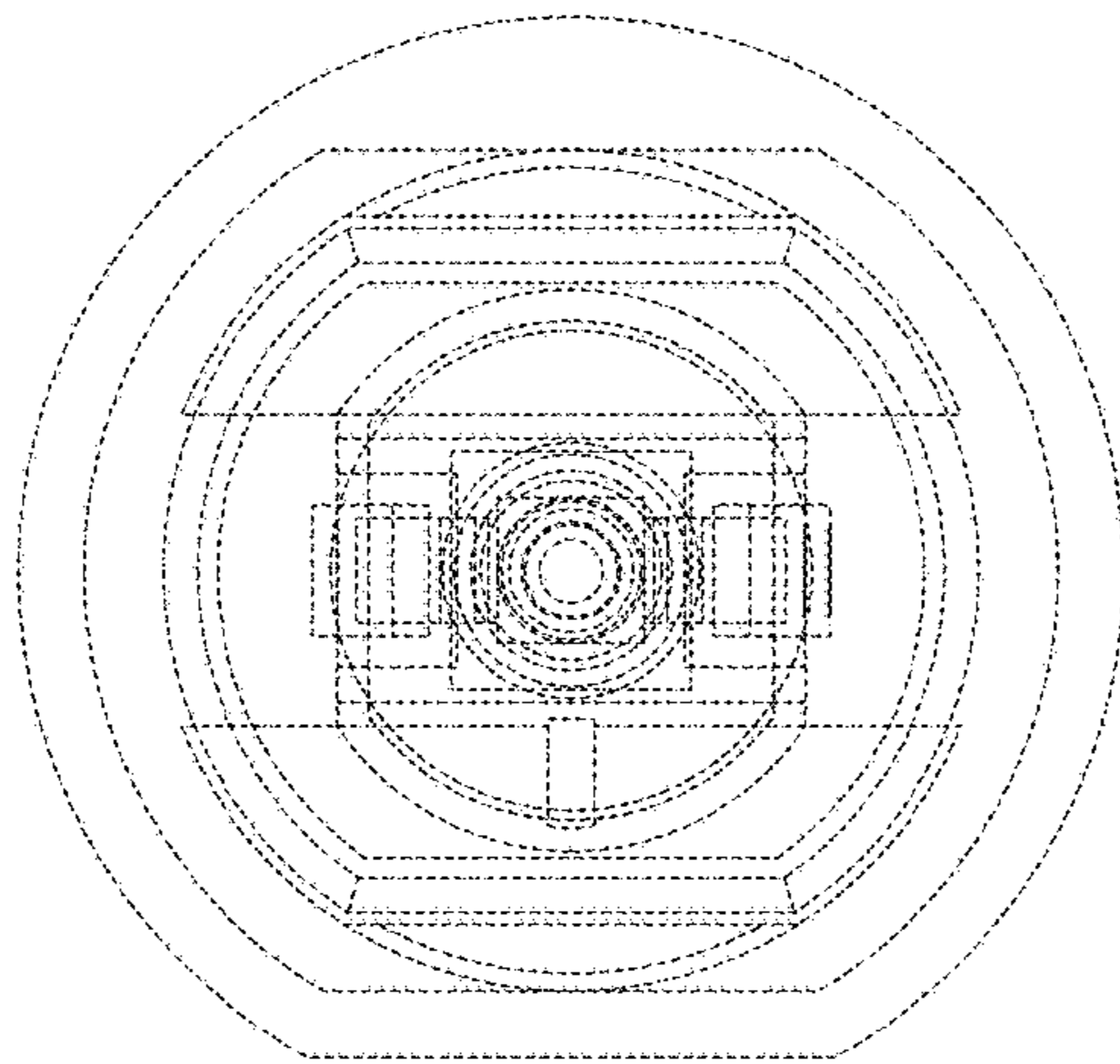


FIG.5

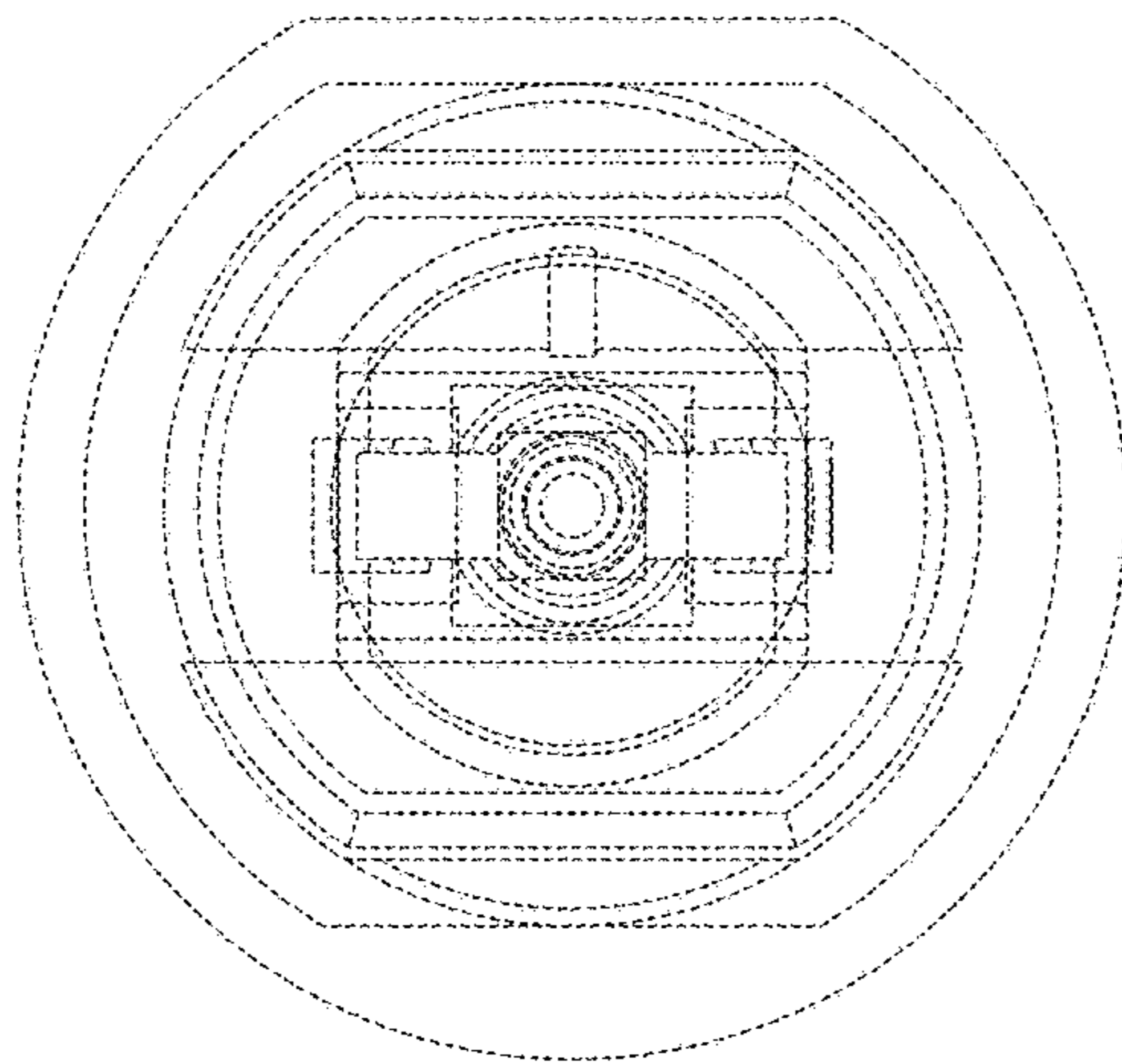


FIG.6

FIG.7

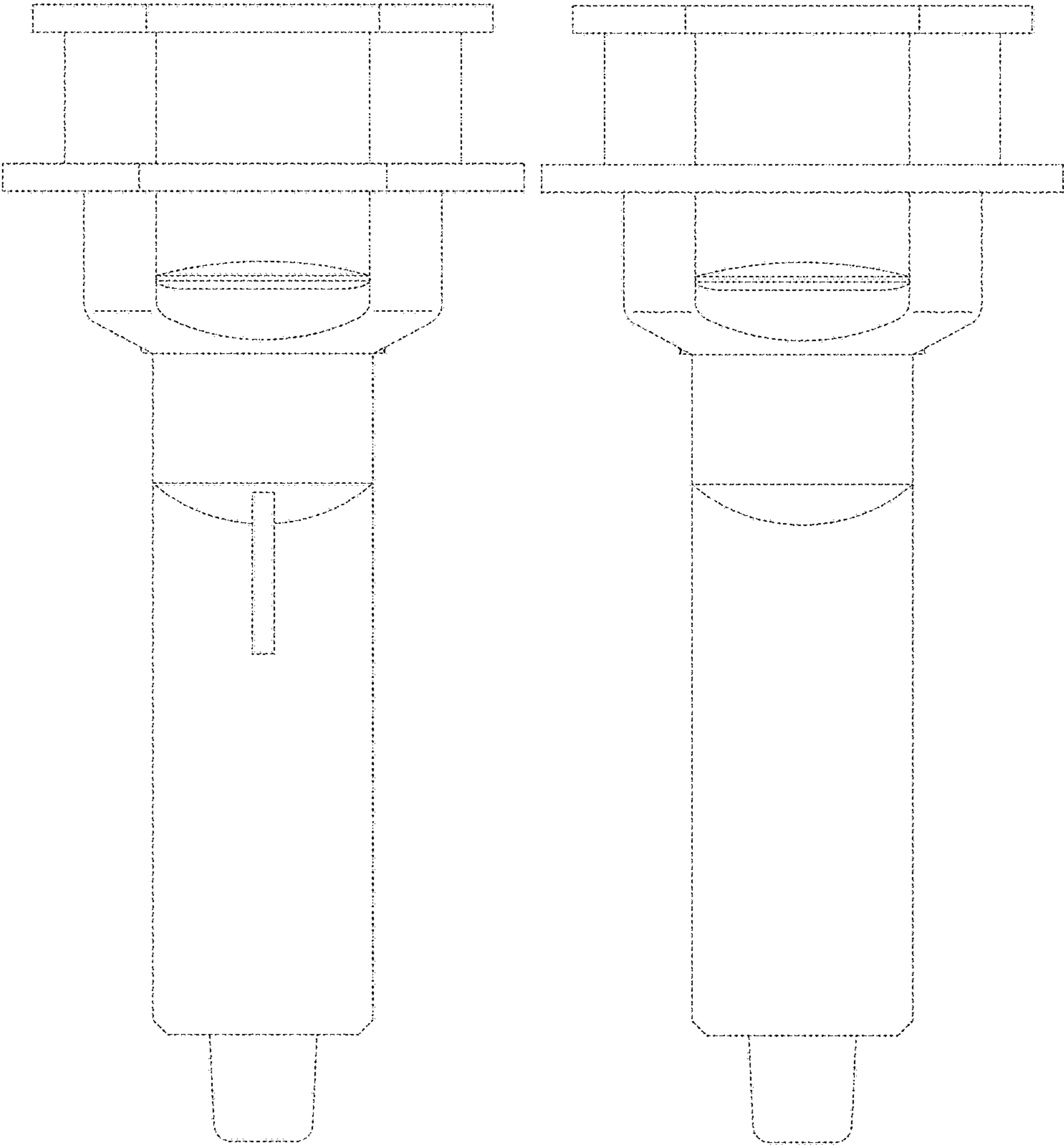


FIG.8

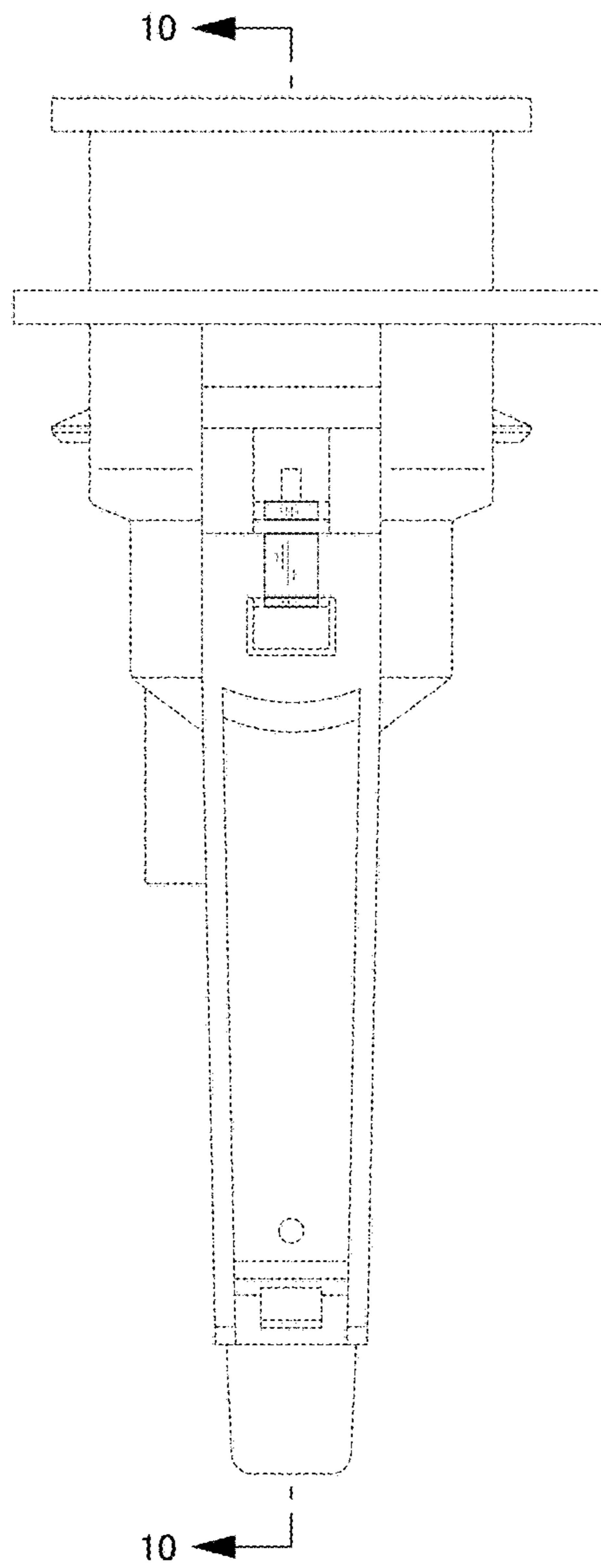


FIG.9

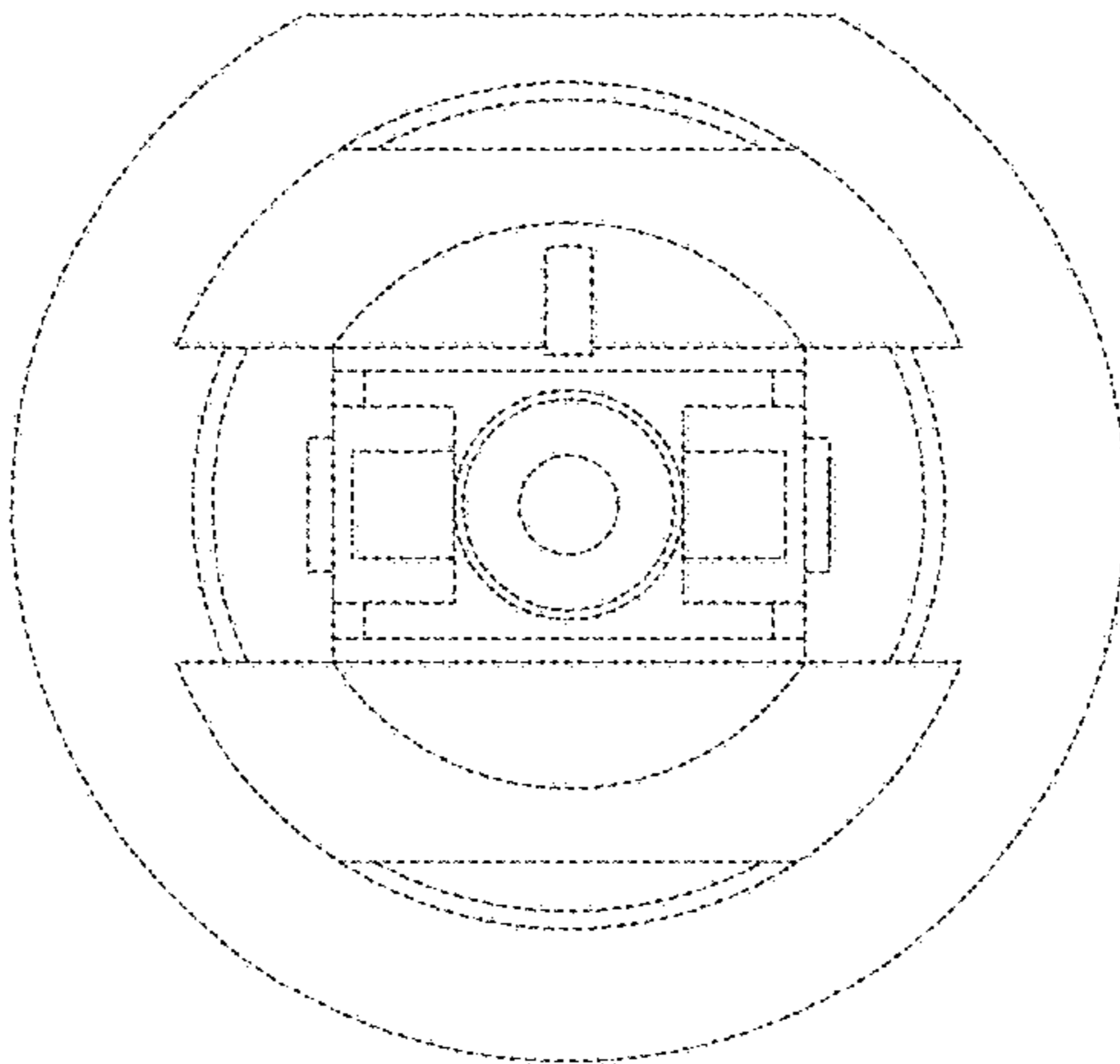


FIG.11

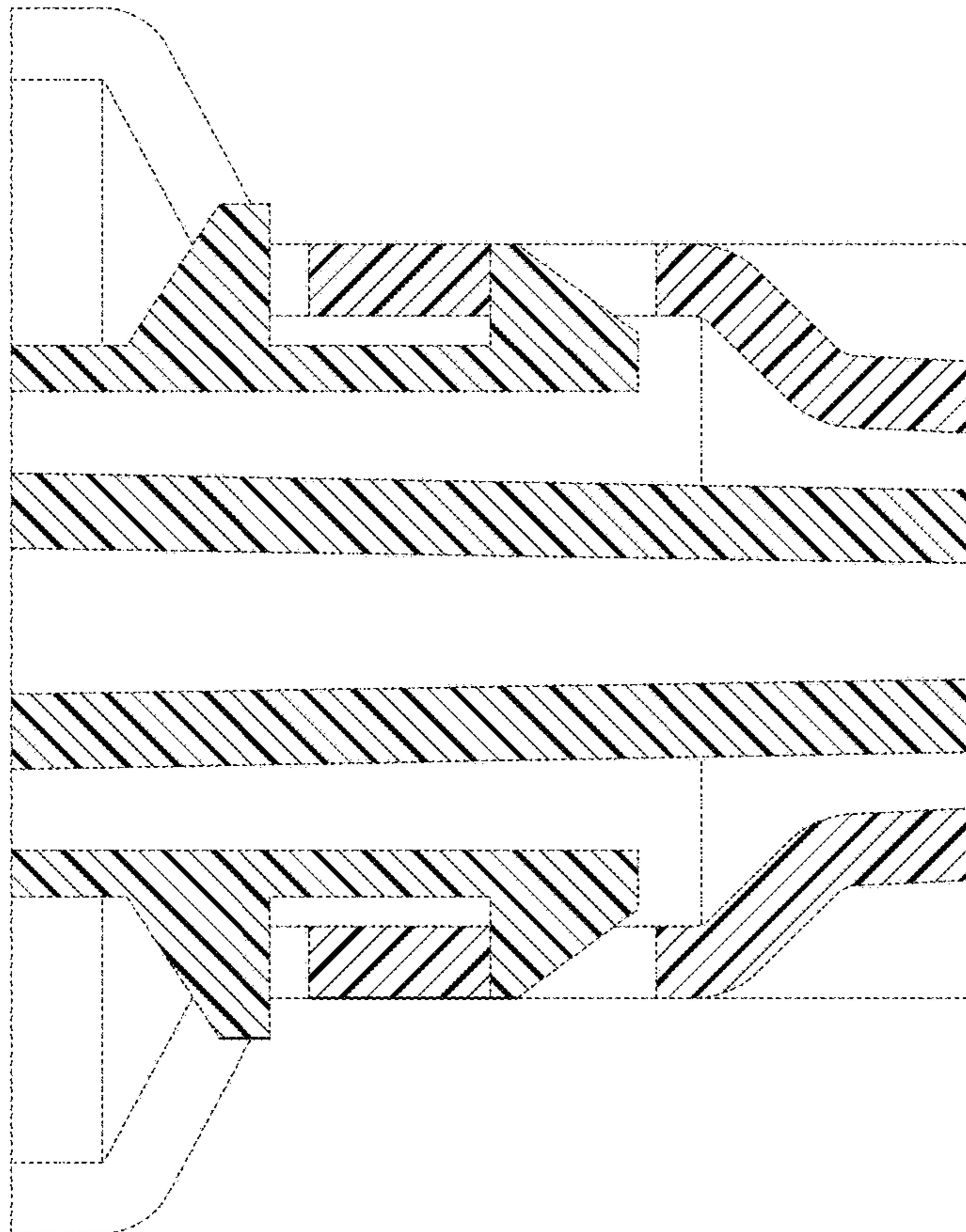


FIG.10

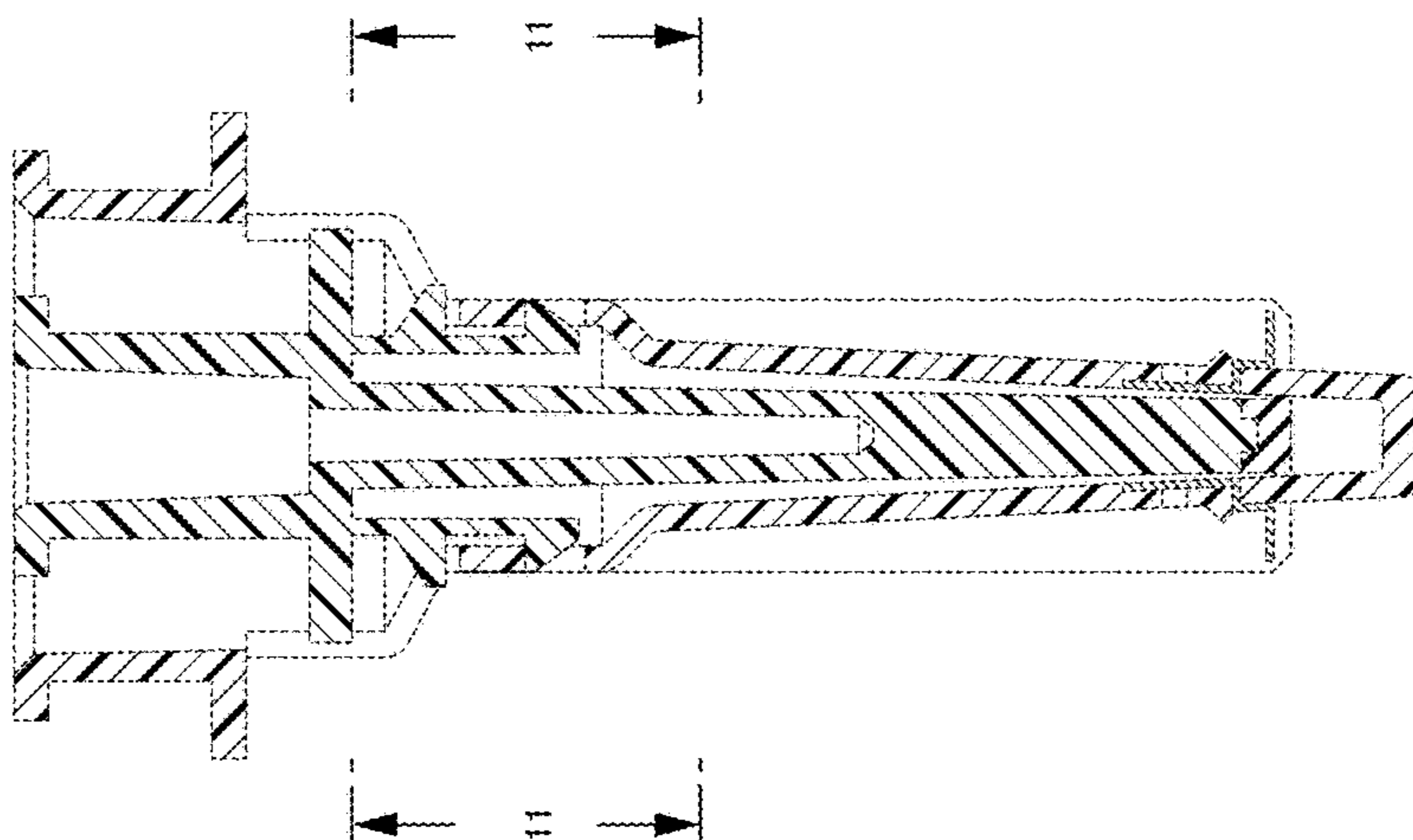


FIG.12

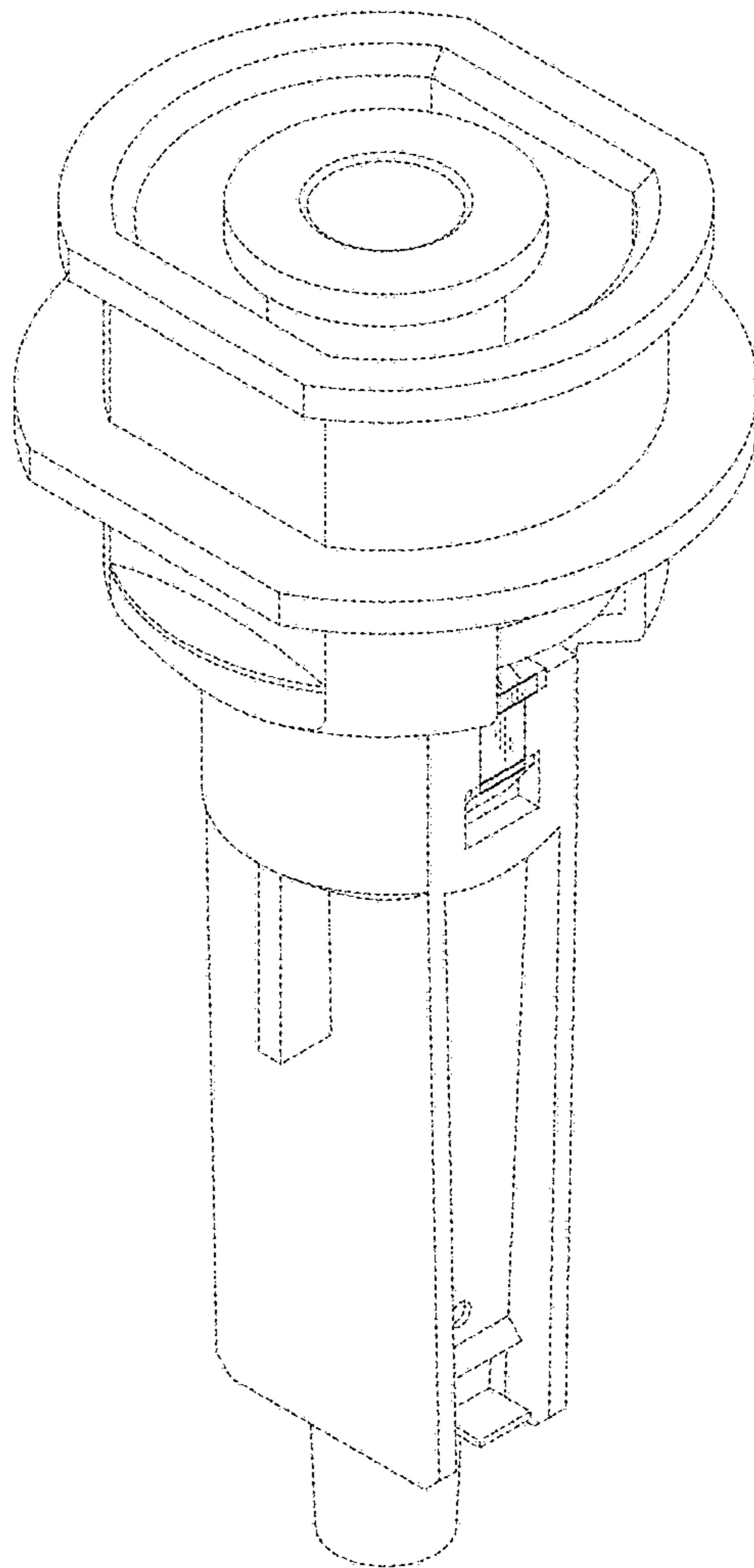


FIG.13

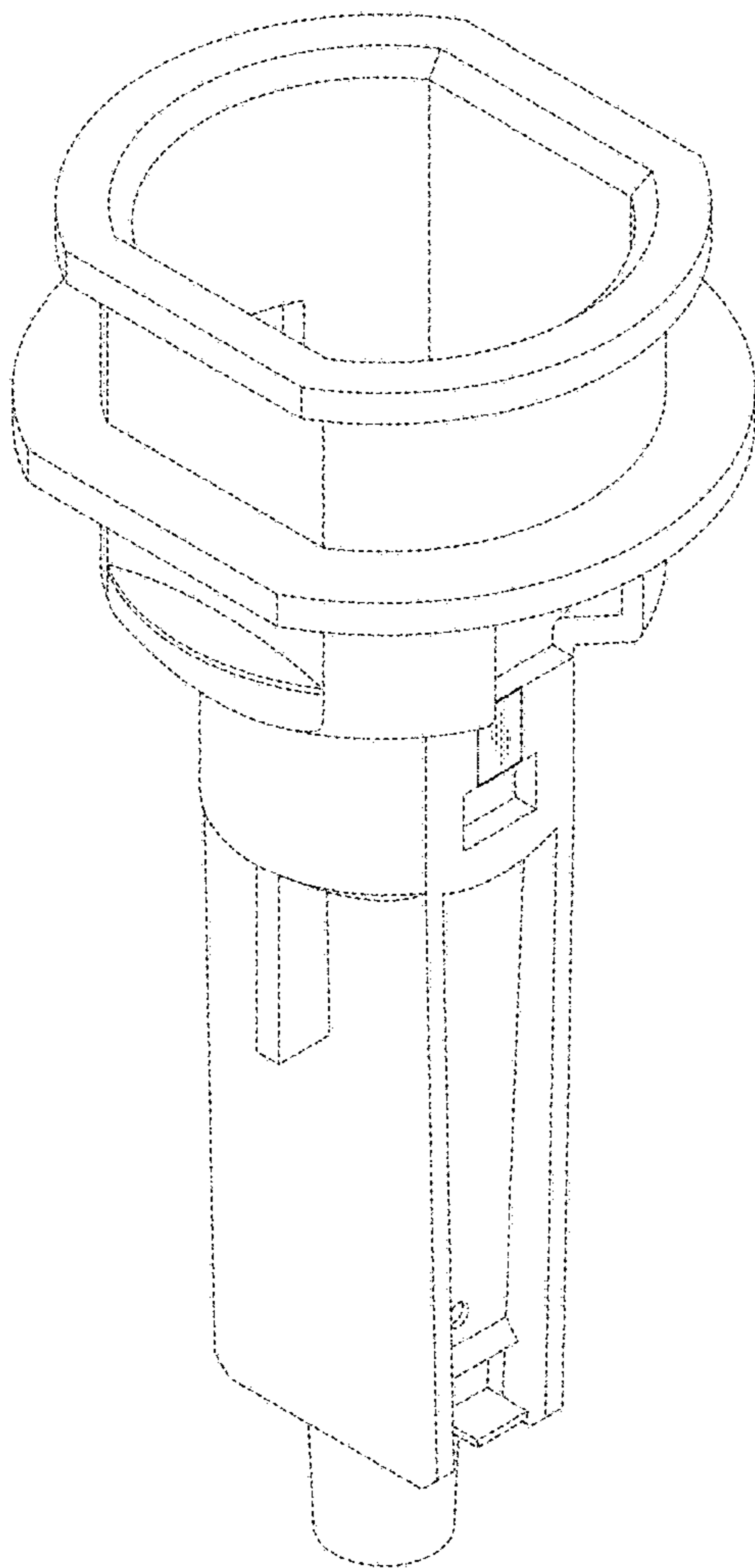


FIG.14

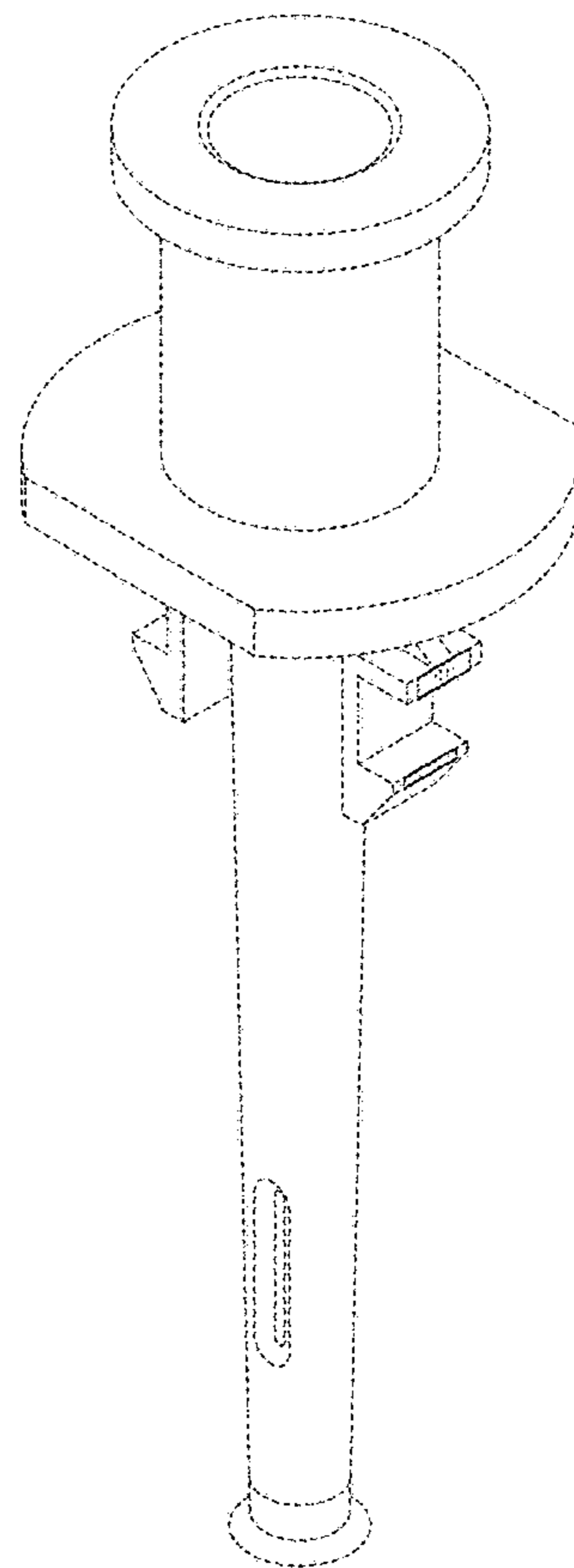


FIG.15

FIG.16

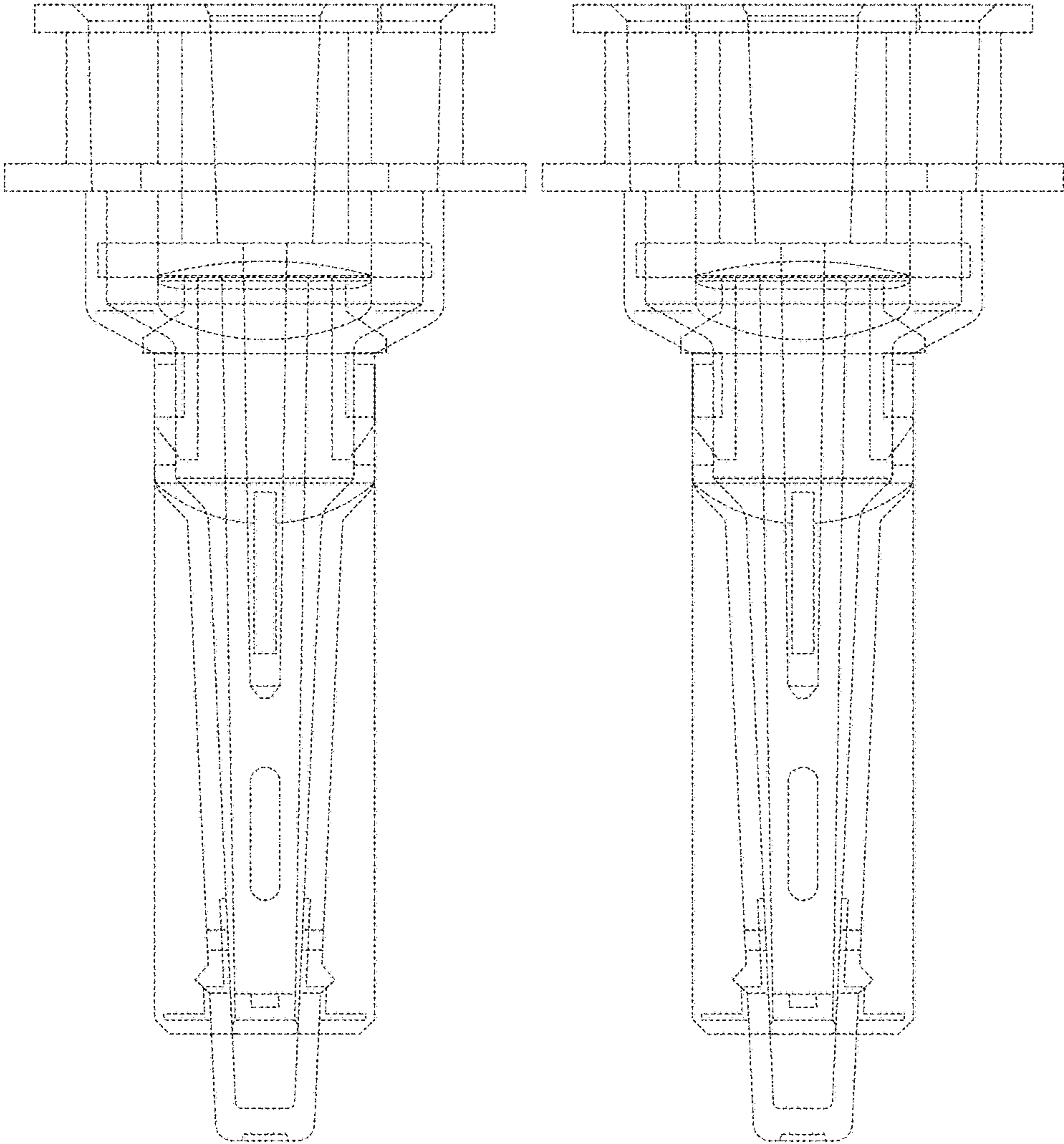


FIG.17

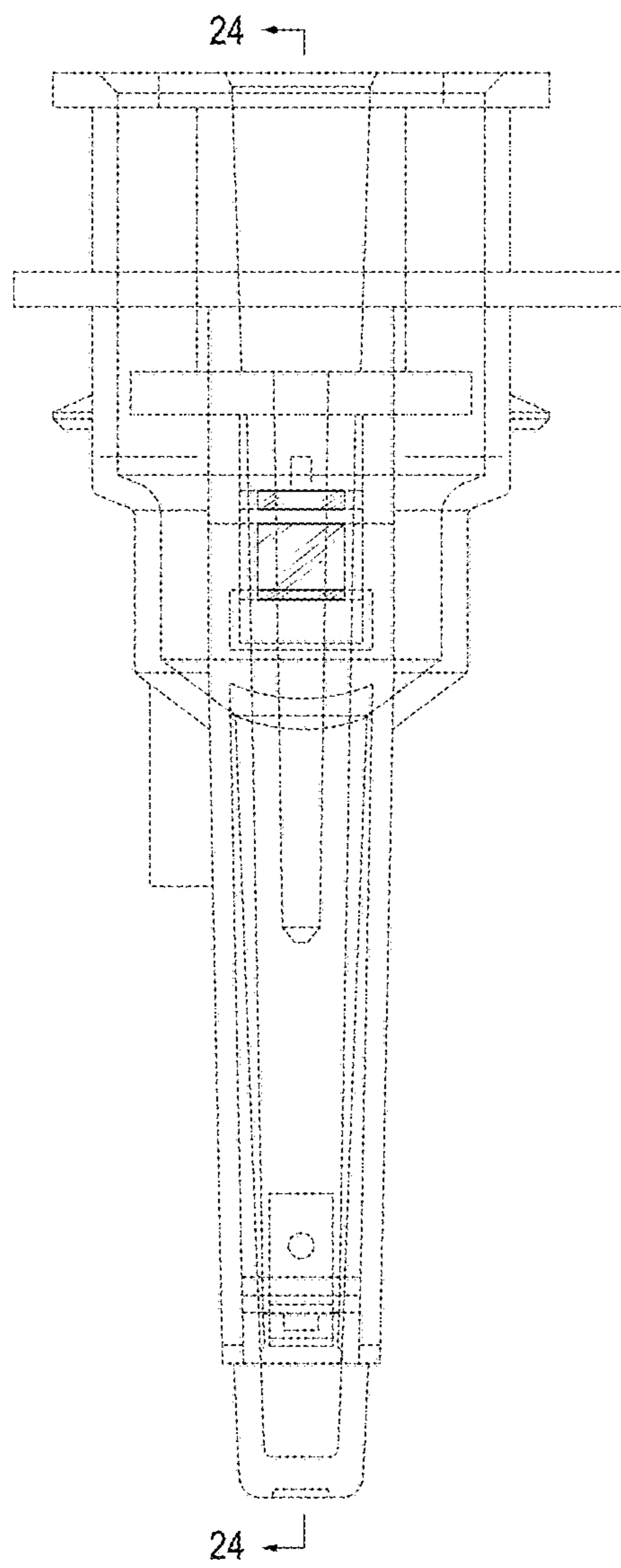


FIG.18

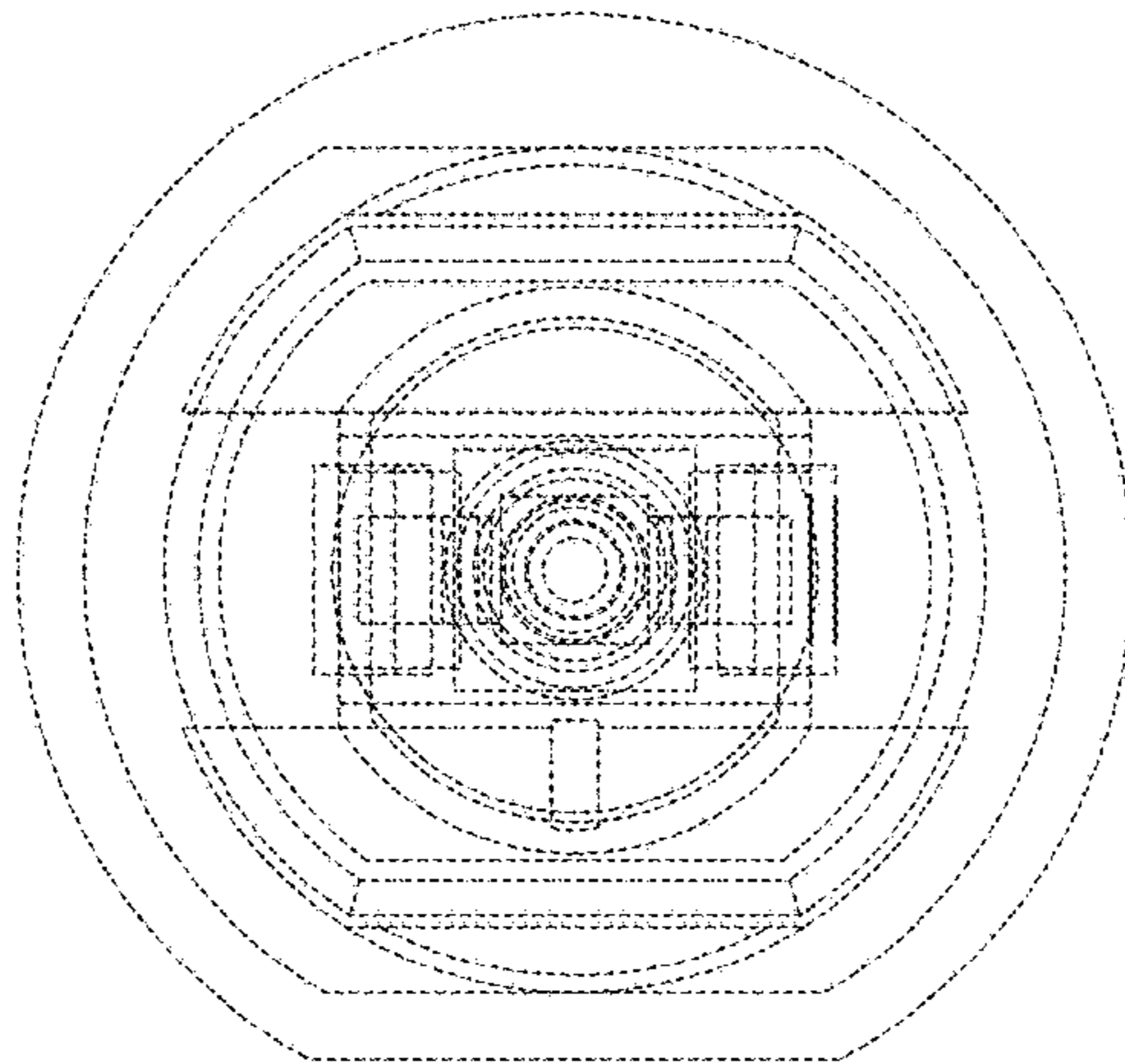


FIG.19

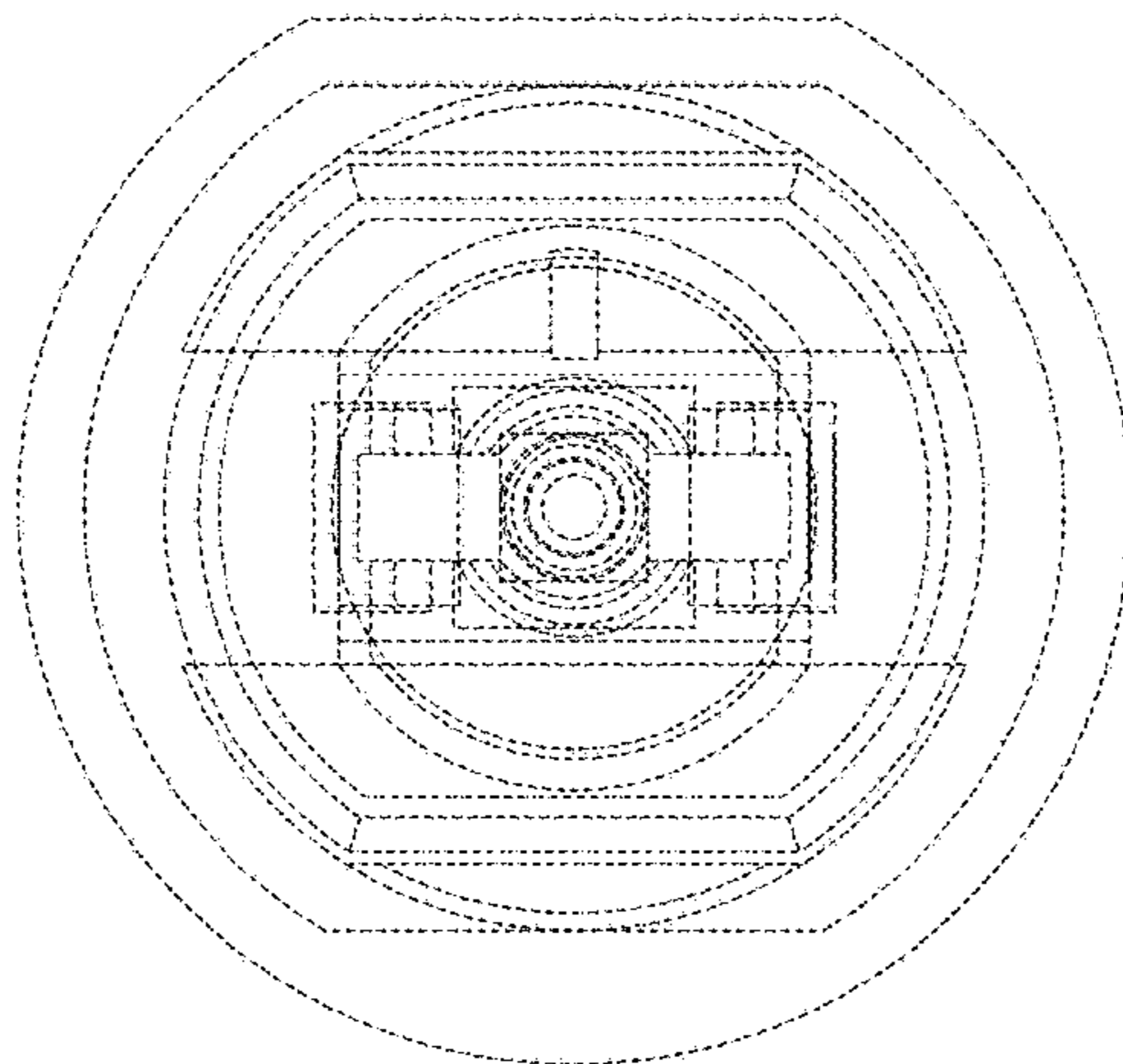


FIG.20

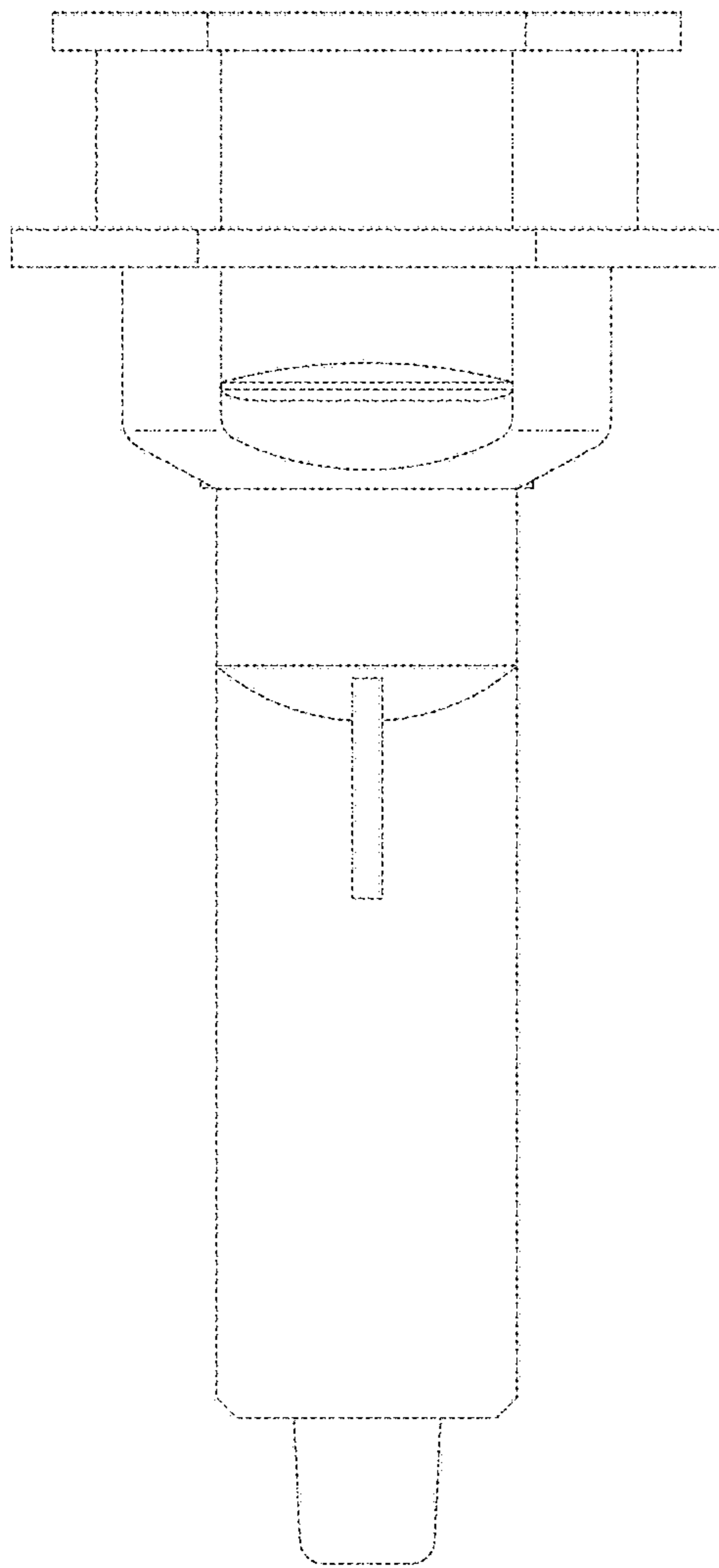


FIG.21

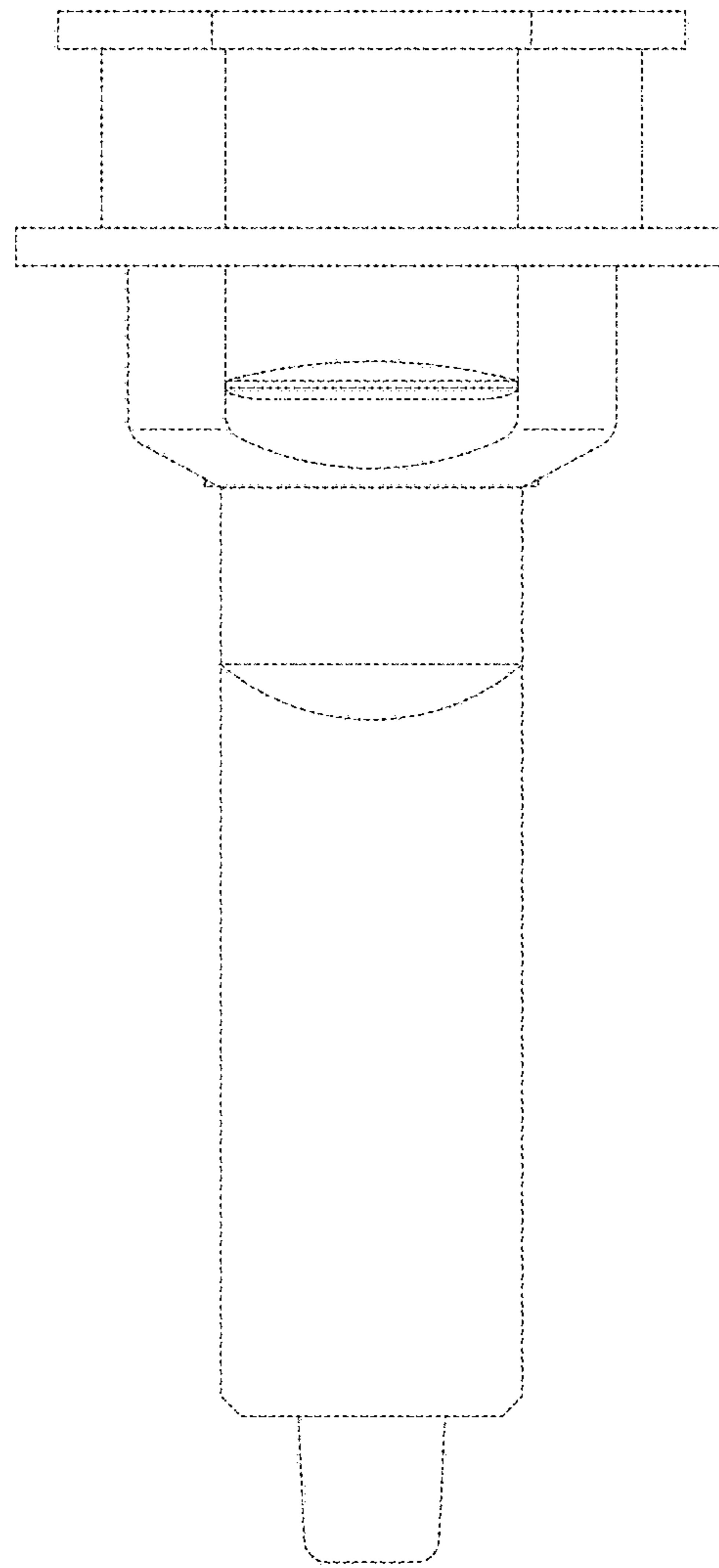


FIG.22

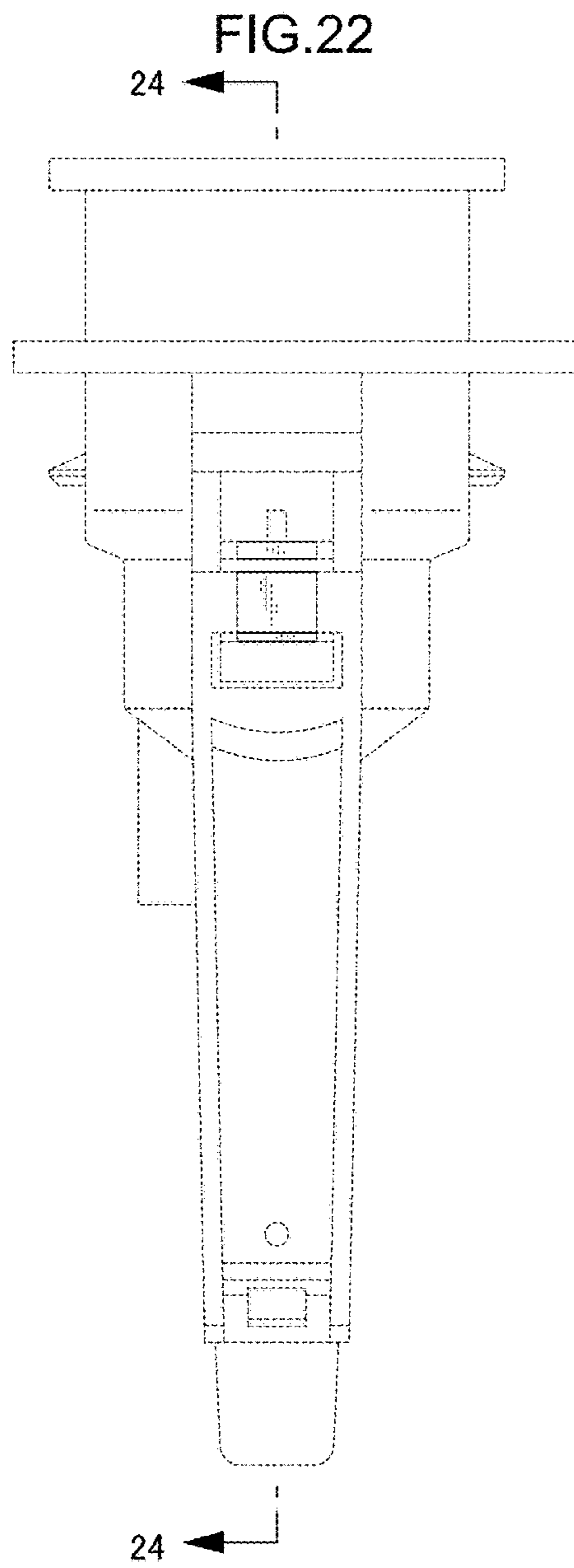


FIG.23

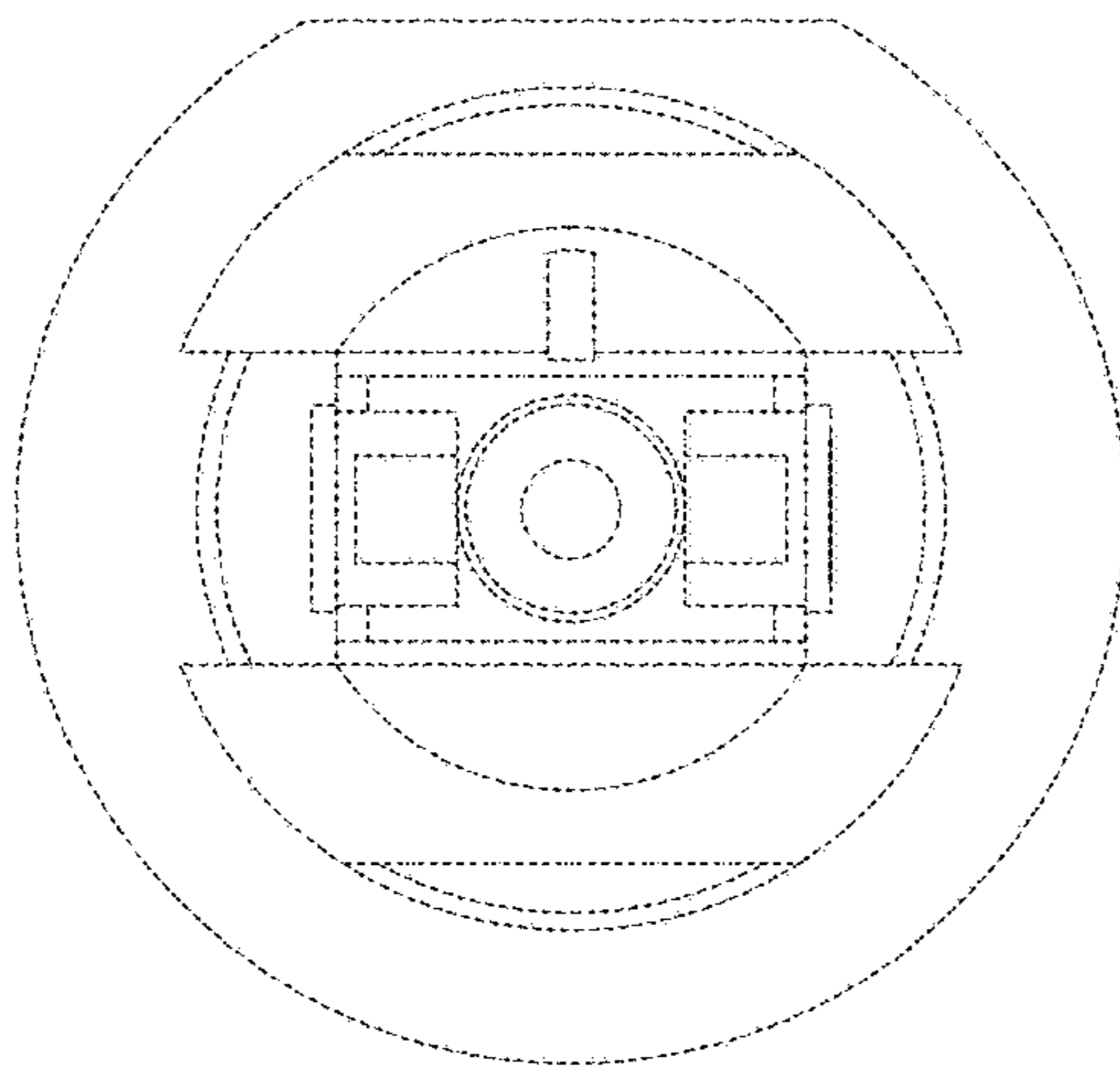


FIG.25

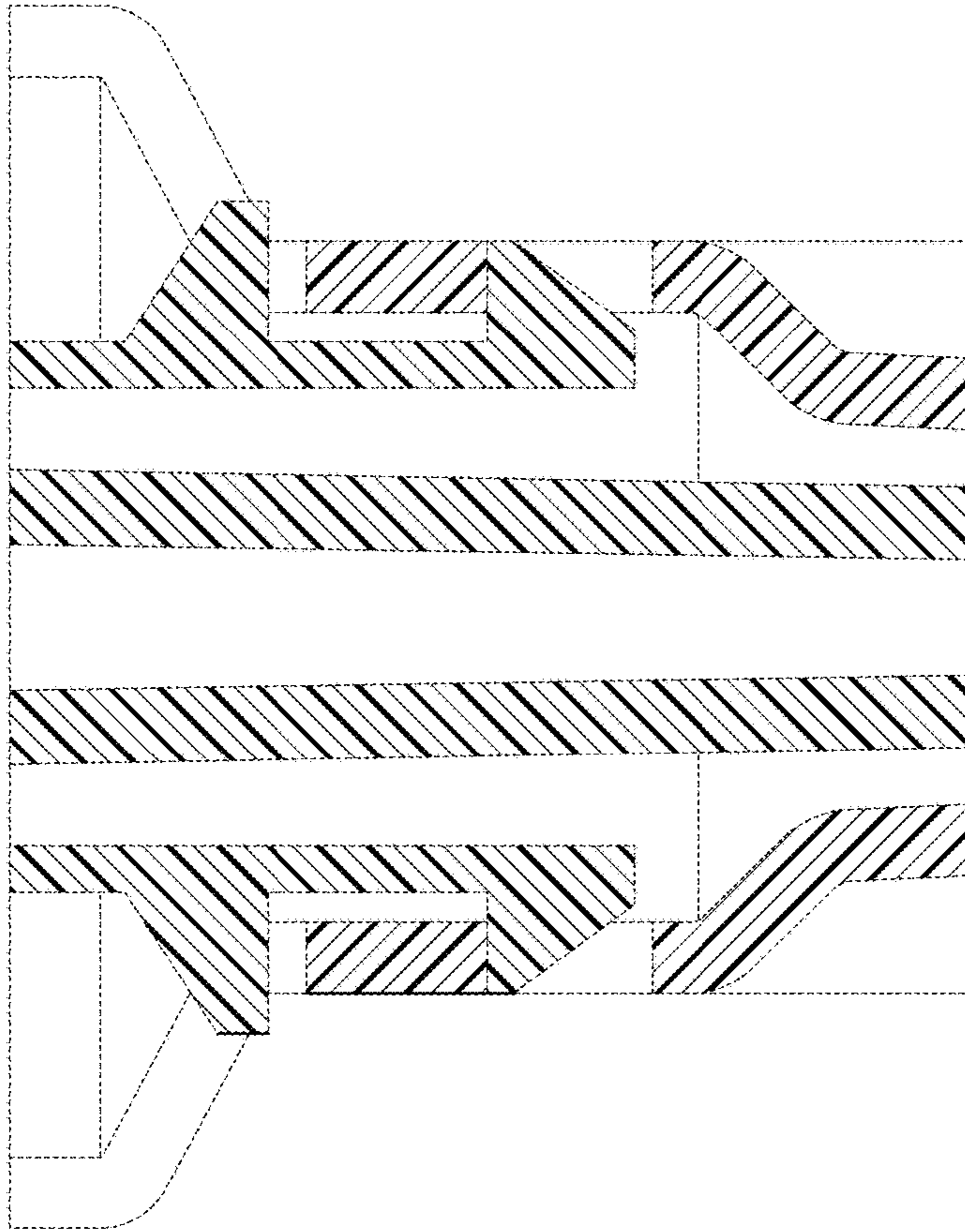


FIG.24

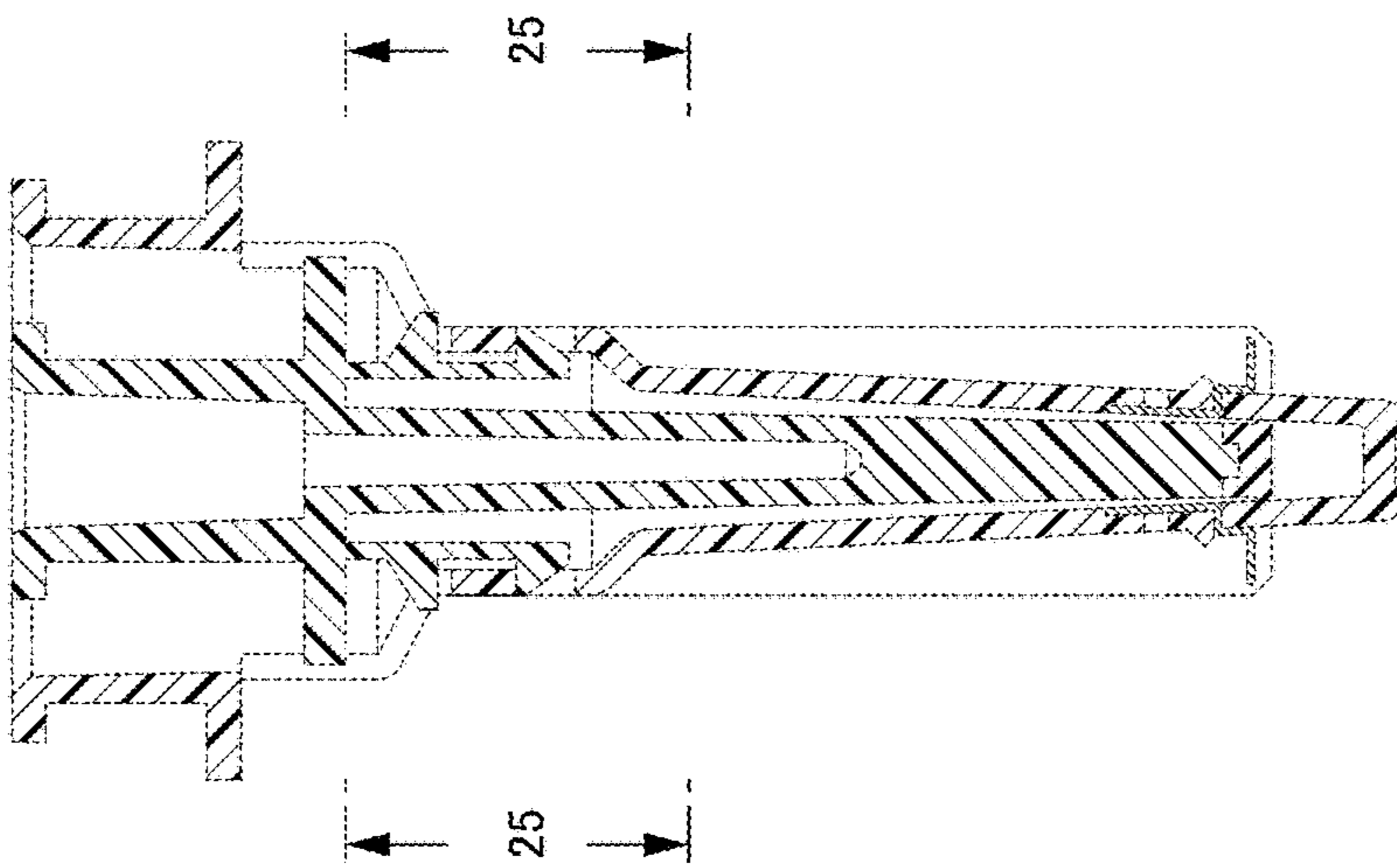


FIG.26

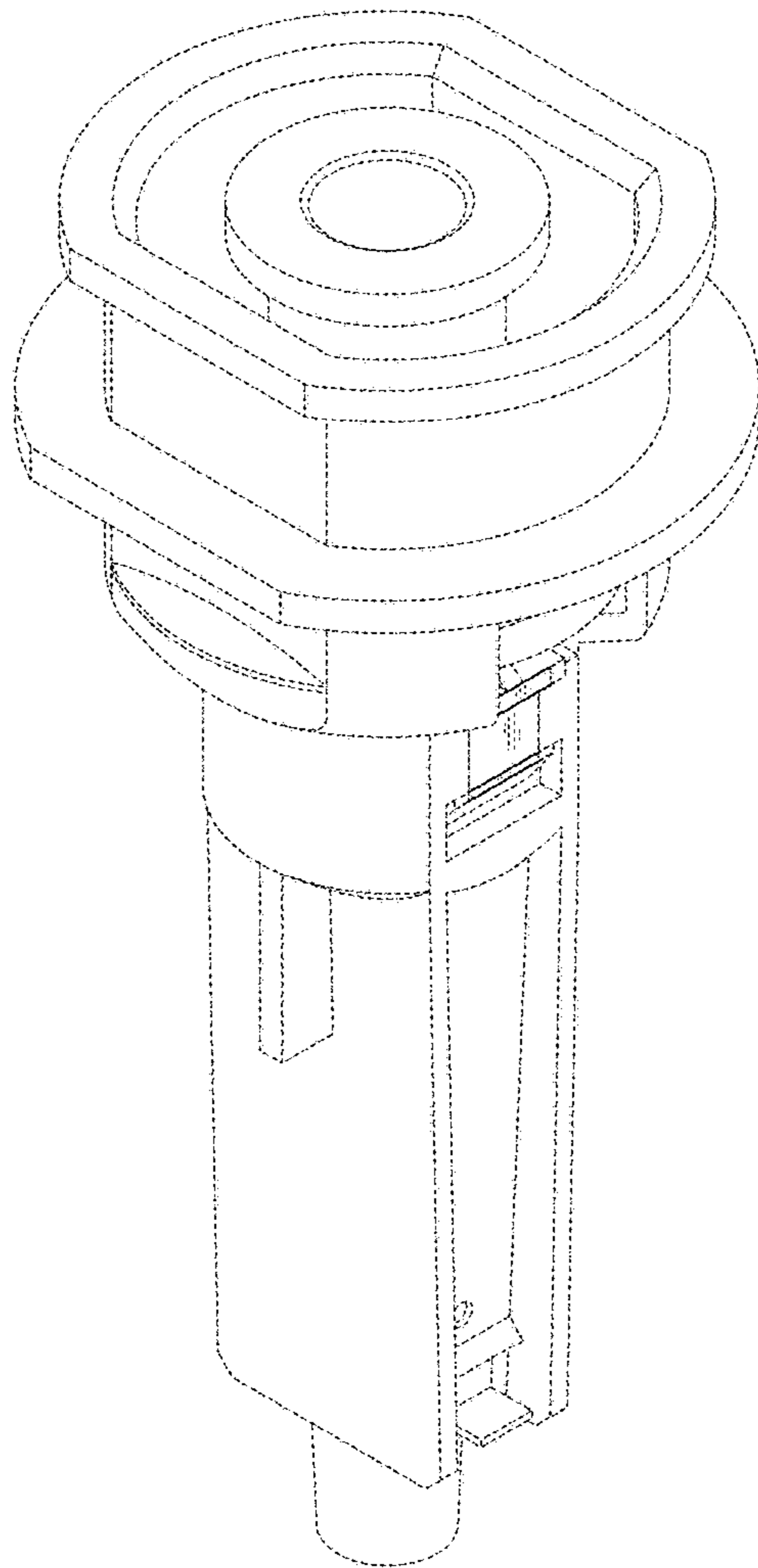


FIG.27

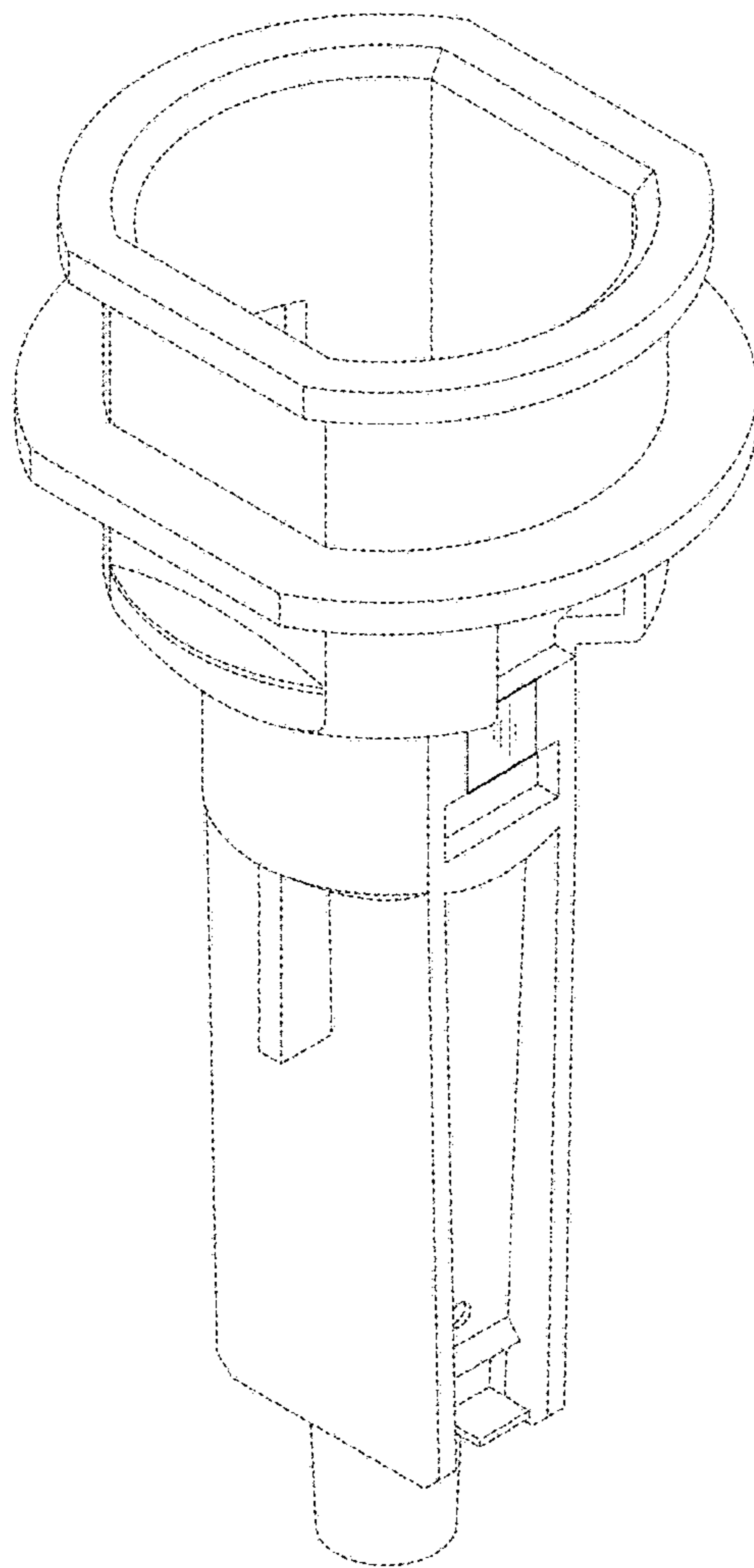


FIG.28

