



US00D862262S

(12) **United States Design Patent** (10) **Patent No.:** **US D862,262 S**
Chatzikonstantinou (45) **Date of Patent:** **** Oct. 8, 2019**

(54) **FLOW CHECKING APPARATUS**

(71) Applicant: **Heinrichs Messtechnik GmbH**,
Cologne (DE)

(72) Inventor: **Thomas Chatzikonstantinou**, Aachen
(DE)

(73) Assignee: **HEINRICHS MESSTECHNIK
GMBH**, Köln (DE)

(**) Term: **15 Years**

(21) Appl. No.: **29/650,636**

(22) Filed: **Jun. 8, 2018**

(30) **Foreign Application Priority Data**

Dec. 8, 2017 (EM) 004541183

(51) **LOC (12) Cl.** **10-04**

(52) **U.S. Cl.**
USPC **D10/96**

(58) **Field of Classification Search**

USPC D10/96
 CPC G01F 1/84; G01F 1/8404; G01F 1/8409;
 G01F 1/8413; G01F 1/8418; G01F
 1/8422; G01F 1/8427; G01F 1/8431;
 G01F 1/8436; G01F 1/844; G01F 1/8445;
 G01F 1/845; G01F 1/8454; G01F 1/8459;
 G01F 1/8463; G01F 1/8468; G01F
 1/8472; G01F 1/8477; G01F 1/8481;
 G01F 1/8486; G01F 1/849; G01F 1/8495

See application file for complete search history.

(56) **References Cited**

U.S. PATENT DOCUMENTS

6,776,052 B2 8/2004 Crisfield et al.
 D741,737 S * 10/2015 Feng D10/96
 2010/0005906 A1 1/2010 Shimizu et al.
 2011/0041623 A1 2/2011 Lanham et al.

FOREIGN PATENT DOCUMENTS

EP 1429119 A1 6/2004

* cited by examiner

Primary Examiner — Antoine Duval Davis

(74) *Attorney, Agent, or Firm* — The Roy Gross Law Firm, LLC; Roy Gross

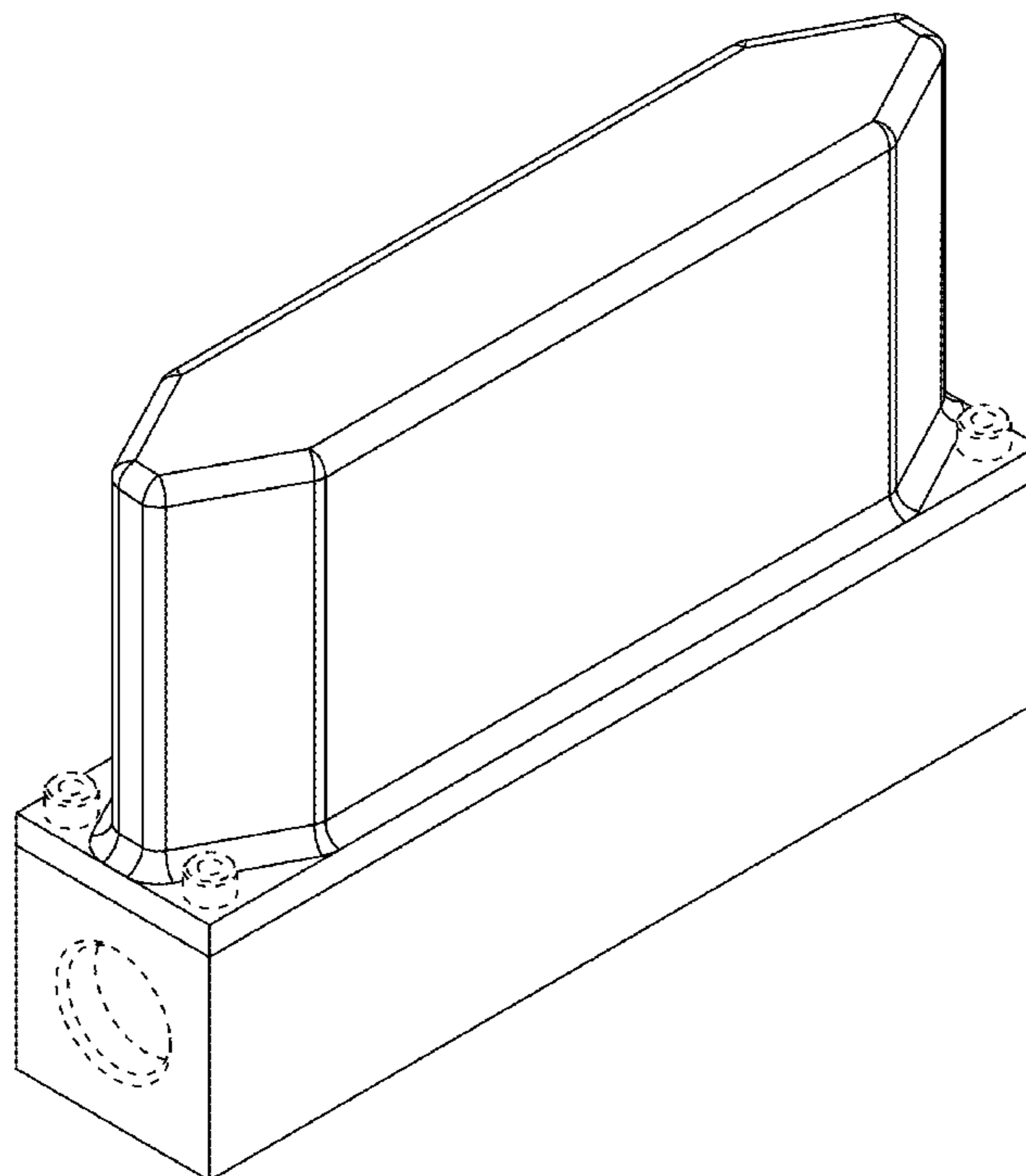
(57) **CLAIM**

The ornamental design for flow checking apparatus, as shown and described.

DESCRIPTION

FIG. 1 is a perspective view of a flow checking apparatus in accordance with the new design;
 FIG. 2 is a front view thereof;
 FIG. 3 is a rear view thereof;
 FIG. 4 is a left side view thereof;
 FIG. 5 a right side view thereof;
 FIG. 6 is a top view thereof; and,
 FIG. 7 is a bottom view thereof.

1 Claim, 7 Drawing Sheets



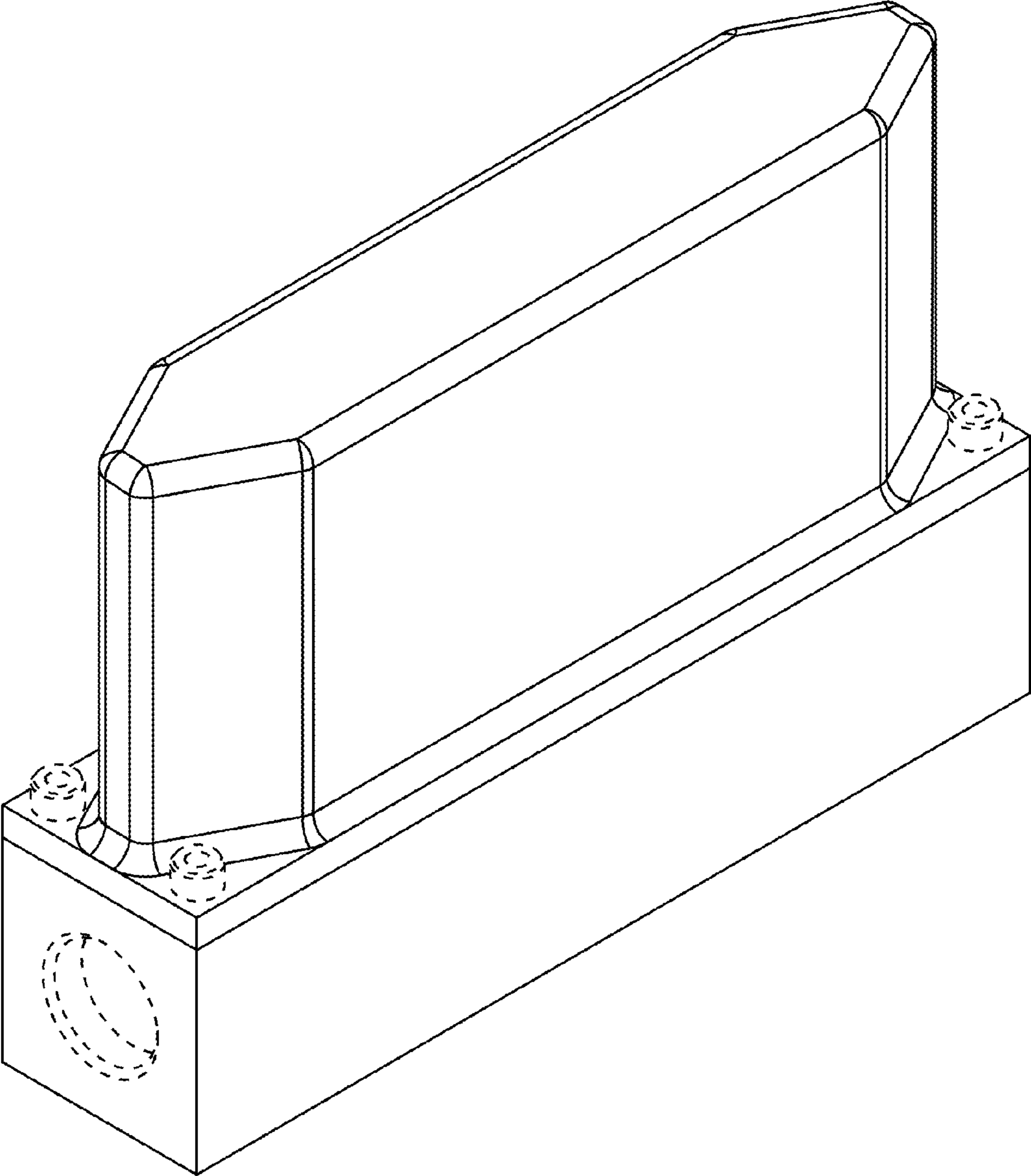


Fig. 1

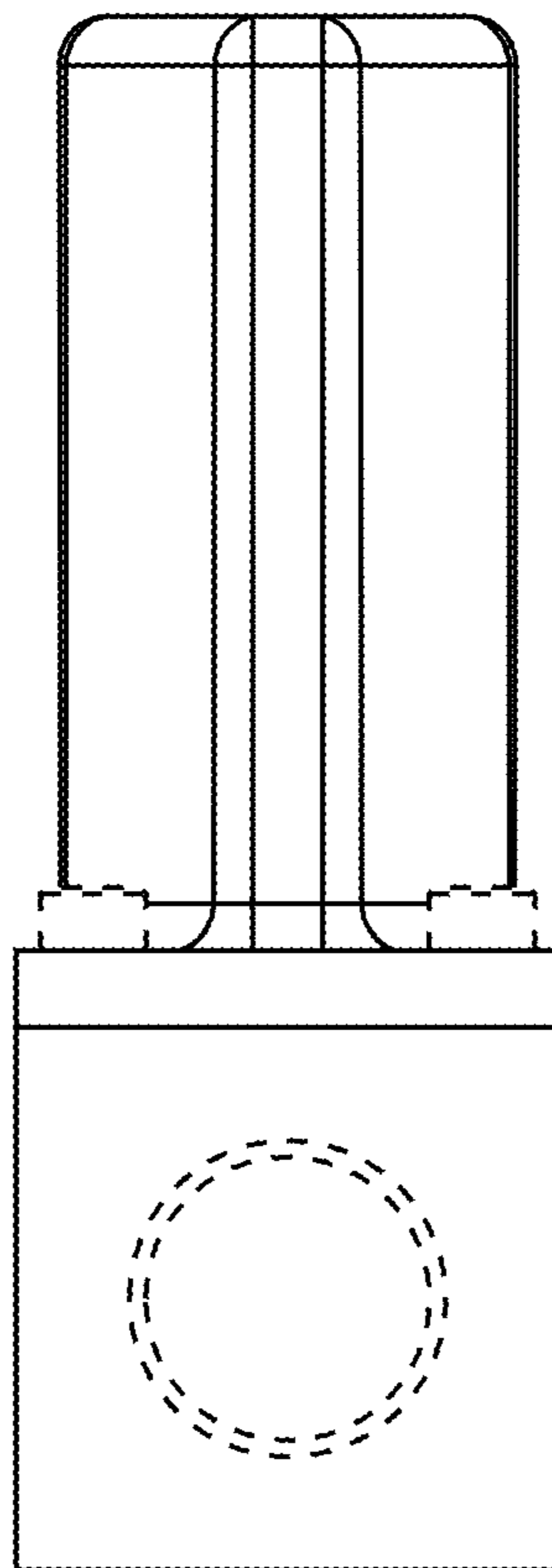


Fig. 2

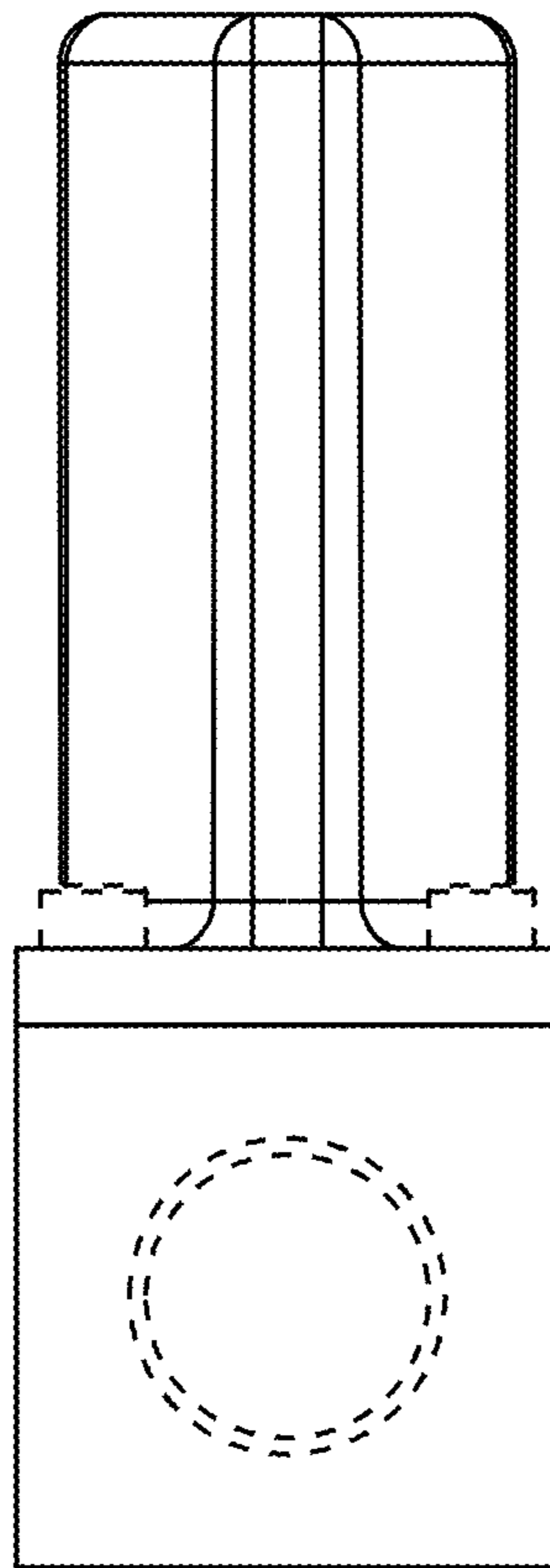


Fig. 3

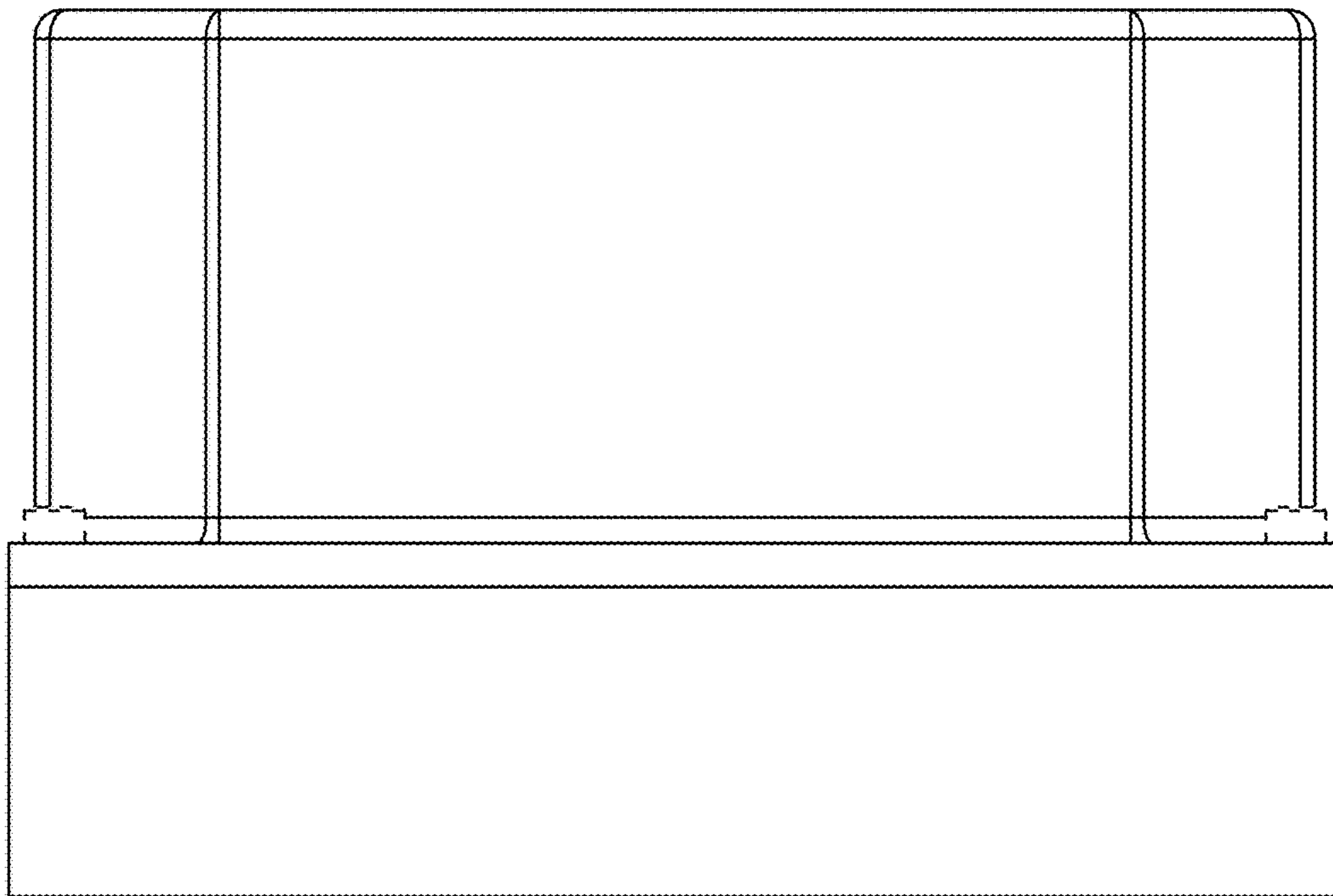


Fig. 4

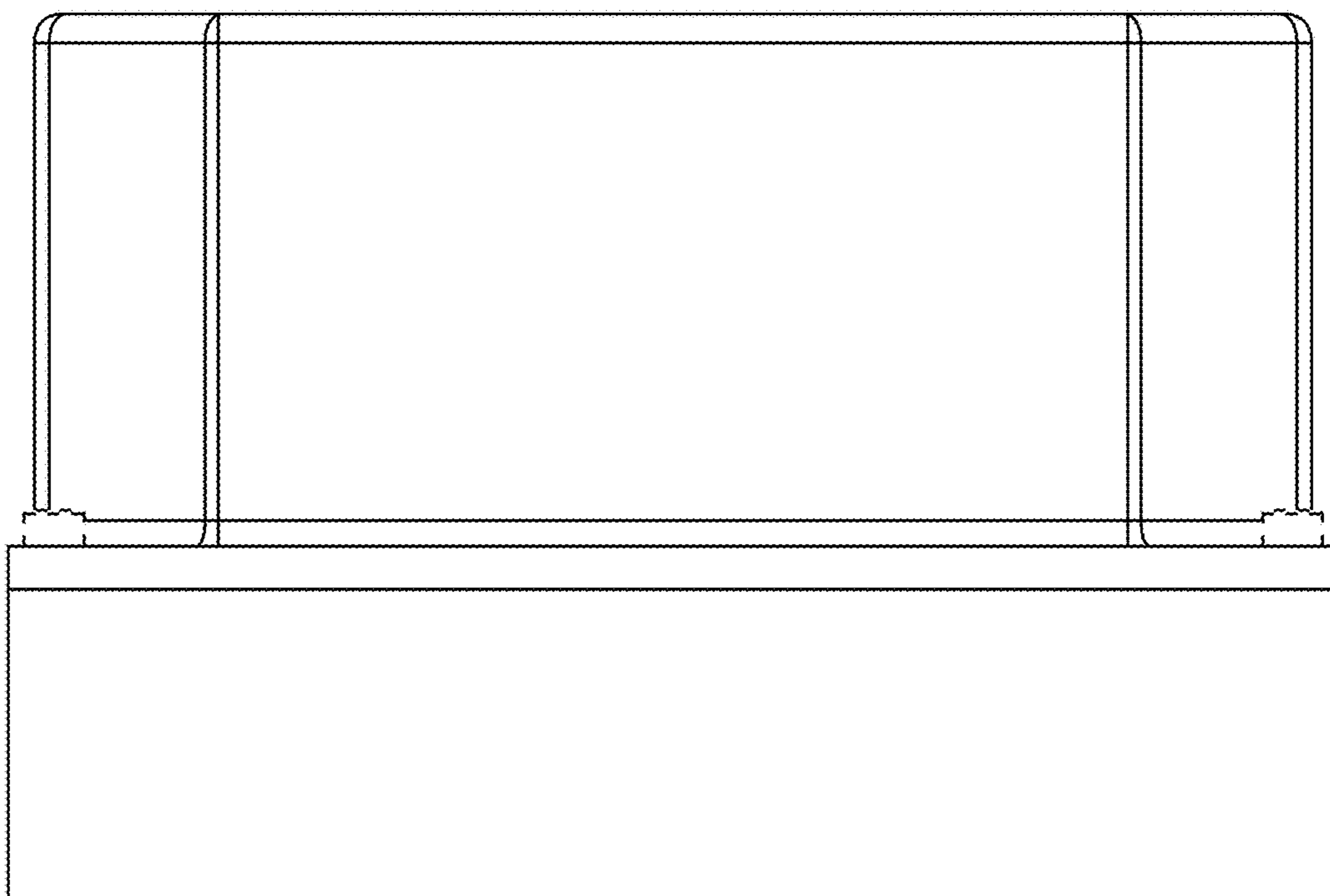


Fig. 5

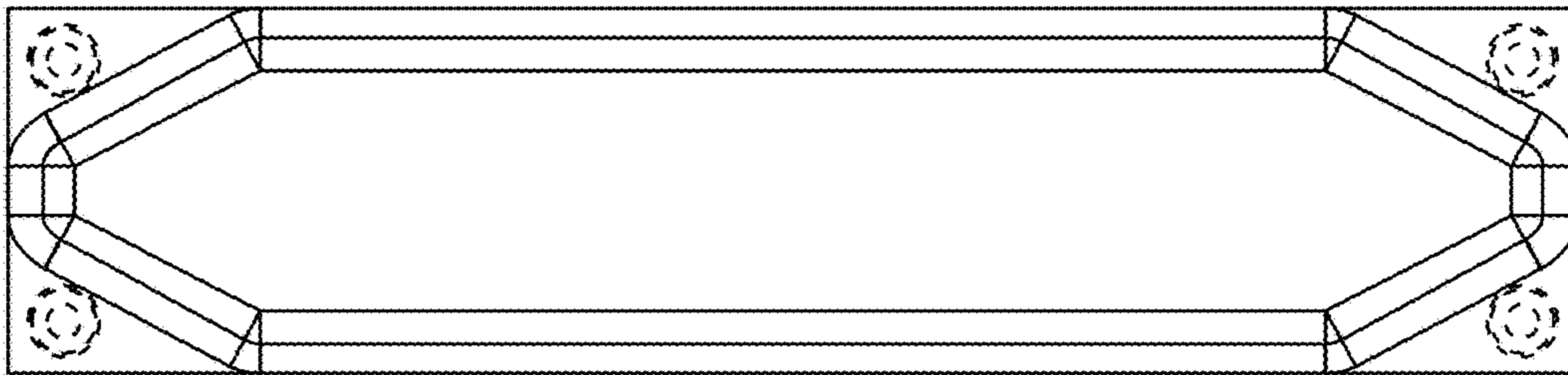


Fig. 6



Fig. 7