



US00D862261S

(12) **United States Design Patent** (10) **Patent No.:** **US D862,261 S**
Mocroft et al. (45) **Date of Patent:** **** Oct. 8, 2019**

(54) **INSTRUMENT FOR CHEMICAL ANALYSIS AND MEASURING PARTICLE SIZE**

(56) **References Cited**

(71) Applicant: **MALVERN INSTRUMENTS LIMITED**, Malvern, Worcestershire (GB)

(72) Inventors: **James Mocroft**, Malvern (GB);
Michael John George, Warwick (GB);
Christopher Nigel Langley, Warwick (GB)

U.S. PATENT DOCUMENTS

D476,020 S *	6/2003	Chih	D10/46
D680,009 S *	4/2013	Marmier	D10/56
D755,651 S *	5/2016	Henssler	D10/46
D759,838 S *	6/2016	Marmier	D24/227
D795,933 S *	8/2017	Yauchi	D15/122
D820,120 S *	6/2018	Sekine	D10/46
D820,703 S *	6/2018	Amamiya	D10/81

* cited by examiner

(**) Term: **15 Years**

Primary Examiner — George D. Kirschbaum

(21) Appl. No.: **35/504,781**

(57) **CLAIM**

(22) Filed: **Dec. 6, 2017**

The ornamental design for an instrument for chemical analysis and measuring particle size, as shown and described.

(80) **Hague Agreement Data**

Int. Filing Date: **Dec. 6, 2017**
 Int. Reg. No.: **DM/100537**
 Int. Reg. Date: **Dec. 6, 2017**
 Int. Reg. Pub. Date: **Apr. 20, 2018**

DESCRIPTION

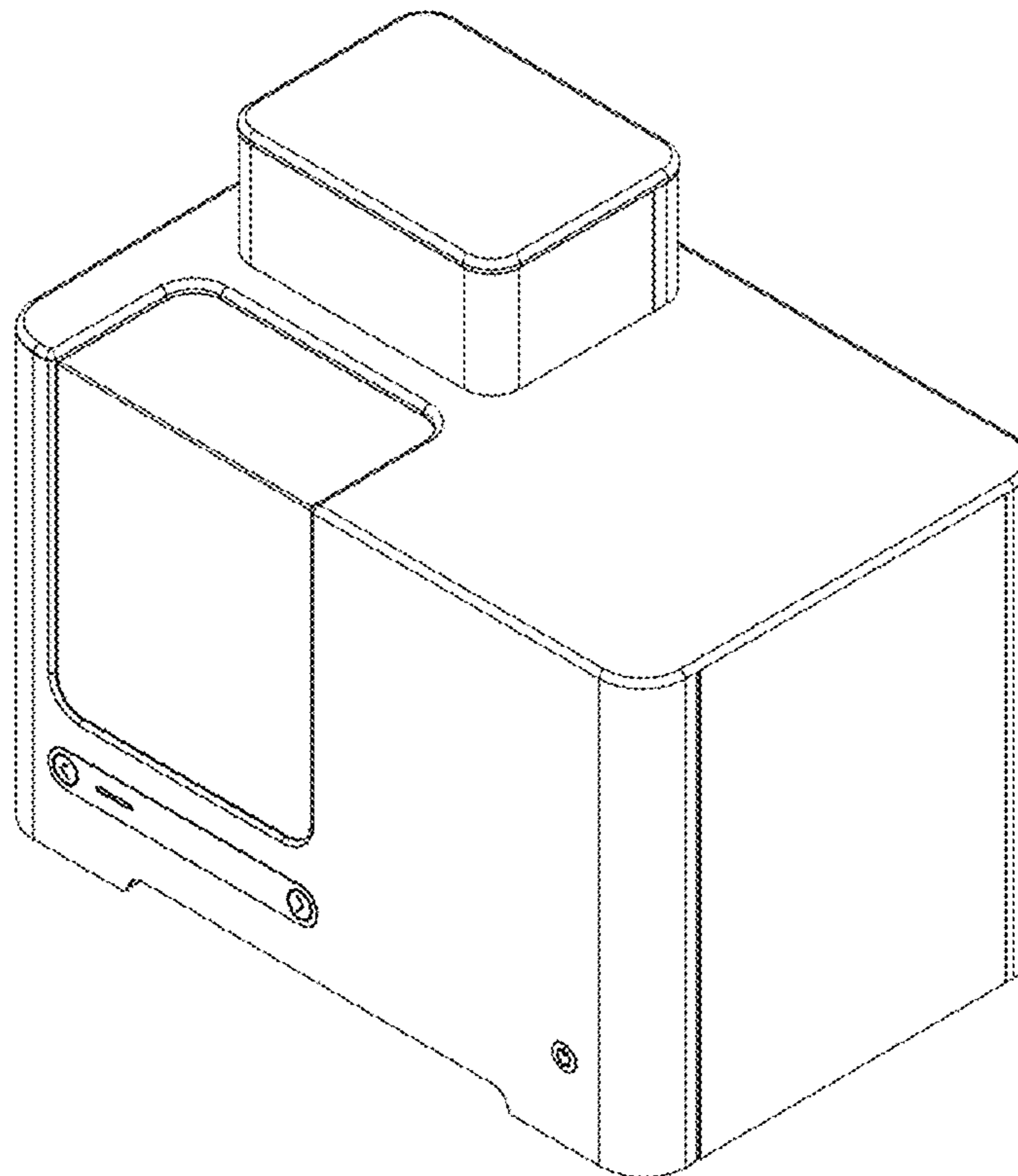
(51) **LOC (12) Cl.** **10-04**

(52) **U.S. Cl.**
USPC **D10/81**

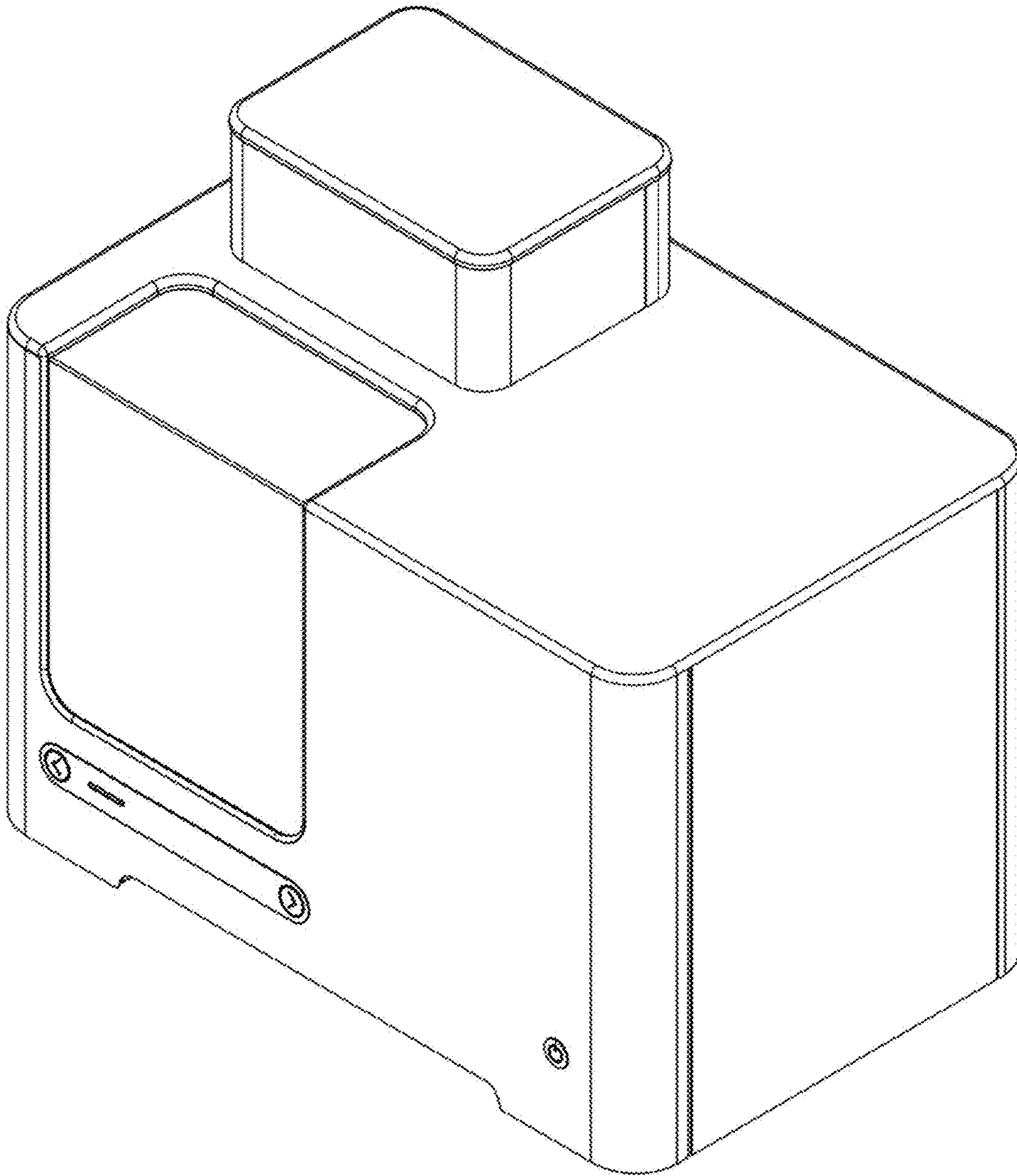
(58) **Field of Classification Search**
USPC D10/81, 46, 56; D15/122; D24/227
See application file for complete search history.

- 1.1 is a front perspective view.
- 1.2 is a front view.
- 1.3 is a side view.
- 1.4 is a rear view.
- 1.5 is a side view of the opposite side of 1.3.
- 1.6 is a top view.
- 1.7 is a bottom view.

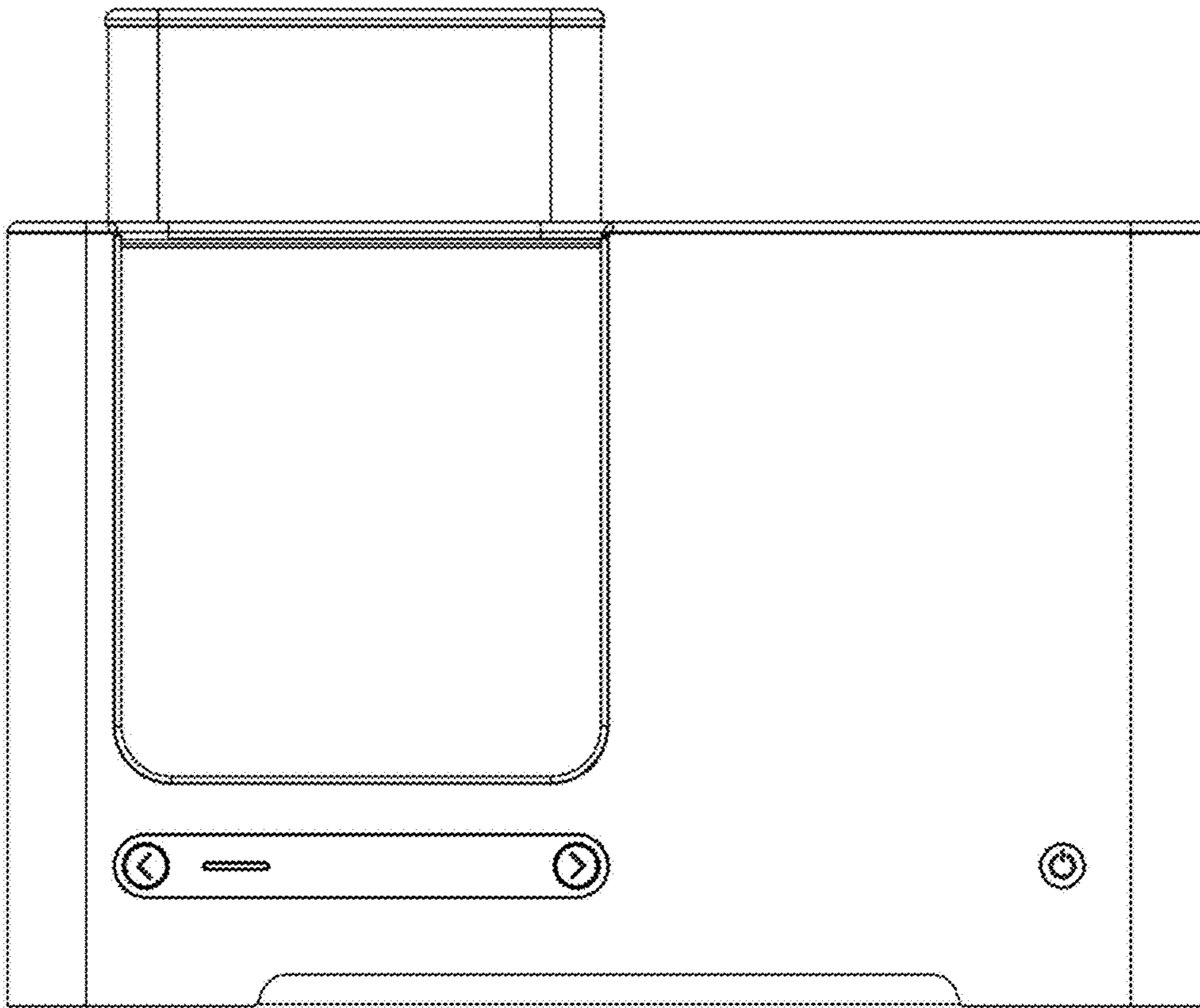
1 Claim, 7 Drawing Sheets



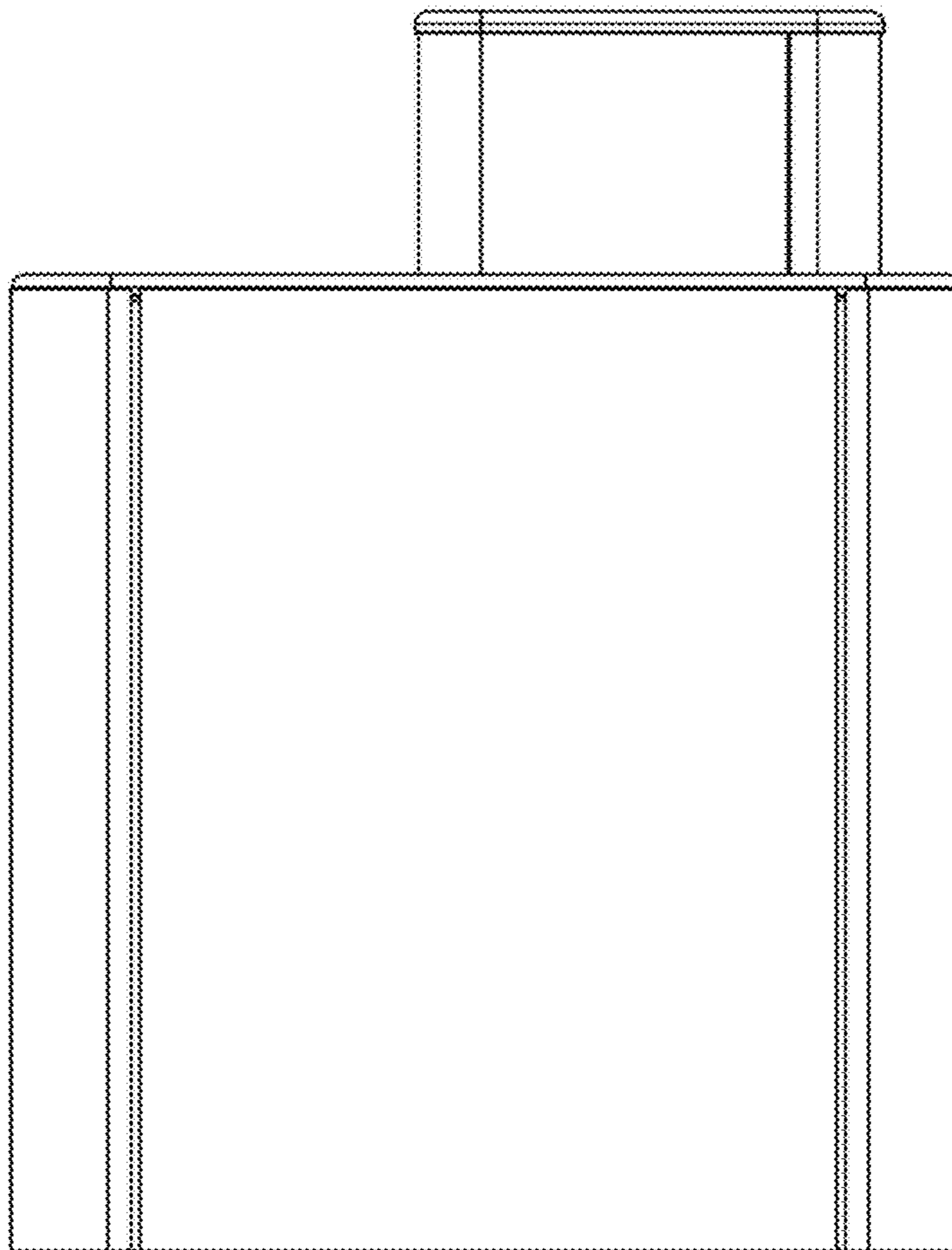
1.1



1.2



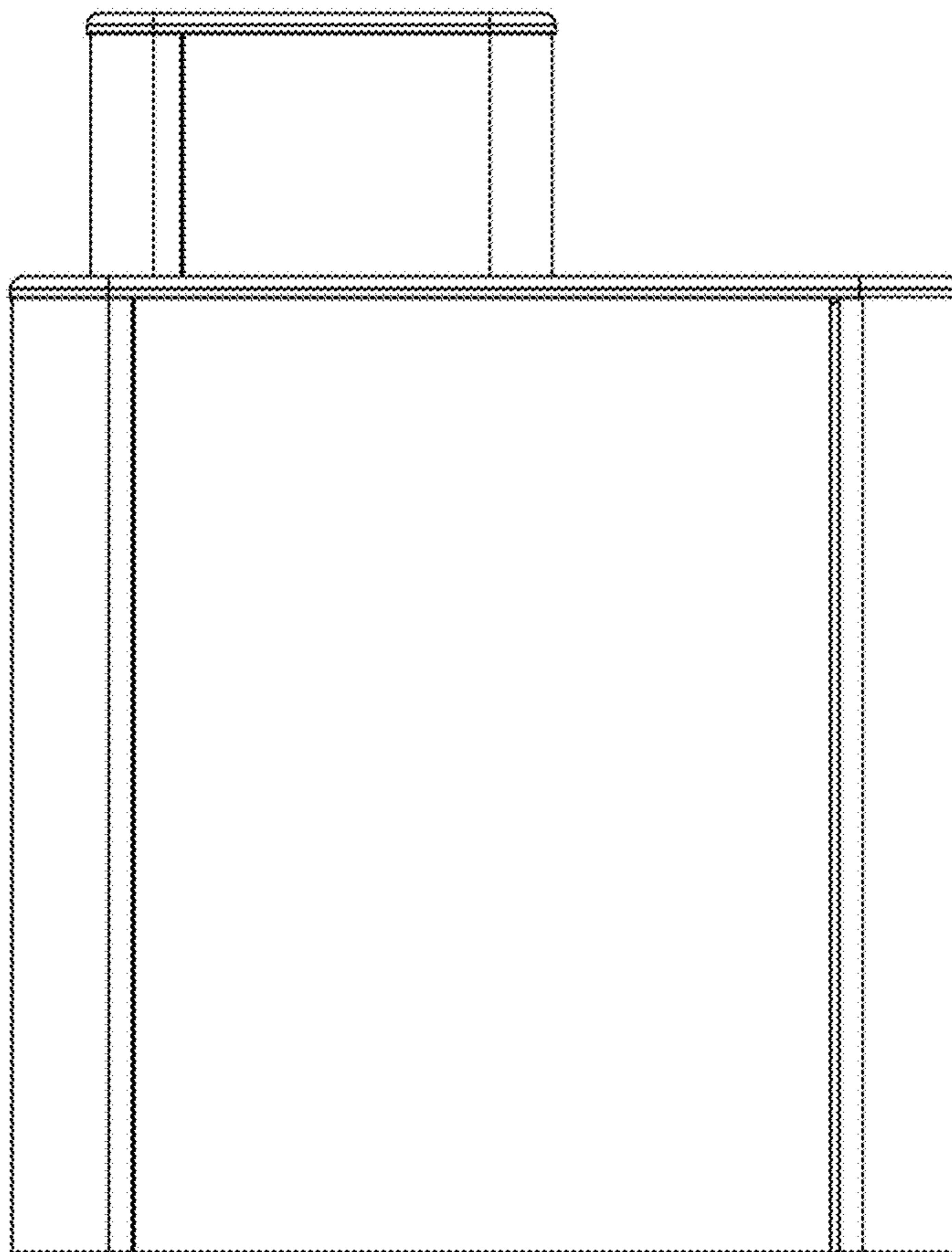
1.3



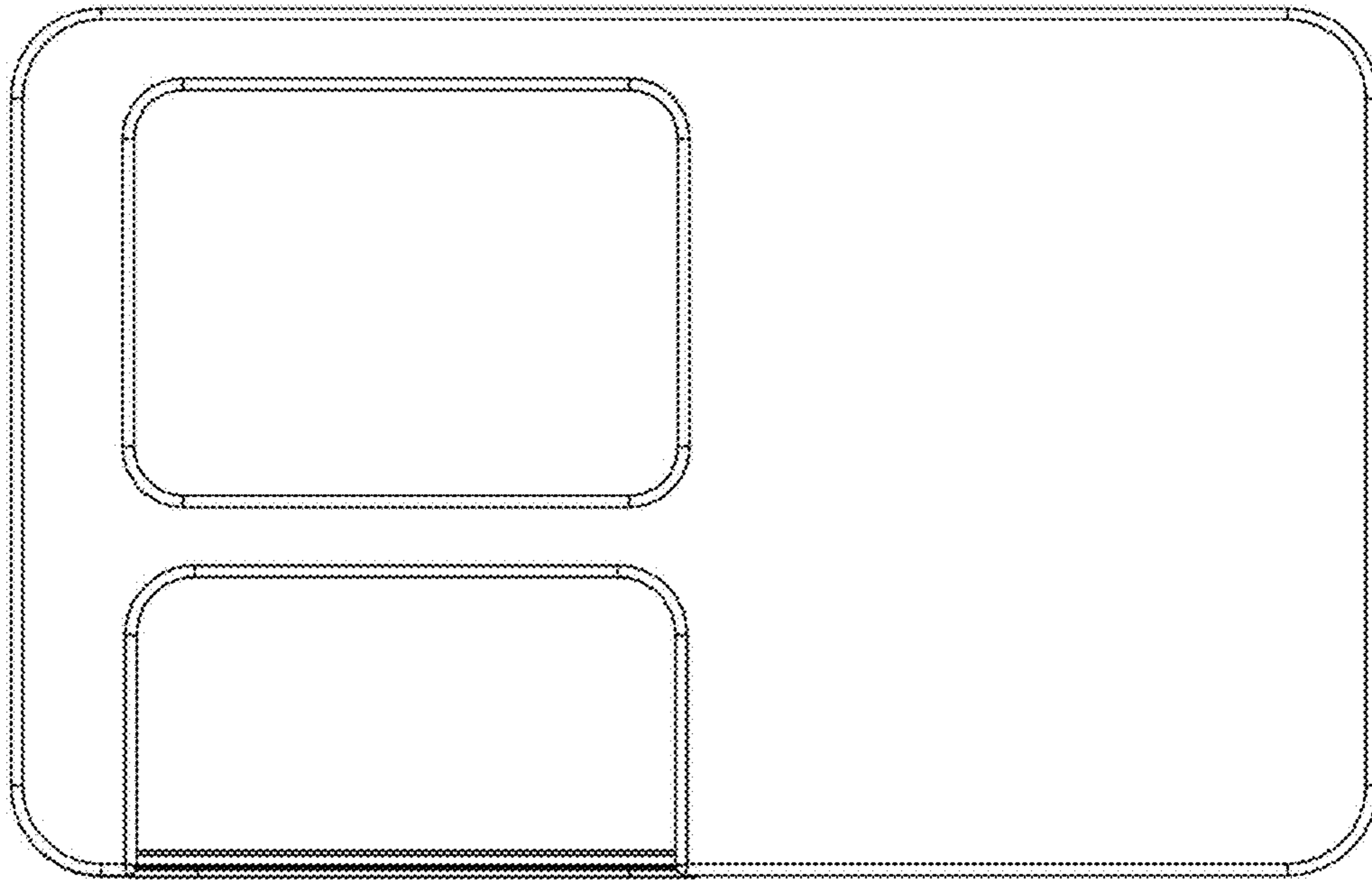
1.4



1.5



1.6



1.7

