

US00D862260S

(12) **United States Design Patent** (10) **Patent No.:** **US D862,260 S**  
**Nelko** (45) **Date of Patent:** **\*\* Oct. 8, 2019**

(54) **GAS MONITOR AND REMOTE DISPLAY**

2007/0087; A61F 2007/0093; A61F  
2007/0095; A61F 2007/0096; F25D  
2400/26

(71) Applicant: **William Nelko**, Cranberry Township,  
PA (US)

See application file for complete search history.

(72) Inventor: **William Nelko**, Cranberry Township,  
PA (US)

(56) **References Cited**

(73) Assignee: **ChemDAQ Inc.**, Pittsburgh, PA (US)

U.S. PATENT DOCUMENTS

(\*\*) Term: **15 Years**

4,922,059	A *	5/1990	Walker .....	H05K 1/0278 174/254
D464,031	S *	10/2002	Gillingham .....	D13/184
6,744,373	B2 *	6/2004	Koyano .....	G08B 21/14 324/464
D558,622	S *	1/2008	Hilliker .....	D10/81
D806,658	S *	1/2018	Chui .....	D13/168

(21) Appl. No.: **29/646,466**

(22) Filed: **May 4, 2018**

\* cited by examiner

(51) **LOC (12) Cl.** ..... **10-04**

*Primary Examiner* — Antoine Duval Davis

(52) **U.S. Cl.**  
USPC ..... **D10/81**

(74) *Attorney, Agent, or Firm* — P. Richard Warburton

(58) **Field of Classification Search**  
USPC ..... D10/81, 49, 50; D13/162, 162.1, 168,  
D13/177, 184

(57) **CLAIM**

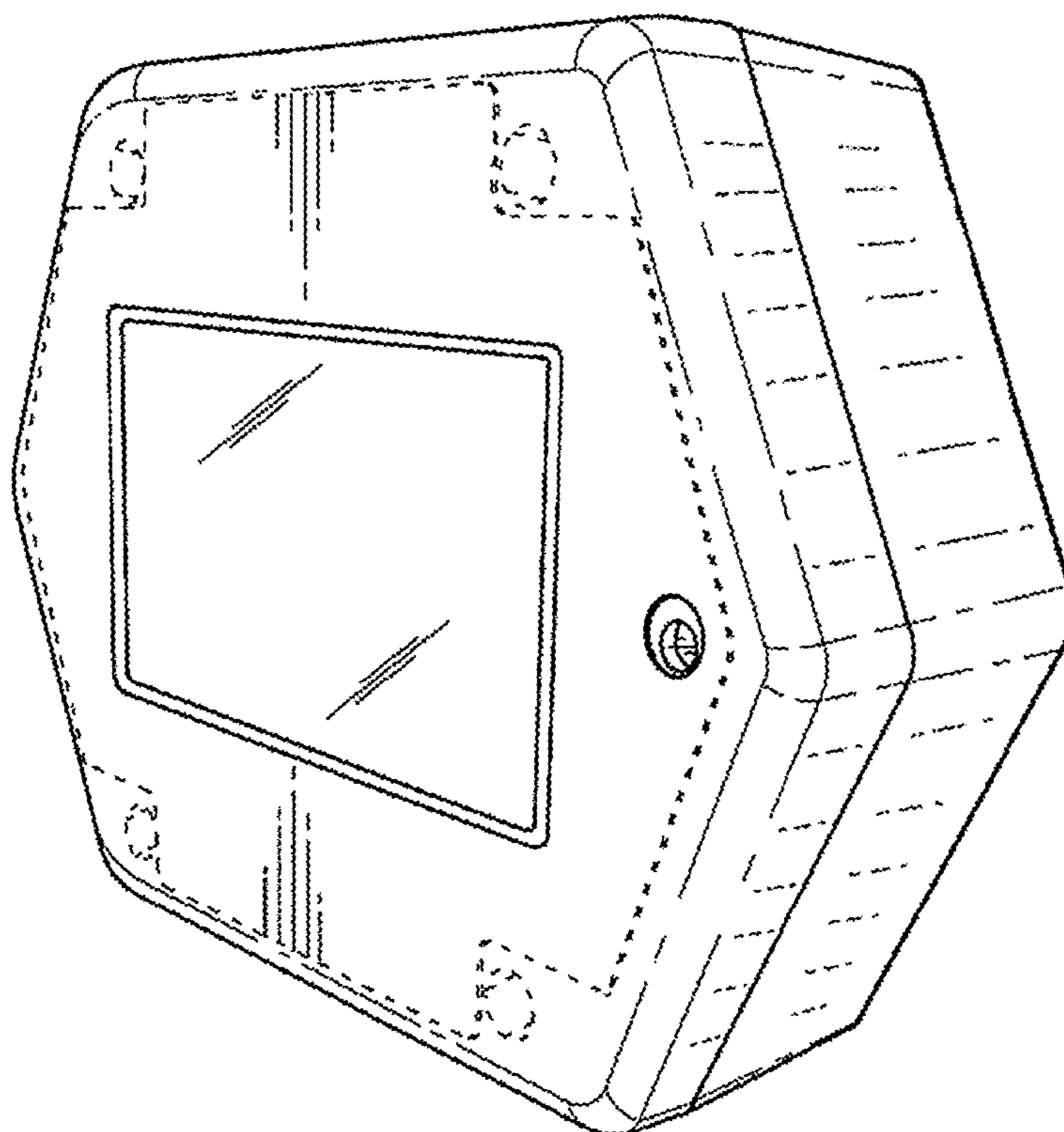
The ornamental design for gas monitor and remote display,  
as shown and described.

CPC ..... G01D 11/24; G01N 27/16; G01N 27/18;  
G01N 27/185; G01N 33/0006; G01N  
33/0009–33/0075; G01N 1/24; G01N  
1/2205; G01N 1/2273; G01N 2001/2276;  
G08B 17/10–17/117; A61F 7/02; A61F  
2007/0002; A61F 2007/001; A61F  
2007/0011; A61F 2007/0056; A61F  
2007/009; A61F 2007/0225; A61F  
7/0085; A61F 2007/0086; A61F

**DESCRIPTION**

FIG. 1 is a front view of a gas monitor and remote display  
showing the new design; and,  
FIG. 2 is a front left side view of a gas monitor and remote  
display showing the new design.

**1 Claim, 2 Drawing Sheets**



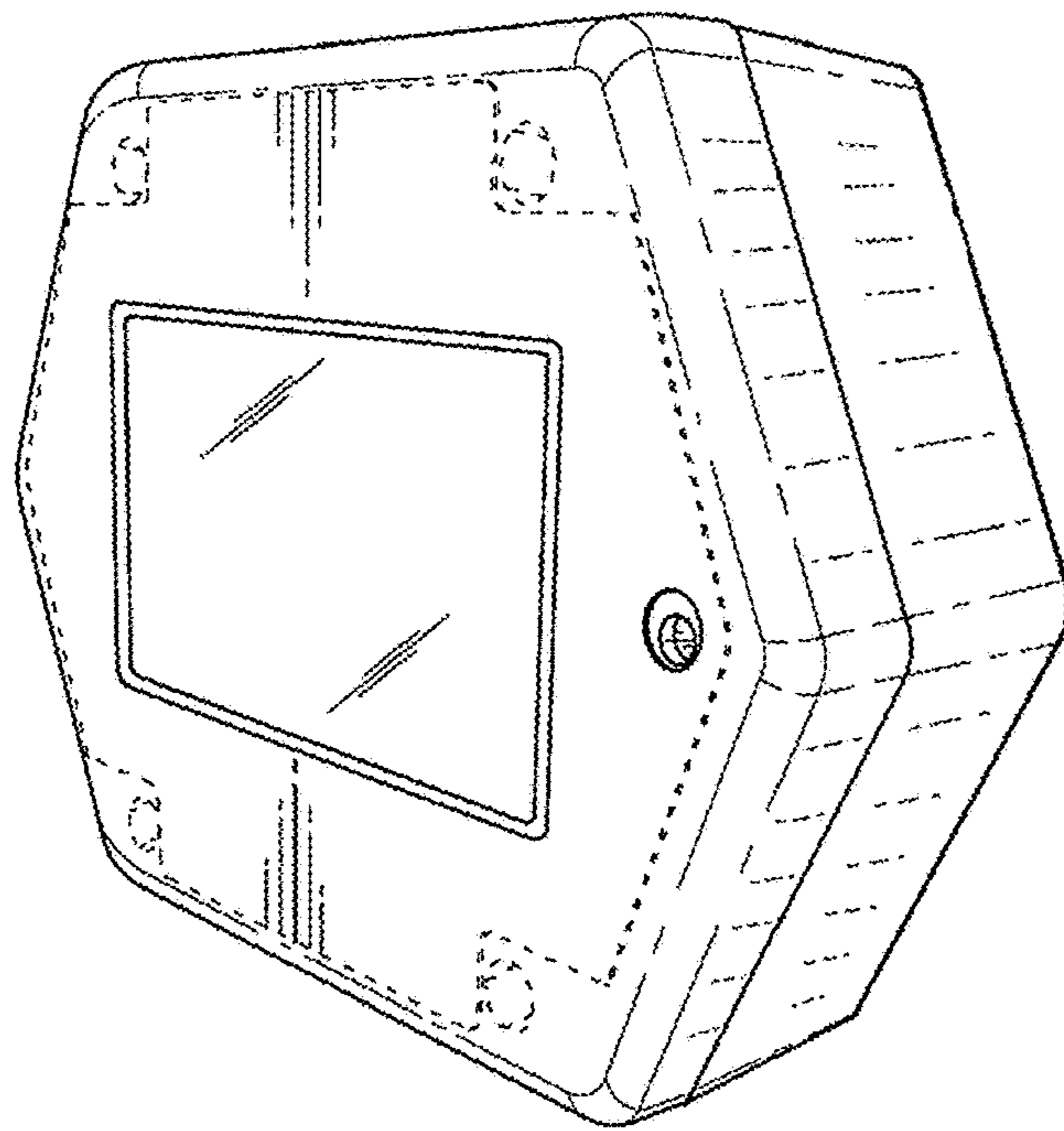


Figure 1

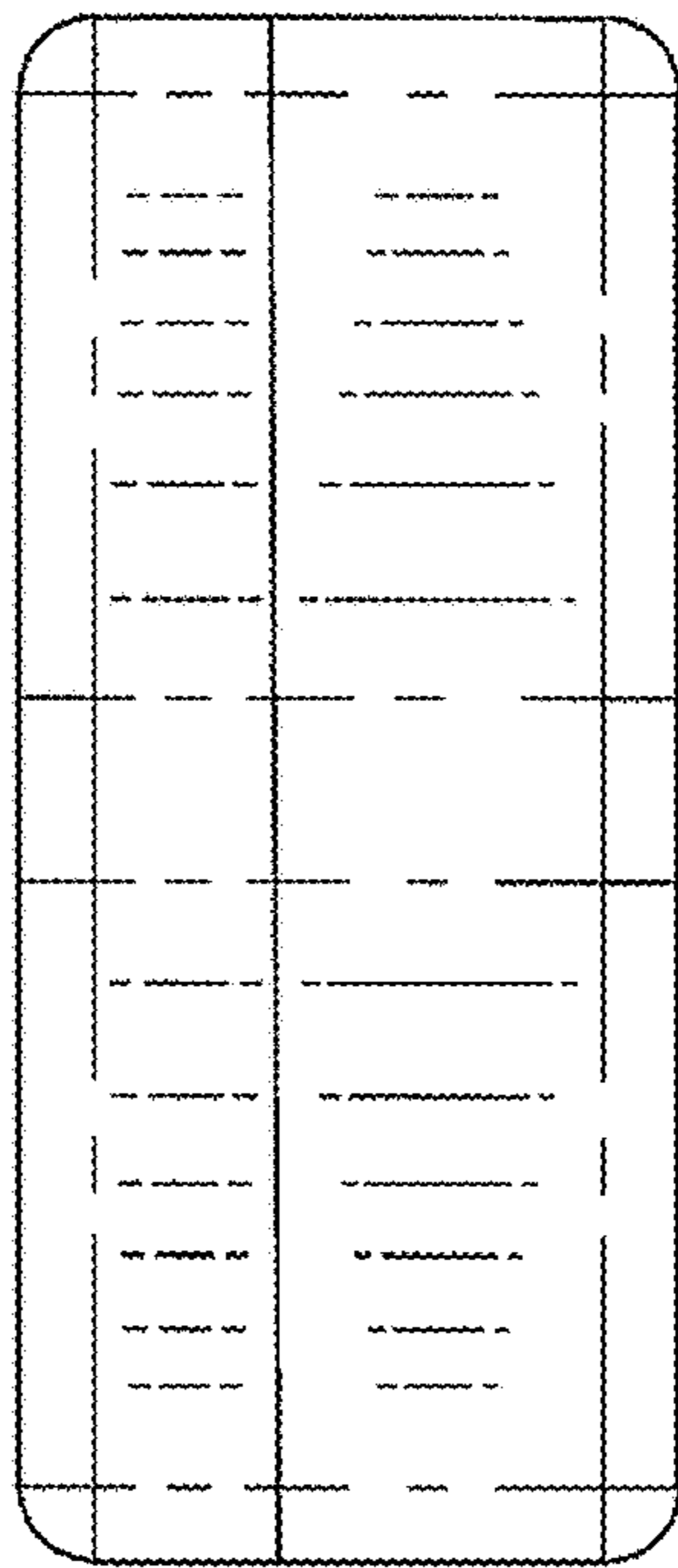


Figure 2