



US00D862257S

(12) **United States Design Patent**
Wang et al.

(10) **Patent No.:** **US D862,257 S**
(45) **Date of Patent:** **** Oct. 8, 2019**

(54) **SENSOR FOR DETECTING DISTANCE**

(71) Applicant: **Benewake (Beijing) Tech. Co., Ltd.**,
Beijing (CN)

(72) Inventors: **Haibo Wang**, Beijing (CN); **Qingshun Zhang**, Beijing (CN); **Da Shu**, Beijing (CN); **Yuan Li**, Beijing (CN)

(73) Assignee: **BENEWAKE (BEIJING) TECH. CO. LTD.**, Beijing (CN)

(**) Term: **15 Years**

(21) Appl. No.: **29/619,023**

(22) Filed: **Sep. 26, 2017**

(30) **Foreign Application Priority Data**

Mar. 29, 2017 (CN) 2017 3 0098576
Sep. 13, 2017 (CN) 2017 3 0433913

(51) **LOC (12) Cl.** **10-04**

(52) **U.S. Cl.**
USPC **D10/70**

(58) **Field of Classification Search**

USPC D10/70
CPC .. G01P 13/00; G01P 13/0006; G01P 13/0013;
G01P 13/002; G01P 13/0026; G01P 13/0033; G01P 13/004; G01P 13/0046;
G01P 13/0053; G01P 13/006; G01P 13/0066; G01P 13/0073; G01P 13/008;
G01P 13/0086; G01P 13/0093; G08B 21/00; G08B 21/02; G08B 21/0202;
G08B 21/0205; G08B 21/0208; G08B 21/0211; G08B 21/0213; G08B 21/0216;
G08B 21/0219; G08B 21/0222; G08B 21/0225; G08B 21/0227; G08B 21/023;
G08B 21/0233; G08B 21/0236; G08B 21/0238; G08B 21/0241; G08B 21/0244;
G08B 21/0247; G08B 21/025; G08B 21/0252; G08B 21/0258; G08B 21/0261;
G08B 21/0263; G08B 21/0266; G08B 21/0269; G08B 21/0272; G08B 21/0275;

G08B 21/0277; G08B 21/028; G08B 21/0283; G08B 21/0286; G08B 21/0288; G08B 21/0291; G08B 21/0194; G08B 21/0297; G08B 21/04; G08B 21/0407; G08B 21/0415; G08B 21/0423; G08B
(Continued)

(56) **References Cited**

U.S. PATENT DOCUMENTS

D775,979 S * 1/2017 Christianson D10/106.6

* cited by examiner

Primary Examiner — Antoine Duval Davis

(74) *Attorney, Agent, or Firm* — Schwabe Williamson & Wyatt, PC

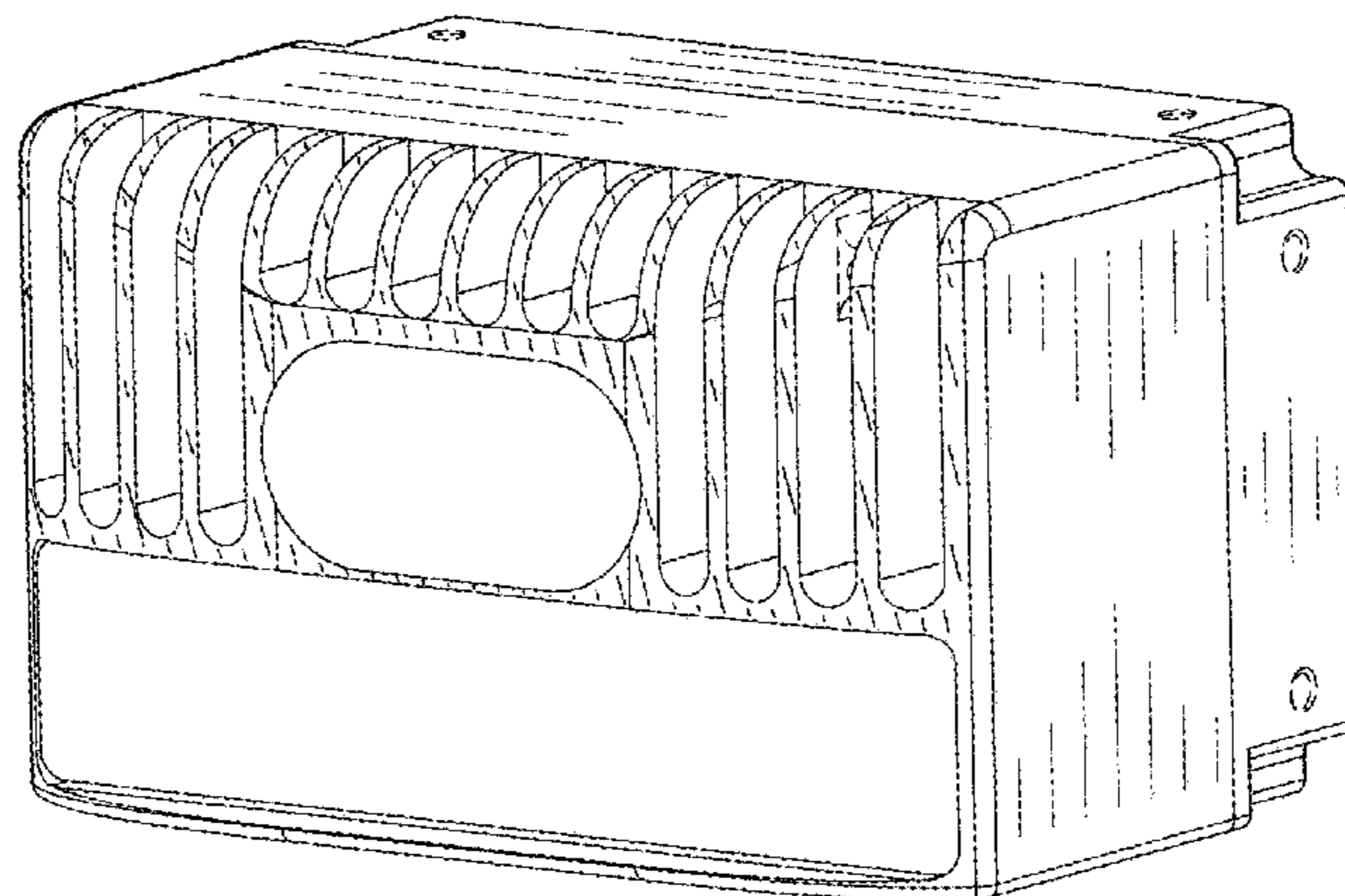
(57) **CLAIM**

The ornamental design for a sensor for detecting distance, as shown and described.

DESCRIPTION

FIG. 1 is a front view of a sensor for detecting distance according to an embodiment, showing our new design; FIG. 2 is a rear view thereof; FIG. 3 is a left view thereof; FIG. 4 is a right view thereof; FIG. 5 is a top view thereof; FIG. 6 is a bottom view thereof; FIG. 7 is a first perspective view thereof; FIG. 8 is a front view of a sensor for detecting distance according to another embodiment, showing our new design; FIG. 9 is a rear view thereof; FIG. 10 is a left view thereof; FIG. 11 is a right view thereof; FIG. 12 is a top view thereof; FIG. 13 is a bottom view thereof; and, FIG. 14 is a first perspective view thereof. The broken lines depict parts of the sensor for detecting distance and form no part of the claimed design.

1 Claim, 14 Drawing Sheets



(58) **Field of Classification Search**

CPC 21/043; G08B 21/0438; G08B 21/0446;
G08B 21/0453; G08B 21/0461; G08B
21/0469; G08B 21/0476; G08B 21/0484;
G08B 21/0492; G08B 21/06; G08B
21/08; G08B 21/082; G08B 21/084;
G08B 21/086; G08B 21/088; G08B
21/10; G08B 21/12; G08B 21/14; G08B
21/16; G08B 21/18; G08B 21/182; G08B
21/185; G08B 21/187; G08B 21/20;
G08B 21/22; G08B 21/24; G08B 21/245;
G08B 23/00; G08B 13/00; G08B 13/02;
G08B 13/04; G08B 13/06; G08B 13/08;
G08B 13/10; G08B 13/12; G08B 13/122;
G08B 13/124; G08B 13/126; G08B
13/028; G08B 13/14; G08B 13/1409;
G08B 13/1418; G08B 13/1427; G08B
13/1436; G08B 13/1445; G08B 13/1454;
G08B 13/1463; G08B 13/1472; G08B
13/1481; G08B 13/149; G08B 13/16;
G08B 13/1609; G08B 13/1618; G08B
13/1627; G08B 13/1636; G08B 13/1645;
G08B 13/1654; G08B 13/1663; G08B
13/1672; G08B 13/1681; G08B 13/169;
G08B 13/18; G08B 13/181; G08B
13/183; G08B 13/184; G08B 13/186;
G08B 13/187; G08B 13/189; G08B
13/1895; G08B 13/19; G08B 13/191;
G08B 13/193; G08B 13/194; G08B
13/196; G08B 13/19602; G08B 13/19604;
G08B 13/19606; G08B 13/19608; G08B
13/1961; G08B 13/19613; G08B
13/19615; G08B 13/19617; G08B
13/19619; G08B 13/19621; G08B

13/19623; G08B 13/19626; G08B
13/19628; G08B 13/1963; G08B
13/19632; G08B 13/19634; G08B
13/19636; G08B 13/19639; G08B
13/19641; G08B 13/19643; G08B
13/19645; G08B 13/19647; G08B
13/1965; G08B 13/19652; G08B
13/19654; G08B 13/19656; G08B
13/19658; G08B 13/1966; G08B
13/19663; G08B 13/19665; G08B
13/19667; G08B 13/19669; G08B
13/19671; G08B 13/19673; G08B
13/19676; G08B 13/19678; G08B
13/1968; G08B 13/19682; G08B
13/19684; G08B 13/19686; G08B
13/19689; G08B 13/19691; G08B
13/19693; G08B 13/19695; G08B
13/19697; G08B 13/20; G08B 13/22;
G08B 13/24; G08B 13/2402; G08B
13/2405; G08B 13/2408; G08B 13/2411;
G08B 13/2414; G08B 13/2417; G08B
13/242; G08B 13/2422; G08B 13/2425;
G08B 13/2428; G08B 13/2431; G08B
13/2434; G08B 13/2437; G08B 13/244;
G08B 13/2442; G08B 13/2445; G08B
13/2448; G08B 13/2451; G08B 13/2454;
G08B 13/2457; G08B 13/246; G08B
13/2462; G08B 13/2465; G08B 13/2468;
G08B 13/2471; G08B 13/2474; G08B
13/2477; G08B 13/248; G08B 13/2482;
G08B 13/2485; G08B 13/2488; G08B
13/2491; G08B 13/2494; G08B 13/2497;
G08B 13/26

See application file for complete search history.

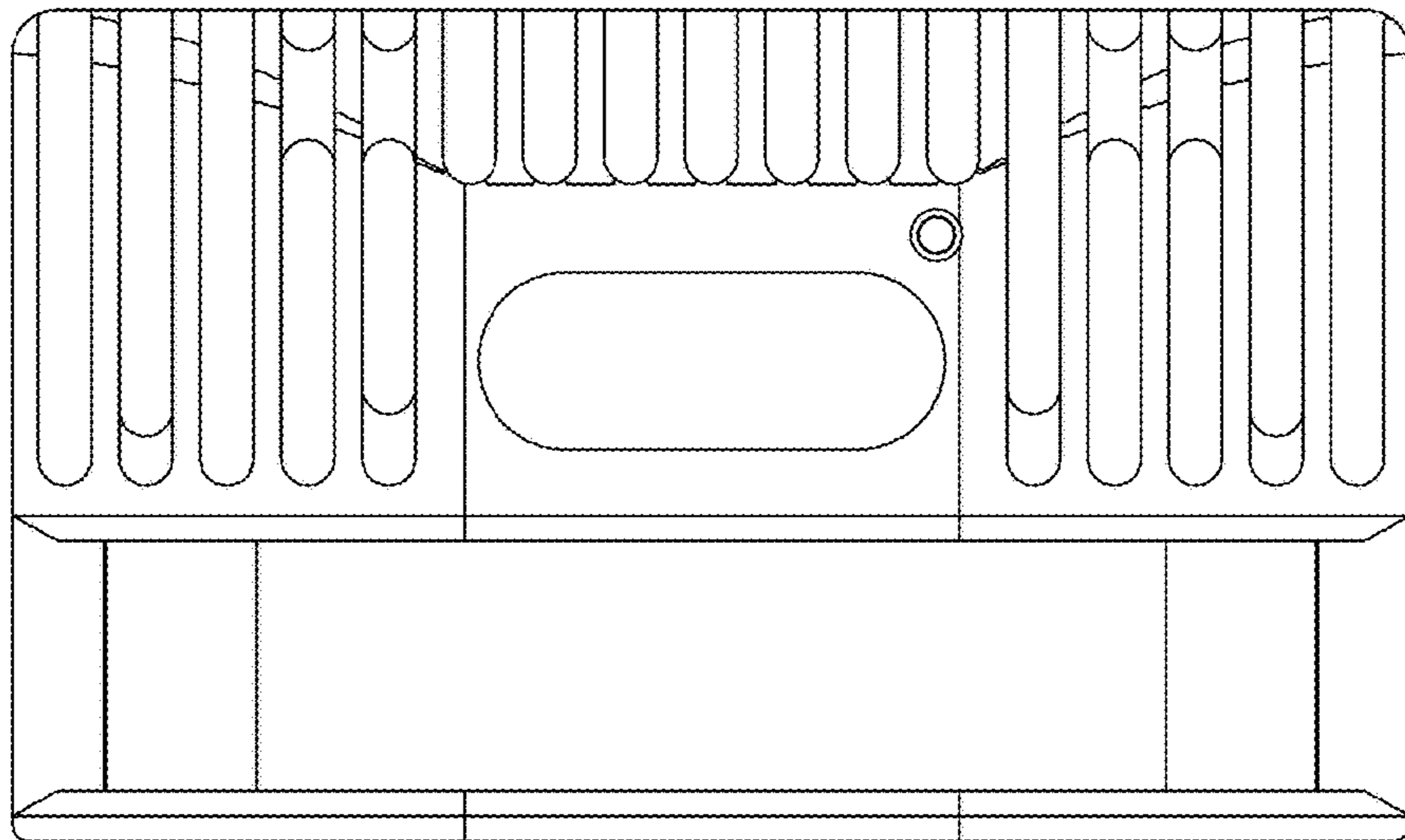


Fig. 1

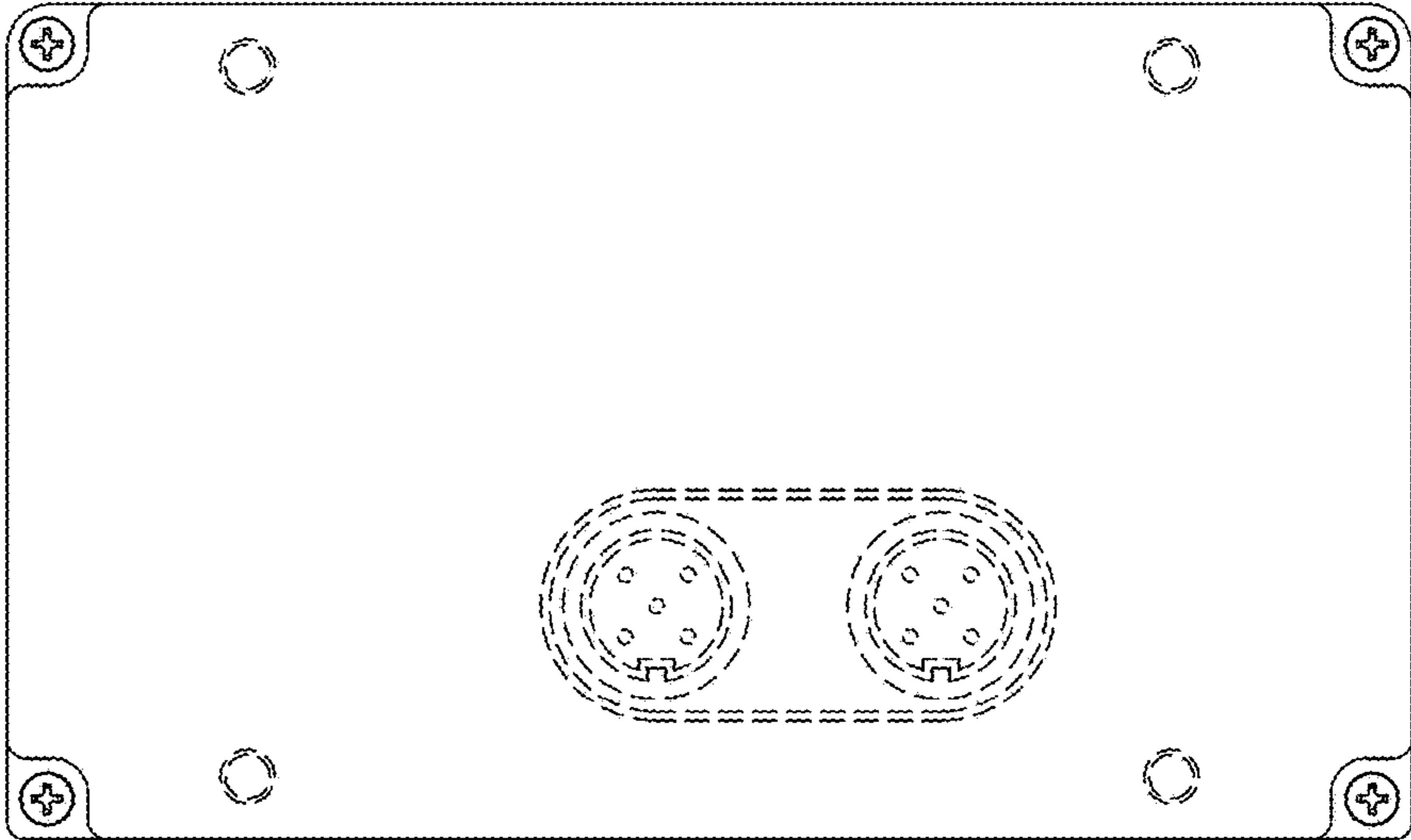


Fig. 2

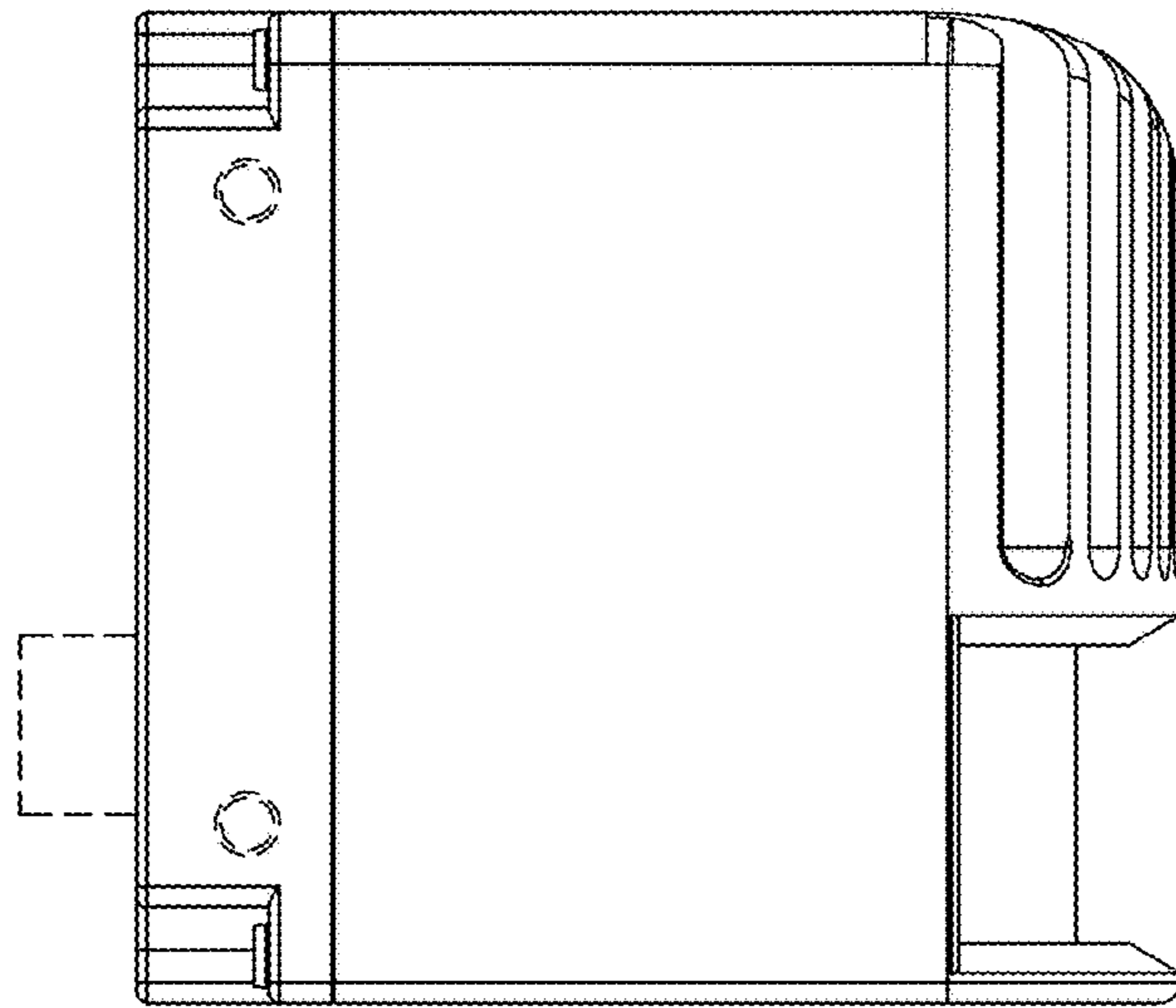


Fig. 3

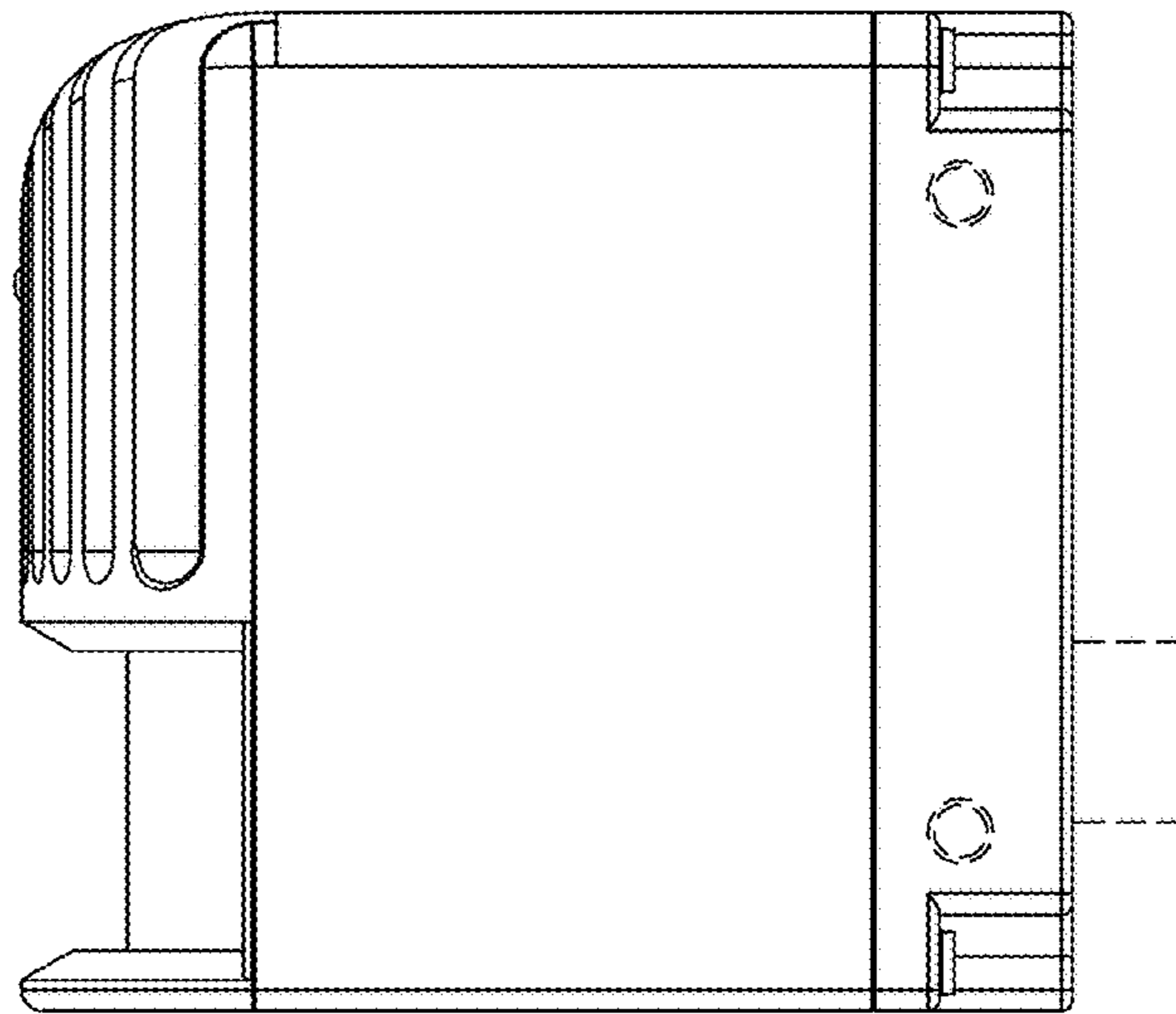


Fig. 4

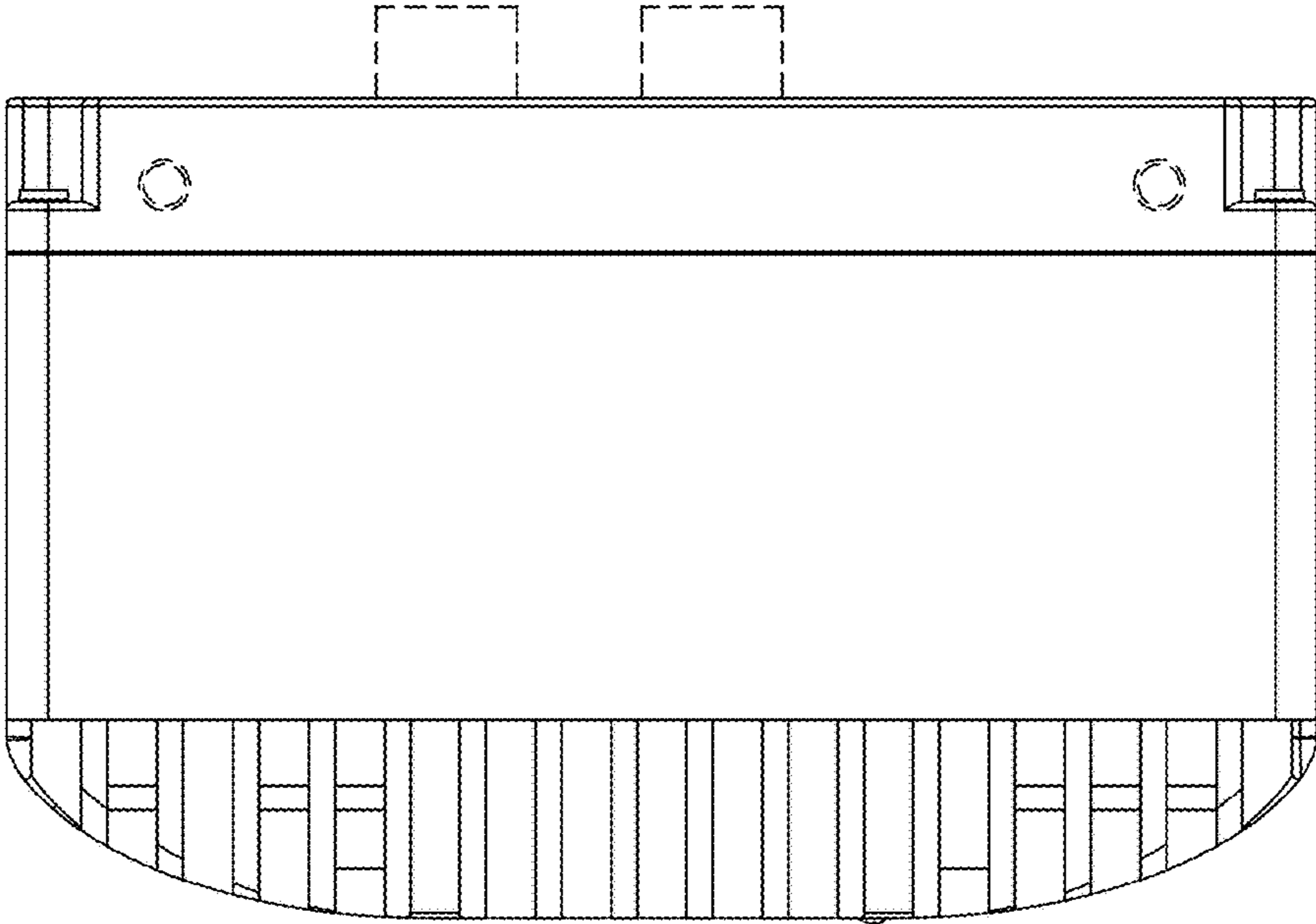


Fig. 5

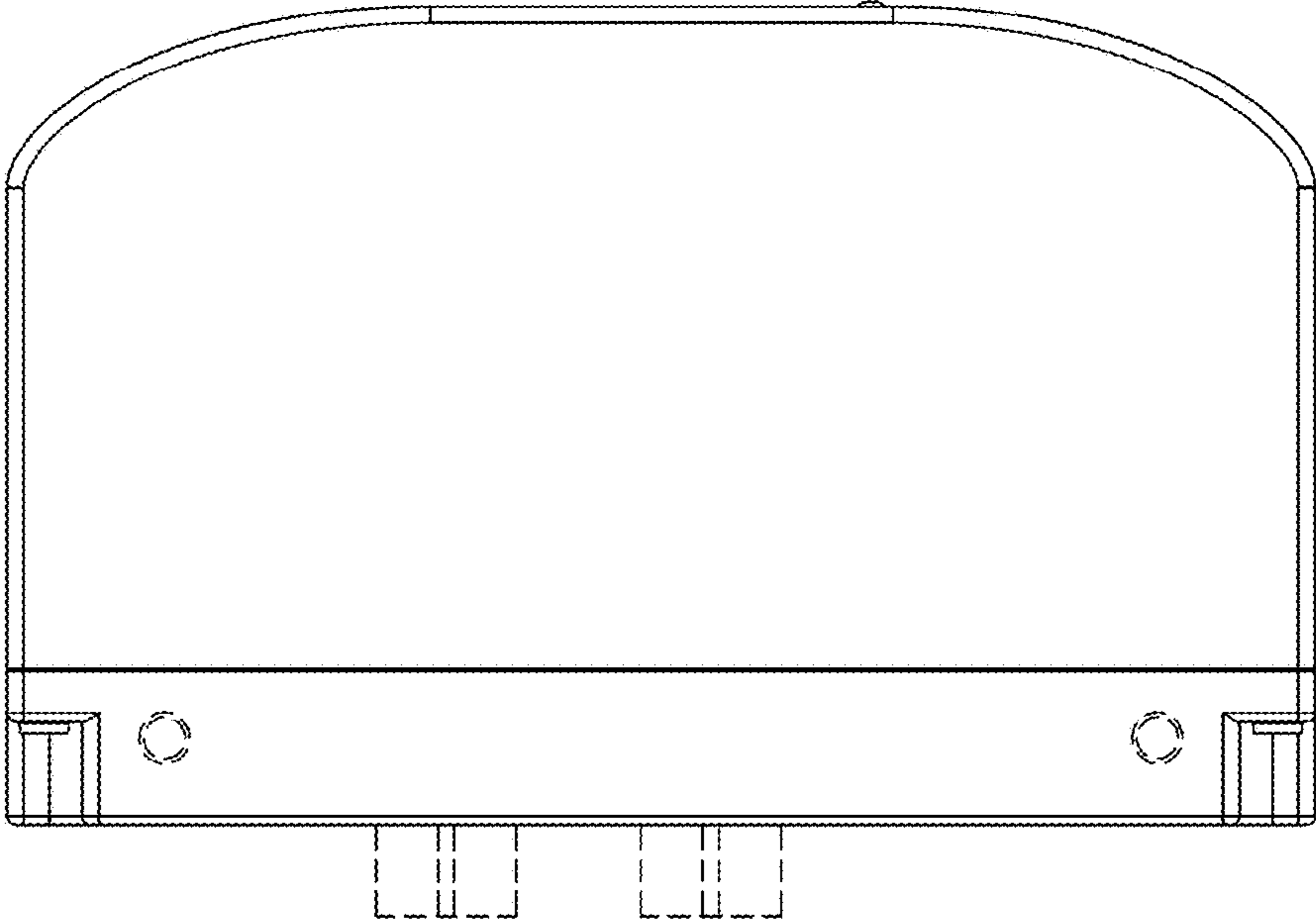


Fig. 6

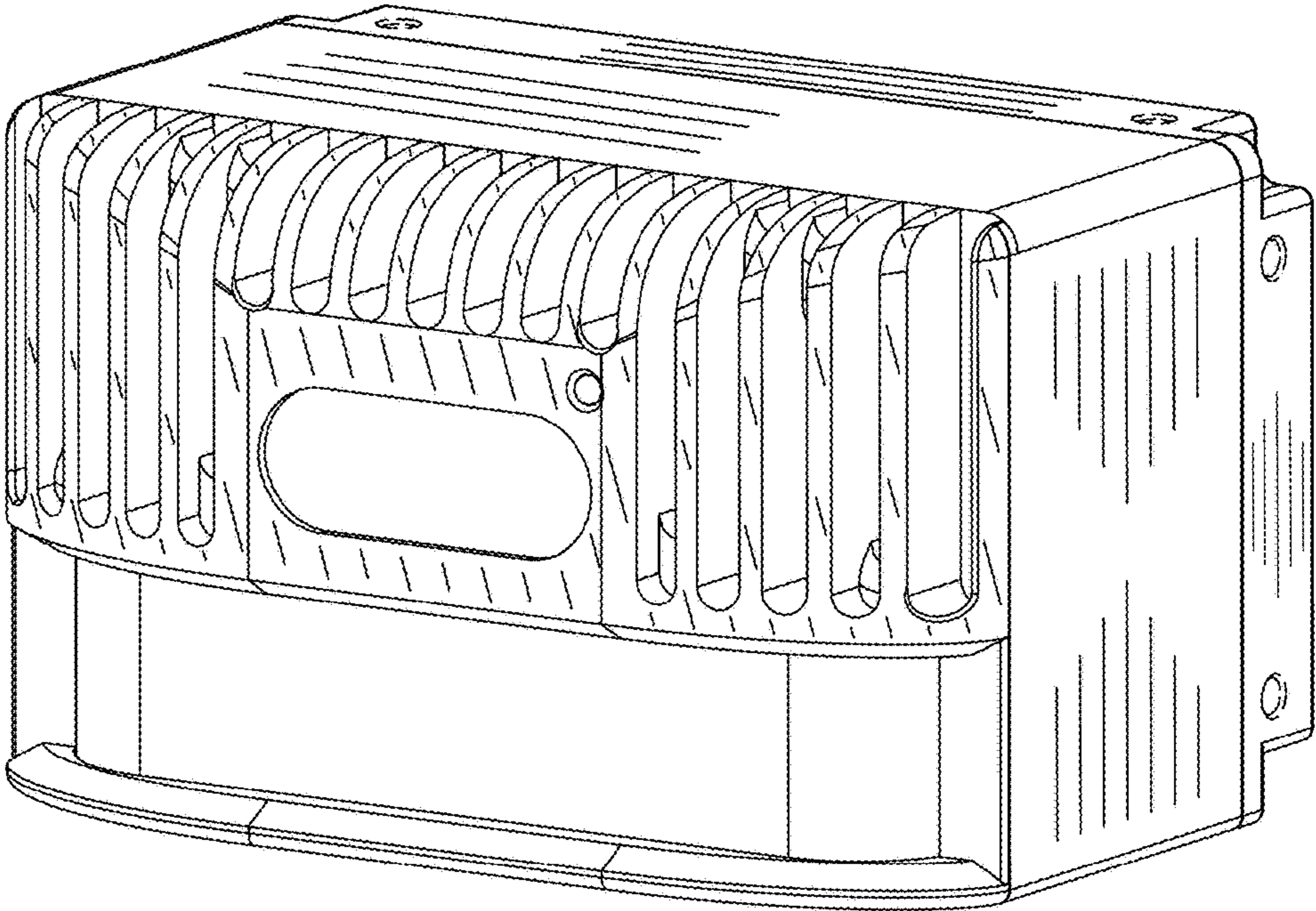


Fig. 7

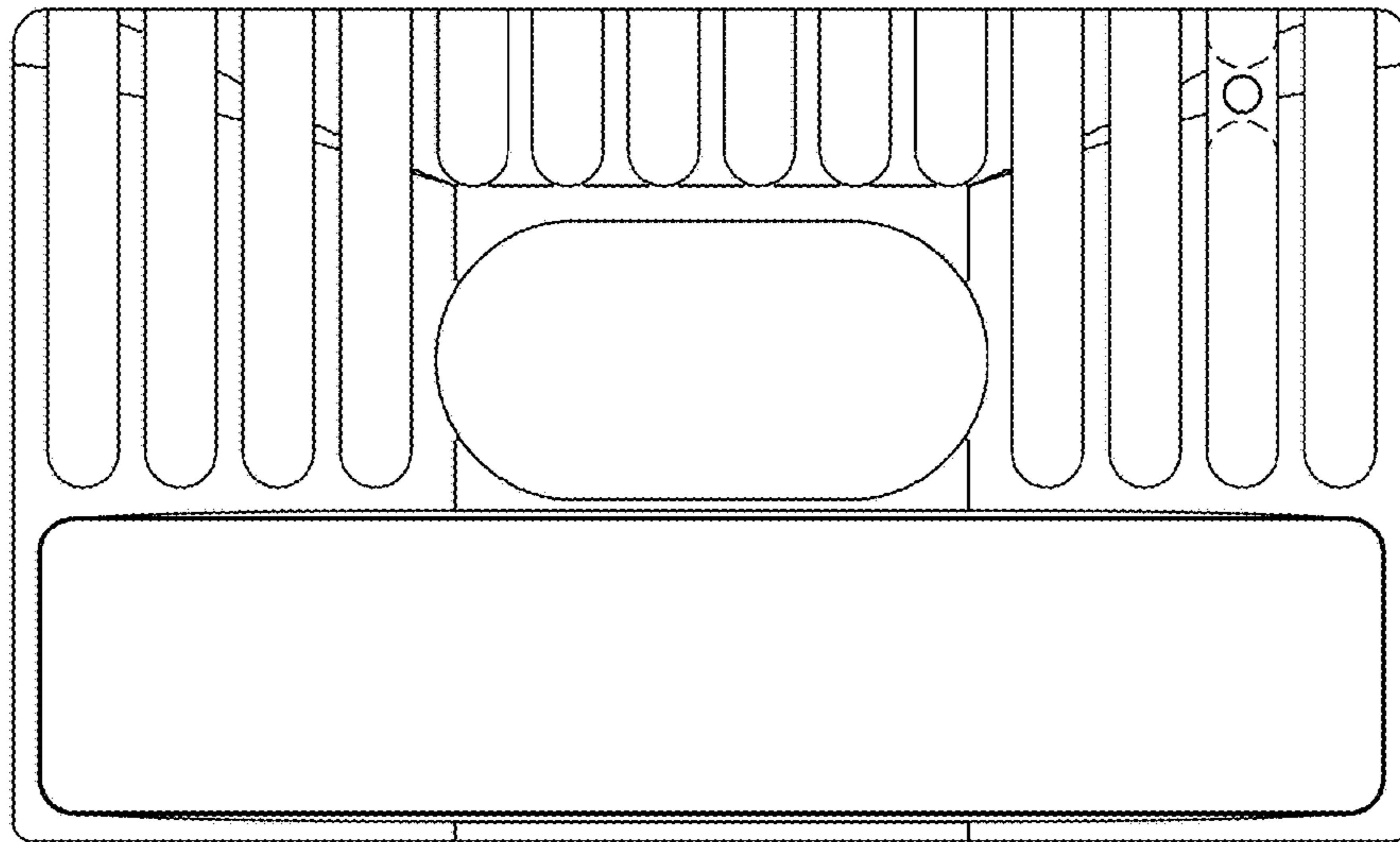


Fig. 8

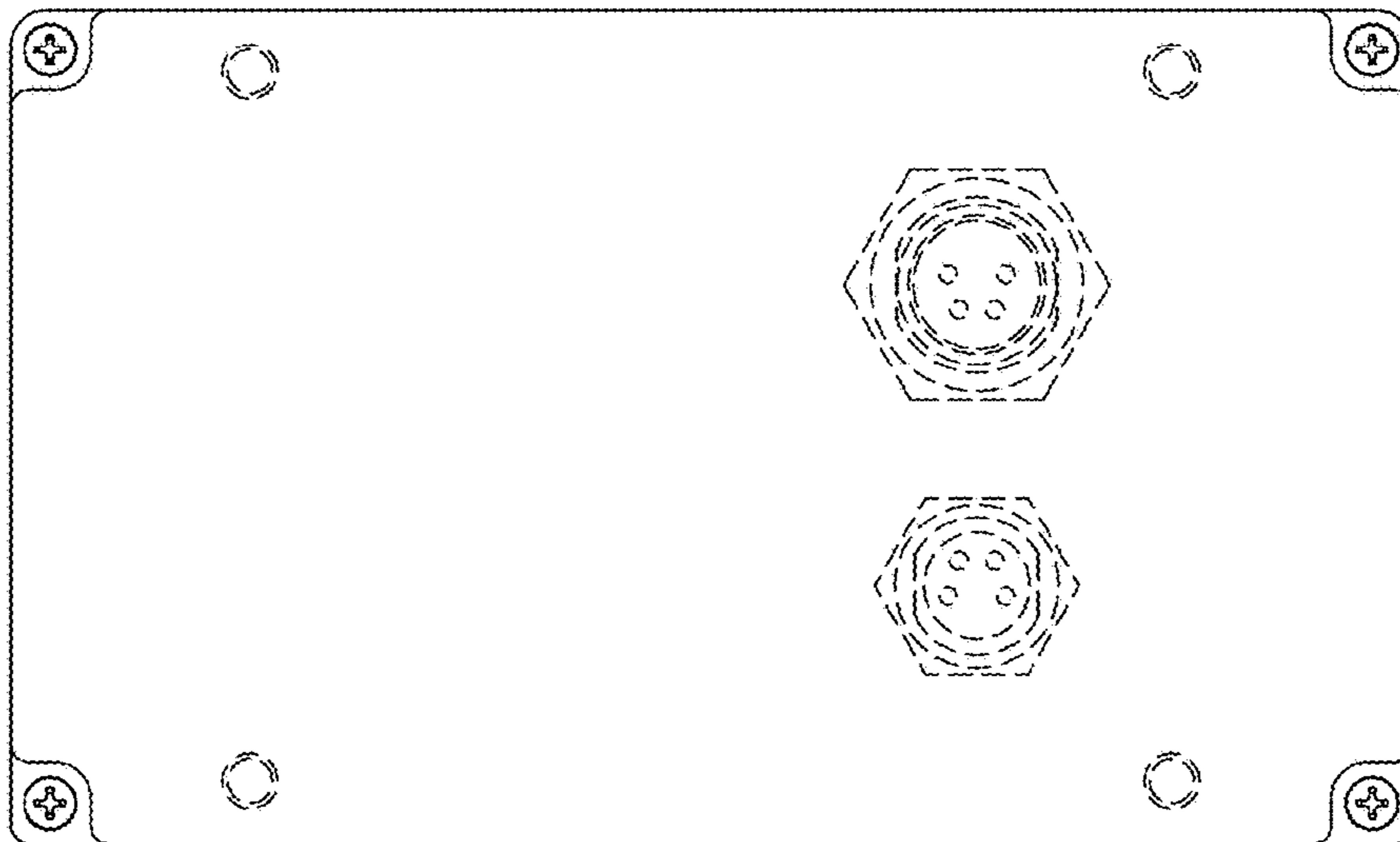


Fig. 9

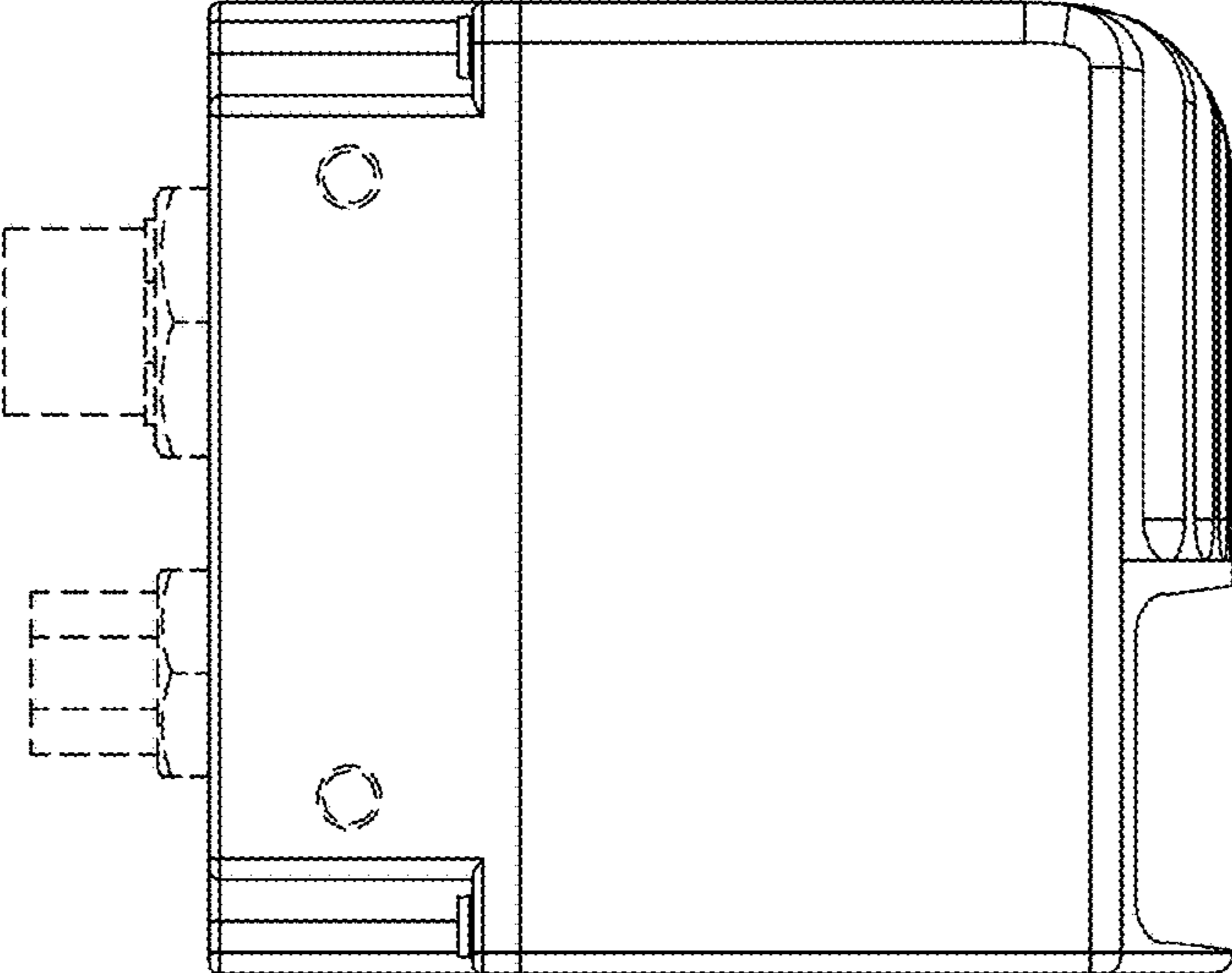


Fig. 10

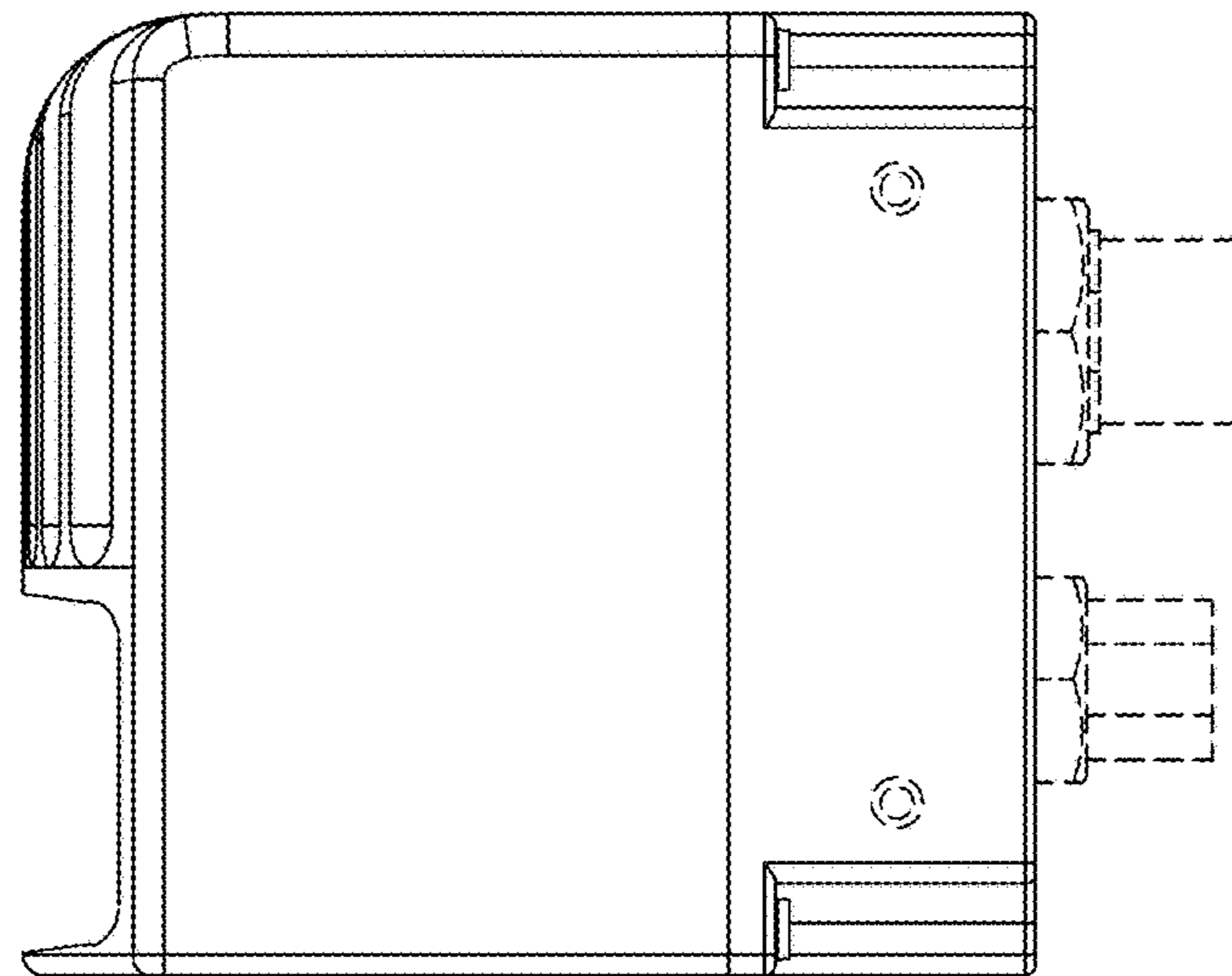


Fig. 11

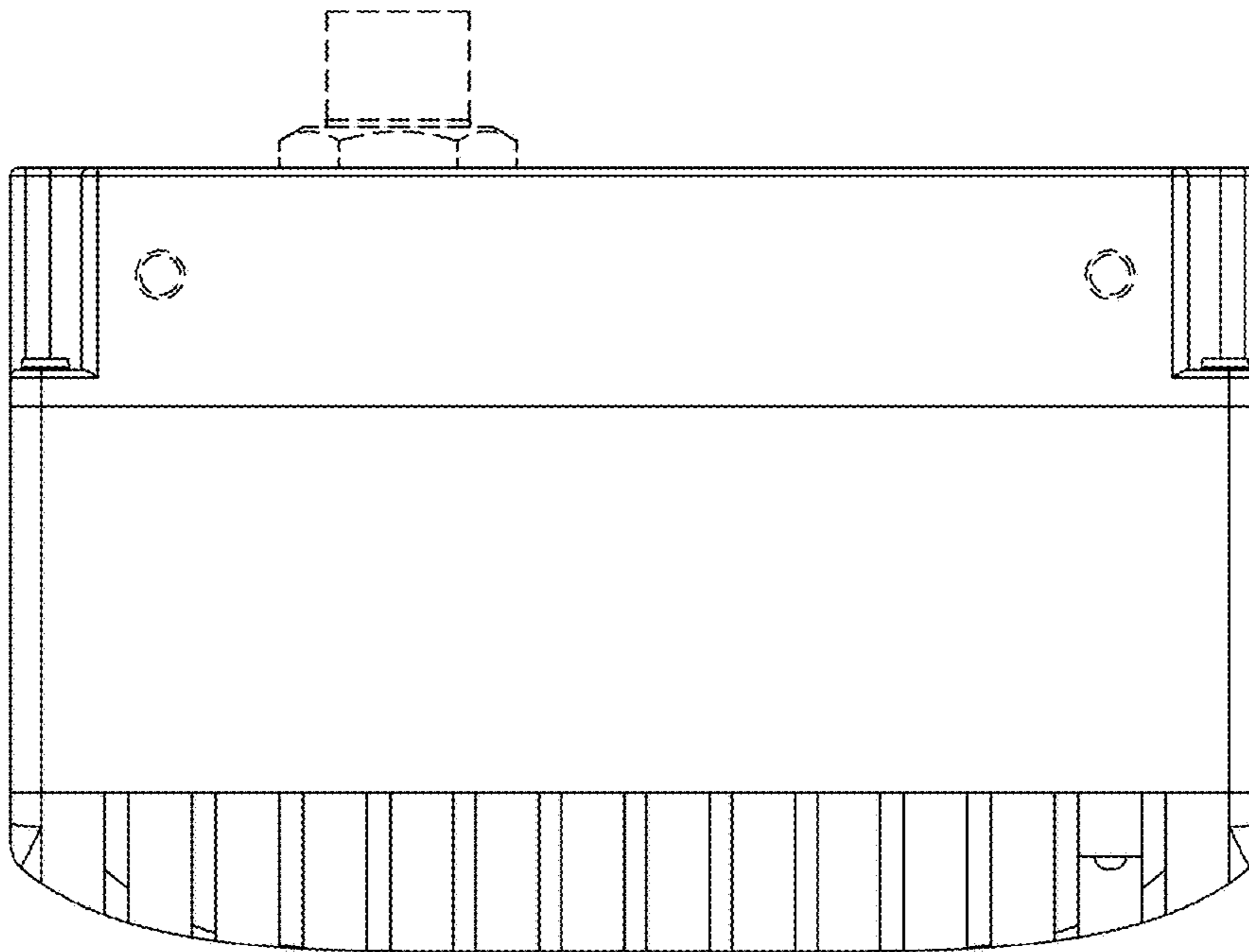


Fig. 12

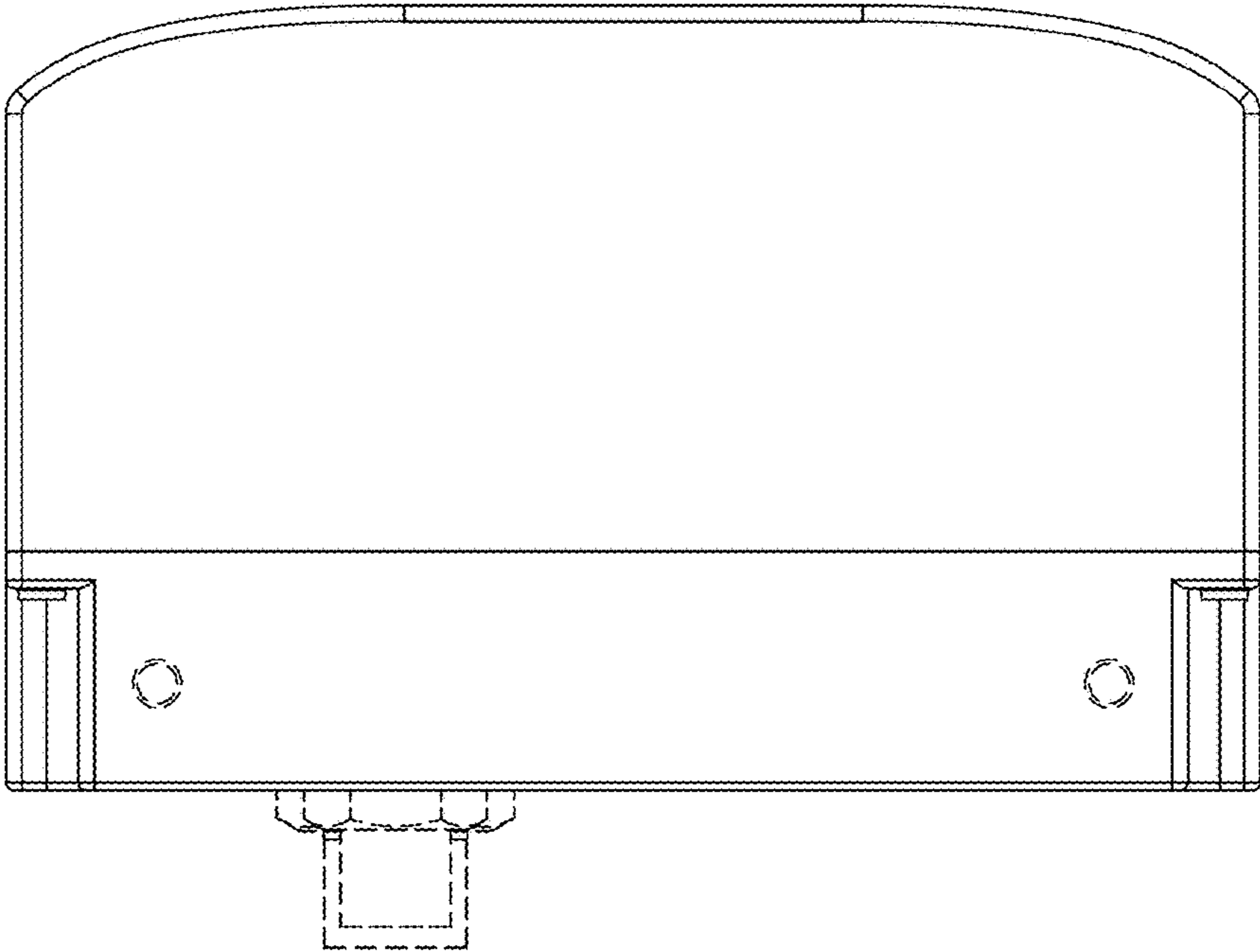


Fig. 13

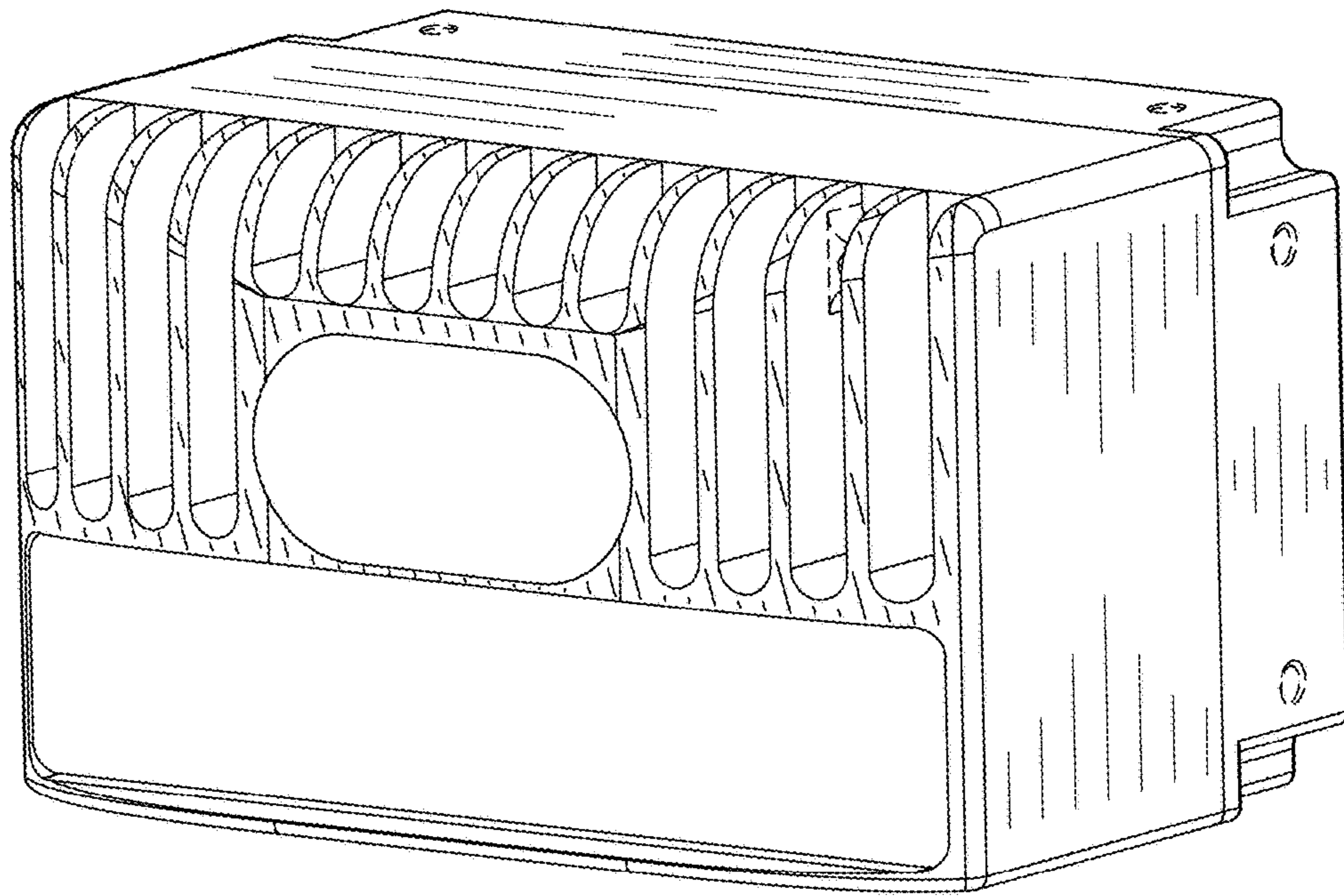


Fig. 14