



US00D862252S

(12) **United States Design Patent**
Lasserre

(10) **Patent No.:** **US D862,252 S**

(45) **Date of Patent:** **** Oct. 8, 2019**

(54) **WATCHCASE**

(71) Applicant: **HARRY WINSTON SA,**
Plan-les-Ouates (CH)

(72) Inventor: **Christophe Lasserre,** Geneva (CH)

(73) Assignee: **Harry Winston SA,** Plan-les-Ouates
(CH)

(**) Term: **15 Years**

(21) Appl. No.: **29/616,001**

(22) Filed: **Sep. 1, 2017**

(30) **Foreign Application Priority Data**

Mar. 2, 2017 (WO) DM/095 098

(51) **LOC (12) Cl.** **10-02**

(52) **U.S. Cl.**
USPC **D10/30**

(58) **Field of Classification Search**

USPC D10/30-39, 122-124, 126
CPC G04B 19/06; G04B 19/10; G04B 19/103;
G04B 19/12; G04B 19/24; G04B
45/0069; G04B 45/0076; G04F 7/08;
G04F 7/0842; G04F 7/0871

See application file for complete search history.

(56) **References Cited**

U.S. PATENT DOCUMENTS

D726,556 S * 4/2015 Lasserre D10/39
D726,557 S * 4/2015 Lasserre D10/39

D733,584 S * 7/2015 Kamilindi D10/39
D772,729 S * 11/2016 Perret D10/38
D785,468 S * 5/2017 White D10/30
D793,871 S * 8/2017 Lasserre D10/30
D793,872 S * 8/2017 Lasserre D10/30
D793,877 S * 8/2017 Lasserre D10/38
D793,878 S * 8/2017 Blootacker D10/38
D795,706 S * 8/2017 Lasserre D10/30
D800,580 S * 10/2017 Lasserre D10/30
D817,189 S * 5/2018 Emmenegger D10/30
D821,892 S * 7/2018 Parmigiani D10/30

* cited by examiner

Primary Examiner — Sandra S Snapp

Assistant Examiner — Katherine Glennon

(74) *Attorney, Agent, or Firm* — Blank Rome LLP

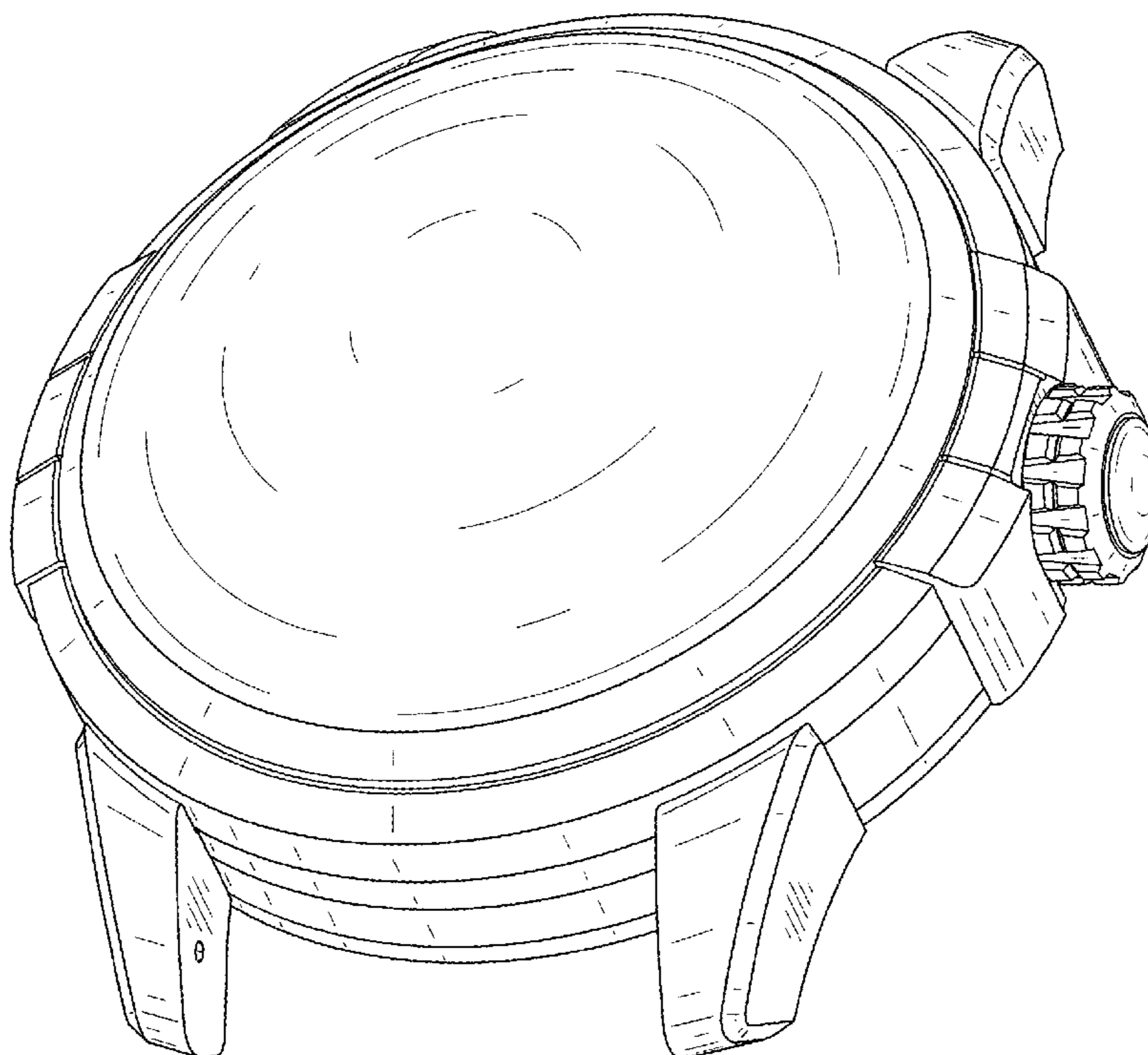
(57) **CLAIM**

The ornamental design for a watchcase, as shown.

DESCRIPTION

FIG. 1 is a front right perspective view of a watchcase showing my new design;
FIG. 2 is a rear left perspective view thereof;
FIG. 3 is a front view thereof;
FIG. 4 is a rear view thereof;
FIG. 5 is a left side view thereof;
FIG. 6 is a right side view thereof;
FIG. 7 is a bottom view thereof; and,
FIG. 8 is a top view thereof.

1 Claim, 6 Drawing Sheets



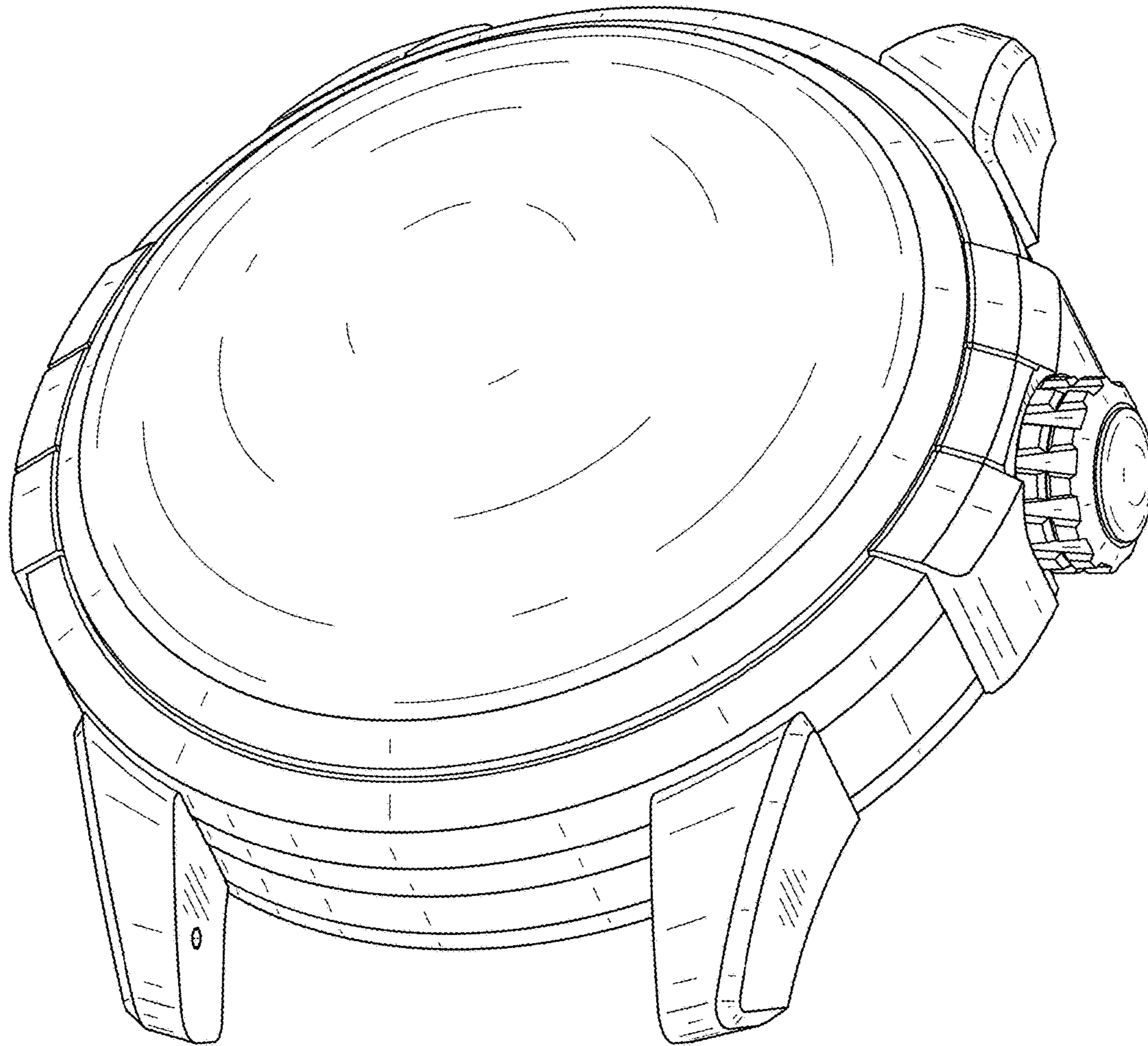


FIG. 1

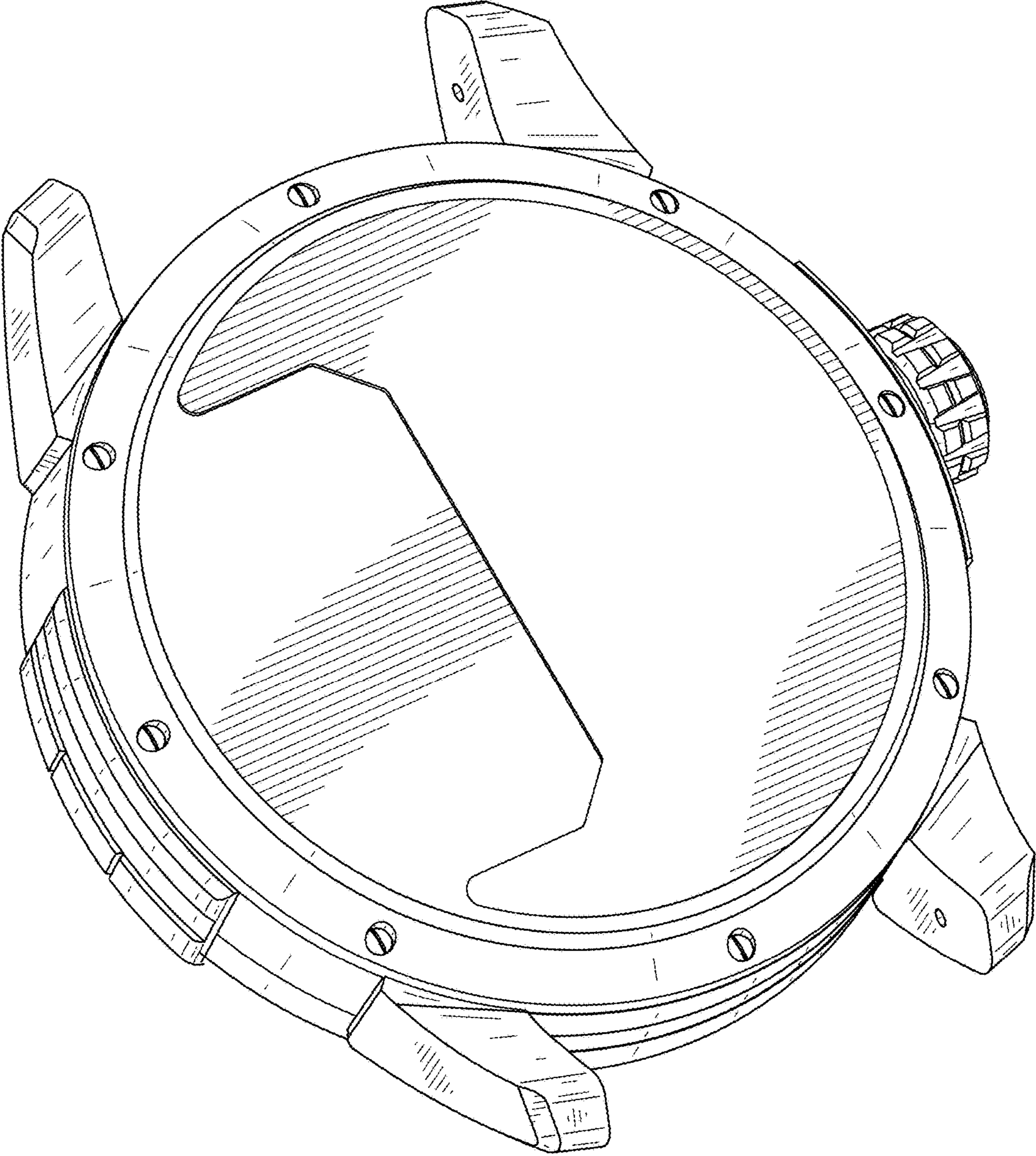


FIG. 2

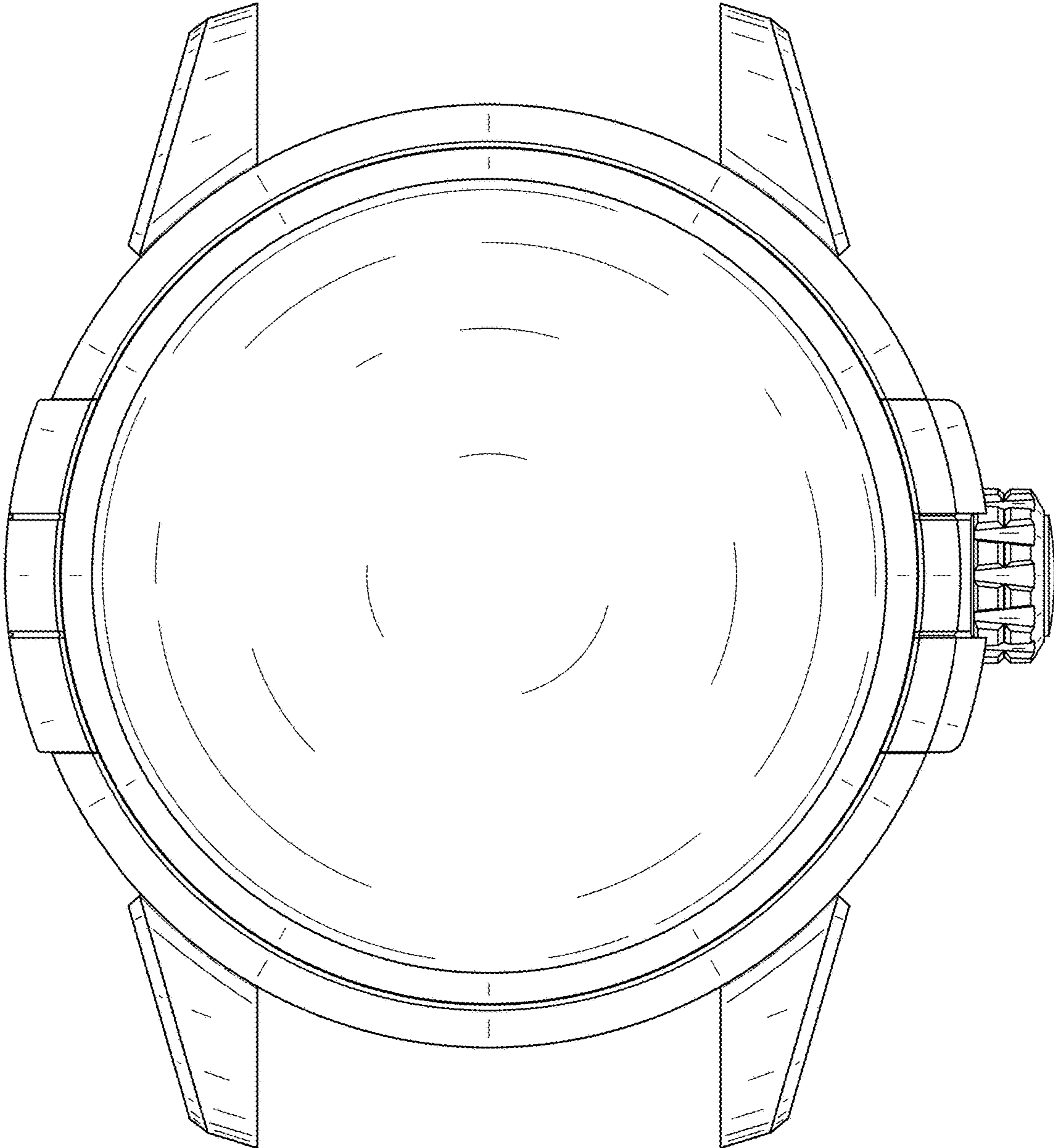


FIG. 3

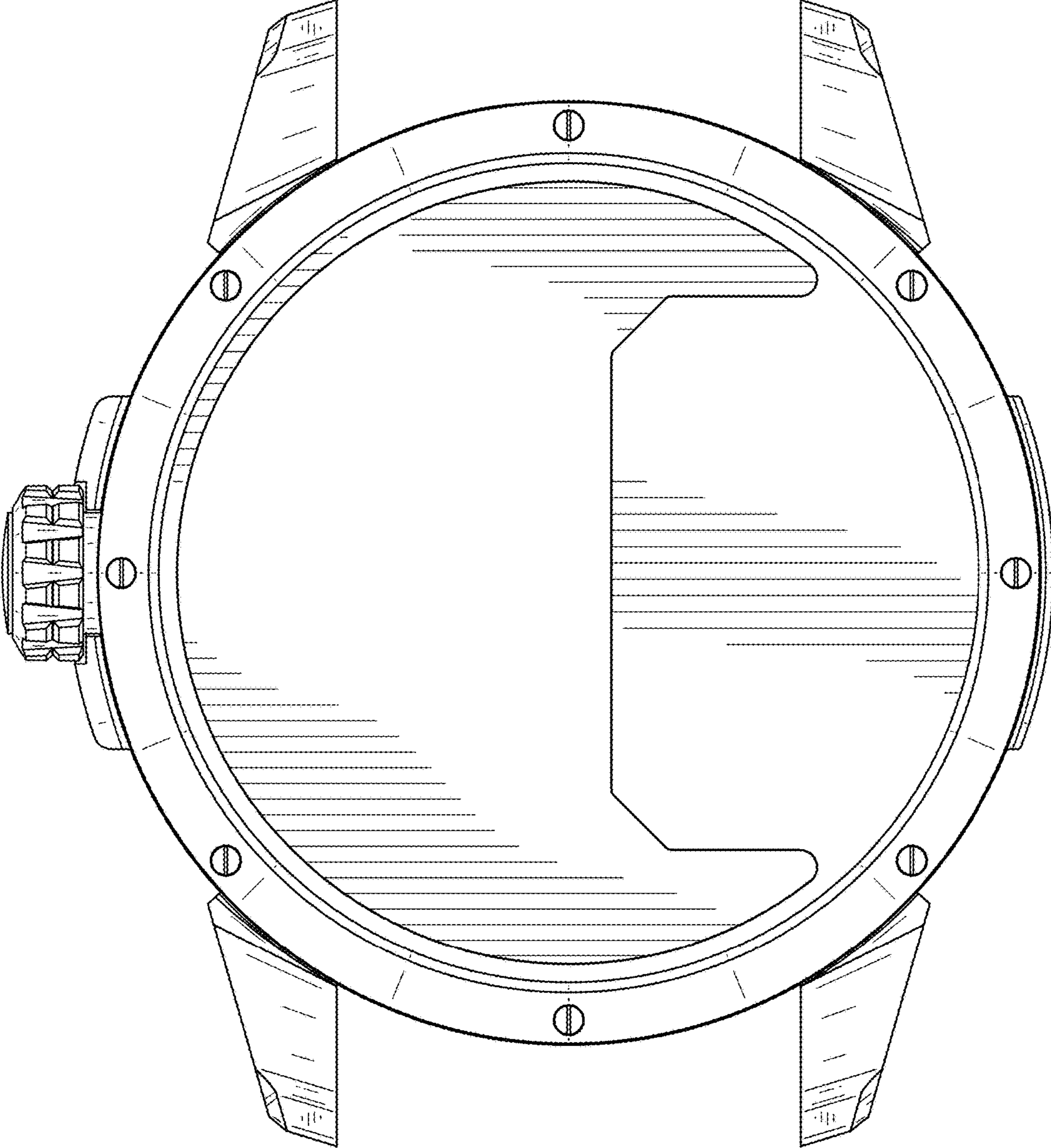


FIG. 4

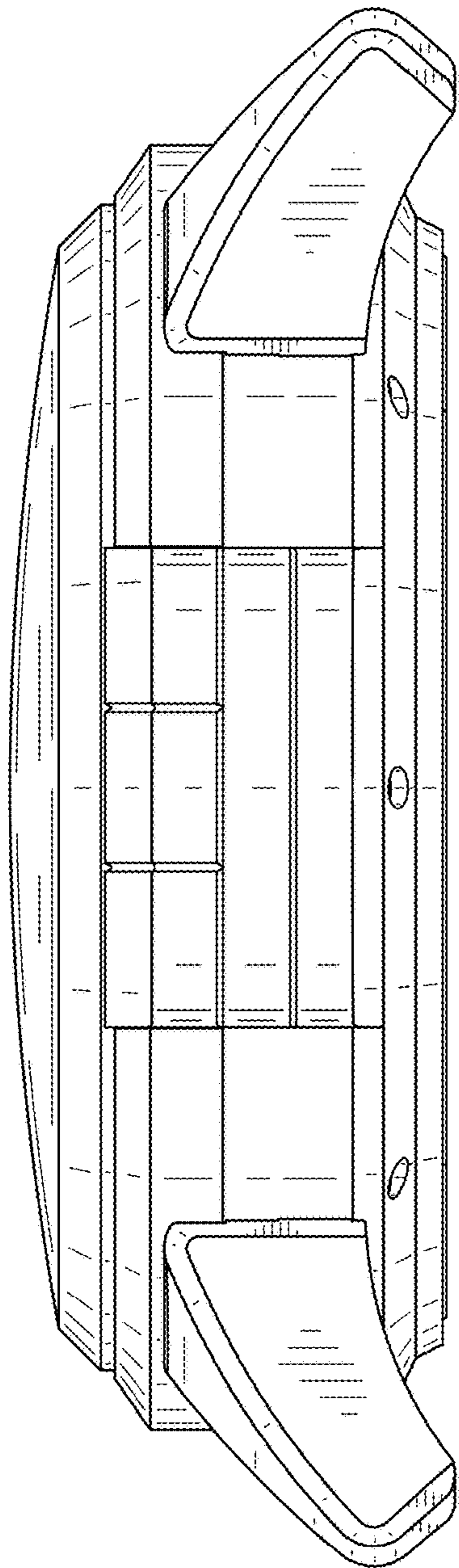


FIG. 5

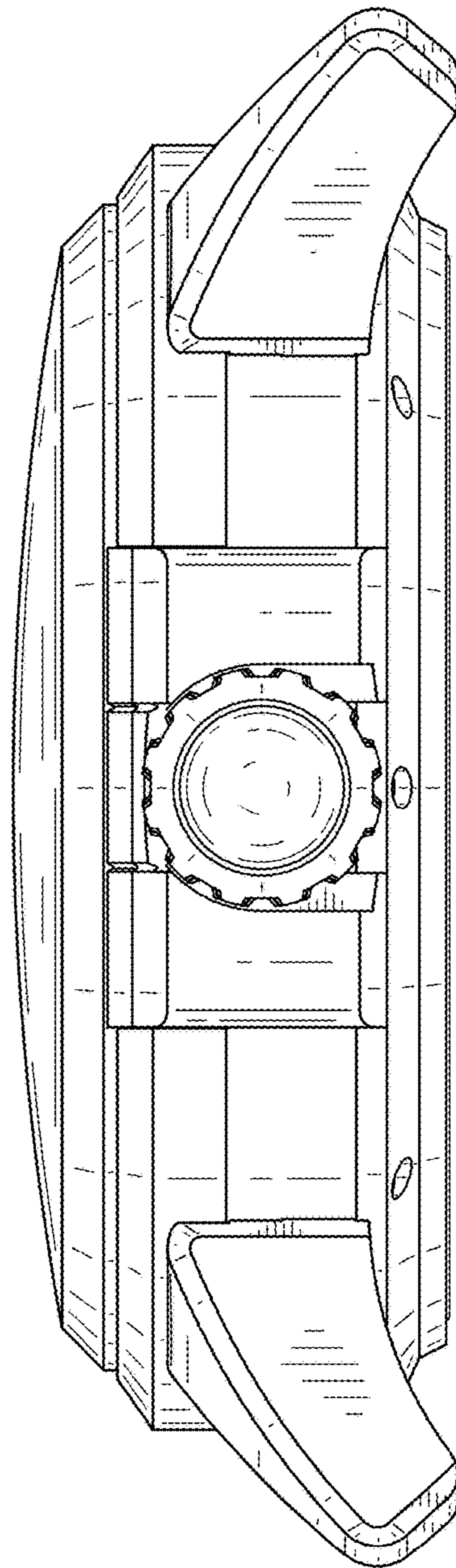


FIG. 6

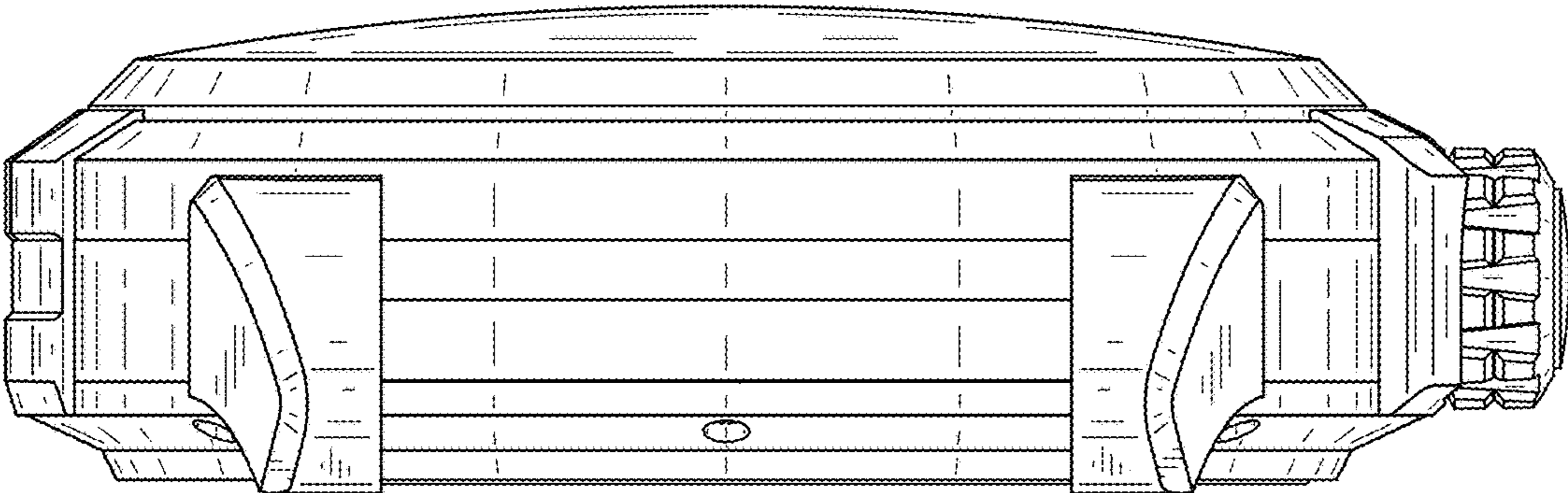


FIG. 7

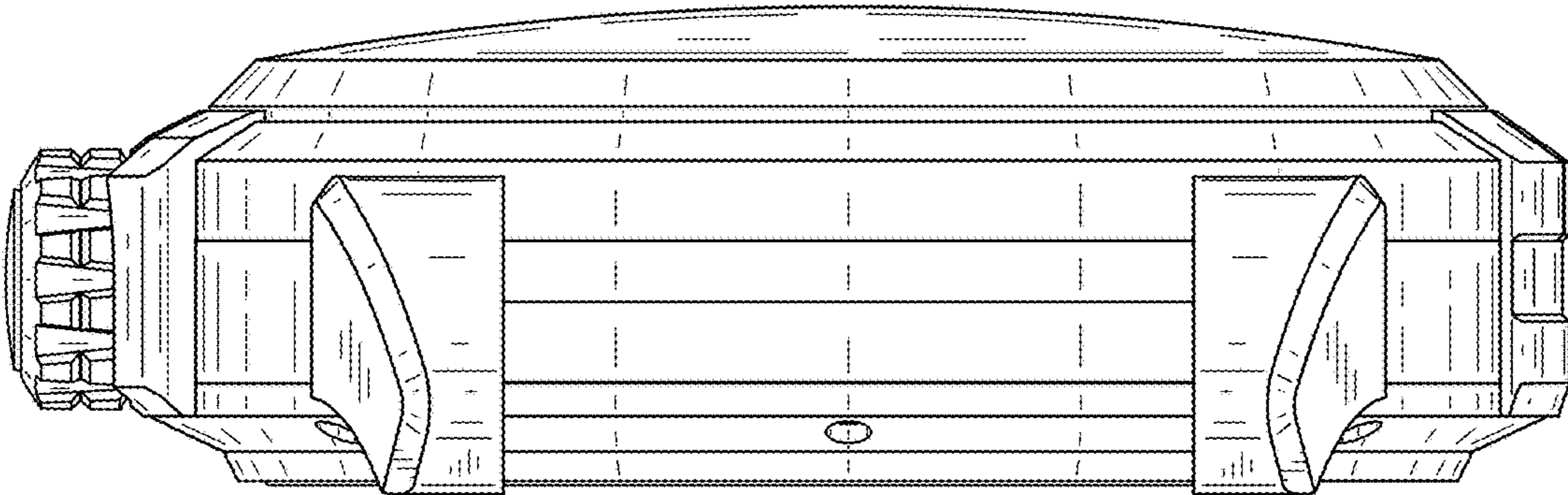


FIG. 8