



US00D862250S

(12) **United States Design Patent** (10) **Patent No.:** **US D862,250 S**
Xie (45) **Date of Patent:** **** Oct. 8, 2019**

(54) **CLOCK**

(71) Applicant: **Shenzhen Chufan E-Commerce Co., Ltd.**, Shenzhen (CN)

(72) Inventor: **Qiuping Xie**, Shenzhen (CN)

(73) Assignee: **Shenzhen Chufan E-Commerce Co., Ltd.**, Shenzhen (CN)

(**) Term: **15 Years**

(21) Appl. No.: **29/695,116**

(22) Filed: **Jun. 17, 2019**

(51) **LOC (12) Cl.** **10-01**

(52) **U.S. Cl.**
USPC **D10/24**

(58) **Field of Classification Search**
USPC D10/1-29, 40, 41, 128-130; D14/170,
D14/171, 371, 374, 375, 376; D6/300,
D6/308, 310

CPC G04C 17/00; G04C 3/00; G06F 1/1601
See application file for complete search history.

(56) **References Cited**

U.S. PATENT DOCUMENTS

D255,745 S *	7/1980	Pedersen	40/746
D545,694 S *	7/2007	Bhavnani	D10/15
D600,456 S *	9/2009	Son	D14/371
D601,143 S *	9/2009	Oikawa	D14/336
D610,355 S *	2/2010	Chigira	D14/374
D613,510 S *	4/2010	Tzeng	D14/371
D613,951 S *	4/2010	Tang	D14/371
D614,871 S *	5/2010	Tang	D14/371
D615,306 S *	5/2010	Ji	D14/371
D622,513 S *	8/2010	Tang	D14/371
D622,970 S *	9/2010	Tang	D14/371
D625,928 S *	10/2010	Lee	D6/300
D625,929 S *	10/2010	Mitchell	D14/371
D626,341 S *	11/2010	Tang	D14/371
D629,216 S *	12/2010	Stoddard	D6/308
D631,263 S *	1/2011	Tang	D14/371

D634,131 S *	3/2011	Utsunomiya	D6/308
D637,822 S *	5/2011	Utsunomiya	D6/308
D642,385 S *	8/2011	Lee	D6/308
D805,309 S *	12/2017	Moyer	D6/308
D818,723 S *	5/2018	Moyer	D6/308
D834,428 S *	11/2018	Jiang	D10/3
D834,429 S *	11/2018	Jiang	D10/3

(Continued)

OTHER PUBLICATIONS

www.amazon.com/BALDR-Thermometer-Calendar-Operated-Temperature/dp/B07H1C8R15/ref=sr_1_4?crd=330U027YLCXAQ&keywords=baldr+digital+clock&qid=1565637885&s=gateway&sprefix=Baldr+digit%2Caps%2C134&sr=8-4 (Nov. 10, 2018).*

(Continued)

Primary Examiner — Sandra S Snapp

(57) **CLAIM**

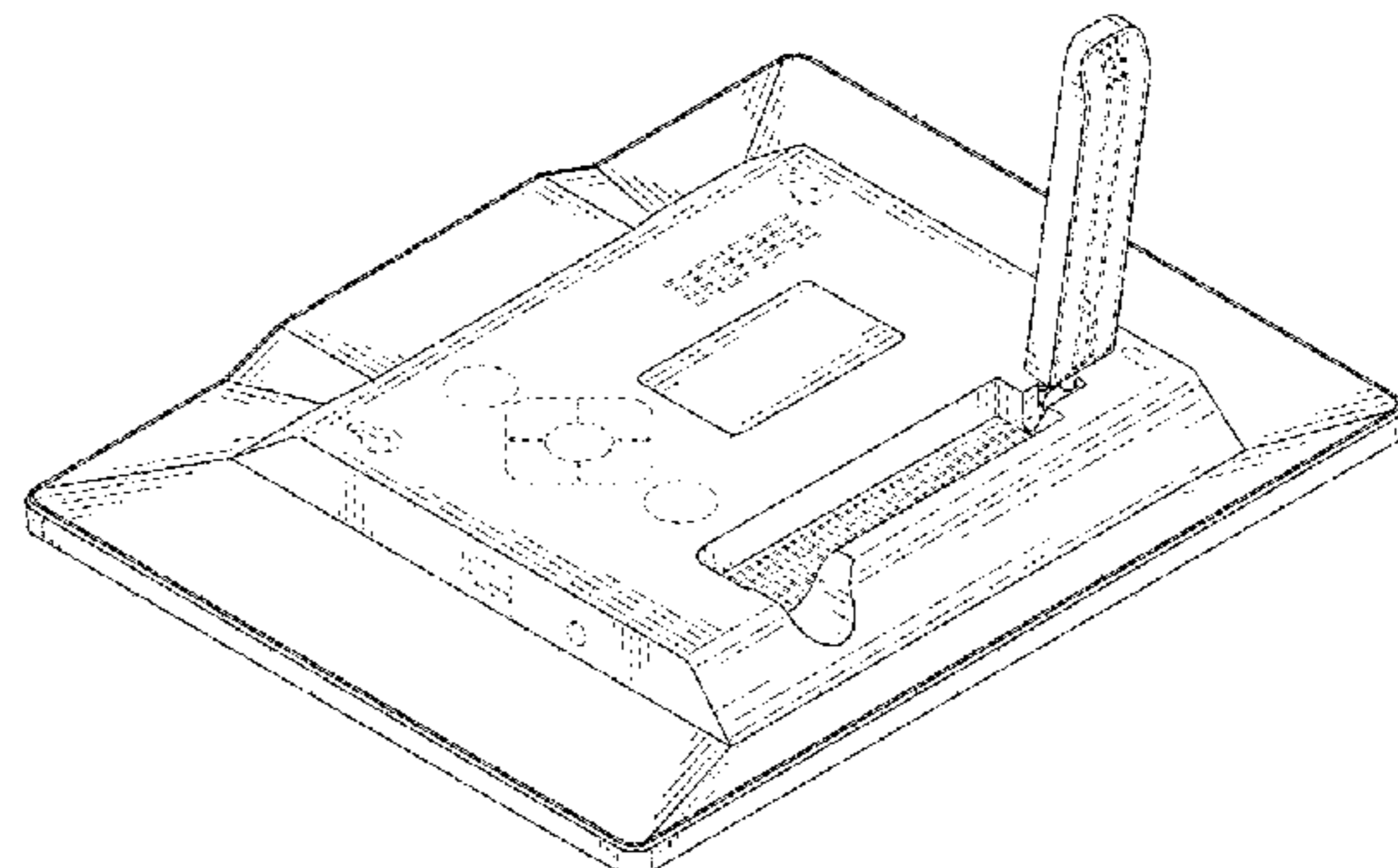
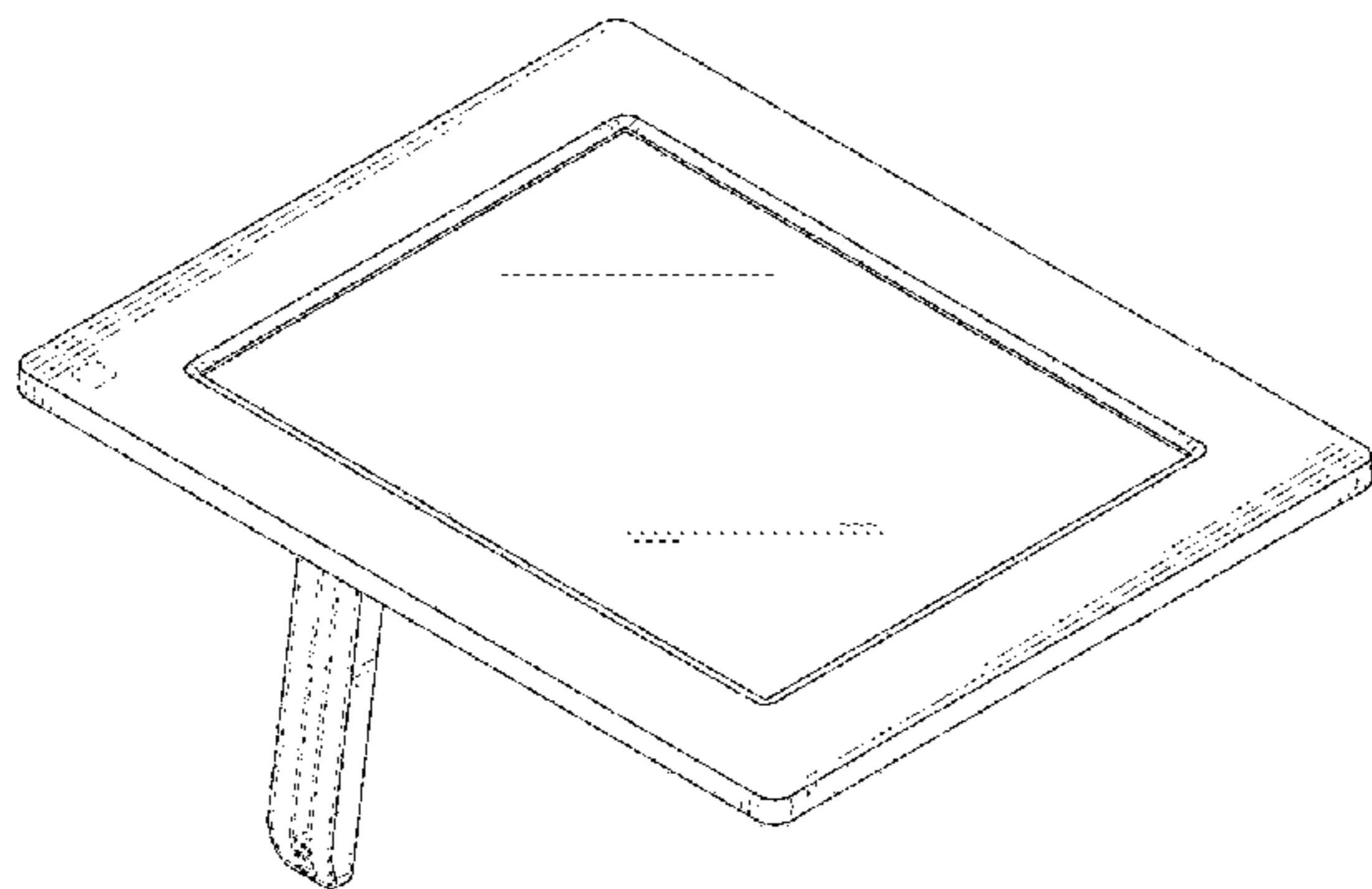
The ornamental design for a clock, as shown and described.

DESCRIPTION

FIG. 1 is a perspective view of a clock showing my new design;
FIG. 2 is another perspective view thereof;
FIG. 3 is a front elevational view thereof;
FIG. 4 is a rear elevational view thereof;
FIG. 5 is a left side elevational view thereof;
FIG. 6 is a right side elevational view thereof;
FIG. 7 is a top plan view thereof;
FIG. 8 is a bottom plan view thereof;
FIG. 9 is a perspective view of the clock in a second state;
and,
FIG. 10 is an enlarged view of the encircled portion 10 of FIG. 4.

The broken lines in the drawings are for the purpose of illustrating portions of the clock that form no part of the claimed design.

1 Claim, 10 Drawing Sheets



(56)

References Cited

U.S. PATENT DOCUMENTS

2005/0126061 A1* 6/2005 Lin H04N 1/00347
40/735
2009/0096743 A1* 4/2009 DalPorto H04N 1/00127
345/104
2009/0183412 A1* 7/2009 Cheng F16C 11/0604
40/725
2012/0057295 A1* 3/2012 Simpson G06F 1/1632
361/679.44

OTHER PUBLICATIONS

www.amazon.com/Digital-Clock-Large-Display-Seniors/dp/B07PJGLRZV/ref=sr_1_26?crd=1MEM5YTXFG2RC&keywords=digital+clock+large+display&qid=1565638391&s=gateway&sprefix=Digital+Clock+Large%2Caps%2C146&sr=8-26 (Mar. 10, 2019).*

“American Lifetime [Newest Version] Day Clock—Extra Large Impaired Vision Digital Clock with Battery Backup & 5 Alarm Options—White”, Retrieved Jun. 14, 2019]. Retrieved from Internet, <https://www.amazon.com/American-Lifetime-Newest-Version-Clock/dp/13019G79V1Q/>.

“SVINZ 3 Alarms Dementia Clock, 2 Auto-Dim Options. Large Display Digital Calendar Day Clock for Vision impaired, Elderly, Memory Loss, Black. SDC008W”, Retrieved May 14, 2019]. Retrieved from Internet, <https://www.amazon.com/SVINZ-Dementia-Auto-Dim-Calendar-SDC008W/dp/B01MZ45WUP/>.

* cited by examiner

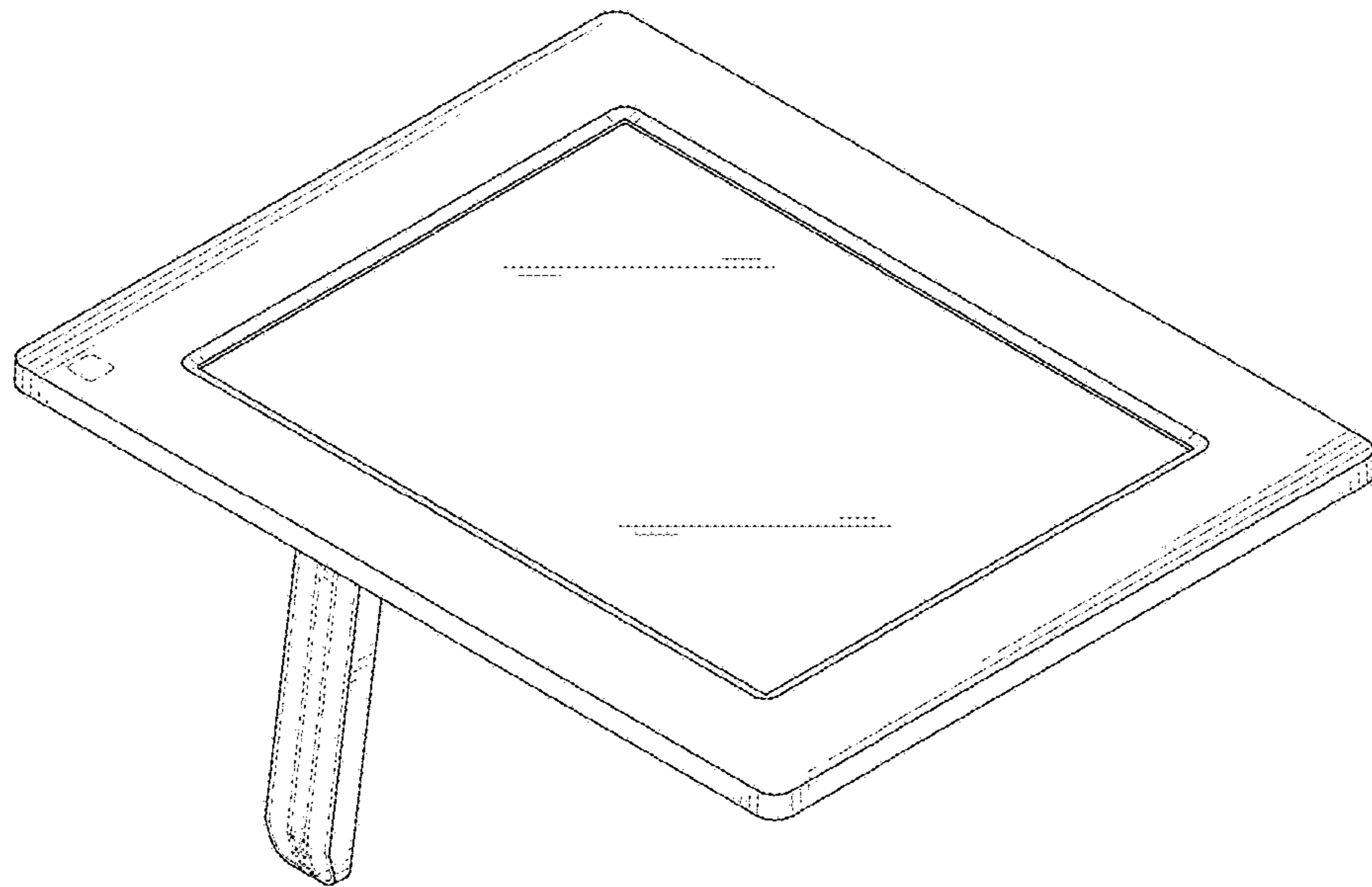


FIG. 1

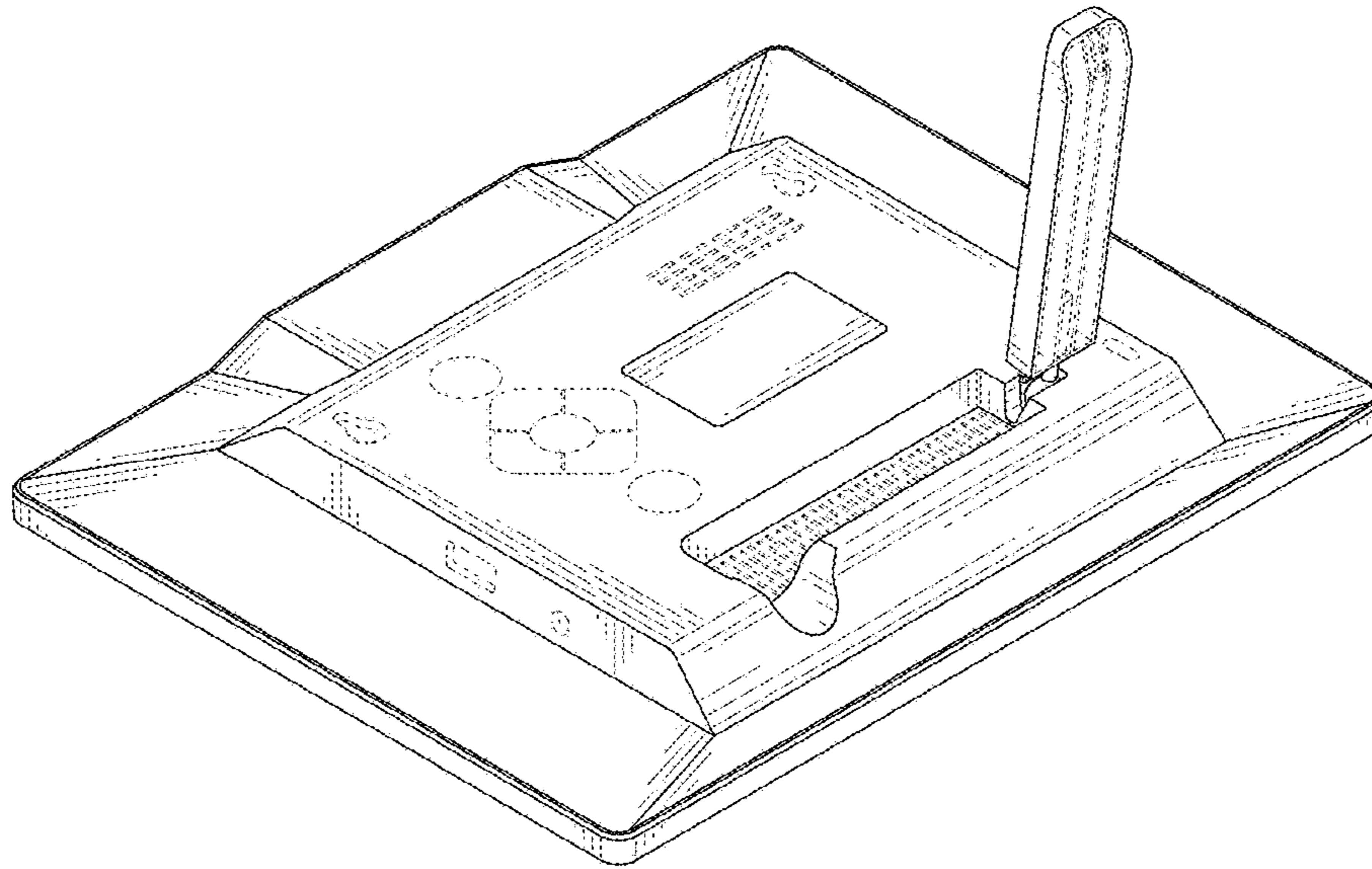


FIG. 2

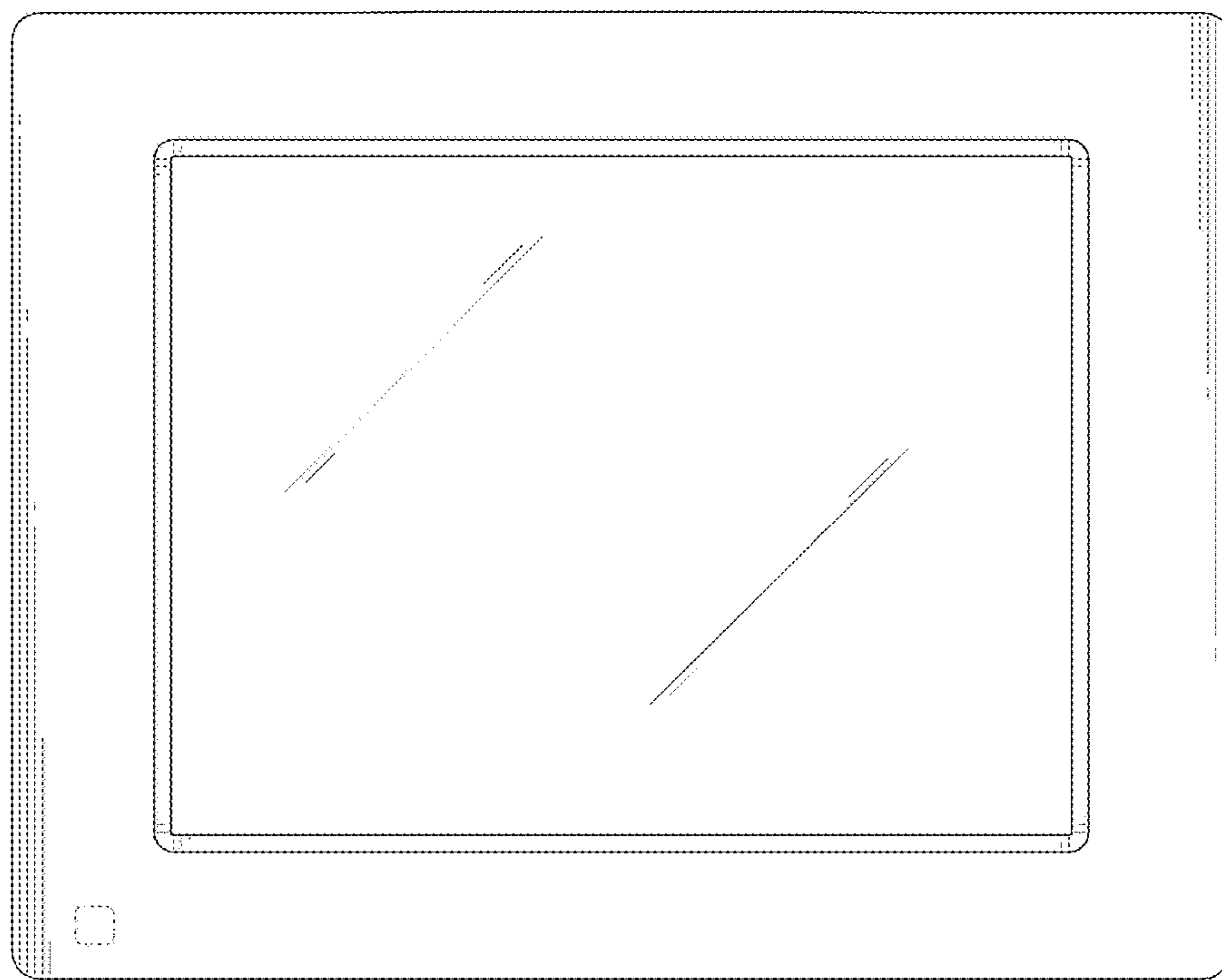


FIG. 3

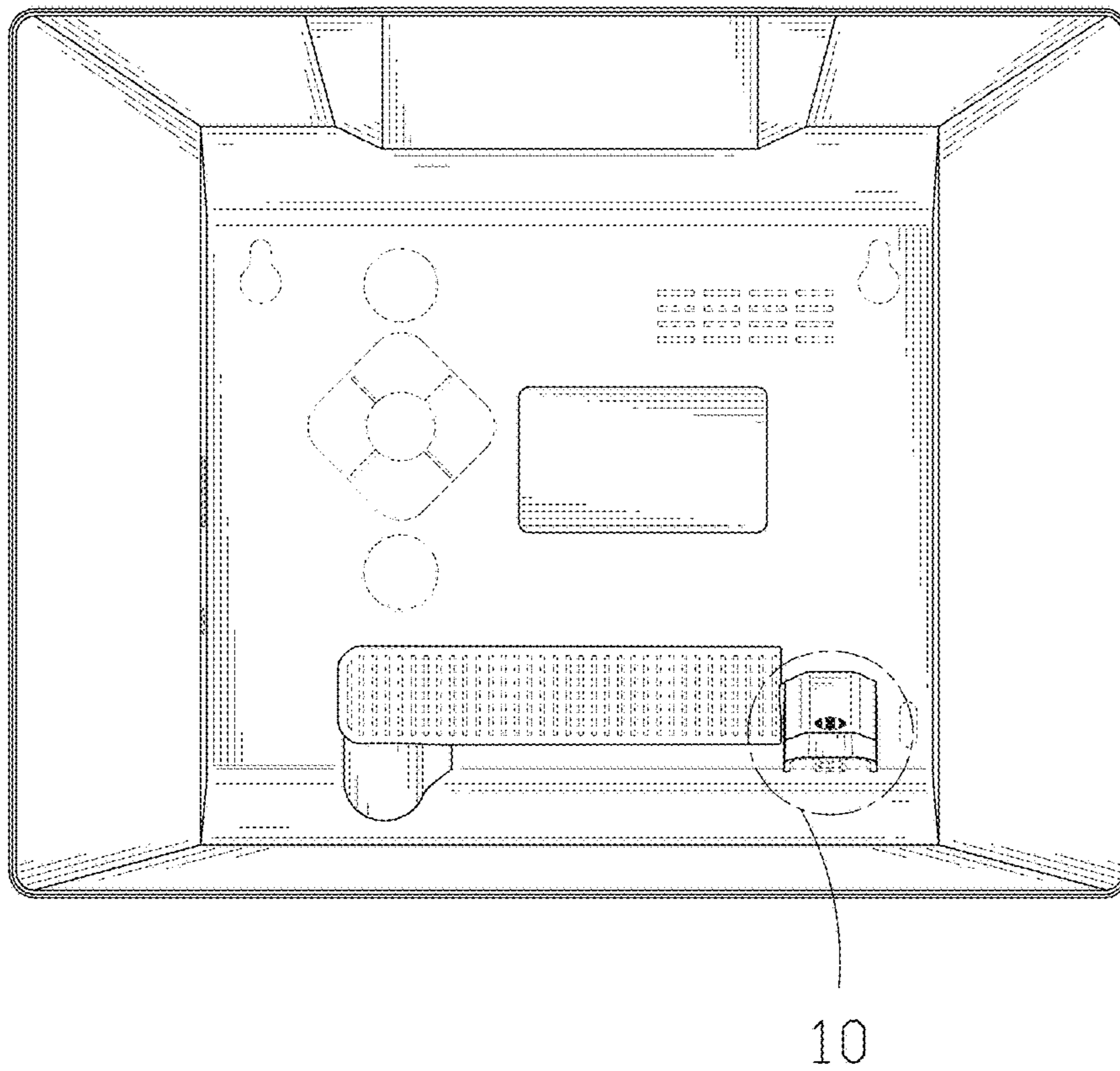


FIG. 4

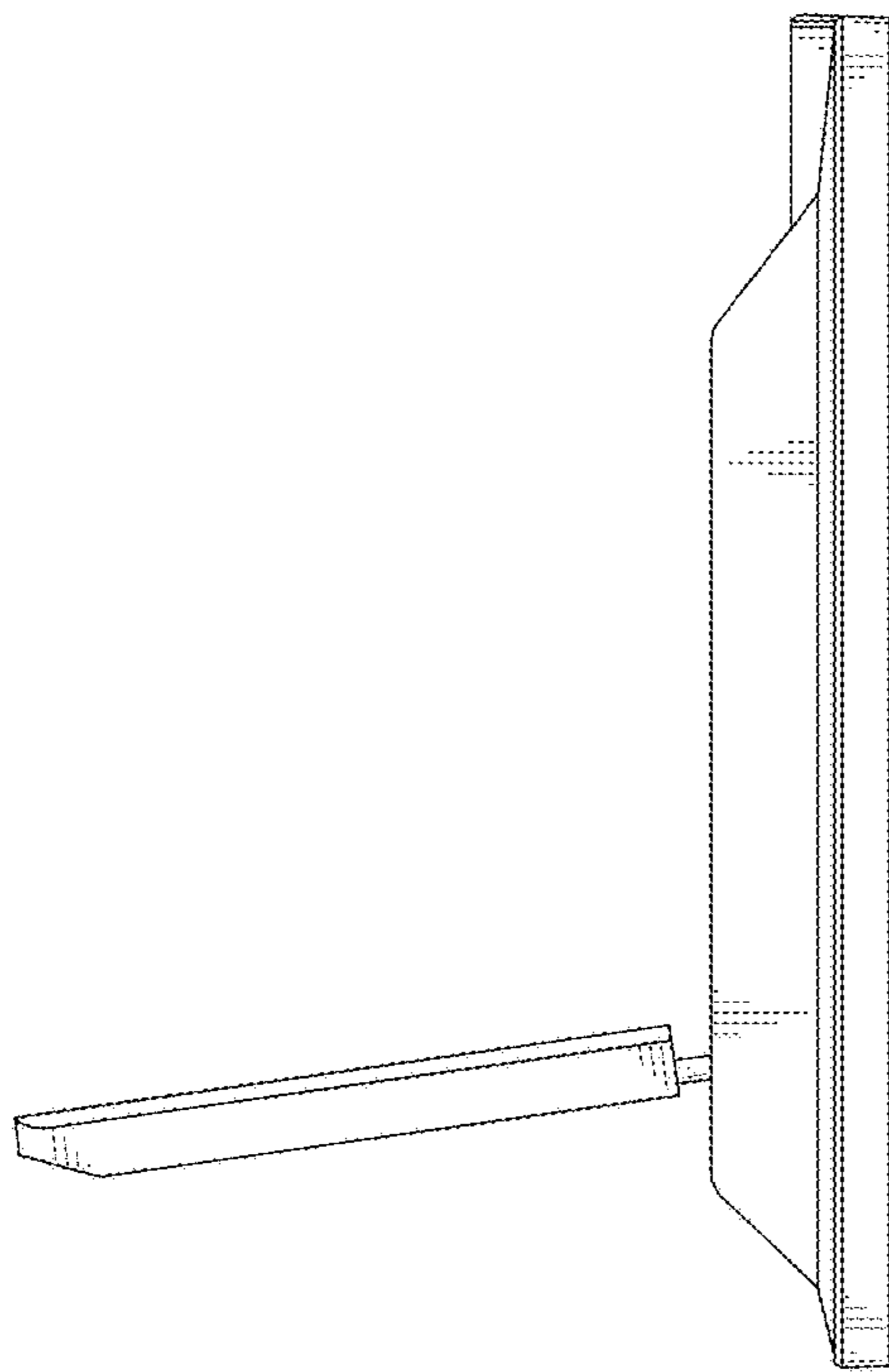


FIG. 5

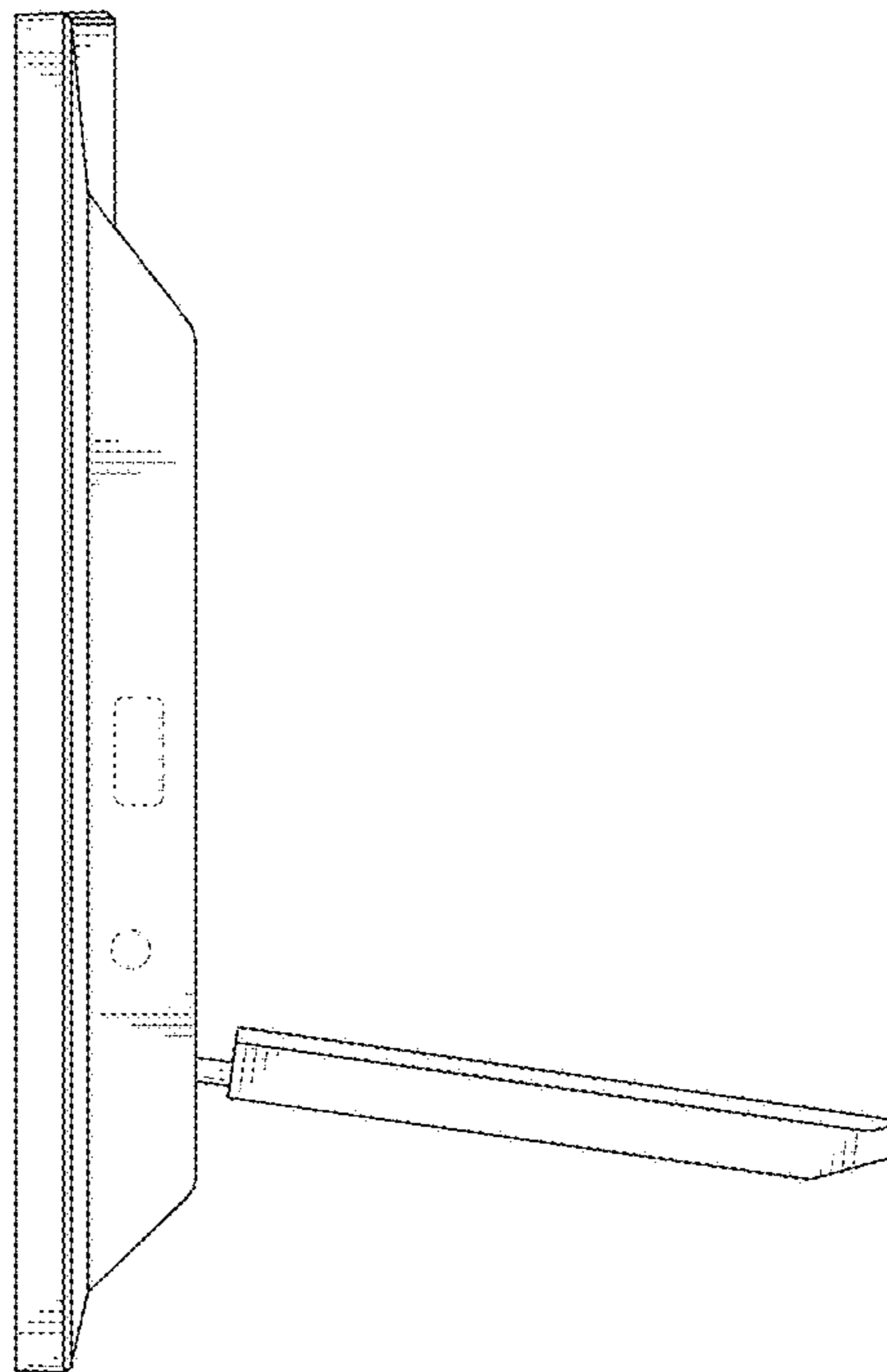


FIG. 6

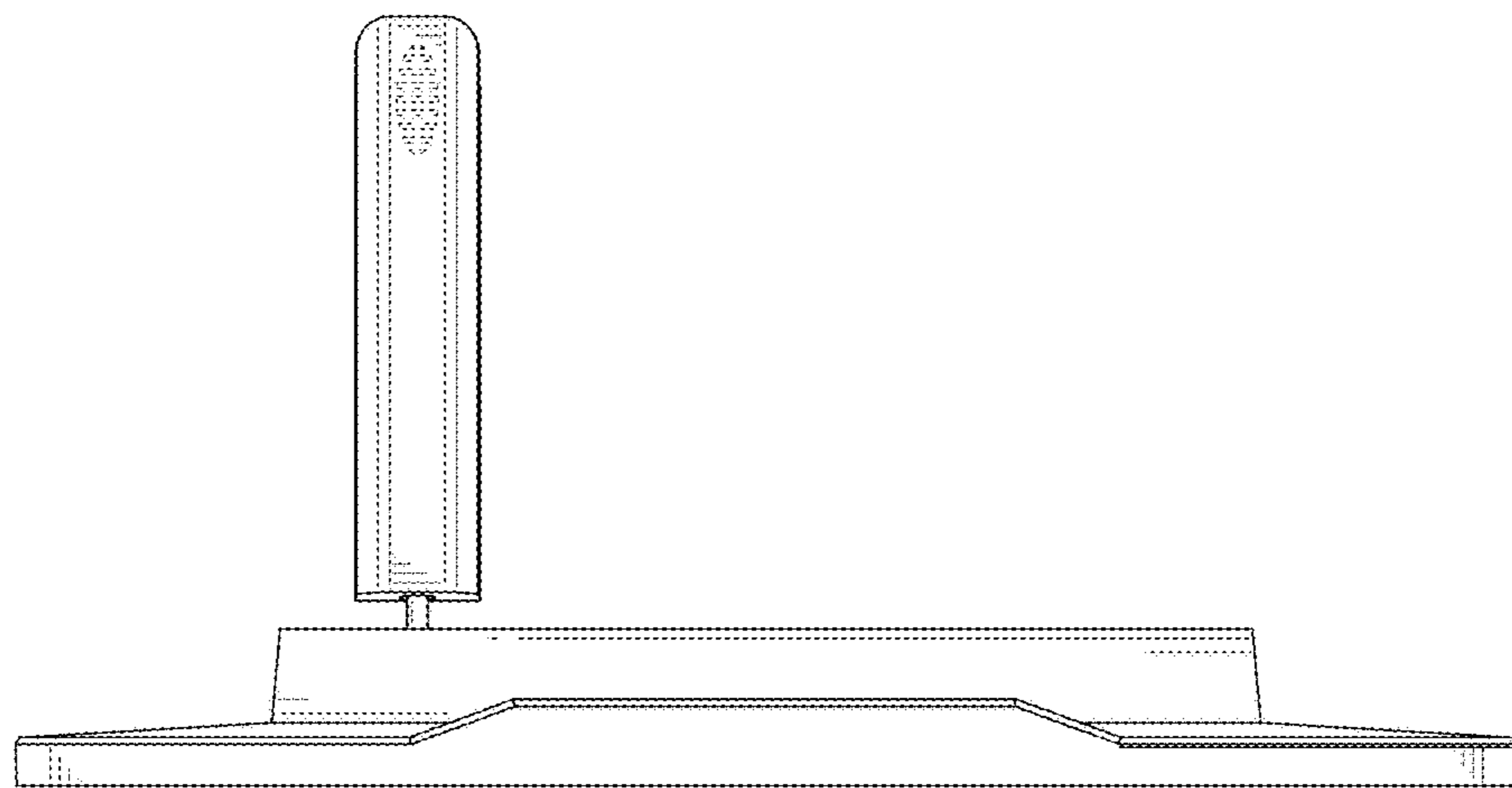


FIG. 7

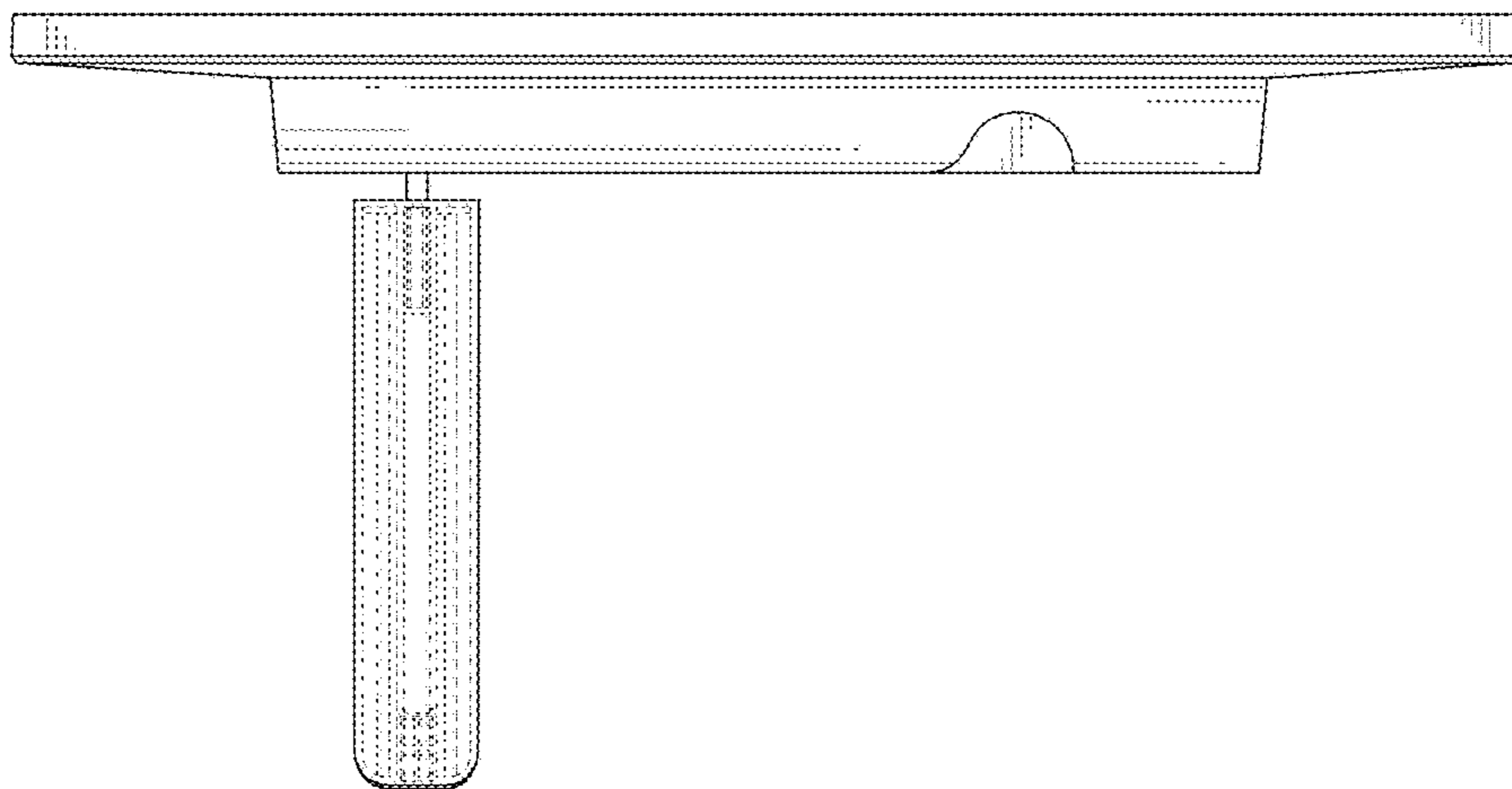


FIG. 8

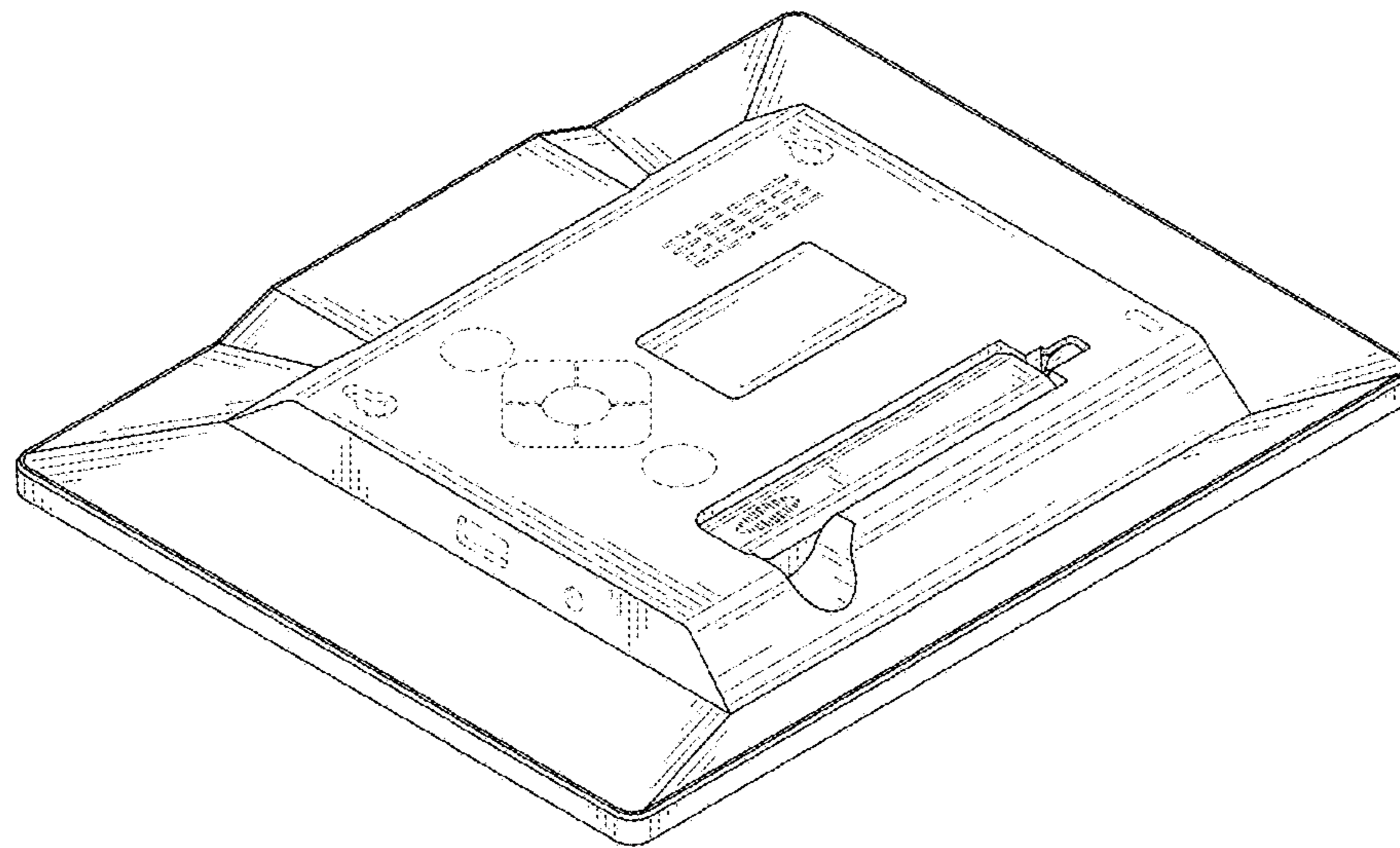


FIG. 9

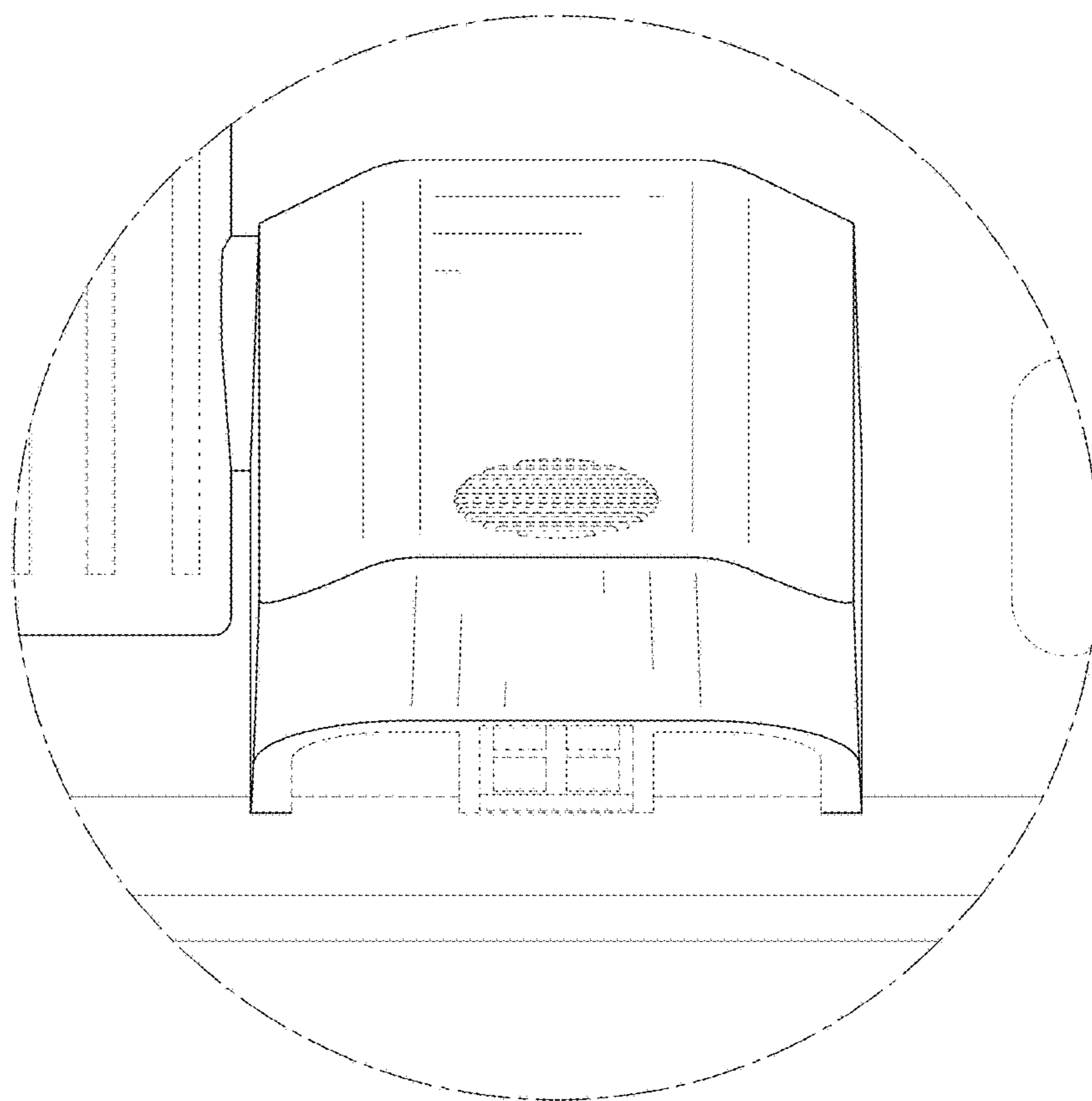


FIG. 10