

US00D862249S

(12) **United States Design Patent** (10) **Patent No.:** **US D862,249 S**
Dominion et al. (45) **Date of Patent:** **** *Oct. 8, 2019**

(54) **CONTAINER INSERT**

(71) Applicant: **D6 Inc.**, Portland, OR (US)

(72) Inventors: **Ed Dominion**, Portland, OR (US);
Martin Troudt, Wood Village, OR (US); **Ben McGregor**, Portland, OR (US)

(73) Assignee: **D6 Inc.**, Portland, OR (US)

(*) Notice: This patent is subject to a terminal disclaimer.

(**) Term: **15 Years**

(21) Appl. No.: **29/667,802**

(22) Filed: **Oct. 24, 2018**

Related U.S. Application Data

(63) Continuation-in-part of application No. 29/639,574, filed on Mar. 7, 2018.

(51) **LOC (12) Cl.** **09-03**

(52) **U.S. Cl.**
USPC **D9/761; D9/737**

(58) **Field of Classification Search**
USPC D9/341, 347, 414-432, 440, 444, 447, D9/449-454, 503, 504, 737, 759, 761,
(Continued)

(56) **References Cited**

U.S. PATENT DOCUMENTS

D172,271 S * 5/1954 Despres D7/553.4
D551,091 S * 9/2007 Shahsavarani D9/737
(Continued)

OTHER PUBLICATIONS

YPI Salad Bowl With Protein Insert Salad Packaging, available Aug. 11, 2015, [online], [site visited Jan. 16, 2019]. Available from

internet, <URL: <https://web.archive.org/web/20150811031729/https://packagingsales.com/salad-packaging/> (Year: 2015).*

(Continued)

Primary Examiner — Cathron C Brooks
Assistant Examiner — W. A. Teddy Falloway
(74) *Attorney, Agent, or Firm* — Stoel Rives LLP

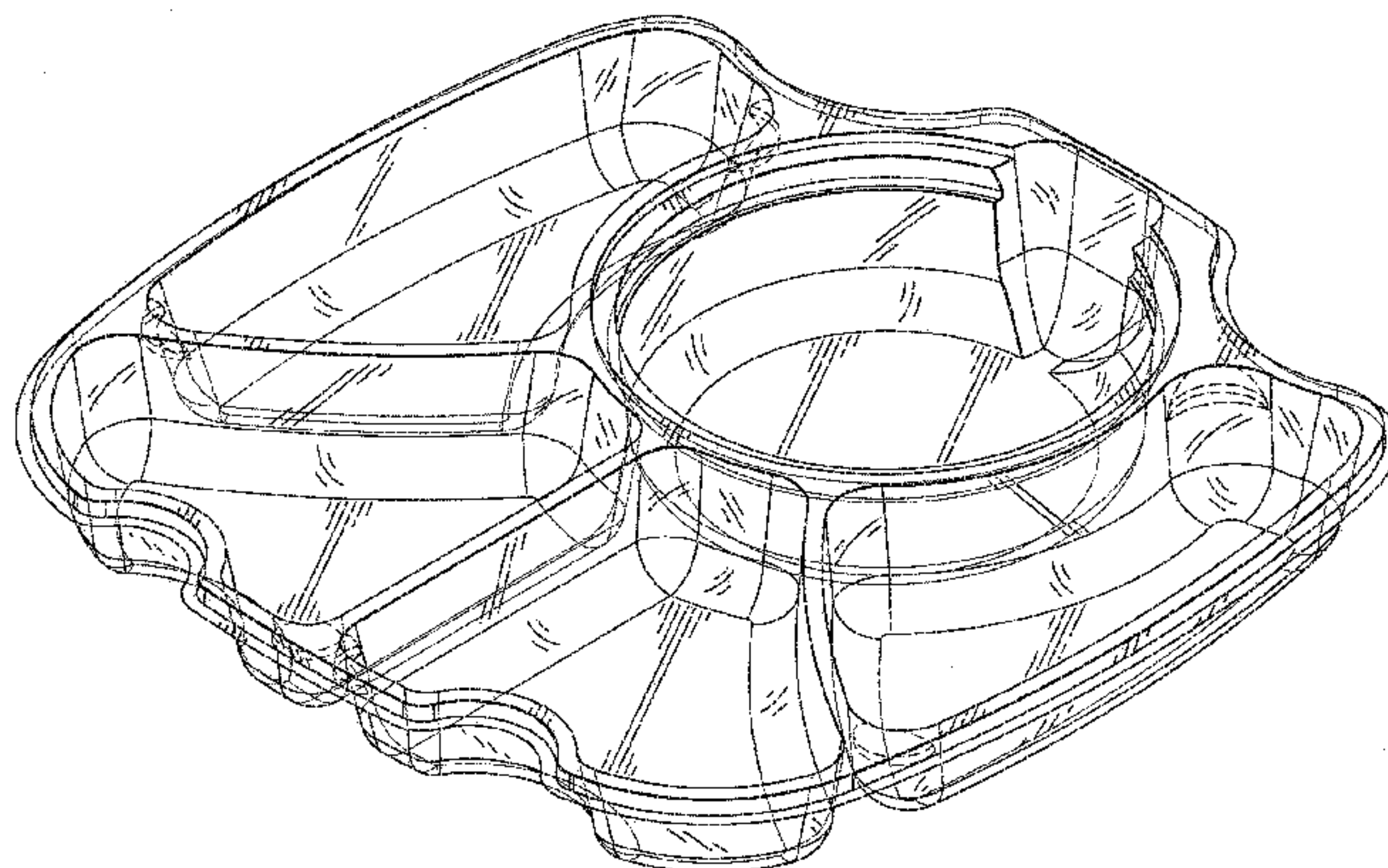
(57) **CLAIM**

The ornamental design for a container insert, as shown and described.

DESCRIPTION

FIG. 1 is a front, top isometric view of a container insert showing our new design;
FIG. 2 is a front elevational view of the container insert of FIG. 1;
FIG. 3 is a rear elevational view of the container insert of FIG. 1;
FIG. 4 is a right side view of the container insert of FIG. 1;
FIG. 5 is a left side view of the container insert of FIG. 1;
FIG. 6 is a top plan view of the container insert of FIG. 1;
FIG. 7 is a bottom plan view of the container insert of FIG. 1;
FIG. 8 is a rear, bottom isometric view of the container insert of FIG. 1;
FIG. 9 is a front, top isometric view of the container insert of FIG. 1, shown with environmental subject matter; and,
FIG. 10 is an exploded front, top isometric view of the container insert of FIG. 1.
The broken-line showing of a bowl in FIGS. 9 and 10 illustrates environmental structure which forms no part of the claimed design. All other broken lines in FIGS. 1-10 represent anti-nesting portions of the container insert which are environmental and form no part of the claimed design.

1 Claim, 8 Drawing Sheets



(58) Field of Classification Search

USPC D9/456; D7/672, 601, 550.1, 551.1,
 D7/551.2, 551.3, 552.1, 552.2, 553.1,
 D7/553.2, 553.4, 553.5, 553.7, 553.8,
 D7/554.1, 554.3, 555, 557, 602, 629, 630,
 D7/538-542, 612-615, 584, 586, 587,
 D7/392.1, 709, 502, 608, 622, 701, 703,
 D7/543-549, 317-319, 391, 392, 396.2,
 D7/510, 511; D3/273, 201-206, 276,
 D3/283, 284, 295, 274, 302; D11/143;
 220/575, 500, 505-507, 523, 553, 555,
 220/556; 206/216, 217, 541-550, 518,
 206/557, 558, 561, 564, 223, 467;
 229/107, 406, 120, 125.17; 249/126,
 249/134; 426/106; 215/211, 200, 224,
 215/243
 CPC B65D 85/34; B65D 85/345; B65D 43/161;
 B65D 43/162; B65D 43/16; B65D 51/28;
 B65D 2543/00194; B65D 2543/00296;
 B65D 1/24; B65D 21/0237; B65D
 2543/00101; B65D 2543/00351; B65D
 1/36; B65D 2543/00555; B65D
 2581/3425; B65D 25/04; B65D 43/0218;
 B65D 2543/00083; B65D 2543/00268;
 B65D 2543/00277; B65D 81/3453; A47G
 19/02; A47G 19/065; A47G 23/0608;
 A47G 23/06

See application file for complete search history.

(56) References Cited

U.S. PATENT DOCUMENTS

D615,821	S	*	5/2010	Stamper	D7/538
D698,665	S	*	2/2014	Sifuentes	D9/425
D708,904	S	*	7/2014	Coyle	A47G 23/06 D7/544
D723,392	S	*	3/2015	Sifuentes	D9/425
D740,615	S	*	10/2015	Shoshan	D7/553.2
D782,333	S	*	3/2017	Shoshan	D9/737
D804,961	S	*	12/2017	Shoshan	D9/737
D809,934	S	*	2/2018	Shoshan	D9/737
D825,996	S	*	8/2018	Rabiai	A47G 23/06 D7/551.1
D829,509	S	*	10/2018	Malak	D7/553.1
2011/0132914	A1	*	6/2011	Vernes	A47G 19/06 220/575

OTHER PUBLICATIONS

Eco Products EP-BLI1604 Bowl Insert, available Jan. 16, 2019, [online], [site visited Jan. 16, 2019]. Available from internet, <URL: <https://www.webstaurantstore.com/eco-products-ep-bli-1604-regalia-white-4-compartment-compostable-sugarcane-bowl-insert-case/500EPBLI1604.html> (Year: 2019).*

64 oz Square Hinged Bowl Insert, available Jun. 26, 2014, [online], [site visited Jan. 16, 2019]. Available from internet, <URL: <http://www.packaging2.com/product/64-oz-square-hinged-bowl-insert/> (Year: 2014).*

* cited by examiner

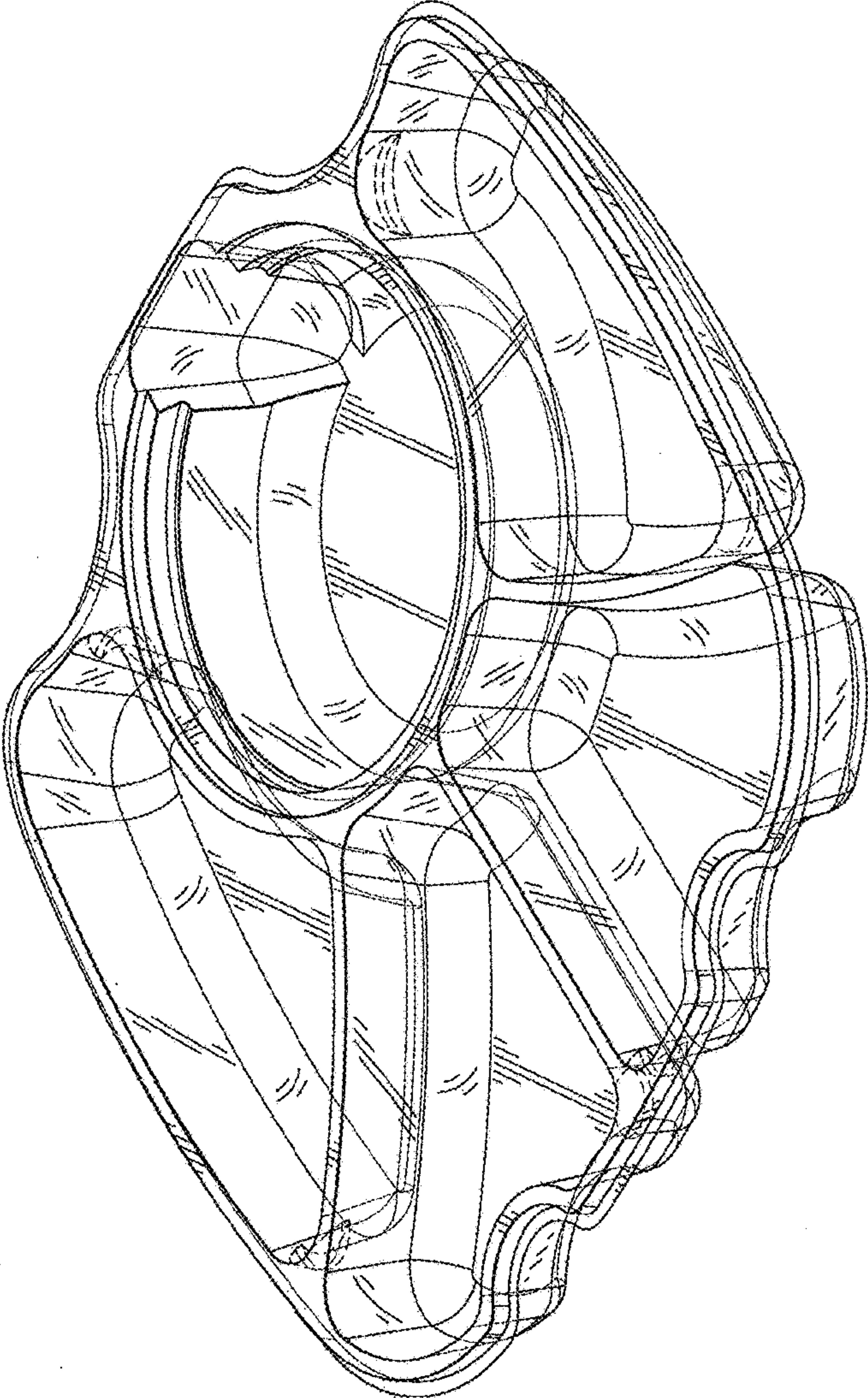


FIG. 1

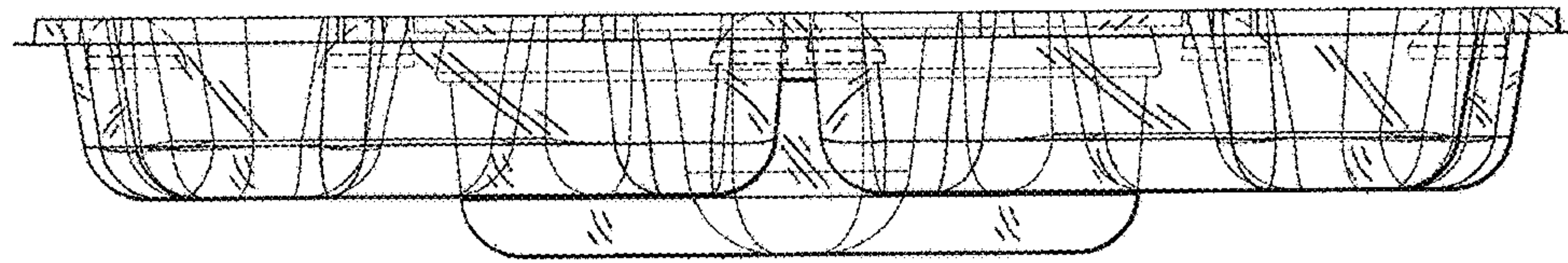


FIG. 2

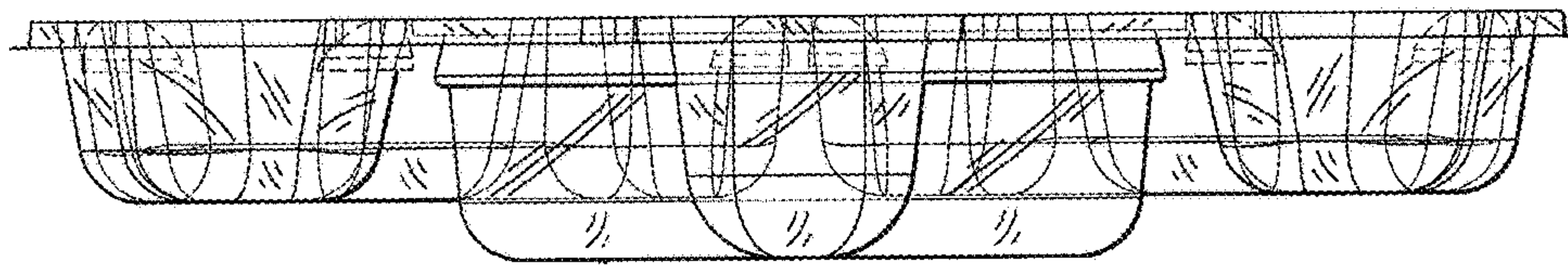


FIG. 3

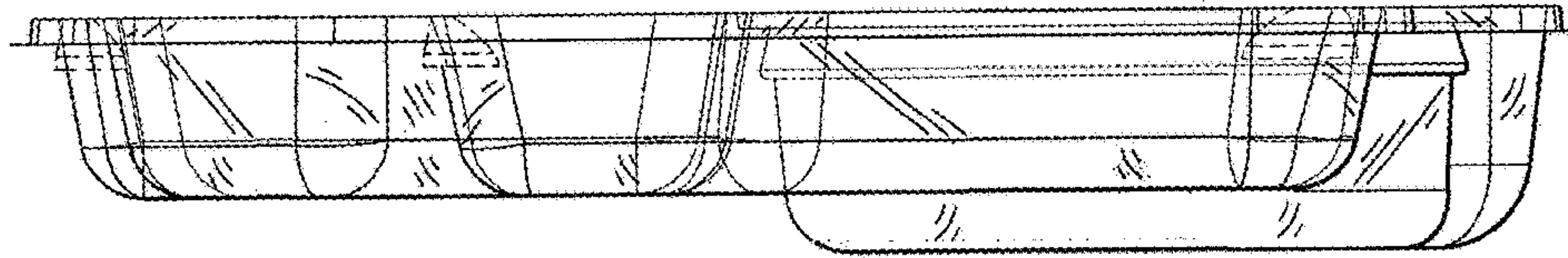


FIG. 4

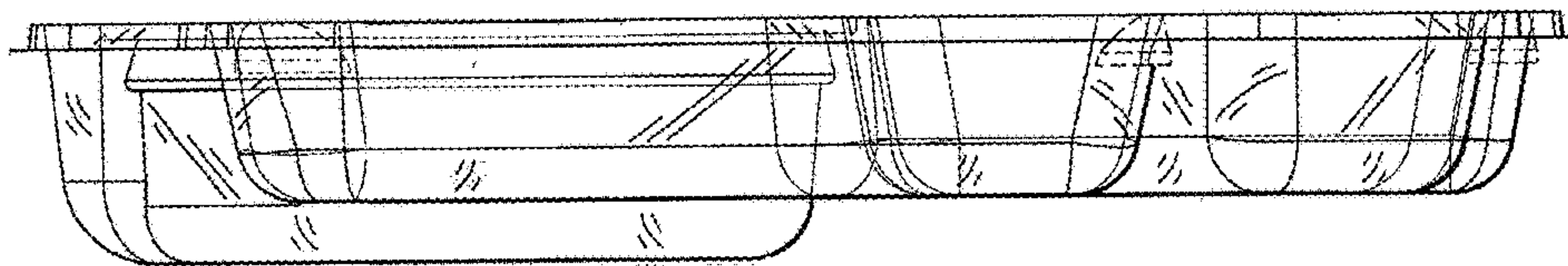


FIG. 5

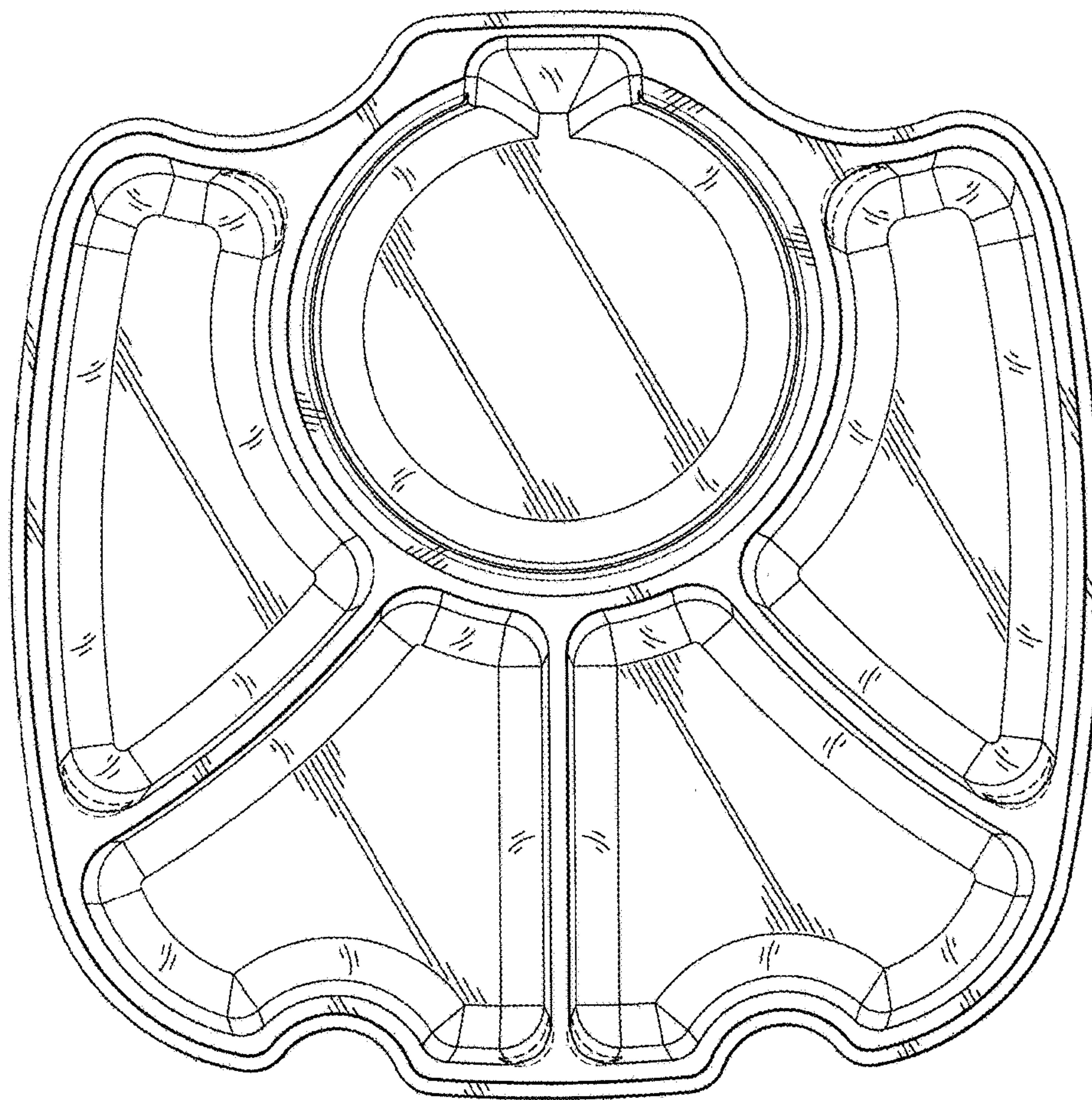


FIG. 6

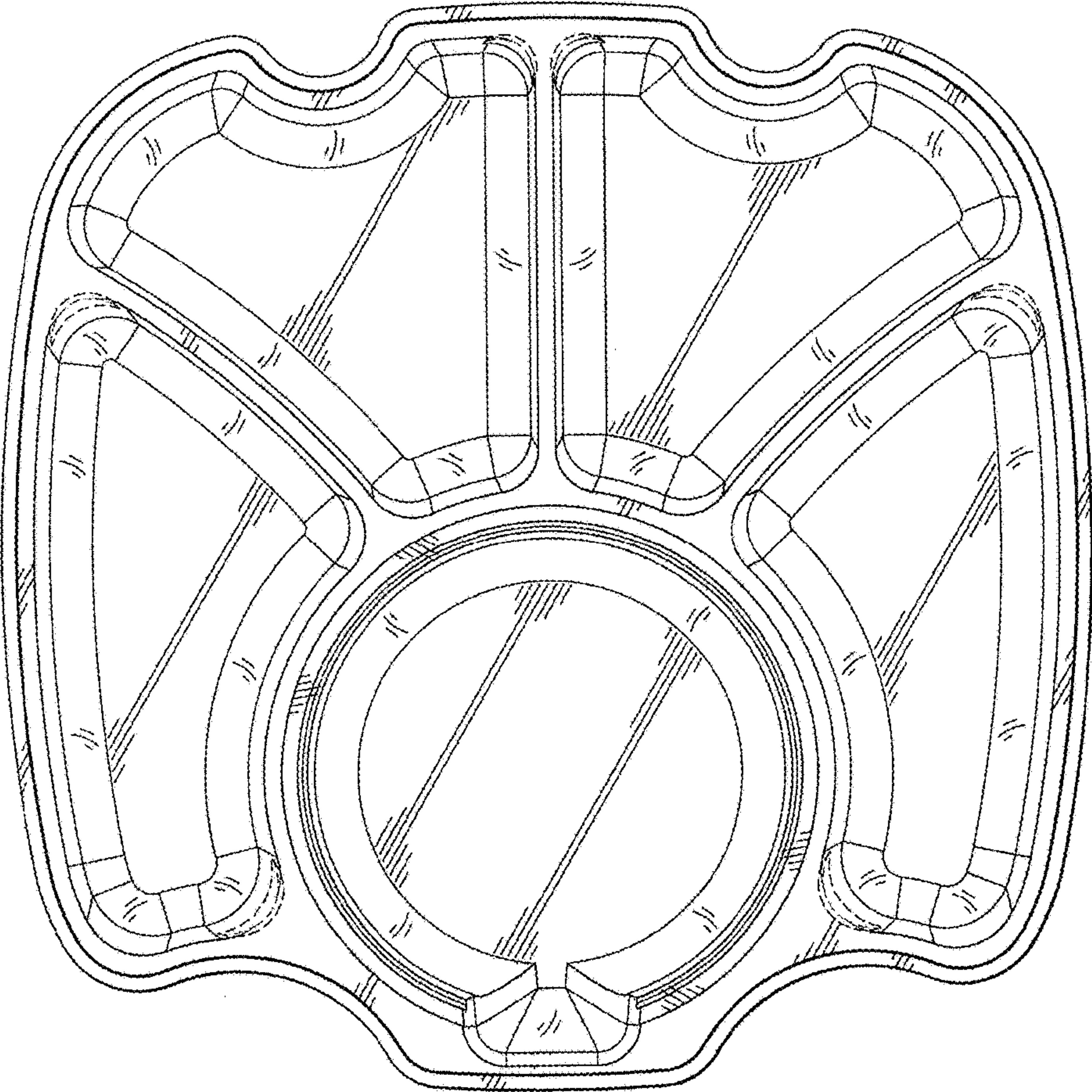


FIG. 7

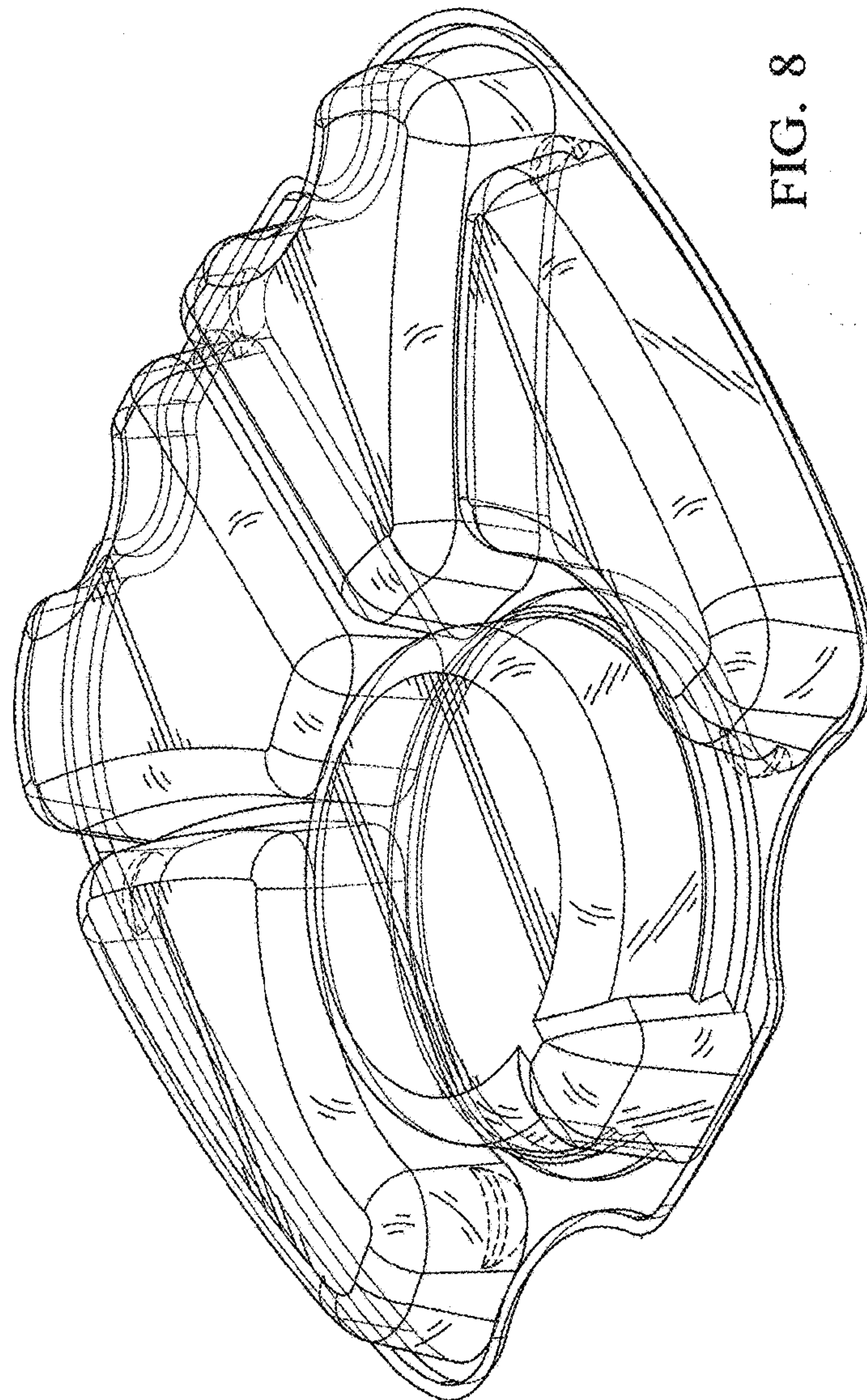


FIG. 8

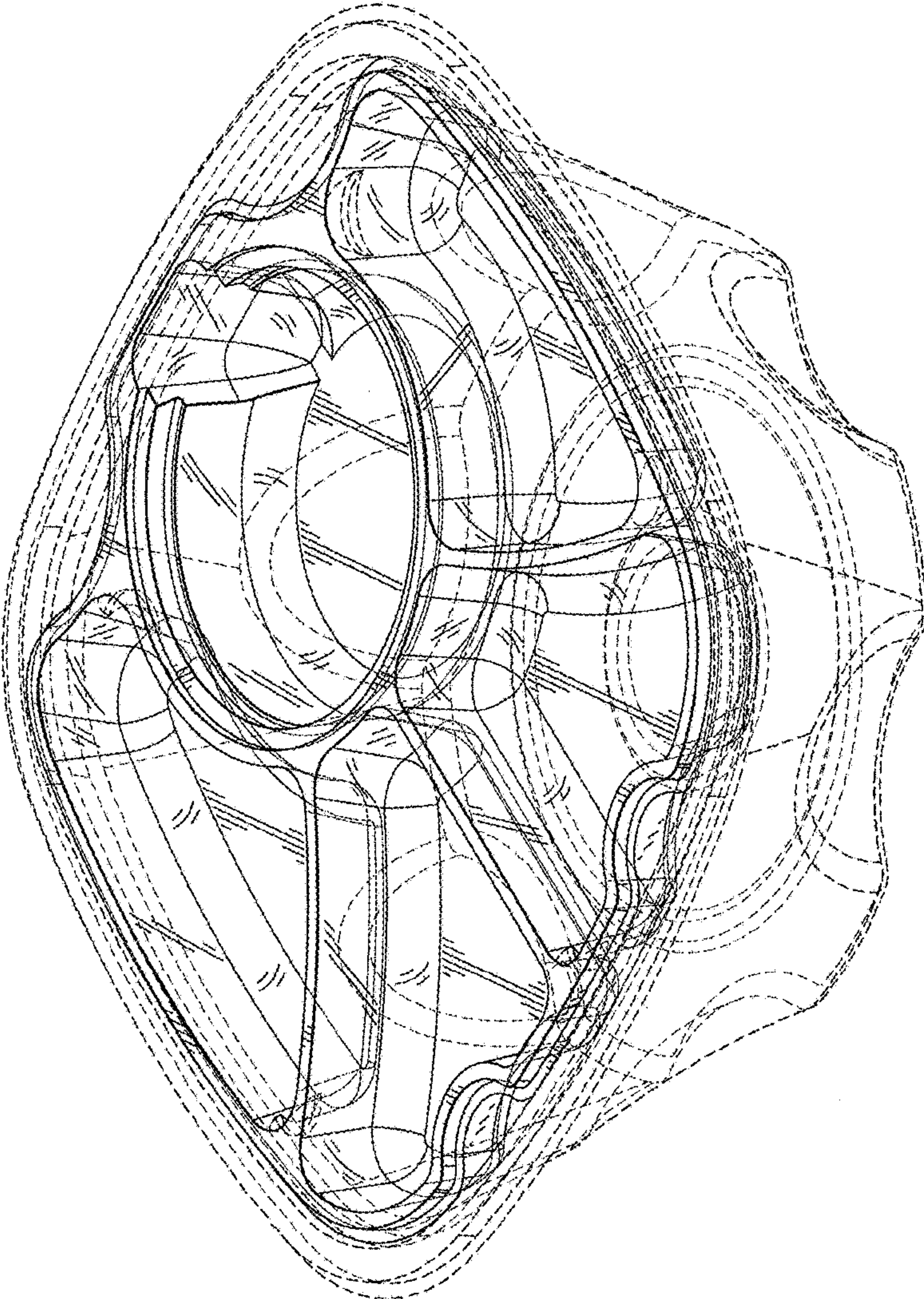


FIG. 9

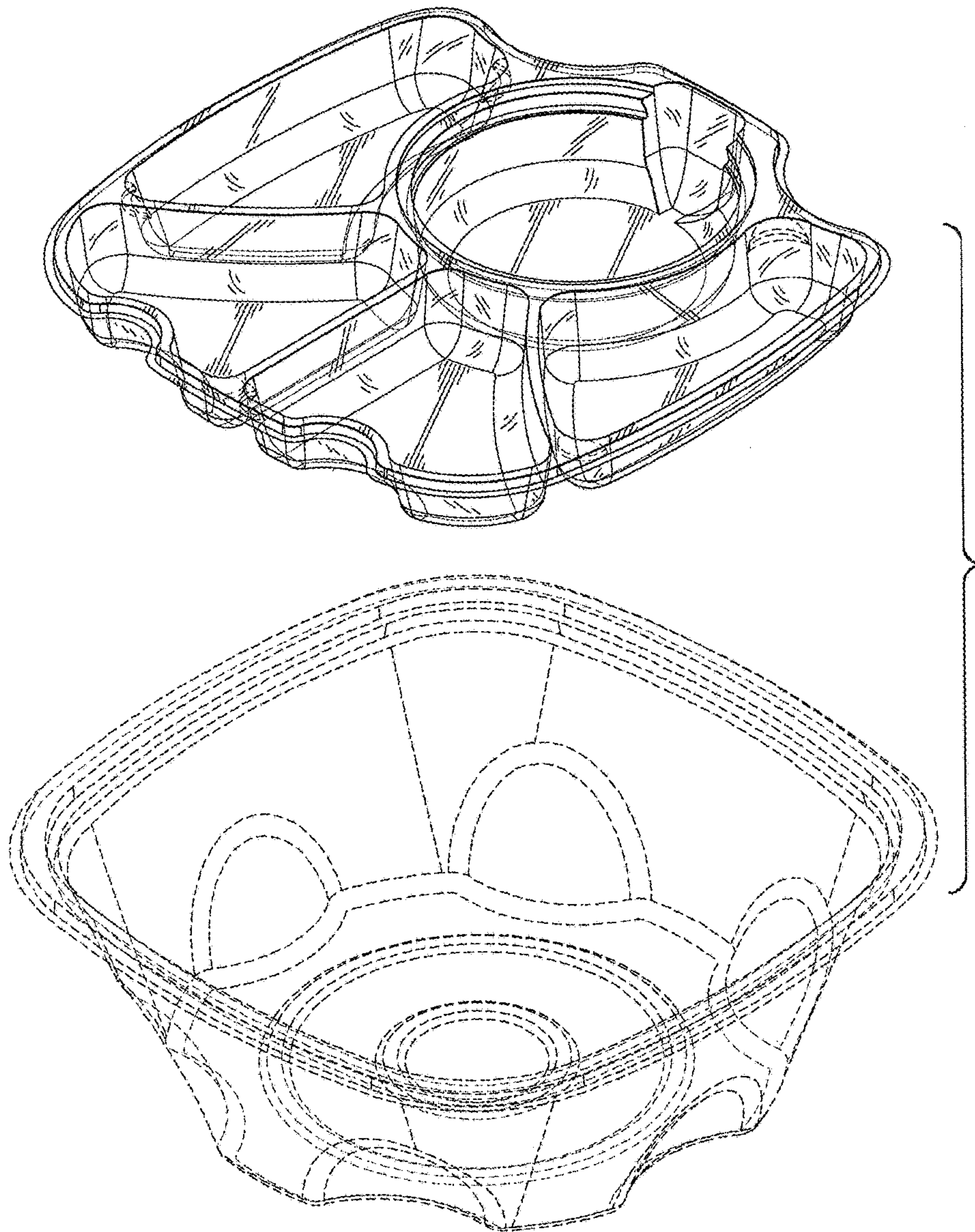


FIG. 10