



US00D862248S

(12) **United States Design Patent** (10) **Patent No.:** **US D862,248 S**
Arendt et al. (45) **Date of Patent:** **** Oct. 8, 2019**

(54) **PACKAGE**
(71) Applicant: **Kraft Foods Group Brands LLC**,
Chicago, IL (US)

D222,852 S 1/1972 Goins
3,685,649 A 8/1972 Diehl
3,785,546 A 1/1974 Kuster
D232,348 S 8/1974 Cloud
(Continued)

(72) Inventors: **Brian Arendt**, Chicago, IL (US);
Jordan Dasher, Chicago, IL (US)

FOREIGN PATENT DOCUMENTS

(73) Assignee: **Kraft Foods Group Brands LLC**,
Chicago, IL (US)

CA 2215873 3/1999
CA 177342 * 9/2018
(Continued)

(**) Term: **15 Years**

OTHER PUBLICATIONS

(21) Appl. No.: **29/598,919**

“Spotted on shelves (Meat Edition)”, available Apr. 25, 2017,
[online], [site visited May 2, 2019]. Available from internet, URL:
<https://www.theimpulsivebuy.com/wordpress/2017/04/25/spotted-on-shelves-meat-edition-4252017/> (Year: 2017).*

(22) Filed: **Mar. 29, 2017**

(51) **LOC (12) Cl.** **09-03**

(52) **U.S. Cl.**
USPC **D9/760**

(58) **Field of Classification Search**
USPC D9/737, 761, 414, 415, 424, 425,
D9/430-432, 427; 426/108, 110, 119,
426/122; 229/164.1; 206/45.24, 45.23,
206/461, 545; 220/631
CPC .. A23V 2200/08; B65D 1/36; B65D 77/2024;
B65D 71/70; B65D 85/78; A23G 9/503
See application file for complete search history.

(Continued)

Primary Examiner — Cathron C Brooks
Assistant Examiner — W. A. Teddy Falloway
(74) *Attorney, Agent, or Firm* — Fitch, Even, Tabin &
Flannery LLP

(57) **CLAIM**

The ornamental design for a package, as shown and
described.

DESCRIPTION

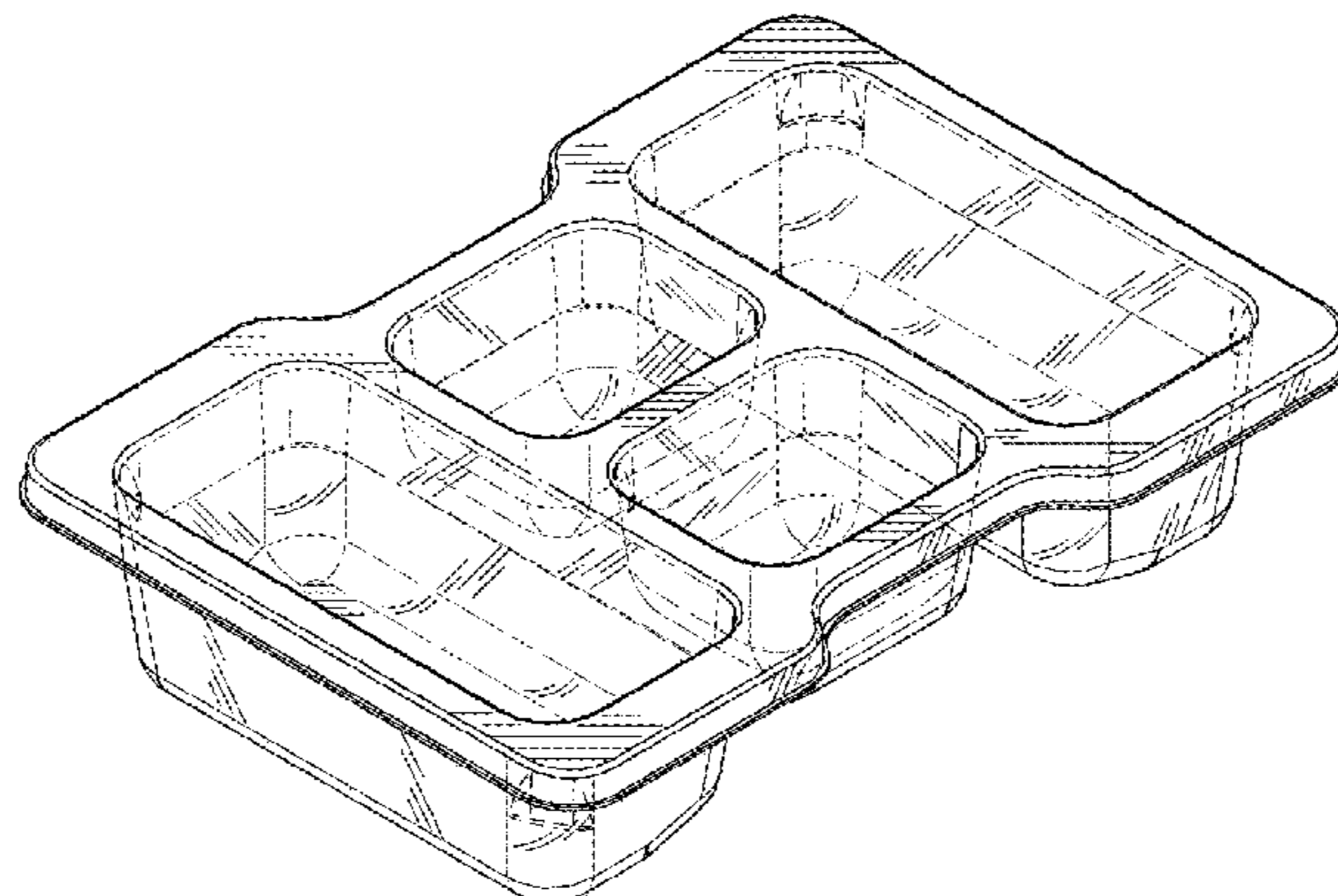
(56) **References Cited**

U.S. PATENT DOCUMENTS

D20,487 S * 1/1891 McBride D7/555
467,964 A 2/1892 Watt
813,428 A 2/1906 Howe
1,879,029 A 9/1932 Baumgard
D144,016 S 2/1946 Weideman
D165,683 S 1/1952 Fournier
D195,737 S 7/1963 Bassett
3,171,540 A 3/1965 Douglas
D218,514 S 8/1970 Fossella
3,565,245 A 2/1971 Asher
D222,668 S 11/1971 Gregory

FIG. 1 is a perspective view of a package showing our new
design.
FIG. 2 is a top plan view thereof.
FIG. 3 is a left-side elevational view thereof, the right-side
elevational view being identical thereto.
FIG. 4 is a front elevational view thereof, the rear elevational
view being identical thereto; and,
FIG. 5 is a bottom plan view thereof.
The broken lines shown illustrate portions of the package
that form no part of the claimed design.

1 Claim, 3 Drawing Sheets



(56)

References Cited

U.S. PATENT DOCUMENTS

D273,765 S	5/1984	Cillario	6,662,960 B2	12/2003	Hong	
D276,201 S	11/1984	Wolff	6,695,162 B1	2/2004	Boukobza	
D279,865 S	7/1985	McKee	6,698,606 B2	3/2004	Deubel	
4,653,685 A	3/1987	Leary	D492,593 S	7/2004	Dutton	
D292,379 S	10/1987	Pollitt	6,763,969 B1	7/2004	Melrose	
D293,767 S	1/1988	Powers	D494,463 S	8/2004	Tsao	
D297,115 S	8/1988	Fontana	D495,246 S	8/2004	Tomassetti	
D297,116 S	8/1988	Fontana	D504,326 S	4/2005	Vovan	
D297,117 S	8/1988	Fontana	6,929,139 B2	8/2005	Darr	
D297,118 S	8/1988	Fontana	D515,880 S	2/2006	Lerner	
D297,119 S	8/1988	Fontana	7,083,818 B2	8/2006	Pratte	
4,836,380 A	6/1989	Walter	D529,821 S	10/2006	Wilcox	
D303,215 S	9/1989	Hoyt	D530,626 S	10/2006	Tanja	
4,930,627 A	6/1990	Borst	D531,054 S	10/2006	Sagel	
5,011,006 A	4/1991	Anderson	D535,889 S	1/2007	Kaminski	
5,042,652 A *	8/1991	Grindrod	D536,619 S	2/2007	Heisner	
	 B65D 75/02	D537,633 S *	3/2007	Marnell, II	D3/313
		206/557	D549,572 S	8/2007	Althouse	
5,092,475 A	3/1992	Krishnakumar	D557,635 S	12/2007	Ohgaku	
5,119,940 A	6/1992	Grindrod	D559,148 S	1/2008	Yamagishi	
5,123,527 A	6/1992	Hustad	D562,127 S	2/2008	Croft	
D335,821 S	5/1993	Hasler	D562,146 S	2/2008	Zboch	
D337,048 S	7/1993	Detert	D568,164 S	5/2008	Dodge	
D337,268 S	7/1993	Detert	D569,733 S	5/2008	Dodge	
D338,808 S	8/1993	Anderson	7,367,365 B2	5/2008	Slat	
D339,522 S	9/1993	Zoss	7,377,381 B2	5/2008	Dziaba	
D341,624 S	11/1993	Evenson	D571,228 S	6/2008	Maslowski	
D349,456 S	8/1994	Wilson	D573,038 S *	7/2008	Picken	D9/737
D351,556 S *	10/1994	Reil	D577,577 S	9/2008	Lee	
D352,202 S	11/1994	Campbell	D579,769 S	11/2008	Lipinski	
D353,516 S	12/1994	Anderson	D585,746 S	2/2009	Dodge	
5,375,701 A	12/1994	Hustad	D585,747 S	2/2009	Dodge	
D363,856 S *	11/1995	Westbrooks, Jr.	D585,755 S	2/2009	Dodge	
D366,187 S	1/1996	Van Den Kieboom	7,568,588 B2	8/2009	Yourist	
D371,940 S	7/1996	Krupa	7,581,654 B2	9/2009	Stowitts	
D376,953 S *	12/1996	Dunn	D609,576 S	2/2010	Kuzma	
5,598,941 A	2/1997	Semersky	7,699,183 B2	4/2010	Matsuoka	
D378,726 S *	4/1997	Dunn	D621,718 S	8/2010	Mehdizadeh	
D381,264 S	7/1997	Lippincott	7,798,349 B2	9/2010	Maczek	
5,657,874 A	8/1997	Hustad	D626,002 S	10/2010	Charyszyn	
D386,075 S	11/1997	Hayes	D627,217 S	11/2010	Marcinkowski	
5,695,798 A	12/1997	Rozzano	D634,619 S *	3/2011	Fisher	D9/425
5,728,416 A *	3/1998	Bono	7,959,024 B2	6/2011	Pedmo	
	 B65D 81/3492	D642,066 S	7/2011	Kuzma	
		426/107	D642,484 S	8/2011	Birchmeier	
5,730,288 A	3/1998	Weisburn	D642,937 S	8/2011	Kado	
5,743,402 A	4/1998	Gics	D645,764 S	9/2011	Mathis	
D395,232 S	6/1998	Bryan	8,025,179 B2	9/2011	Miller	
D395,233 S	6/1998	Bryan	D647,792 S	11/2011	Mathis	
D395,392 S	6/1998	Lahm	8,069,986 B2	12/2011	Darr	
D408,280 S	4/1999	Manley	D652,323 S	1/2012	Clark	
D408,684 S	4/1999	Helm	8,113,370 B2	2/2012	Zhang	
5,900,263 A	5/1999	Gics	D655,136 S	3/2012	Goodman	
D411,798 S	7/1999	Suzuki	D655,629 S	3/2012	Blanton	
5,922,376 A	7/1999	Privert	D659,000 S	5/2012	Kim	
5,927,533 A	7/1999	Payne	D664,434 S	7/2012	Kim	
D416,483 S	11/1999	Manley	D669,368 S	10/2012	Ehrmann	
D417,840 S	12/1999	Alpert	D674,288 S	1/2013	Gieske	
D419,061 S	1/2000	Croft	D681,474 S	5/2013	Gieske	
D420,283 S	2/2000	Reichel	8,474,638 B2	7/2013	Pedmo	
D420,855 S	2/2000	Hurley	8,540,095 B2	9/2013	Pedmo	
D427,914 S	7/2000	Croft	D693,178 S	11/2013	Wilson	
6,092,664 A	7/2000	Bartosek	D696,136 S	12/2013	Gieske	
D429,147 S	8/2000	Baker	D697,415 S	1/2014	Bryant	
6,117,506 A	9/2000	Graboski	8,632,722 B2	1/2014	Porter	
6,152,302 A	11/2000	Miller	D701,430 S	3/2014	Hohnstein	
D443,510 S	6/2001	Doucette	D712,283 S	9/2014	Ehrmann	
6,261,616 B1	7/2001	Simpson	D713,742 S	9/2014	Dzikowicz	
D446,127 S	8/2001	Adee	D714,660 S	10/2014	Feldmeier	
D446,128 S	8/2001	Adee	D732,344 S	6/2015	Clark	
D446,730 S	8/2001	Adee	D737,681 S	9/2015	Martinson	
D450,596 S	11/2001	Adee	D750,976 S	3/2016	Tilahun	
D463,977 S	10/2002	Castellanos	D769,132 S	10/2016	Tilahun	
D471,766 S	3/2003	Doucette	D773,940 S	12/2016	Tilahun	
D474,687 S	5/2003	Jones	D780,599 S	3/2017	Tilahun	
D481,635 S	11/2003	Lovelace	D798,166 S	9/2017	Tilahun	
D484,364 S	12/2003	Bailey	D798,738 S	10/2017	Feldmeier	
			D822,506 S	7/2018	Tilahun	
			D839,751 S *	2/2019	Troudt	D9/737

(56)

References Cited

U.S. PATENT DOCUMENTS

2001/0001674	A1	5/2001	Simpson	
2002/0008106	A1	1/2002	Bezek	
2002/0108955	A1*	8/2002	Erb	B65D 1/36 220/359.4
2003/0185943	A1	10/2003	Bradley	
2005/0061759	A1	3/2005	Doucette	
2005/0068182	A1	3/2005	Dunlap	
2005/0092644	A1	5/2005	Cafferata	
2007/0178194	A1*	8/2007	Everard	A23G 3/54 426/106
2007/0187264	A1	8/2007	Hofte	
2008/0179271	A1	7/2008	Bangi	
2009/0039079	A1	2/2009	Lipinski	
2009/0159483	A1	6/2009	Hinze	
2009/0301923	A1	12/2009	Van Puijenbroek	
2010/0183775	A1	7/2010	Cudnohoske	
2011/0027438	A1	2/2011	Finkowski	
2011/0086141	A1	4/2011	Strilich	
2011/0132916	A1	6/2011	Uptergrove	
2012/0181246	A1	7/2012	Ross	
2012/0267381	A1	10/2012	Trude	
2012/0325770	A1	12/2012	Reeber	
2013/0015091	A1	1/2013	Murray	
2013/0025092	A1	1/2013	Ozawa	
2013/0032604	A1	2/2013	Jamali	
2013/0082024	A1	4/2013	Howell	
2015/0360840	A1	12/2015	Tilahun	

FOREIGN PATENT DOCUMENTS

CA	182451	*	9/2018
CN	101600625		12/2009
EP	0488531		6/1992
EP	1942058		7/2008

FR	2058493	5/1971
FR	2855817	12/2004
GB	1406444	9/1975
GB	2451737	2/2009
JP	H04352657	12/1992
JP	2009116171	5/2009
JP	2011240952	A 12/2011
JP	2012131559	7/2012
WO	2010068593	A2 6/2010
WO	2014005023	A1 1/2014
WO	2014105712	A2 7/2014

OTHER PUBLICATIONS

“Convenience + Meat + Cheese + Nuts = P3 Portable Protein Packs”, available Mar. 11, 2014, [online], [site visited May 2, 2019]. Available from internet, URL: <https://designertrapped.com/p3-portable-protein-packs/> (Year: 2014).*

“New TraySkin film made specifically for poultry packaging”, available Jan. 9, 2017, [online], [site visited May 2, 2019]. Available from internet, URL: <https://www.packagingstrategies.com/articles/89395-new-trayskin-film-made-specifically-for-poultry-packaging> (Year: 2017).*

“Easy After School Snacks for the Busy Family”, available Oct. 19, 2017, [online], [site visited May 2, 2019]. Available from internet, URL: <https://www.blessthisplease.com/after-school-snacks-8/> (Year: 2017).*

Keebler Sargento Cheese Dip & Sticks, available Oct. 28, 2011, [online], according to an IDS dated Jul. 13, 2016, in U.S. Appl. No. 29/571,001.

Nabisco Handi-Snacks, available Jul. 7, 2013, [online], according to an IDS dated Jul. 13, 2016, in U.S. Appl. No. 29/571,001.

Photos of Oscar Mayer Lunchables Jr. Snack Combinations—Twin Pack; believed to have been on sale and in public use in 2007.

* cited by examiner

FIG. 1

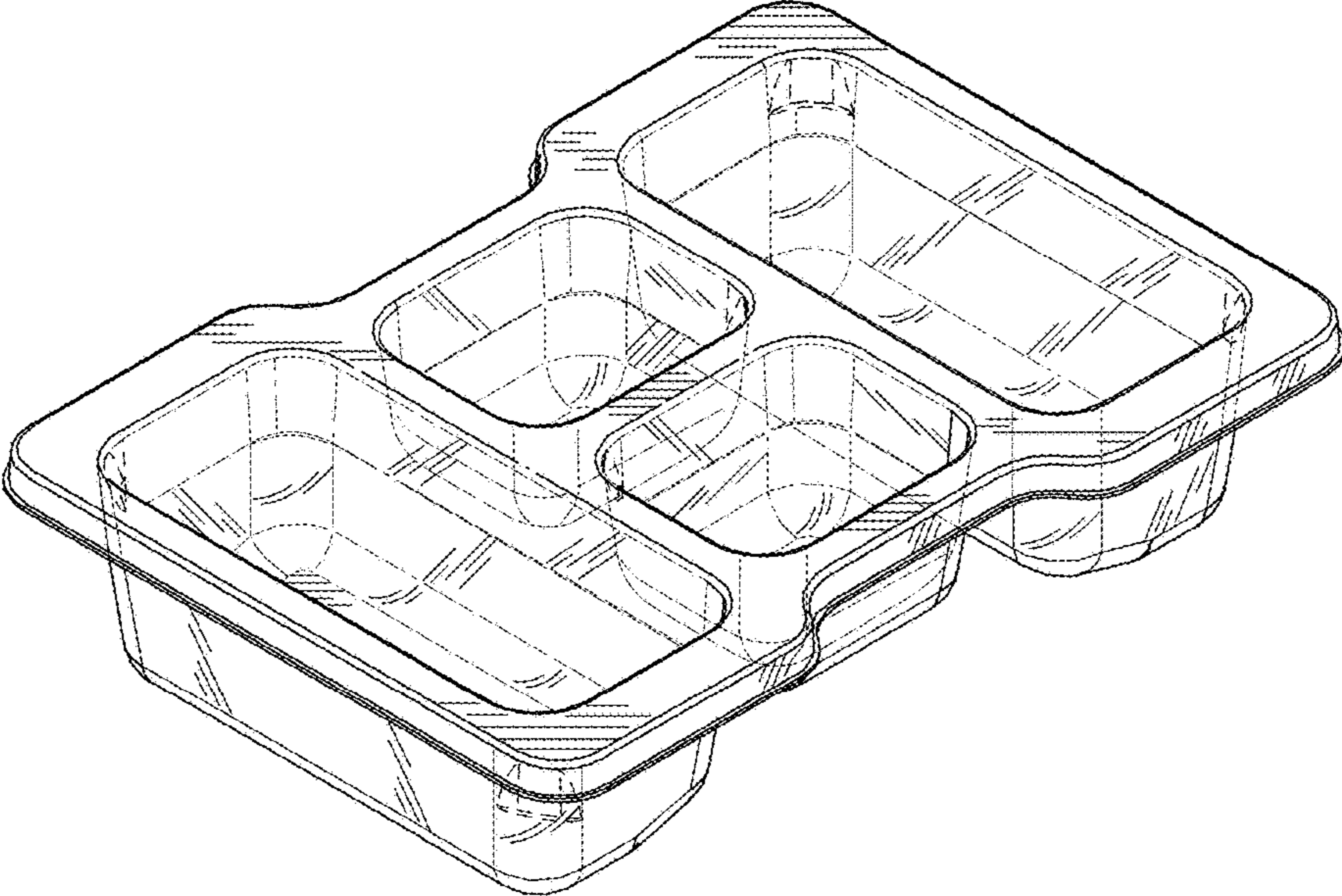


FIG. 2

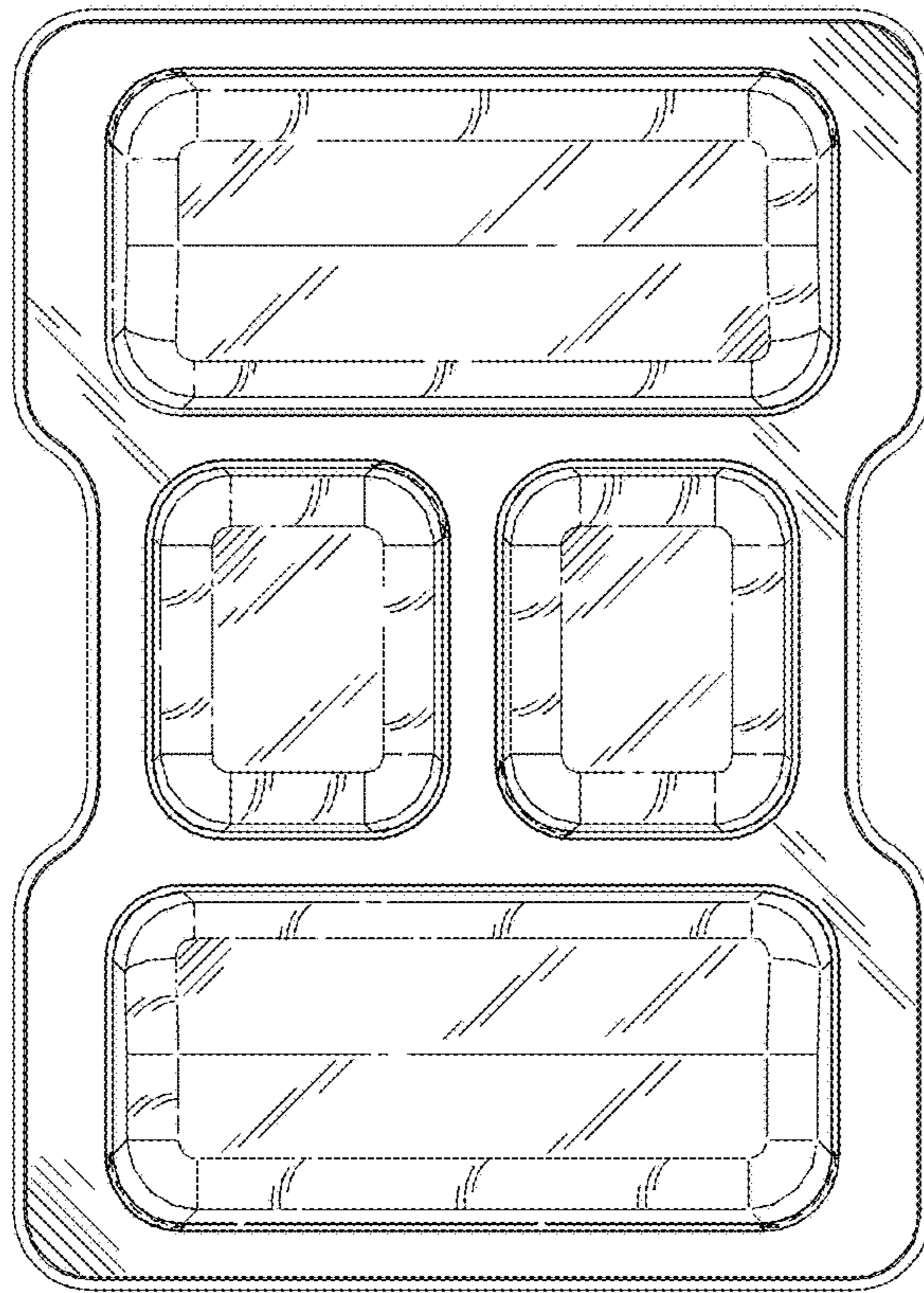


FIG. 3

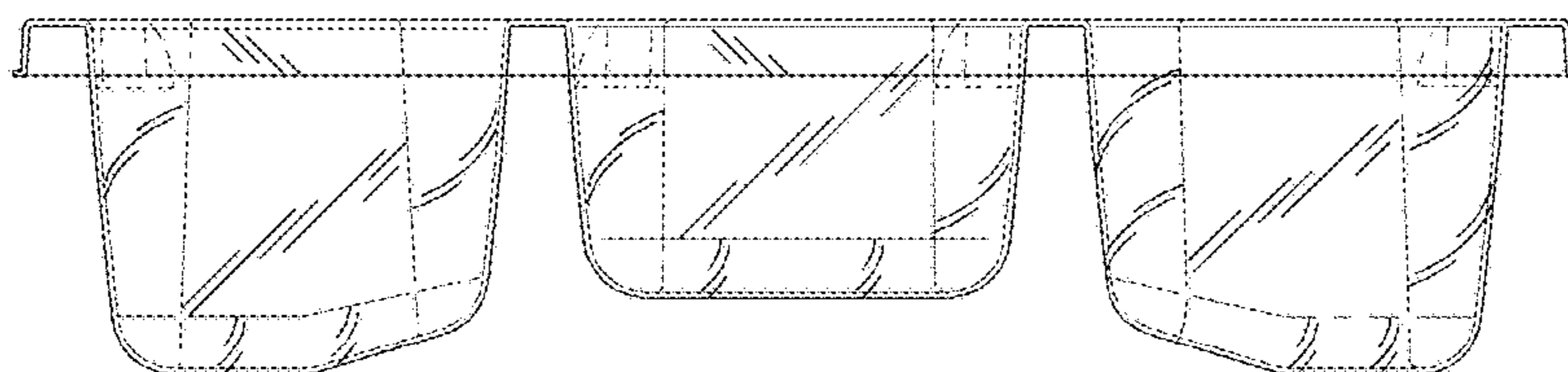


FIG. 4

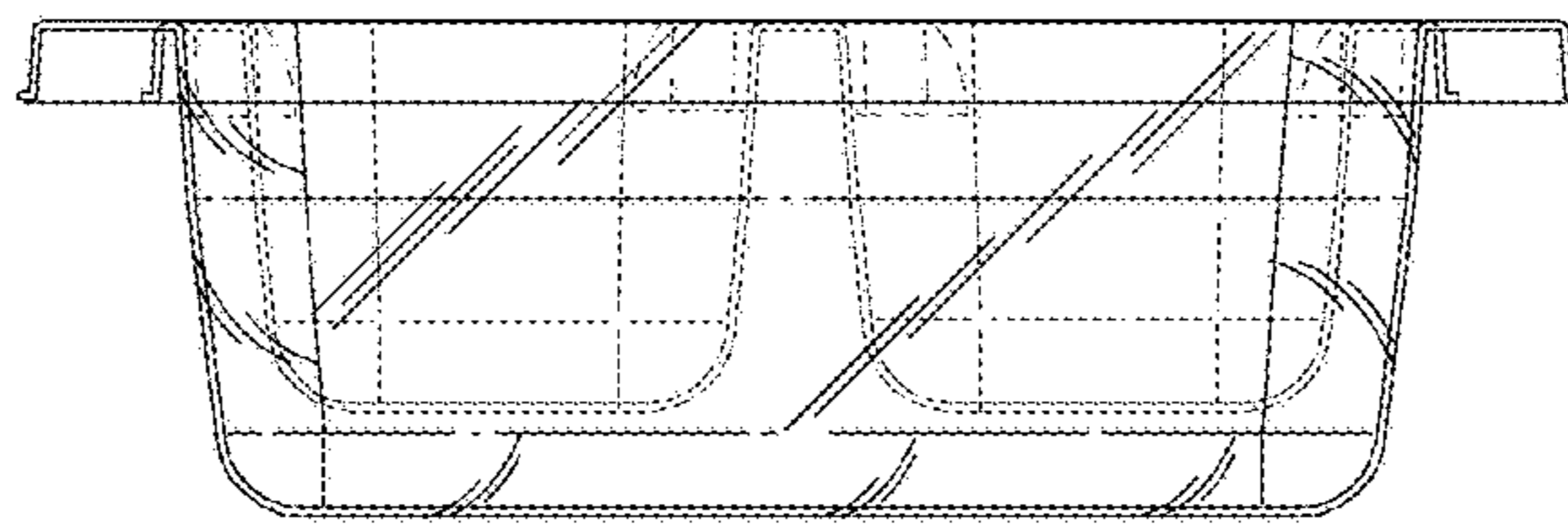


FIG. 5

