



US00D862245S

(12) **United States Design Patent**
Wiley

(10) **Patent No.:** **US D862,245 S**

(45) **Date of Patent:** **** Oct. 8, 2019**

(54) **BULK BAG**

(71) Applicant: **Jeff Wiley**, Tega Cay, SC (US)

(72) Inventor: **Jeff Wiley**, Tega Cay, SC (US)

(**) Term: **15 Years**

(21) Appl. No.: **29/536,245**

(22) Filed: **Aug. 14, 2015**

(51) **LOC (12) Cl.** **09-05**

(52) **U.S. Cl.**
USPC **D9/703**

(58) **Field of Classification Search**

USPC D9/702-714, 720-722, 424, 430-433,
D9/414, 418, 444; 383/26, 119, 127, 33,
383/71-75, 103; 229/87.06, 87.08, 87.01,
229/92.1; 222/92, 107, 215; 220/495.03,
220/495.01; D24/118, 121; 428/35.2,
428/79, 199, 542.6; 434/162
CPC B65D 1/00; B65D 33/00; B65D 29/00;
B65D 77/00; B65D 33/16; B65D 33/007;
B65D 33/1608; B65D 31/00; B65D
31/10; B65F 1/00; B65F 1/06; B65F
1/415; B65F 1/0006
See application file for complete search history.

(56) **References Cited**

U.S. PATENT DOCUMENTS

D639,182 S * 6/2011 Nixon D9/707
D698,237 S * 1/2014 De Pra D9/425

D698,238 S * 1/2014 De Pra D9/425
8,646,973 B2 2/2014 Schnaars
D726,534 S * 4/2015 Lo Faro D9/425

* cited by examiner

Primary Examiner — Abraham Bahta

(74) *Attorney, Agent, or Firm* — Schwartz Law Firm, P.C.

(57) **CLAIM**

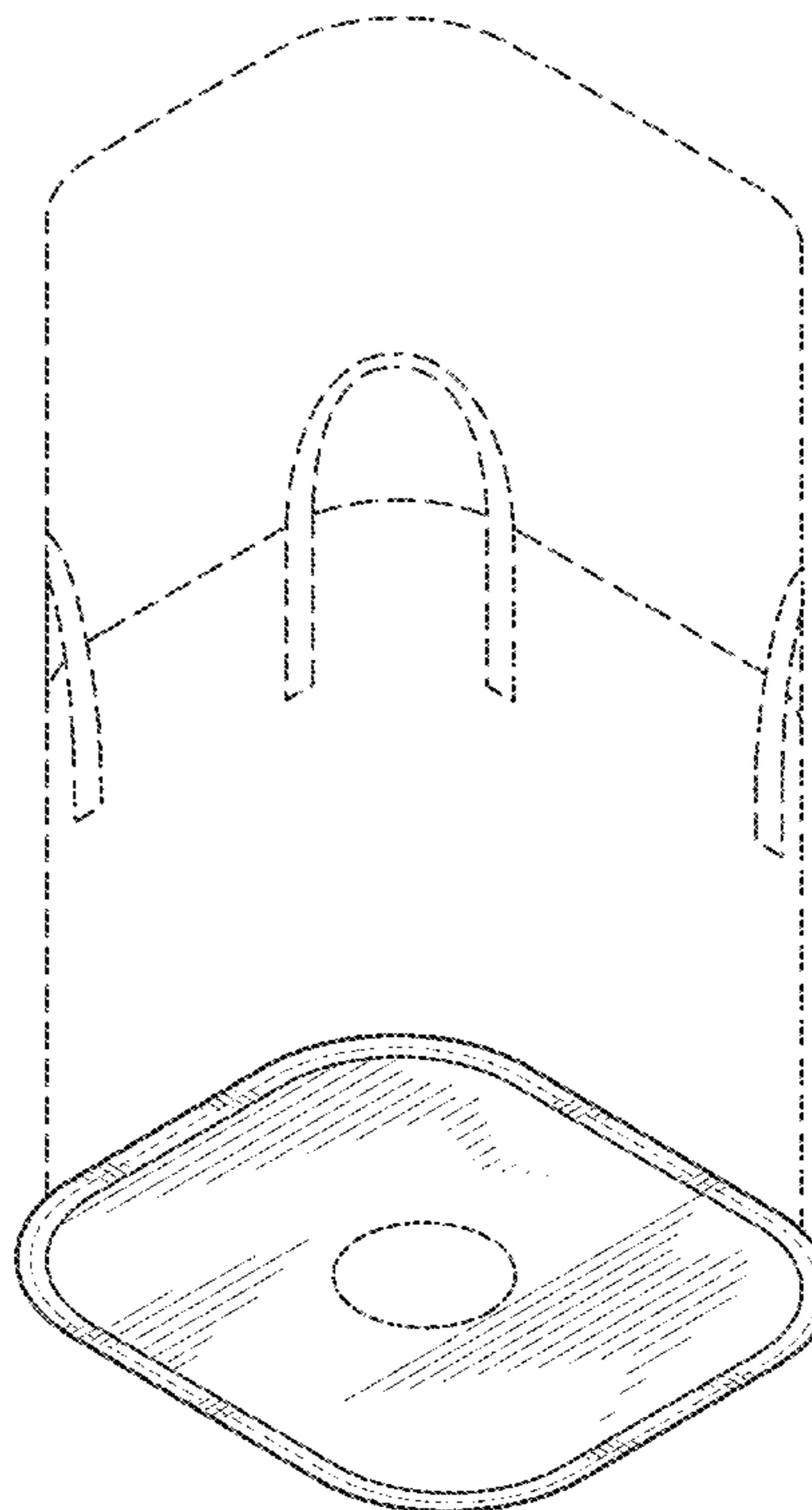
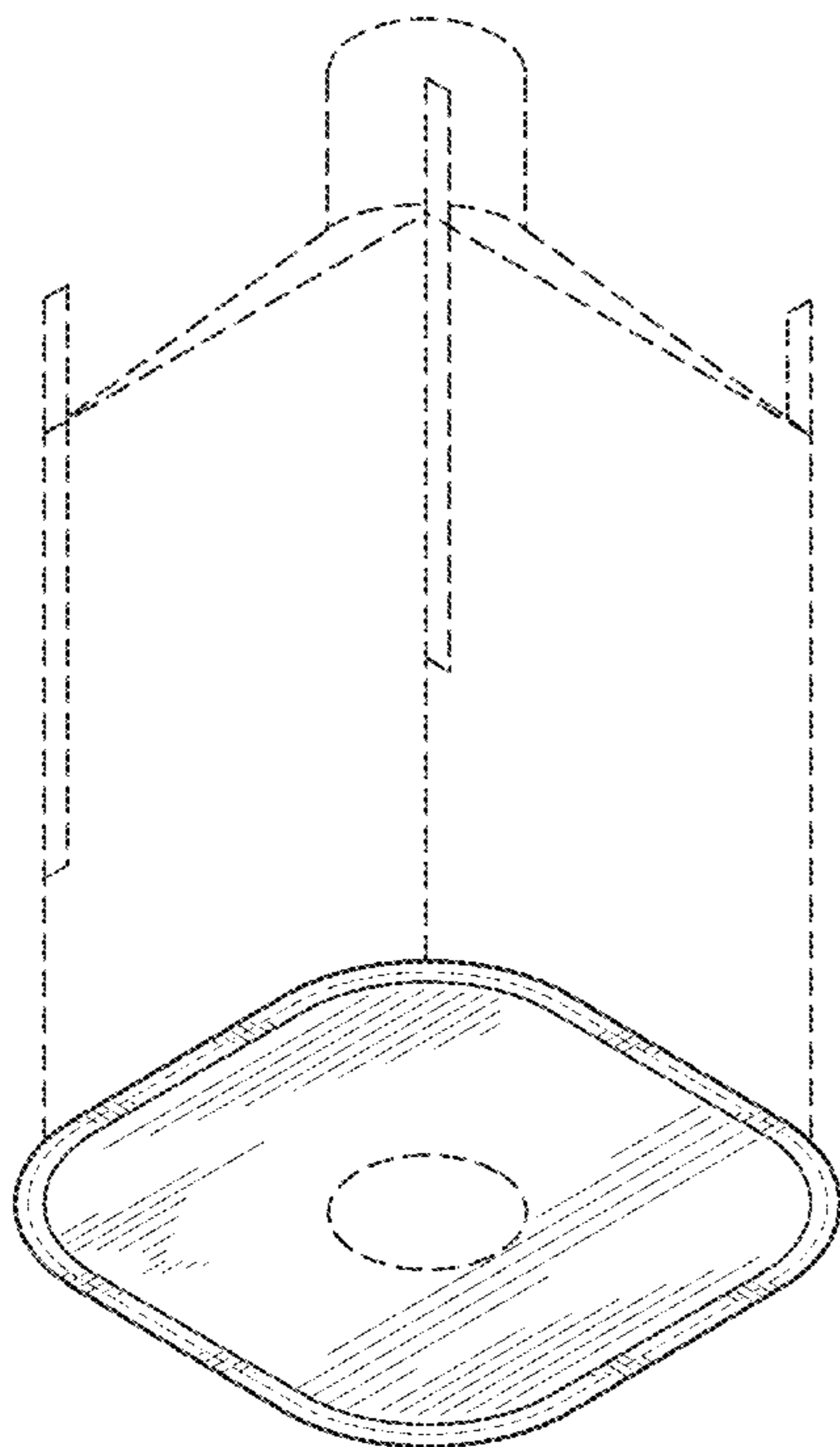
I claim the ornamental design for a bulk bag, as shown and described.

DESCRIPTION

FIG. 1 is a bottom perspective view of the bulk bag;
FIG. 2 is a top perspective view of the bulk bag;
FIG. 3 is a side view of the bulk bag;
FIG. 4 is a top view of the bulk bag;
FIG. 5 is a bottom view of the bulk bag;
FIG. 6 is a bottom perspective view of an alternative bulk bag according to the present design;
FIG. 7 is a top perspective view of the bulk bag shown in FIG. 6;
FIG. 8 is a top view of the bulk bag shown in FIG. 6;
FIG. 9 is a bottom view of the bulk bag shown in FIG. 6;
FIG. 10 is a first side view of the bulk bag shown in FIG. 6; and,
FIG. 11 is a second side view of the bulk bag shown in FIG. 6.

The structure of the bulk bag shown in broken line forms no part of the claimed design.

1 Claim, 9 Drawing Sheets



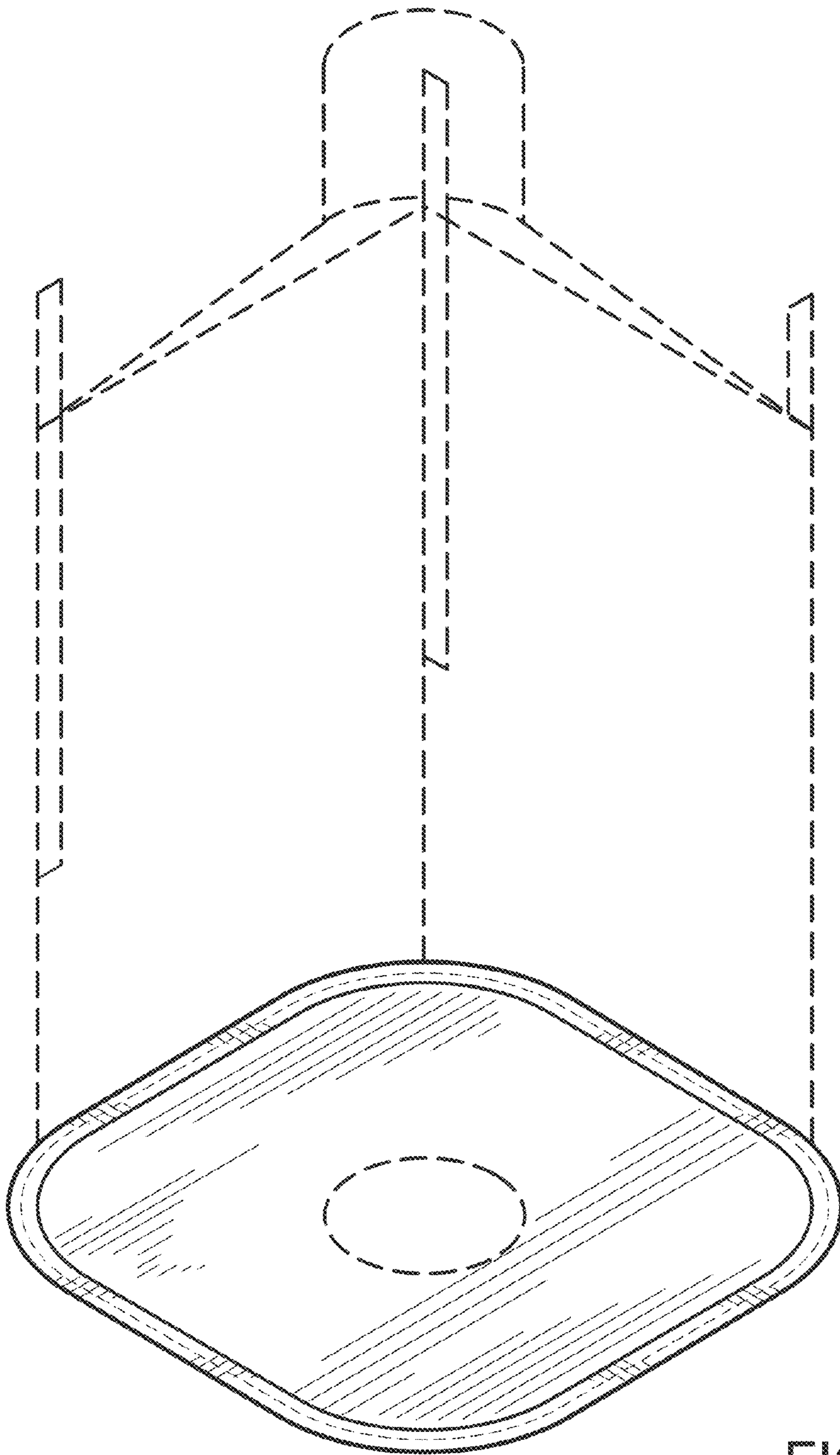


FIG. 1

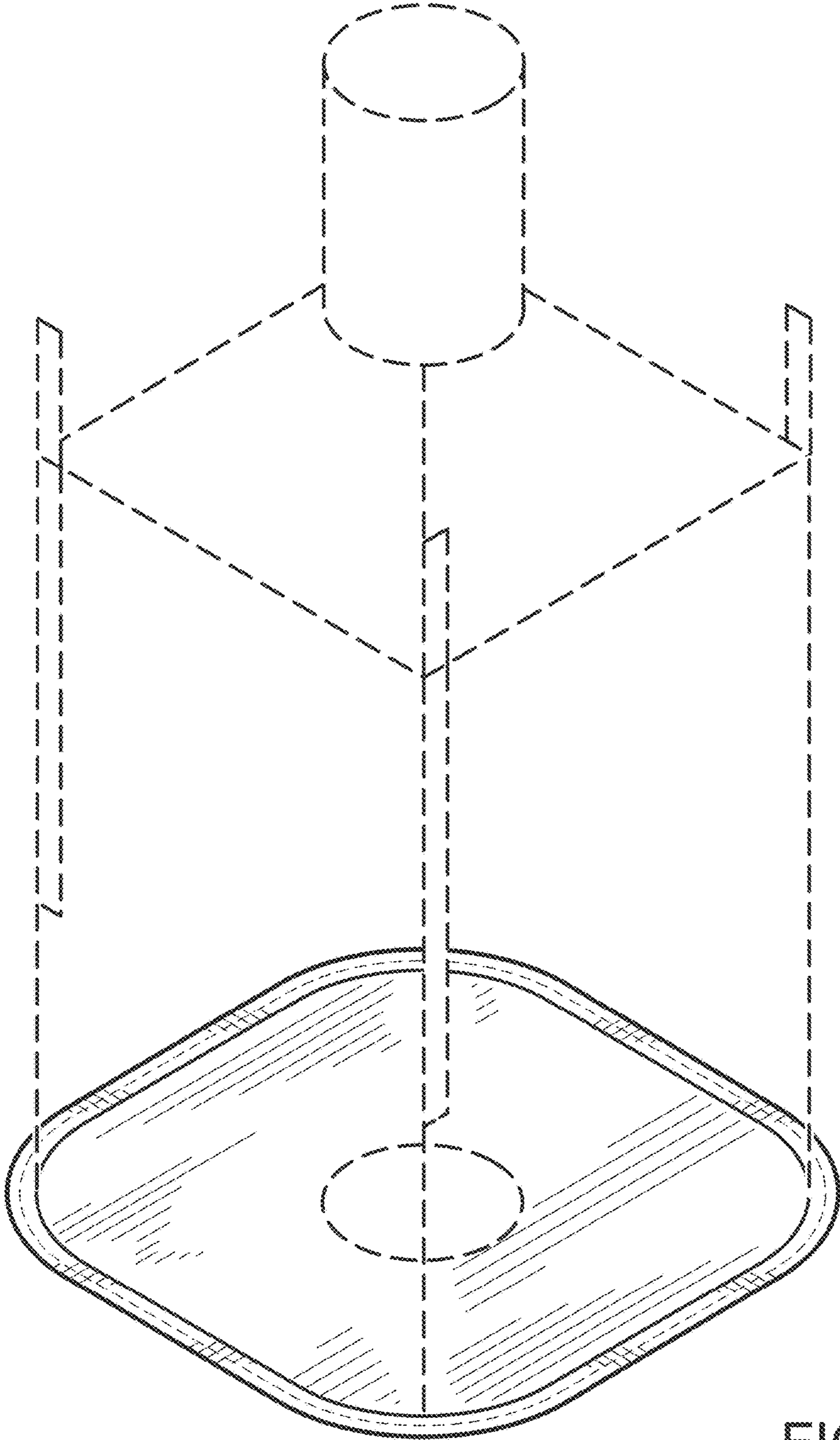


FIG. 2

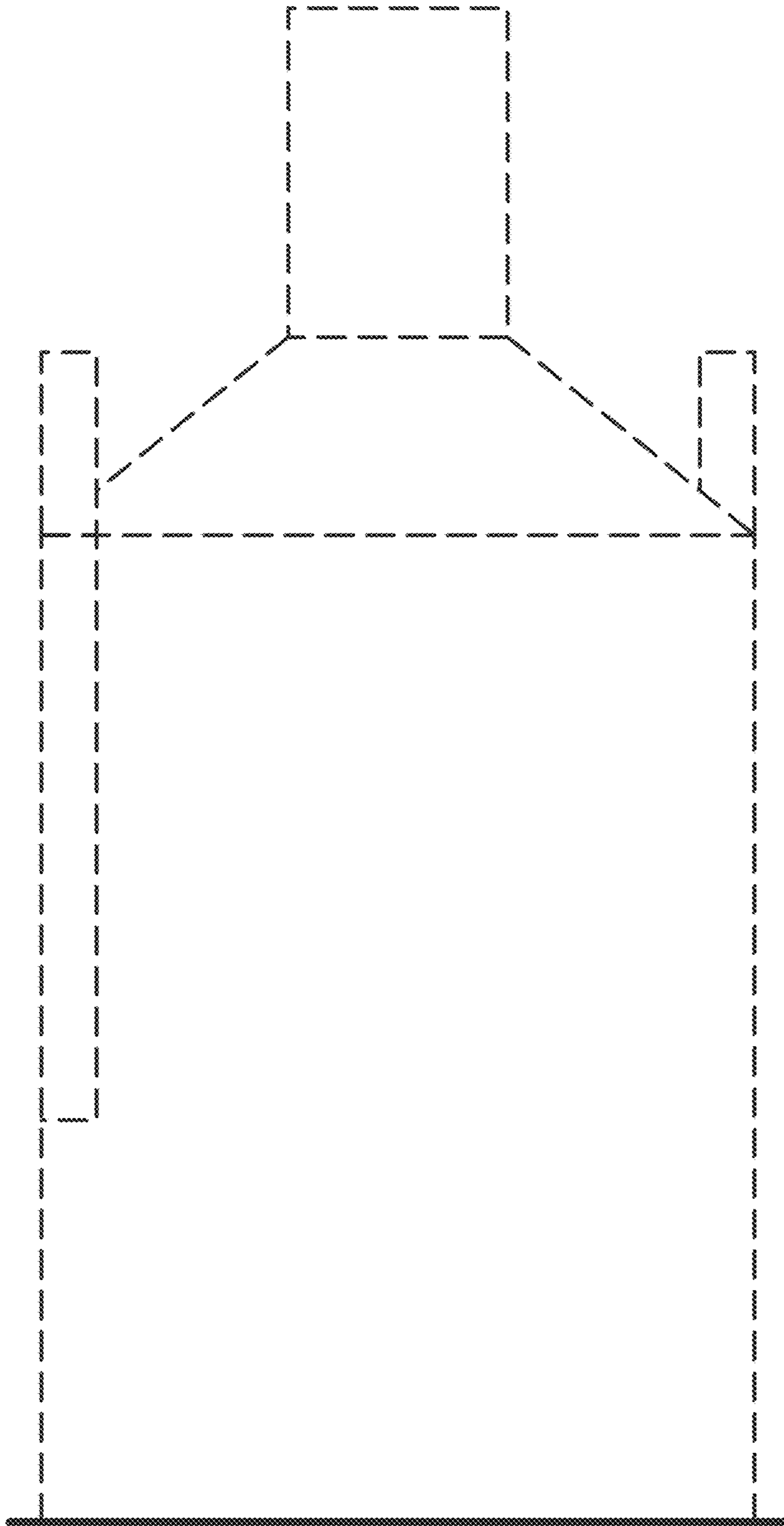


FIG. 3

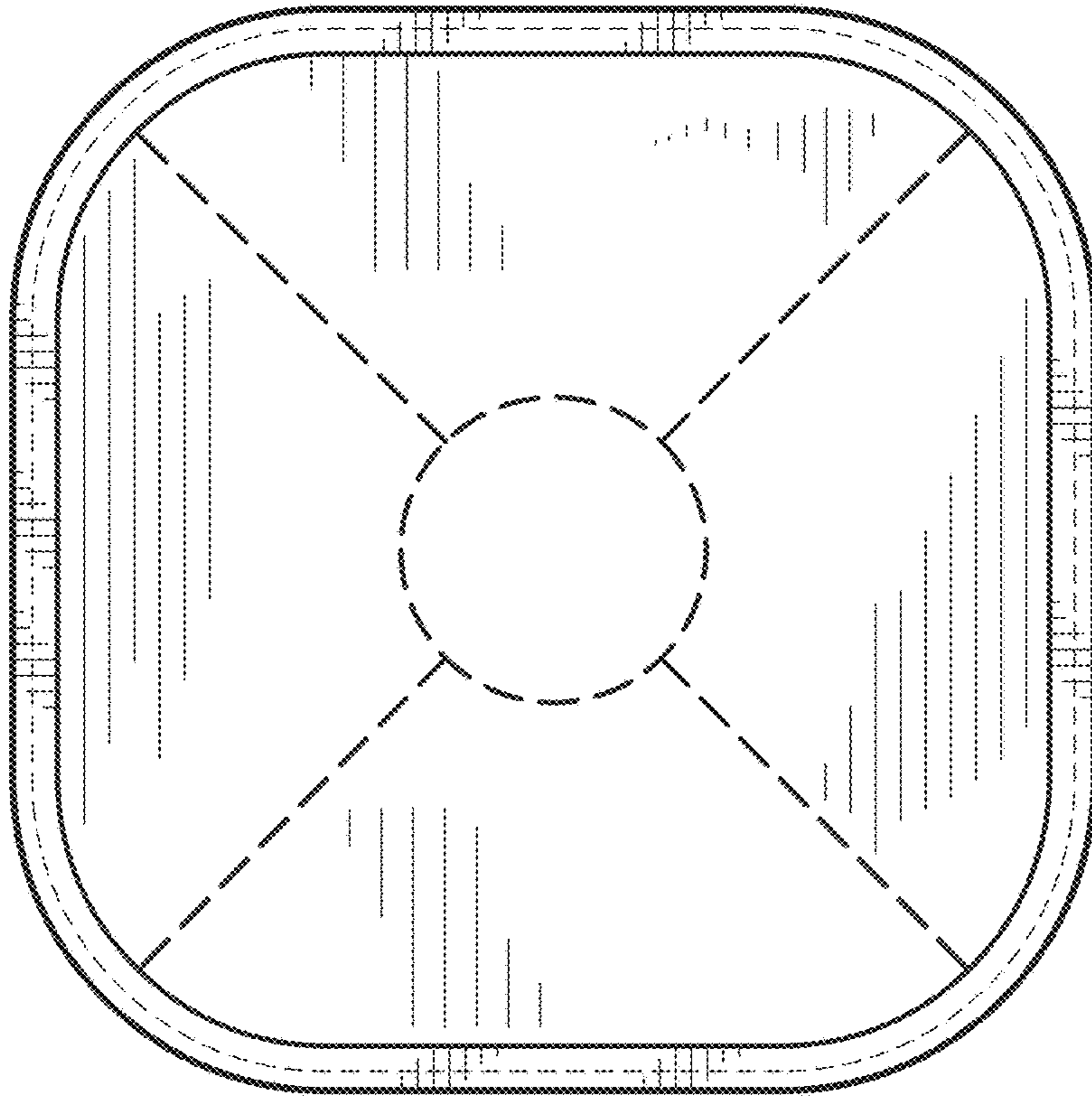


FIG. 4

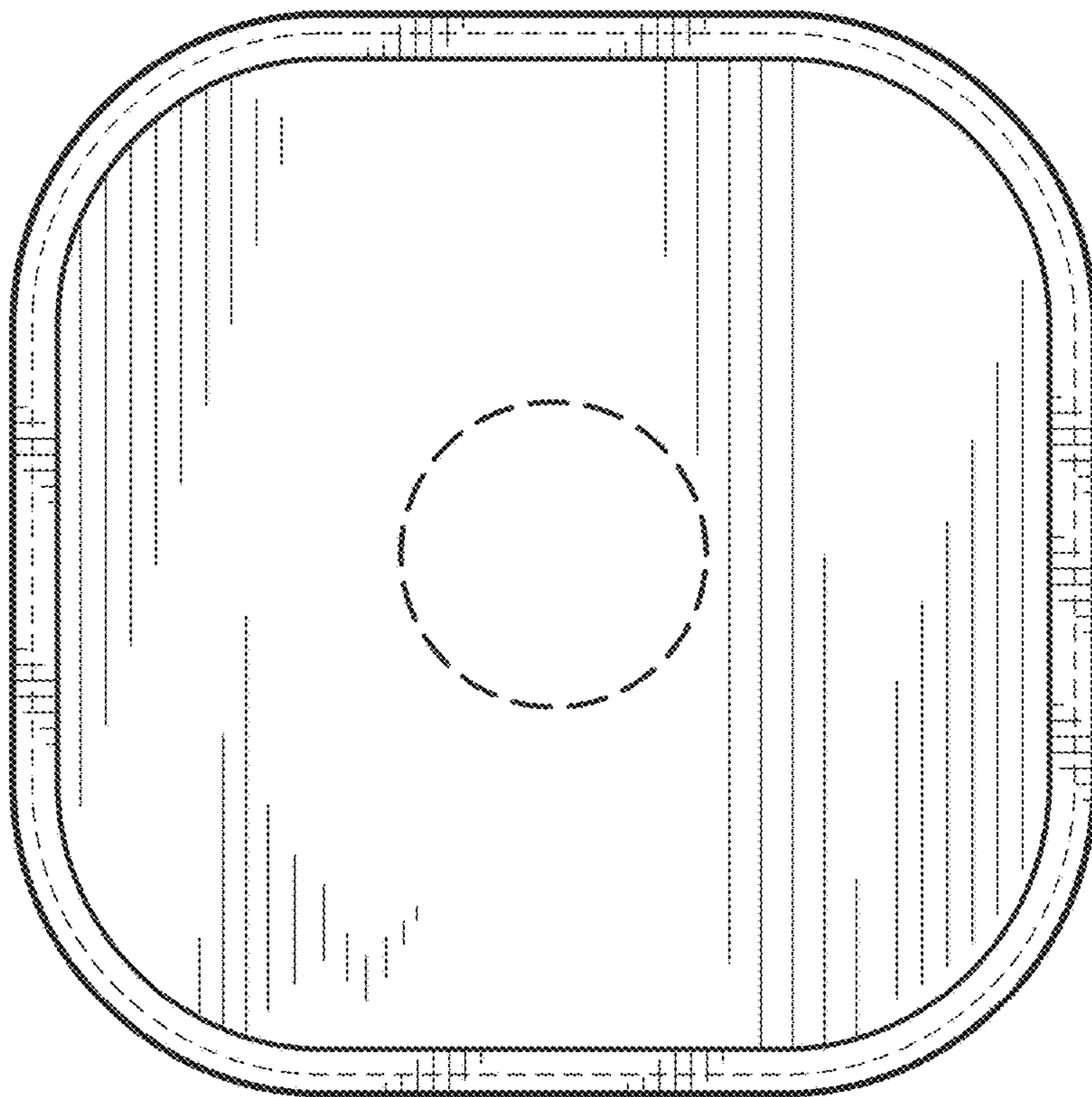


FIG. 5

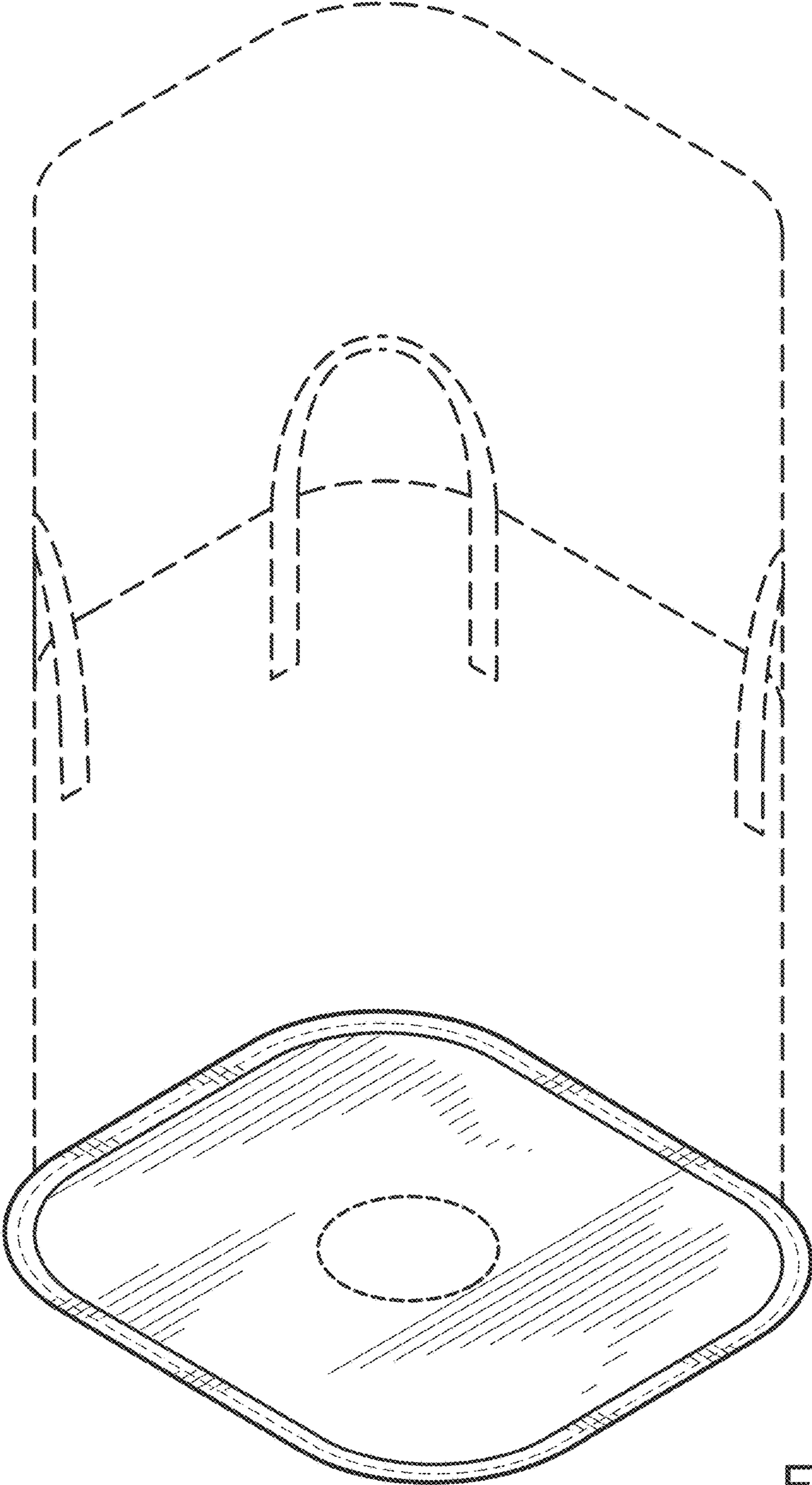


FIG. 6

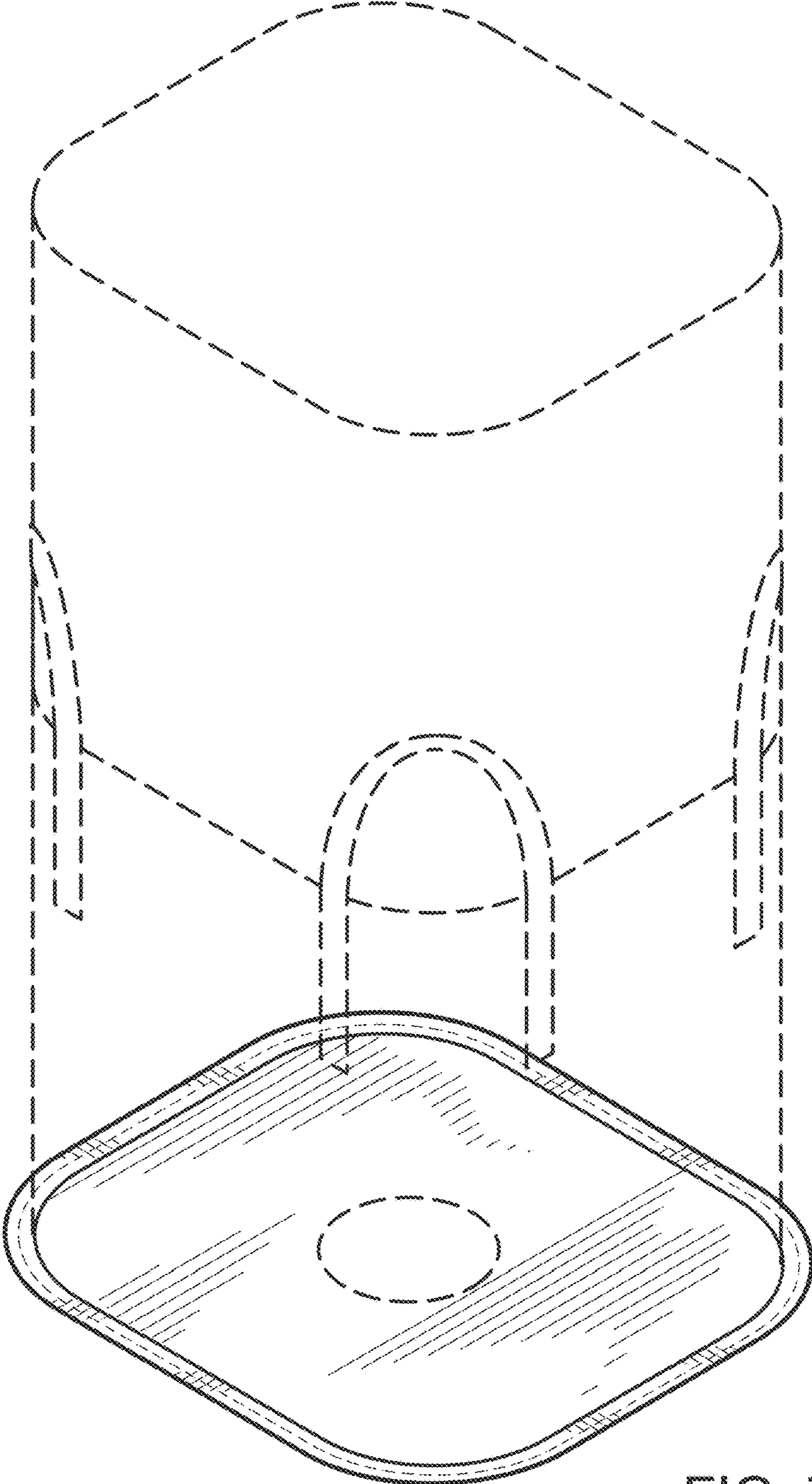


FIG. 7

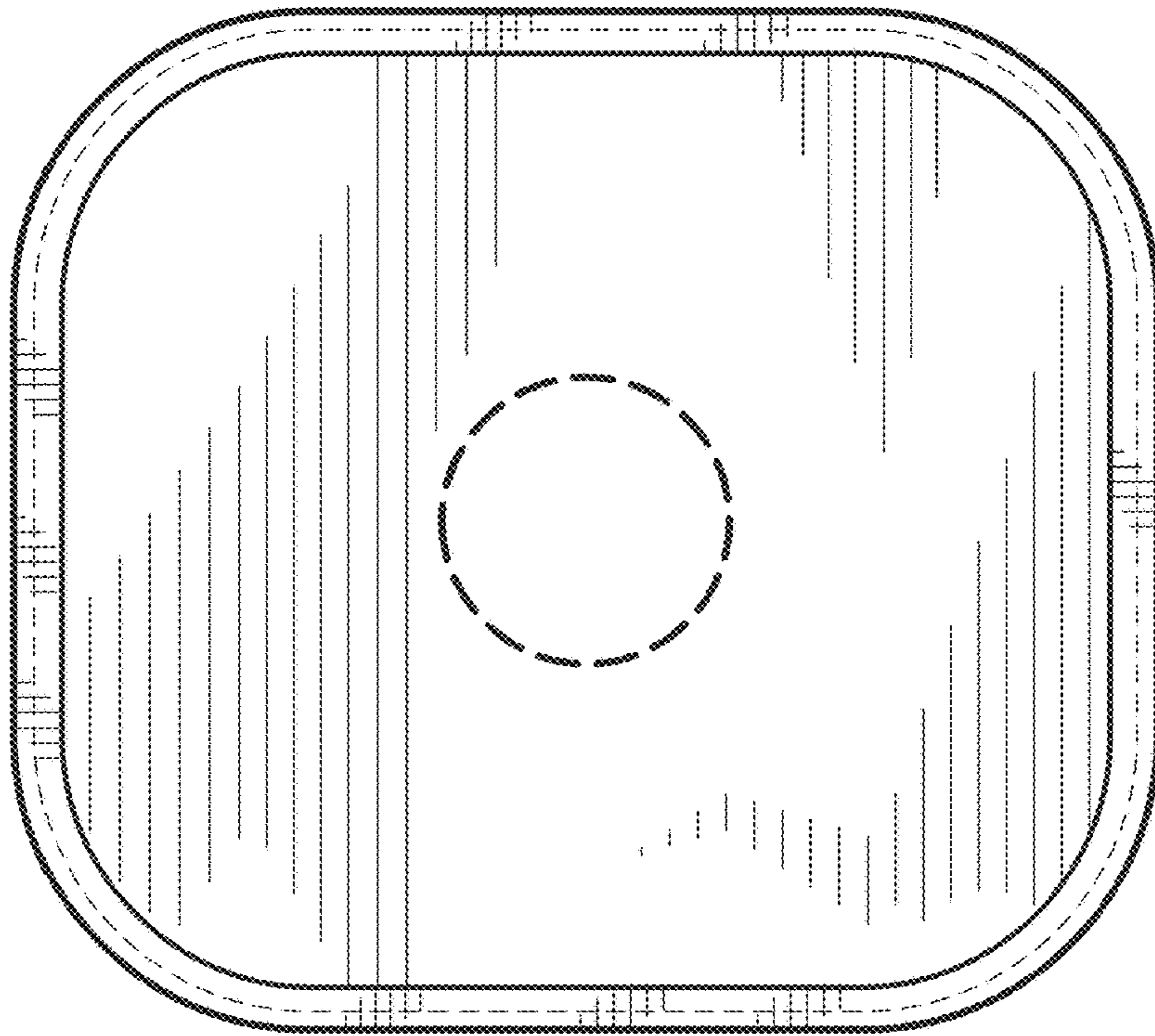


FIG. 8

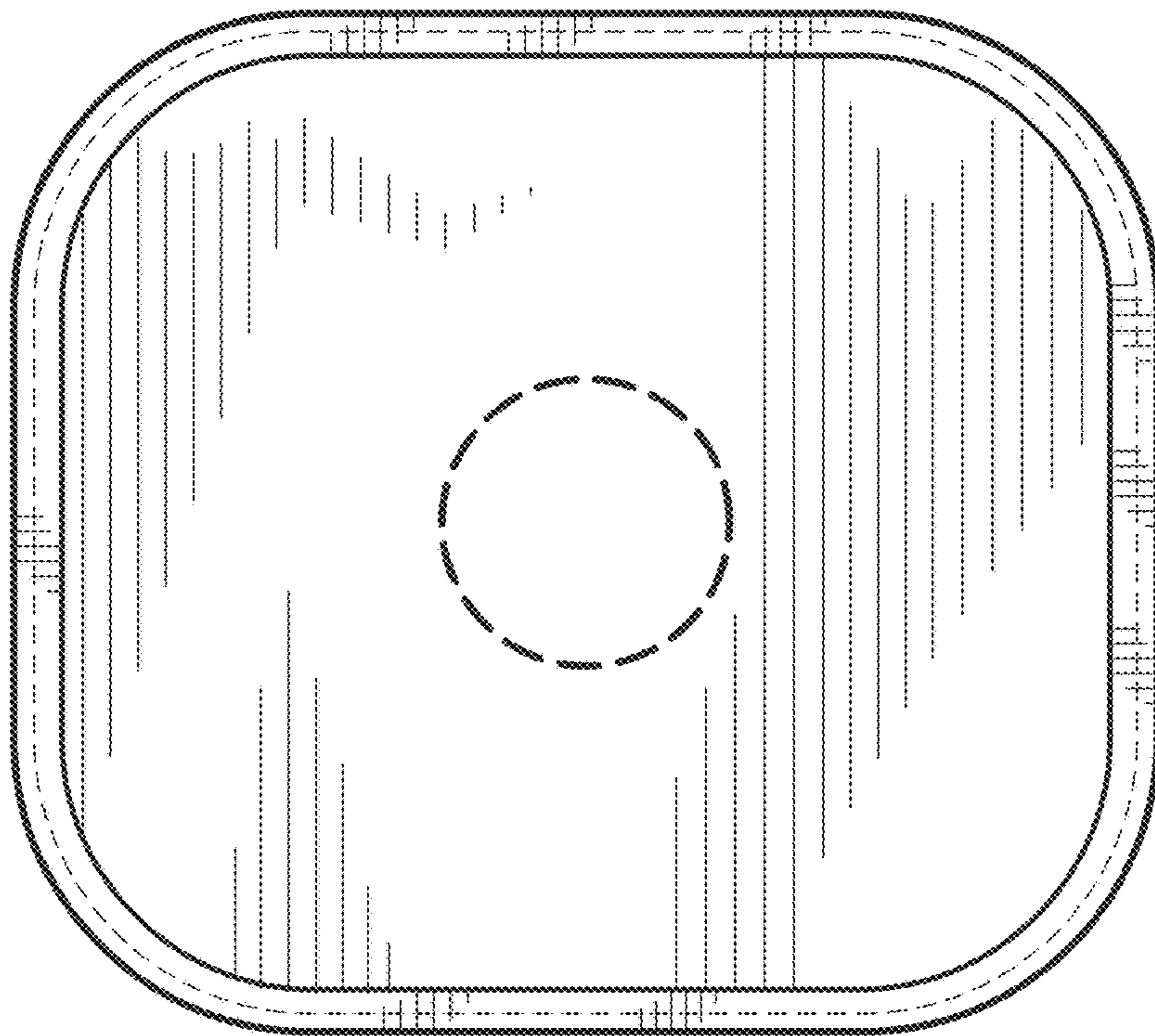


FIG. 9

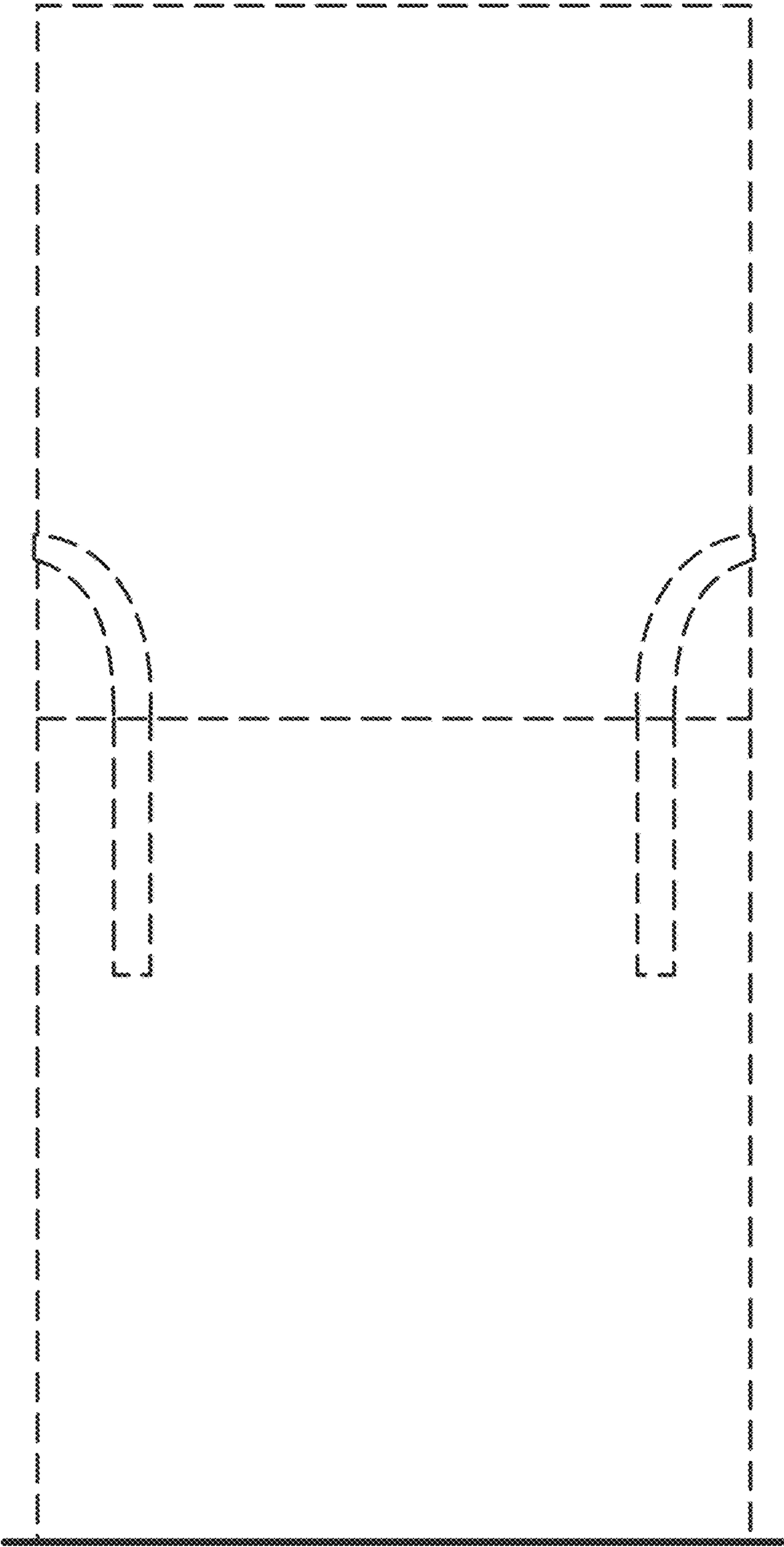


FIG. 10

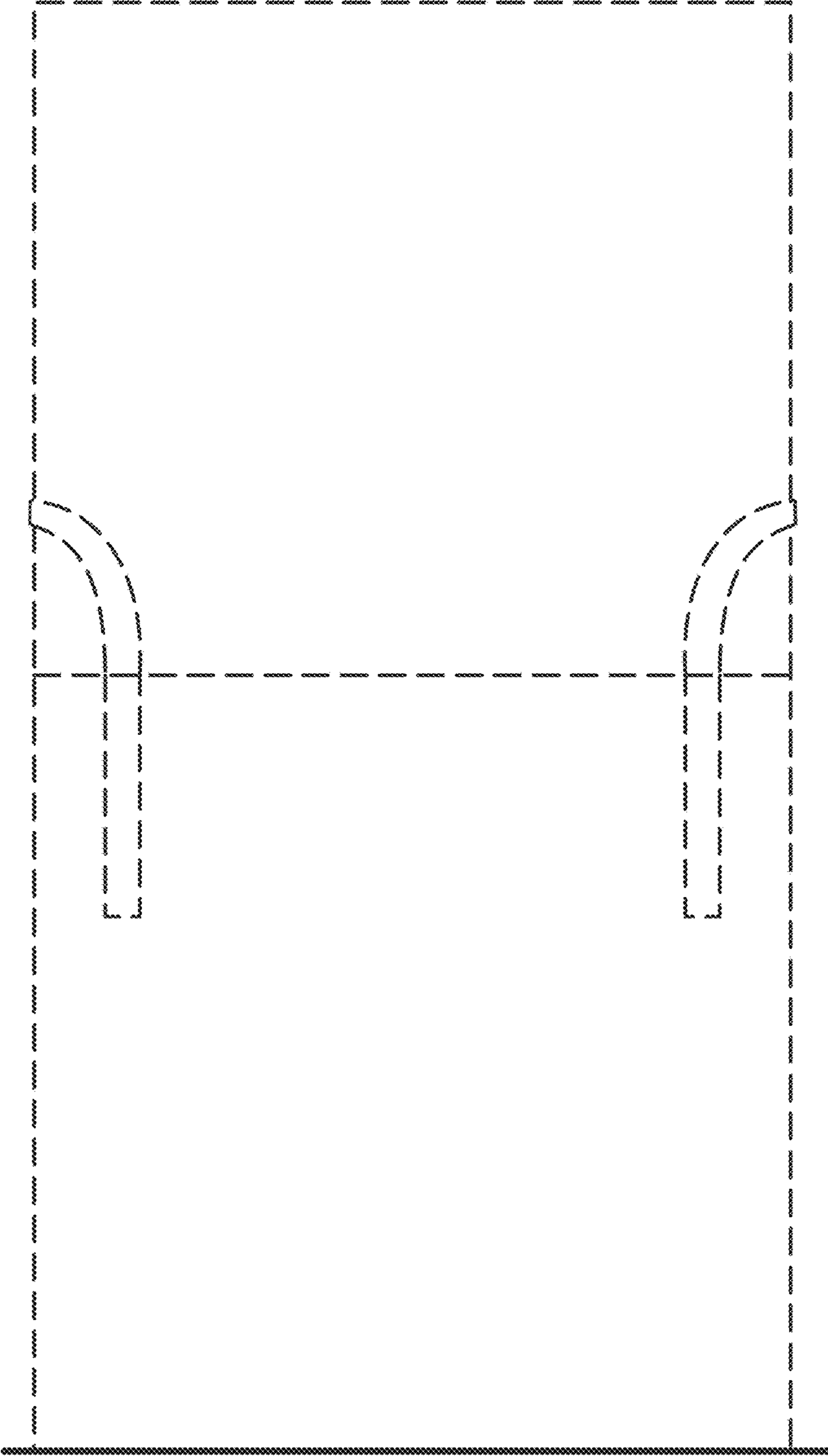


FIG. 11