



US00D862236S

(12) **United States Design Patent**  
**Feletto**

(10) **Patent No.:** **US D862,236 S**

(45) **Date of Patent:** **\*\* Oct. 8, 2019**

(54) **BOTTLE**

(71) Applicant: **VETROELITE SPA**, Ormelle (TV)  
(IT)

(72) Inventor: **Daniele Feletto**, Ormelle (IT)

(73) Assignee: **VETROELITE SPA**, Ormelle (TV)  
(IT)

(\*\*) Term: **15 Years**

(21) Appl. No.: **29/633,007**

(22) Filed: **Jan. 11, 2018**

(51) **LOC (12) Cl.** ..... **09-01**

(52) **U.S. Cl.**  
USPC ..... **D9/544**; D9/560; D9/574

(58) **Field of Classification Search**  
USPC ..... D9/516, 520, 544, 546, 559, 560, 563,  
D9/574, 715, 719; D7/300, 601, 602,  
D7/619.1

CPC . B65D 1/00; B65D 1/02; B65D 1/023; B65D  
1/0223; B65D 1/0276

See application file for complete search history.

(56) **References Cited**

**U.S. PATENT DOCUMENTS**

D698,255 S \* 1/2014 Gonzalez Rodriguez .... D9/560  
D698,256 S \* 1/2014 Thompson ..... D9/546  
D714,652 S \* 10/2014 Shaw ..... D9/544

D719,455 S \* 12/2014 Perez-Cabrera ..... D9/559  
D719,457 S \* 12/2014 Perez-Cabrera ..... D9/560  
D724,952 S \* 3/2015 Humm ..... D9/454  
D748,487 S \* 2/2016 Fitts ..... D9/560  
D751,411 S \* 3/2016 Austin ..... D9/560  
D766,091 S \* 9/2016 Maillet ..... D9/560  
D766,092 S \* 9/2016 Maillet ..... D9/544  
D769,724 S \* 10/2016 Guerin ..... D9/543  
D790,351 S \* 6/2017 Maillet ..... D9/560  
D798,725 S \* 10/2017 Stoiber ..... D9/560  
D802,434 S \* 11/2017 Thompson ..... D9/560  
D808,278 S \* 1/2018 Vindevogel ..... D9/544  
D811,231 S \* 2/2018 Thompson ..... D9/560  
D820,102 S \* 6/2018 Lee ..... D9/560

\* cited by examiner

*Primary Examiner* — Ian Simmons

*Assistant Examiner* — Keith Frank

(74) *Attorney, Agent, or Firm* — Egbert, McDaniel &  
Swartz, PLLC

(57) **CLAIM**

The ornamental design for a bottle, as shown and described.

**DESCRIPTION**

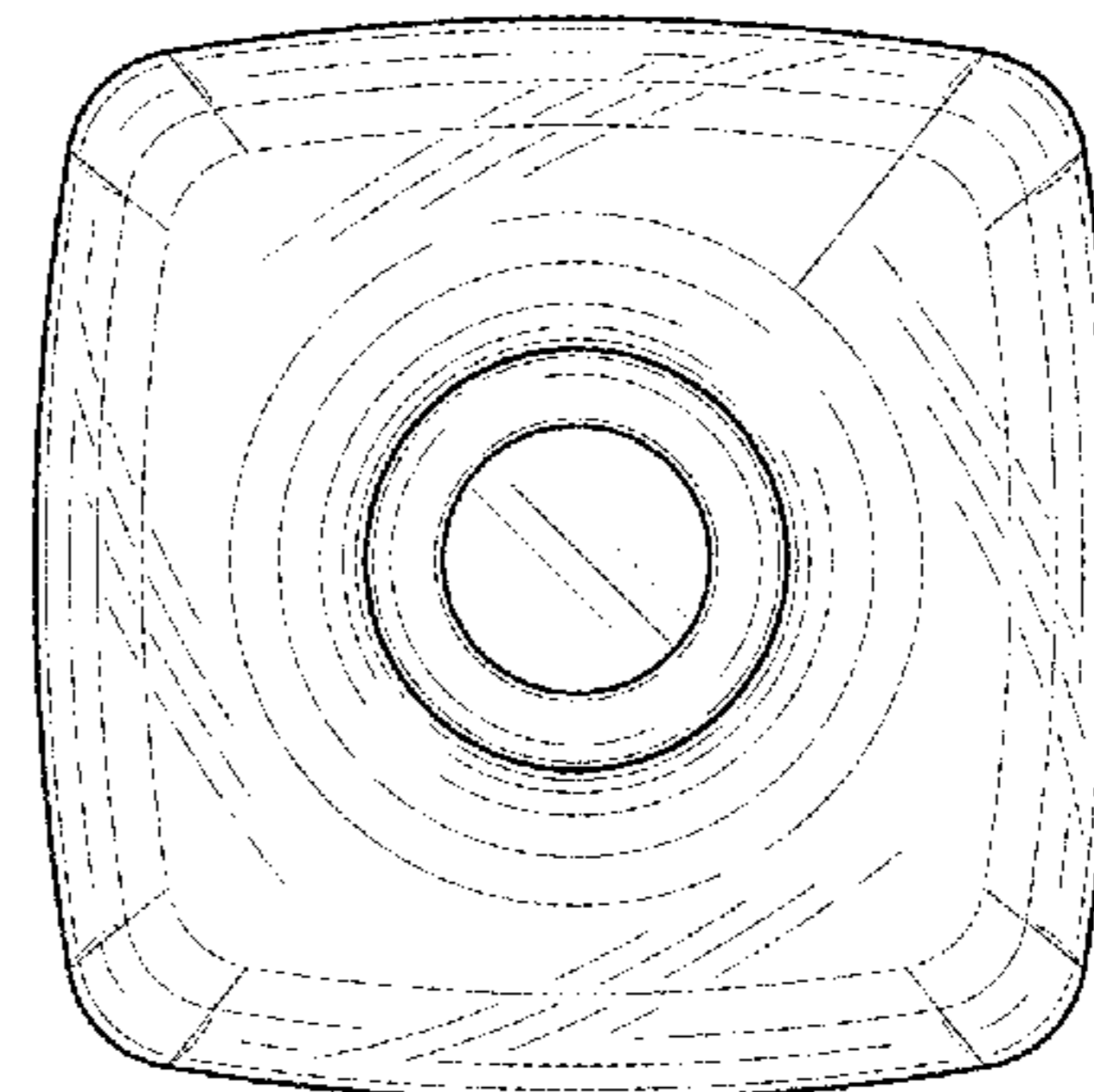
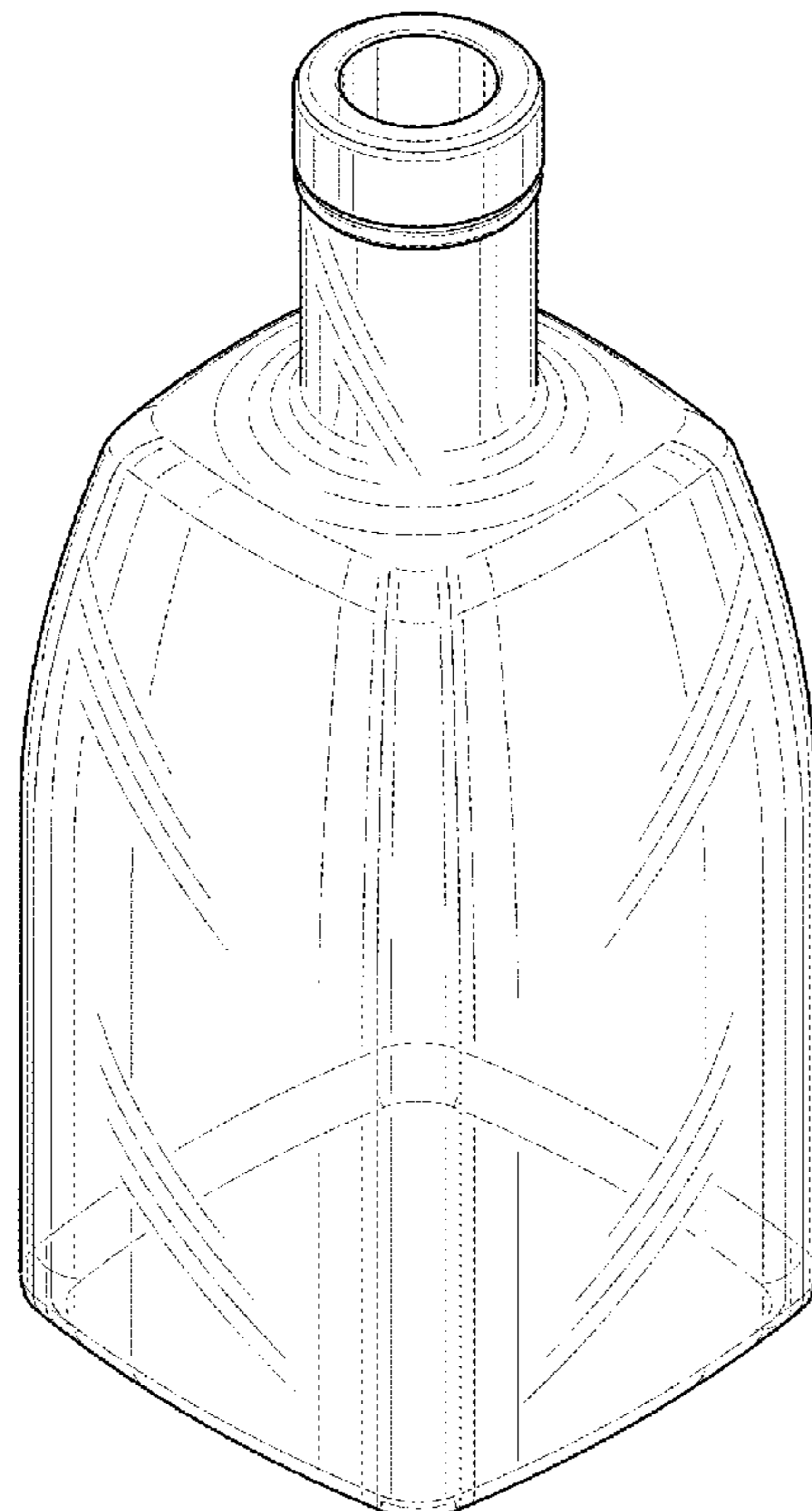
FIG. 1 is a perspective view of a bottle showing my new design.

FIG. 2 is a front view thereof, a rear view being identical; FIG. 3 is a side view thereof, an opposite side view being identical;

FIG. 4 is a top view thereof; and,

FIG. 5 is a bottom view thereof.

**1 Claim, 2 Drawing Sheets**



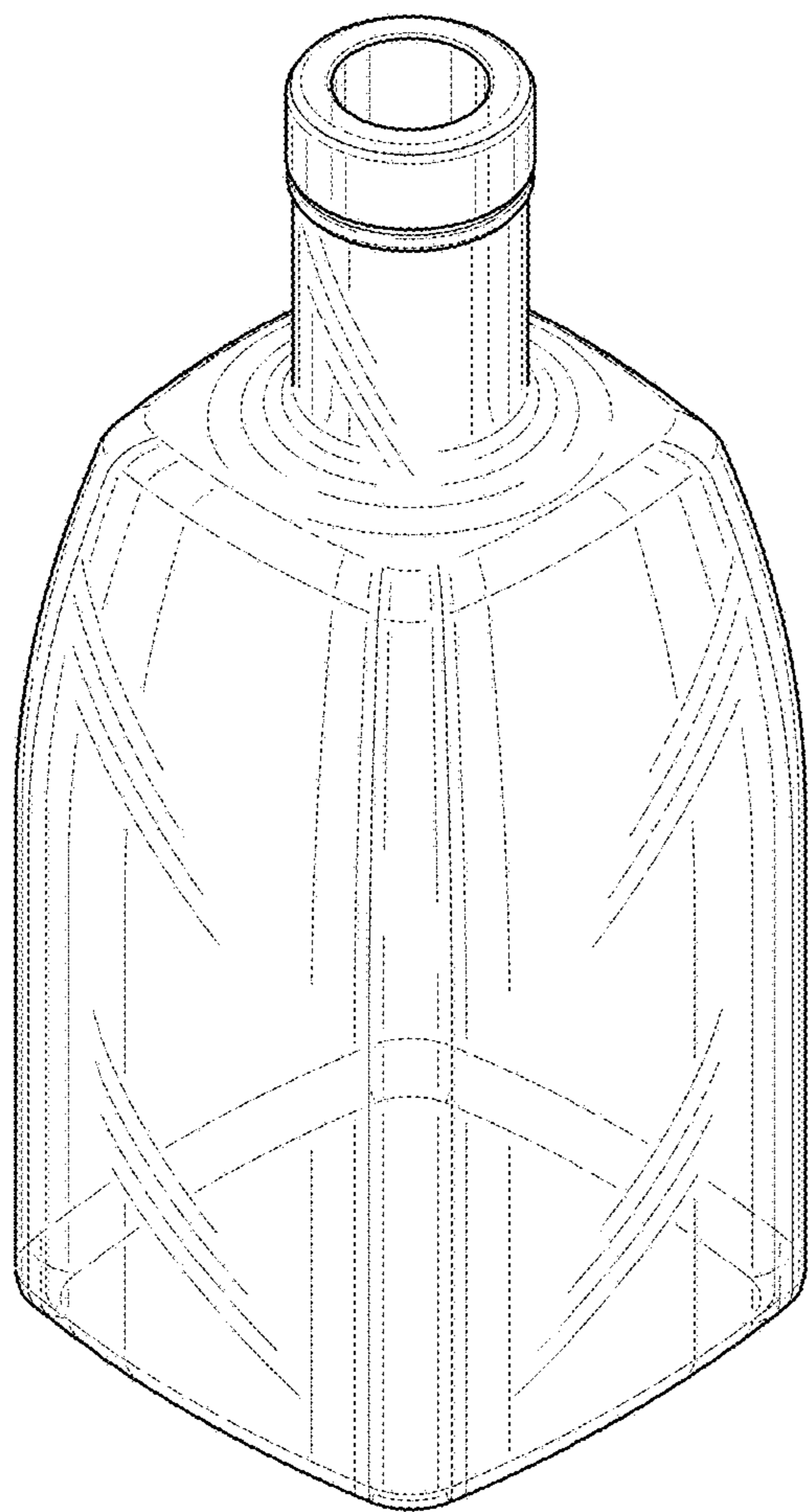


FIG. 1

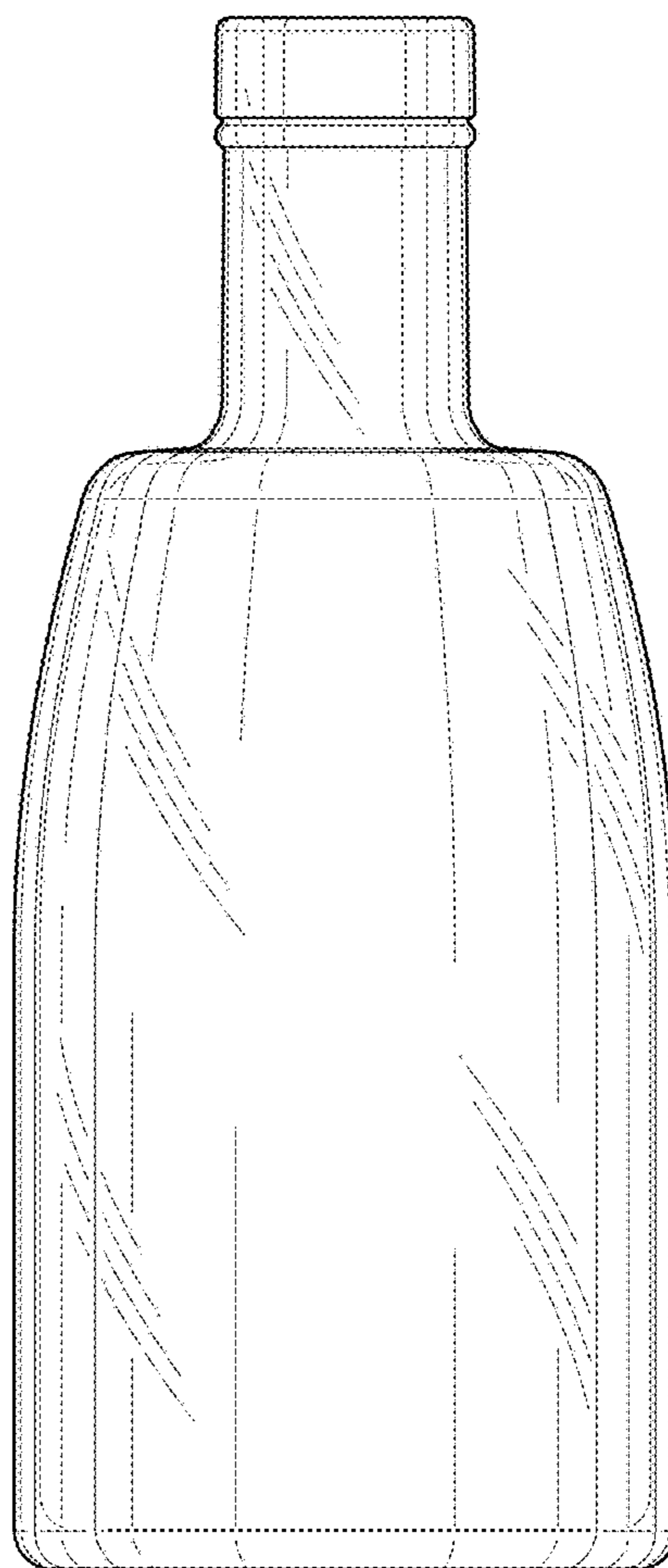


FIG. 2

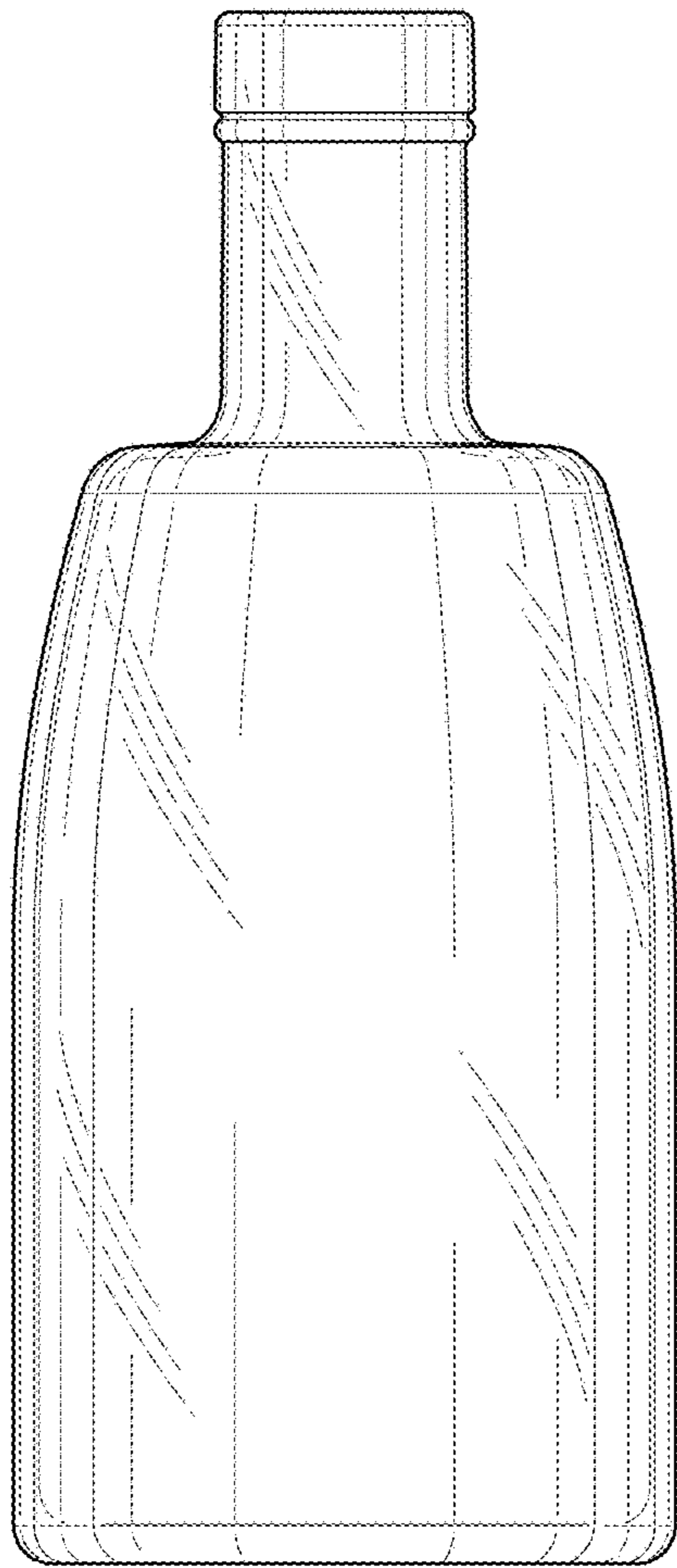


FIG. 3

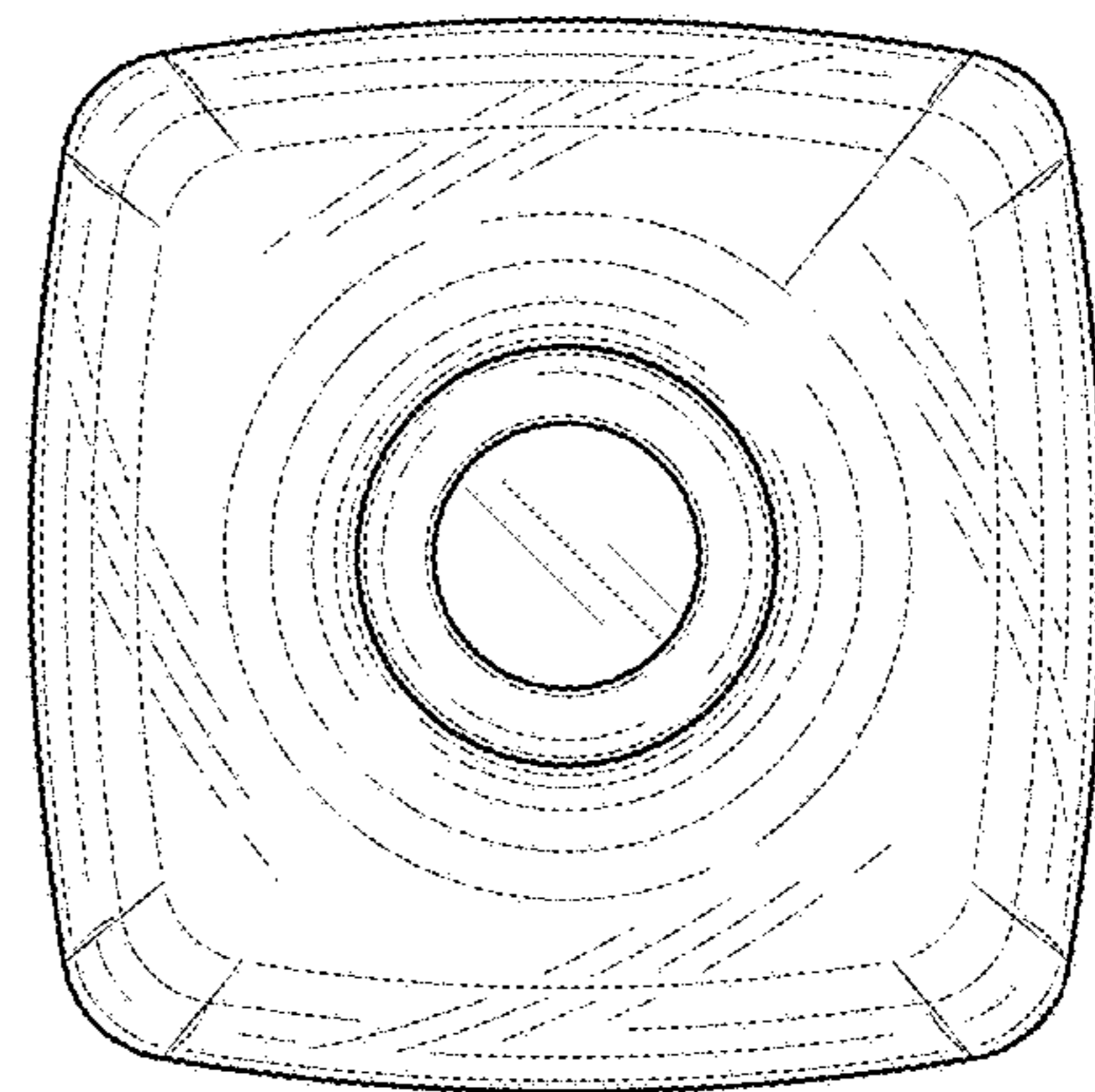


FIG. 4

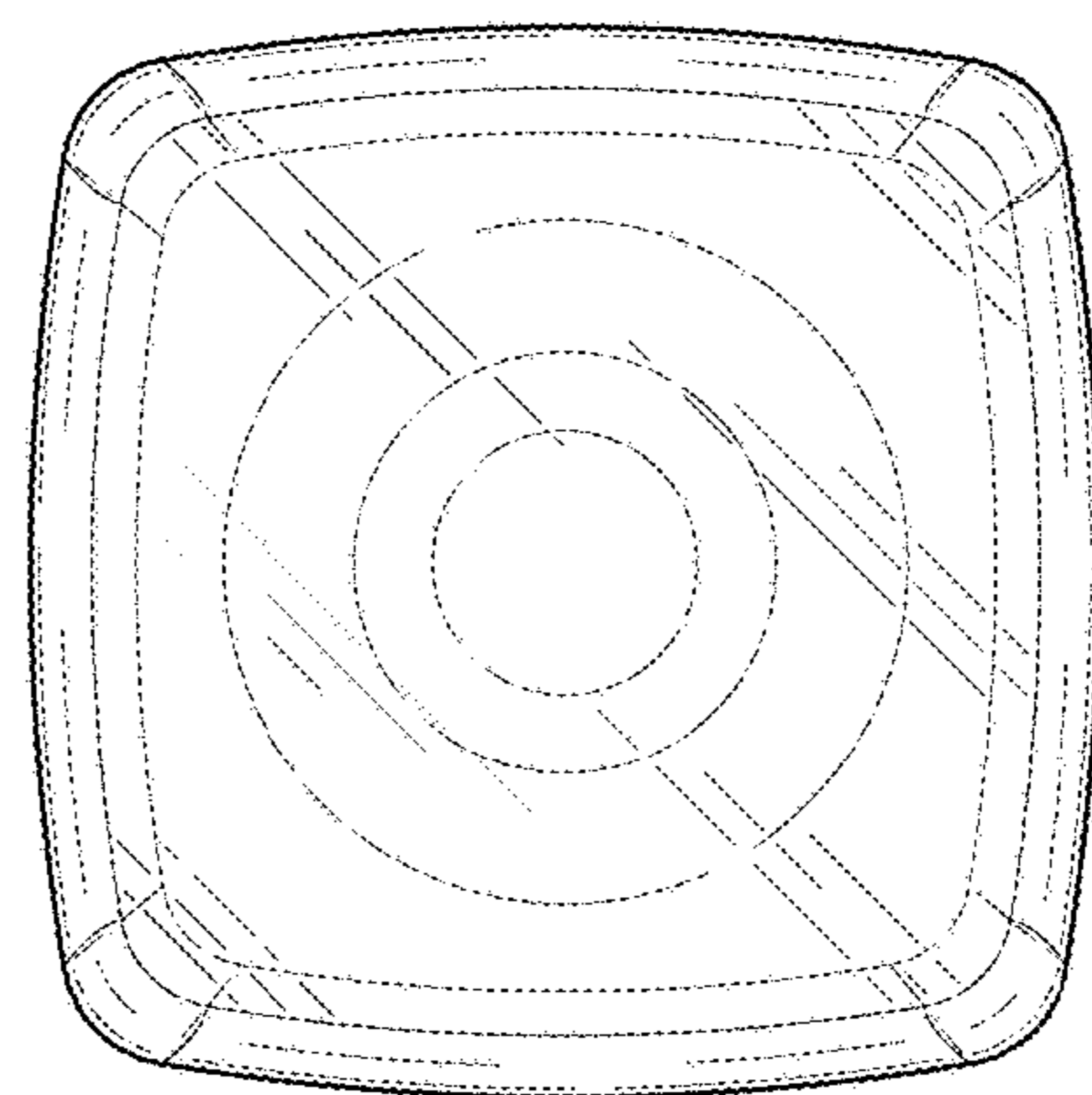


FIG. 5