



US00D862234S

(12) **United States Design Patent**
Harris et al.

(10) **Patent No.:** **US D862,234 S**
(45) **Date of Patent:** **** Oct. 8, 2019**

- (54) **CONTAINER**
- (71) Applicant: **Owens-Brockway Glass Container Inc.**, Perrysburg, OH (US)
- (72) Inventors: **Paul Harris**, Toledo, OH (US); **Raul M. Paredes**, Perrysburg, OH (US); **Douglas Laib**, Perrysburg, OH (US); **Lara Koenick**, Boyd, MD (US); **Andrew Birkhoff**, Columbus, OH (US); **Young Lee**, Perrysburg, OH (US)
- (73) Assignee: **Owens-Brockway Glass Container, Inc.**, Perrysburg, OH (US)
- (**) Term: **15 Years**
- (21) Appl. No.: **29/692,399**
- (22) Filed: **May 24, 2019**

Related U.S. Application Data

- (62) Division of application No. 29/628,661, filed on Dec. 6, 2017.
- (51) **LOC (12) Cl.** **09-01**
- (52) **U.S. Cl.**
USPC **D9/516; D9/500**
- (58) **Field of Classification Search**
USPC D9/500, 502–505, 516, 530, 537,
D9/539–540, 544–546, 549, 550, 558,
D9/715, 719
CPC B65D 1/00; B65D 1/02; B65D 1/0223;
B65D 23/00; B65D 81/00; B65D
2501/00; B65D 2501/0009
See application file for complete search history.

(56) **References Cited**

U.S. PATENT DOCUMENTS

- D48,813 S * 4/1916 Dawson 215/383
- D50,296 S * 2/1917 Dawson D9/545

- D50,297 S * 2/1917 Dawson D9/545
- D50,298 S * 2/1917 Dawson D9/545
- D50,299 S * 2/1917 Dawson D9/545
- D97,218 S * 10/1935 Wise D9/502
- D110,030 S * 6/1938 Lilienthal D9/545
- D418,051 S * 12/1999 van Wyk D9/500
- D434,661 S * 12/2000 Zambrano D9/500
- D476,571 S * 7/2003 Lince D9/500
- D568,746 S * 5/2008 Goldsmith D9/500
- D623,534 S * 9/2010 Shearsby D9/503
- D625,609 S * 10/2010 Shearsby D9/503
- D626,419 S * 11/2010 Adamson D9/454

(Continued)

OTHER PUBLICATIONS

“Winch”, Downloads: Product Sheets, Spirits. Saverglass Inc., retrieved Jan. 2018, Downloaded file dated Feb. 2014, 2 pages, < <https://www.saverglass.com/en/downloads> >.*

Primary Examiner — Dana Meyrow

(57) **CLAIM**

We claim the ornamental design for a container, as shown and described.

DESCRIPTION

FIG. 1 is a perspective view of a container in accordance with our new design.

FIG. 2 is a front view of the container in FIG. 1, the rear and side views of the claimed design being identical to the front view of FIG. 2.

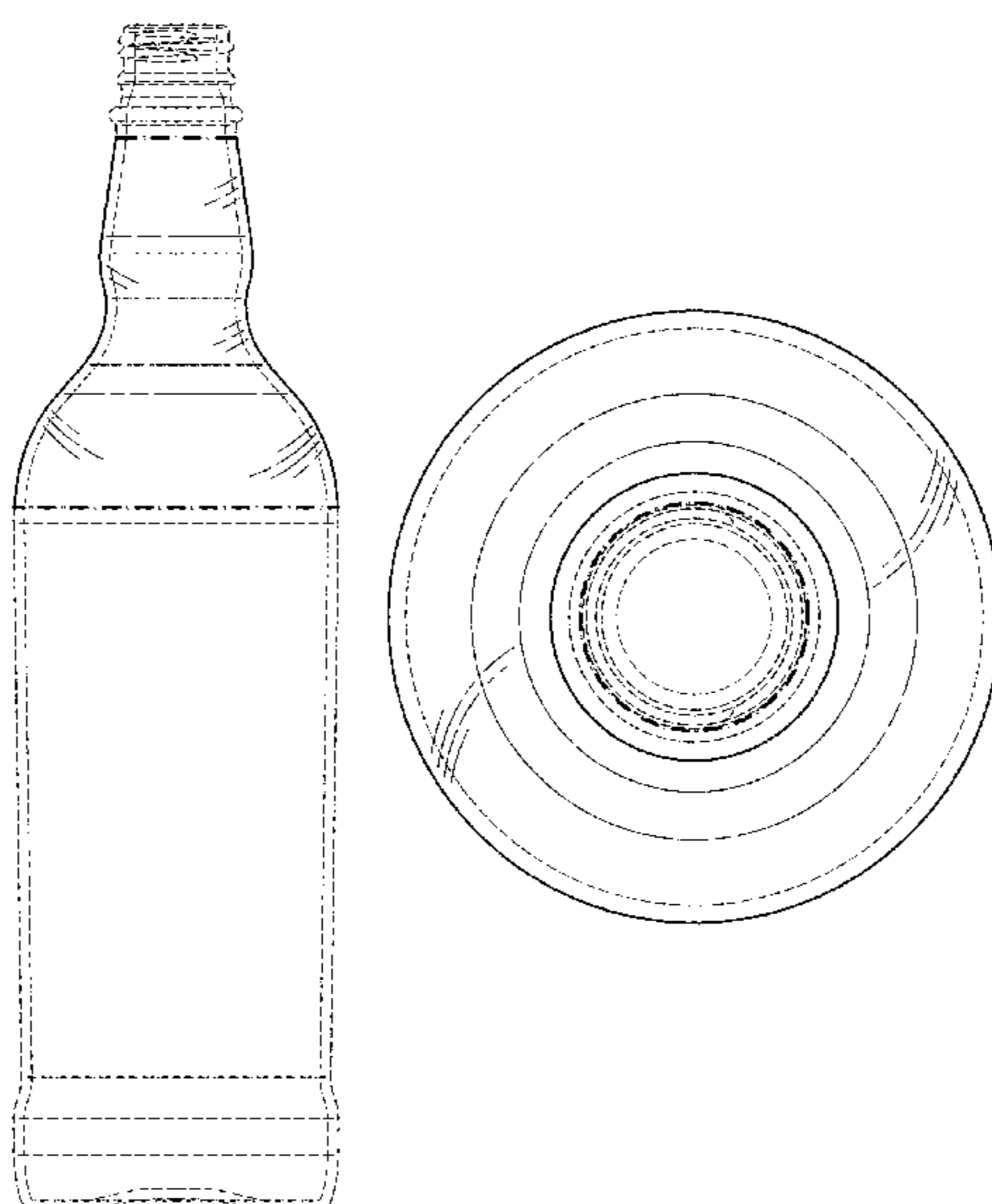
FIG. 3 is an enlarged top view of the container in FIG. 1; and,

FIG. 4 is an enlarged bottom view of the container in FIG. 1.

Dash-dash-dash broken lines shown in the drawings represent subject matter that is not part of the claimed design.

Dash-dot-dash broken lines shown in the drawings represent boundaries of the claimed design and are not part of the claimed design.

1 Claim, 2 Drawing Sheets



(56)

References Cited

U.S. PATENT DOCUMENTS

8,097,662 B2 * 1/2012 Schmidt A23L 3/3436
523/100
D658,995 S * 5/2012 Potts D9/500
8,309,622 B2 * 11/2012 Schmidt A23L 3/3436
523/100
D731,316 S * 6/2015 Joblonska D9/538
D786,076 S * 5/2017 Redondo D9/500
D793,863 S * 8/2017 Huynen D9/503
D813,675 S * 3/2018 Matauch D9/500
D813,677 S * 3/2018 Pelkey D9/500
D847,636 S * 5/2019 Harris D9/500
D847,646 S * 5/2019 Harris D9/516
D847,648 S * 5/2019 Birkhoff D9/516
D847,649 S * 5/2019 Harris D9/516
D850,267 S * 6/2019 Paredes D9/516
D850,268 S * 6/2019 Paredes D9/516

* cited by examiner

FIG. 1

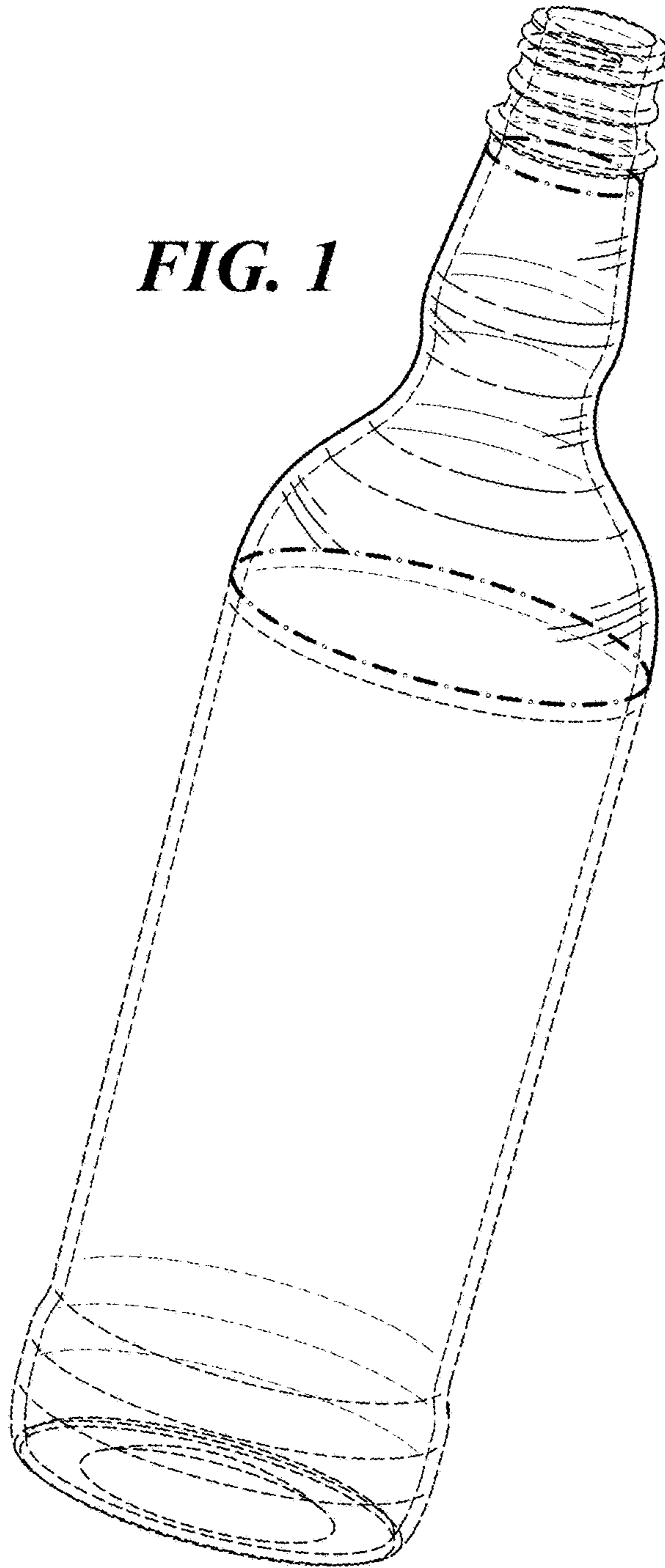
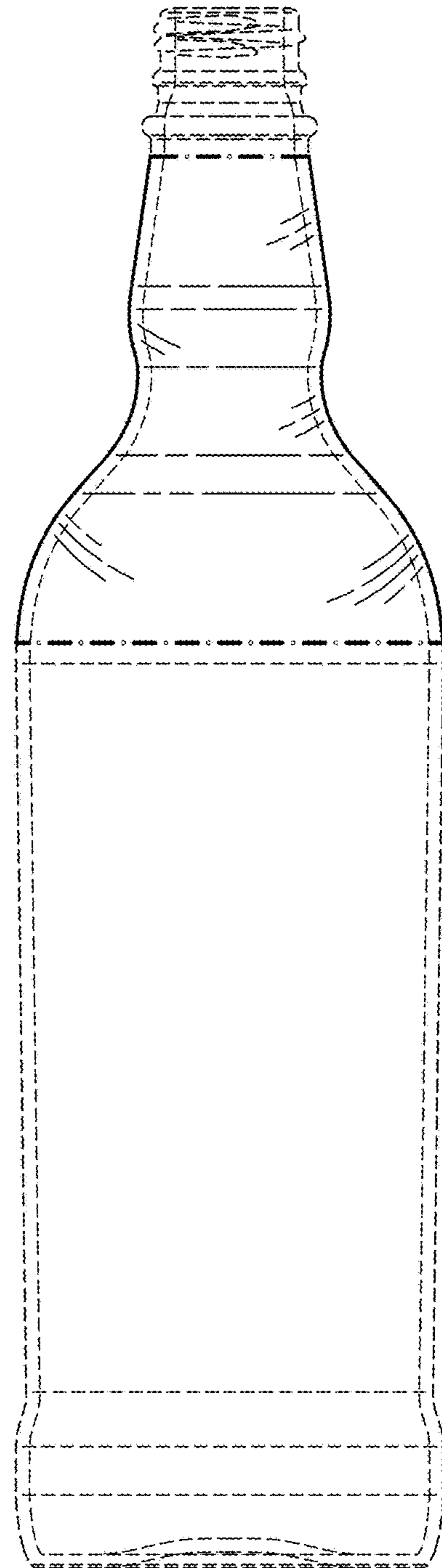


FIG. 2



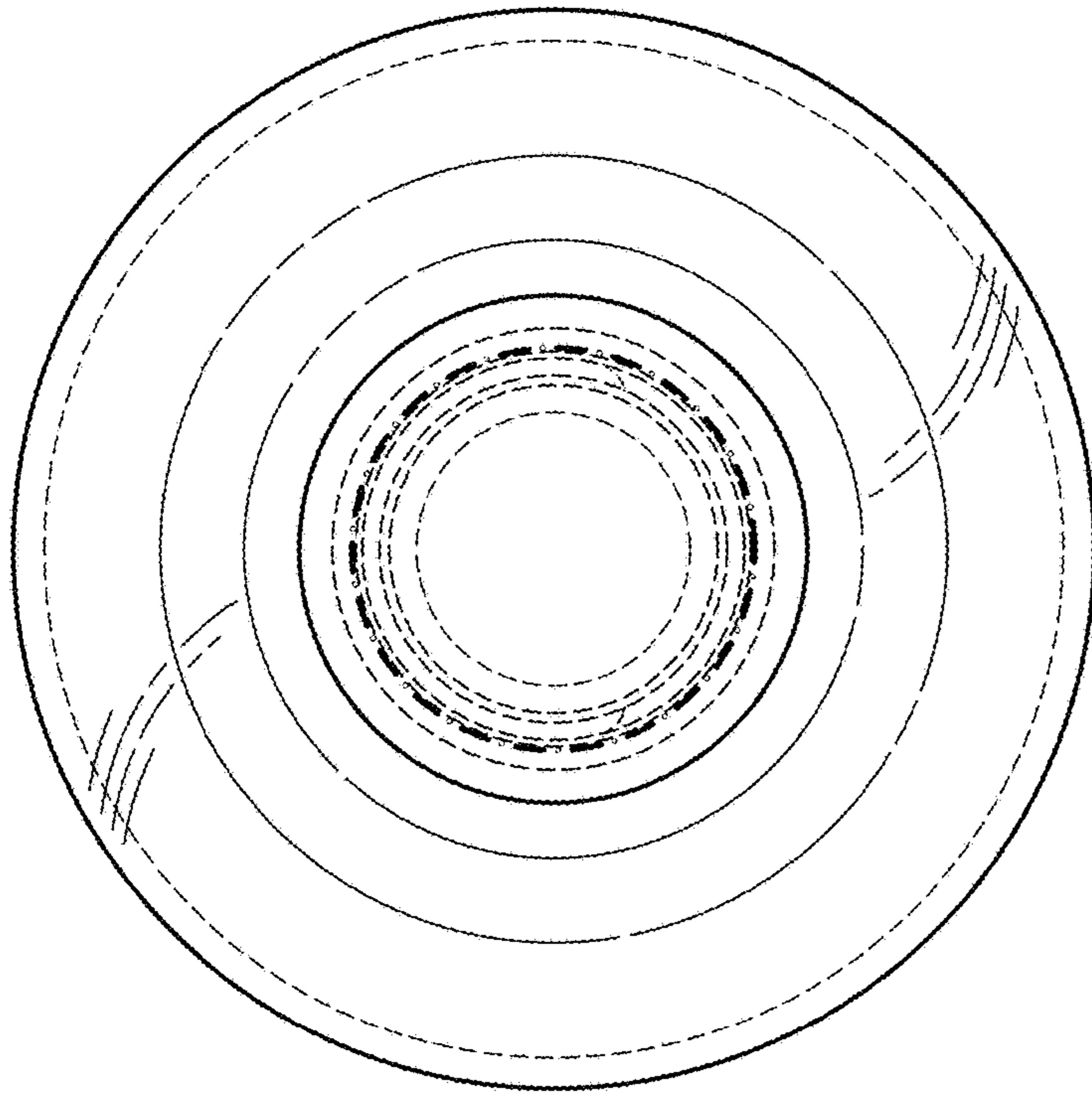


FIG. 3

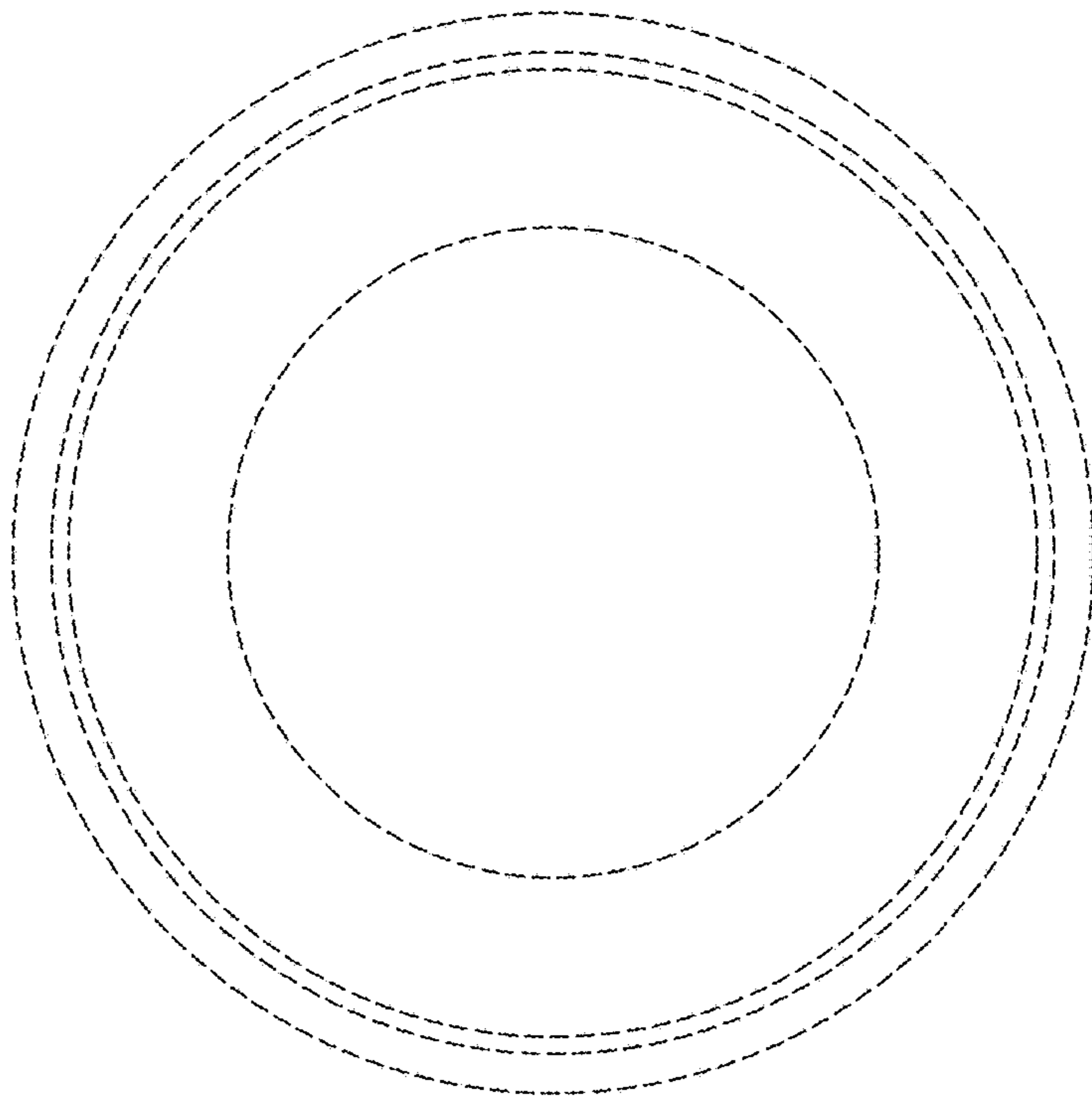


FIG. 4