



US00D862233S

(12) **United States Design Patent**
Lerman

(10) **Patent No.:** **US D862,233 S**
(45) **Date of Patent:** **** Oct. 8, 2019**

- (54) **JAR**
- (71) Applicant: **Lerman Container Corporation,**
Jupiter, FL (US)
- (72) Inventor: **Robert Lerman,** Jupiter, FL (US)
- (73) Assignee: **Lerman Container Corporation,**
Jupiter, FL (US)
- (**) Term: **15 Years**
- (21) Appl. No.: **29/677,795**
- (22) Filed: **Jan. 23, 2019**
- (51) **LOC (12) Cl.** **09-01**
- (52) **U.S. Cl.**
USPC **D9/500; D9/520**
- (58) **Field of Classification Search**
USPC D9/414, 417, 434, 500, 503-504, 516,
D9/549, 558, 715, 745; D7/612, 615,
(Continued)

- (56) **References Cited**
U.S. PATENT DOCUMENTS

D98,055 S * 1/1936 Conner D9/502
2,076,551 A * 4/1937 Conner A45D 40/0068
215/12.1
(Continued)

- FOREIGN PATENT DOCUMENTS**

AU 155876 7/2004
BG 6136-0002 * 6/2006
(Continued)

OTHER PUBLICATIONS

Small Cosmetic Jar, Ali Baba, <https://sites.google.com/a/u.aocon.net/a784/Free-Ship-100PCS-Cheap-10g-Cosmetic-Sample-Packing-Plastic-Cream-Jar-Sample-Packaging-Small-Cosmetic-Jar>, Aug. 27, 2016.

(Continued)

Primary Examiner — Dana Meyrow
(74) *Attorney, Agent, or Firm* — Gottlieb, Rackman & Reisman, PC

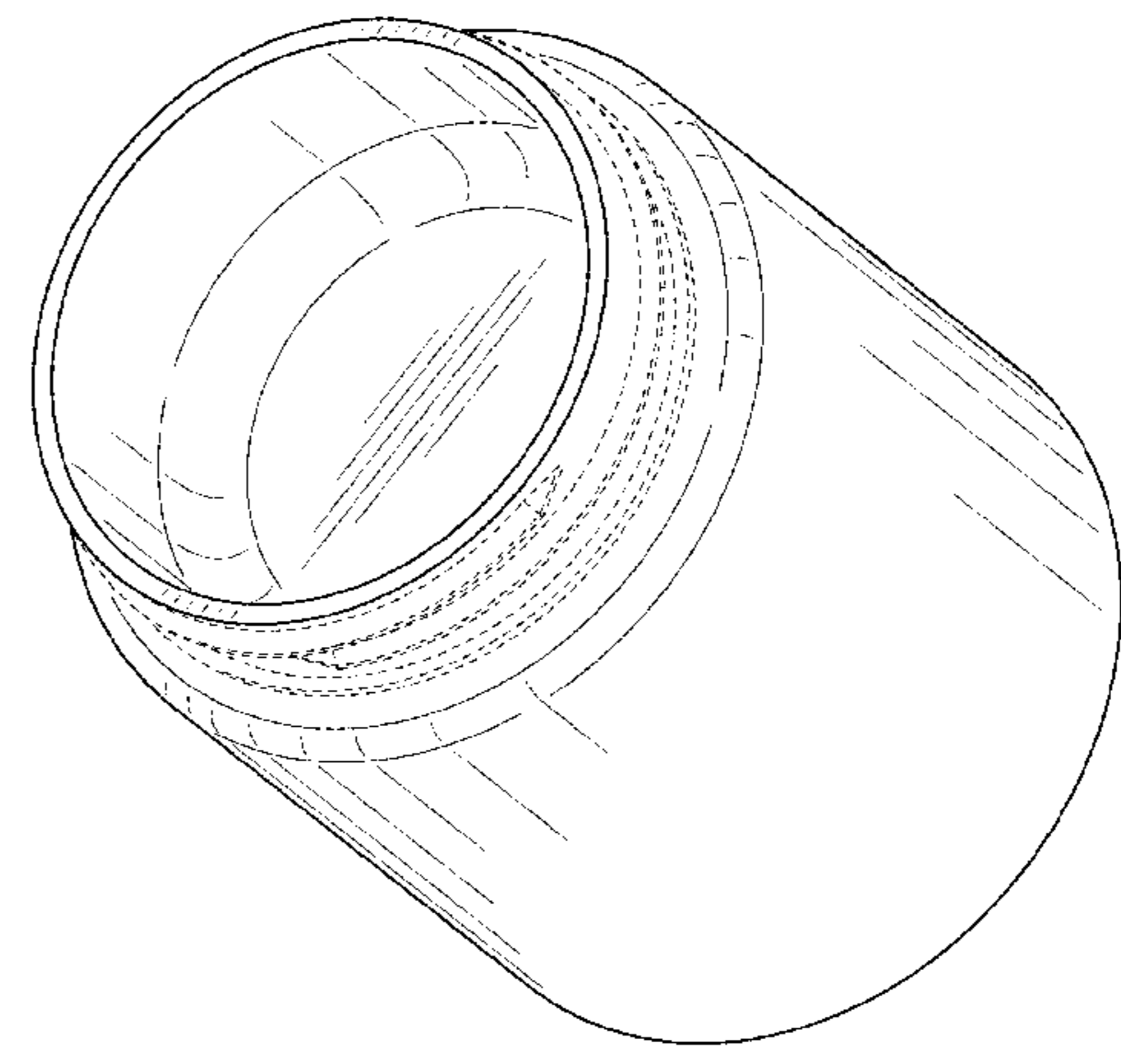
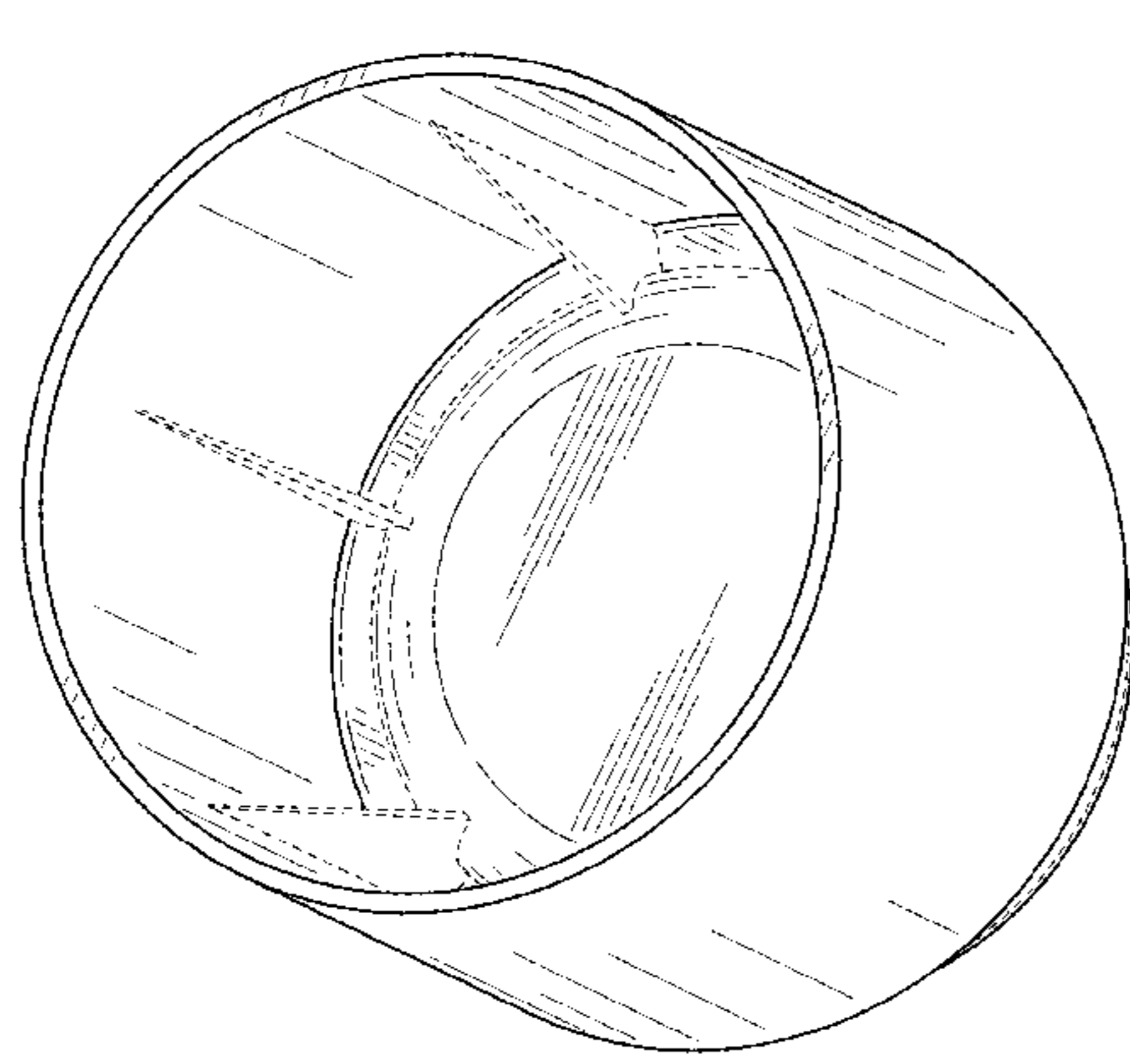
(57) **CLAIM**

The ornamental design for a jar, as shown and described.

DESCRIPTION

FIG. 1 is a first perspective view of a first embodiment of a jar showing my new design;
FIG. 2 is a second perspective view of the jar of FIG. 1;
FIG. 3 is a third perspective view of the jar of FIG. 1;
FIG. 4 is a first side elevation view of the jar of FIG. 1;
FIG. 5 is a second side elevation view of the jar of FIG. 1;
FIG. 6 is a third side elevation view of the jar of FIG. 1;
FIG. 7 is a fourth side elevation view of the jar of FIG. 1;
FIG. 8 is a top plan view of the jar of FIG. 1;
FIG. 9 is a bottom plan view of the jar of FIG. 1;
FIG. 10 is a first perspective view of a second embodiment of a jar showing my new design;
FIG. 11 is a second perspective view of the jar of FIG. 10;
FIG. 12 is a third perspective view of the jar of FIG. 10;
FIG. 13 is a first side elevation view of the jar of FIG. 10;
FIG. 14 is a second side elevation view of the jar of FIG. 10;
FIG. 15 is a third side elevation view of the jar of FIG. 10;
FIG. 16 is a fourth side elevation view of the jar of FIG. 10;
FIG. 17 is a top plan view of the jar of FIG. 10; and,
FIG. 18 is a bottom plan view of the jar of FIG. 10.
The broken lines shown in the drawings are included for the purpose of illustrating portions of the jar that form no part of the claimed design.

1 Claim, 12 Drawing Sheets



US D862,233 S

Page 2

(58) **Field of Classification Search**

USPC D7/630; D24/117, 121, 197, 224;
D28/73, 76-77, 91; D3/203.2, 264
CPC B65D 1/00; B65D 1/02; B65D 1/0207;
B65D 1/0223; B65D 21/0209; B65D
21/0213; B65D 2501/00; B65D
2501/0009

See application file for complete search history.

(56)

References Cited

U.S. PATENT DOCUMENTS

2,077,215 A * 4/1937 Conner A45D 40/0068
215/12.1
D221,978 S * 9/1971 Daenen D7/503
3,713,528 A * 1/1973 Daenen A47G 19/28
206/525
D287,404 S * 12/1986 Johansson D24/121
D322,195 S * 12/1991 Daenen D7/503
D330,429 S * 10/1992 Lewis D24/224
D444,702 S * 7/2001 Castleberry, II D9/746
D447,290 S * 8/2001 Huai D30/129
D577,290 S * 9/2008 Moretti D9/500
D578,891 S * 10/2008 Canamasas Puigbo D9/500
D586,472 S * 2/2009 Harold D24/224
D605,529 S * 12/2009 Holtrop D9/454
8,777,066 B2 * 7/2014 Esteve A45D 34/00
222/386
D746,627 S * 1/2016 Puigbo D9/503
D804,950 S * 12/2017 Spurrier D9/500
D814,705 S * 4/2018 Norris D28/82
D825,336 S * 8/2018 Spurrier D9/500
D836,982 S * 1/2019 Diener D7/509

D842,109 S * 3/2019 Marotta D9/500
D845,768 S * 4/2019 Mateus D9/500
2011/0278195 A1 11/2011 Giocastro
2011/0297704 A1* 12/2011 Esteve A45D 34/00
222/390
2012/0248129 A1 10/2012 Yoshida et al.
2016/0262523 A1* 9/2016 Kim A45D 40/00
2017/0313471 A1 11/2017 Mattos

FOREIGN PATENT DOCUMENTS

BG 6136-008 8/2006
CN 203294428 11/2013
EM 000309232-0001 6/2005
FR 112548 6/1974
FR 095439-0001 1/2010
KR 3008608580000M001 6/2016

OTHER PUBLICATIONS

Small Cosmetic Jar, Chengdu Miroo Bio-Technology Co., Ltd.,
www.solidrop.net/product/100pcs-lot-cheap-5g-cosmetic-sample-container-plastic-cream-jar-sample-packaging-small-cosmetic-jar-plastic-small-container.html, Dec. 17, 2018.
Small Cosmetic Jar, Ali Baba, https://www.alibaba.com/product-detail/10g-Plastic-PP-White-and-Clear_60478328100.html, Jun. 17, 2017.
Small Concave Jar, DCGate, <https://www.dhgate.com/product/freeship-100pcs-5m1-5g-concave-bottom-ar/414331487.html>, Nov. 21, 2015.
Mold-Rite Plastics, Open Bottom Jar, <https://www.mrpcap.com/products/product/open-bottom-jar/11184/>, Apr. 24, 2019.

* cited by examiner

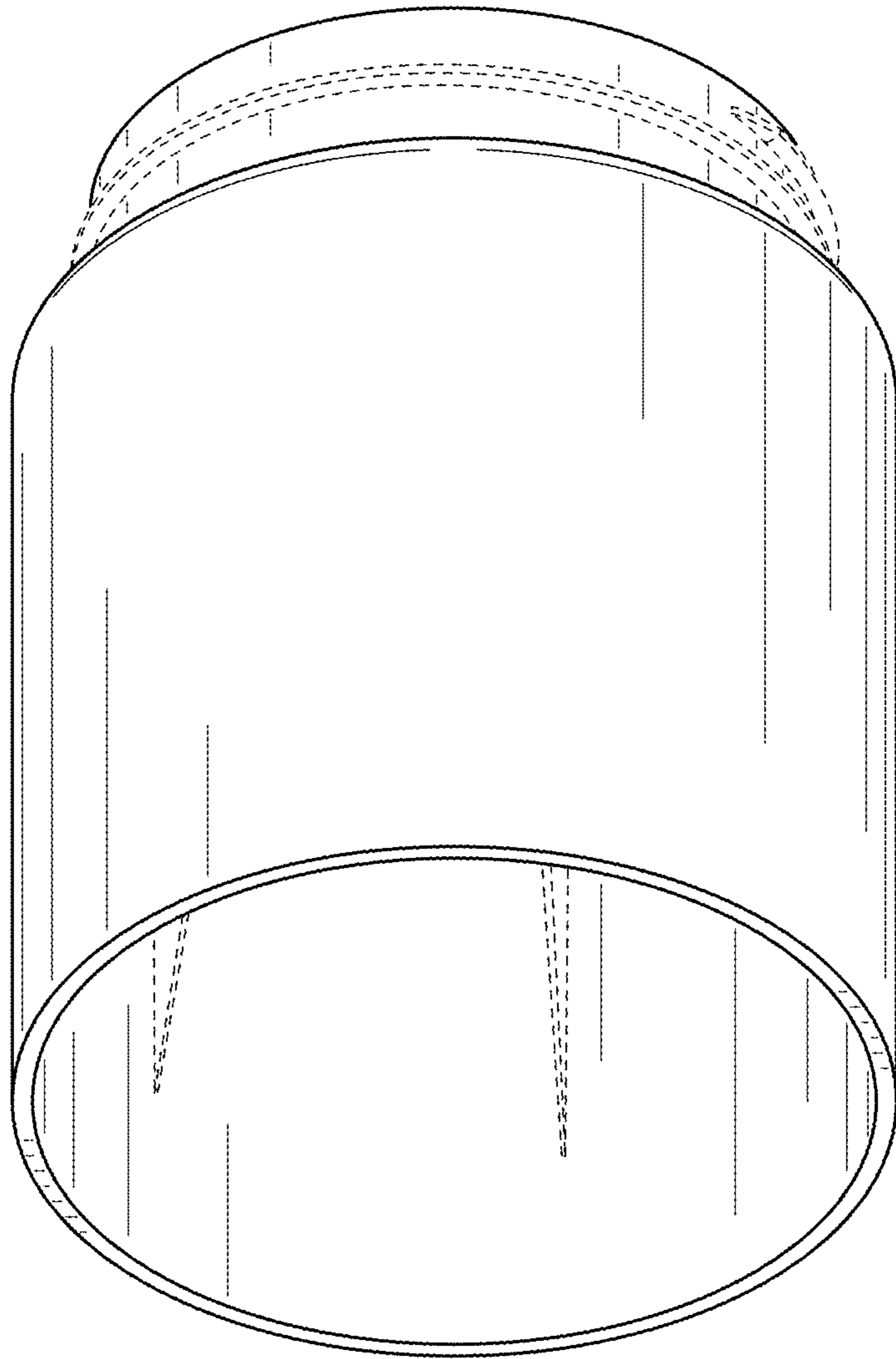


FIG. 1

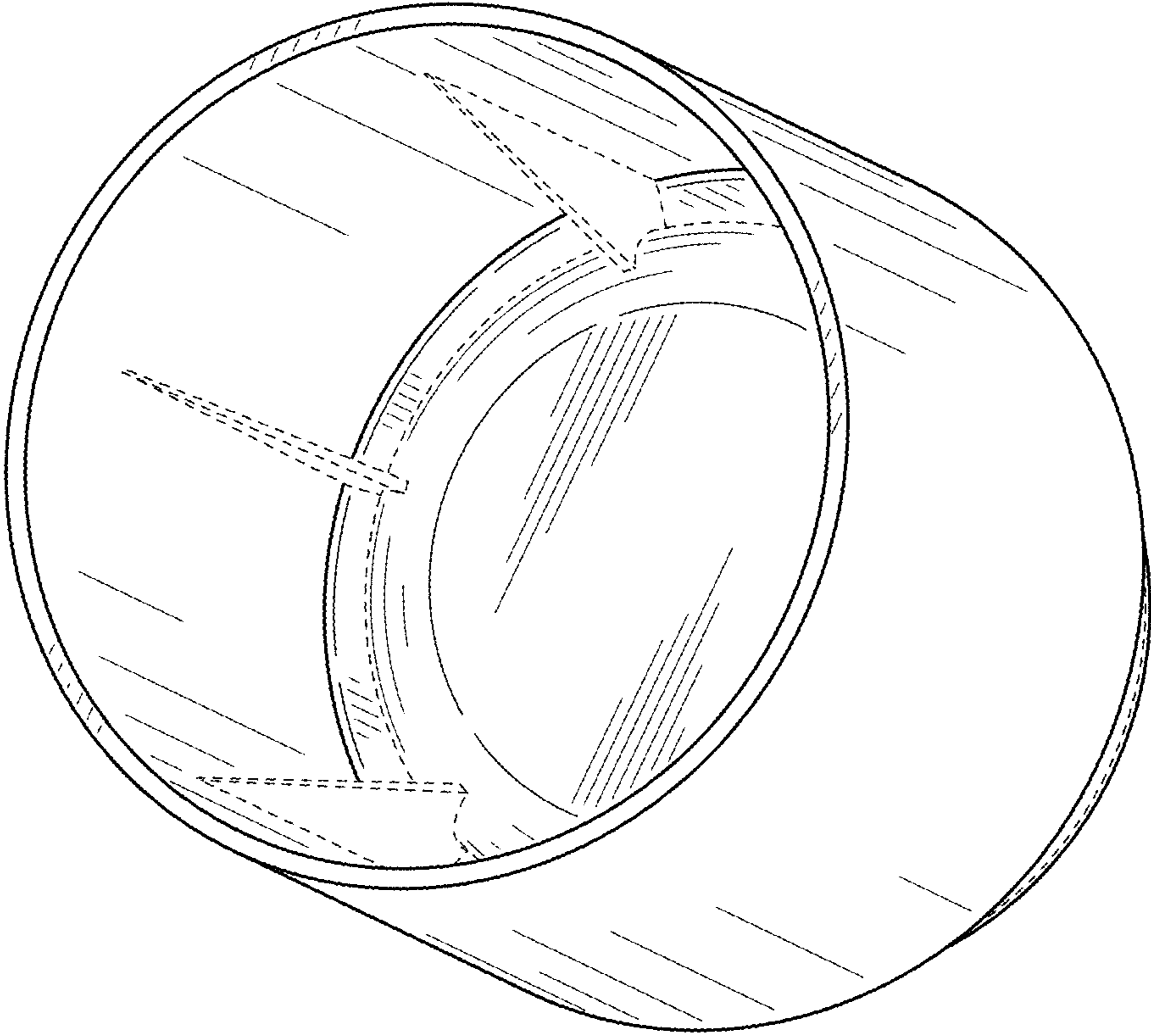


FIG. 2

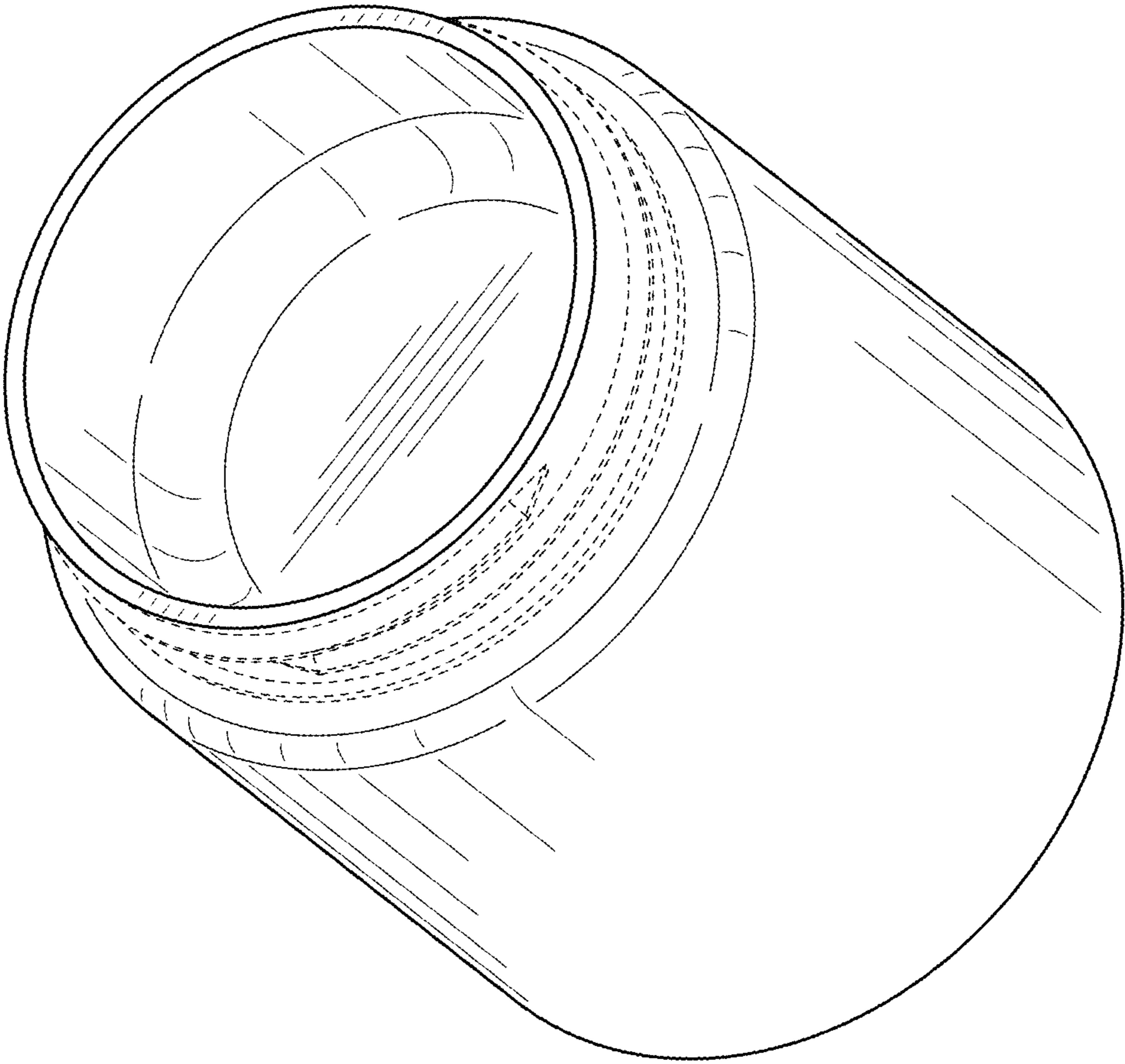


FIG. 3

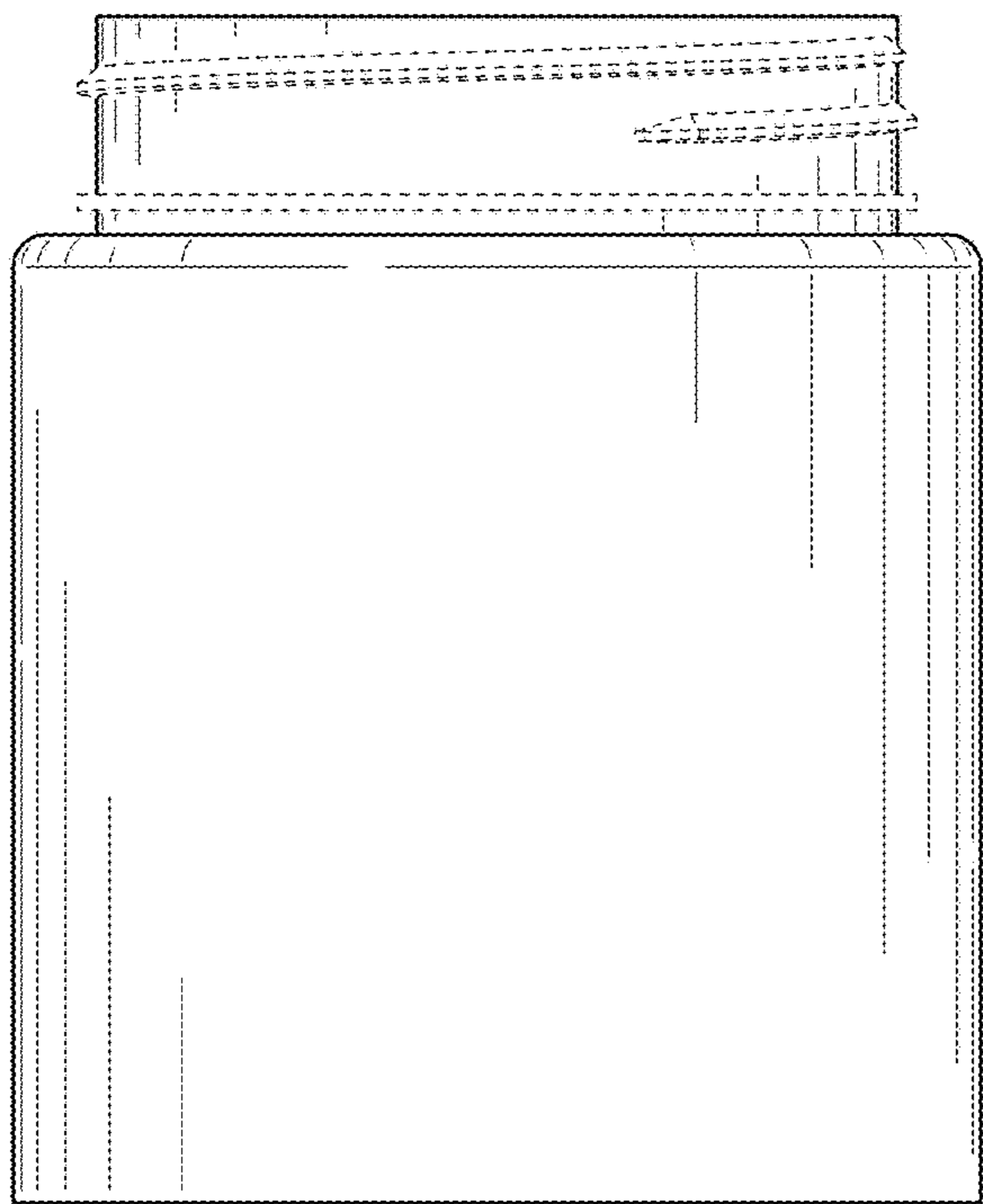


FIG. 4

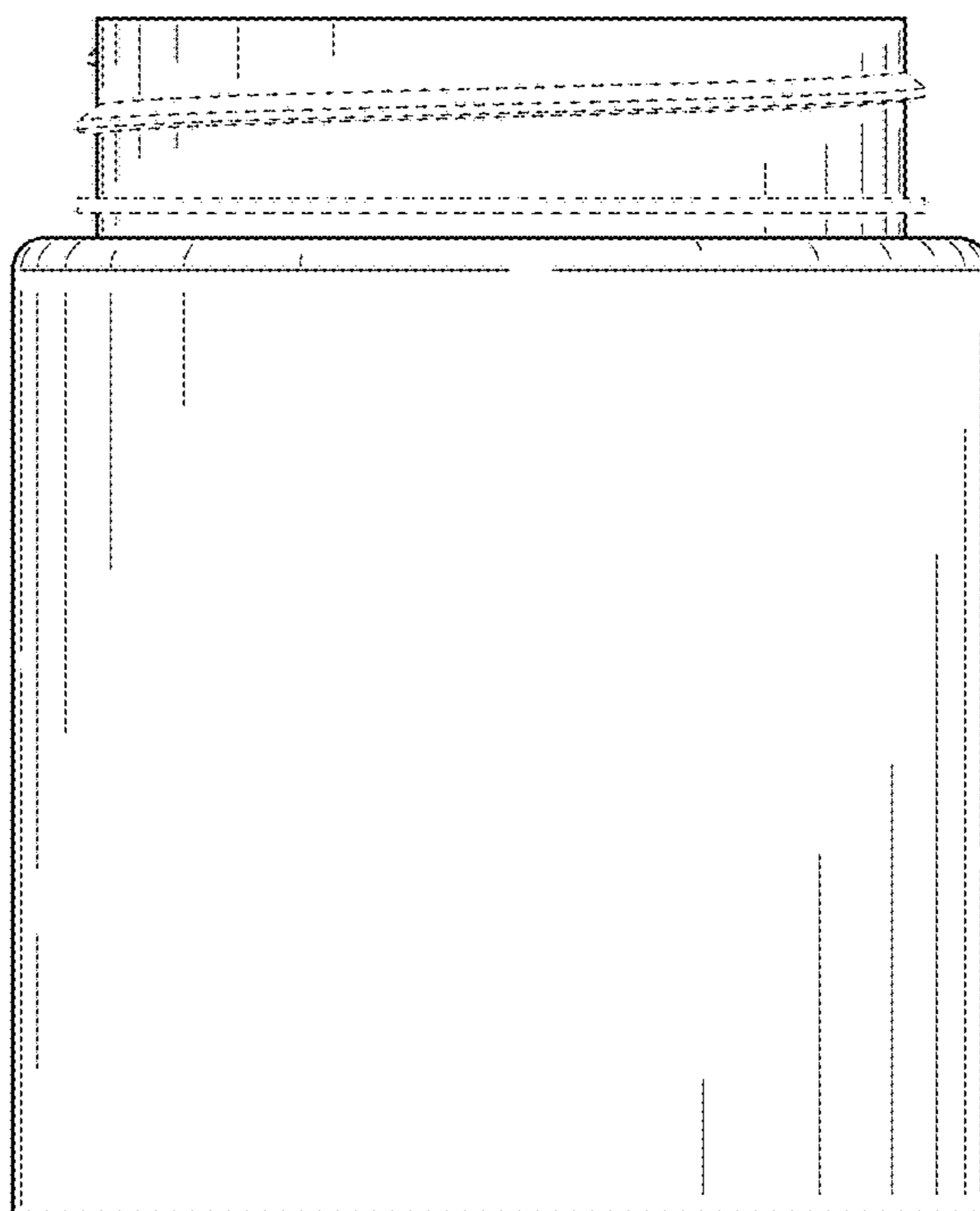


FIG. 5

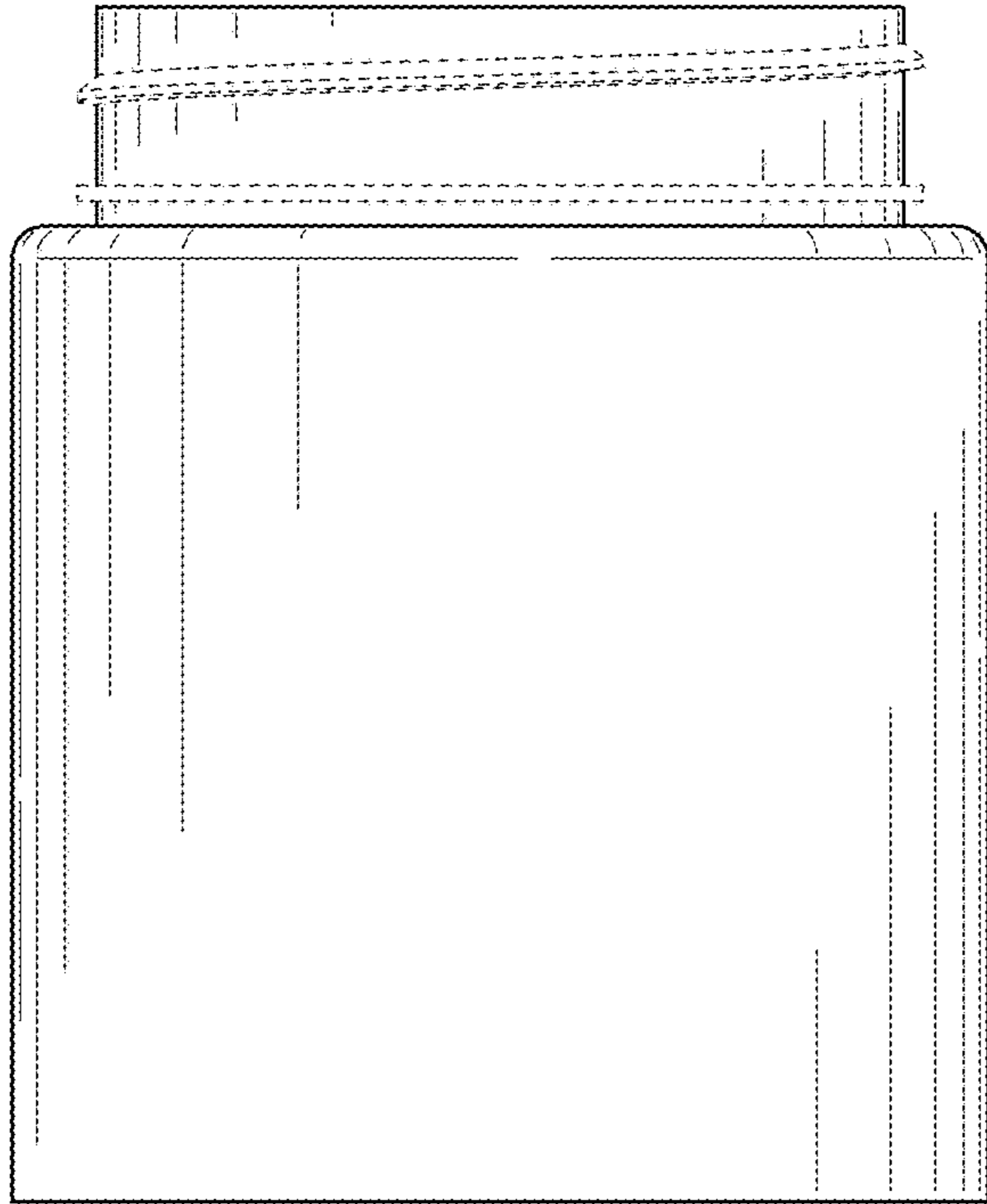


FIG. 6

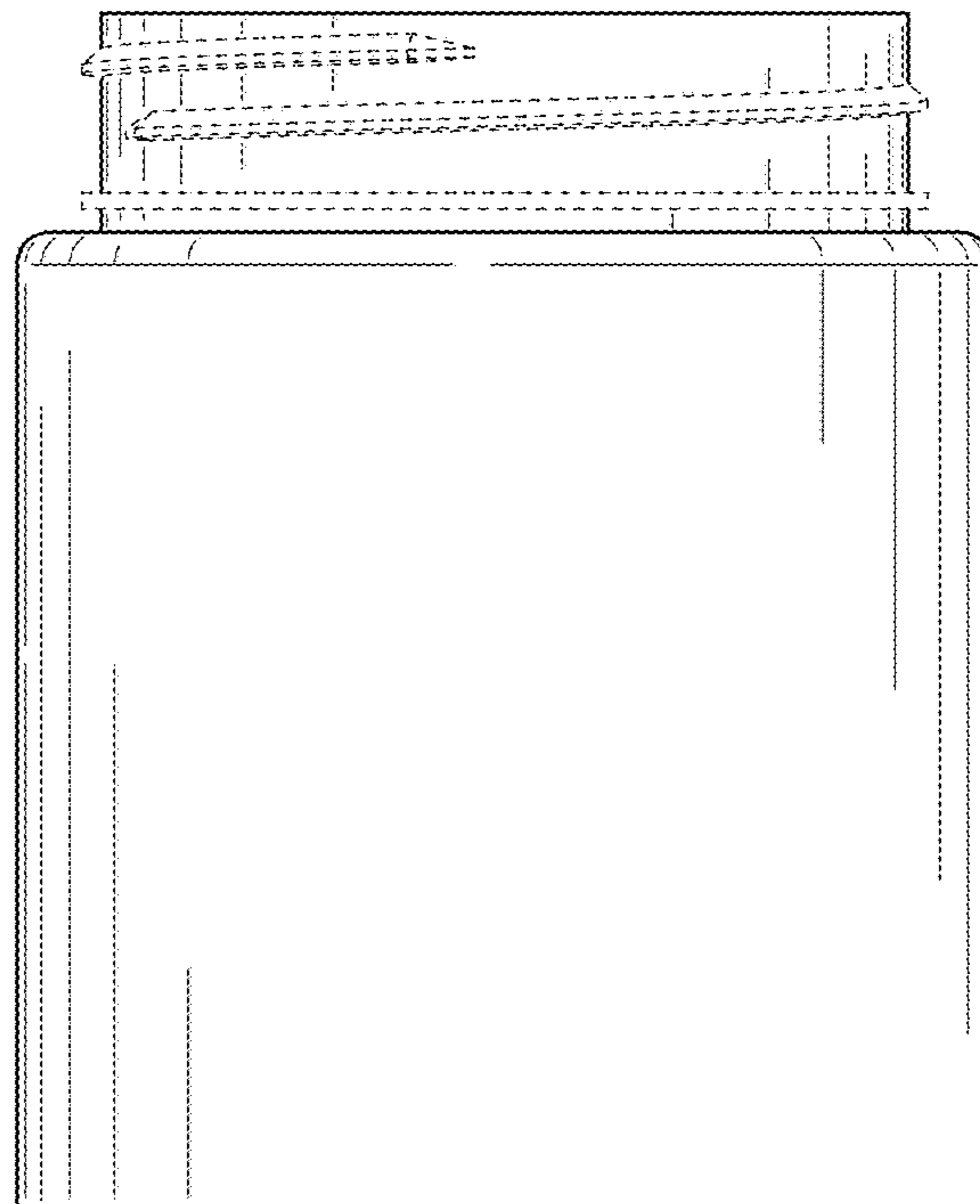


FIG. 7

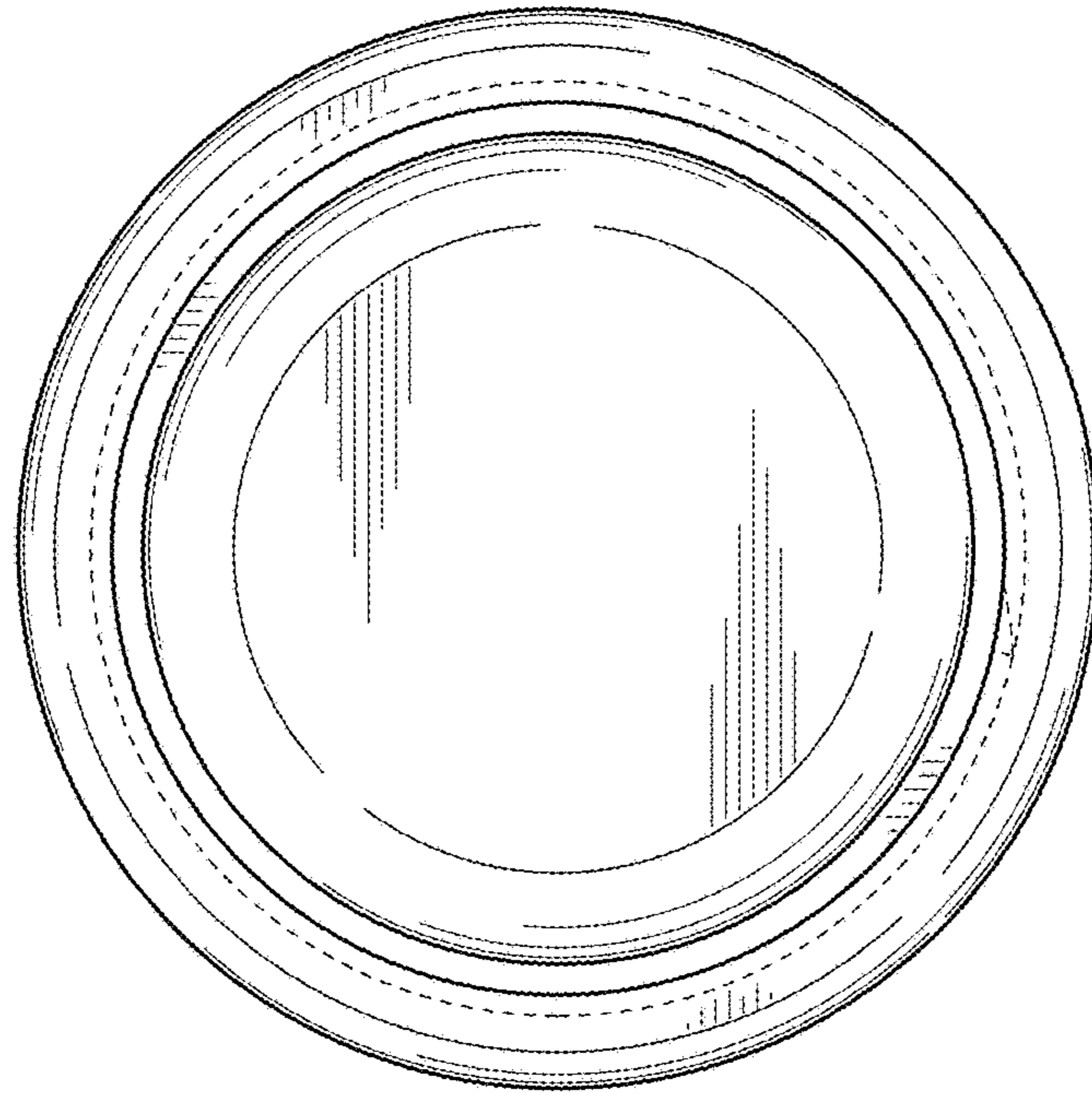


FIG. 8



FIG. 9

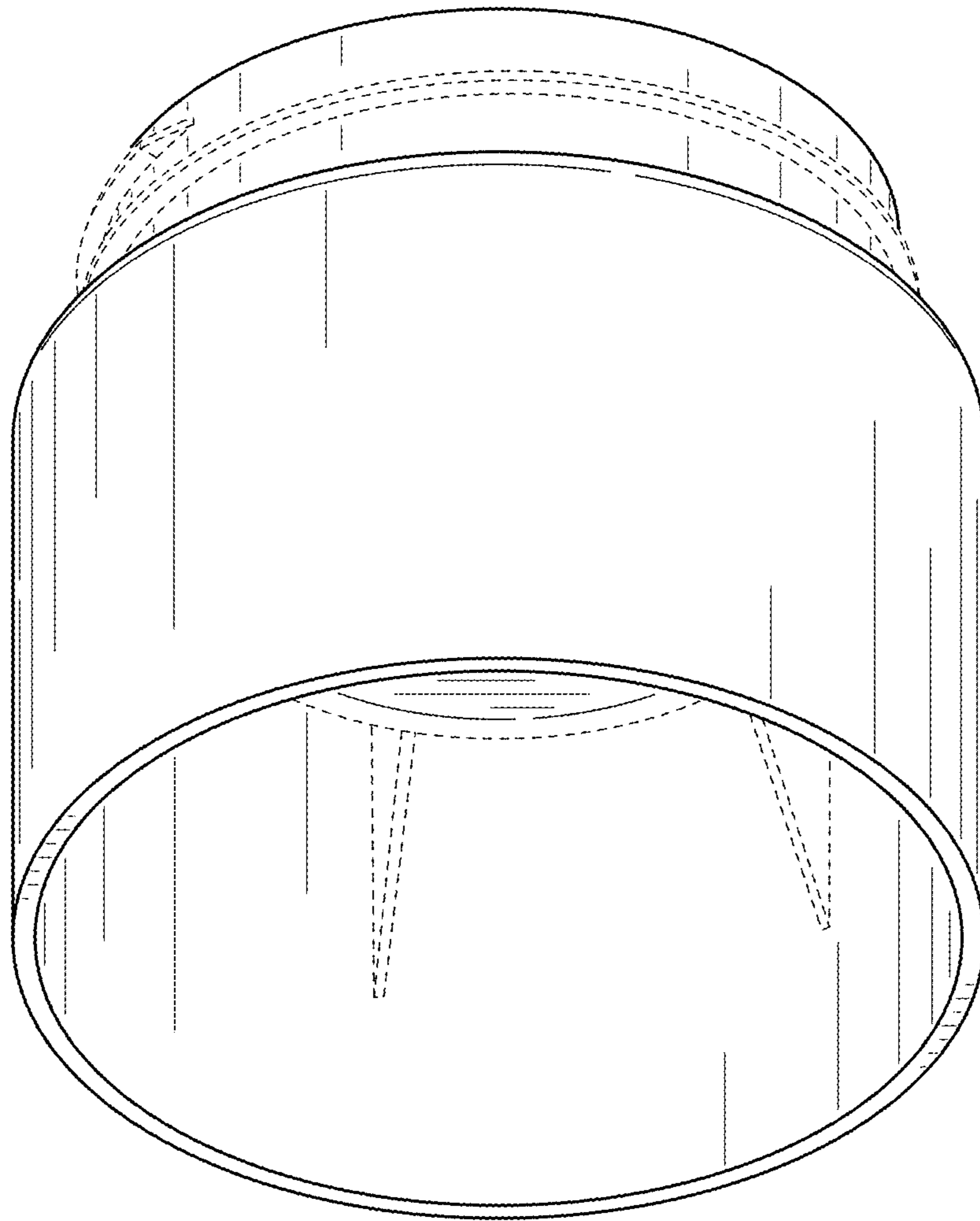


FIG. 10

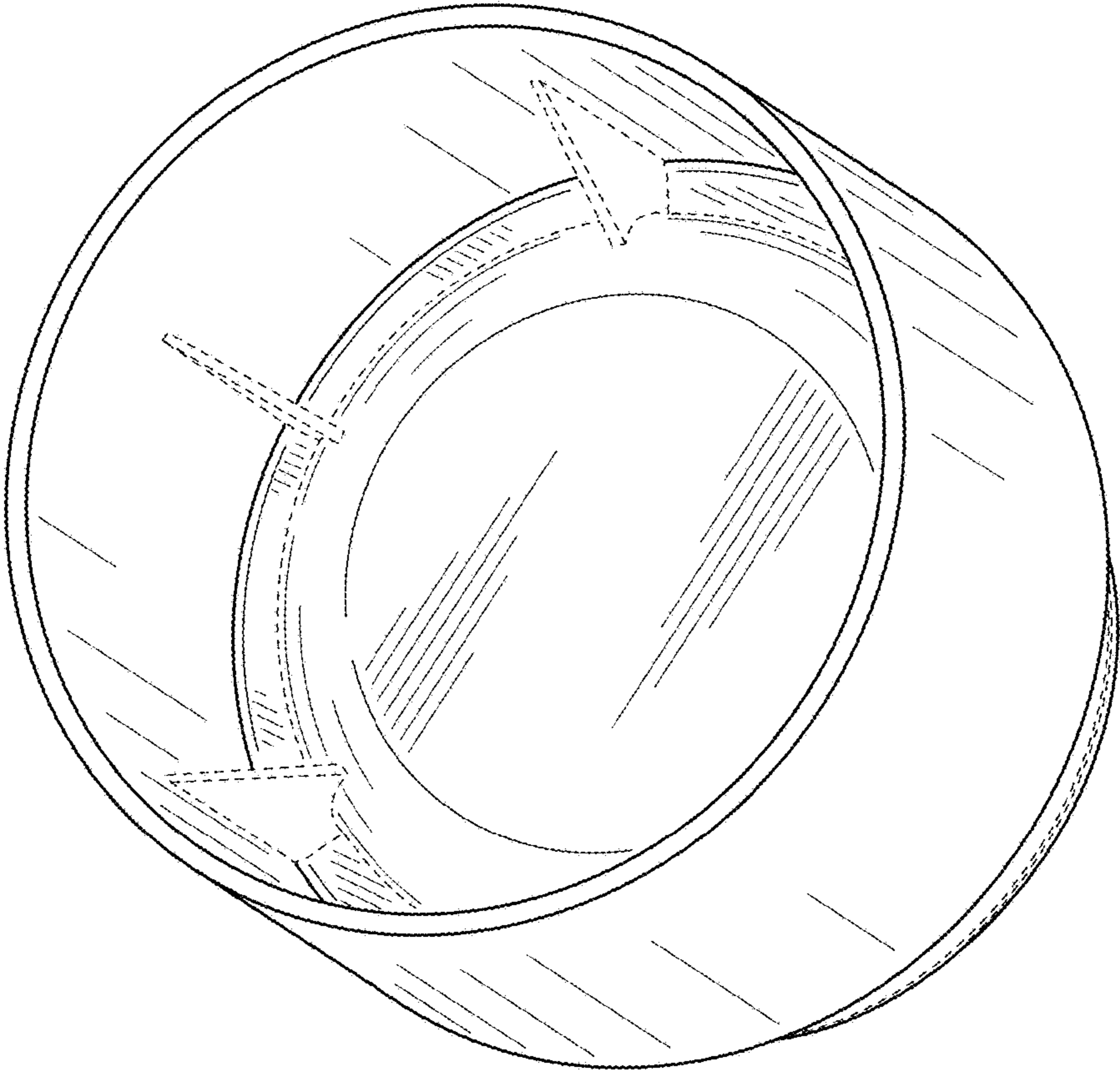


FIG. 11

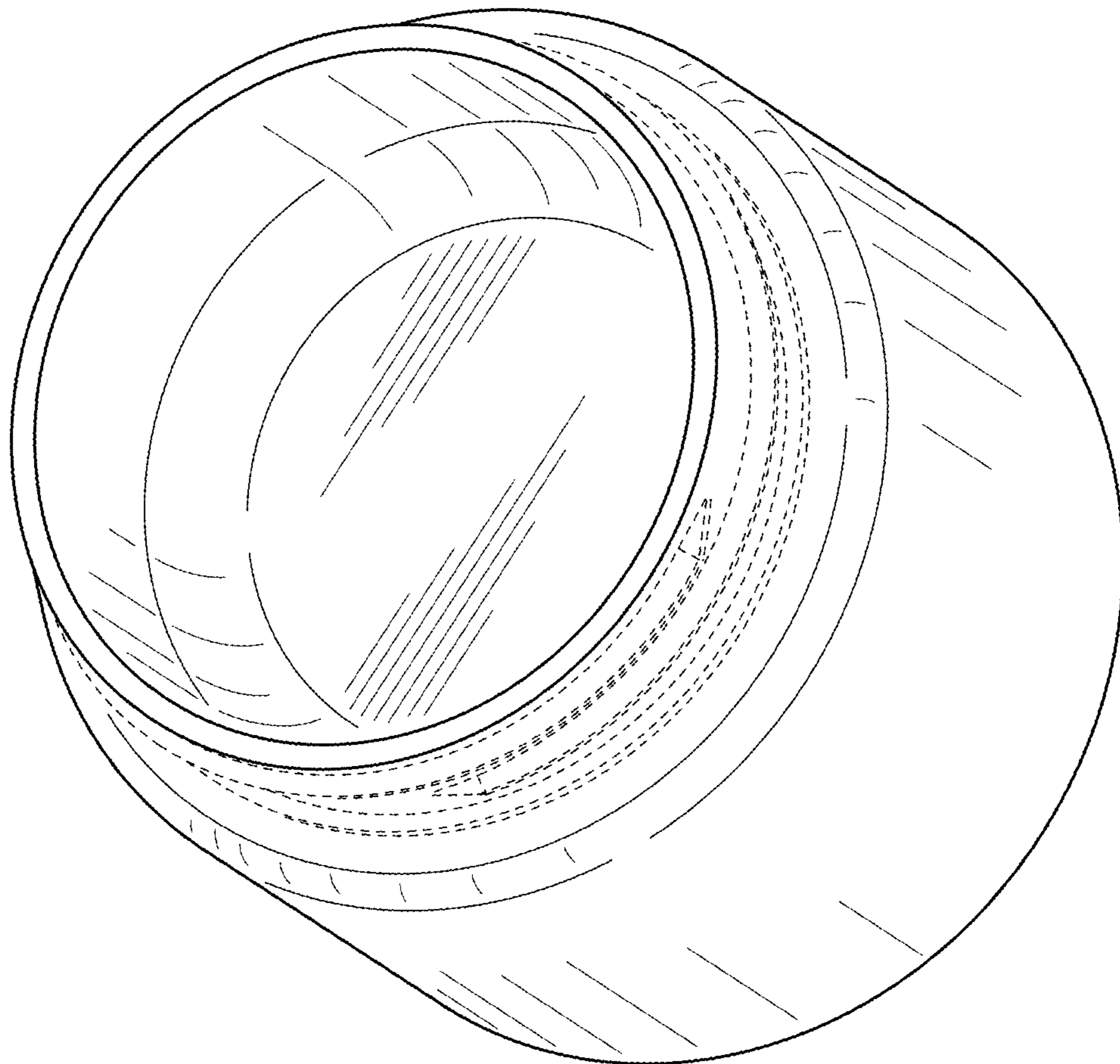


FIG. 12

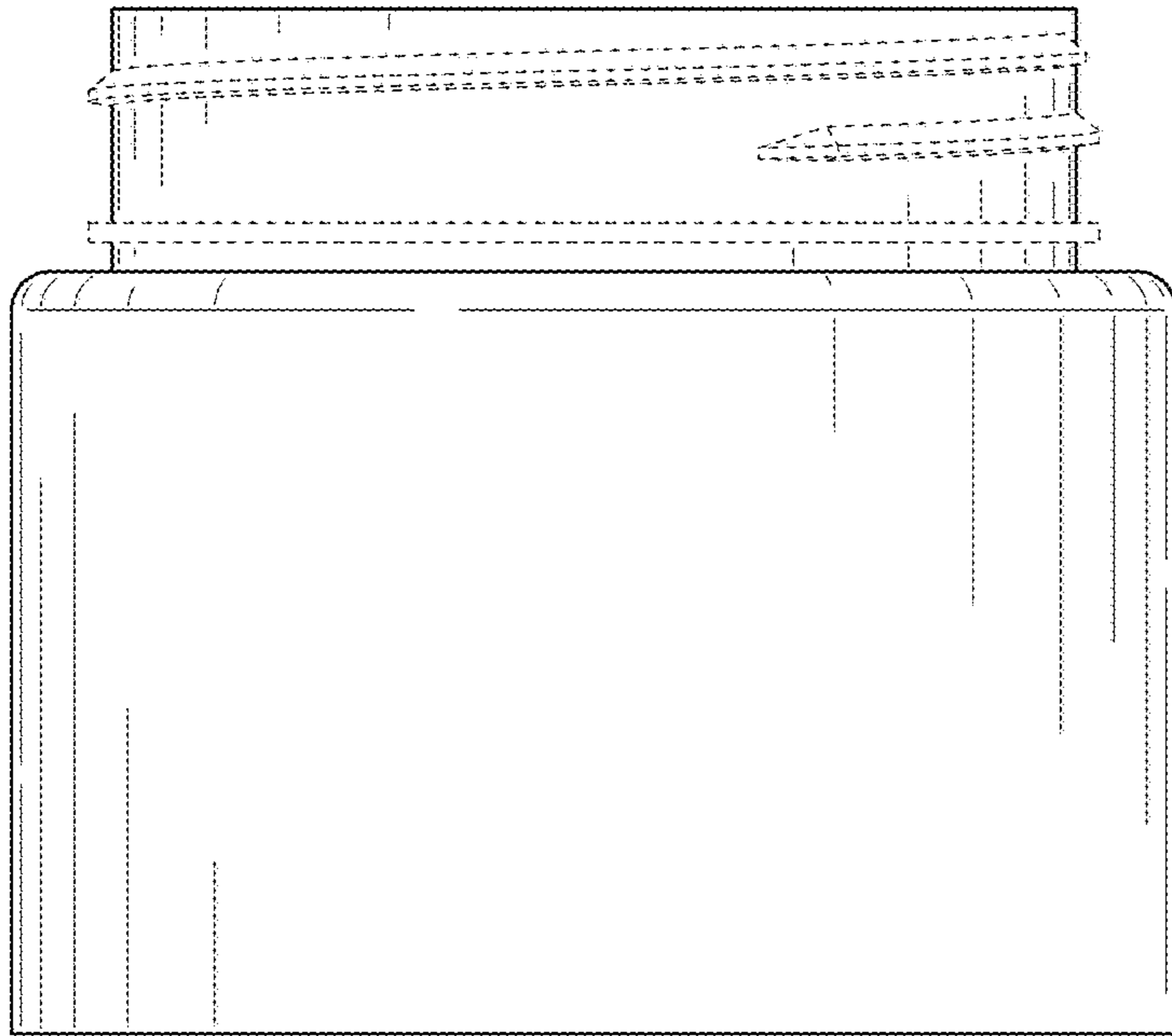


FIG. 13

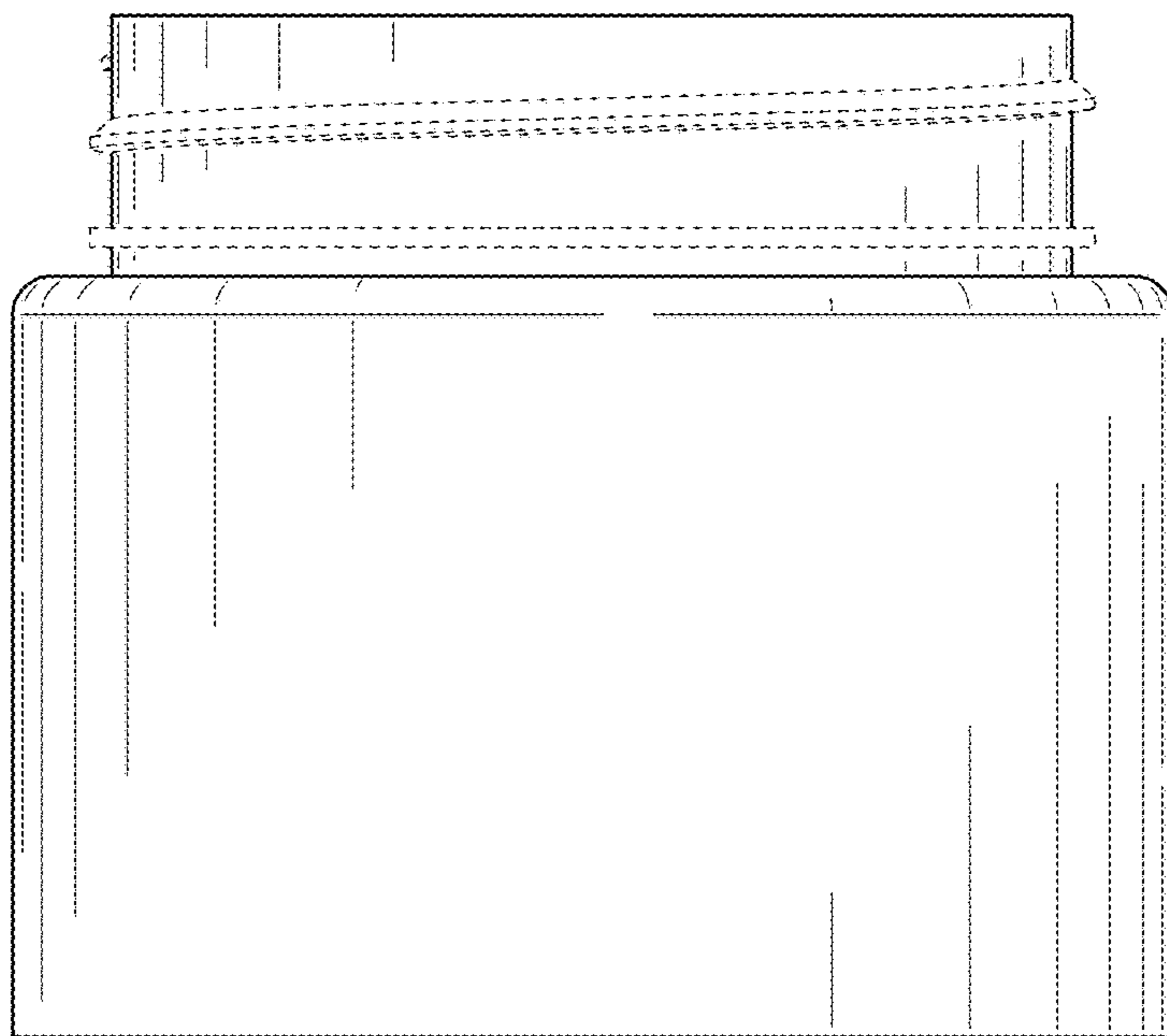


FIG. 14

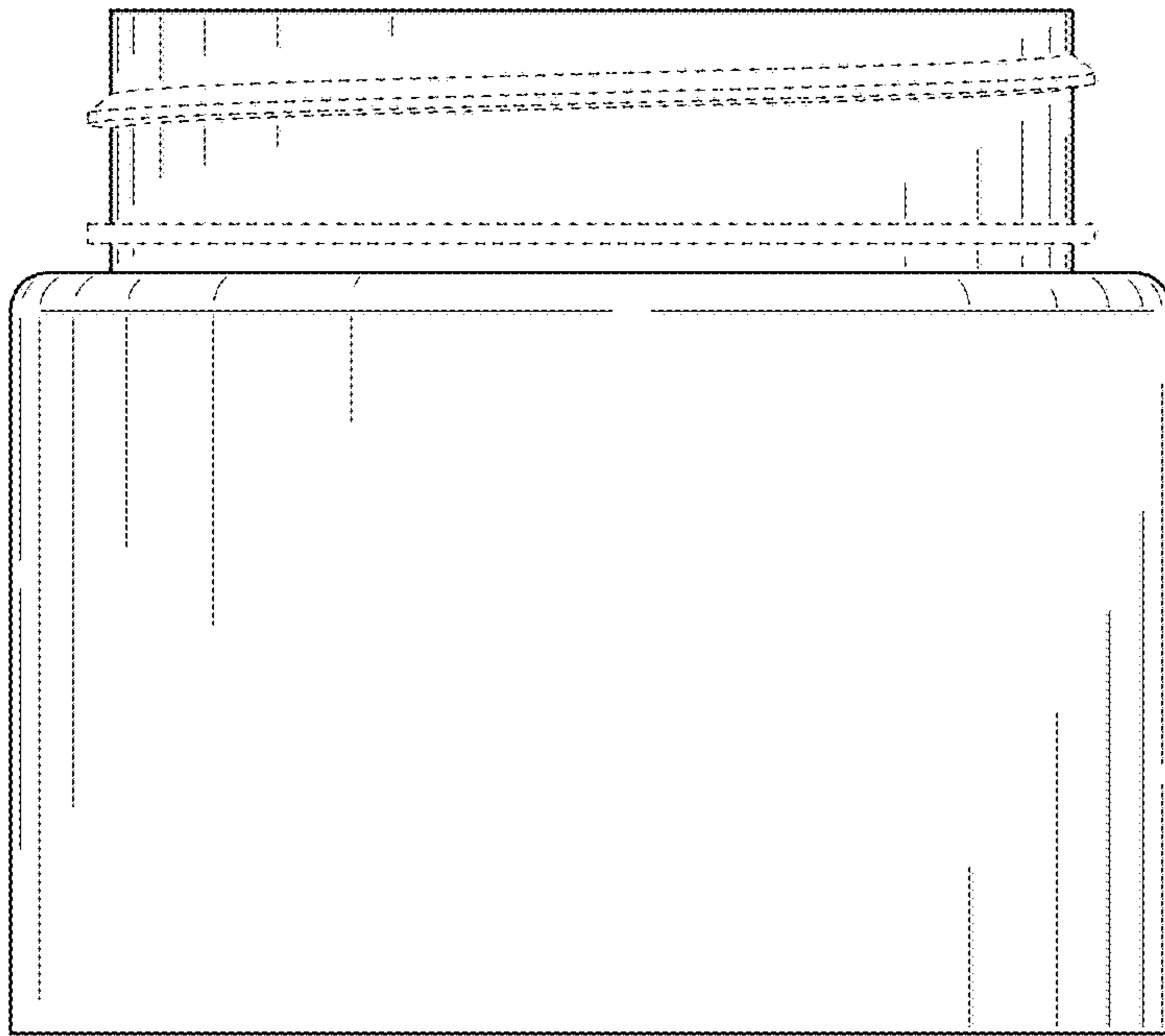


FIG. 15

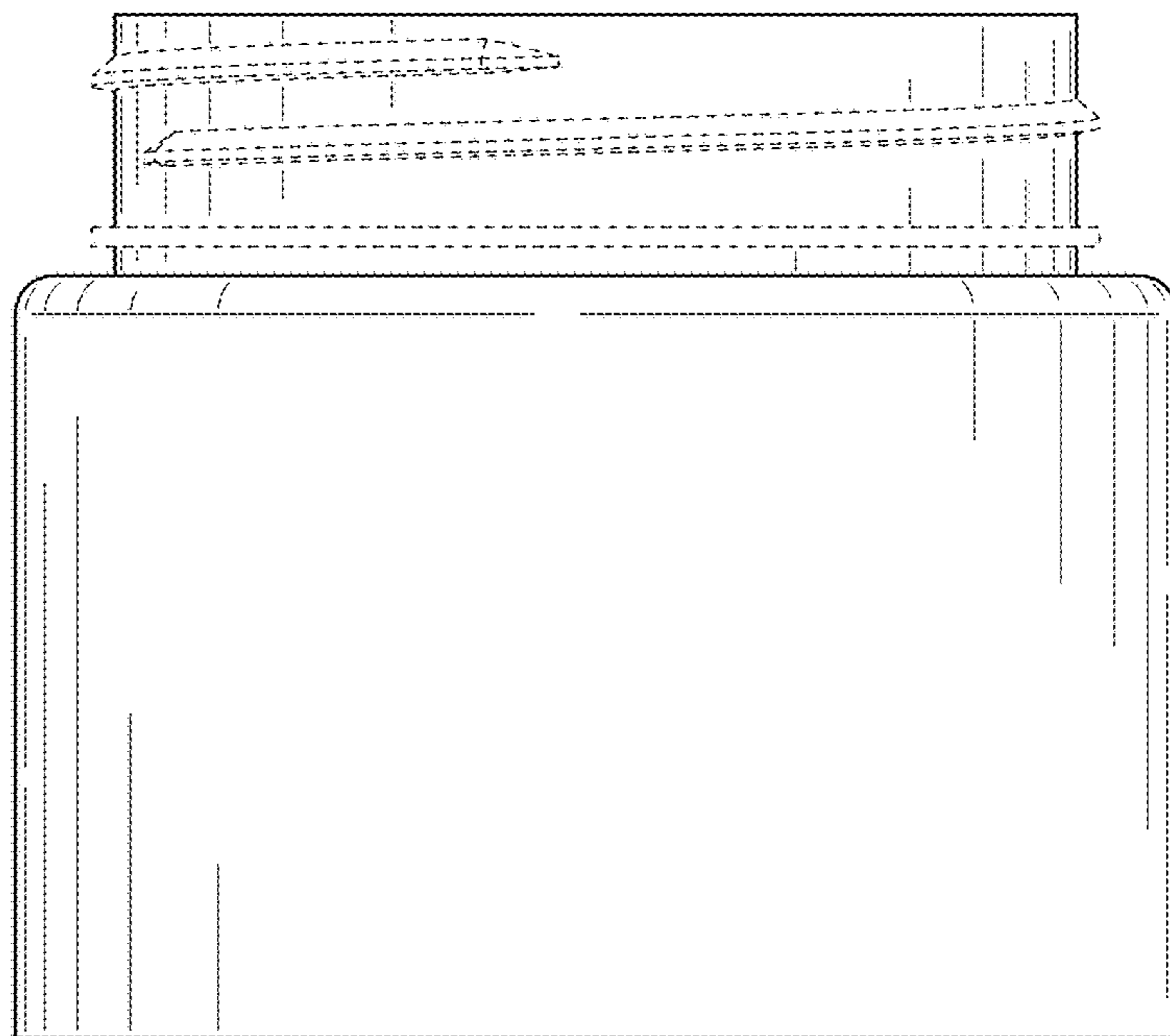


FIG. 16

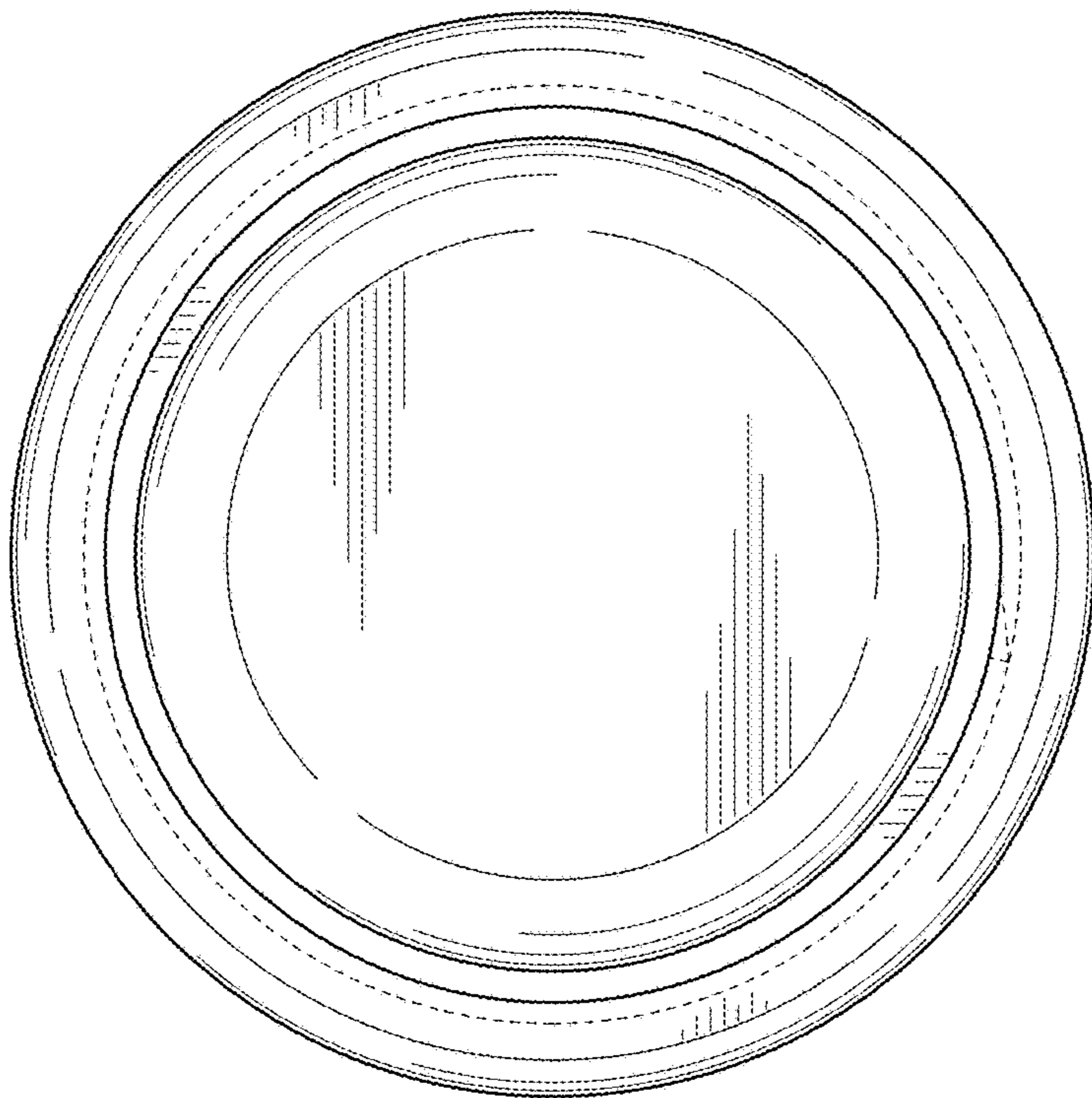


FIG. 17

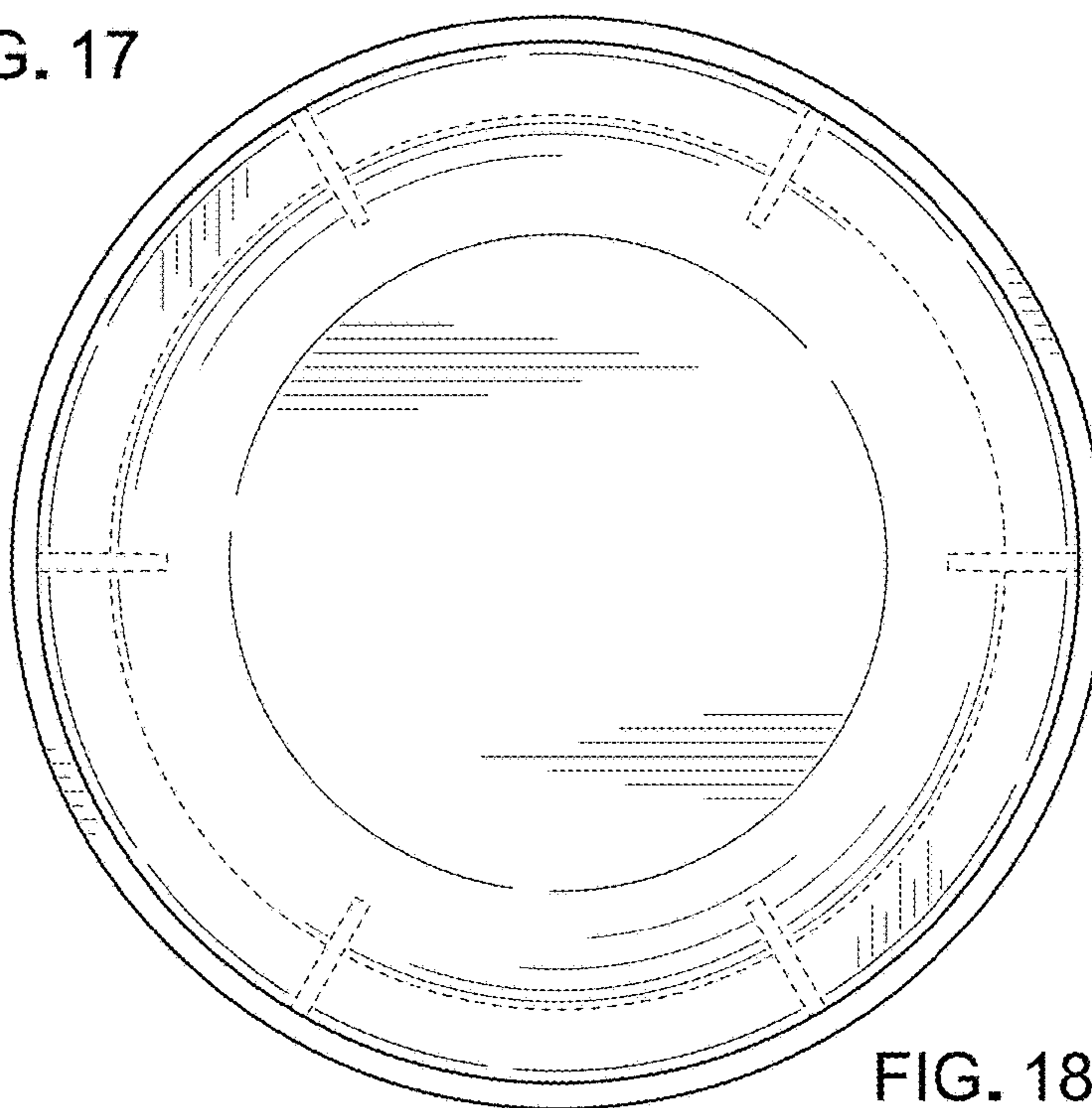


FIG. 18