

US00D862232S

(12) **United States Design Patent** (10) **Patent No.:** **US D862,232 S**
Burrowes et al. (45) **Date of Patent:** **** Oct. 8, 2019**

(54) **JAR**

(71) Applicant: **The Procter & Gamble Company**,
Cincinnati, OH (US)

(72) Inventors: **Lee Burrowes**, Woking (GB); **Caroline Stoney Simons Lemen**, Blue Ash, OH (US); **Angela Rachelle Clark**, Cincinnati, OH (US); **Xiaoling Qi**, Beijing (CN); **Amber Michelle Metz**, Terrace Park, OH (US)

(73) Assignee: **The Procter & Gamble Company**,
Cincinnati, OH (US)

(**) Term: **15 Years**

(21) Appl. No.: **29/667,218**

(22) Filed: **Oct. 19, 2018**

Related U.S. Application Data

(63) Continuation of application No. 29/576,375, filed on Sep. 2, 2016, now Pat. No. Des. 835,508.

(51) **LOC (12) Cl.** **09-03**

(52) **U.S. Cl.**
USPC **D9/500**

(58) **Field of Classification Search**

USPC D9/434-436, 452-454, 500-505, 516, D9/537, 539, 544-545, 549, 558, 715, D9/718, 719, 723, 772; D7/300, 602, D7/608, 509, 612, 629, 619.1; D28/76-77

CPC B65D 1/00; B65D 1/02; B65D 1/0223; B65D 1/10; B65D 2501/00; B65D 2501/0009

See application file for complete search history.

(56) **References Cited**

U.S. PATENT DOCUMENTS

D252,612 S *	8/1979	Mull	D24/224
D274,848 S *	7/1984	Chevassus	D28/76
D316,671 S *	5/1991	Rohmeder	401/126
D333,758 S *	3/1993	Lillelund	D7/602
D388,176 S *	12/1997	Lodge	D24/224
D454,397 S *	3/2002	Lodge	D24/224
D465,030 S *	10/2002	Lodge	D24/224
6,571,580 B1 *	6/2003	Lodge	B01L 3/5082 65/58
D480,307 S *	10/2003	Canamasas Puigbo	D28/76
D484,644 S *	12/2003	Noh	D28/76
D493,721 S *	8/2004	Puigbo	D28/76
D504,542 S *	4/2005	Noh	D28/76
D506,128 S *	6/2005	Foi	D9/715

(Continued)

Primary Examiner — Cathron C Brooks

Assistant Examiner — Sharon S Oum

(74) *Attorney, Agent, or Firm* — John G. Powell

(57) **CLAIM**

The ornamental design for a jar, as shown and described.

DESCRIPTION

FIG. 1 is a perspective view of a jar, showing our new design;

FIG. 2 is a front side view of the jar of FIG. 1;

FIG. 3 is a first side view of the jar of FIG. 1;

FIG. 4 is a back side view of the jar of FIG. 1;

FIG. 5 is a second side view of the jar of FIG. 1;

FIG. 6 is a top view of the jar of FIG. 1;

FIG. 7 is a perspective view of another embodiment of a jar, showing our new design;

FIG. 8 is a front side view of the jar of FIG. 7;

FIG. 9 is a first side view of the jar of FIG. 7;

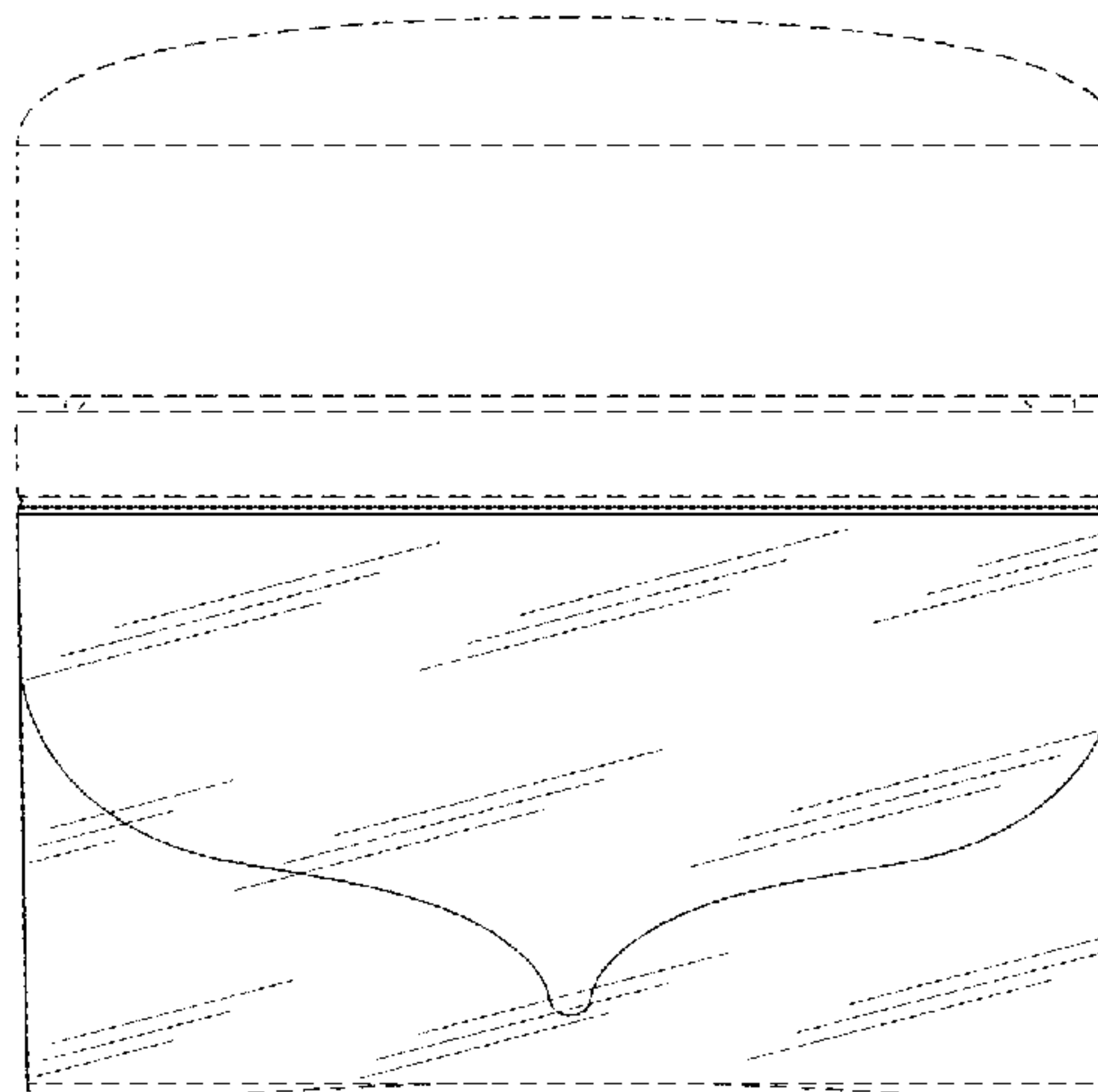
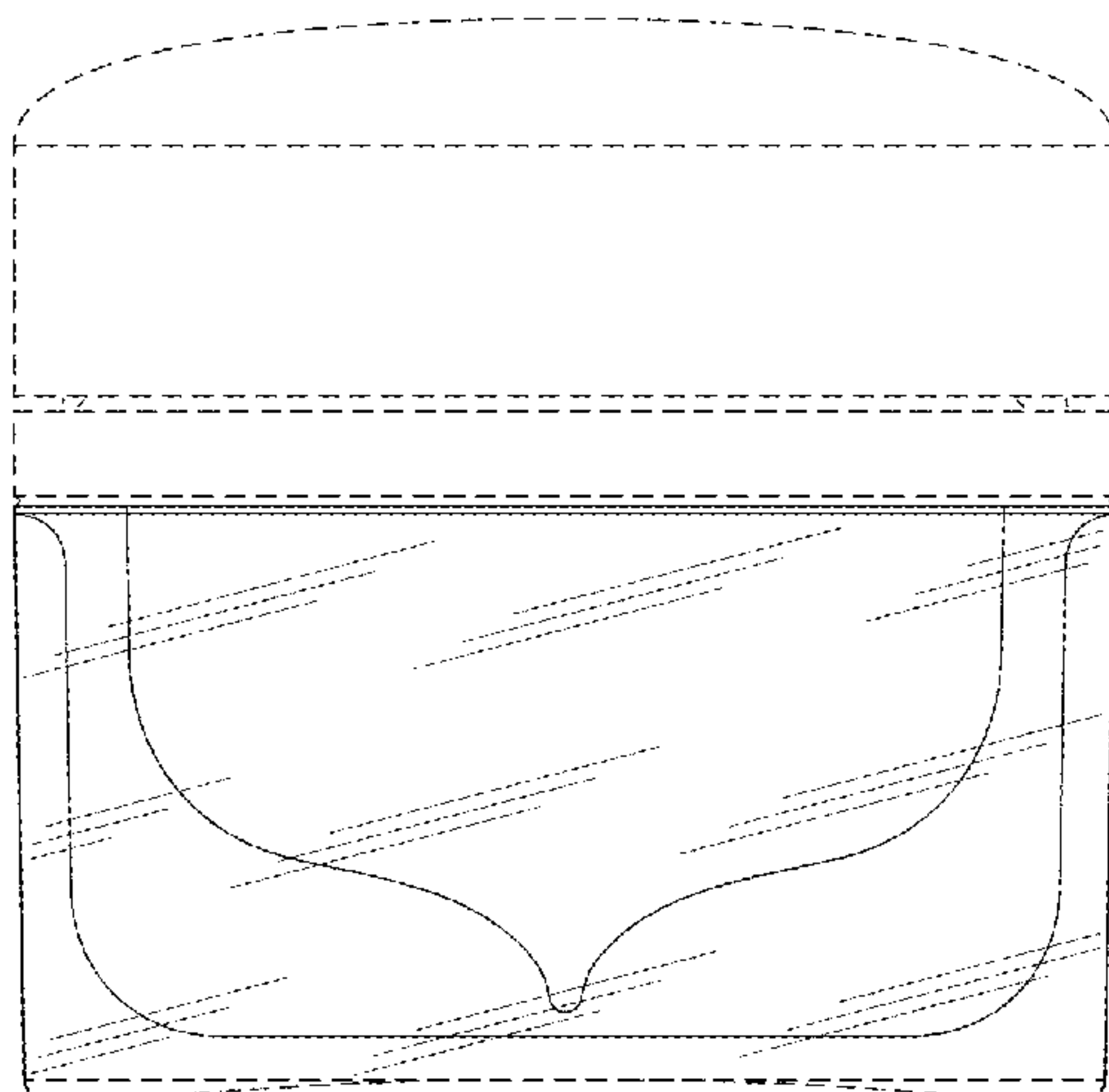
FIG. 10 is a back side view of the jar of FIG. 7;

FIG. 11 is a second side view of the jar of FIG. 7; and,

FIG. 12 is a top view of the jar of FIG. 7.

The broken lines shown in the drawings illustrate portions of the jar that form no part of the claimed design.

1 Claim, 8 Drawing Sheets



(56)

References Cited

U.S. PATENT DOCUMENTS

D522,695 S *	6/2006	Desdoigts	D28/82	D615,868 S *	5/2010	Rodriguez	D28/76
D530,208 S *	10/2006	Danne	D9/504	D634,202 S *	3/2011	Zamberlan	D9/504
D532,556 S *	11/2006	Noh	D28/76	D640,925 S *	7/2011	Rodriguez	D28/76
D532,937 S *	11/2006	Noh	D28/76	D645,749 S *	9/2011	Lee	D9/454
D540,688 S *	4/2007	Lascaux	D9/560	D645,750 S *	9/2011	Lee	D9/445
D554,764 S *	11/2007	Gerretz	D24/224	D649,056 S *	11/2011	Puigbo	D9/504
D555,835 S *	11/2007	Song	D28/76	D659,537 S *	5/2012	Ritzenhoff	D23/366
D561,943 S *	2/2008	Desdoigts	D28/82	D696,948 S *	1/2014	Kim	D9/454
D573,035 S *	7/2008	Dean	D9/503	D699,112 S *	2/2014	Jung	D28/76
D578,891 S *	10/2008	Canamasas Puigbo	D9/500	D731,891 S *	6/2015	Servaire	D9/504
D584,946 S *	1/2009	Rica	D9/500	D740,029 S *	10/2015	Otto	D3/302
D588,751 S *	3/2009	Mongeon	D28/76	D741,603 S *	10/2015	Mehta	D4/116
D595,577 S *	7/2009	Uneno	D28/76	D755,051 S *	5/2016	Otani	D9/451
D595,578 S *	7/2009	Del Tedesco Zamberlan	D28/76	D756,226 S *	5/2016	In	D9/504
				D781,151 S *	3/2017	Lerman	D9/500
D613,168 S *	4/2010	Rowland	D9/504	D797,559 S *	9/2017	Lerman	D9/500
D613,603 S *	4/2010	Rowland	D9/504	D799,328 S *	10/2017	Canamasas Puigbo	D9/529
D613,604 S *	4/2010	Rowland	D9/504	D817,097 S *	5/2018	Arora	D7/523
				D817,763 S *	5/2018	Isaksen	D9/500
				D821,216 S *	6/2018	Weinrich	D9/560
				D835,508 S *	12/2018	Burrowes	D9/500

* cited by examiner

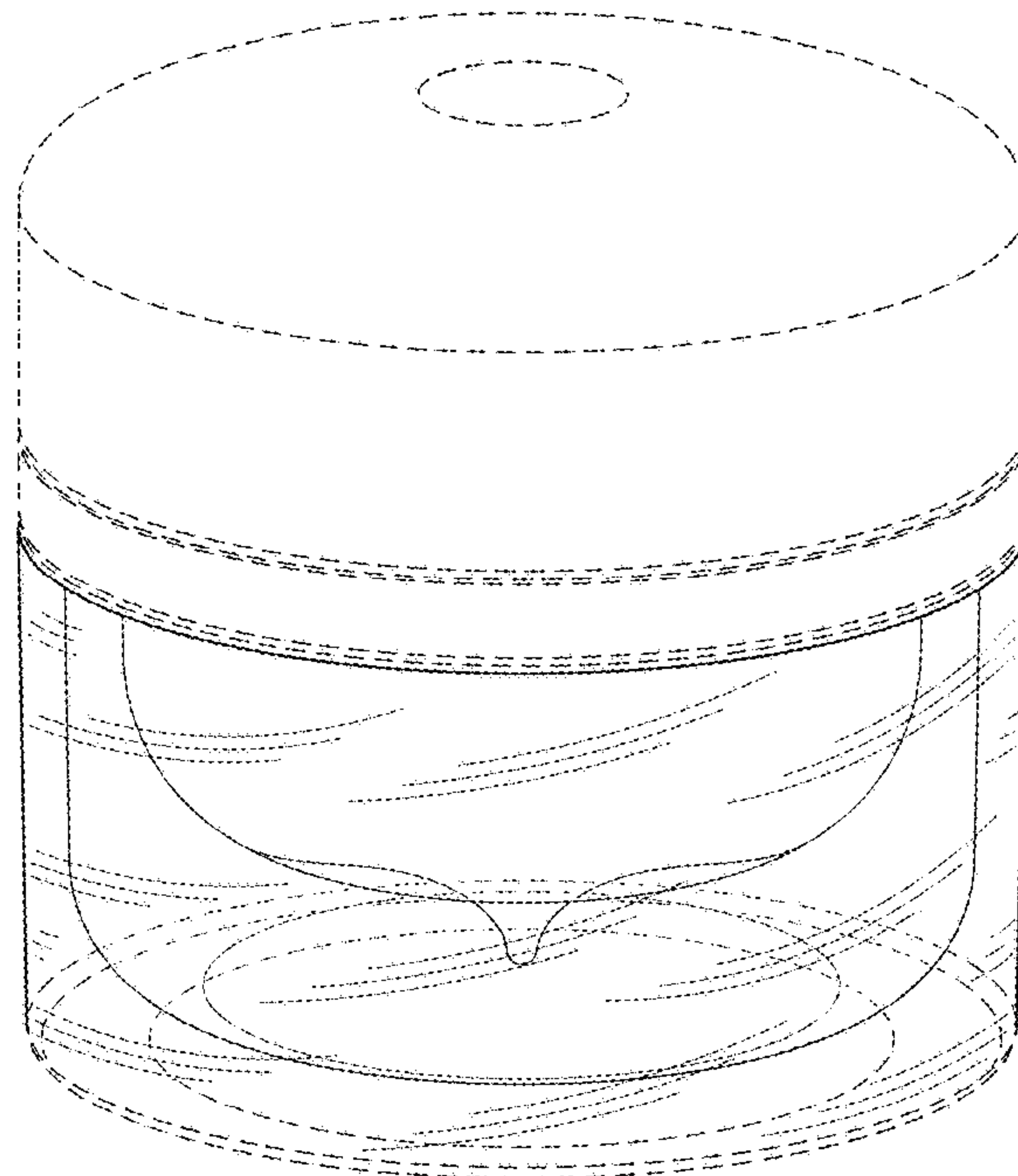


FIG. 1

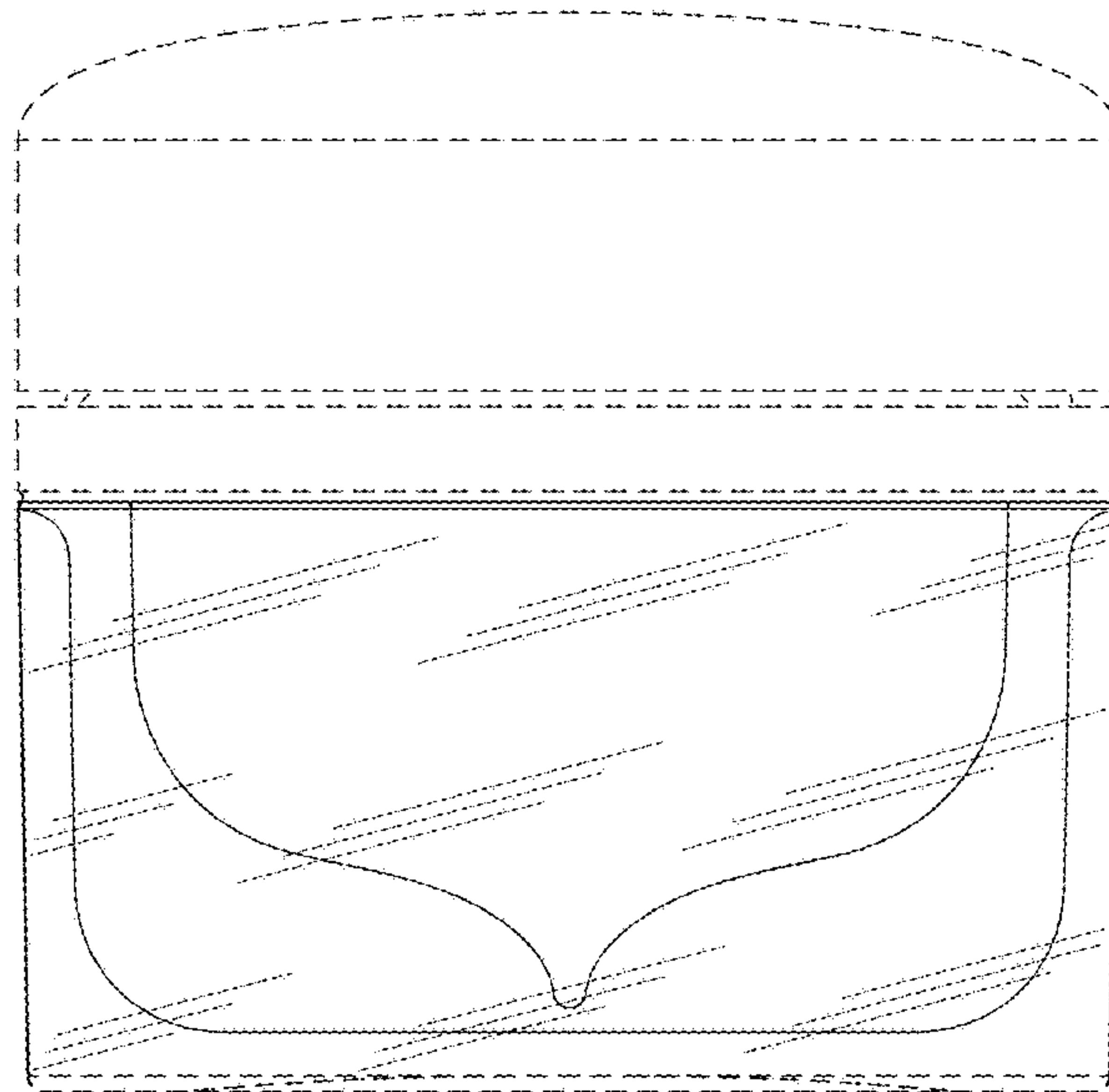


FIG. 2

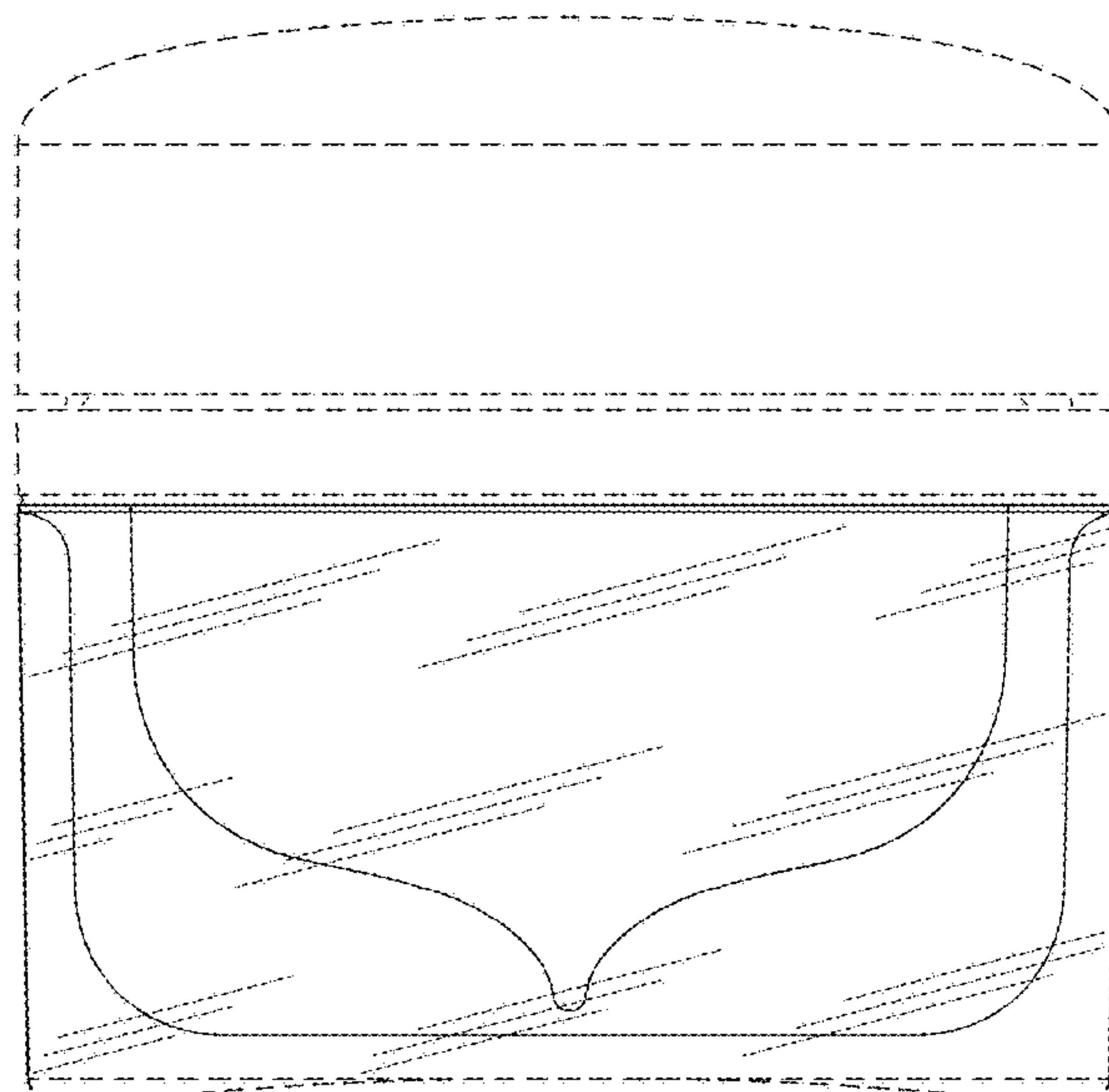


FIG. 3

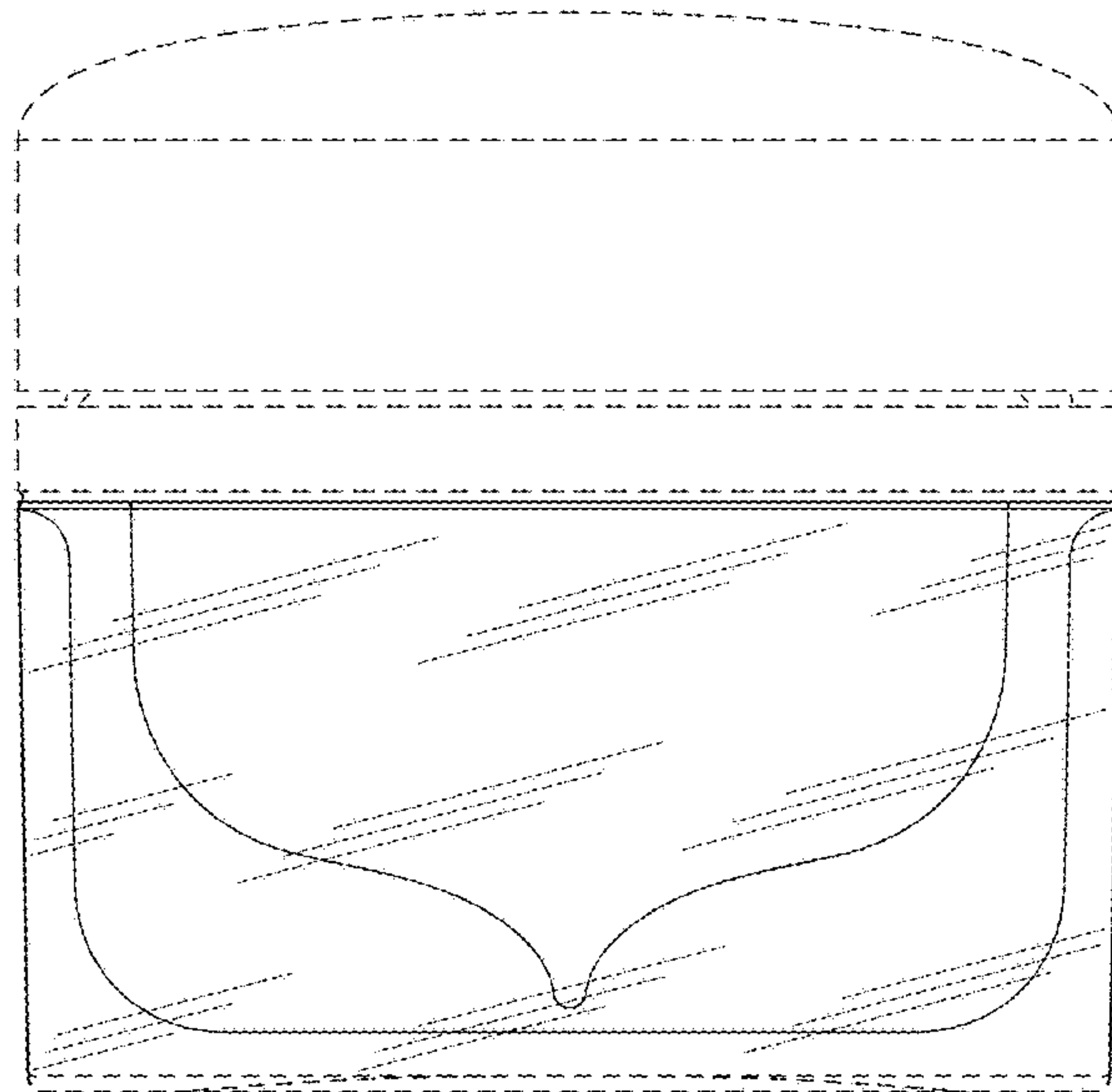


FIG. 4

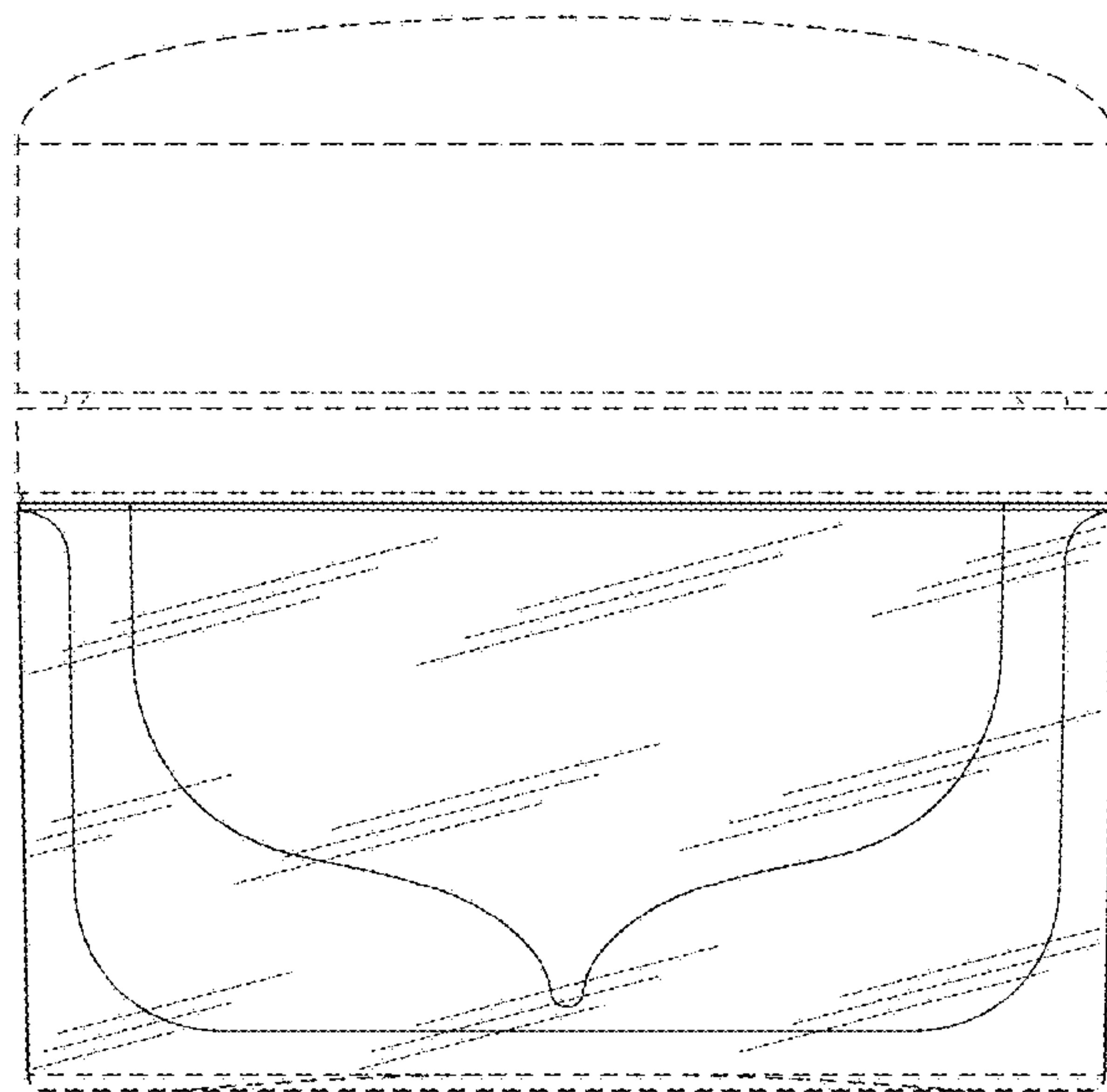


FIG. 5

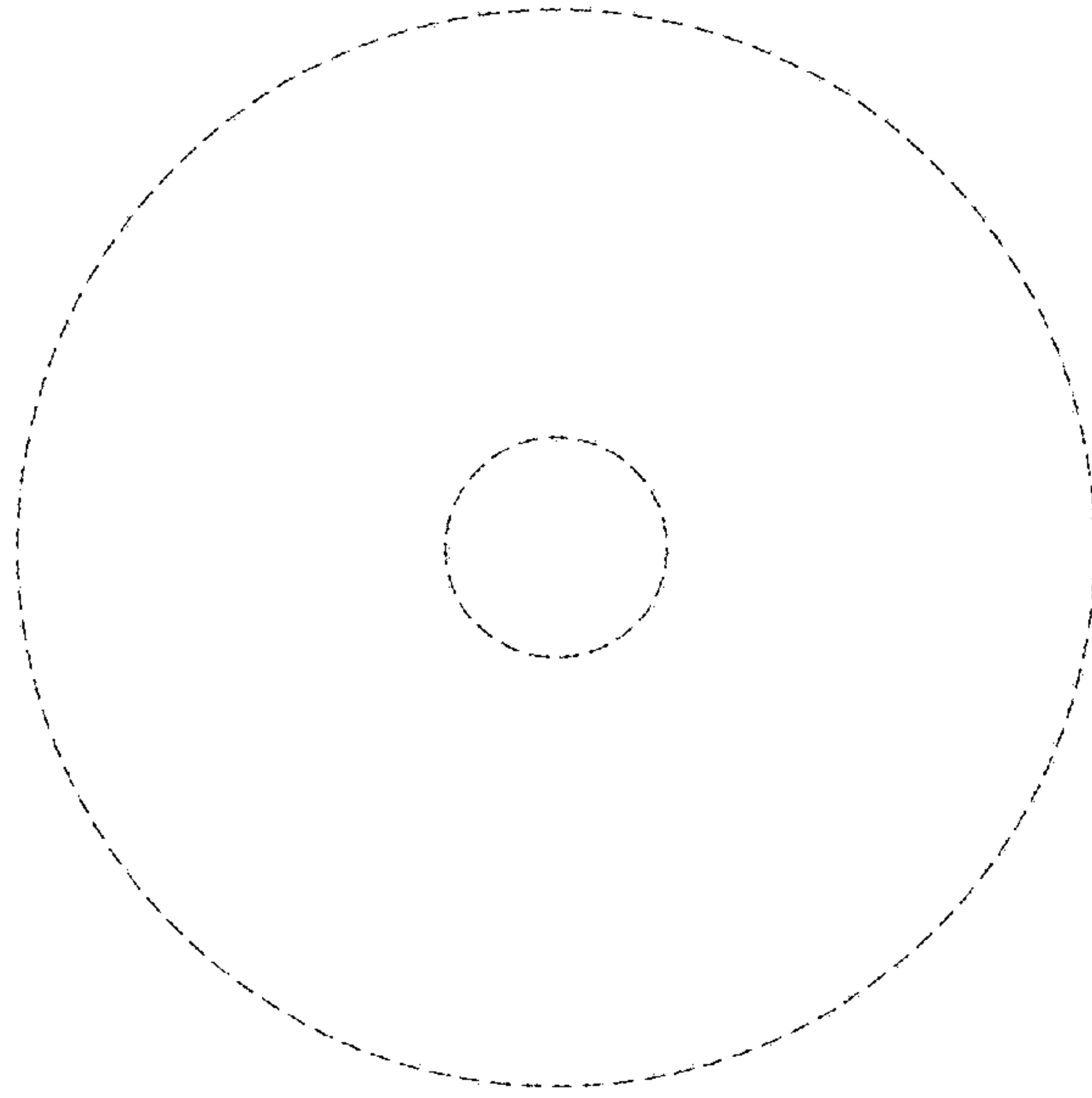


FIG. 6

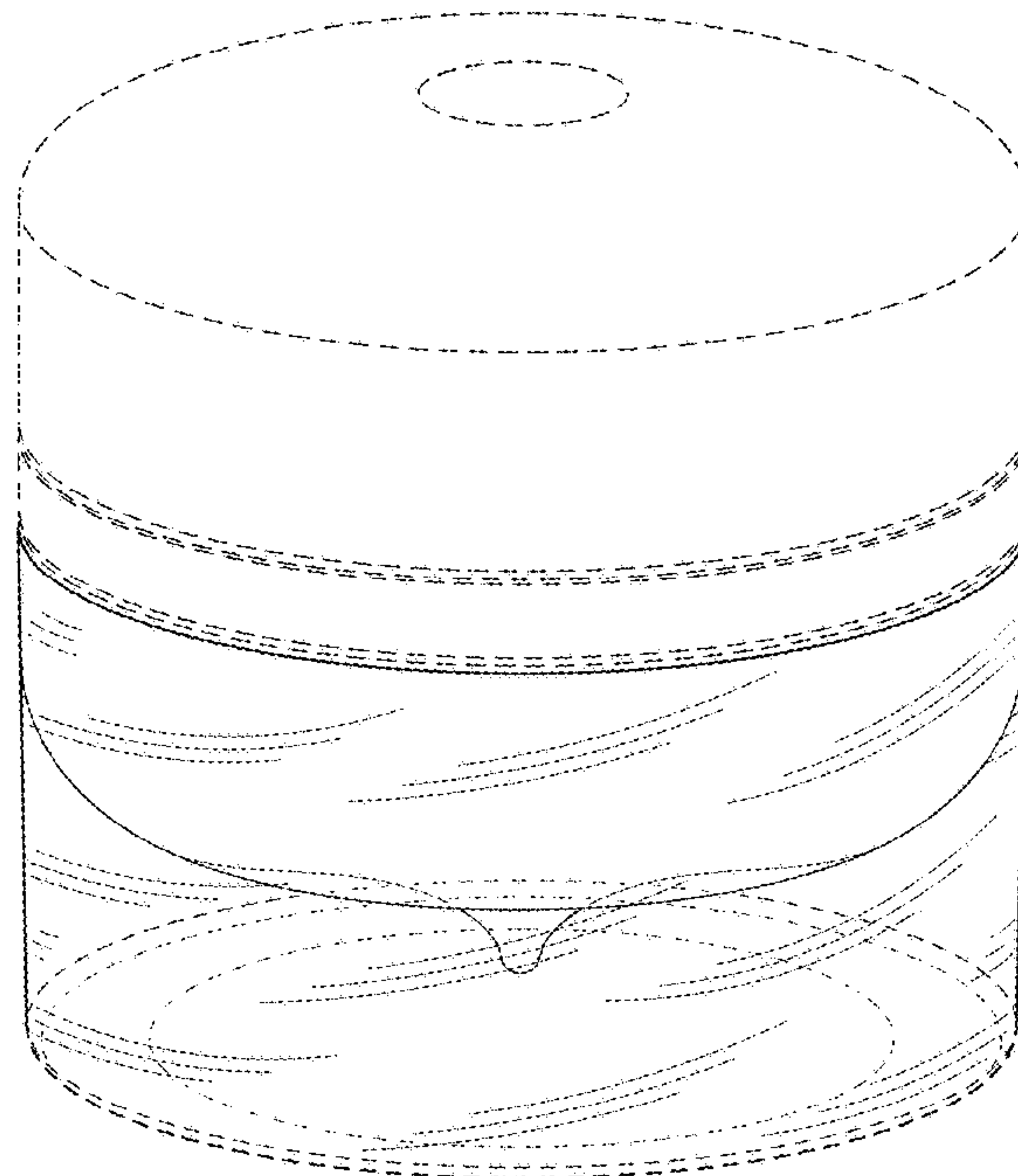


FIG. 7

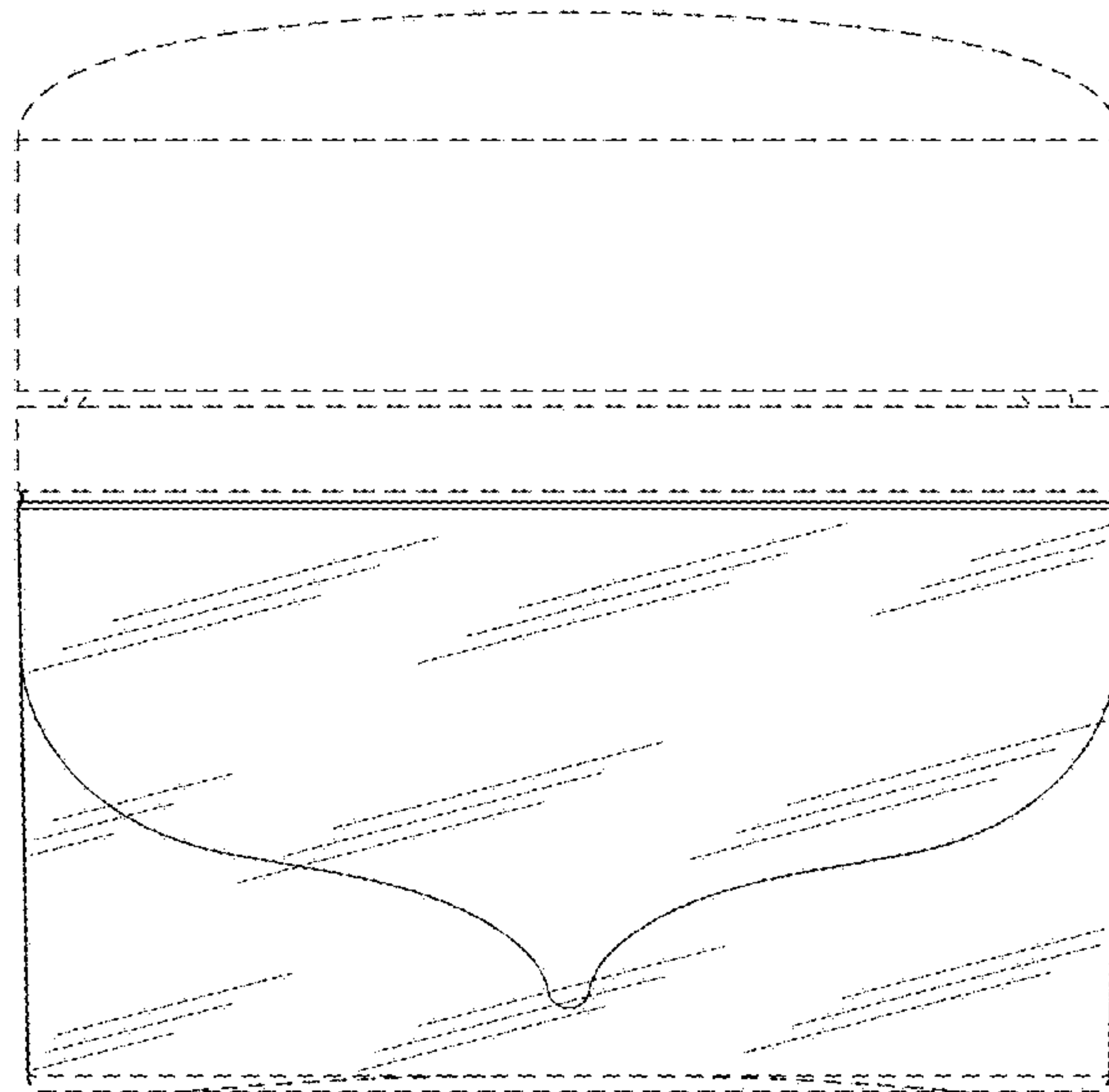


FIG. 8

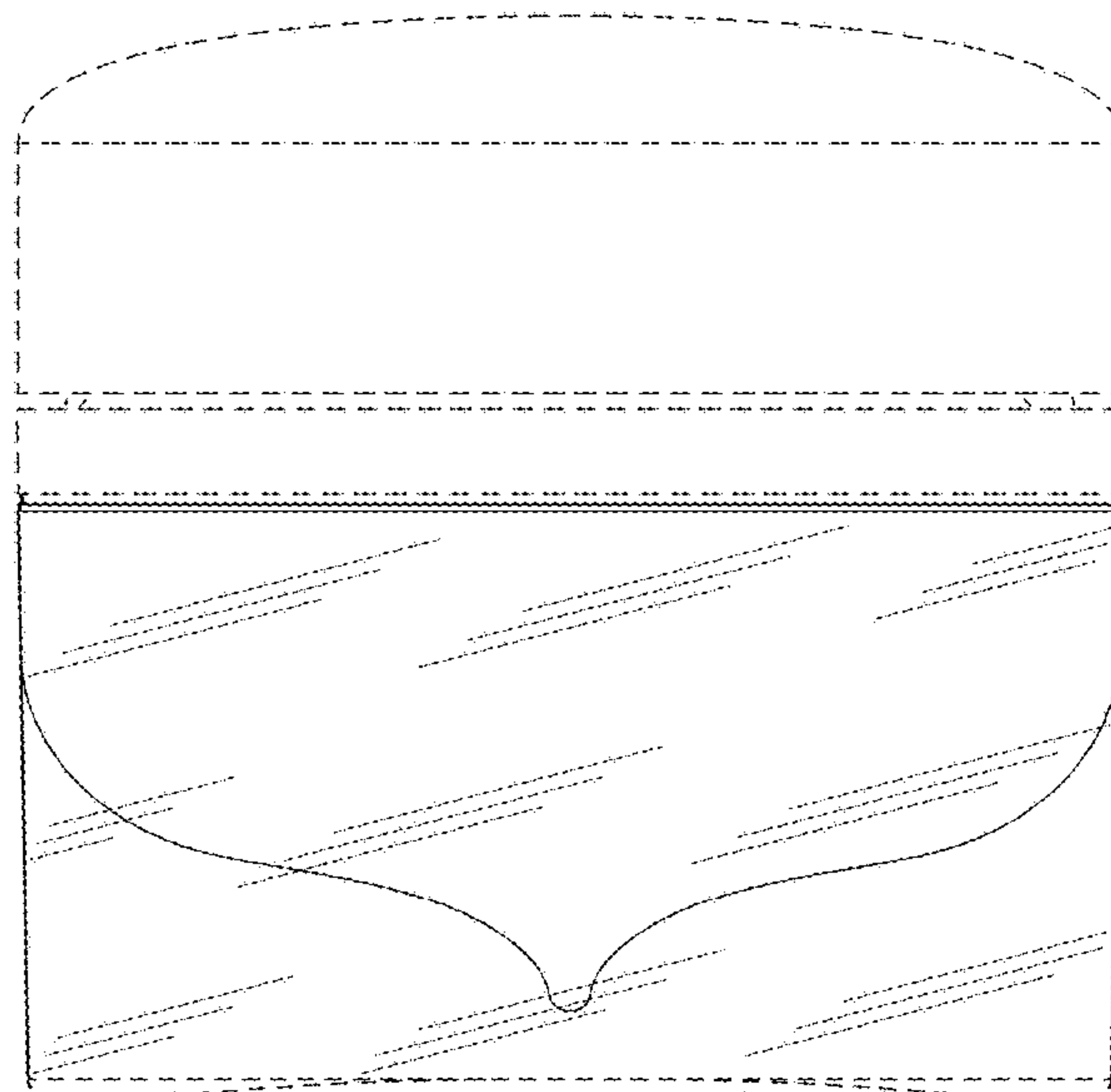


FIG. 9

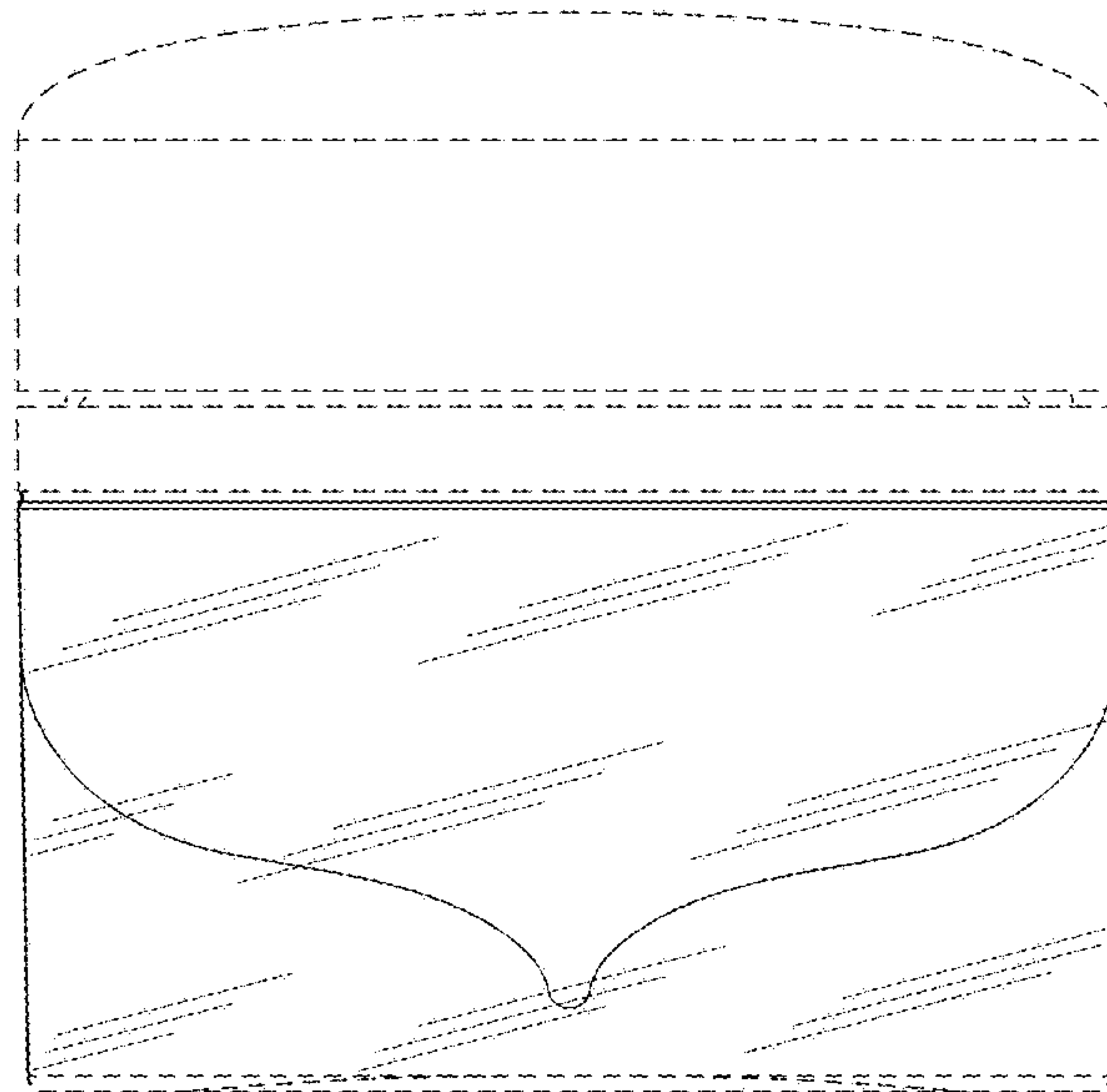


FIG. 10

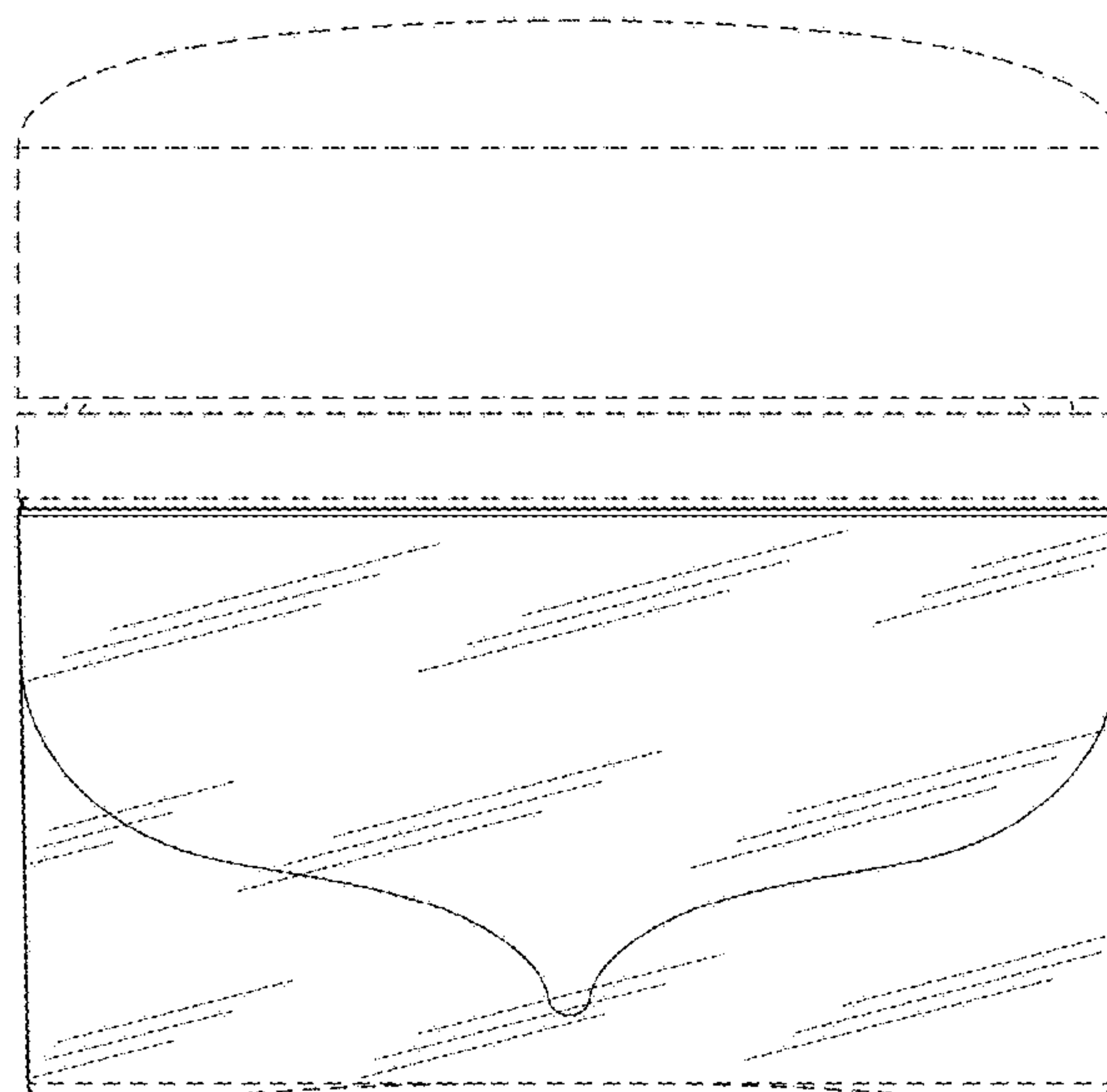


FIG. 11

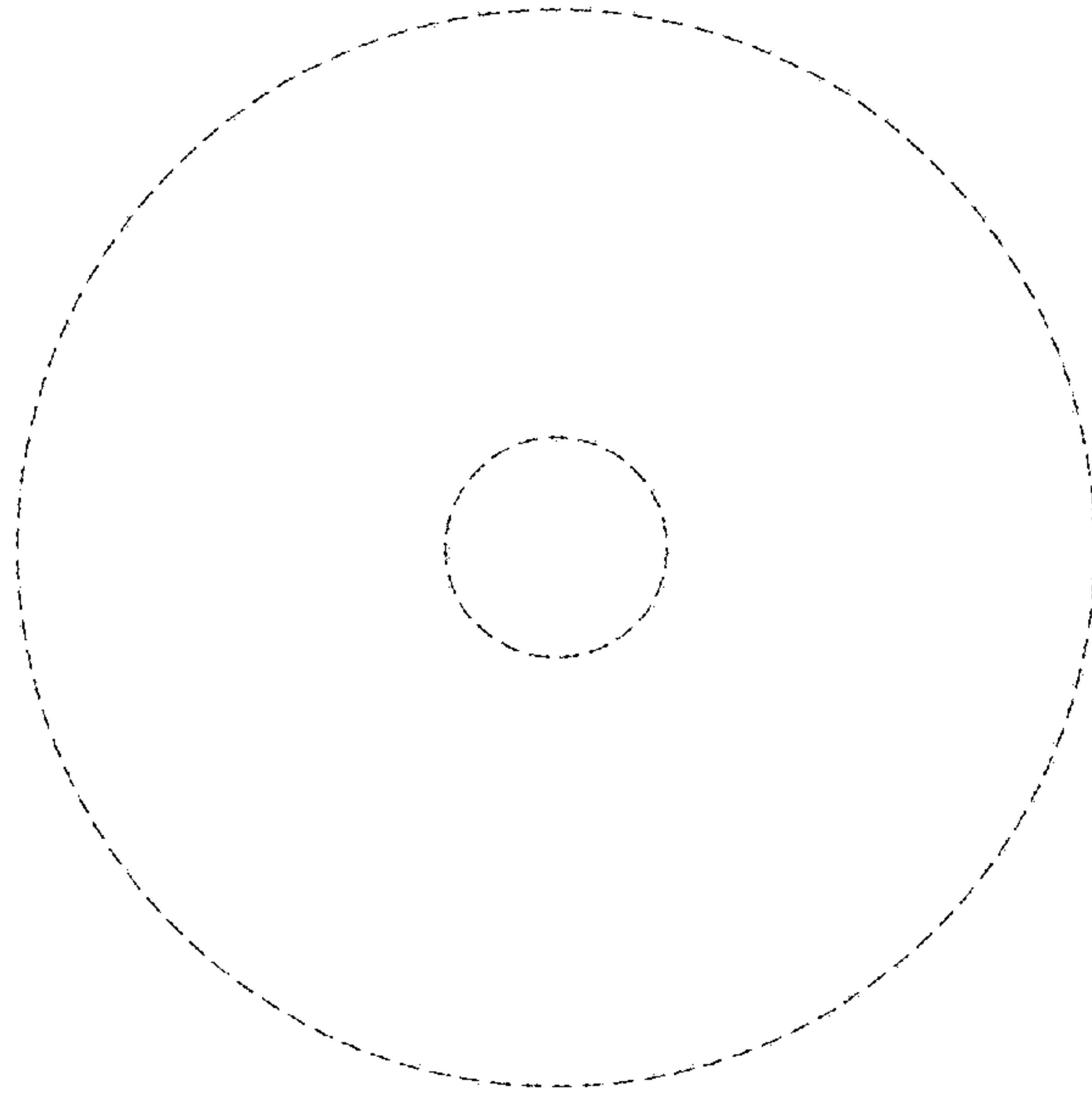


FIG. 12