



US00D862231S

(12) **United States Design Patent**
Hatcher et al.

(10) **Patent No.:** **US D862,231 S**

(45) **Date of Patent:** **** Oct. 8, 2019**

(54) **DUAL PACKAGING TRAY**

(71) Applicant: **R.J. Reynolds Tobacco Company**,
Winston-Salem, NC (US)

(72) Inventors: **Mark Shane Hatcher**, Pfafftown, NC (US); **Wesley Steven Jones**, Lexington, NC (US); **Laya Katina Palmer Horton**, Winston-Salem, NC (US); **Jared Aller**, Winston-Salem, NC (US); **Joseph Dominique**, Winston-Salem, NC (US); **Adam Richardson**, Pleasanton, CA (US); **Christopher George Palmer**, Pleasanton, CA (US); **Jeremiah Robert Etchison**, Livermore, CA (US)

(73) Assignee: **R.J. Reynolds Tobacco Company**,
Winston-Salem, NC (US)

(**) Term: **15 Years**

(21) Appl. No.: **29/618,140**

(22) Filed: **Sep. 19, 2017**

(51) **LOC (12) Cl.** **09-07**

(52) **U.S. Cl.**
USPC **D9/456**

(58) **Field of Classification Search**
USPC D3/272, 273, 302, 304, 310, 313, 315,
D3/319, 901; D6/512, 515-525;
(Continued)

(56) **References Cited**

U.S. PATENT DOCUMENTS

D153,996 S * 5/1949 Treiss D9/756
D238,932 S * 2/1976 Thomas D9/425
(Continued)

OTHER PUBLICATIONS

Marlboro iQos Smoking Device: announced Dec. 4, 2016 [online].
Site visited [May 11, 2018]. Availalbe from internet URL: <https://www.youtube.com/watch?v=cuXYaLH6PWY>.*

Primary Examiner — Jennifer Rivard

Assistant Examiner — Catherine A Posthauer

(74) *Attorney, Agent, or Firm* — Womble Bond Dickinson (US) LLP

(57) **CLAIM**

The ornamental design for a dual packaging tray, as shown and described.

DESCRIPTION

FIG. 1 is a top perspective view of an upper member of the dual packaging tray showing the new design;
FIG. 2 is a top perspective view of the upper member of the dual packaging tray rotated 180 degrees relative to FIG. 1;
FIG. 3 is a top plan view of the upper member of the dual packaging tray;
FIG. 4 is a bottom plan view of the upper member of the dual packaging tray;
FIG. 5 is a bottom perspective view of the upper member of the dual packaging tray;
FIG. 6 is a bottom perspective view of the upper member of the dual packaging tray rotated 180 degrees relative to FIG. 5;
FIG. 7 is an elevational view of a side of the upper member of the dual packaging tray, the opposing side being identical thereto;
FIG. 8 is an elevational view of an end of the upper member of the dual packaging tray, the opposing side being identical thereto;
FIG. 9 is a top perspective view of a lower member of the dual packaging tray;
FIG. 10 is a top perspective view of the lower member of the dual packaging tray rotated 180 degrees relative to FIG. 9;
FIG. 11 is a top plan view of the lower member of the dual packaging tray;
FIG. 12 is a bottom plan view of the lower member of the dual packaging tray;
FIG. 13 is a bottom perspective view of the lower member of the dual packaging tray;

(Continued)

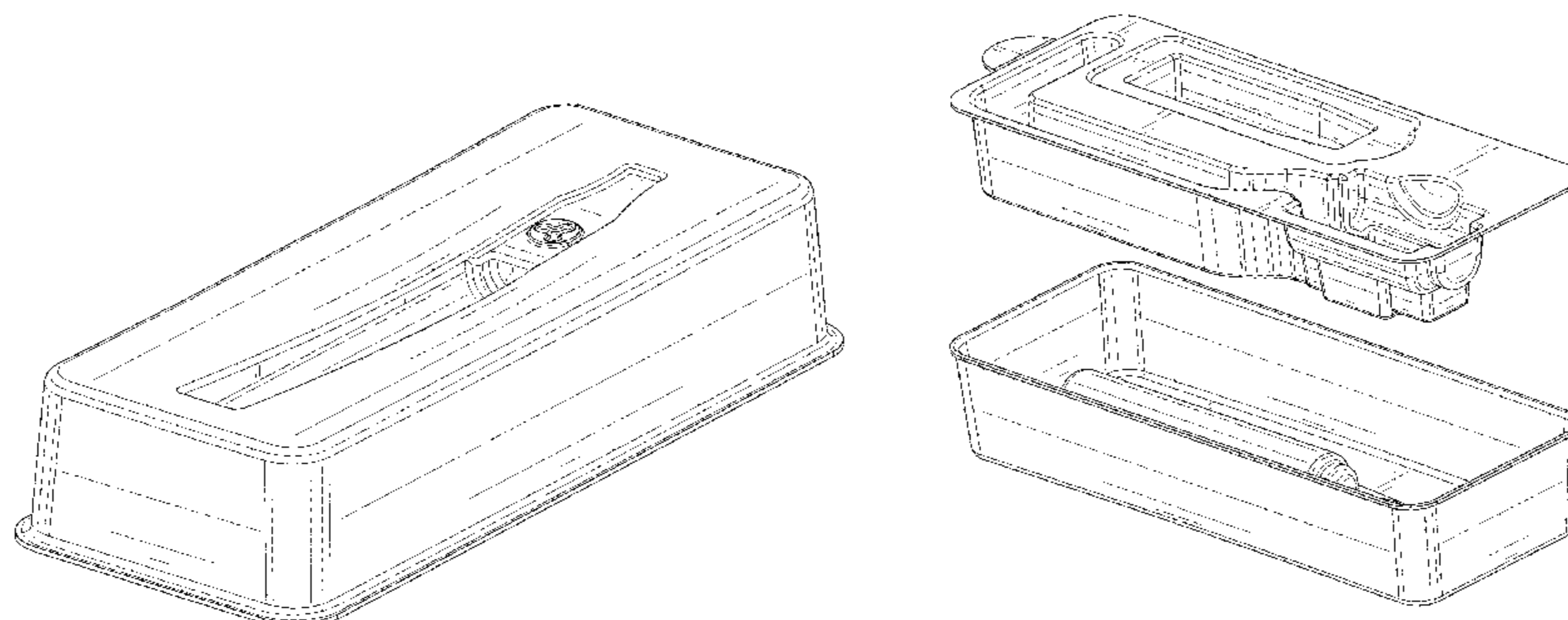


FIG. 14 is a bottom perspective view of the lower member of the dual packaging tray rotated 180 degrees relative to FIG. 13;
 FIG. 15 is an elevational view of an end of the lower member of the dual packaging tray;
 FIG. 16 is an elevational view of the opposing end of the lower member of the dual packaging tray;
 FIG. 17 is an elevational view of a side of the lower member of the dual packaging tray;
 FIG. 18 is an elevational view of the opposing side of the lower member of the dual packaging tray;
 FIG. 19 is a top perspective view of the dual packaging tray with the upper member combined with the lower member;
 FIG. 20 is a bottom perspective view of the dual packaging tray with the upper member combined with the lower member;
 FIG. 21 is a top perspective view of the dual packaging tray with the upper member separated from the lower member;
 FIG. 22 is a top perspective view of the dual packaging tray with the upper member separated from the lower member, the dual packaging tray being rotated 180 degrees relative to FIG. 21;
 FIG. 23 is a bottom perspective view of the dual packaging tray with the upper member separated from the lower member;
 FIG. 24 is a bottom perspective view of the dual packaging tray with the upper member separated from the lower member, the dual packaging tray being rotated 180 degrees relative to FIG. 23;
 FIG. 25 is an elevational view of an end of the dual packaging tray;
 FIG. 26 is an elevational view of the opposing end of the dual packaging tray;
 FIG. 27 is an elevational view of a side of the dual packaging tray; and,
 FIG. 28 is an elevational view of the opposing side of the dual packaging tray.
 The broken lines are shown for the purpose of illustrating parts of the article that form no part of the claim.

1 Claim, 28 Drawing Sheets

(58) **Field of Classification Search**

USPC D7/396.1, 505, 550.1, 553.1, 553.2, D7/553.4, 554.3, 554.5, 602, 611, 701, D7/323, 354, 391, 392, 392.1, 503, 552.1, D7/554.1, 586, 600.1, 614, 704; D9/414, D9/432, 455, 456, 756, 757, 758, 791, D9/762, 418, 420-426, 427, 431, 433, D9/434, 435, 517, 737, 739, 740, 741, D9/744, 745; D19/106; D23/280; D26/121

CPC B65D 1/243; B65D 2501/24019; B65D 2501/24108; B65D 2501/24254; B65D 2501/2435; B65D 2501/24764; B65D 2501/24834; B65D 21/036; B65D 21/022; B65D 21/0233; B65D 51/02; B65D 51/36; B65D 25/24; B65D 25/2826; B65D 43/022; B65D 75/24; B65D 75/323; B65D 75/327; B65D 81/025; B65D 5/00; B65D 5/001; B65D 5/0015; B65D 5/0254; B65D 5/0045; B65D 5/18; B65D 1/225; B65D 1/24; B65D 1/34; B65D 1/38; B65D 75/22; B65D 75/366; B65D 43/162; A45D 27/29; A47F 1/126

See application file for complete search history.

(56)

References Cited

U.S. PATENT DOCUMENTS

| | | | | | |
|--------------|------|---------|-------------|-------|-------------------------|
| D333,237 | S * | 2/1993 | Plaut | | D7/549 |
| 5,540,324 | A * | 7/1996 | Knapp | | A45C 11/16 206/348 |
| D403,961 | S * | 1/1999 | Warren | | D9/456 |
| D417,391 | S * | 12/1999 | Szczepanski | | D9/423 |
| 6,105,765 | A * | 8/2000 | Chu | | B65D 81/025 206/320 |
| D572,588 | S * | 7/2008 | Osborn | | D9/456 |
| D606,395 | S * | 12/2009 | Franczyk | | D9/756 |
| D629,686 | S * | 12/2010 | Velazquez | | D9/456 |
| D631,353 | S * | 1/2011 | Gelardi | | D9/455 |
| D631,354 | S * | 1/2011 | Gelardi | | D9/455 |
| D631,747 | S * | 2/2011 | Gelardi | | D9/455 |
| D661,189 | S * | 6/2012 | Fahy | | D9/456 |
| D661,190 | S * | 6/2012 | Fahy | | D9/456 |
| D677,163 | S * | 3/2013 | Jones | | D9/456 |
| 8,584,849 | B2 * | 11/2013 | McCaffrey | | A61M 25/002 206/364 |
| D698,644 | S * | 2/2014 | Teopas | | D24/227 |
| D702,118 | S * | 4/2014 | Gianoli | | D9/424 |
| D723,920 | S * | 3/2015 | Wakeham | | D9/456 |
| D724,601 | S * | 3/2015 | Hsieh | | D14/480.3 |
| D736,616 | S * | 8/2015 | Suen | | D9/425 |
| D740,650 | S * | 10/2015 | Waldron | | D9/414 |
| D748,498 | S * | 2/2016 | Pipes | | D9/424 |
| D749,417 | S * | 2/2016 | Bate | | D9/456 |
| D756,223 | S * | 5/2016 | Pipes | | D9/456 |
| D764,285 | S * | 8/2016 | Akana | | D9/432 |
| D767,988 | S * | 10/2016 | Wu | | D9/415 |
| D787,931 | S * | 5/2017 | Beck | | D9/432 |
| D789,784 | S * | 6/2017 | Hendricks | | D9/424 |
| D798,708 | S * | 10/2017 | Chambers | | D9/432 |
| D810,585 | S * | 2/2018 | Kim | | D9/737 |
| D816,501 | S * | 5/2018 | Oldham | | D9/456 |
| D817,172 | S * | 5/2018 | Jones | | D9/456 |
| 2006/0213800 | A1 * | 9/2006 | Ballard | | B65D 43/162 206/470 |
| 2010/0308038 | A1 * | 12/2010 | Davidson | | B65D 81/025 220/4.21 |
| 2015/0114855 | A1 * | 4/2015 | Glick | | A61F 2/1691 206/204 |
| 2017/0297803 | A1 * | 10/2017 | Chambers | | B65D 5/0254 |
| 2018/0079579 | A1 * | 3/2018 | Chen | | B65D 81/022 |

* cited by examiner

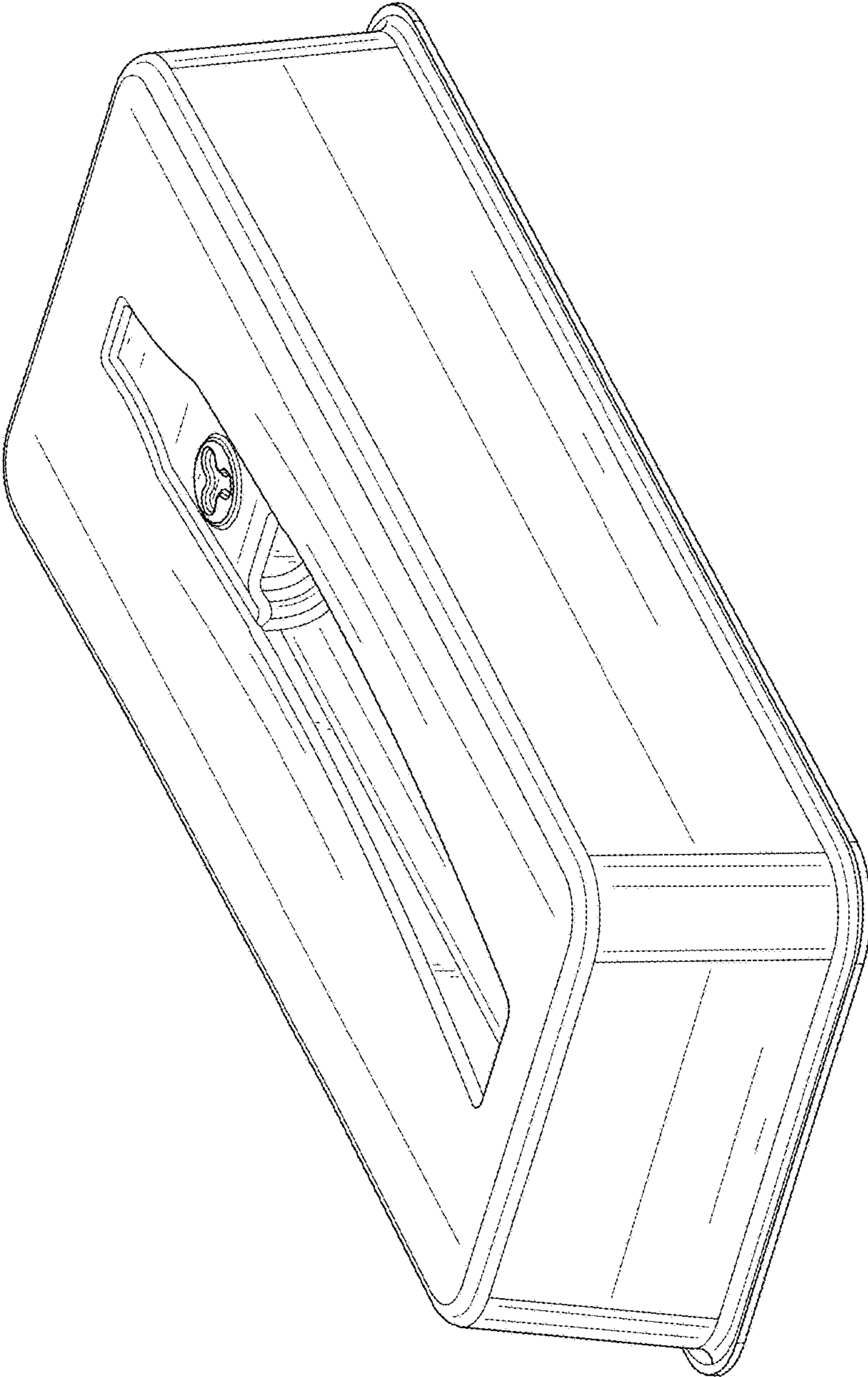


FIG. 1

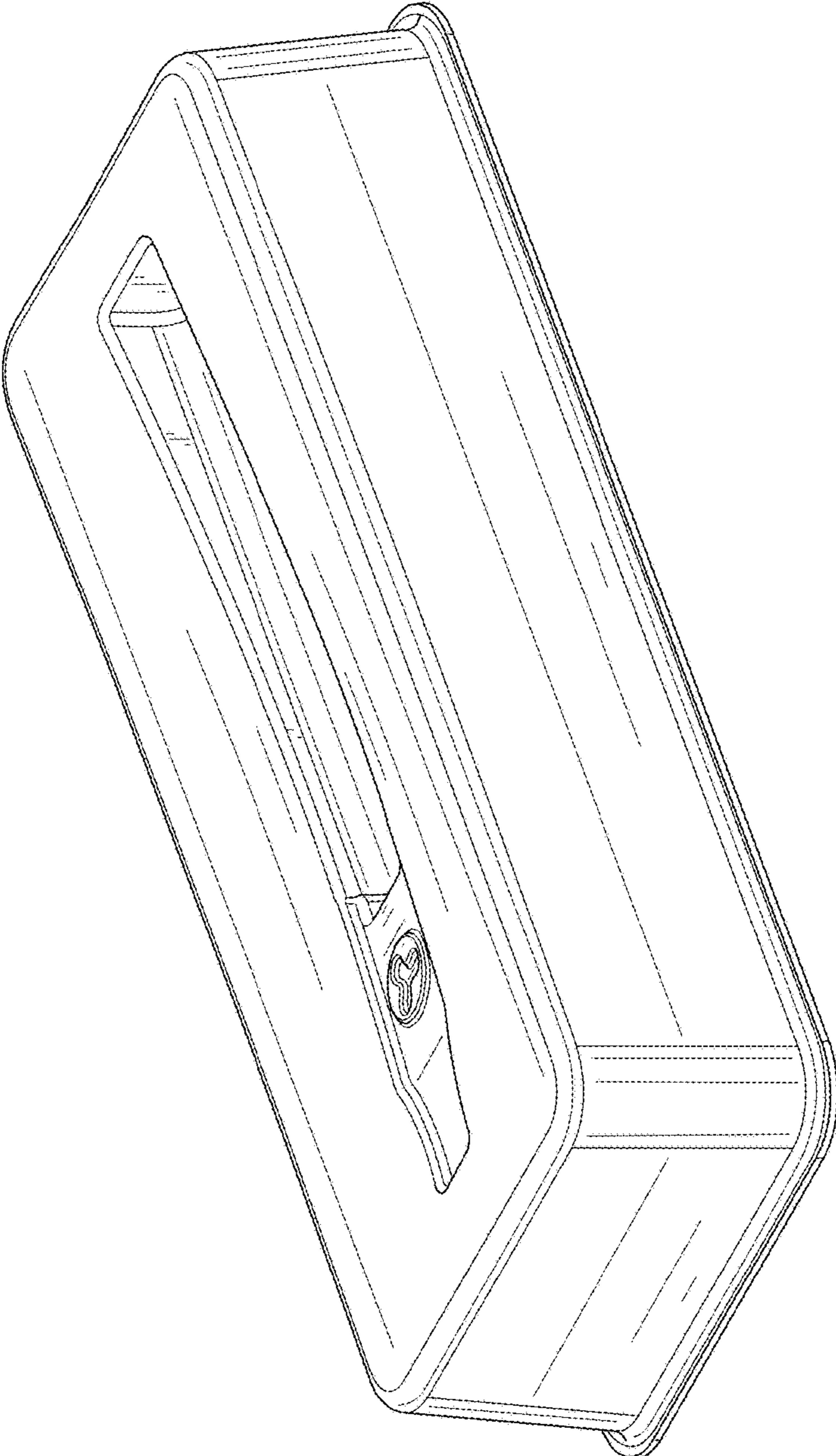


FIG. 2

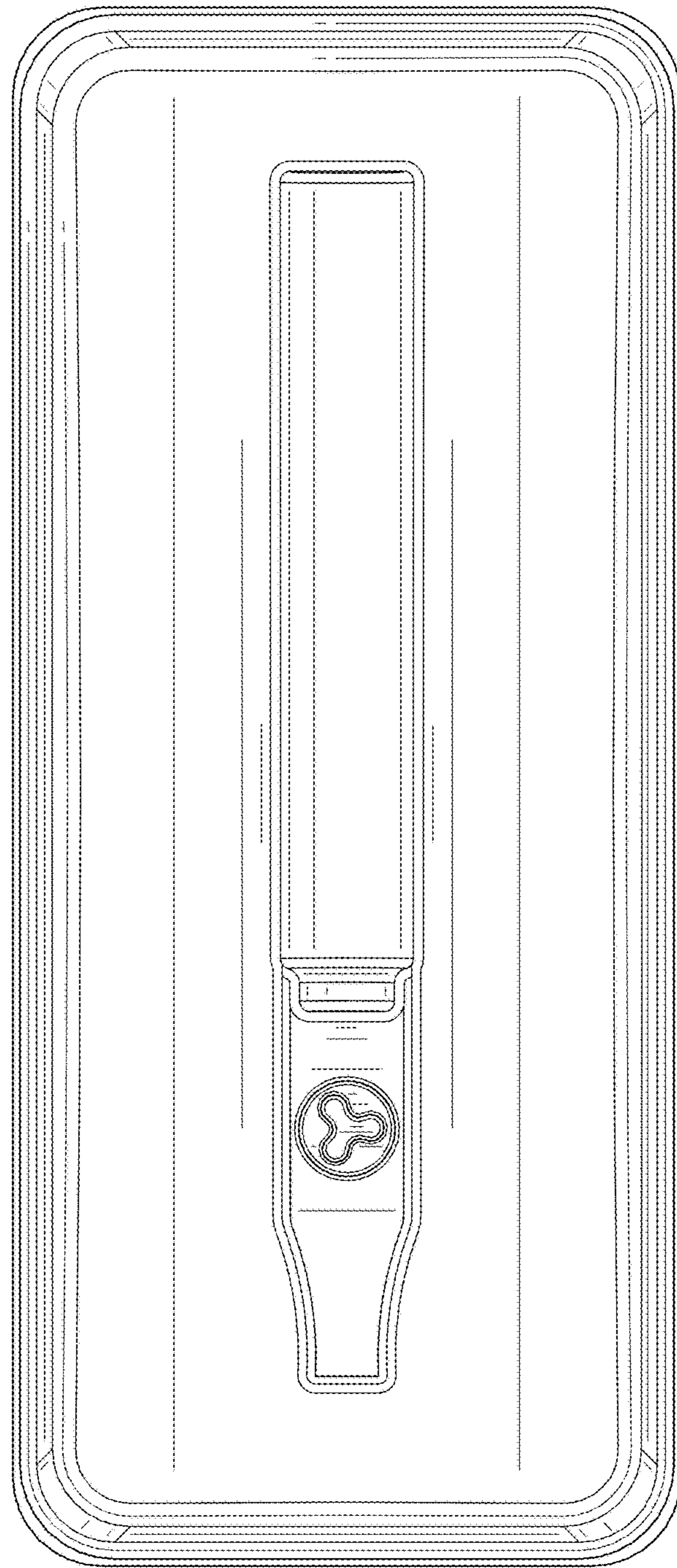


FIG. 3

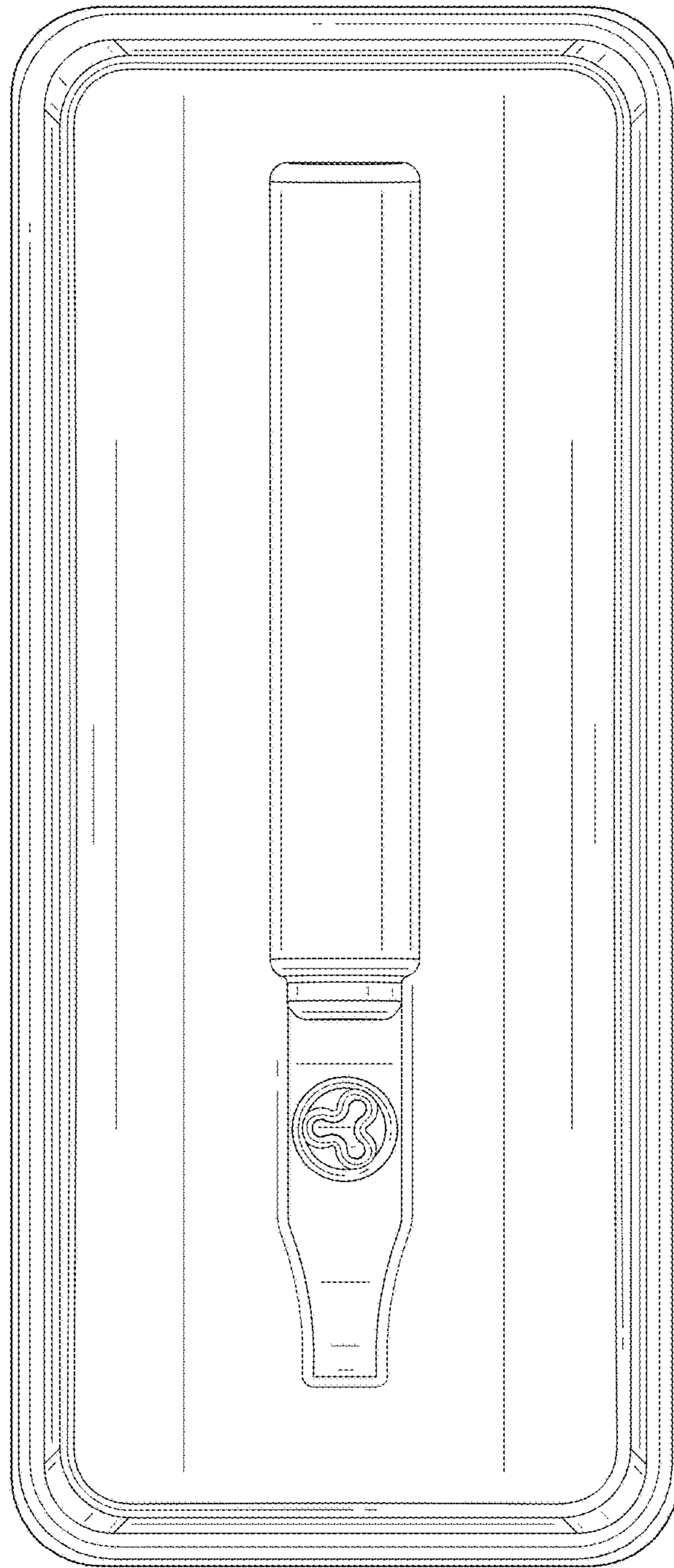


FIG. 4

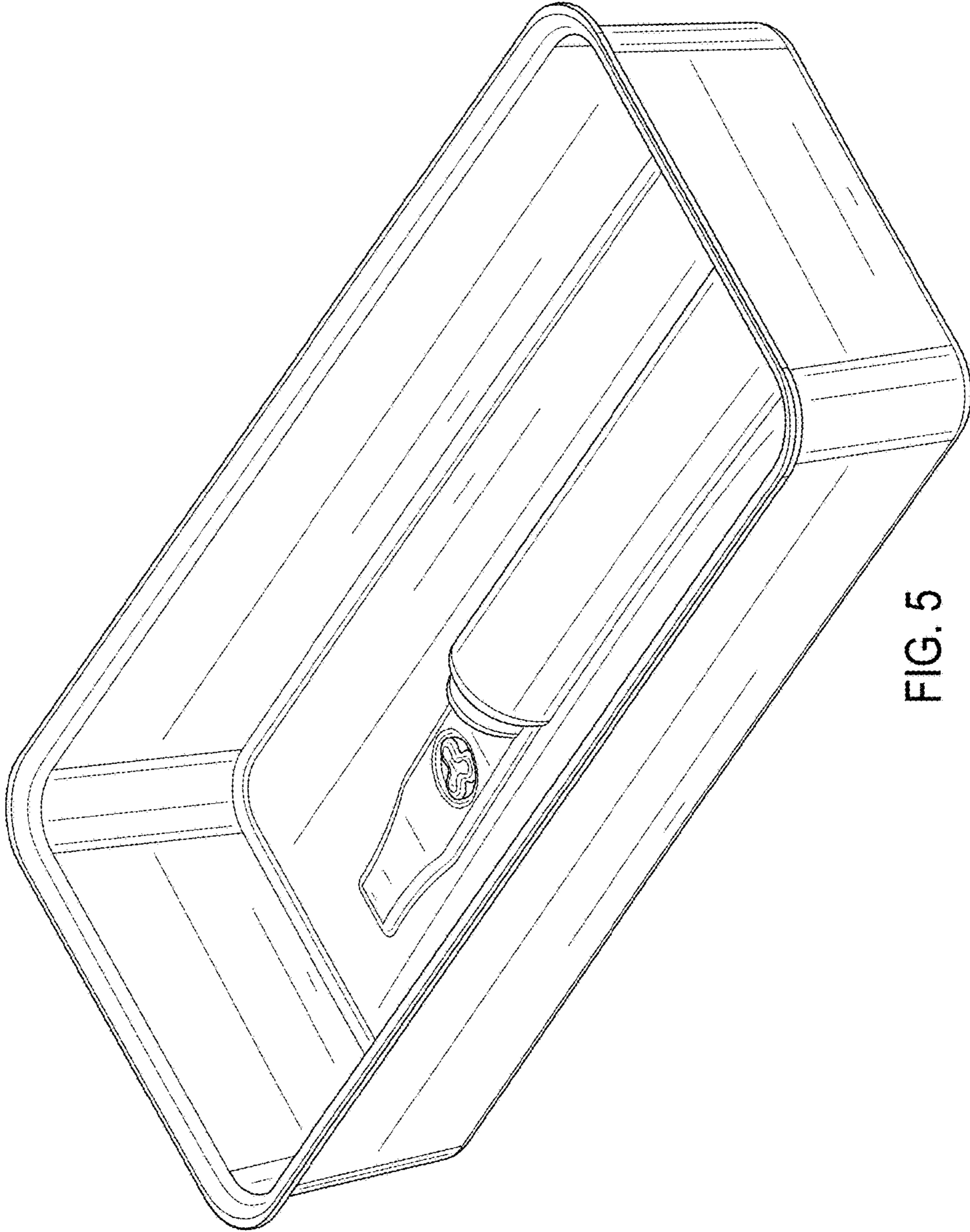


FIG. 5

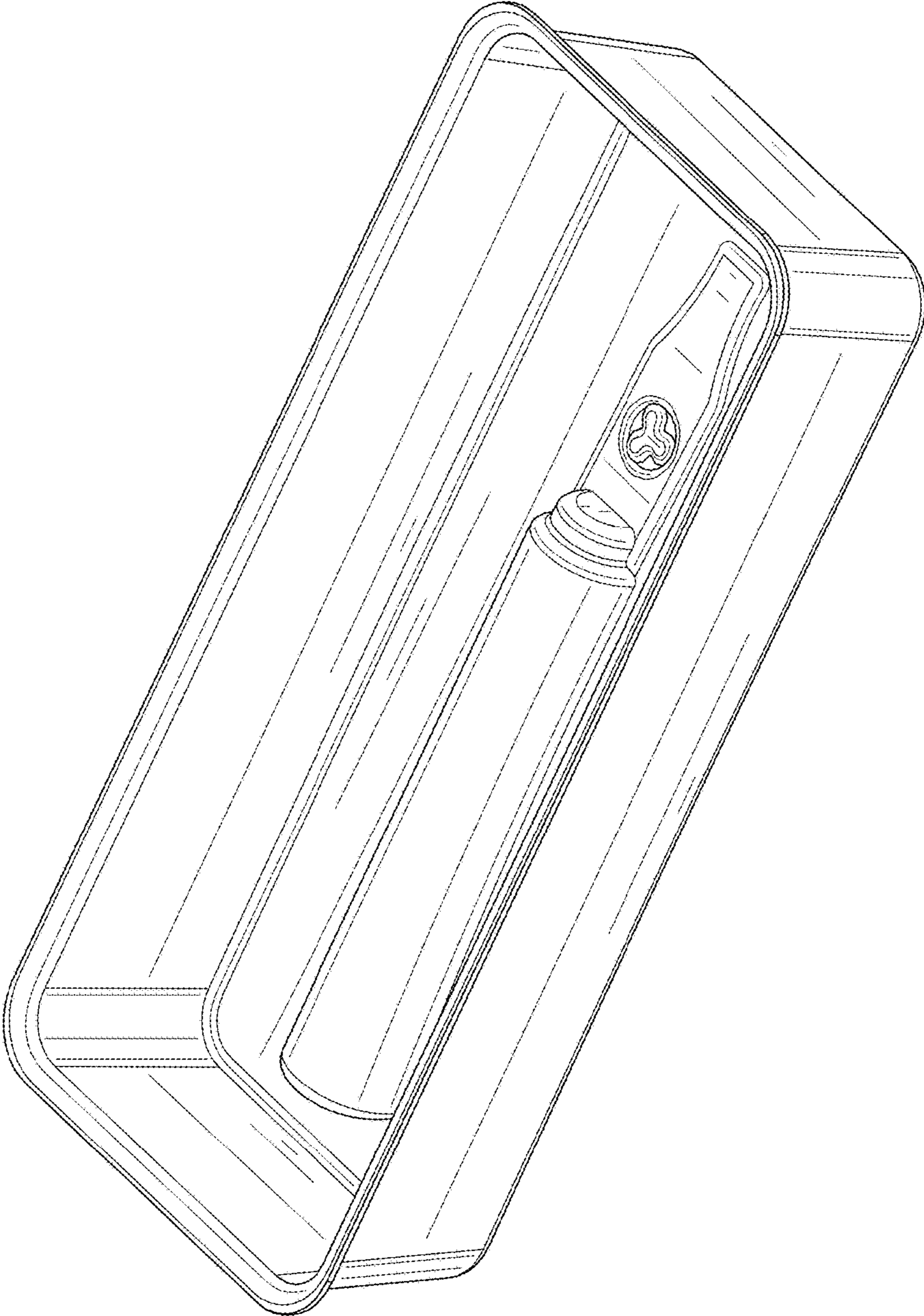


FIG. 6

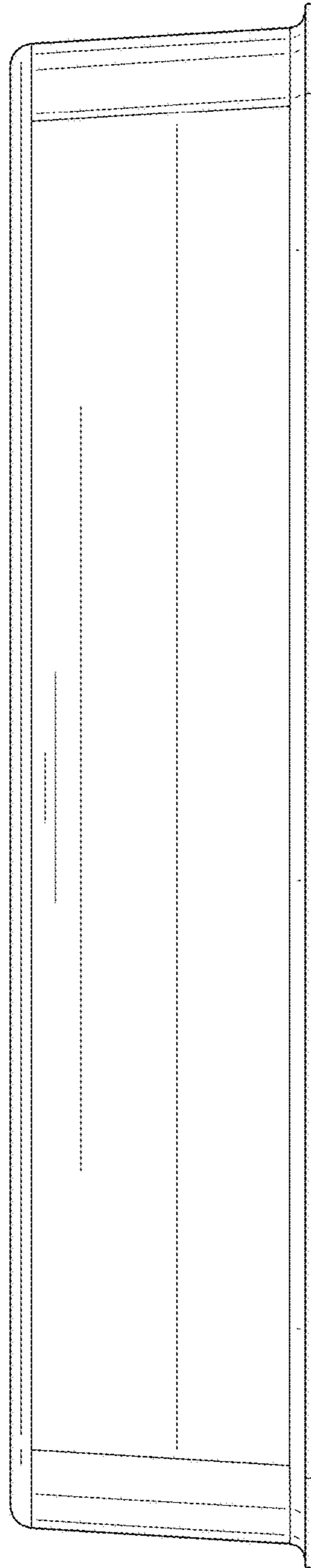


FIG. 7

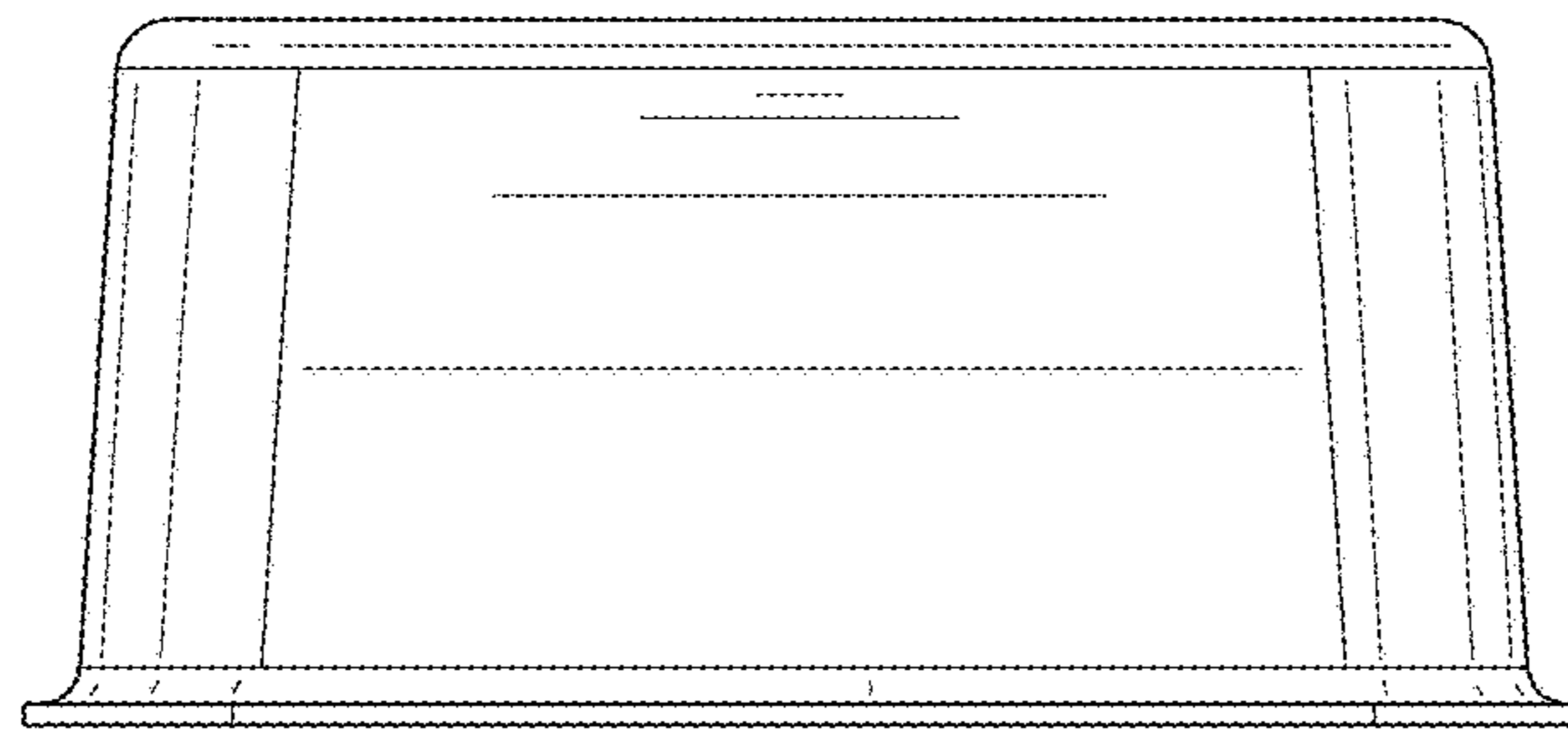


FIG. 8

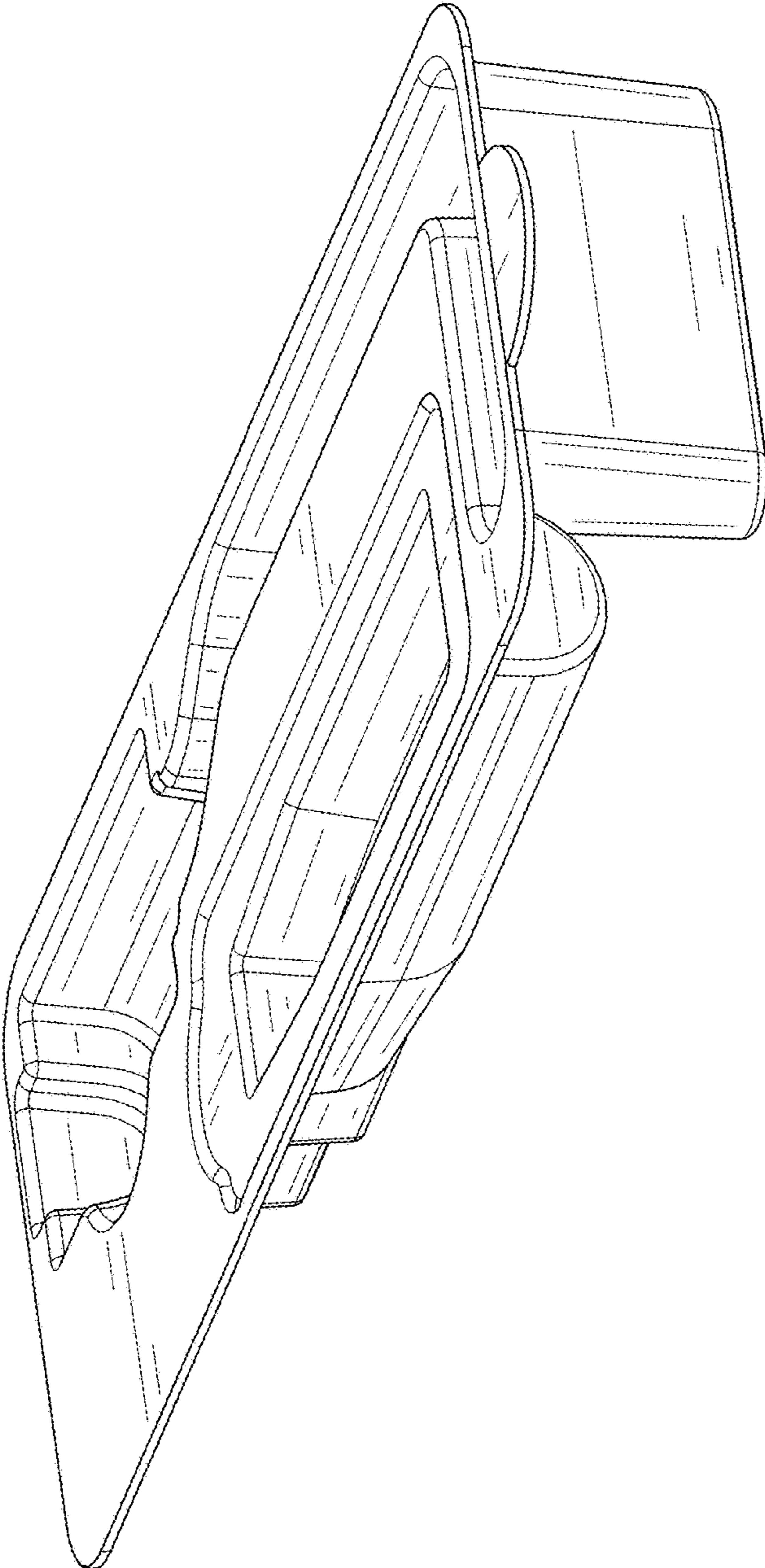


FIG. 9

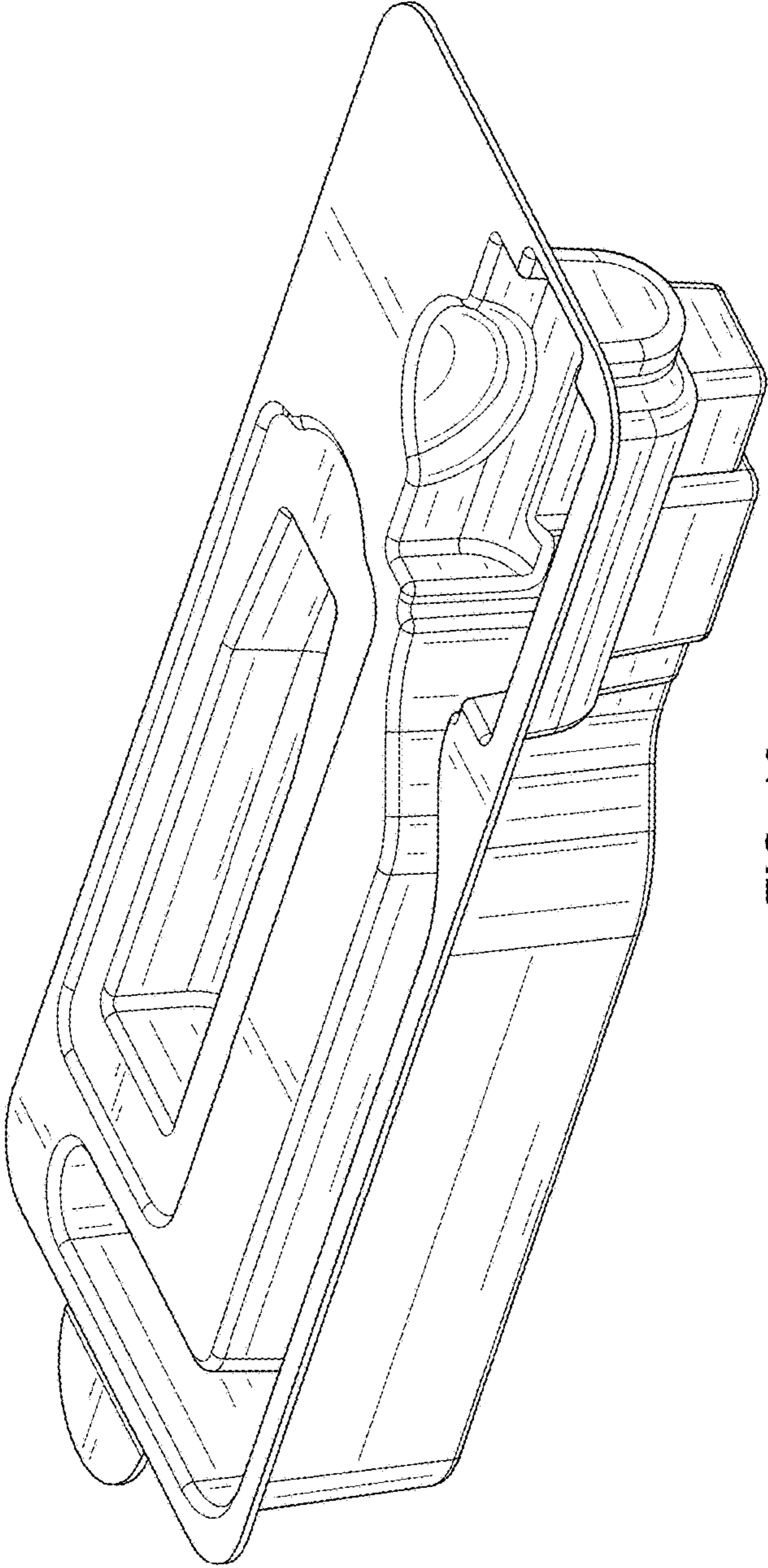


FIG. 10

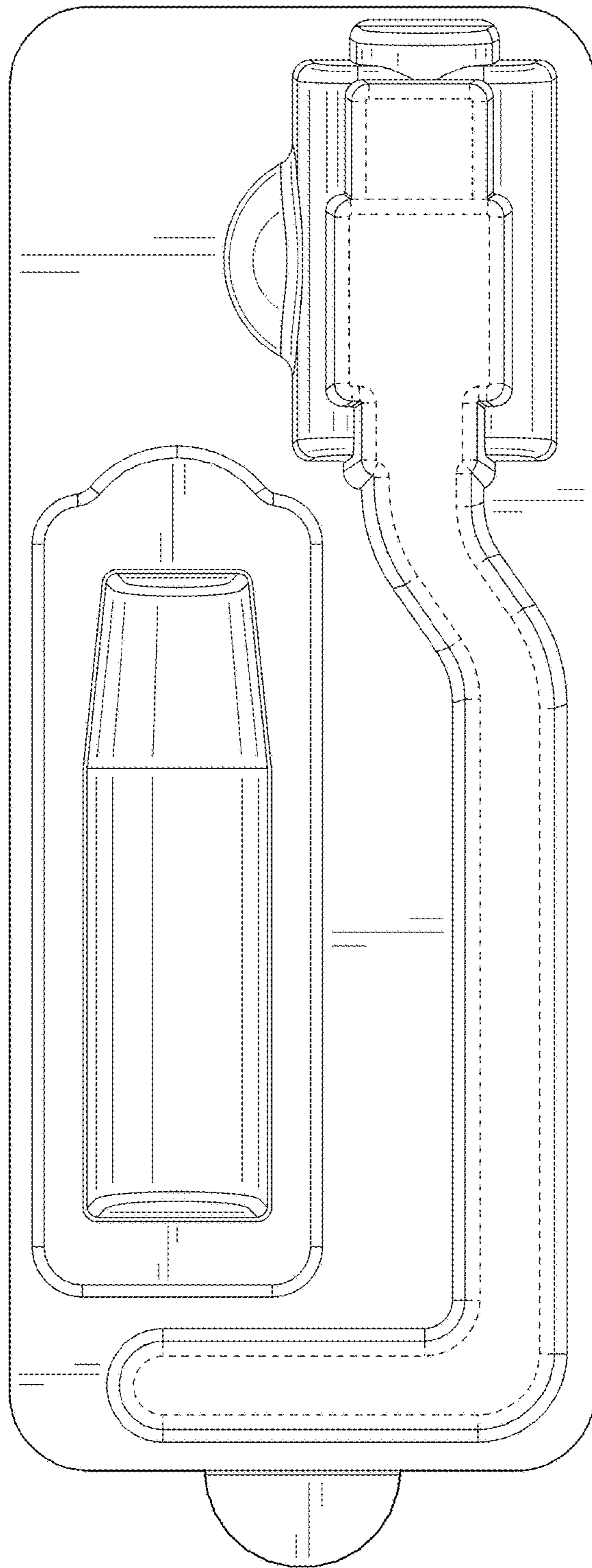


FIG. 11

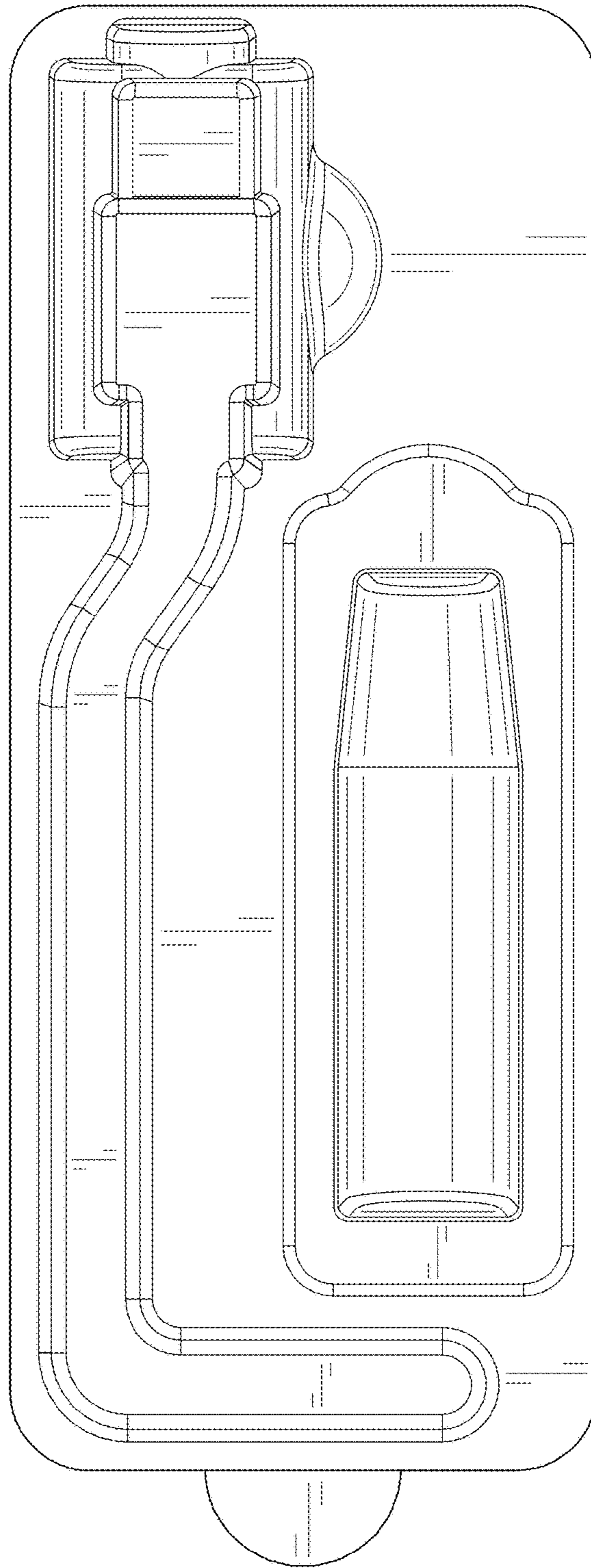


FIG. 12

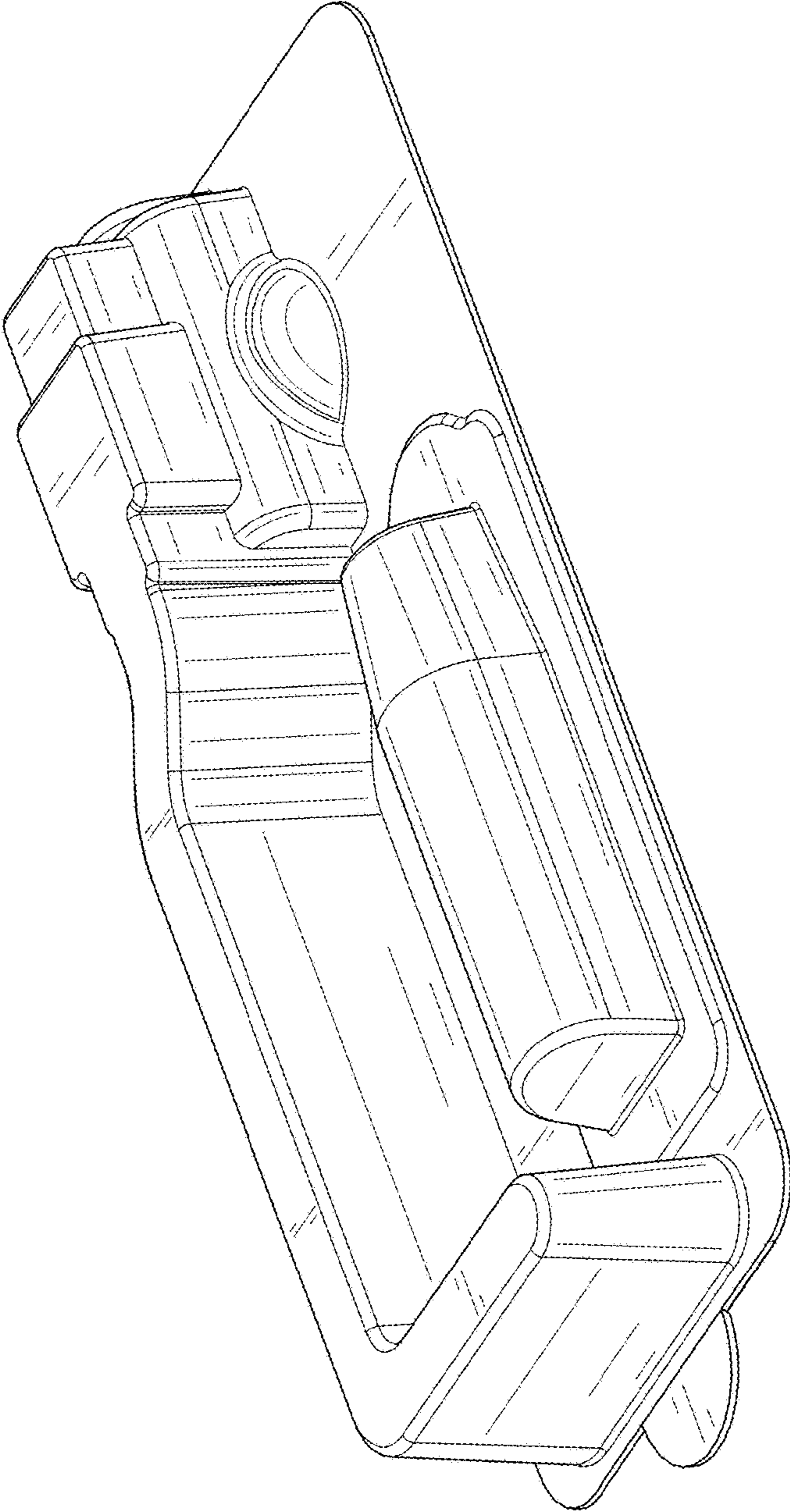


FIG. 13

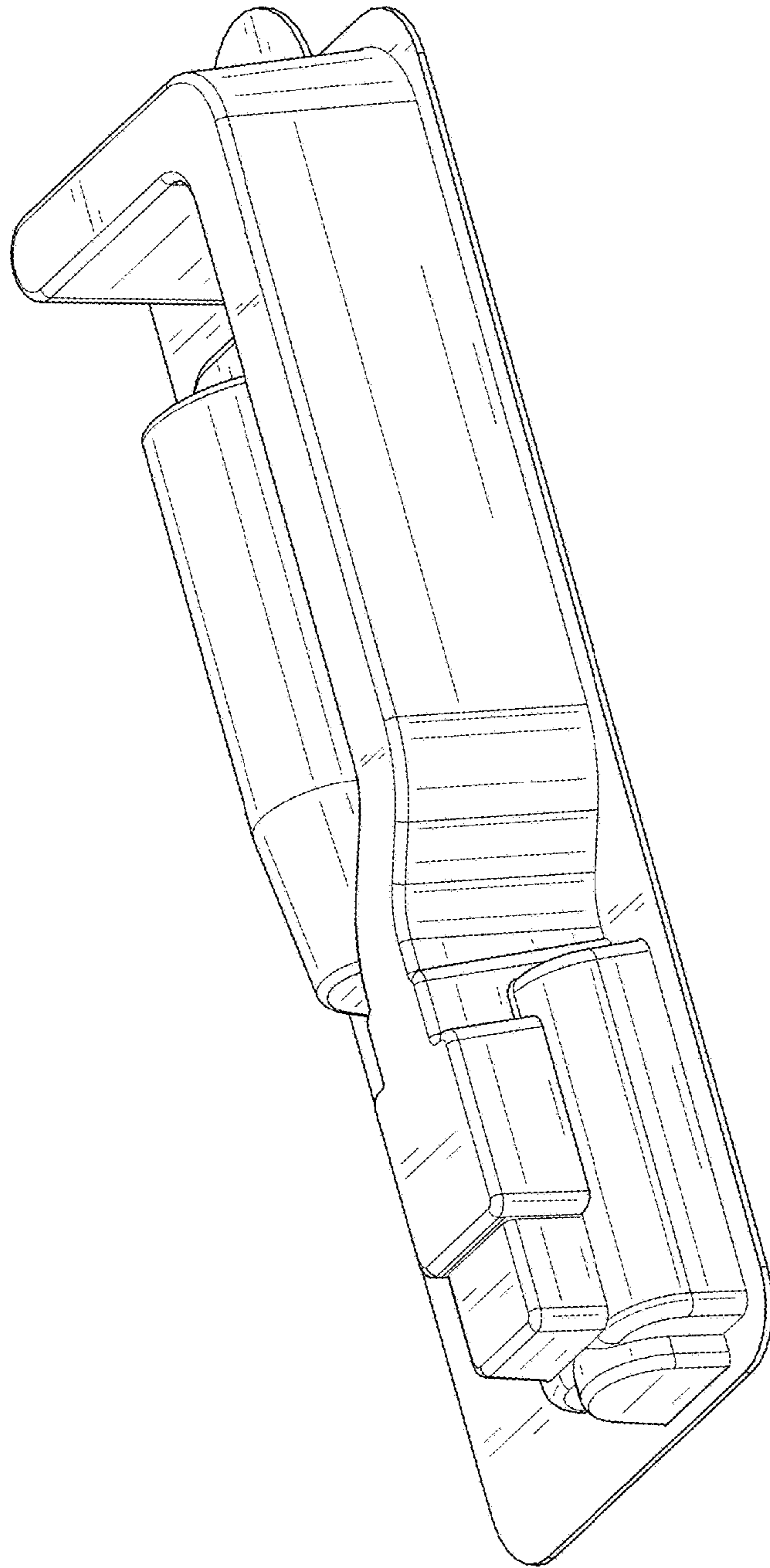


FIG. 14

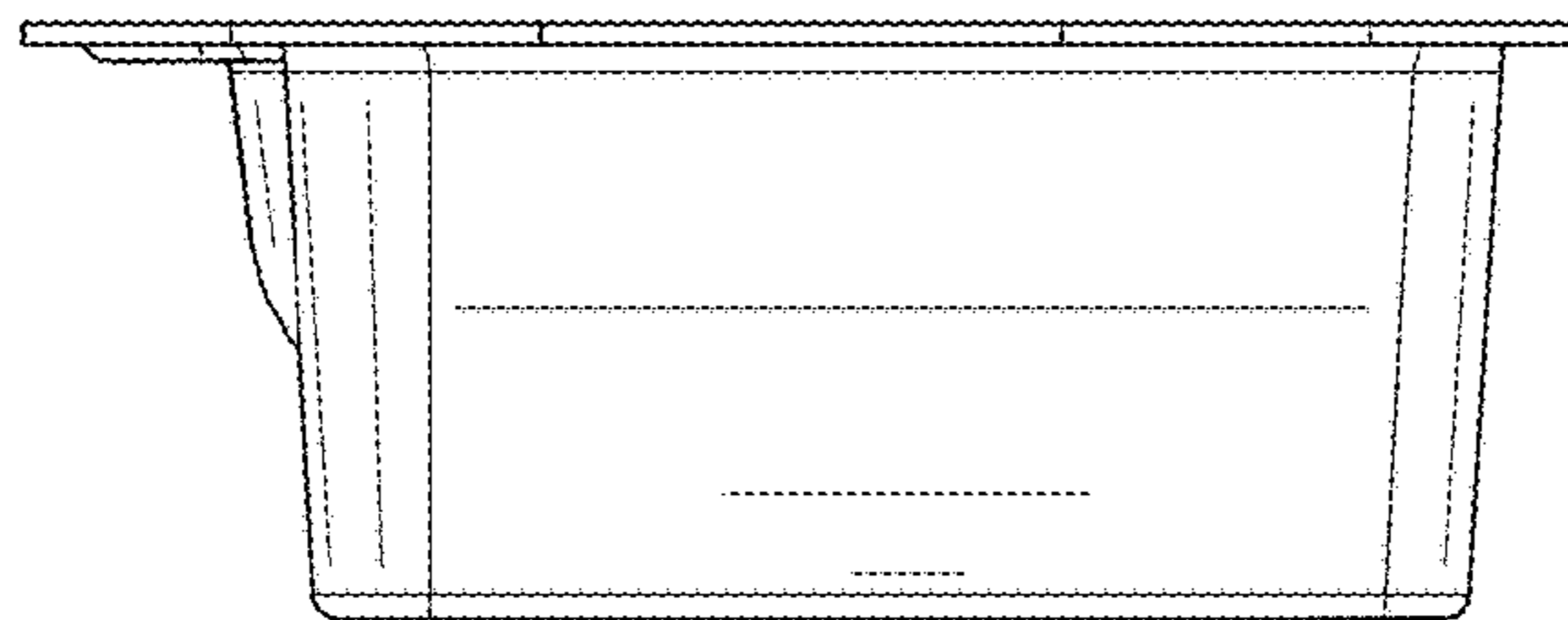


FIG. 15

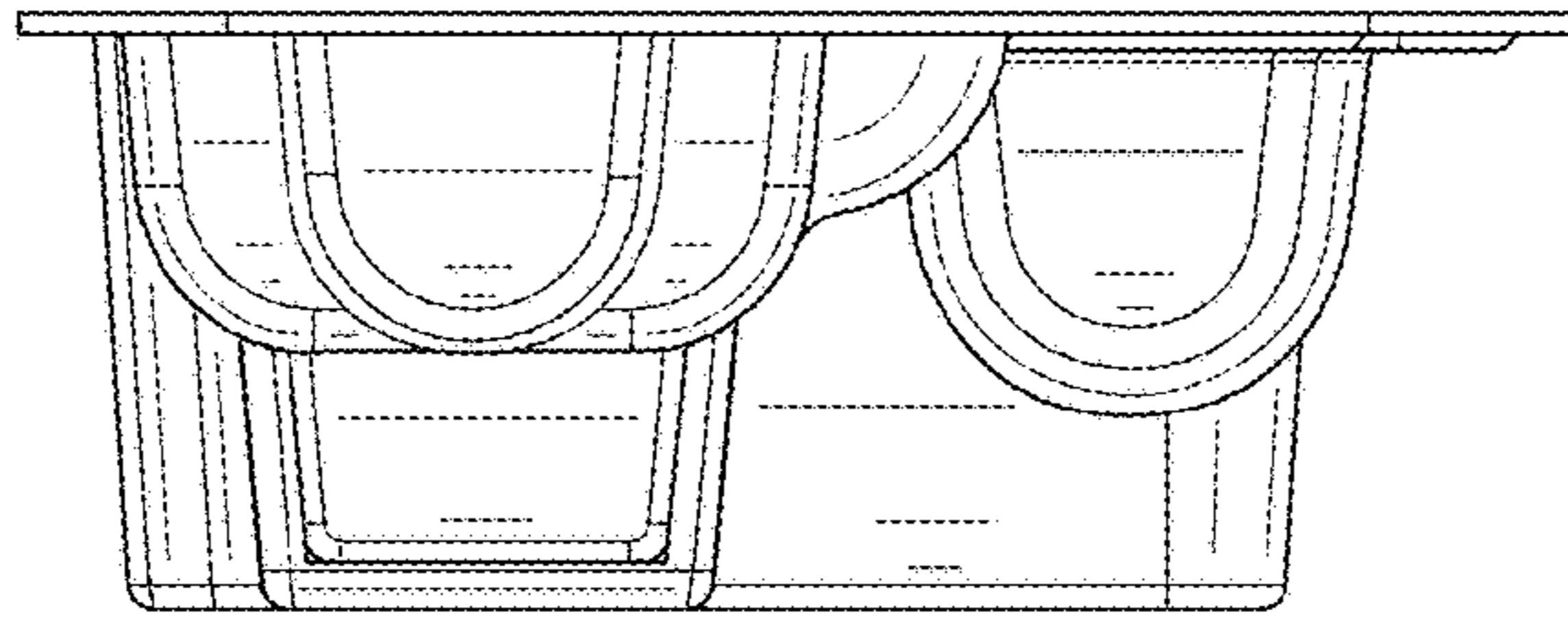


FIG. 16

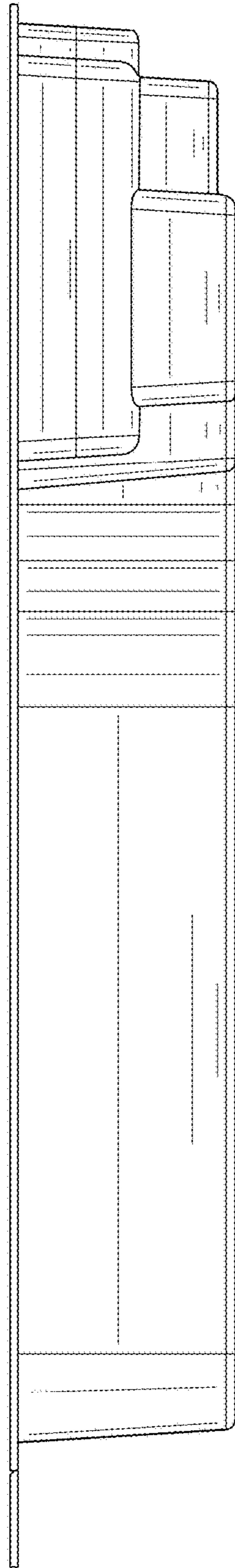


FIG. 17

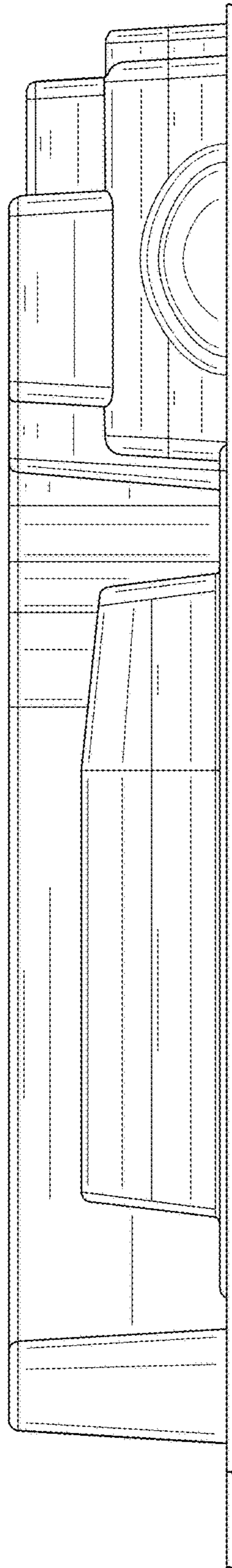


FIG. 18

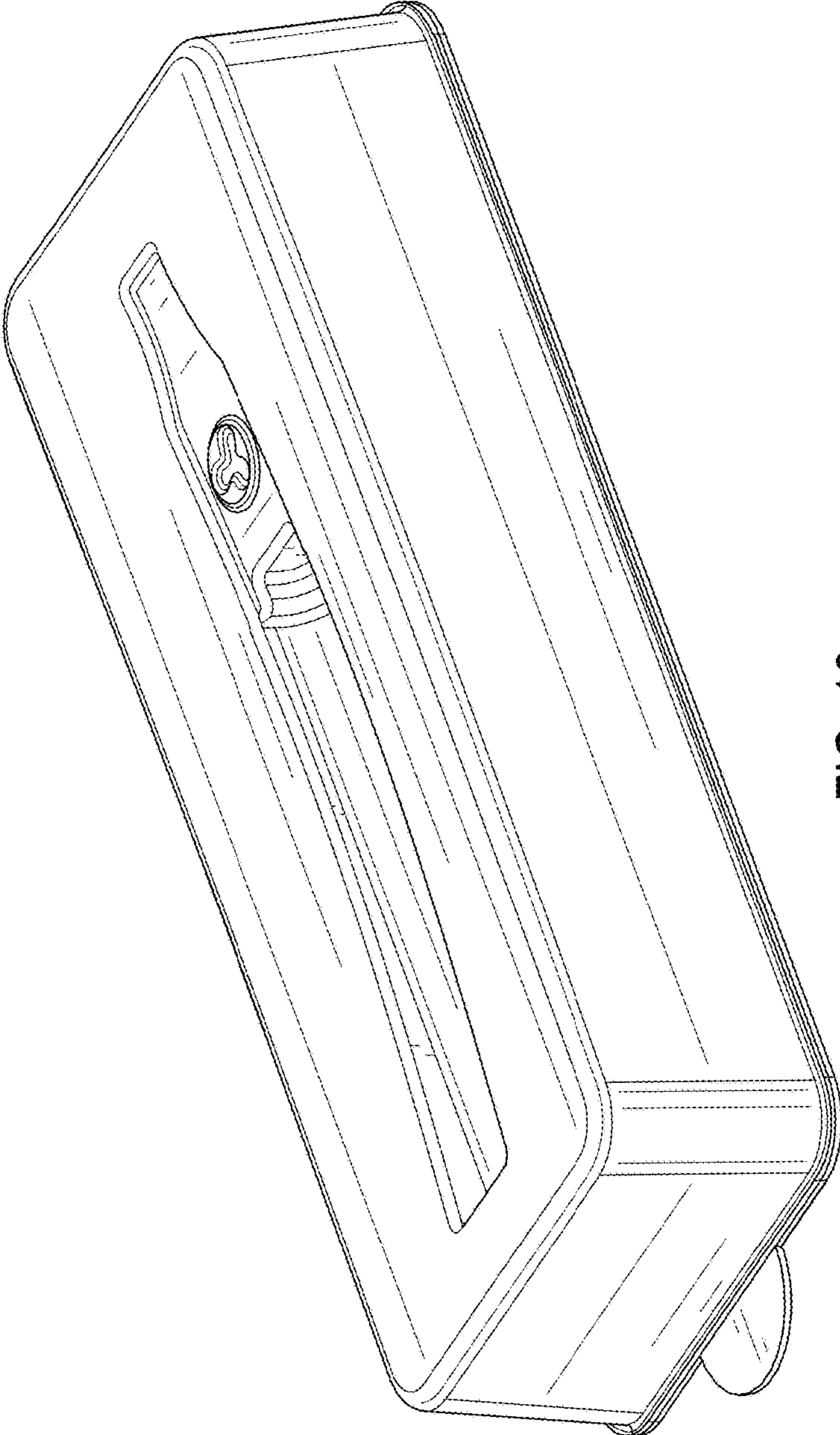


FIG. 19

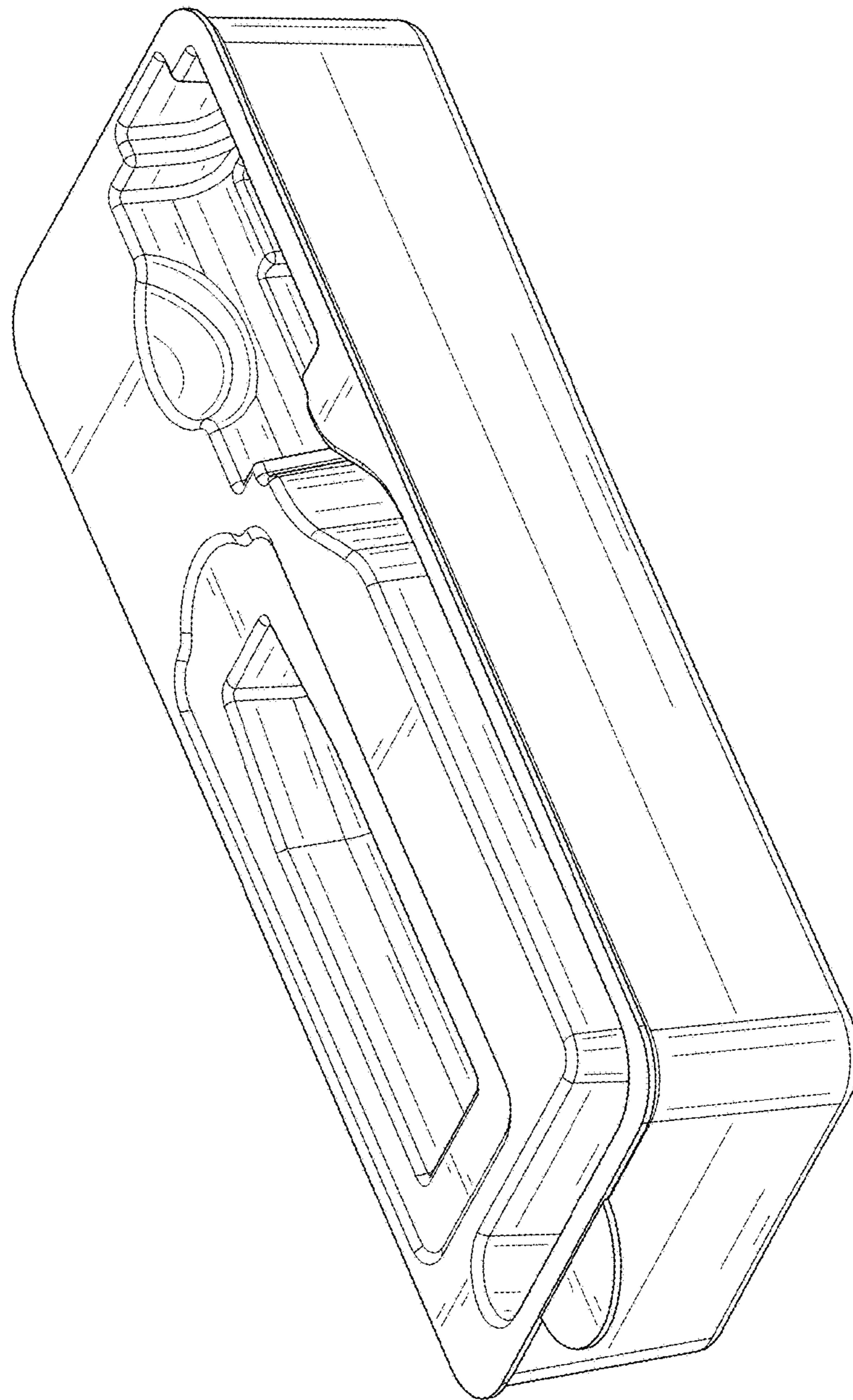


FIG. 20

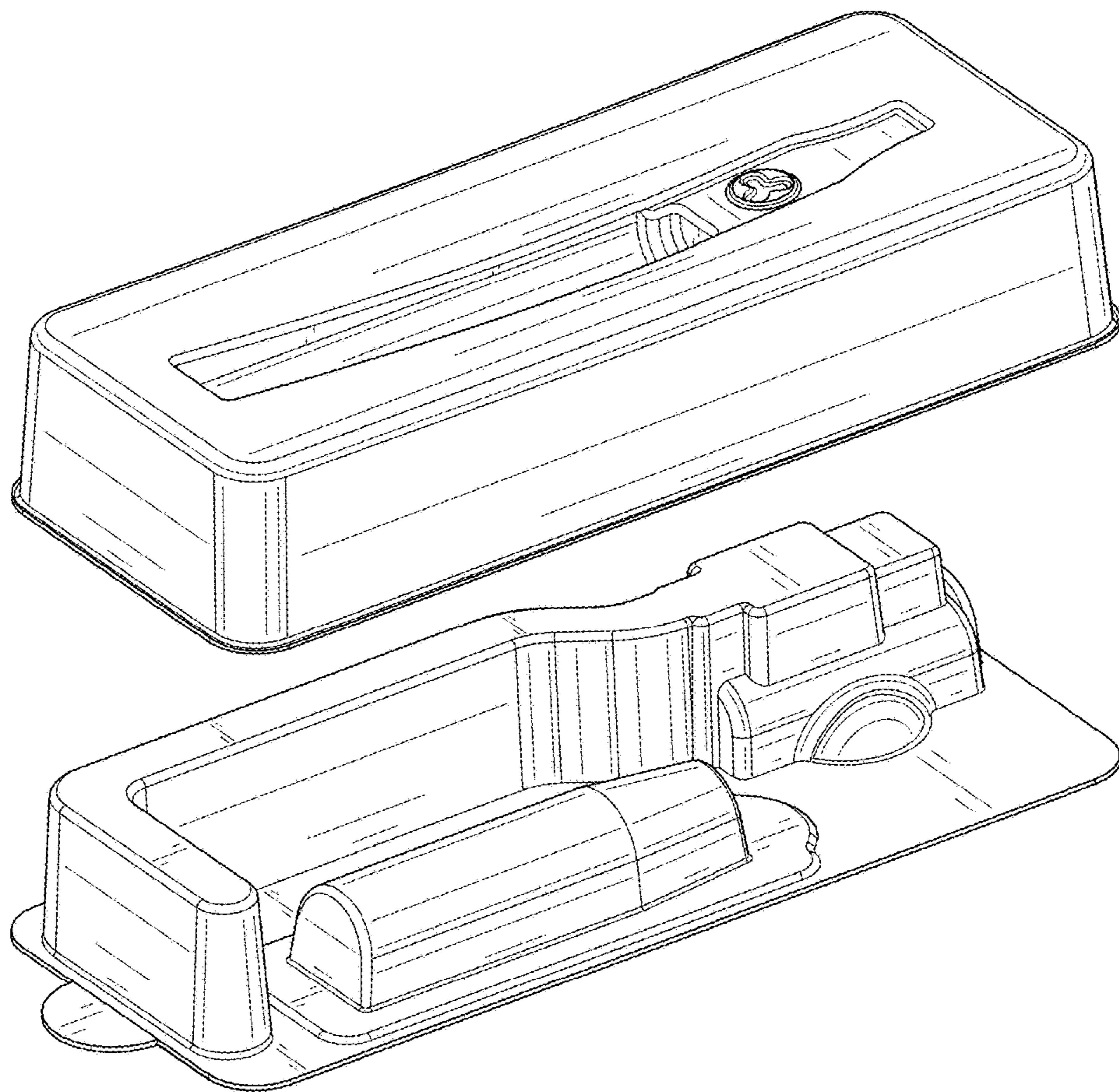


FIG. 21

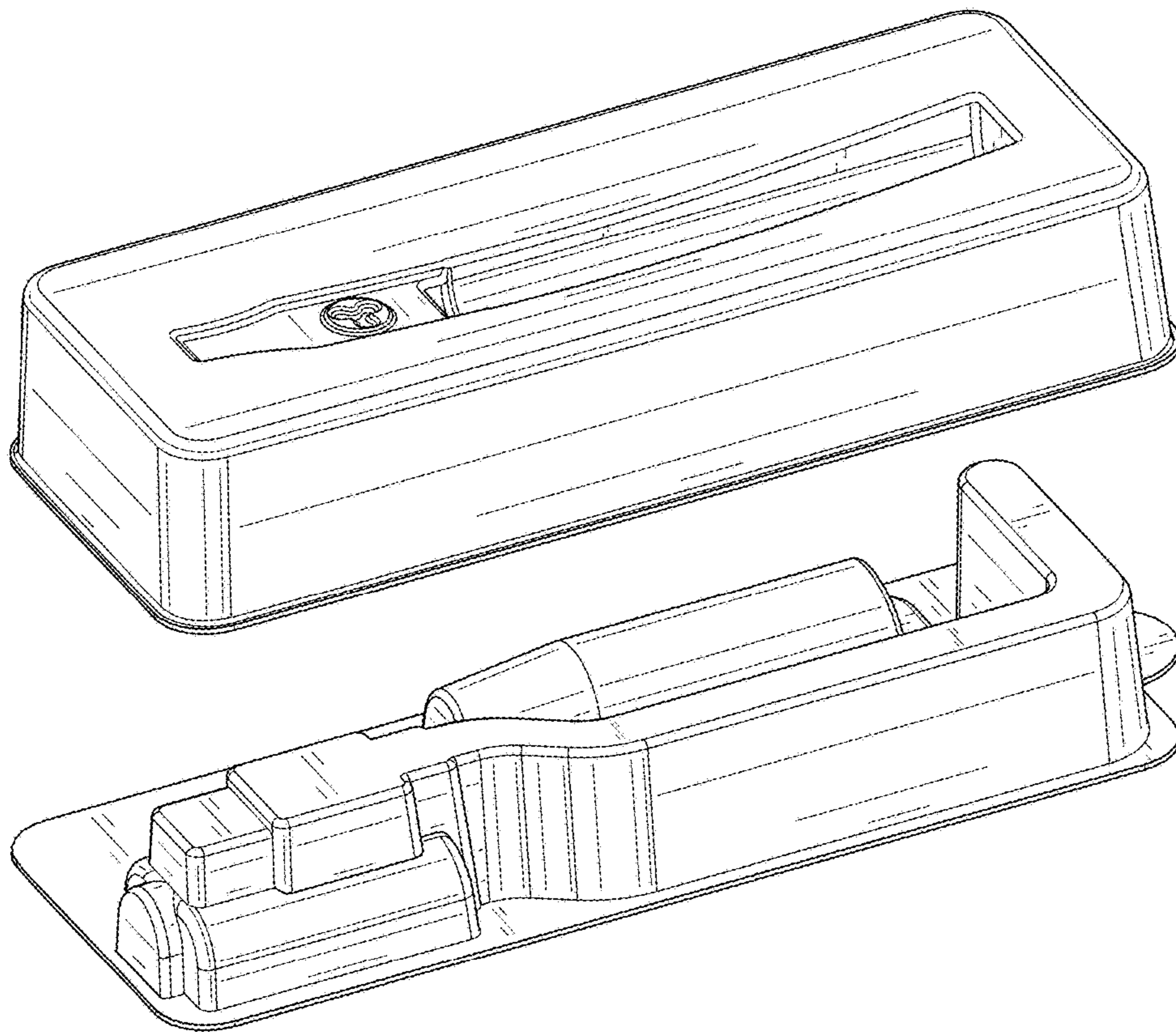


FIG. 22

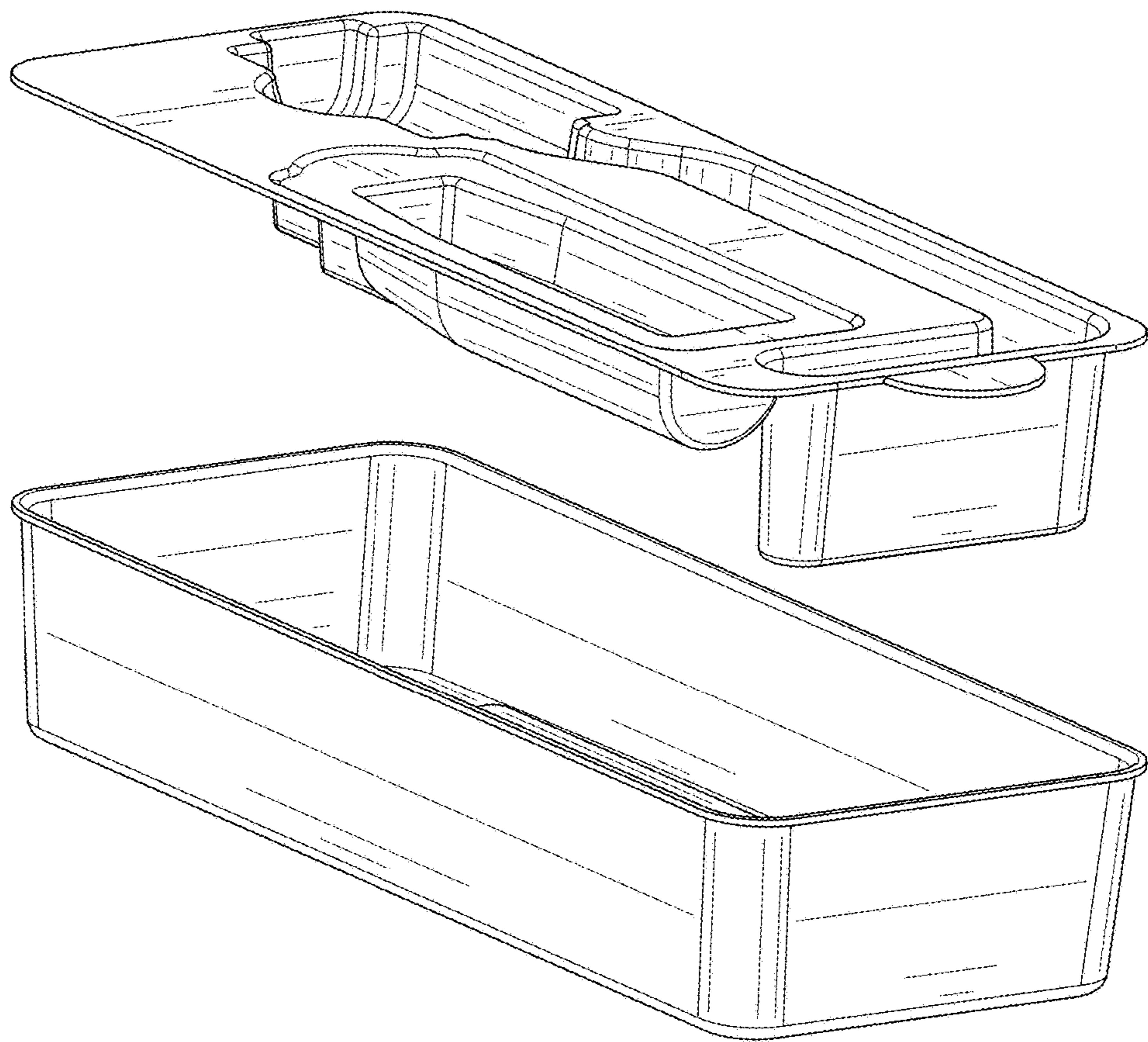


FIG. 23

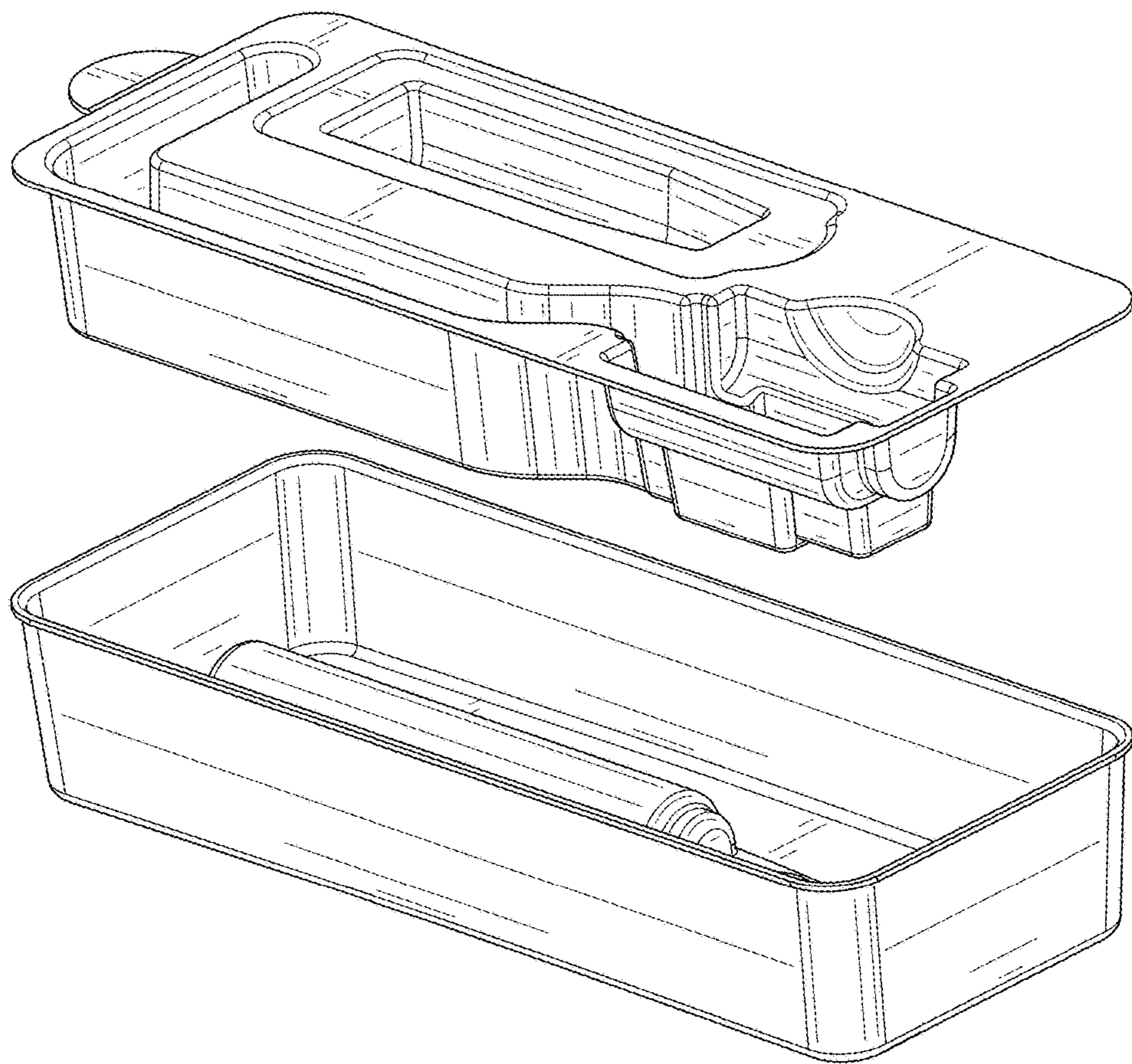


FIG. 24

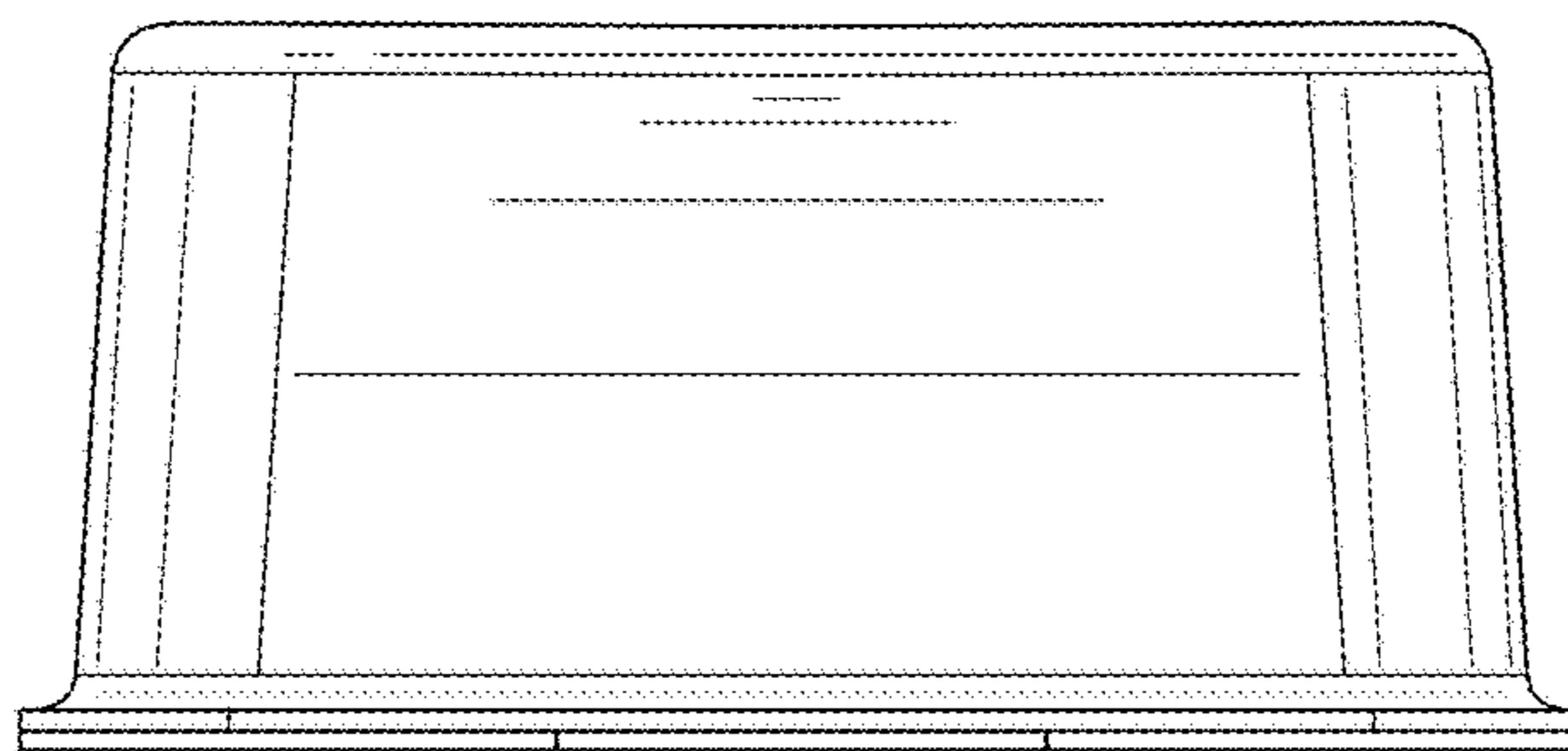


FIG. 25

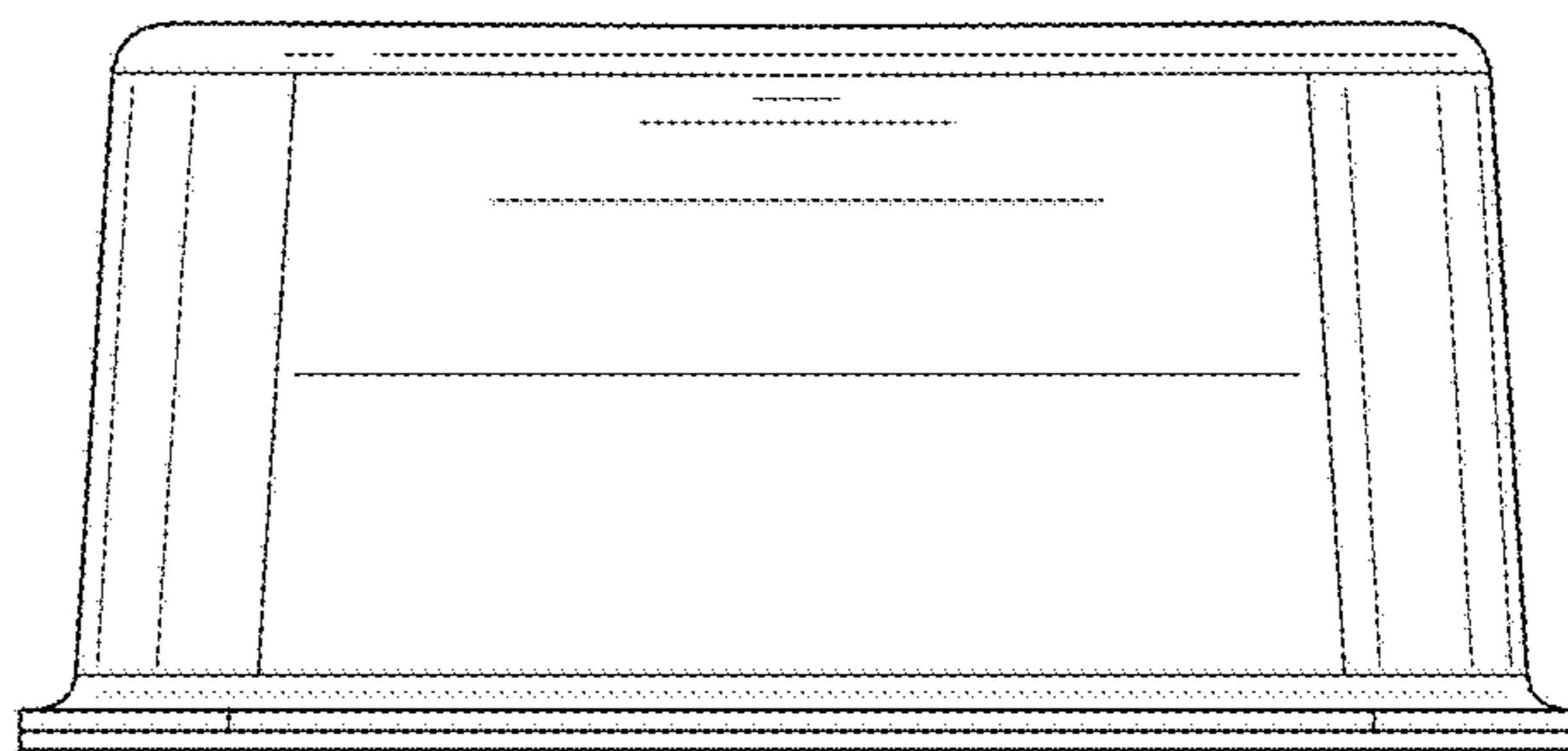


FIG. 26

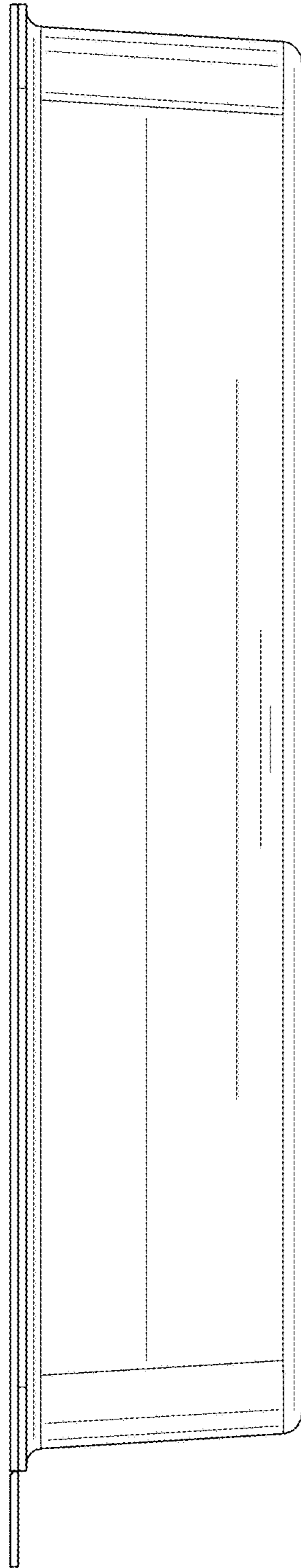


FIG. 27

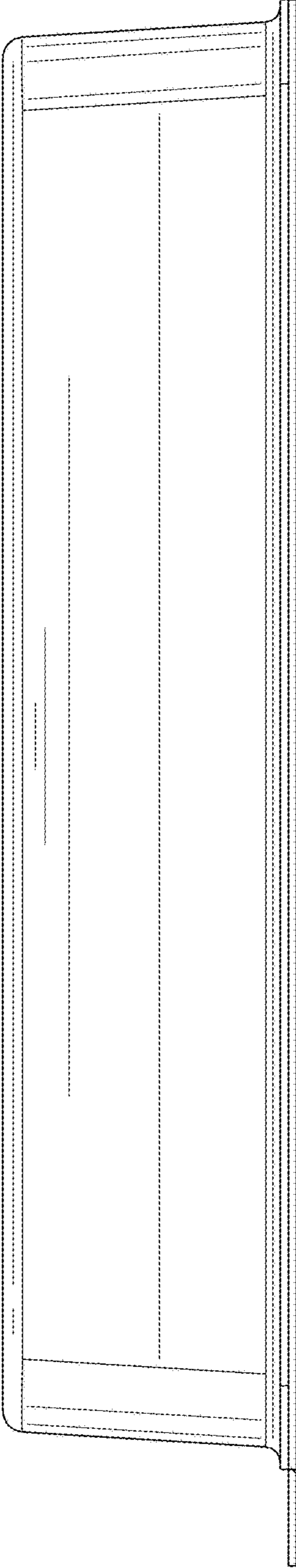


FIG. 28