

US00D862229S

(12) **United States Design Patent** (10) **Patent No.:** **US D862,229 S**
Alluigi et al. (45) **Date of Patent:** **** Oct. 8, 2019**

(54) **DUAL SPRAY DISPENSER**

(71) Applicant: **THE CLOROX COMPANY**, Oakland, CA (US)

(72) Inventors: **Riccardo Alluigi**, Alessandria (IT);
German R. Gonzalez, Pleasanton, CA (US)

(73) Assignee: **The Clorox Company**, Oakland, CA (US)

(**) Term: **15 Years**

(21) Appl. No.: **29/659,533**

(22) Filed: **Aug. 9, 2018**

Related U.S. Application Data

(62) Division of application No. 29/567,979, filed on Jun. 14, 2016, now Pat. No. Des. 837,649.

(51) **LOC (12) Cl.** **09-07**

(52) **U.S. Cl.**
USPC **D9/448**

(58) **Field of Classification Search**
USPC D9/434, 435, 442, 443, 445-450, 453,
D9/499, 682, 684, 685, 686; D7/387,
D7/392, 392.1; D23/213

(Continued)

(56) **References Cited**

U.S. PATENT DOCUMENTS

D310,957 S * 10/1990 Halm D9/685
D321,315 S * 11/1991 Halm D9/685

(Continued)

FOREIGN PATENT DOCUMENTS

EP 0449046 A2 10/1991
EP 0449046 A3 10/1991

(Continued)

OTHER PUBLICATIONS

Ministero dello Sviluppo Economico, Rapporto Di Ricerca. Italian Ministry of Economic Development Search Report. Application No. IO 47377/IT BS20140085. dated Jan. 7, 2015, Munich.

(Continued)

Primary Examiner — Michael A. Pratt
Assistant Examiner — Wendy L Arminio

(74) *Attorney, Agent, or Firm* — Erin Collins

(57) **CLAIM**

The ornamental design for a dual spray dispenser, as shown and described.

DESCRIPTION

The present application is related to U.S. patent application Ser. No. 15/132,025, filed Apr. 18, 2016 which is now granted U.S. Pat. No. 9,931,656 and entitled “Dual Chamber Spray Dispenser”, and U.S. patent application Ser. No. 14/683,232, filed Apr. 10, 2015 which is now granted U.S. Pat. No. 9,610,598 and entitled “Trigger-Dispensing Device for Two or More Liquids”. The disclosure of each of the above patent applications is incorporated by reference in its entirety.

FIG. 1 is a top perspective view of a dual spray dispenser. FIG. 2 is a bottom perspective view of the dual spray dispenser shown in FIG. 1.

FIG. 3 is a first side view of the dual spray dispenser shown in FIG. 1.

FIG. 4 is a second, opposite side view of the dual spray dispenser shown in FIG. 1.

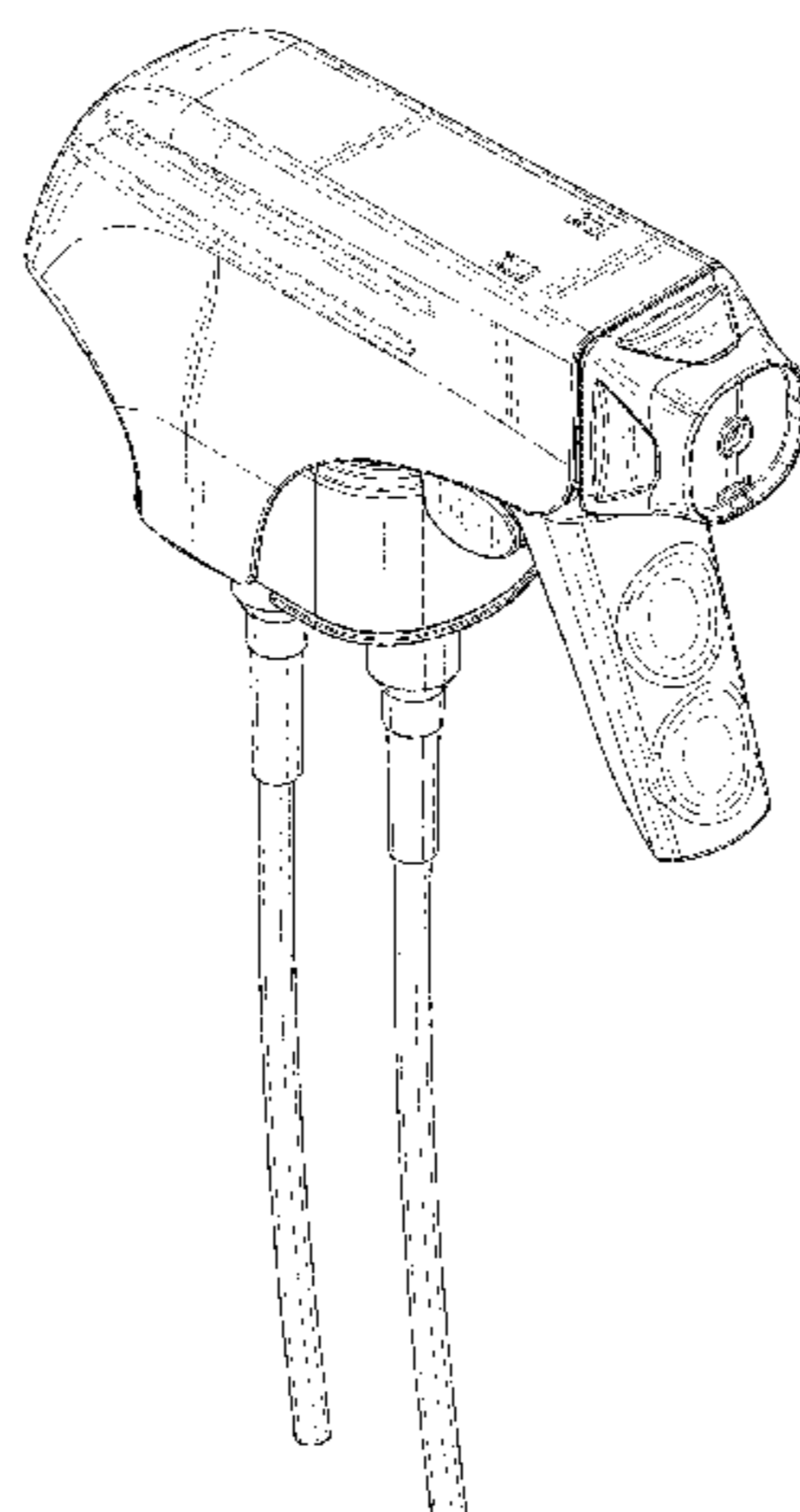
FIG. 5 is a rear view of the dual spray dispenser shown in FIG. 1.

FIG. 6 is a front view of the dual spray dispenser shown in FIG. 1.

FIG. 7 is a top plan view of the dual spray dispenser shown in FIG. 1; and,

FIG. 8 is a bottom plan view of the dual spray dispenser shown in FIG. 1.

(Continued)



Any broken lines in the Figures depict portions of the dual spray dispenser that are not part of the claimed design.

1 Claim, 7 Drawing Sheets

(58) Field of Classification Search

CPC .. A61J 1/00; A61J 1/1412; B65D 1/00; B65D 1/02; B65D 1/10; B65D 1/46; B65D 2585/56; B65D 2585/545; B65D 41/00; B65D 41/38; B65D 41/56; B65D 41/62; B65D 47/00; B65D 47/06; B65D 47/08; B65D 2543/00046; B65D 2543/00092; B65D 2543/00296; B65D 5/46; B65D 2251/00

See application file for complete search history.

(56) References Cited

U.S. PATENT DOCUMENTS

5,152,461	A	10/1992	Proctor	
5,228,602	A	7/1993	Maas	
5,332,157	A	7/1994	Proctor	
5,341,965	A	8/1994	Maas	
5,370,275	A	12/1994	Mills	
5,398,846	A	3/1995	Cobra et al.	
5,439,141	A	8/1995	Clark et al.	
5,535,950	A	7/1996	Barriac et al.	
D373,312	S *	9/1996	Lin	D23/226
5,562,250	A	10/1996	O'Neill	
5,609,299	A	3/1997	Foster et al.	
5,626,259	A	5/1997	Maas	
5,711,457	A	1/1998	Wanbaugh	
5,752,626	A	5/1998	Bachand	
5,769,275	A	6/1998	Boehmer	
D400,102	S *	10/1998	Tada	D9/448
5,857,591	A	1/1999	Bachand	
5,887,761	A	3/1999	Foster	
D409,487	S *	5/1999	Wadsworth	D9/448
D409,918	S *	5/1999	Wadsworth	D9/448
D421,388	S *	3/2000	Cummings	D9/448
6,082,588	A	7/2000	Markey et al.	
D433,943	S *	11/2000	Keung	D9/448
6,182,865	B1 *	2/2001	Bunschoten	B05B 11/0078 222/136
D439,164	S	3/2001	Keung	
D447,415	S *	9/2001	Spengler	D9/448
6,283,385	B1	9/2001	Beaver et al.	
6,332,562	B1 *	12/2001	Sweeton	B05B 11/3057 222/383.1
D454,787	S *	3/2002	Cummings	D9/448
D456,262	S *	4/2002	Cummings	D9/448
D463,972	S *	10/2002	Perrin	D9/530
6,550,694	B1	4/2003	Foster et al.	
6,729,560	B2	5/2004	Foster et al.	
D494,866	S *	8/2004	Guala	D23/225
D495,399	S	8/2004	Guala	
6,869,027	B2	3/2005	Foster	
6,978,946	B2	12/2005	Sweeton	
D516,435	S *	3/2006	Barraclough	D9/682
D521,864	S	5/2006	Cartoni	
D523,337	S *	6/2006	Yang	D9/448
D541,655	S *	5/2007	Alluigi	D9/448
7,222,802	B2	5/2007	Sweeton	
7,243,861	B2	7/2007	Foubert et al.	
D550,079	S *	9/2007	Yang	D9/448
D551,549	S *	9/2007	Maas	B05B 11/3011 D9/448
D553,497	S *	10/2007	Maas	B05B 11/3011 D9/448

D578,888	S *	10/2008	Alluigi	D9/448
D581,269	S	11/2008	Alluigi	
D582,768	S	12/2008	Cantoni	
D582,769	S *	12/2008	Turchi	D9/448
D582,770	S	12/2008	Turchi	
D582,771	S *	12/2008	Cantoni	D9/448
D583,233	S	12/2008	Cantoni	
D587,574	S	3/2009	Cantoni	
7,497,358	B2	3/2009	Clynes	
D596,938	S	7/2009	Broadbent	
D601,897	S	10/2009	Contiero	
7,637,396	B2	12/2009	Foster	
7,712,636	B2	5/2010	Foster et al.	
7,757,968	B2	7/2010	Bistolfi	
7,775,401	B2	8/2010	Banco et al.	
D625,187	S	10/2010	McCay	
D625,188	S	10/2010	Rech	
D635,034	S *	3/2011	Burgeson	D9/566
7,909,268	B2	3/2011	Zigmans	
7,997,449	B2	8/2011	Banco et al.	
D664,431	S *	7/2012	Wang	D9/448
D685,268	S	7/2013	Gill	
8,562,907	B2 *	10/2013	Green	A01N 31/02 422/28
D795,082	S *	8/2017	Gonzalez	D9/742
9,919,326	B2 *	3/2018	Alluigi	B05B 11/3011
9,931,657	B2 *	4/2018	Gonzalez	B05B 11/3084
2003/0201339	A1	10/2003	Foster et al.	
2003/0201342	A1	10/2003	Foster	
2004/0256490	A1	12/2004	Sweeton	
2005/0092778	A1	5/2005	Bistolfi	
2005/0121475	A1	6/2005	Zigmans	
2005/0150977	A1	7/2005	Sweeton	
2005/0224602	A1	10/2005	Foubert et al.	
2005/0236433	A1 *	10/2005	Weck	B05B 11/0037 222/382
2006/0163282	A1	7/2006	Suzuki	
2007/0114303	A1 *	5/2007	Hildebrand	B05B 1/12 239/333
2007/0215645	A1	9/2007	Clynes	
2007/0215647	A1	9/2007	Foster	
2007/0215648	A1	9/2007	Foster	
2008/0128532	A1	6/2008	Zigmans	
2008/0314928	A1	12/2008	Banco et al.	
2010/0206903	A1	8/2010	Banco et al.	
2011/0042488	A1	2/2011	Zigmans	
2011/0272494	A1	11/2011	Richardson et al.	
2012/0280065	A1	11/2012	Foster et al.	
2013/0168467	A1 *	7/2013	Huffman	B05B 11/0008 239/302
2016/0158780	A1 *	6/2016	Alluigi	B05B 11/0064 222/383.1
2016/0228900	A1 *	8/2016	Gonzalez	B05B 11/3084
2017/0266677	A1 *	9/2017	Alluigi	B05B 11/0013

FOREIGN PATENT DOCUMENTS

EP	0803295	A2	10/1997
EP	10043648		2/1998
EP	2009125700		6/2009
JP	10-43648	A	2/1998
JP	2000135457		5/2000
JP	2009-125700	A	6/2009
WO	9831470	A1	7/1998

OTHER PUBLICATIONS

U.S. Consumer Product Safety Commission, retrieved from the Internet: <http://www.cpsc.gov/pagefiles/115095/gualadispening.pdf> (retrieved on Jun. 28, 2016).
U.S. Appl. No. 29/567,979, filed Jun. 14, 2016—Restriction Requirement dated Apr. 12, 2018.

* cited by examiner

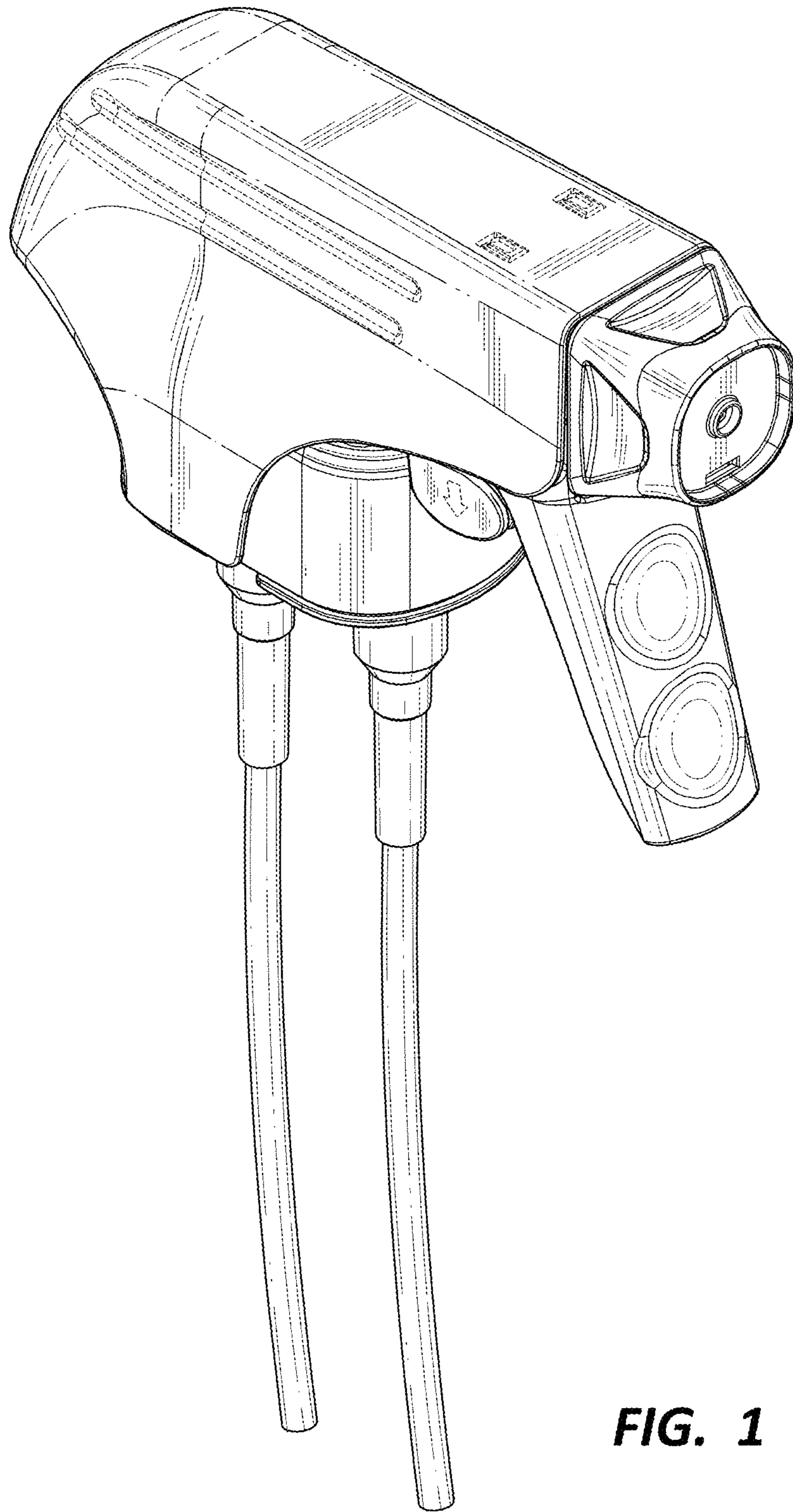


FIG. 1

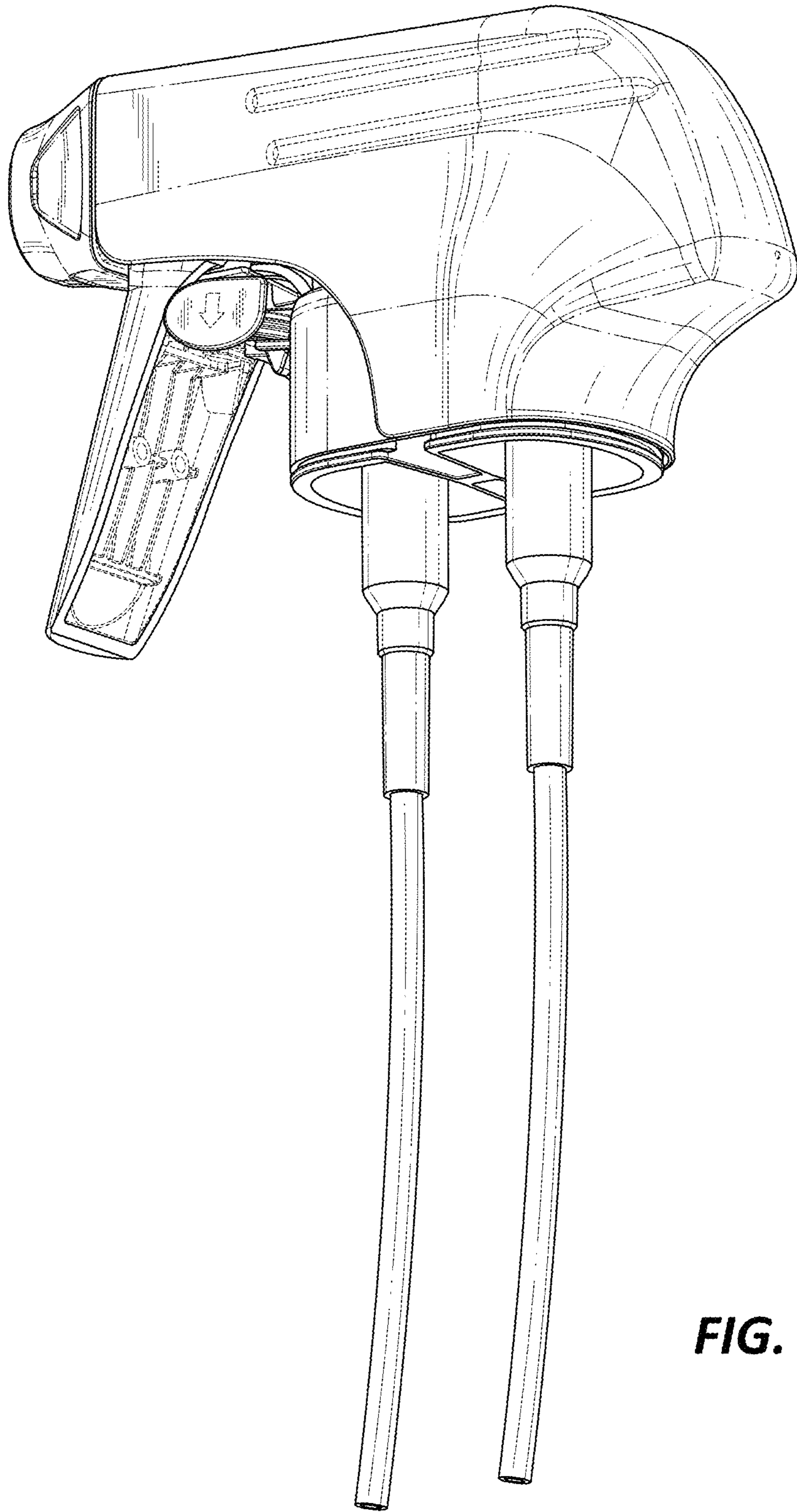


FIG. 2

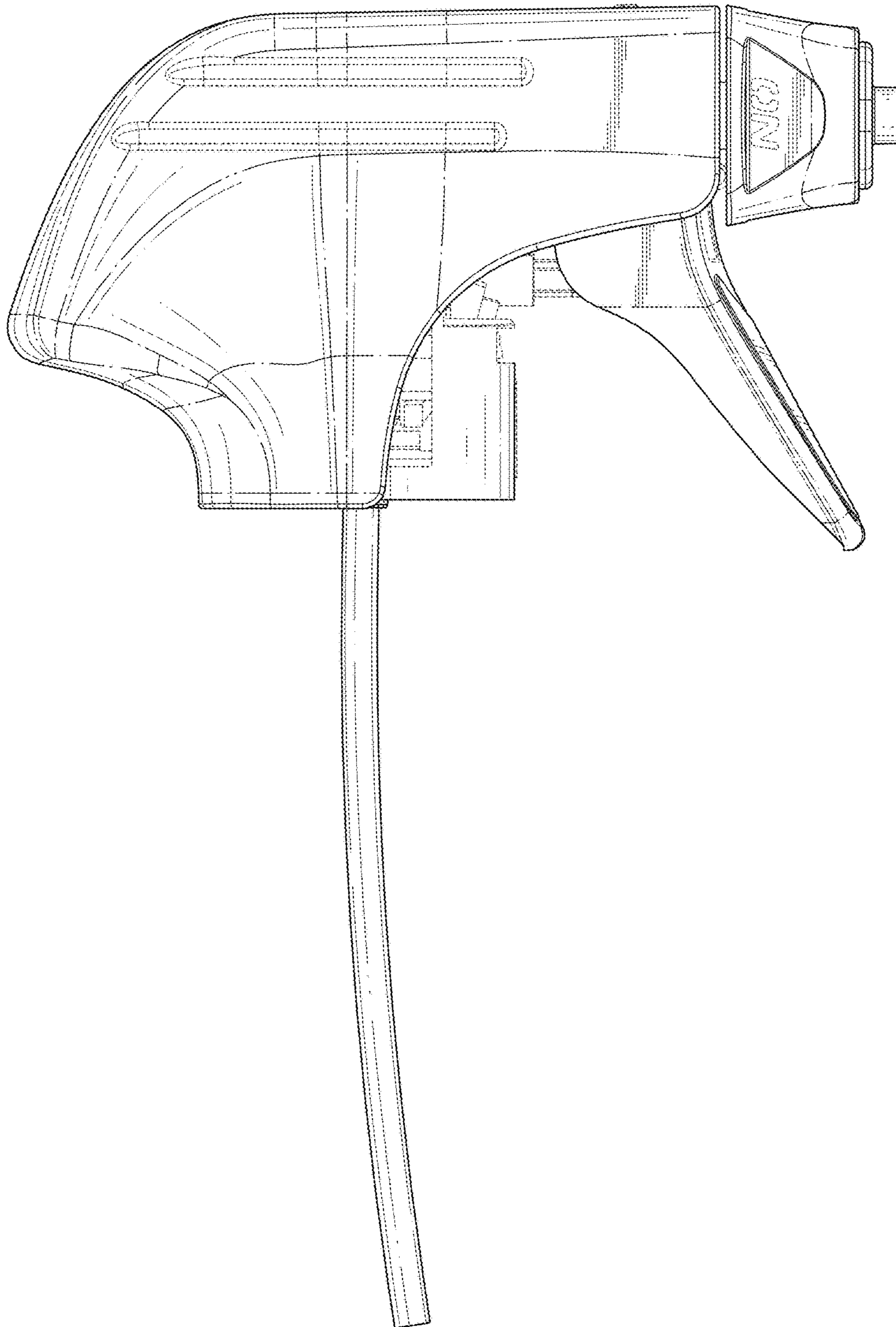


FIG. 3

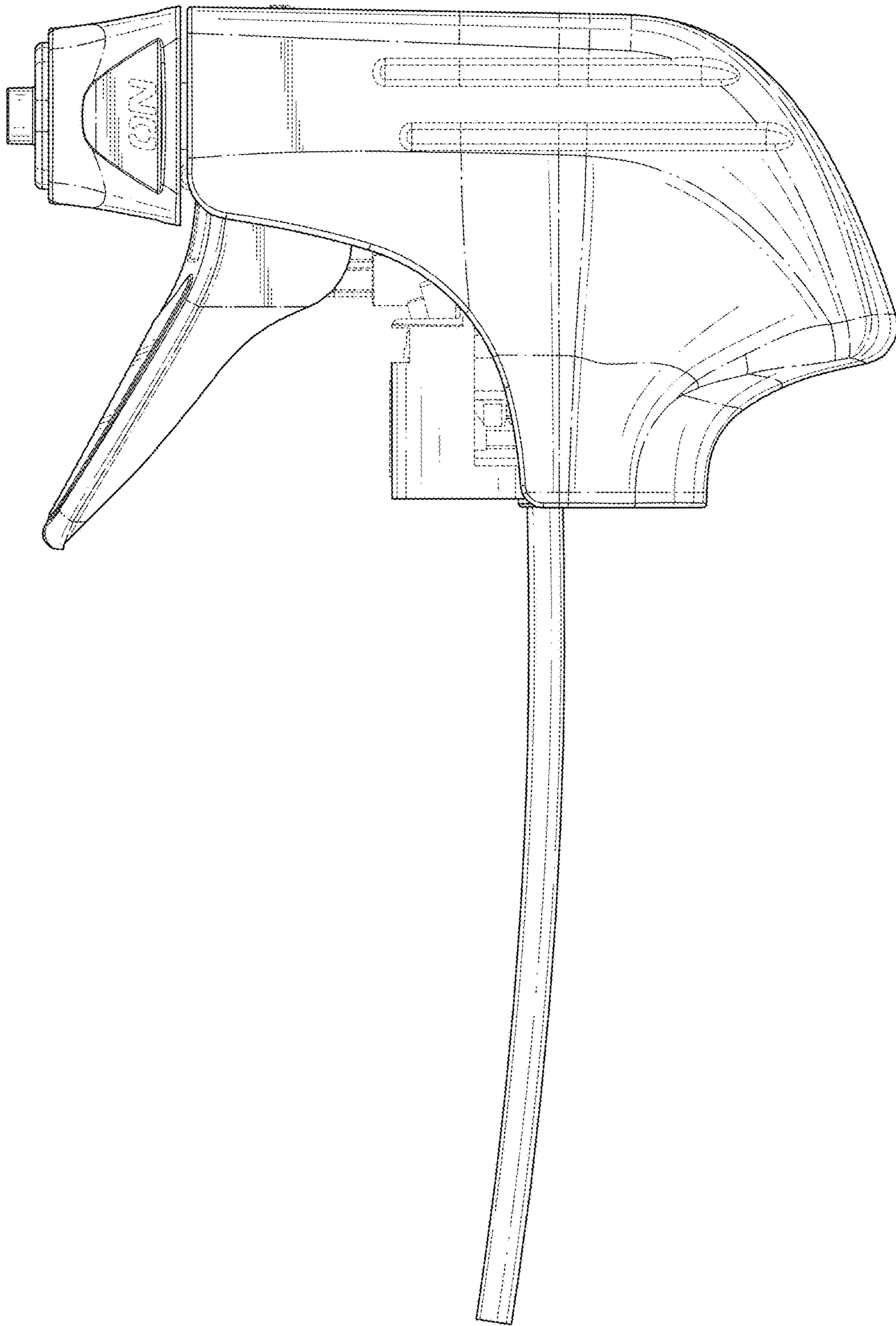


FIG. 4

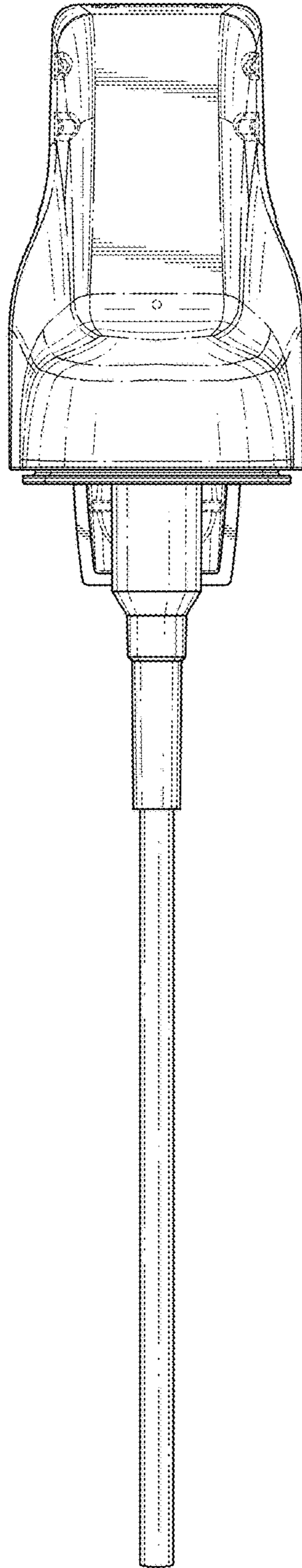


FIG. 5

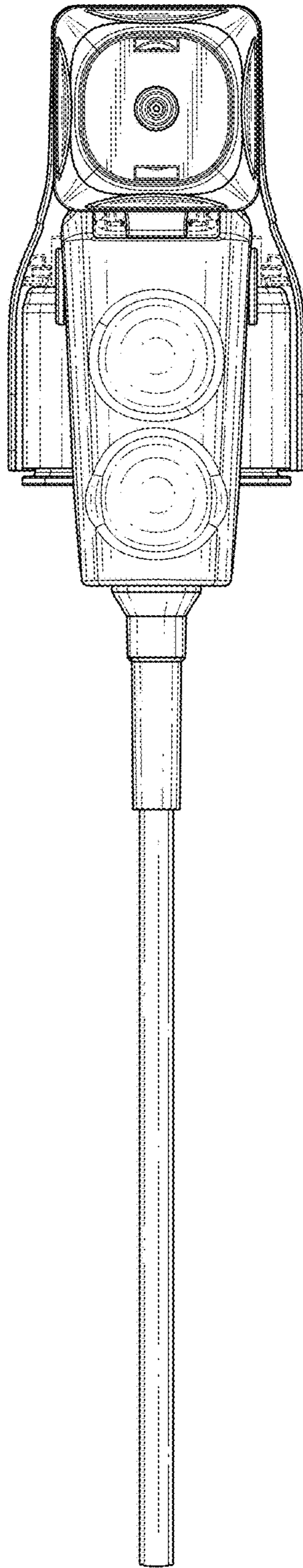


FIG. 6

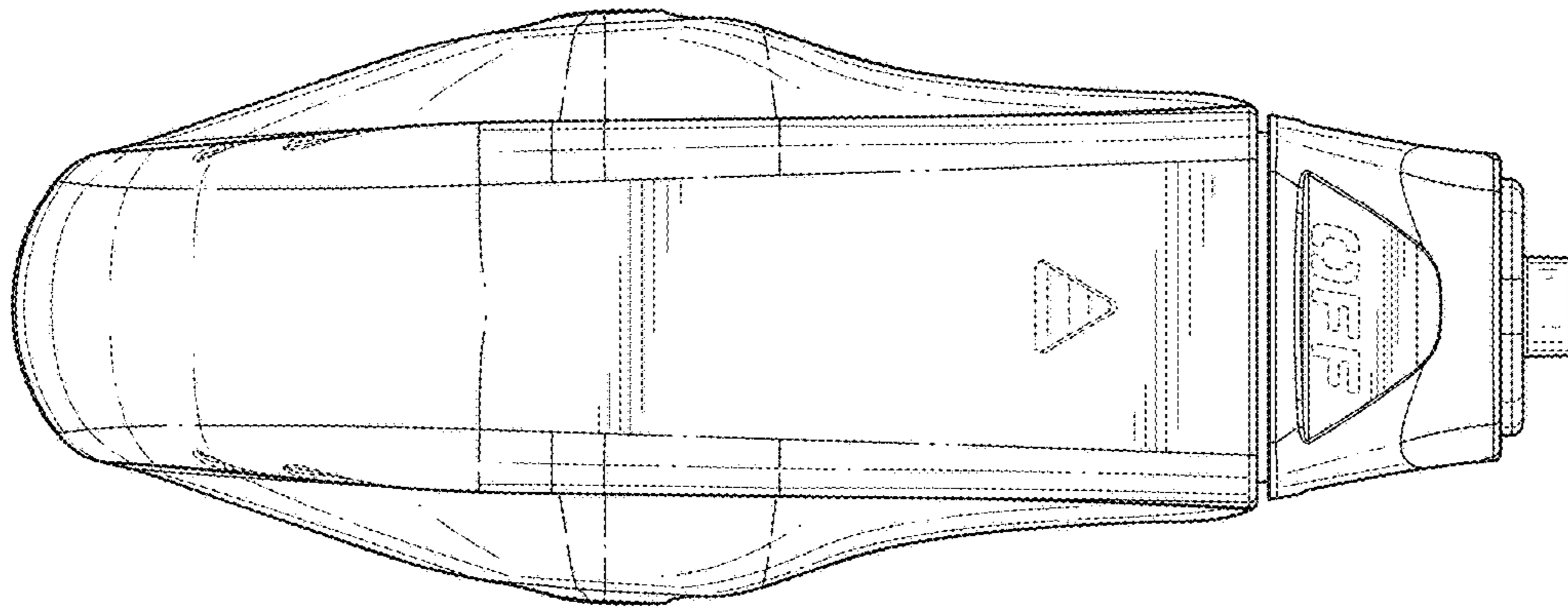


FIG. 7

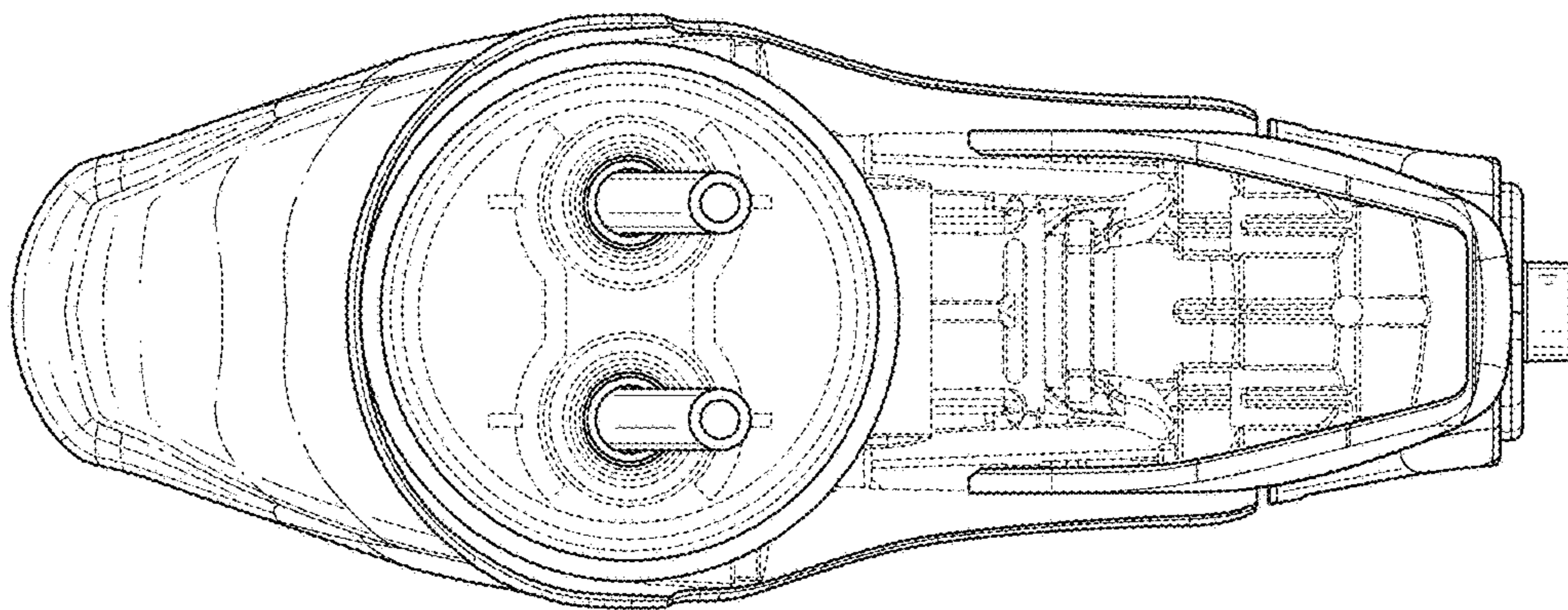


FIG. 8