

US00D862227S

(12) **United States Design Patent**  
**Horn**

(10) **Patent No.:** **US D862,227 S**

(45) **Date of Patent:** **\*\* Oct. 8, 2019**

(54) **CAP WITH A WRITE-ON SURFACE AND WRITING IMPLEMENT HOLDER**

(71) Applicant: **Kimberlee A. Horn**, Crawfordsville, IN (US)

(72) Inventor: **Kimberlee A. Horn**, Crawfordsville, IN (US)

(\*\*) Term: **15 Years**

(21) Appl. No.: **29/640,235**

(22) Filed: **Mar. 13, 2018**

**Related U.S. Application Data**

(62) Division of application No. 29/542,682, filed on Oct. 16, 2015, now Pat. No. Des. 813,033.

(51) **LOC (12) Cl.** ..... **09-07**

(52) **U.S. Cl.**  
USPC ..... **D9/436; D9/449**

(58) **Field of Classification Search**  
USPC ..... D7/392, 392.1, 396.2, 397, 398, 619.1, D7/620, 300.2, 305, 316, 635; D9/434-436, 454, 499, 516, 715-719, D9/449, 450, 440, 443, 446-448, 521; D23/260, 269, 390  
CPC .... B65D 1/0246; B65D 1/0223; B65D 23/12; B65D 25/20; B65D 51/18  
See application file for complete search history.

(56) **References Cited**

**U.S. PATENT DOCUMENTS**

D380,674 S	7/1997	Smith	
D508,200 S *	8/2005	Cagle	D9/434
D514,935 S *	2/2006	Sturk	D9/449
D589,793 S	4/2009	Christensen et al.	
D612,237 S	3/2010	Richey	
D630,405 S	1/2011	Healy	
D707,492 S	6/2014	George et al.	
D733,418 S	7/2015	Horn	

D739,236 S *	9/2015	Monbarren	D9/449
D746,679 S	1/2016	Jasso Gomez	
D747,157 S	1/2016	Pasho	
9,241,870 B2	1/2016	Horn	
D752,381 S	3/2016	Wah	
9,290,302 B2	3/2016	Horn	
9,603,777 B2	3/2017	Horn	
D790,965 S *	7/2017	Horn	D9/436
D802,416 S *	11/2017	Horn	D9/436
D813,033 S *	3/2018	Horn	D9/436
D839,044 S *	1/2019	Potter	D7/392

(Continued)

**OTHER PUBLICATIONS**

Coroflot. Pill Carrier by Cynthia Spearman. Jun. 10, 2009. <https://www.coroflot.com/cindyjo/pill-carrier> (Year: 2009).\*

*Primary Examiner* — George D. Kirschbaum

*Assistant Examiner* — Darcey E Gottschalk

(74) *Attorney, Agent, or Firm* — AP Patents

(57) **CLAIM**

The ornamental design for a cap with a write-on surface and writing implement holder, as shown and described.

**DESCRIPTION**

FIG. 1 depicts a perspective view of one embodiment of a cap showing my new design.

FIG. 2 is a front view of the cap of FIG. 1.

FIG. 3 depicts a rear view of the cap in FIG. 1.

FIG. 4 depicts a right view of the cap in FIG. 1.

FIG. 5 depicts a left side view of the cap in FIG. 1.

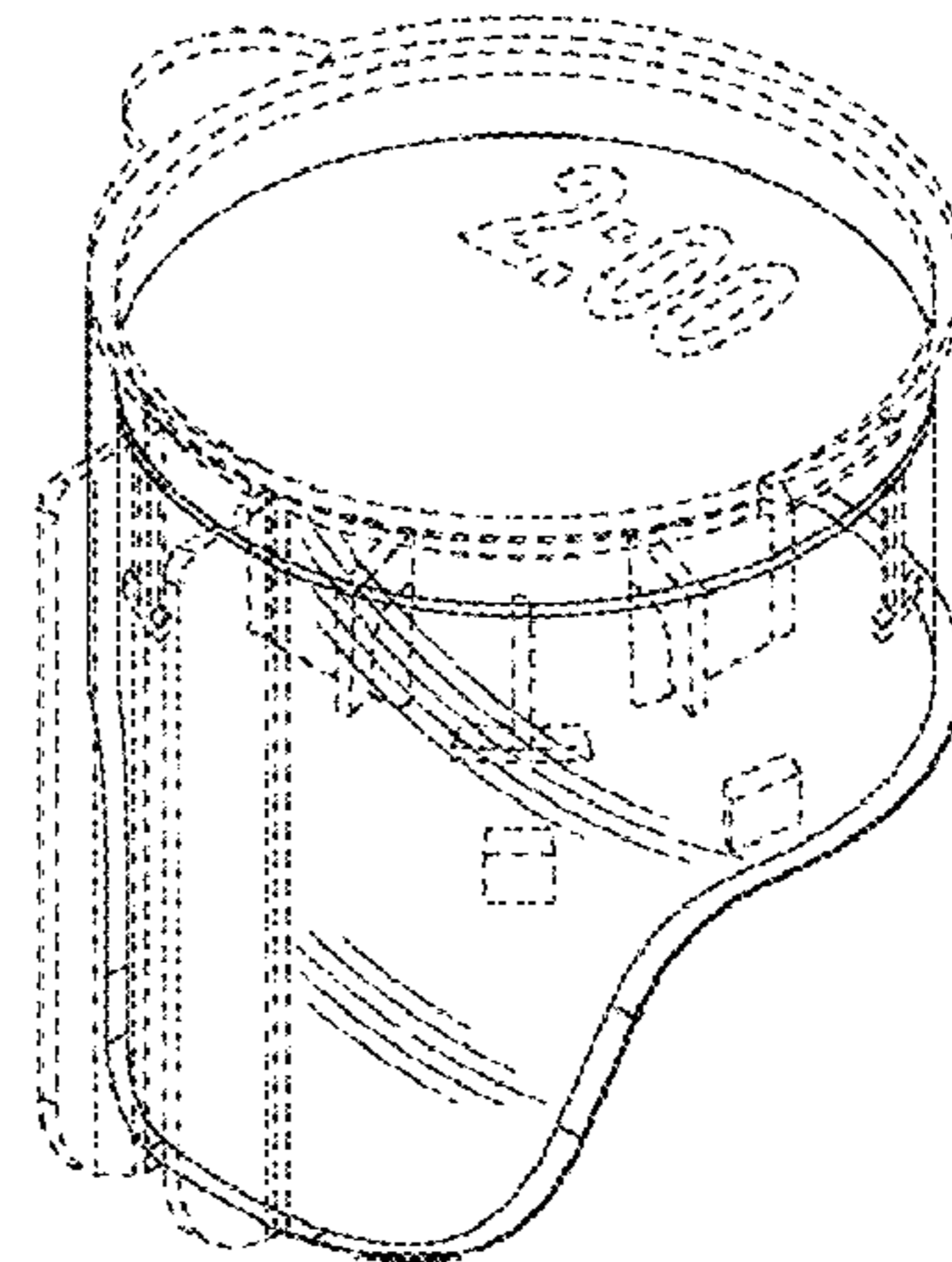
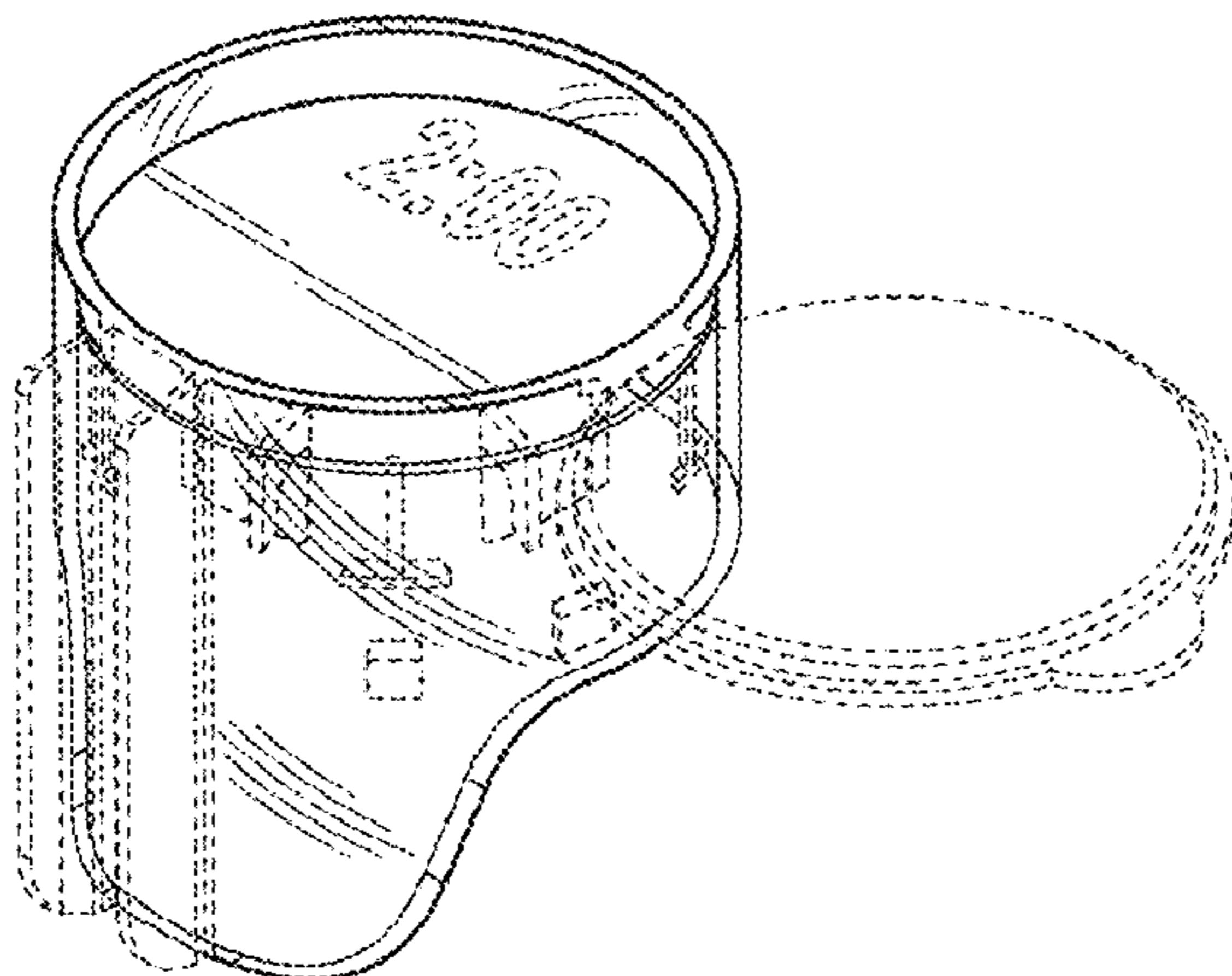
FIG. 6 depicts a top view of the cap in FIG. 1.

FIG. 7 depicts a bottom view of the cap in FIG. 1; and,

FIG. 8 depicts another perspective view of the cap in FIG. 1.

The objects shown in broken, phantom lines are provided for environmental purposes only and form no part of the claimed design.

**1 Claim, 3 Drawing Sheets**



(56)

**References Cited**

U.S. PATENT DOCUMENTS

2014/0209489 A1\* 7/2014 Horn ..... A61J 7/0481  
206/216  
2015/0047998 A1 2/2015 Horn  
2015/0108016 A1\* 4/2015 Horn ..... A61J 1/00  
206/232  
2015/0108027 A1\* 4/2015 Horn ..... A61J 7/04  
206/459.1

\* cited by examiner

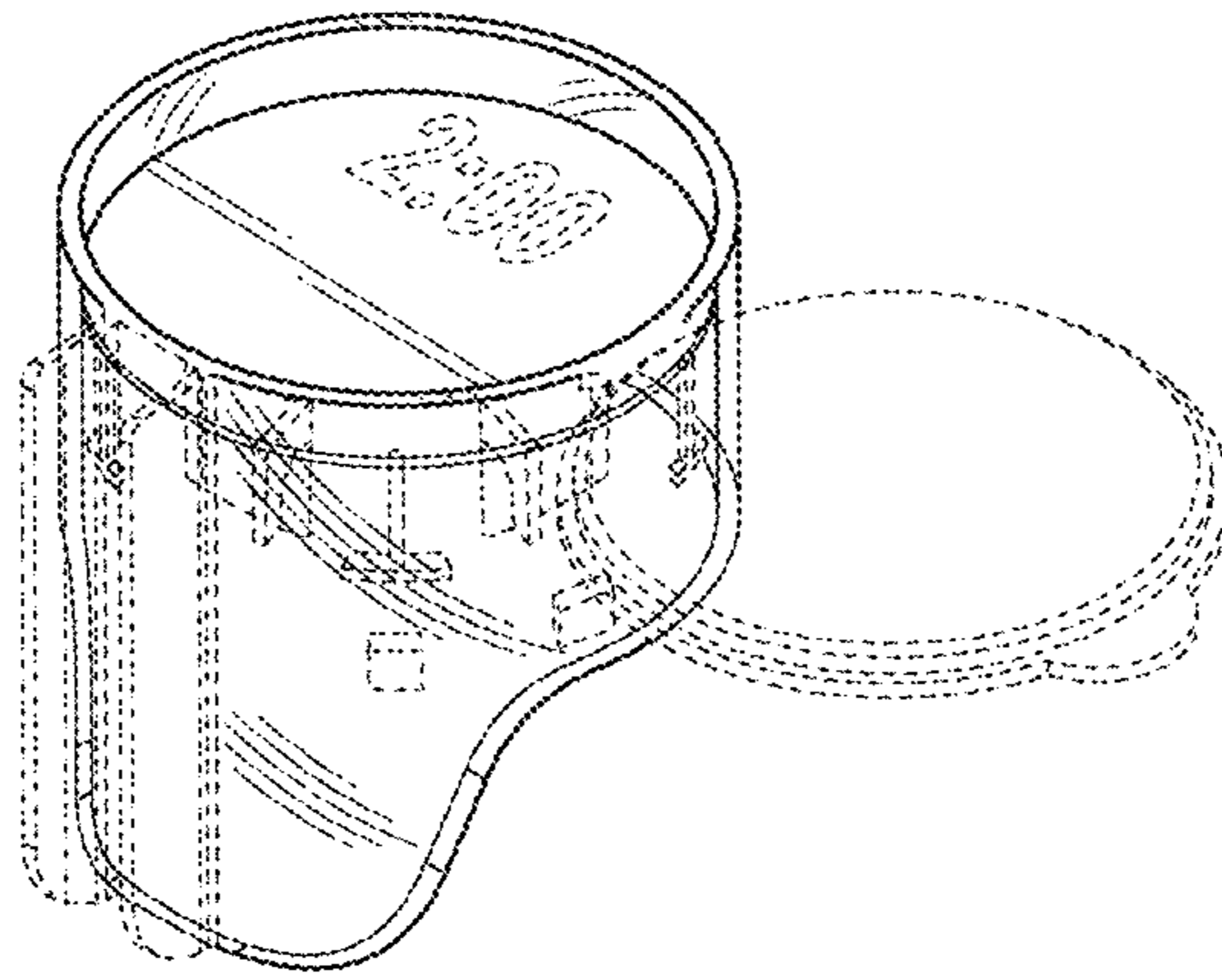


FIG. 1

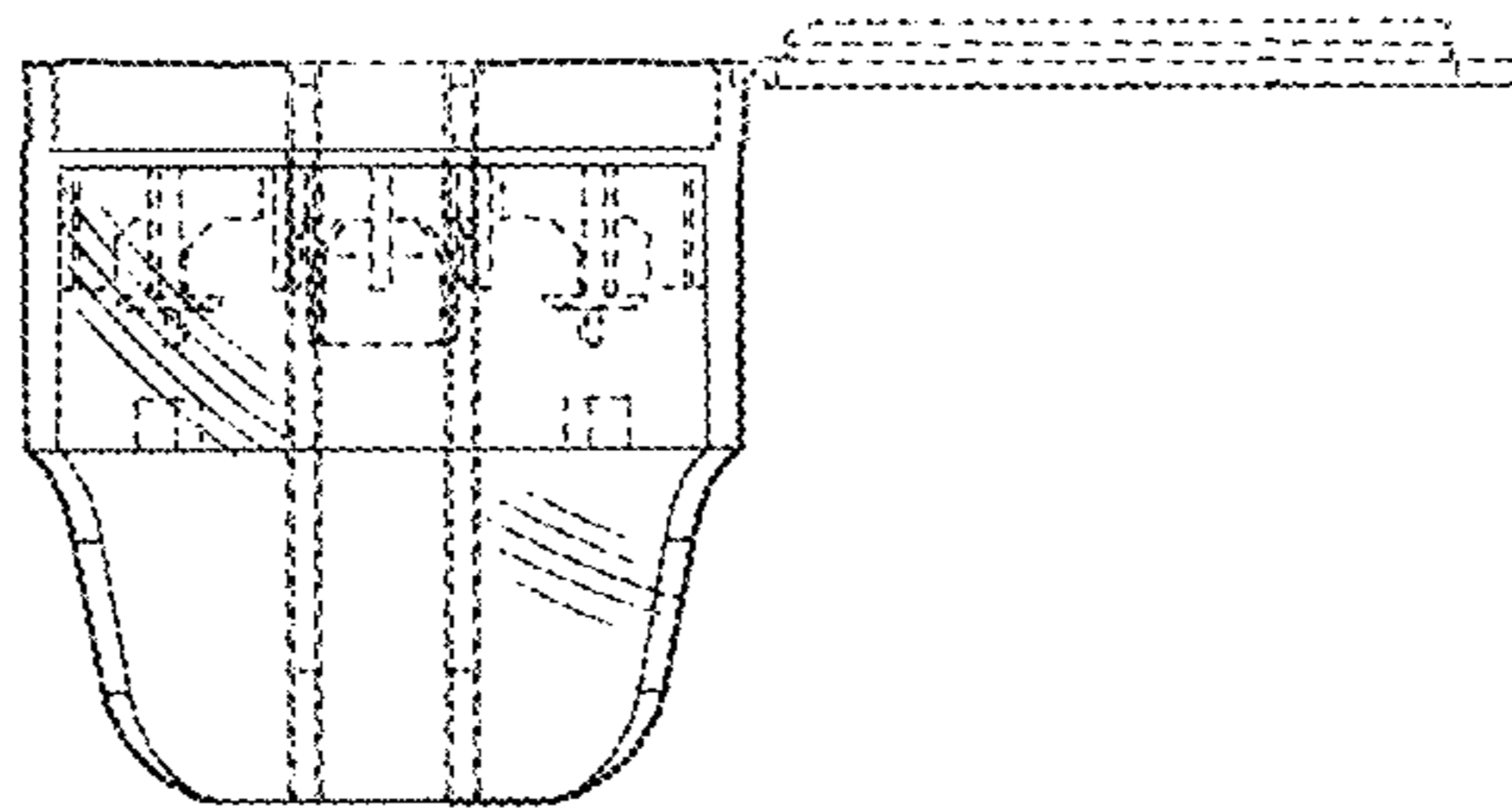


FIG. 2

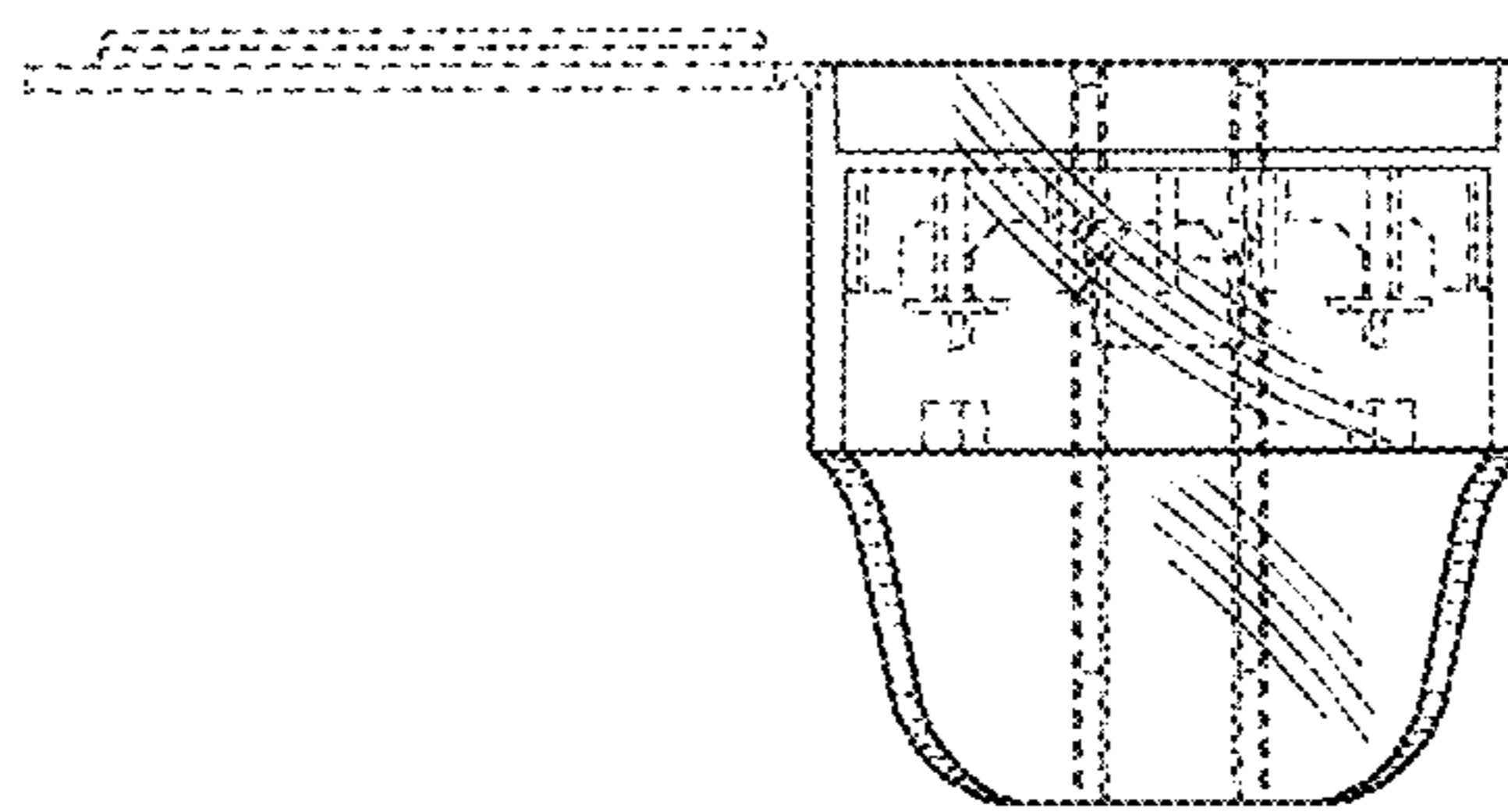


FIG. 3

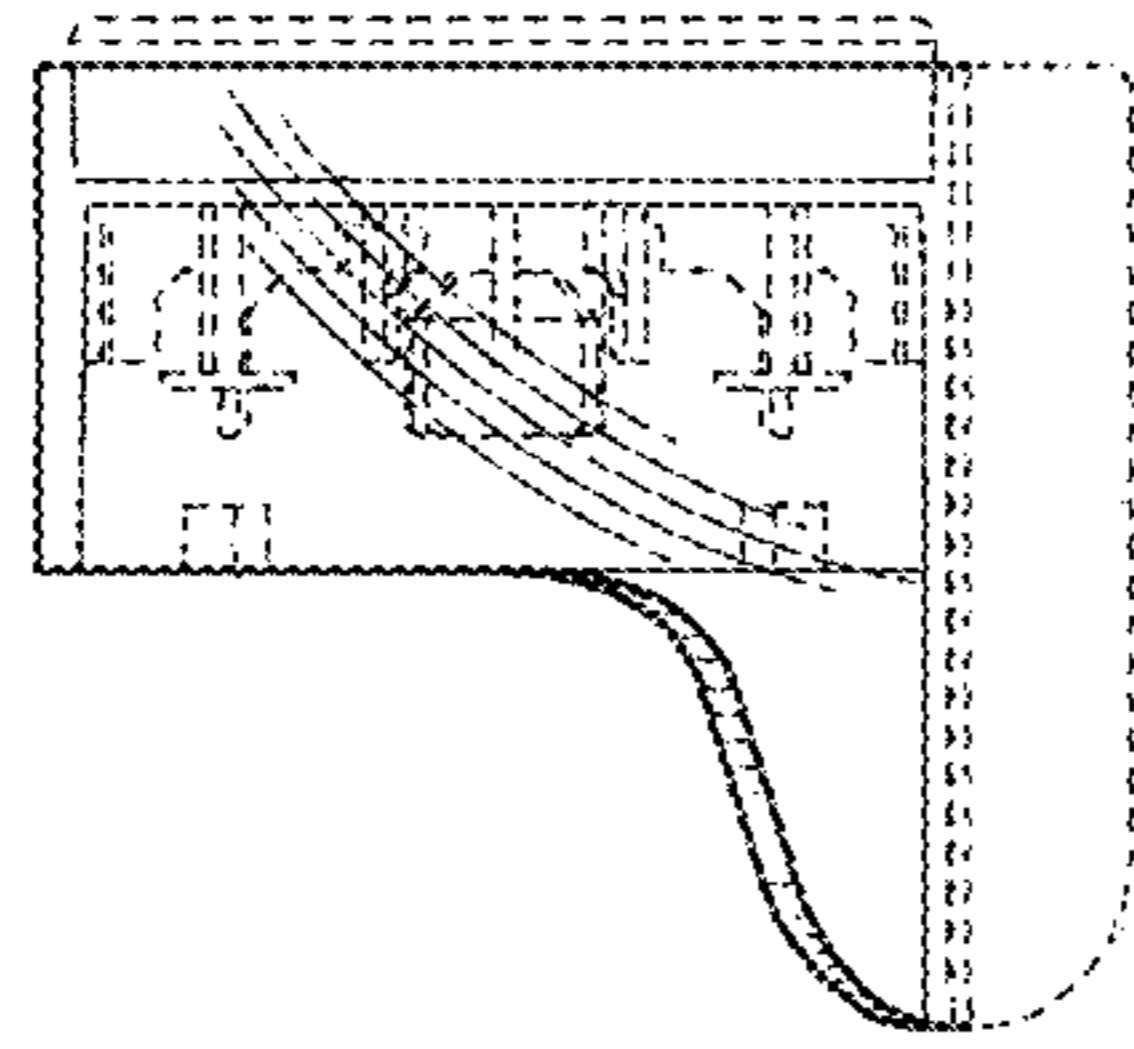


FIG. 4

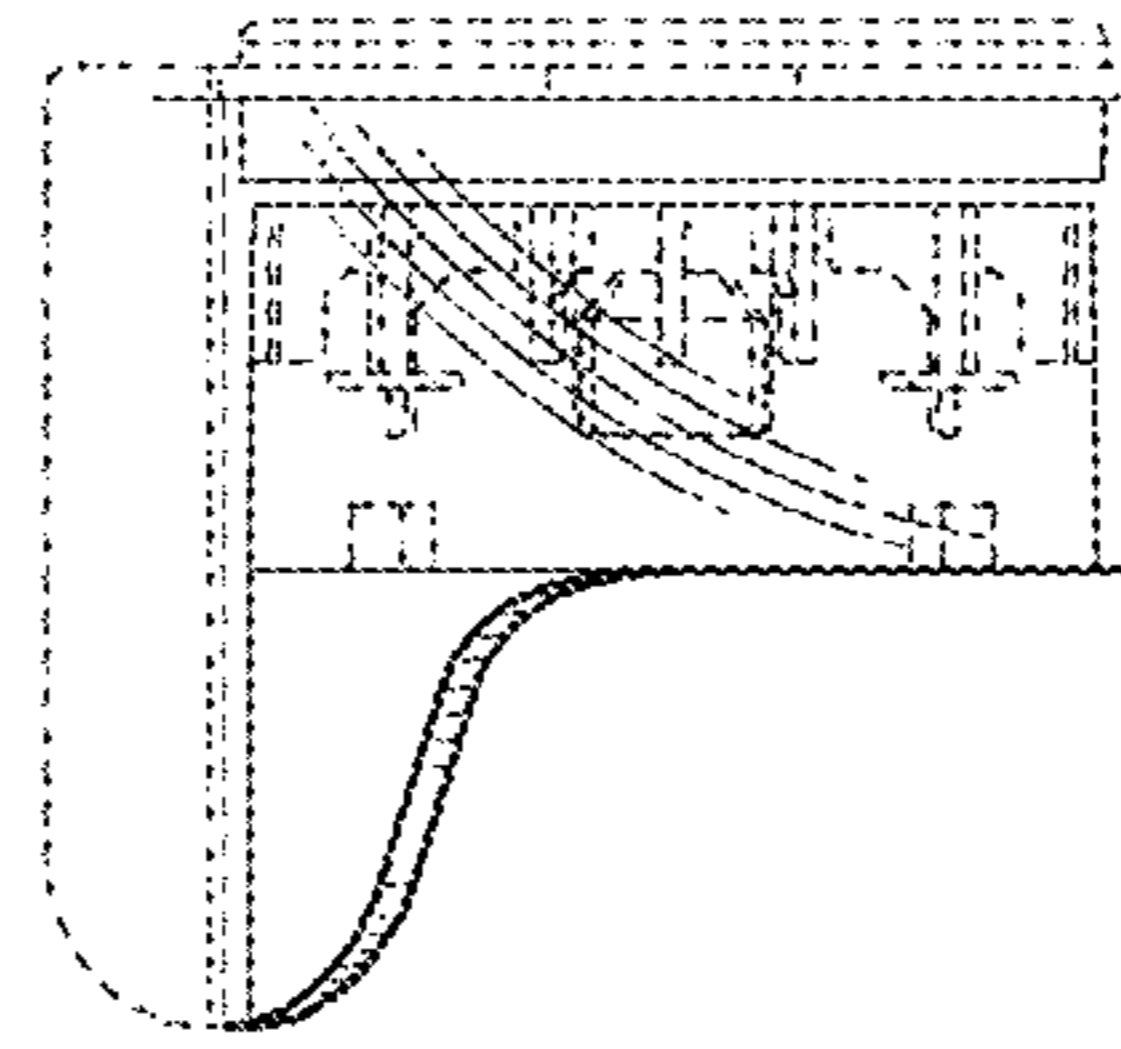


FIG. 5

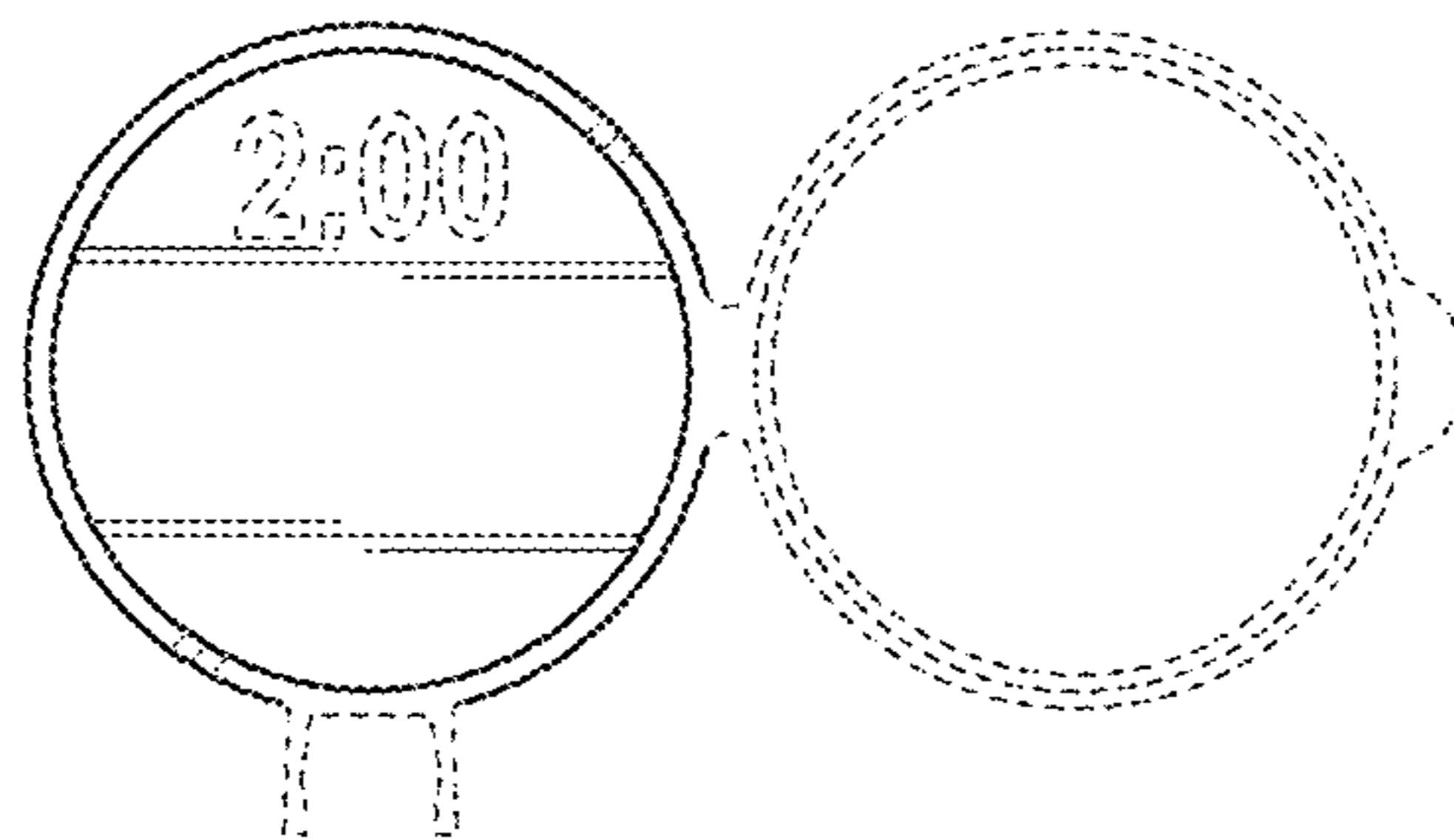


FIG. 6

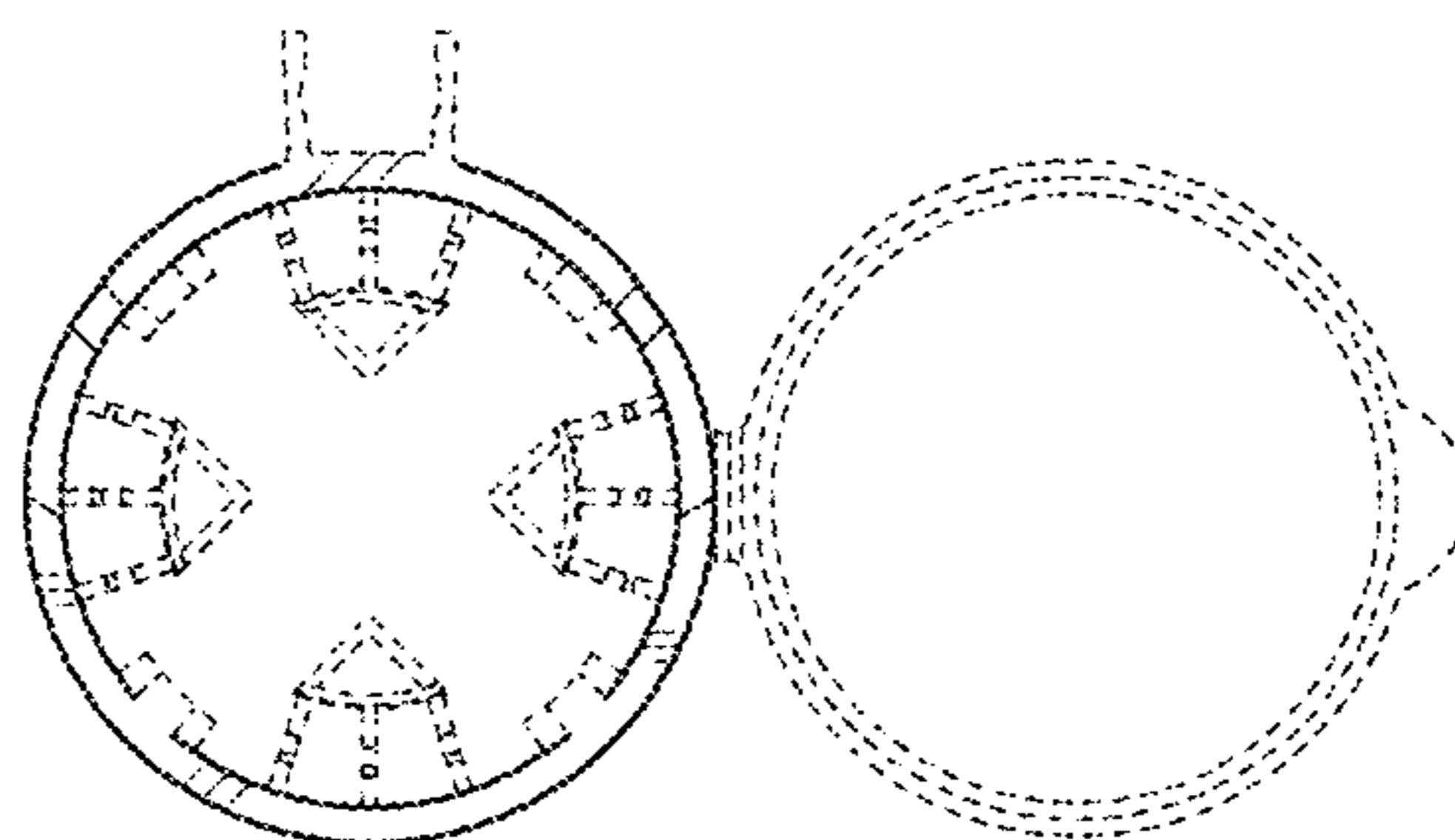


FIG. 7

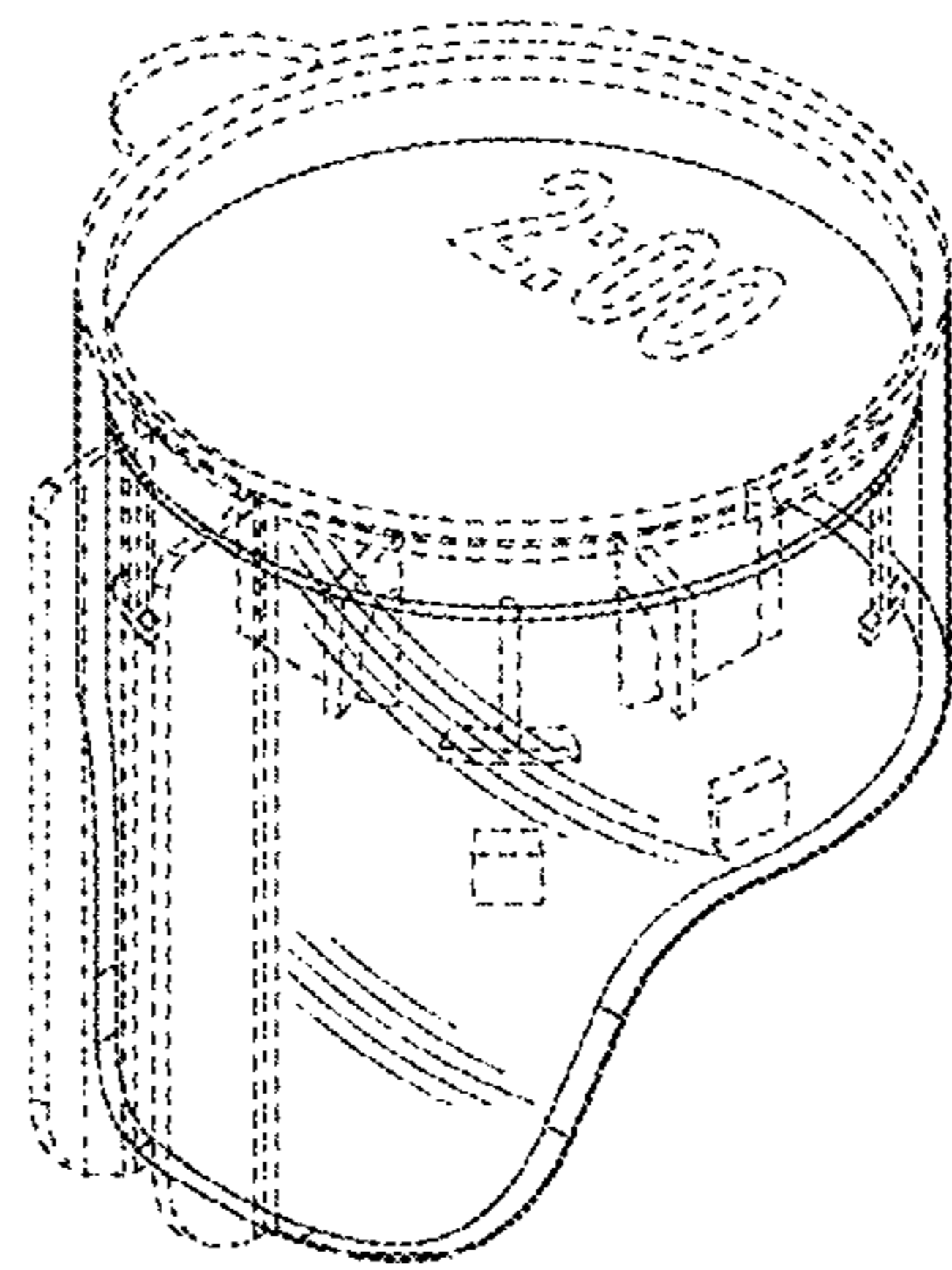


FIG. 8