

US00D862226S

(12) **United States Design Patent**
Horn

(10) **Patent No.:** **US D862,226 S**

(45) **Date of Patent:** **** Oct. 8, 2019**

(54) **CAP WITH HINGED LID, WRITE-ON SURFACE AND WRITING IMPLEMENT HOLDER**

Primary Examiner — George D. Kirschbaum

Assistant Examiner — Darcey E Gottschalk

(74) *Attorney, Agent, or Firm* — AP Patents

(71) Applicant: **Kimberlee Ann Horn**, Crawfordsville, IN (US)

(72) Inventor: **Kimberlee Ann Horn**, Crawfordsville, IN (US)

(**) Term: **15 Years**

(21) Appl. No.: **29/625,959**

(22) Filed: **Nov. 14, 2017**

Related U.S. Application Data

(63) Continuation of application No. 29/571,724, filed on Jul. 21, 2016, now Pat. No. Des. 802,416.

(51) **LOC (12) Cl.** **09-07**

(52) **U.S. Cl.**

USPC **D9/436**; D9/449

(58) **Field of Classification Search**

USPC D7/392, 392.1, 396.2, 397, 398, 619.1, D7/620, 300.2, 305, 316, 635;

D9/434–436, 454, 499, 516, 715–719,

D9/449, 450, 440, 443, 446–448, 521;

D23/260, 269, 390

CPC B65D 1/0246; B65D 1/0223; B65D 23/12;

B65D 25/20; B65D 51/18

See application file for complete search history.

(56) **References Cited**

U.S. PATENT DOCUMENTS

D380,674 S 7/1997 Smith

D508,200 S * 8/2005 Cagle D9/434

D514,935 S * 2/2006 Sturk D9/449

D589,793 S 4/2009 Christensen et al.

(Continued)

OTHER PUBLICATIONS

Coroflot. Pill Carrier by Cynthia Spearman. Jun. 10, 2009. <https://www.coroflot.com/cindyjo/pill-carrier> (Year: 2009).*

(57) **CLAIM**

The ornamental design for a cap with hinged lid, write-on surface and writing implement holder, as shown and described.

DESCRIPTION

FIG. 1 depicts a perspective view of a cap showing my new design with a hinged lid in one open position.

FIG. 2 depicts a front view of the cap of FIG. 1.

FIG. 3 depicts a rear view of the cap in FIG. 1.

FIG. 4 depicts a right view of the cap in FIG. 1.

FIG. 5 depicts a left side view of the cap in FIG. 1.

FIG. 6 depicts a top view of the cap in FIG. 1.

FIG. 7 depicts a bottom view of the cap in FIG. 1.

FIG. 8 depicts another perspective view of the cap in FIG. 1 with the hinged lid in a closed position.

FIG. 9 is a front view of the cap of FIG. 8.

FIG. 10 depicts a top view of the cap in FIG. 8.

FIG. 11 depicts a front view of the cap of FIG. 1 with the hinged lid in one open position.

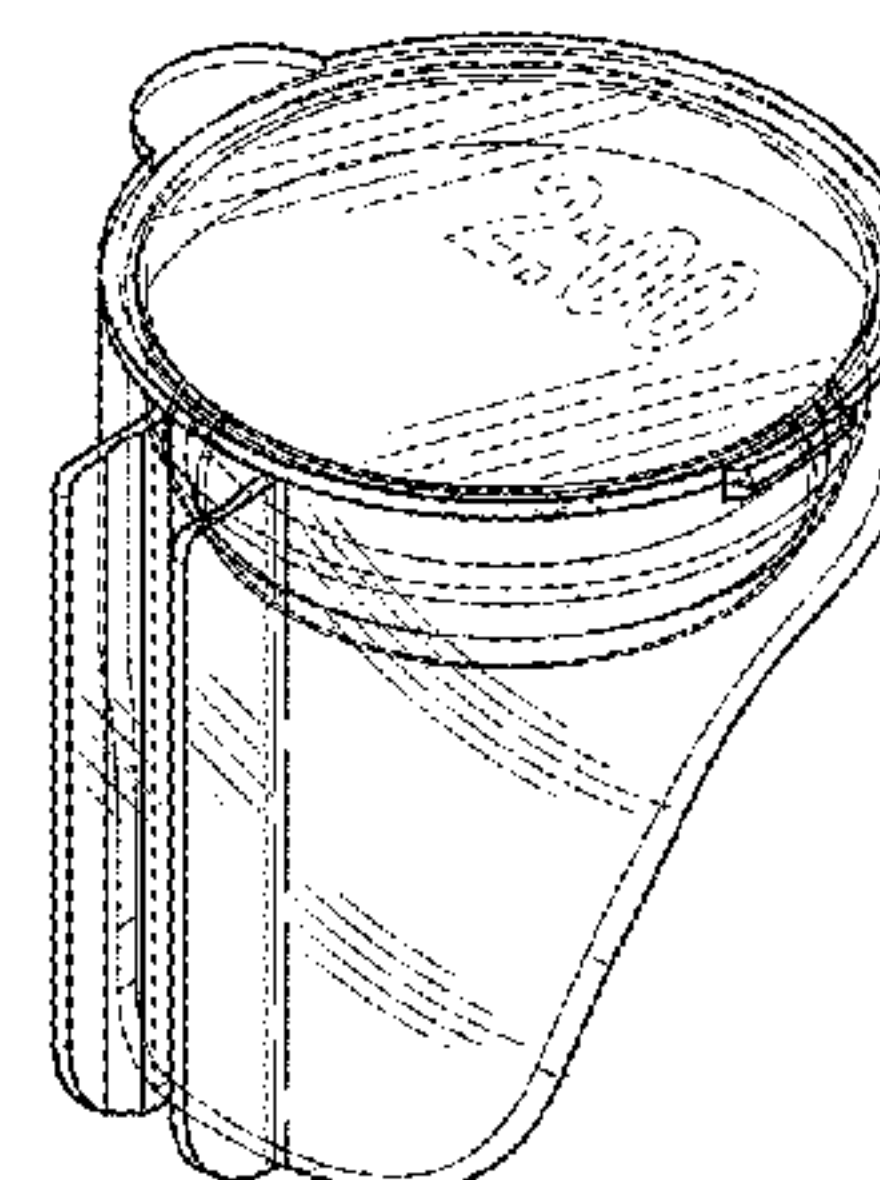
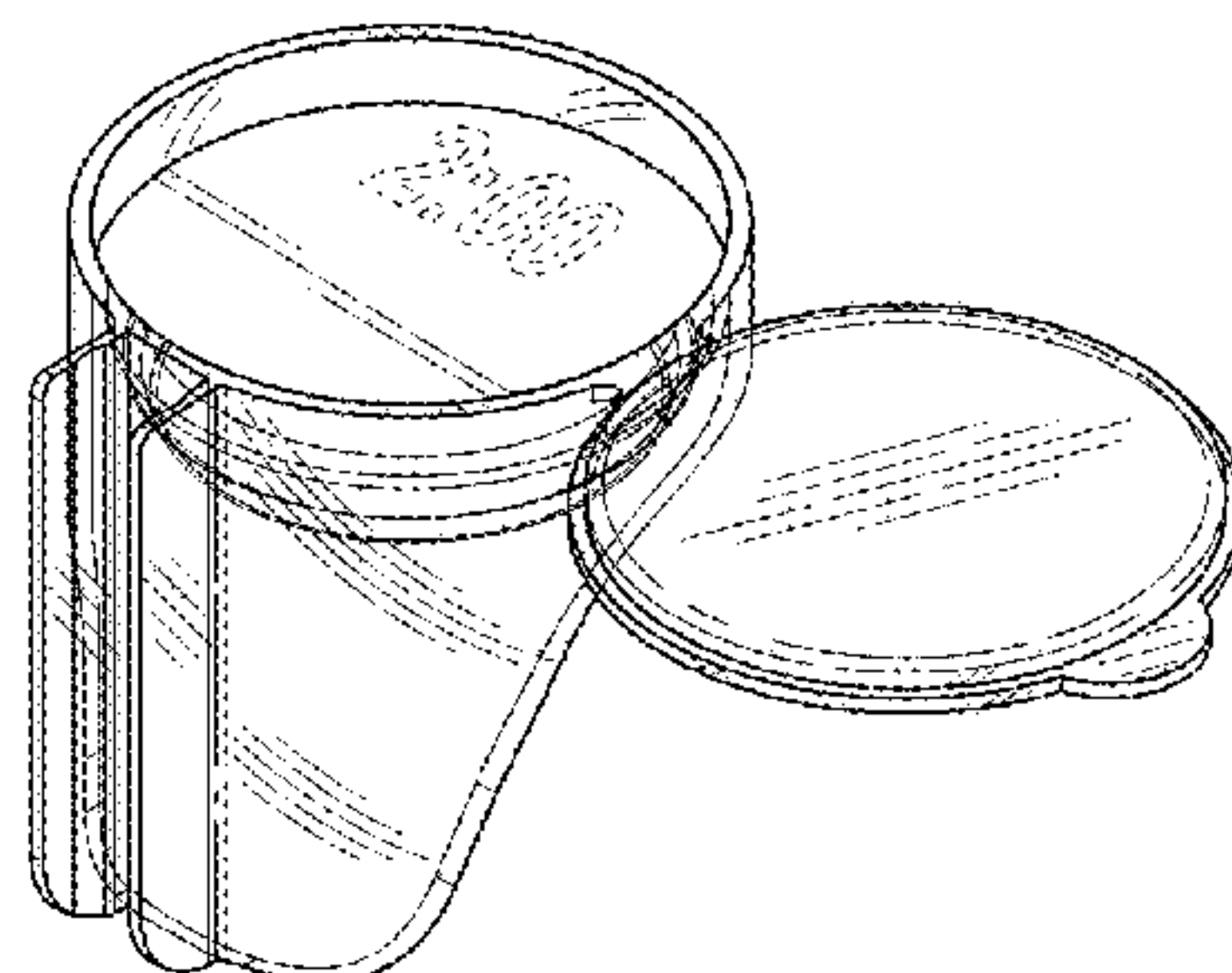
FIG. 12 depicts a front view of the cap of FIG. 1 with the hinged lid in one open position.

FIG. 13 depicts a front view of the cap of FIG. 1 with the hinged lid in one open position; and,

FIG. 14 depicts a perspective environmental view of the cap in FIG. 1 in a combination with a container and a writing implement.

The objects shown in broken, phantom lines are provided for environmental purposes only and form no part of the claimed design. The rear view, right side view, left side view and bottom view of the cap of FIG. 8 are identical to the respective views of the cap of FIG. 1, except for the hinged lid being in a closed position.

1 Claim, 5 Drawing Sheets



(56)

References Cited

U.S. PATENT DOCUMENTS

D612,237	S	3/2010	Richey	
D630,405	S	1/2011	Healy	
D707,492	S	6/2014	George et al.	
D733,418	S	7/2015	Horn	
D739,236	S *	9/2015	Monbarren D9/449
D746,679	S	1/2016	Jasso Gomez	
D747,157	S	1/2016	Pasho	
9,241,870	B2	1/2016	Horn	
D752,381	S	3/2016	Wahl	
9,290,302	B2	3/2016	Horn	
9,603,777	B2	3/2017	Horn	
D790,965	S *	7/2017	Horn D9/436
D802,416	S *	11/2017	Horn D9/436
D813,033	S *	3/2018	Horn D9/436
D839,044	S *	1/2019	Potter D7/392
2014/0209489	A1 *	7/2014	Horn A61J 7/0481 206/216
2015/0047998	A1	2/2015	Horn	
2015/0108016	A1 *	4/2015	Horn A61J 1/00 206/232
2015/0108027	A1 *	4/2015	Horn A61J 7/04 206/459.1

* cited by examiner

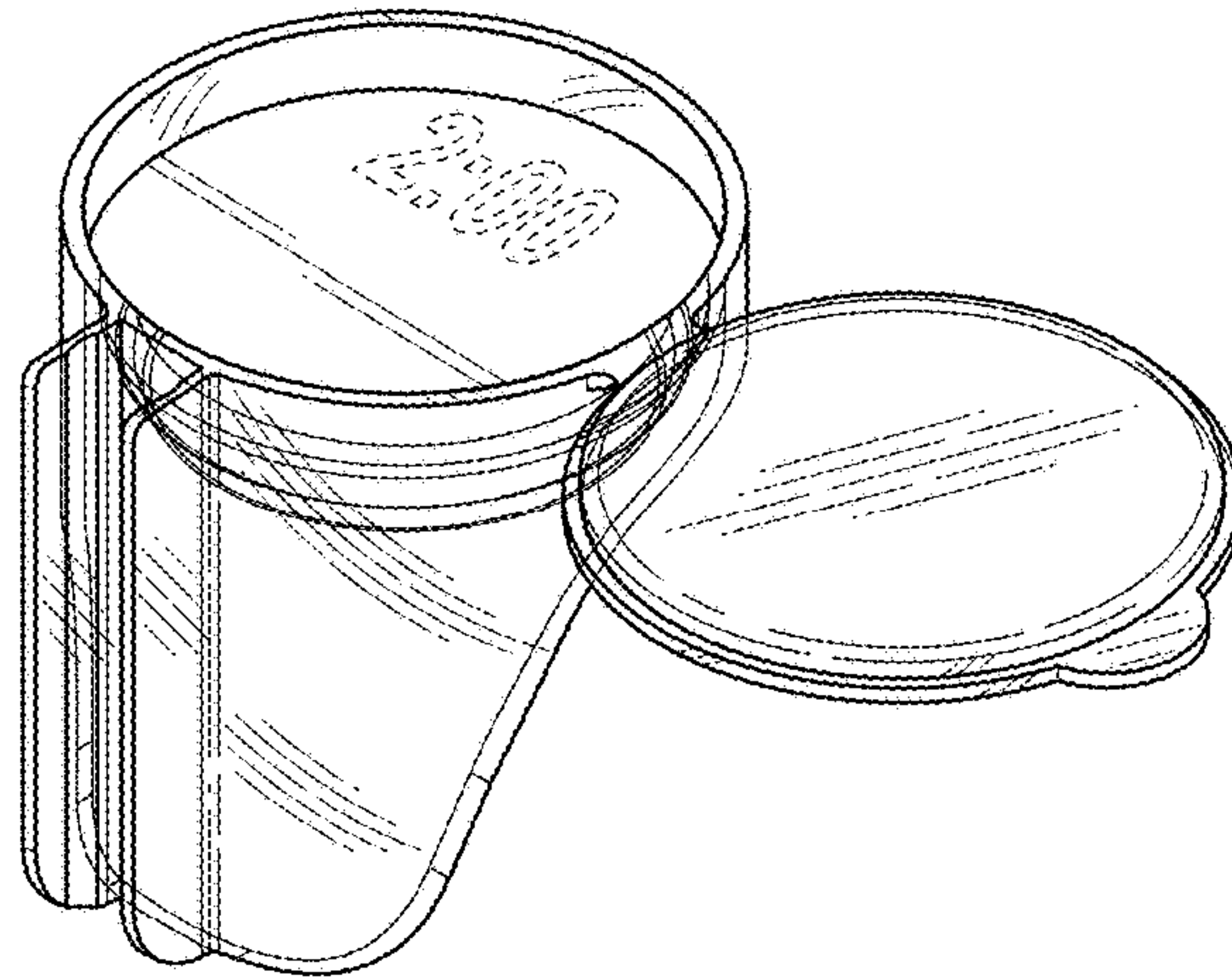


FIG. 1

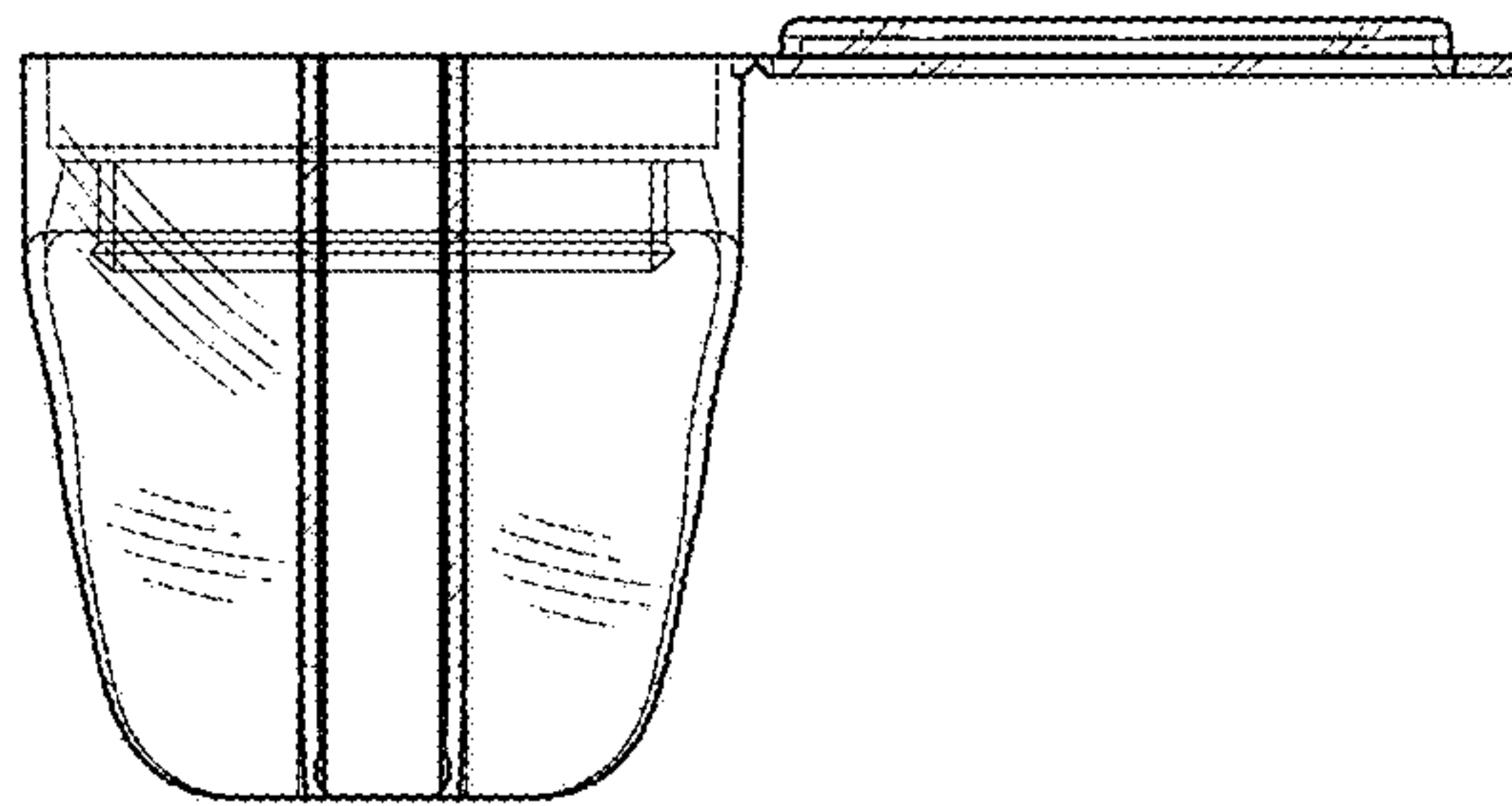


FIG. 2

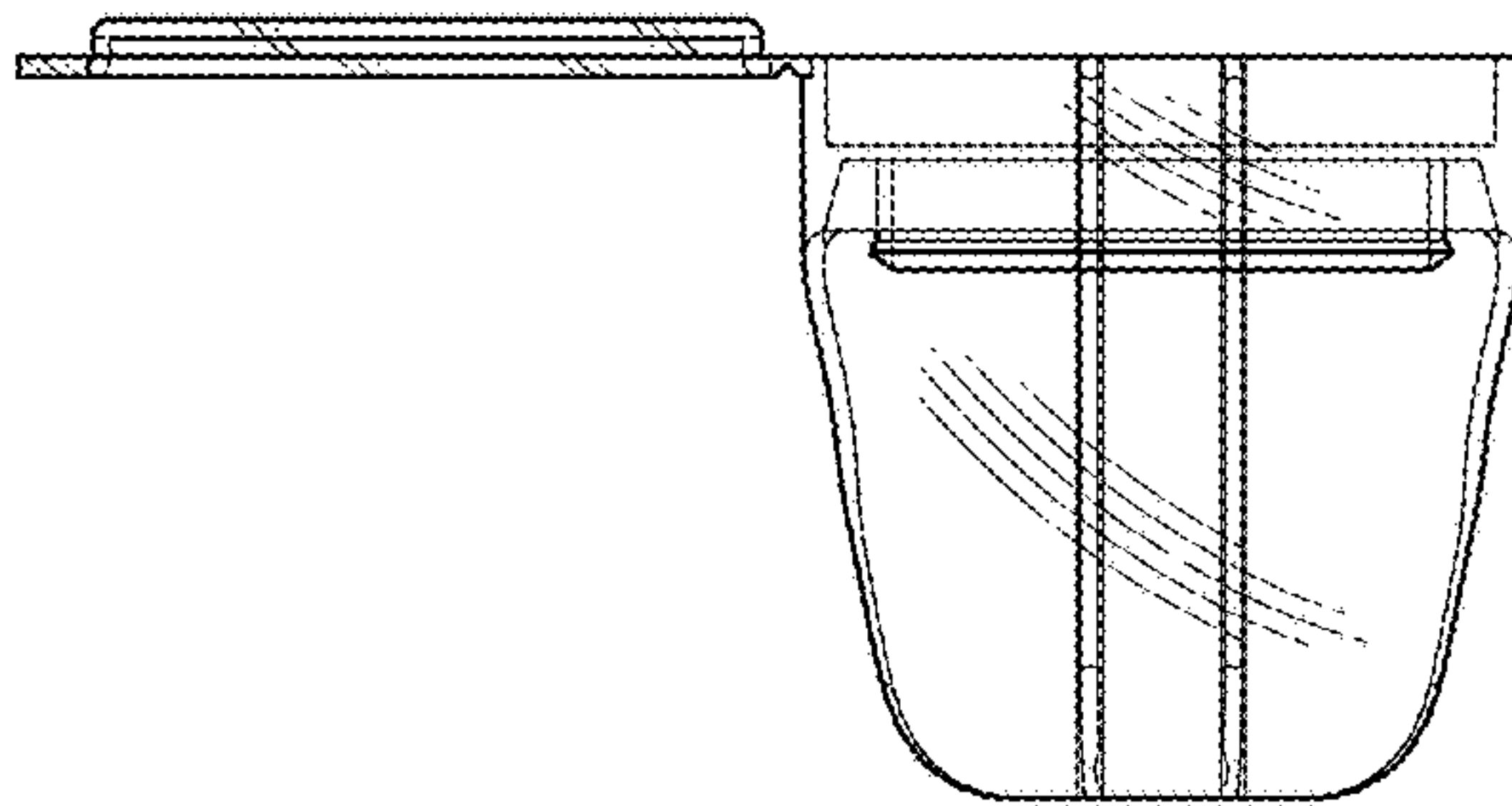


FIG. 3

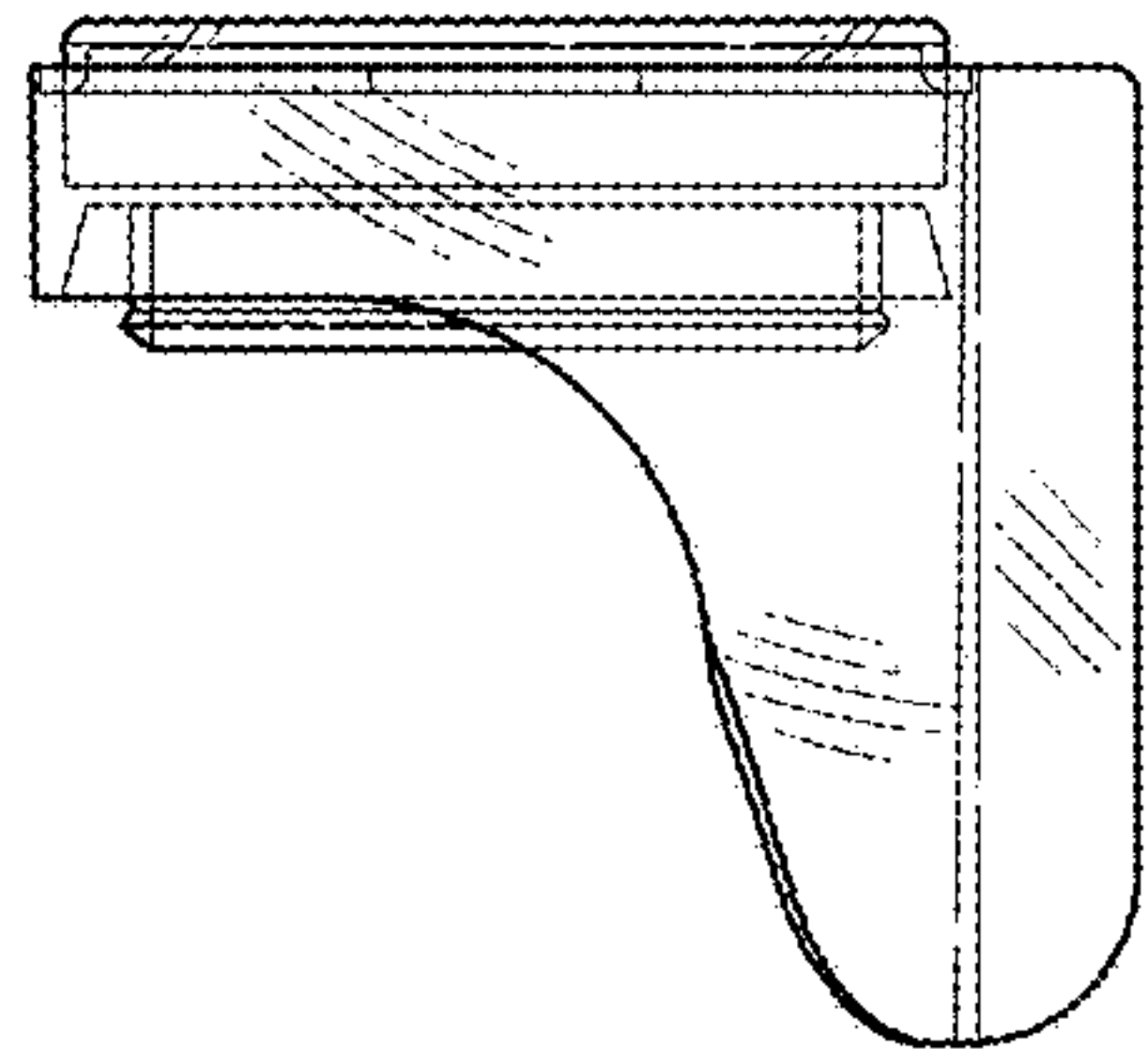


FIG. 4

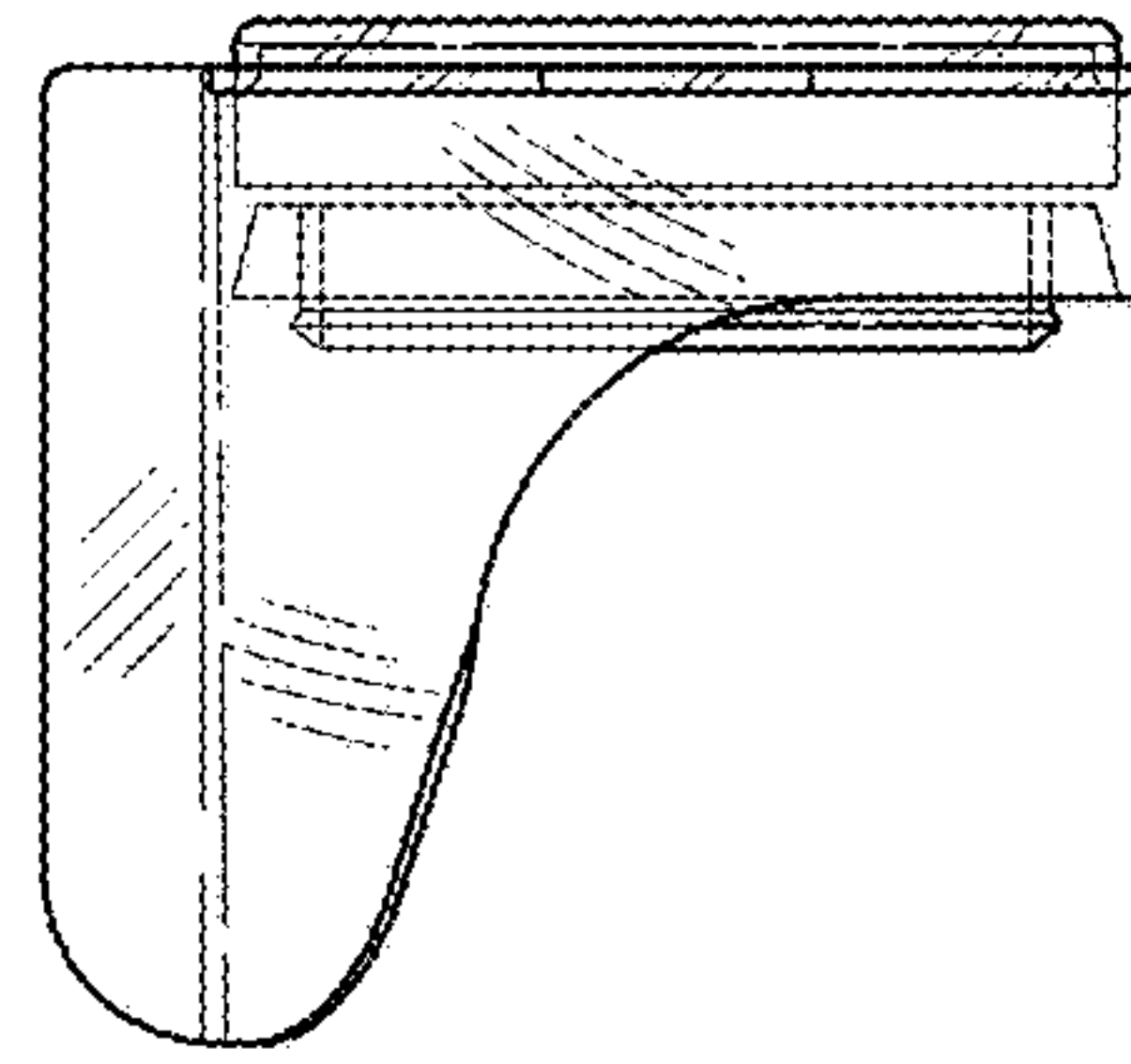


FIG. 5

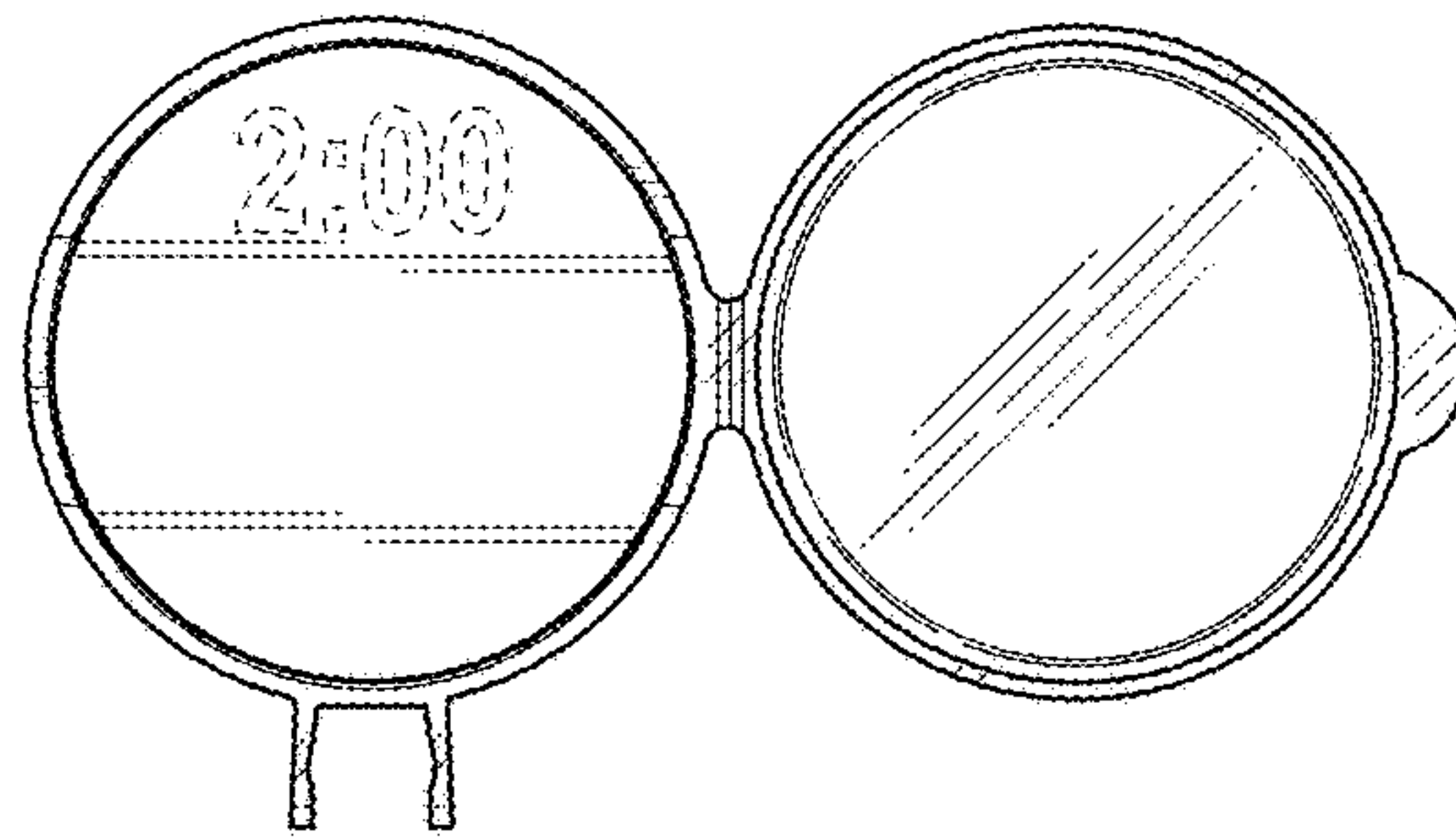


FIG. 6

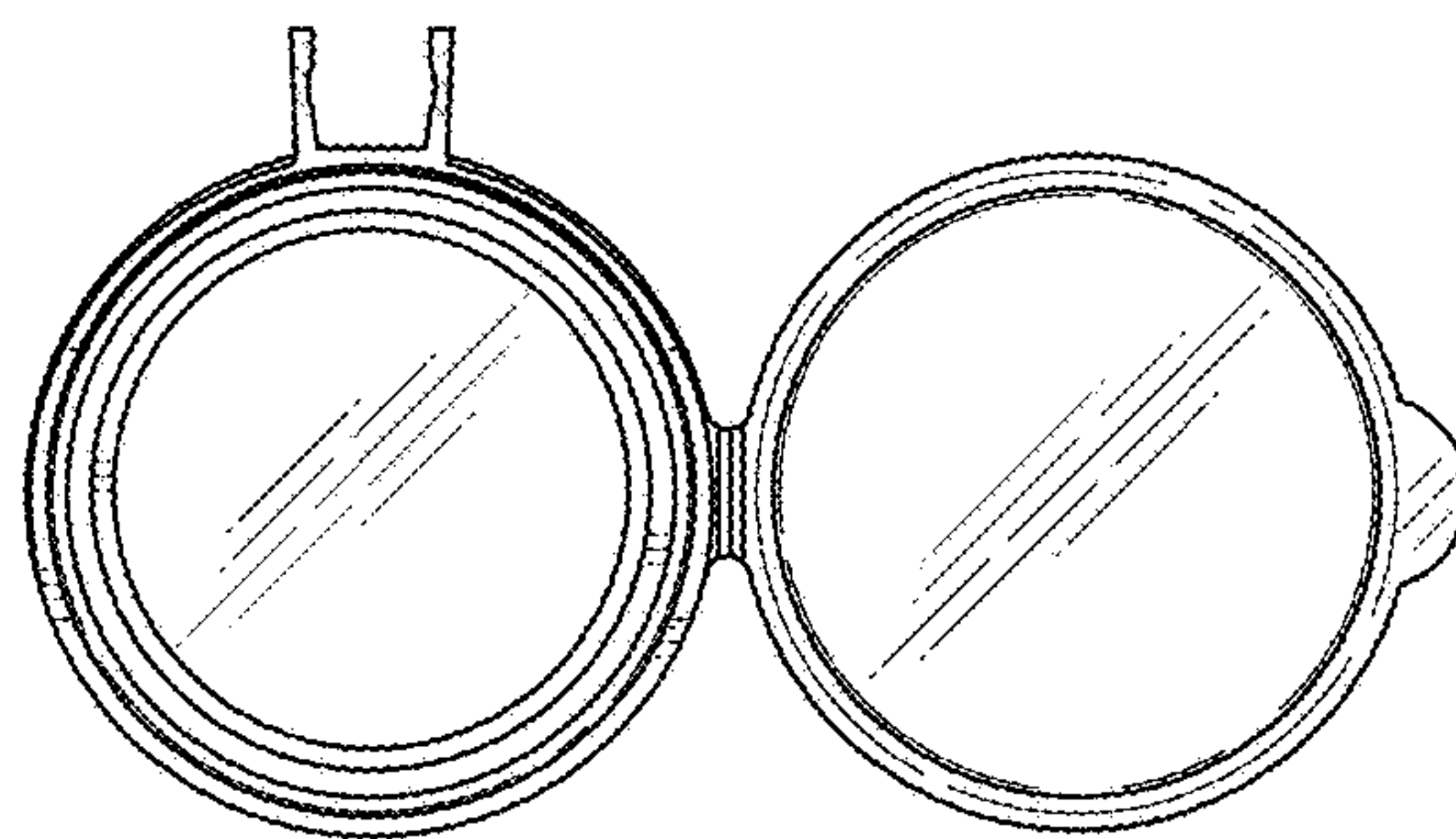


FIG. 7

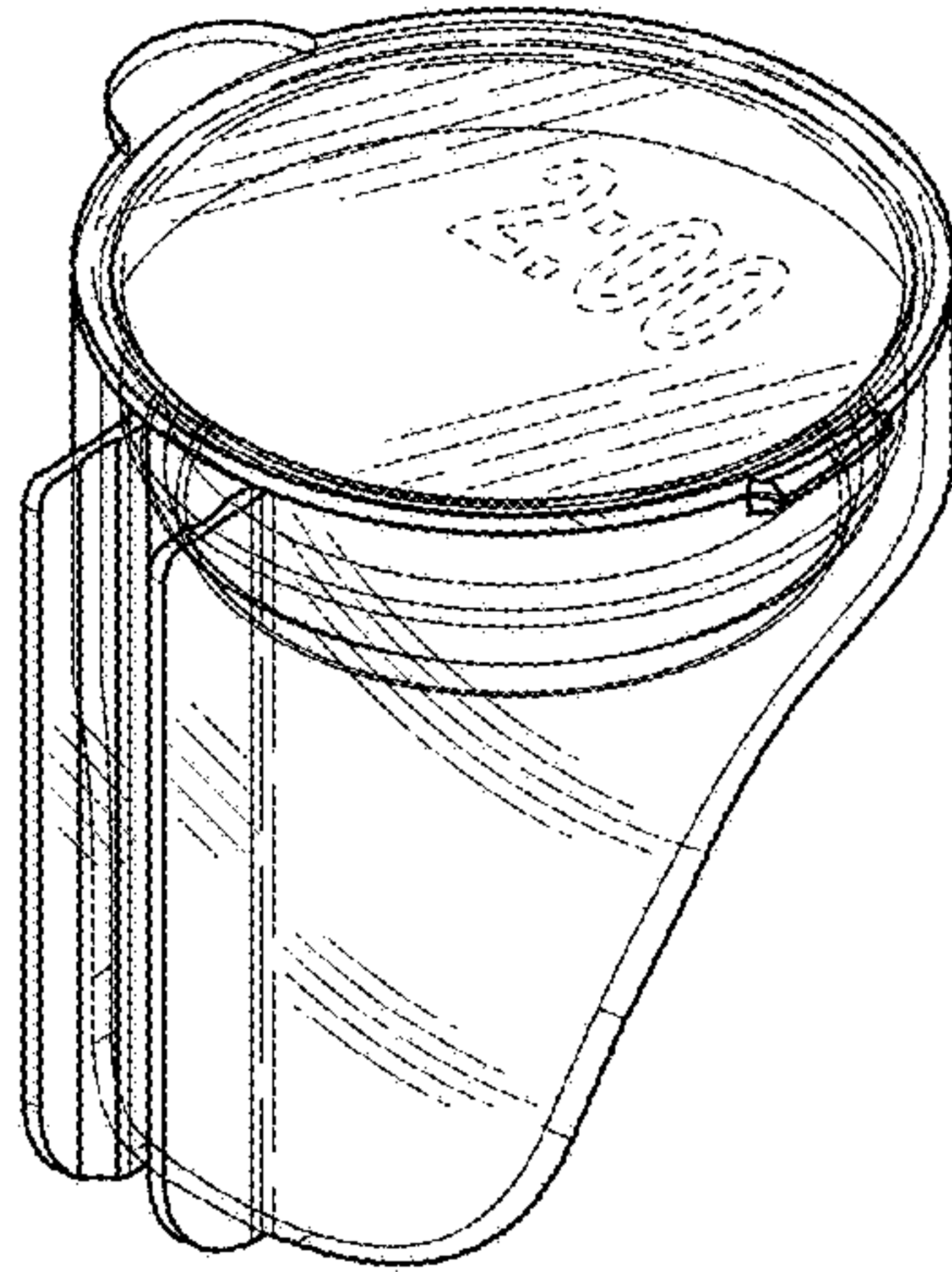


FIG. 8

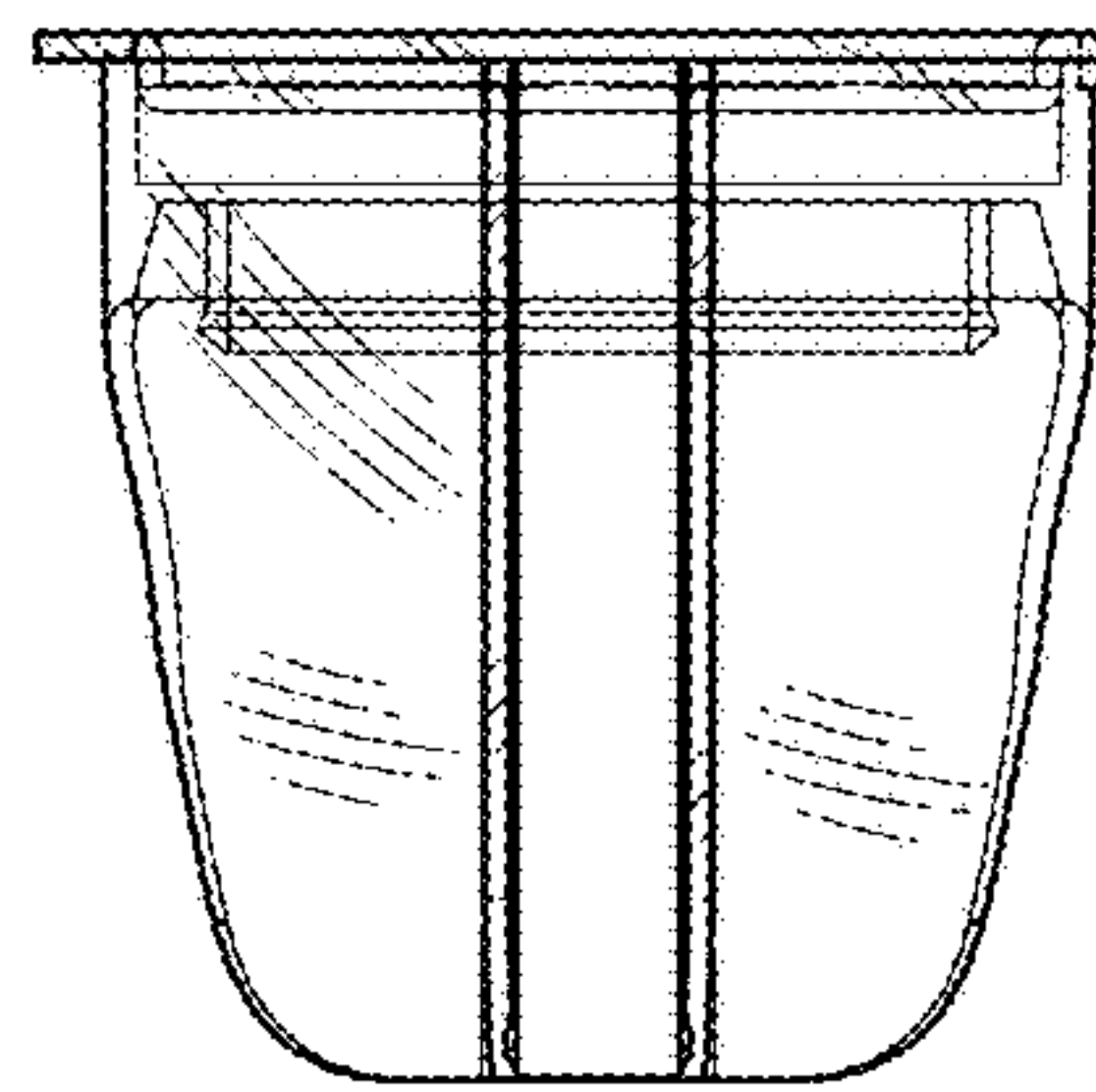


FIG. 9

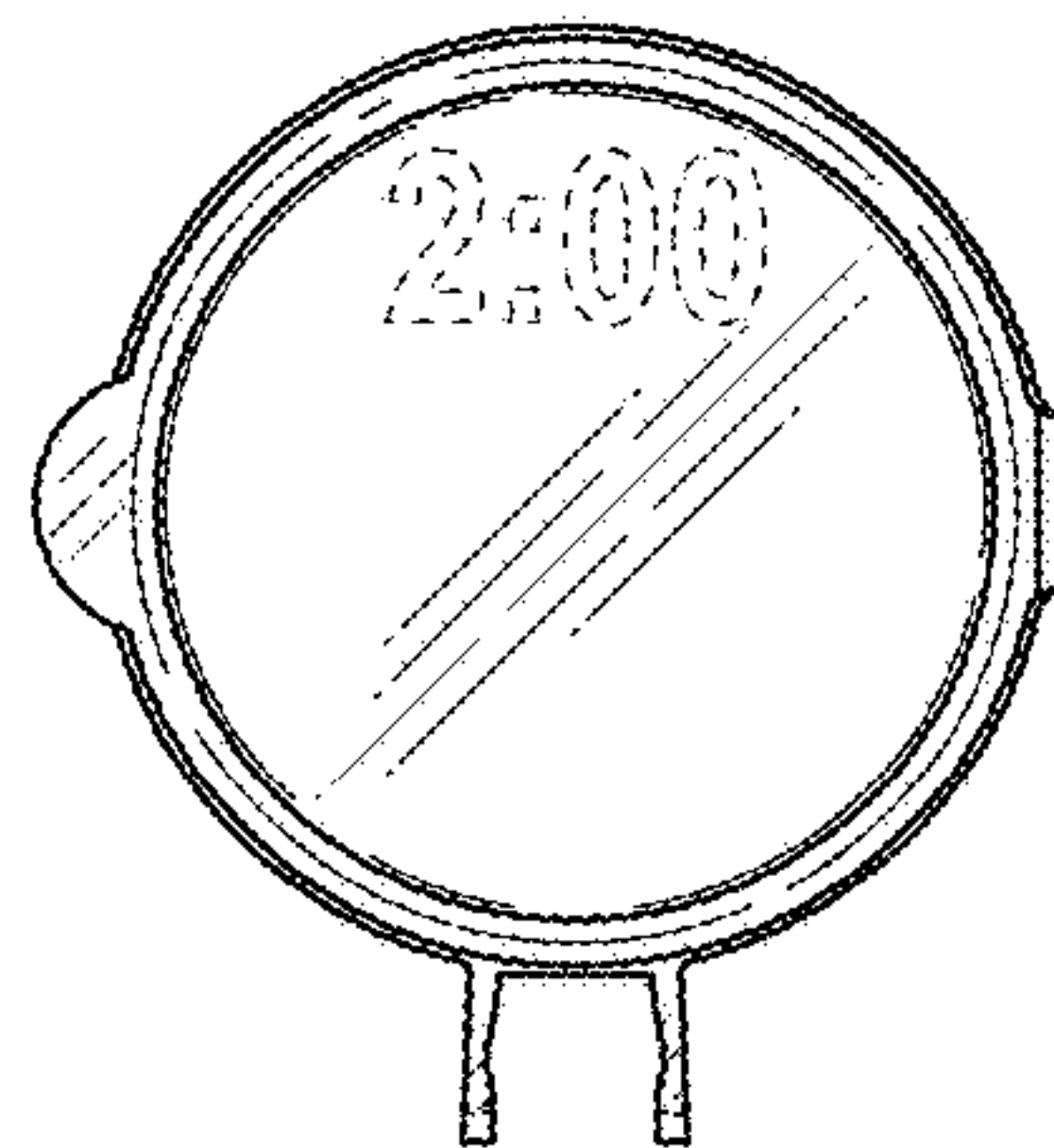


FIG. 10

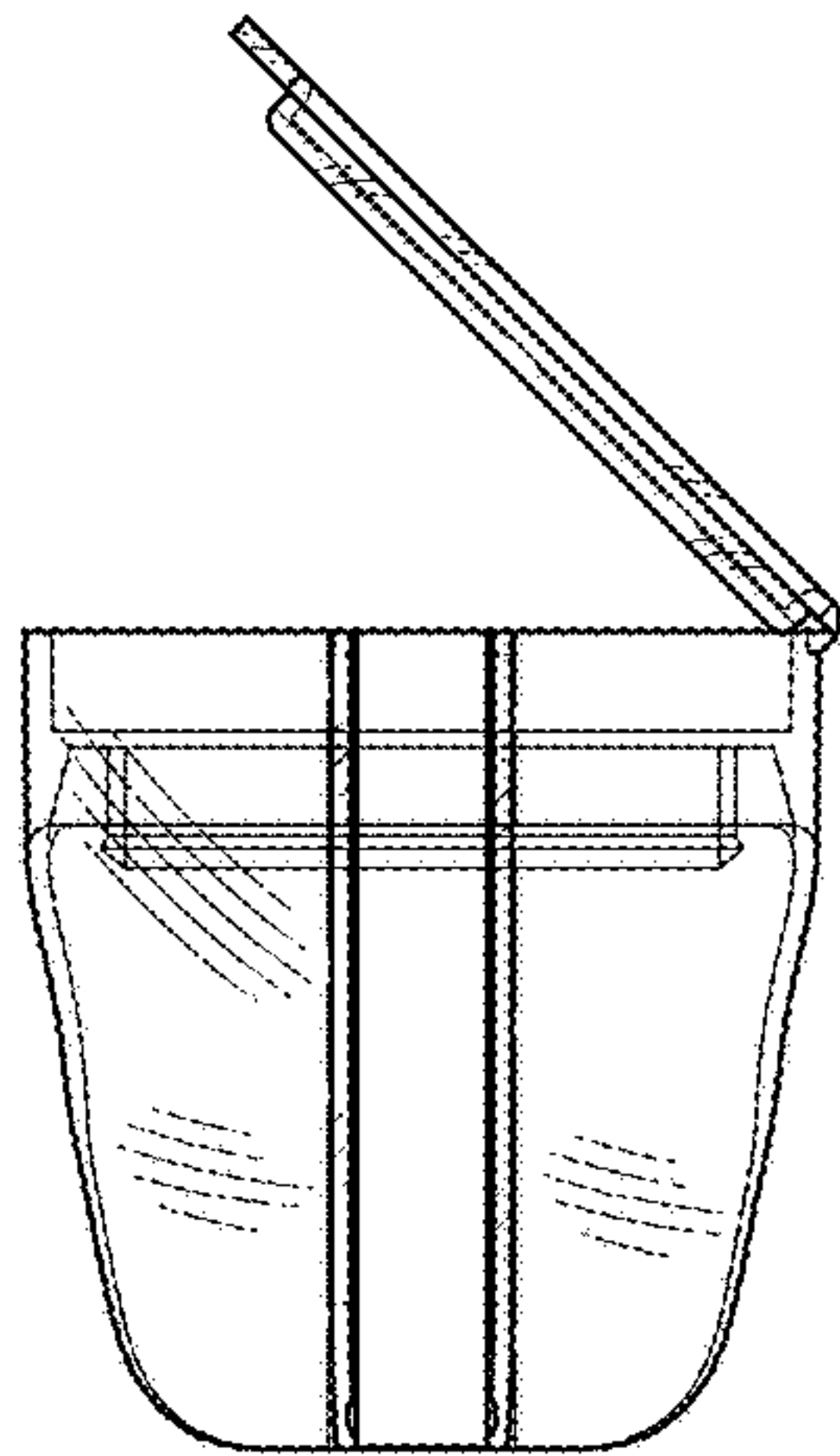


FIG. 11

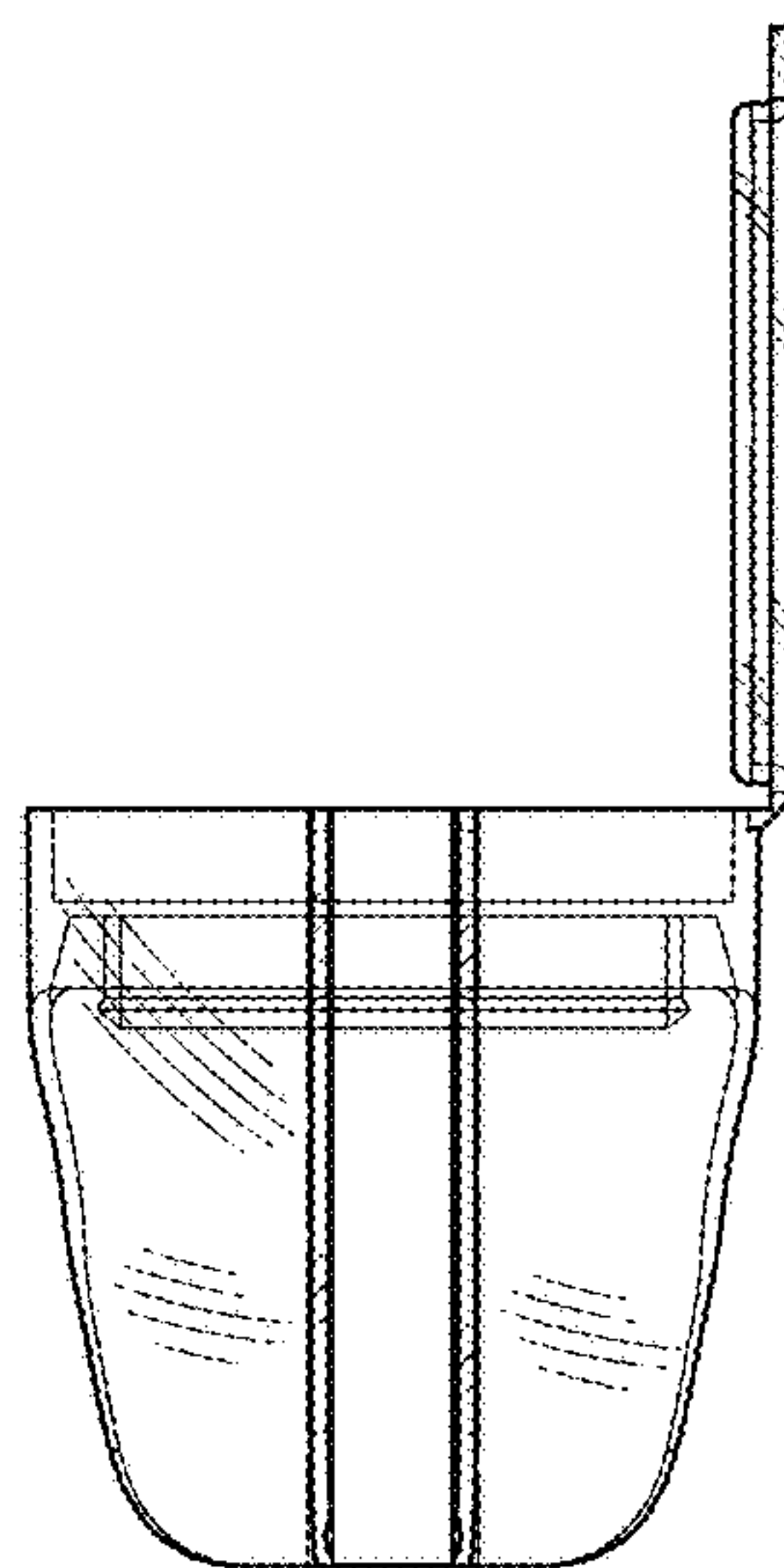


FIG. 12

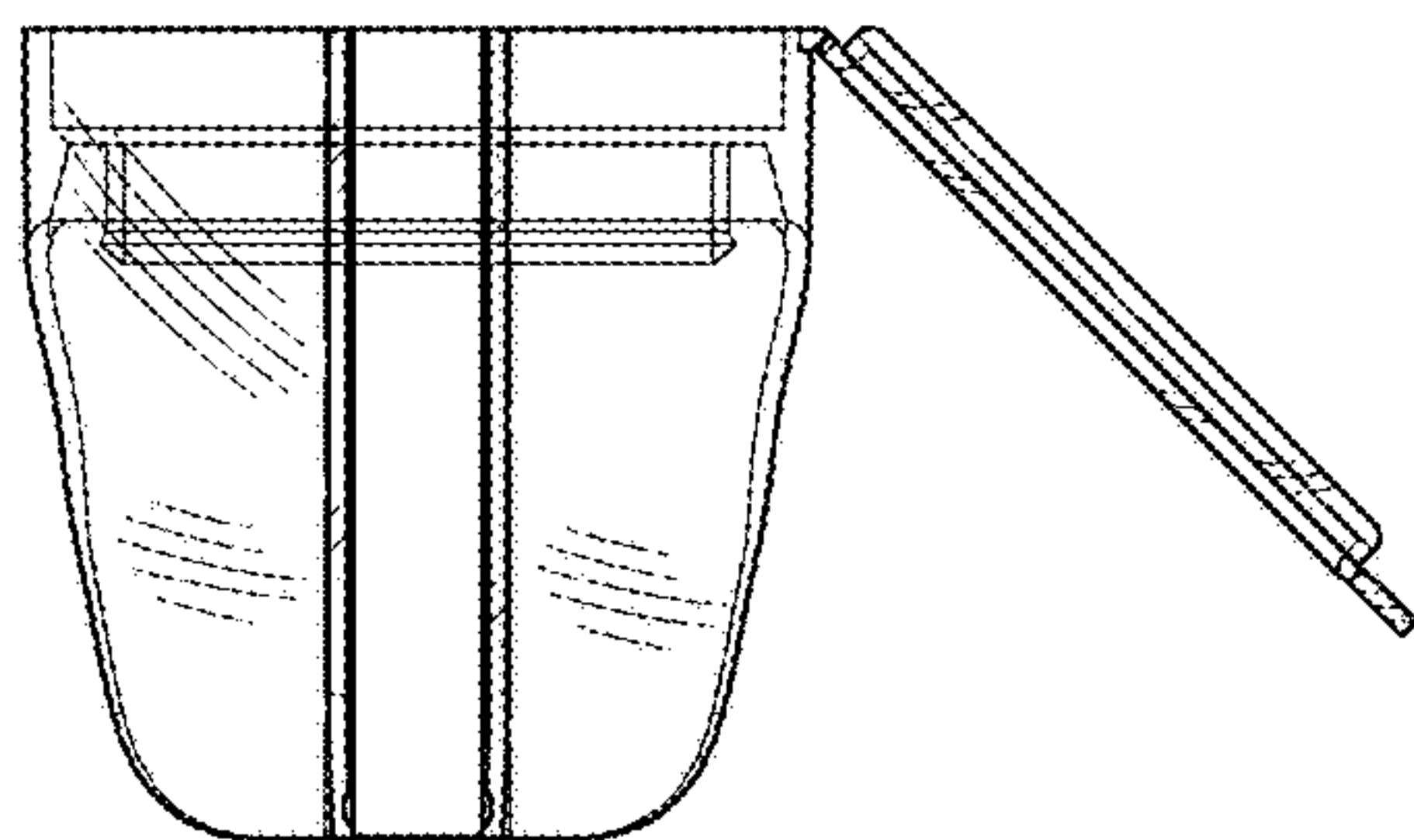


FIG. 13

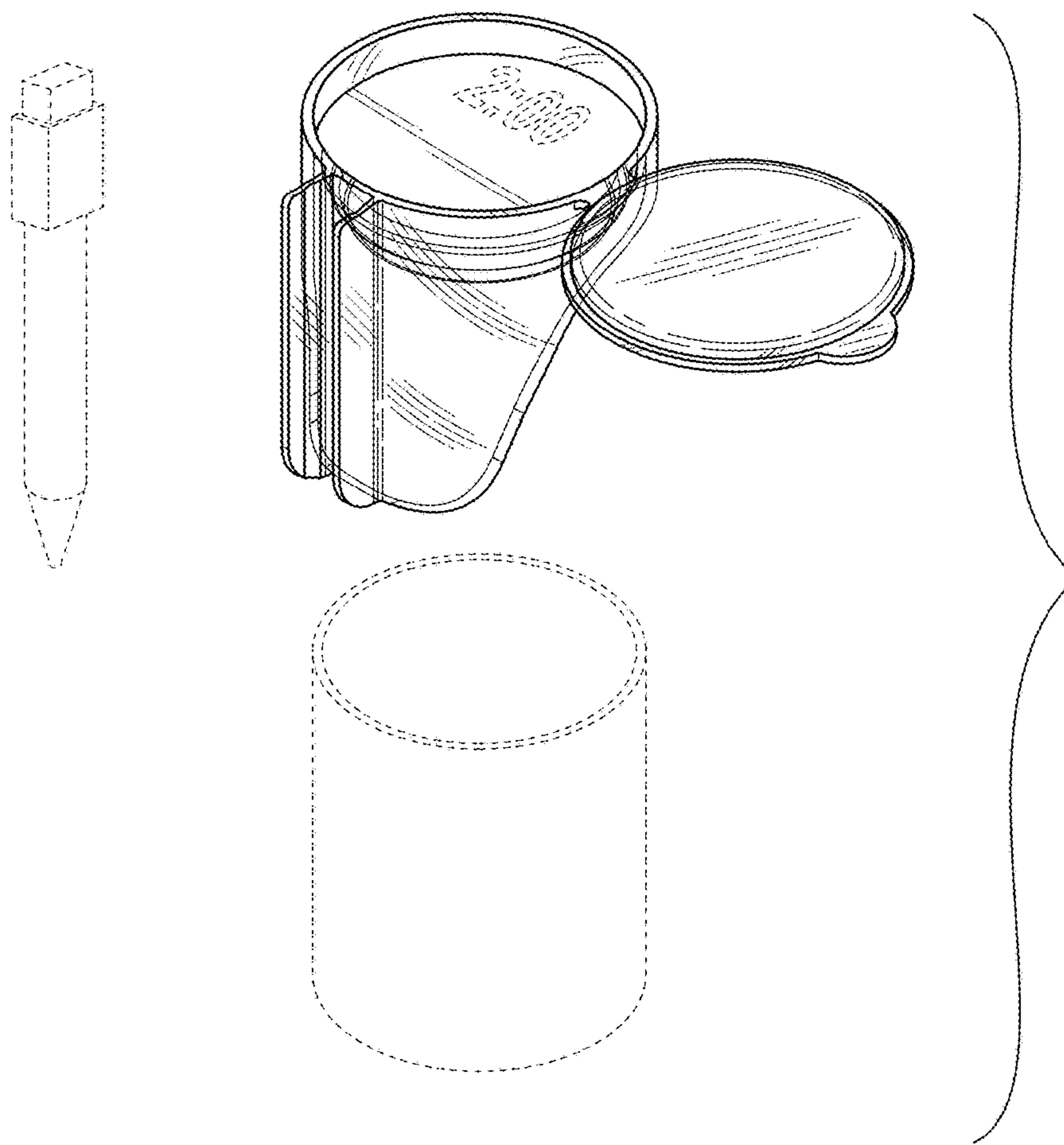


FIG. 14