



US00D862225S

(12) **United States Design Patent**  
**Horn**

(10) **Patent No.:** **US D862,225 S**

(45) **Date of Patent:** **\*\* Oct. 8, 2019**

(54) **CAP FOR A MEDICINE CONTAINER**

(71) Applicant: **Kimberlee Ann Horn**, Crawfordsville, IN (US)

(72) Inventor: **Kimberlee Ann Horn**, Crawfordsville, IN (US)

(\*\*) Term: **15 Years**

(21) Appl. No.: **29/608,209**

(22) Filed: **Jun. 20, 2017**

**Related U.S. Application Data**

(60) Continuation of application No. 14/881,554, filed on Oct. 13, 2015, now abandoned, which is a division of  
(Continued)

(51) **LOC (12) Cl.** ..... **09-07**

(52) **U.S. Cl.**  
USPC ..... **D9/436**; D9/443; D9/449

(58) **Field of Classification Search**  
USPC ..... D3/202, 203.1, 203.2, 203.3, 203.4, 207, D3/208, 240, 276, 318; D7/387, 392,  
(Continued)

(56) **References Cited**

**U.S. PATENT DOCUMENTS**

765,436 A 7/1904 Pike  
1,330,470 A 2/1920 Jutila  
(Continued)

**OTHER PUBLICATIONS**

Amazon. Pill Timer. Sep. 25, 2011 [earliest online date], [site visited Apr. 24, 2018]. Available from Internet, <URL:https://www.amazon.com/Automatically-indicator-Auto-Repeating-pill-included/dp/B004W8EQC4>. (Year: 2011).\*

*Primary Examiner* — George D. Kirschbaum

*Assistant Examiner* — Darcey E Gottschalk

(74) *Attorney, Agent, or Firm* — AP Patents

(57) **CLAIM**

The ornamental design for a cap for a medicine container, as shown and described.

**DESCRIPTION**

FIG. 1 illustrates one perspective environmental view of a cap for a medicine container constructed in accordance with one embodiment;

FIG. 2 illustrates another perspective environmental view of the cap of FIG. 1;

FIG. 3 illustrates a perspective environmental view of the cap of FIG. 1 in a combination with a medicine container and writing implement, shown in broken lines;

FIG. 4 illustrates a perspective environmental view of the cap of FIG. 2 in a combination with a medicine container and writing implement, shown in broken lines;

FIG. 5 illustrates a front elevation view of the cap in FIG. 1;

FIG. 6 illustrates a rear elevation view of the cap in FIG. 1;

FIG. 7 illustrates a left side elevation view of the cap in FIG. 1;

FIG. 8 illustrates a right side elevation view of the cap in FIG. 1;

FIG. 9 illustrates a right side elevation view of the cap in FIG. 2;

FIG. 10 illustrates a top view of the cap in FIG. 1;

FIG. 11 illustrates a bottom view of the cap in FIG. 1;

FIG. 12 illustrates one perspective environmental view of a cap for a medicine container constructed in accordance with another embodiment;

FIG. 13 illustrates another perspective environmental view of the cap of FIG. 12;

FIG. 14 illustrates a front elevation view of the cap in FIG. 12;

FIG. 15 illustrates a rear elevation view of the cap in FIG. 12;

FIG. 16 illustrates a left side elevation view of the cap in FIG. 12;

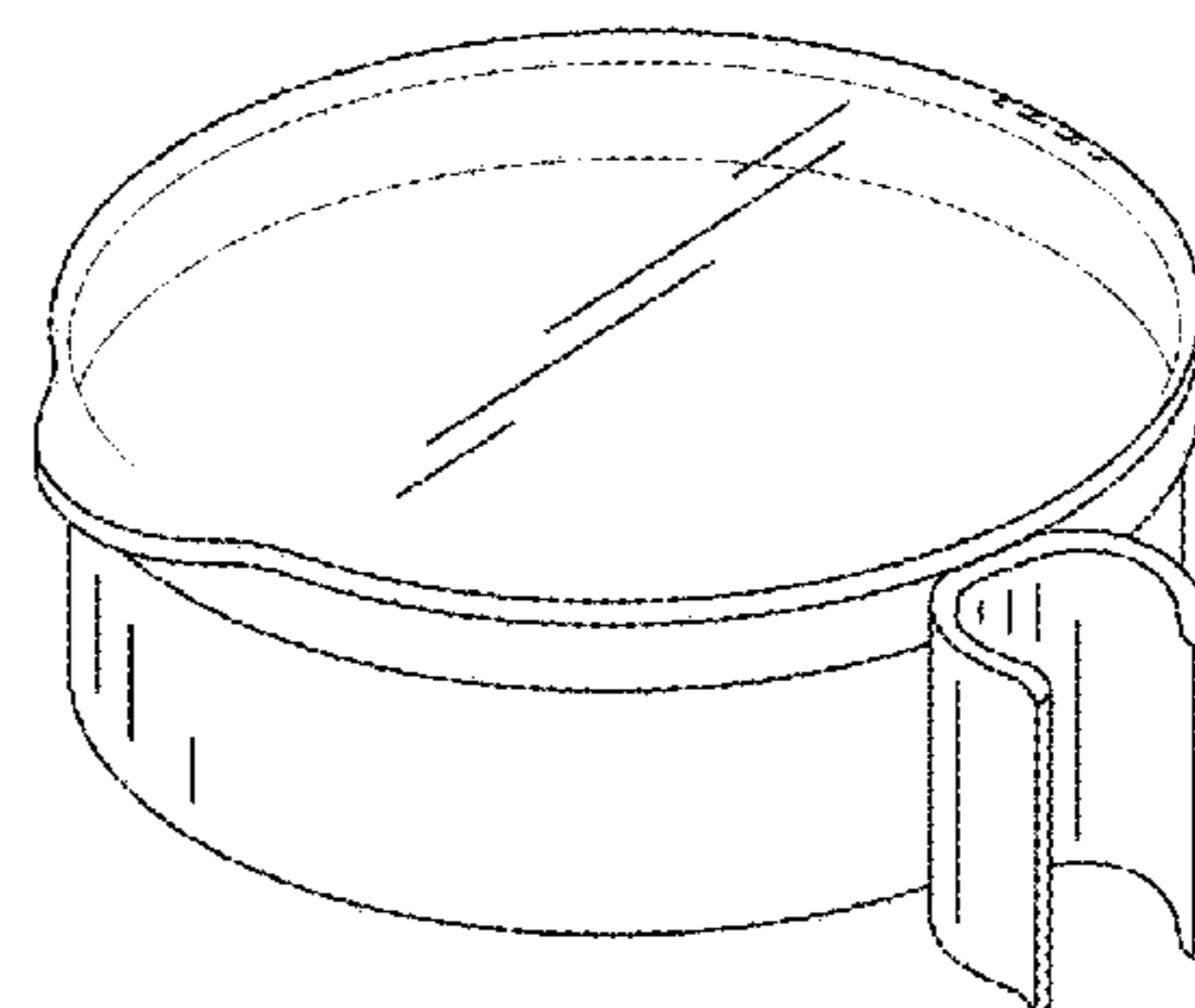
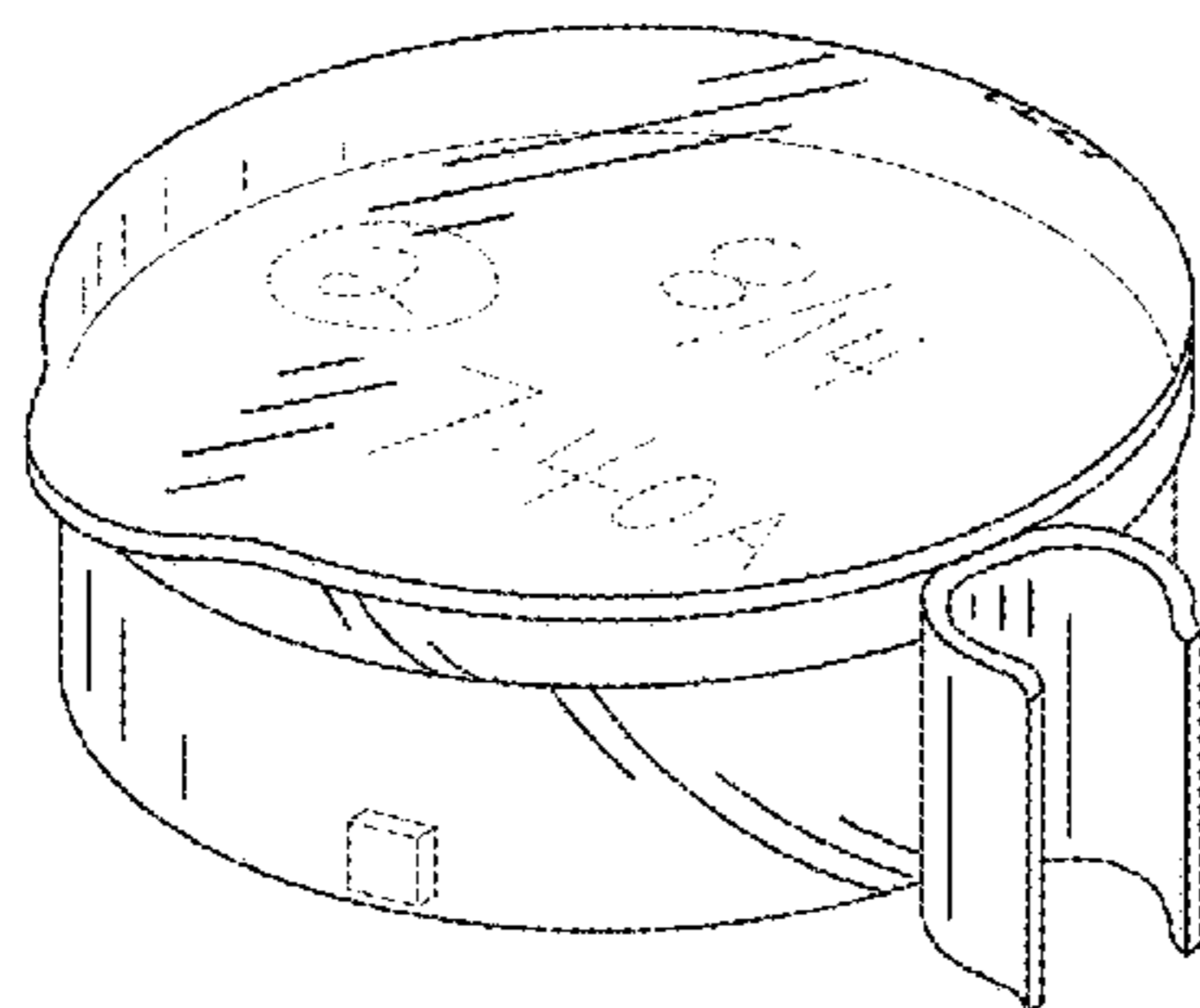
FIG. 17 illustrates a right side elevation view of the cap in FIG. 12;

FIG. 18 illustrates a right side elevation view of the cap in FIG. 13;

FIG. 19 illustrates a top view of the cap in FIG. 12; and,

FIG. 20 illustrates a bottom view of the cap in FIG. 12.

(Continued)



In the drawings, the broken lines show portions of a cap and a medicine container combined with a writing implement in FIGS. 1 and 2 that form no part of the claim.

**1 Claim, 7 Drawing Sheets**

**Related U.S. Application Data**

application No. 14/120,427, filed on Oct. 23, 2013, now Pat. No. 9,241,870.

(58) **Field of Classification Search**

USPC ..... D7/392.1, 396.1, 396.2, 397, 398, 601, D7/602, 708.1, 619.1, 620, 622, 632, 633; D8/18; D9/434-438, 440, 443-449, D9/453-457, 499, 516, 522, 537, 549, D9/562, 715, 718, 719, 722, 738, 739, D9/746; D11/4; D20/22, 27; D23/259; D30/152

CPC .. A61J 7/04; A61J 7/02; B65D 23/008; B65D 23/12; B65D 51/18

See application file for complete search history.

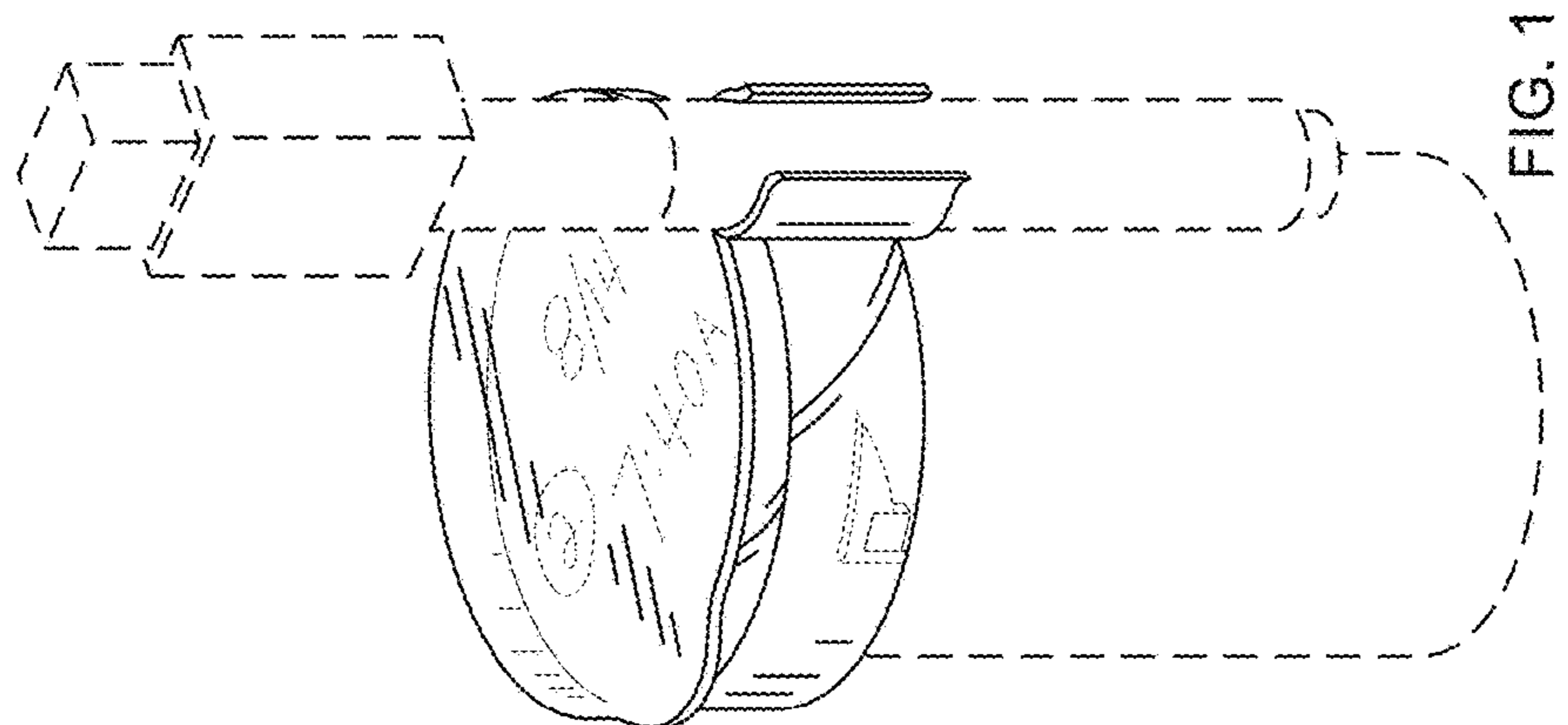
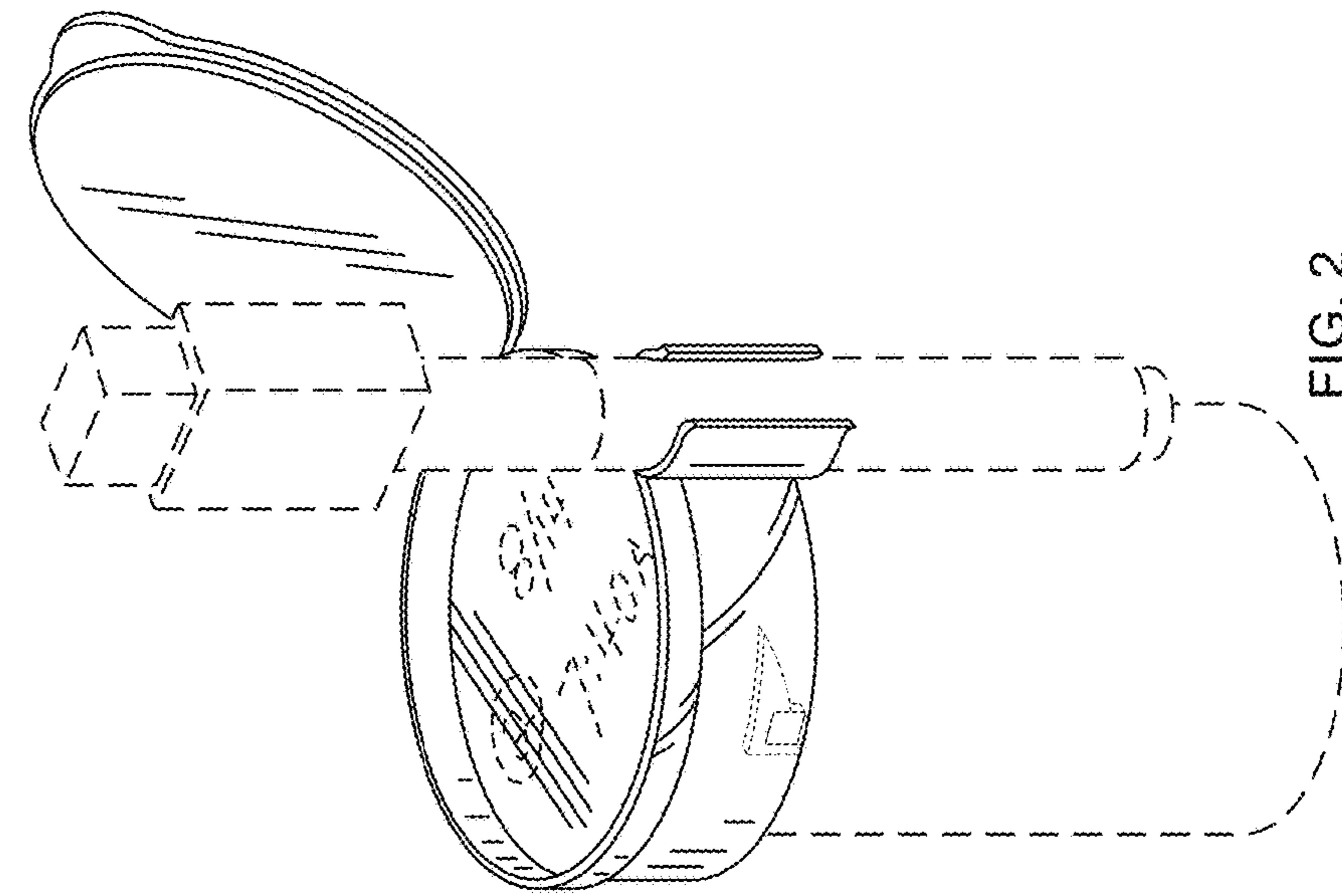
(56) **References Cited**

U.S. PATENT DOCUMENTS

1,476,629	A	4/1923	McOlvin	
1,466,057	A	8/1923	Mathews	
1,795,555	A	3/1931	Greenwood	
1,878,541	A	9/1932	Reinhold	
D136,692	S *	11/1943	Glueck .....	D9/738
2,892,595	A	6/1959	Tupper	
3,092,244	A	6/1963	McWhirter	
4,022,060	A	5/1977	Rebhan	
4,111,322	A	9/1978	Obrist et al.	
4,151,937	A	5/1979	Jarosh et al.	
D260,369	S *	8/1981	Massey .....	D9/436
4,405,045	A	9/1983	Villa-Real	
4,805,814	A	2/1989	Allen, Sr.	
4,913,083	A	4/1990	Valvo et al.	
5,011,032	A	4/1991	Rollman	
5,105,949	A	4/1992	Blair	
5,261,702	A	11/1993	Mayfield	

5,467,871	A	11/1995	DeField	
5,743,414	A	4/1998	Baudino	
5,820,095	A	10/1998	Stone	
5,947,329	A	9/1999	Bailey	
6,036,017	A	3/2000	Bayliss, IV	
6,386,367	B1	5/2002	Bayliss, IV	
6,565,054	B2	5/2003	Weesner et al.	
D478,512	S *	8/2003	Duston .....	D9/522
D479,129	S *	9/2003	Waugh .....	D9/434
6,620,500	B2	9/2003	Sweet et al.	
D501,795	S *	2/2005	Walsh .....	D9/522
D508,200	S *	8/2005	Cagle .....	D9/434
D588,912	S *	3/2009	Christensen .....	D9/434
7,554,434	B1	6/2009	Gifford et al.	
D613,495	S *	4/2010	Foreman .....	D3/203.2
D625,911	S *	10/2010	Lee .....	D3/203.2
8,033,409	B2	10/2011	Lindemann	
8,322,548	B2	12/2012	Pedersen	
D675,097	S	1/2013	Burke, Jr.	
8,456,287	B2	6/2013	Gifford et al.	
D689,688	S	9/2013	Horn	
D733,418	S *	7/2015	Horn .....	D3/203.2
9,241,870	B2	1/2016	Horn	
9,290,302	B2	3/2016	Horn	
D775,906	S *	1/2017	Edwards .....	D7/708.1
9,603,777	B2	3/2017	Horn	
D790,965	S *	7/2017	Horn .....	D9/436
D802,416	S *	11/2017	Horn .....	D9/436
D813,033	S *	3/2018	Horn .....	D9/436
2003/0192786	A1	10/2003	Chao	
2005/0029155	A1	2/2005	Edwards	
2006/0124501	A1	6/2006	McNeely	
2006/0124578	A1	6/2006	Yousif et al.	
2007/0045219	A1	3/2007	Nasiatka	
2009/0314680	A1	12/2009	Gifford	
2010/0065201	A1	3/2010	Means	
2010/0072163	A1	3/2010	Krause	
2012/0138563	A1	6/2012	Brumfield	
2012/0170966	A1	7/2012	Novak	
2012/0223045	A1	9/2012	Burke, Jr.	
2012/0305177	A1	12/2012	Simmons et al.	
2014/0209489	A1	7/2014	Horn	
2014/0224236	A1	8/2014	McPherson	
2015/0047998	A1 *	2/2015	Horn .....	B65D 67/02 206/459.5
2015/0108027	A1 *	4/2015	Horn .....	A61J 7/04 206/459.1
2016/0120757	A1	5/2016	Horn	

\* cited by examiner





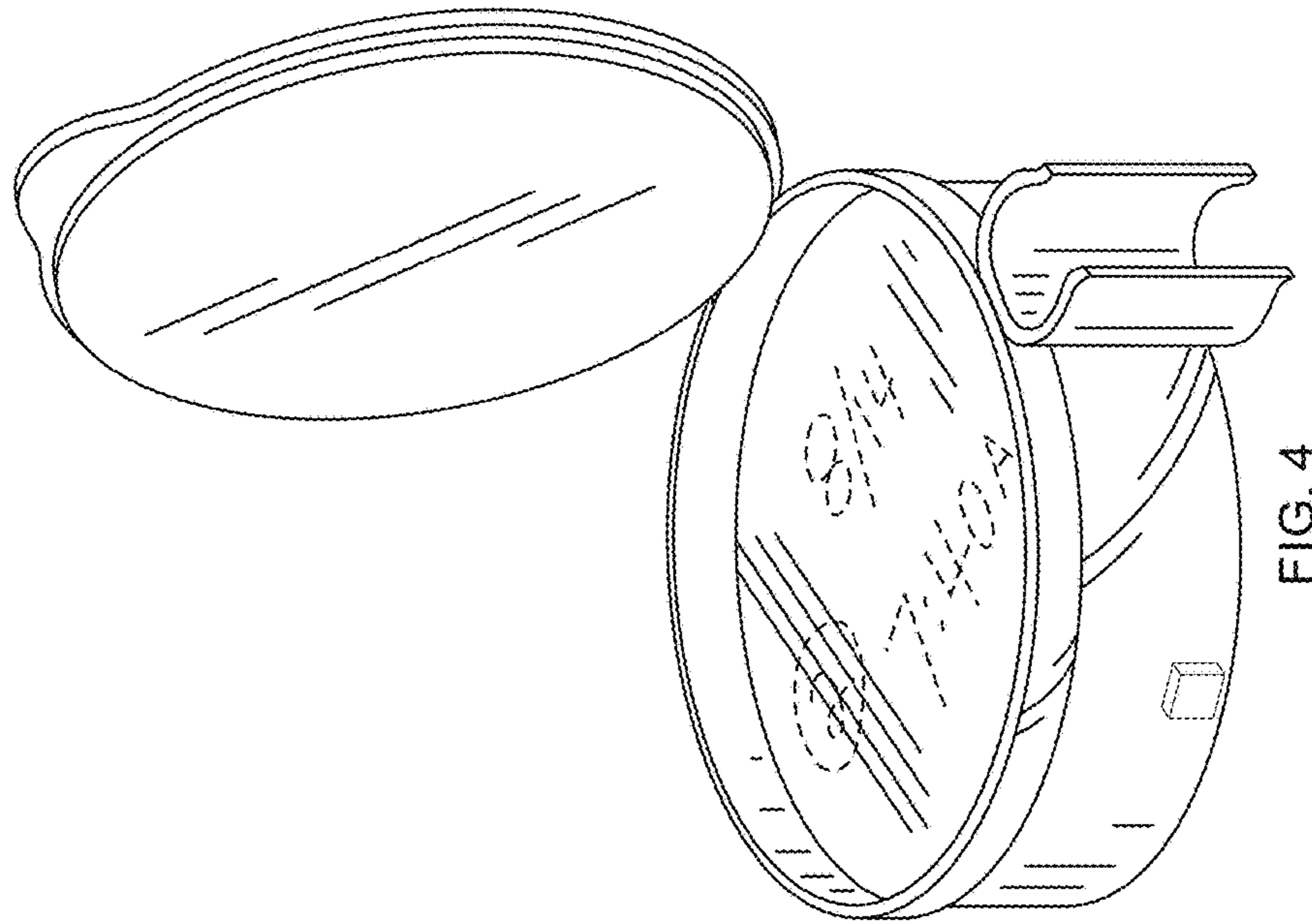


FIG. 4

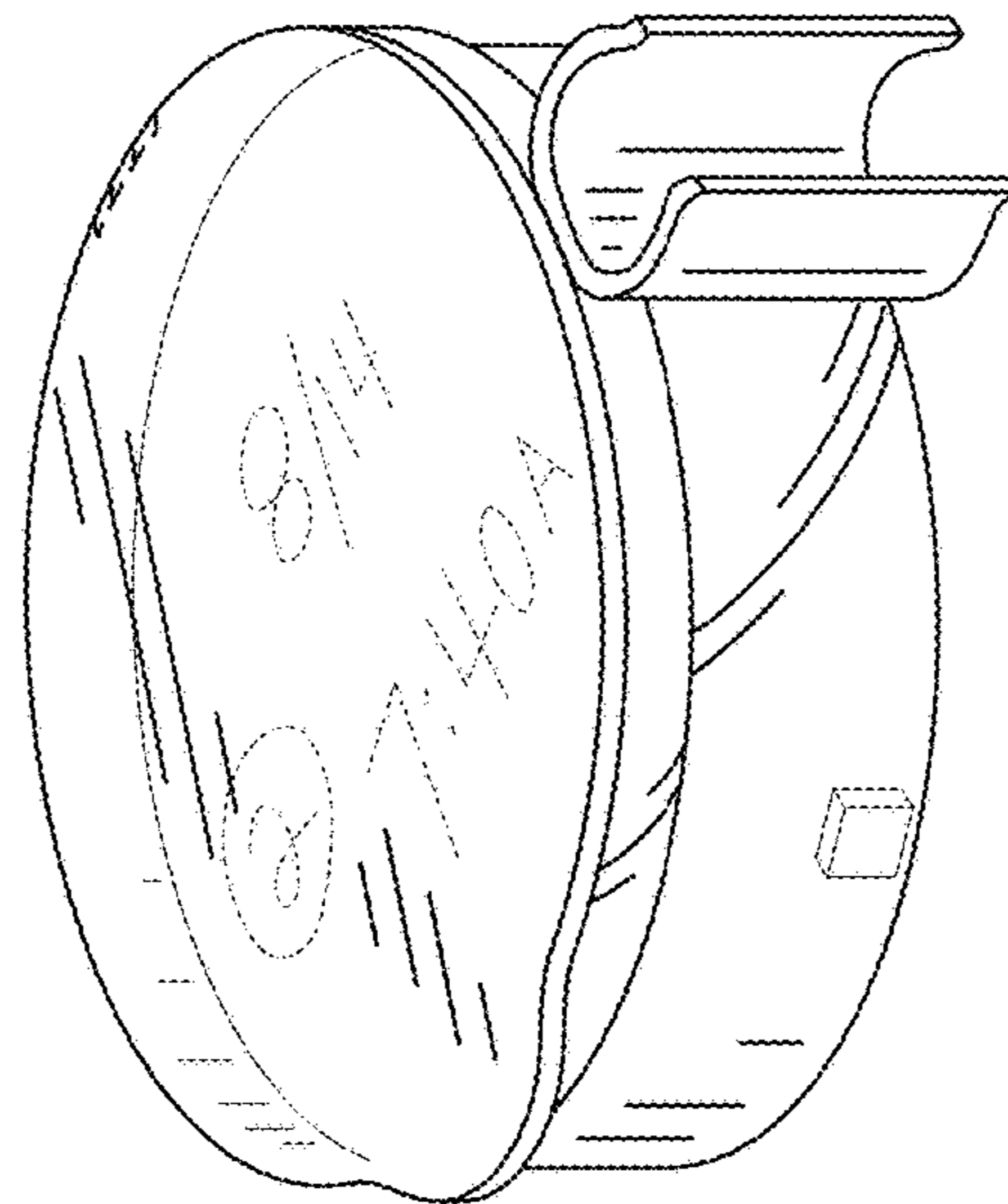


FIG. 3

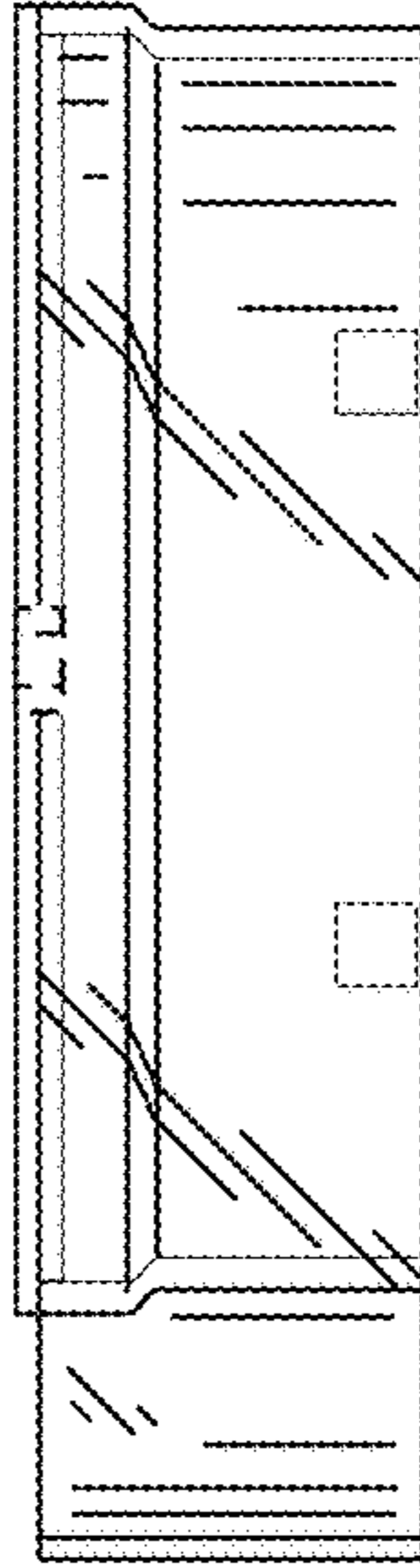


FIG. 6

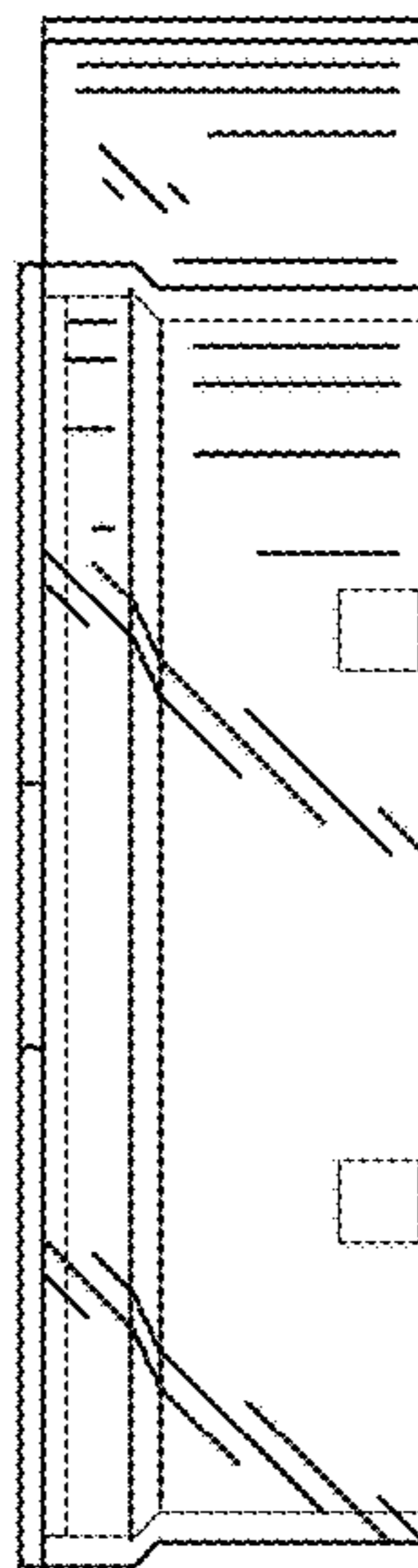


FIG. 5

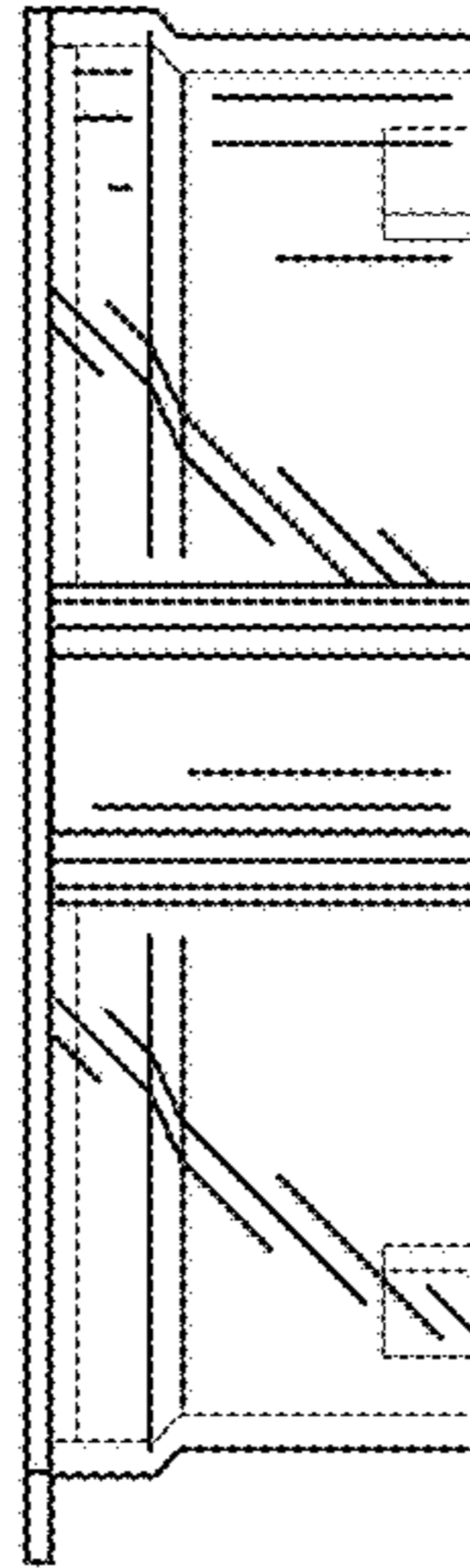


FIG. 8



FIG. 7

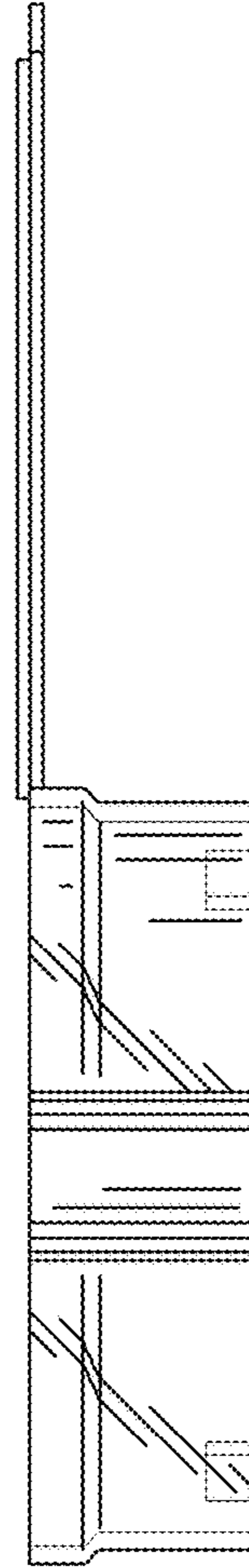


FIG. 9

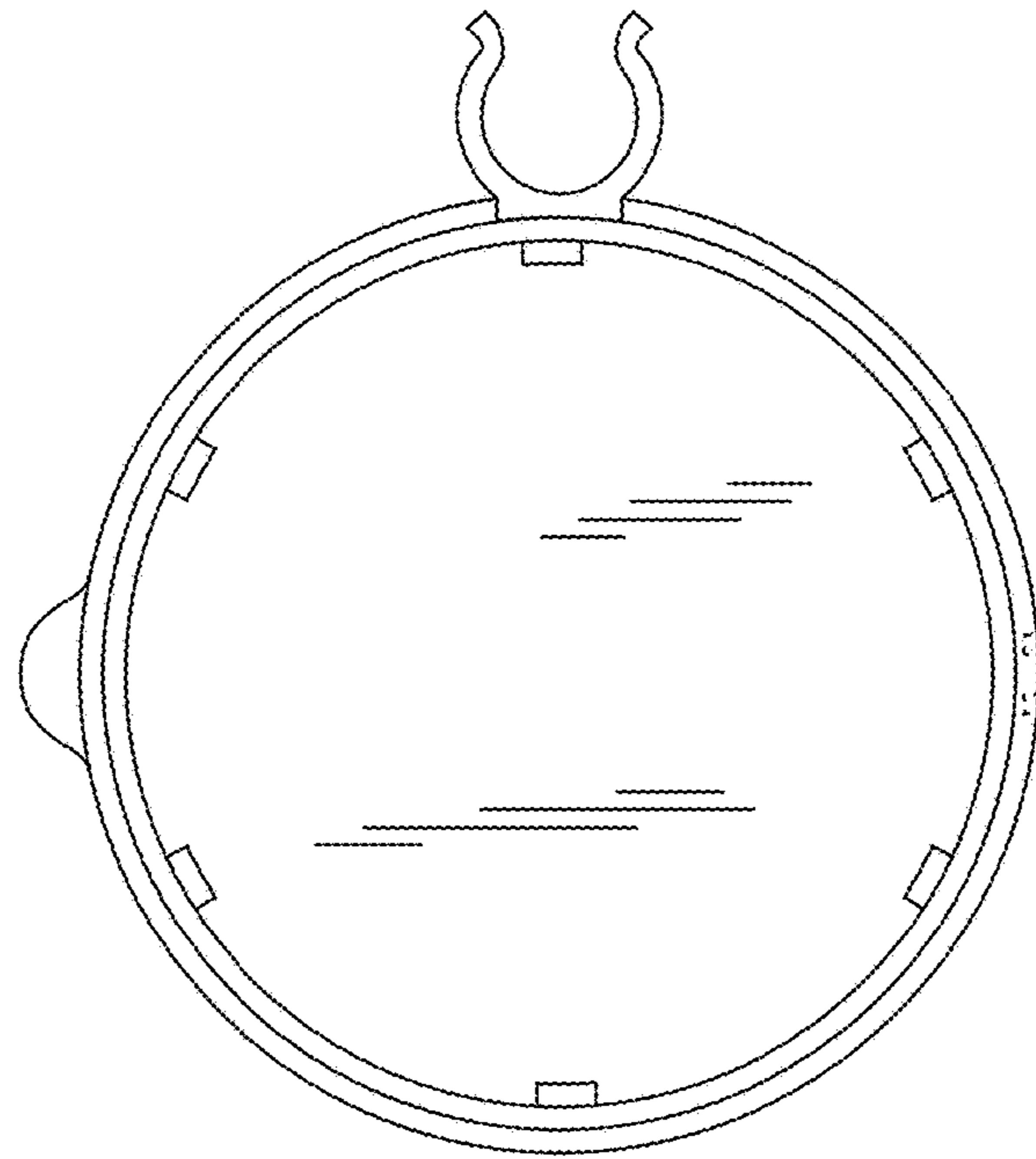


FIG. 11

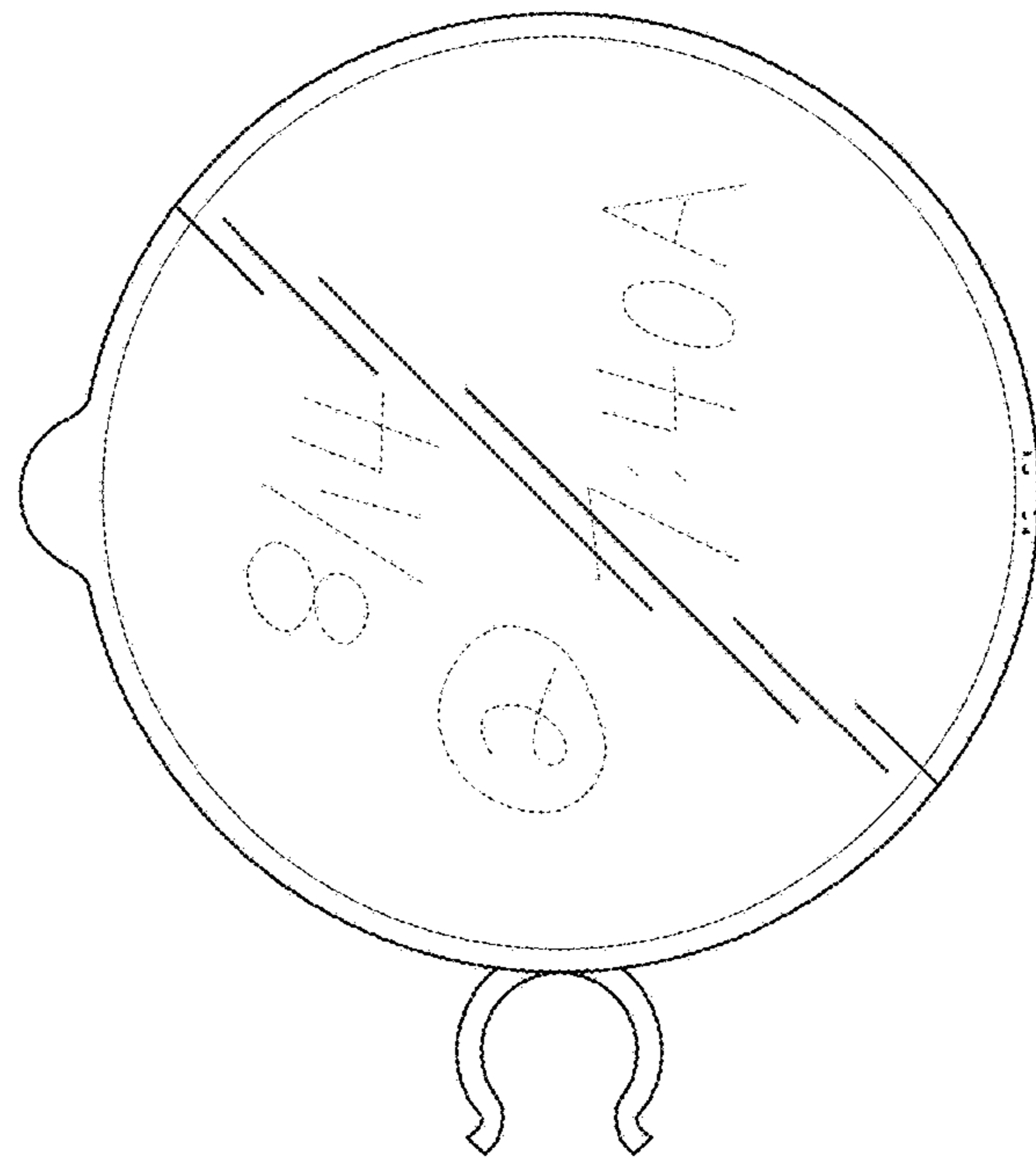


FIG. 10

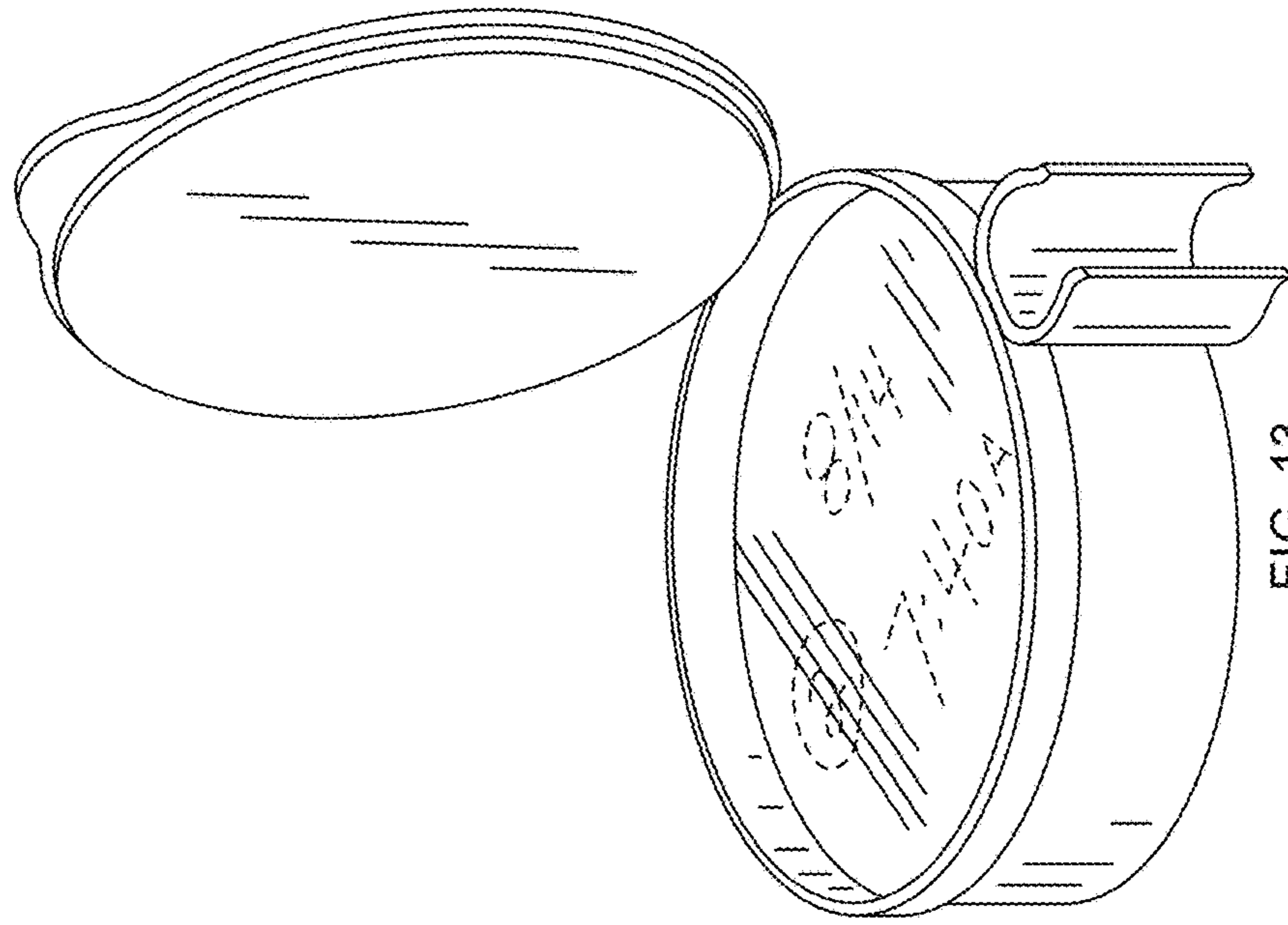


FIG. 13

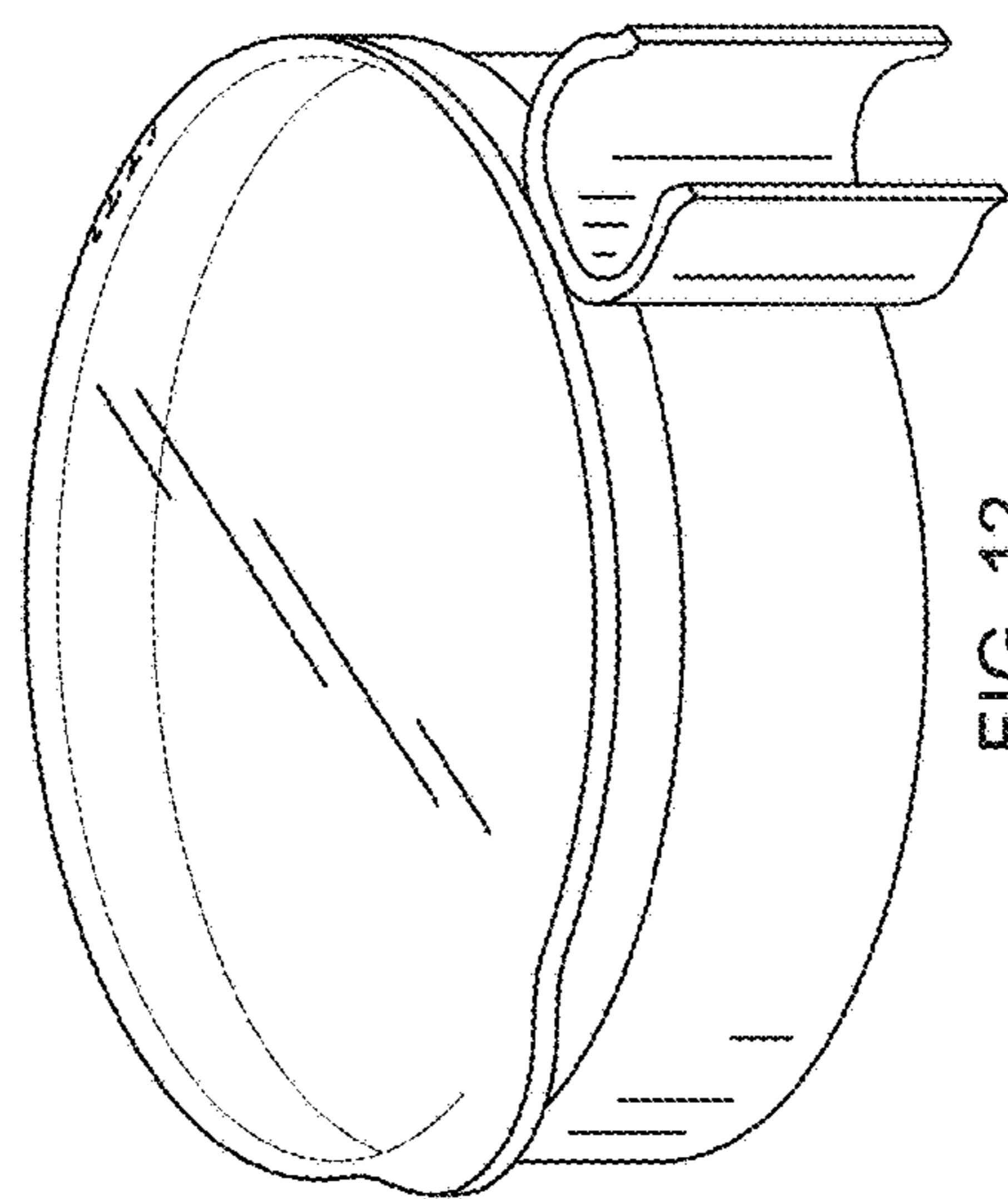


FIG. 12

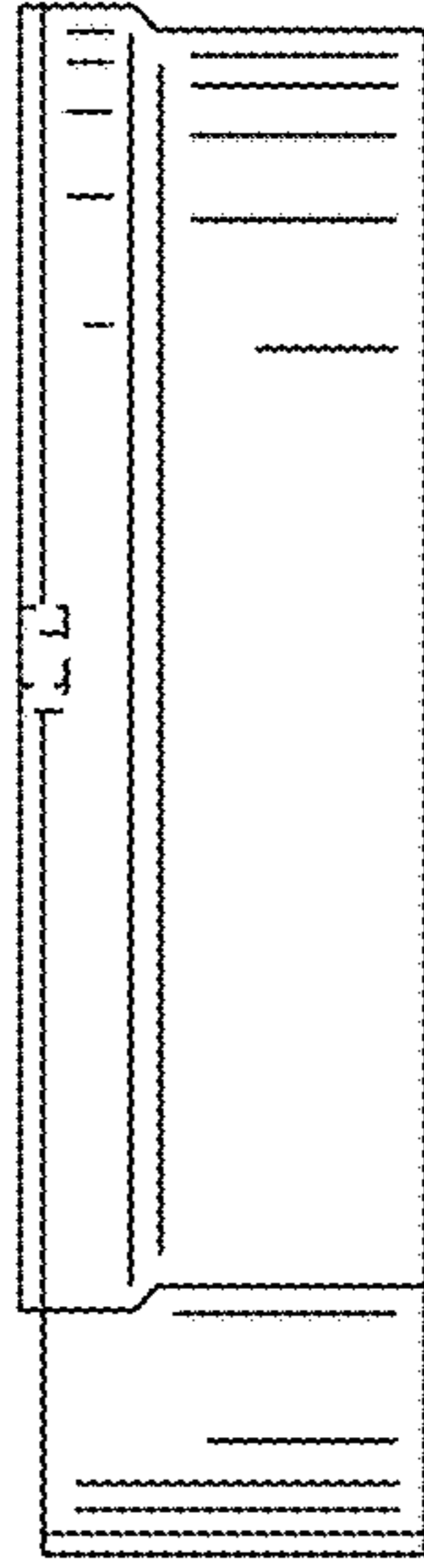


FIG. 15

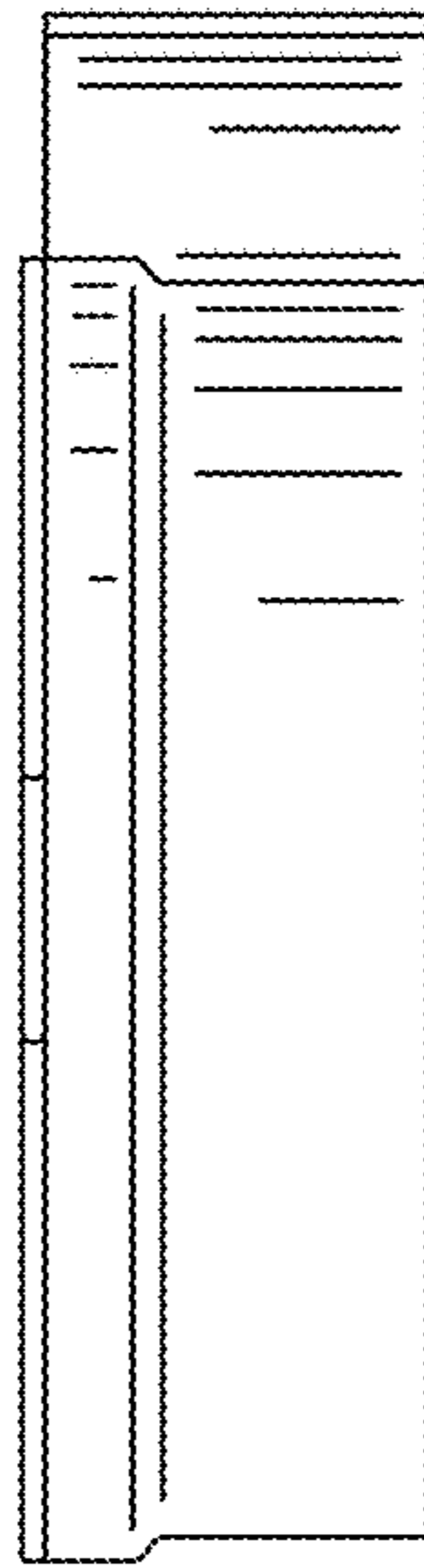


FIG. 14

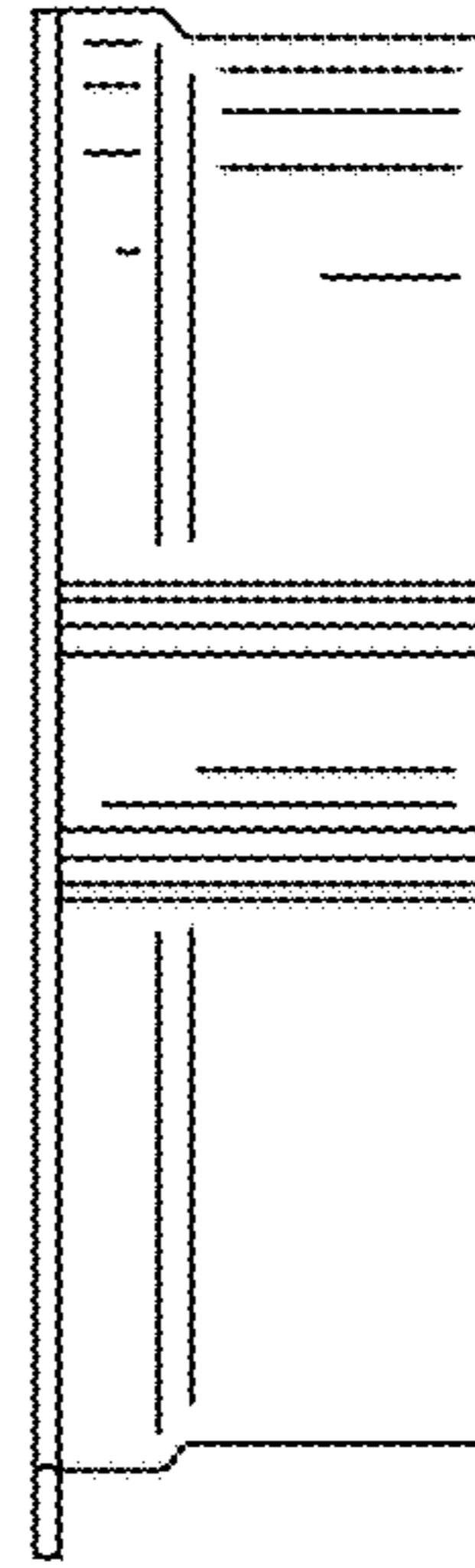


FIG. 17

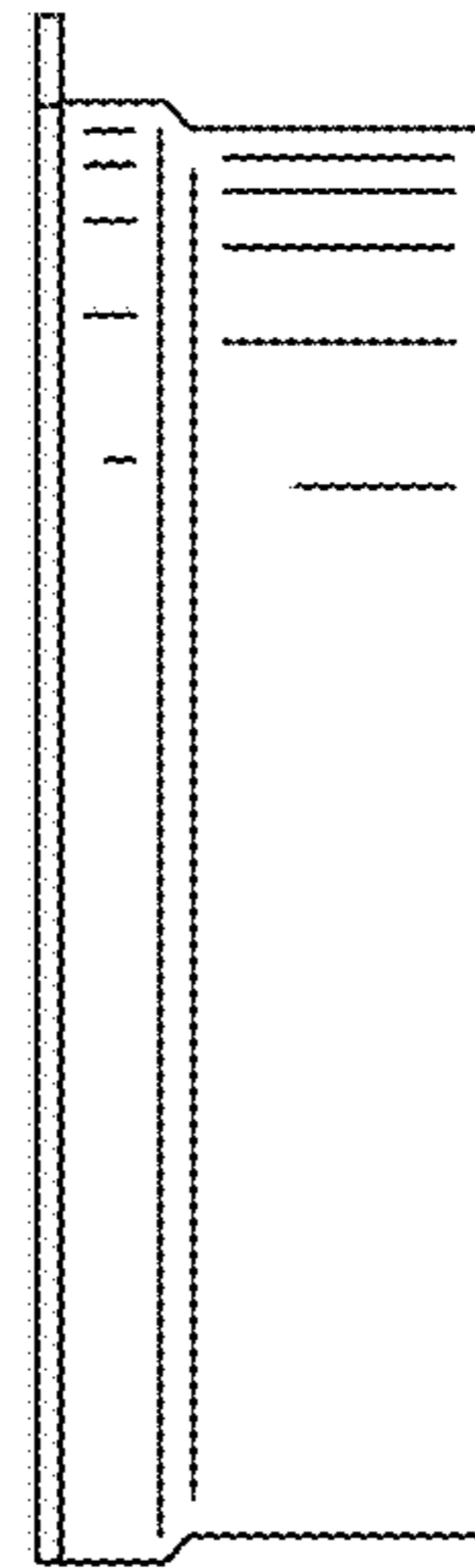


FIG. 16

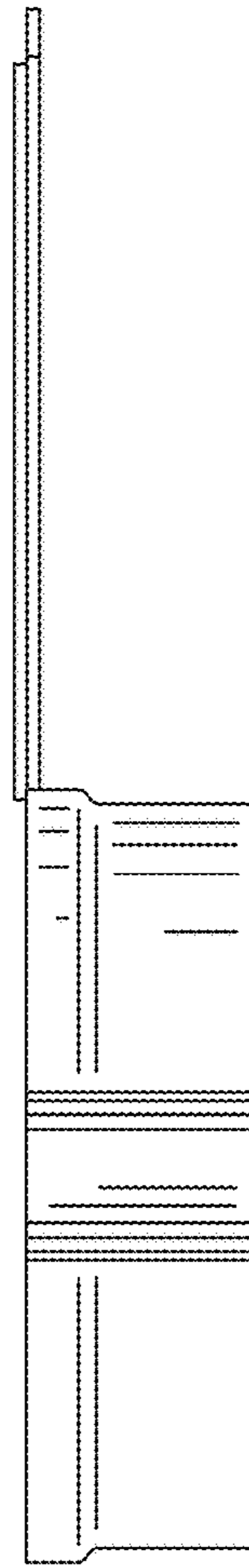


FIG. 18



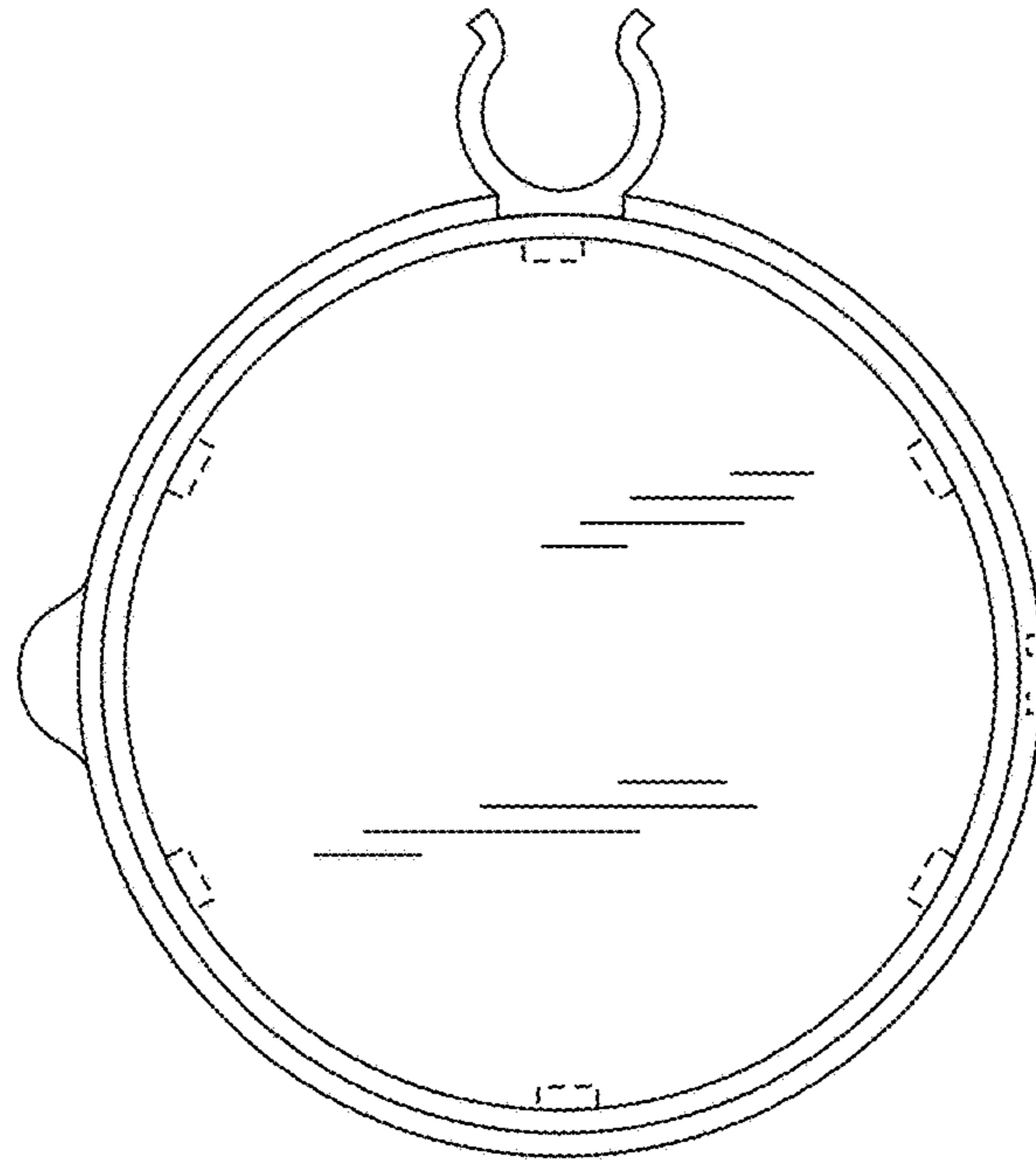


FIG. 20

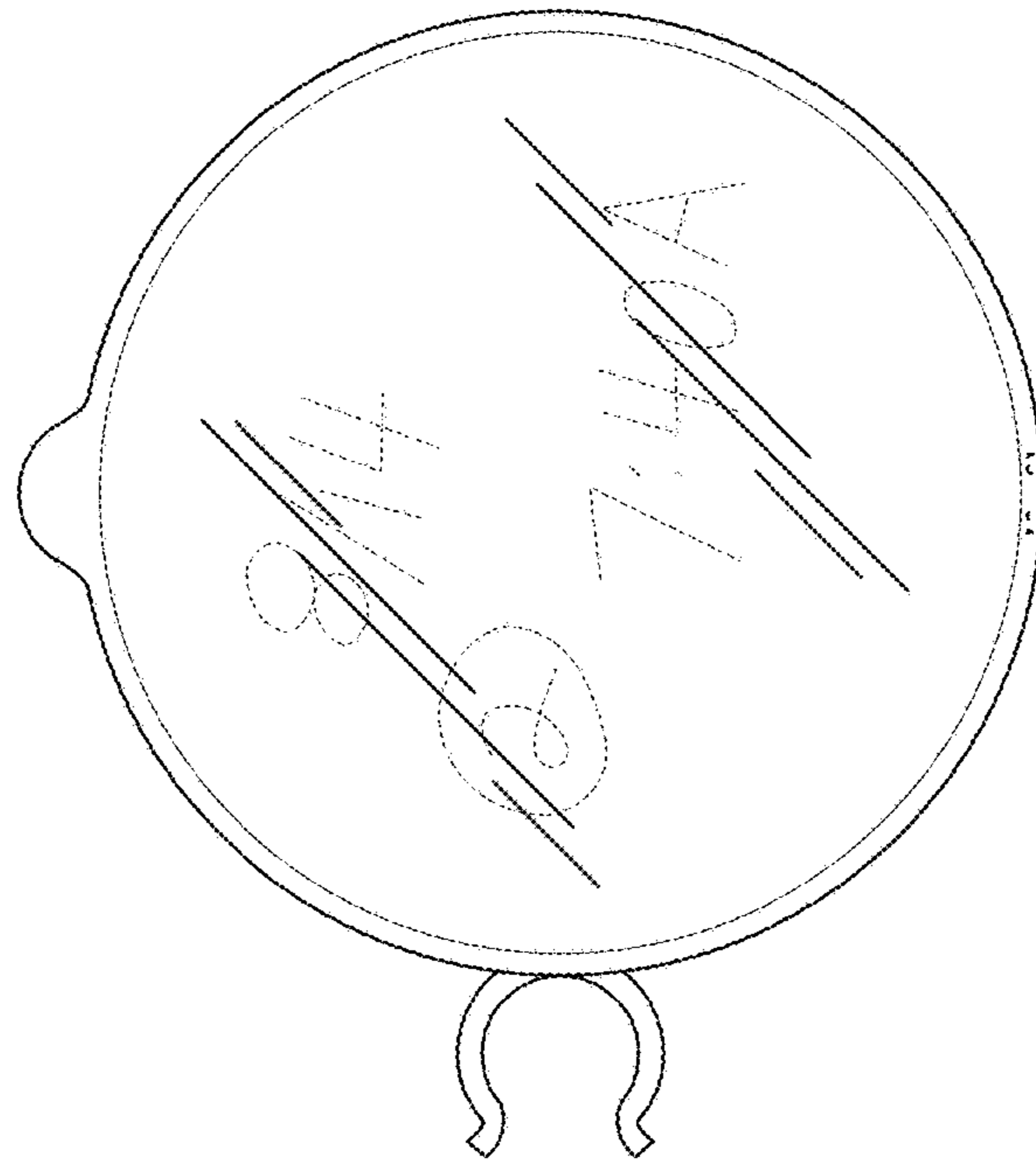


FIG. 19