

US00D862224S

(12) **United States Design Patent**  
**Meyers**

(10) **Patent No.:** **US D862,224 S**

(45) **Date of Patent:** **\*\* Oct. 8, 2019**

(54) **MOUTHPIECE**

D547,605 S 1/2001 Edelstein et al.

D437,223 S 2/2001 Coy et al.

D462,009 S 8/2002 Poisson et al.

(Continued)

(71) Applicant: **Runway Blue, LLC**, Alpine, UT (US)

(72) Inventor: **David O. Meyers**, East Layton, UT (US)

**OTHER PUBLICATIONS**

(73) Assignee: **Runway Blue, LLC**, Alpine, UT (US)

Amazon. Polar Bottle Thermaluxe Half-Twist Cap. No date specified.  
<https://www.amazon.com/Polar-Bottle-Thermaluxe-Half-Twist-Cap/dp/B07CQ4XDNS> (Year: 0).\*

(\*\*) Term: **15 Years**

(Continued)

(21) Appl. No.: **29/664,154**

(22) Filed: **Sep. 21, 2018**

*Primary Examiner* — George D. Kirschbaum

*Assistant Examiner* — Darcey E Gottschalk

(74) *Attorney, Agent, or Firm* — Sterne, Kessler, Goldstein & Fox P.L.L.C.

**Related U.S. Application Data**

(63) Continuation of application No. 29/580,624, filed on Oct. 11, 2016, now Pat. No. Des. 831,482.

(57) **CLAIM**

The ornamental design for a mouthpiece, as shown and described.

(51) **LOC (12) Cl.** ..... **09-07**

**DESCRIPTION**

(52) **U.S. Cl.**

USPC ..... **D9/435**

(58) **Field of Classification Search**

USPC ..... D7/392, 392.1, 396.2, 397, 398, 619.1, D7/620; D9/434-436, 454, 499, 516, D9/715-719, 440, 443, 446-448, 521; D23/260, 269, 390

CPC ..... B65D 1/0246; B65D 1/0223; B65D 2543/00046

See application file for complete search history.

FIG. 1 is a top perspective view of a mouthpiece, illustrating the mouthpiece attached to an exemplifying bottle;

FIG. 2 is a top front perspective view of the mouthpiece shown in FIG. 1;

FIG. 3 is a top rear perspective view of the mouthpiece shown in FIG. 1;

FIG. 4 is a front view of the mouthpiece shown in FIG. 1;

FIG. 5 is a rear view of the mouthpiece shown in FIG. 1;

FIG. 6 is a left side view of the mouthpiece shown in FIG. 1;

FIG. 7 is a right side view of the mouthpiece shown in FIG. 1;

FIG. 8 is a top view of the mouthpiece shown in FIG. 1; and, FIG. 9 is a bottom view of the mouthpiece shown in FIG. 1.

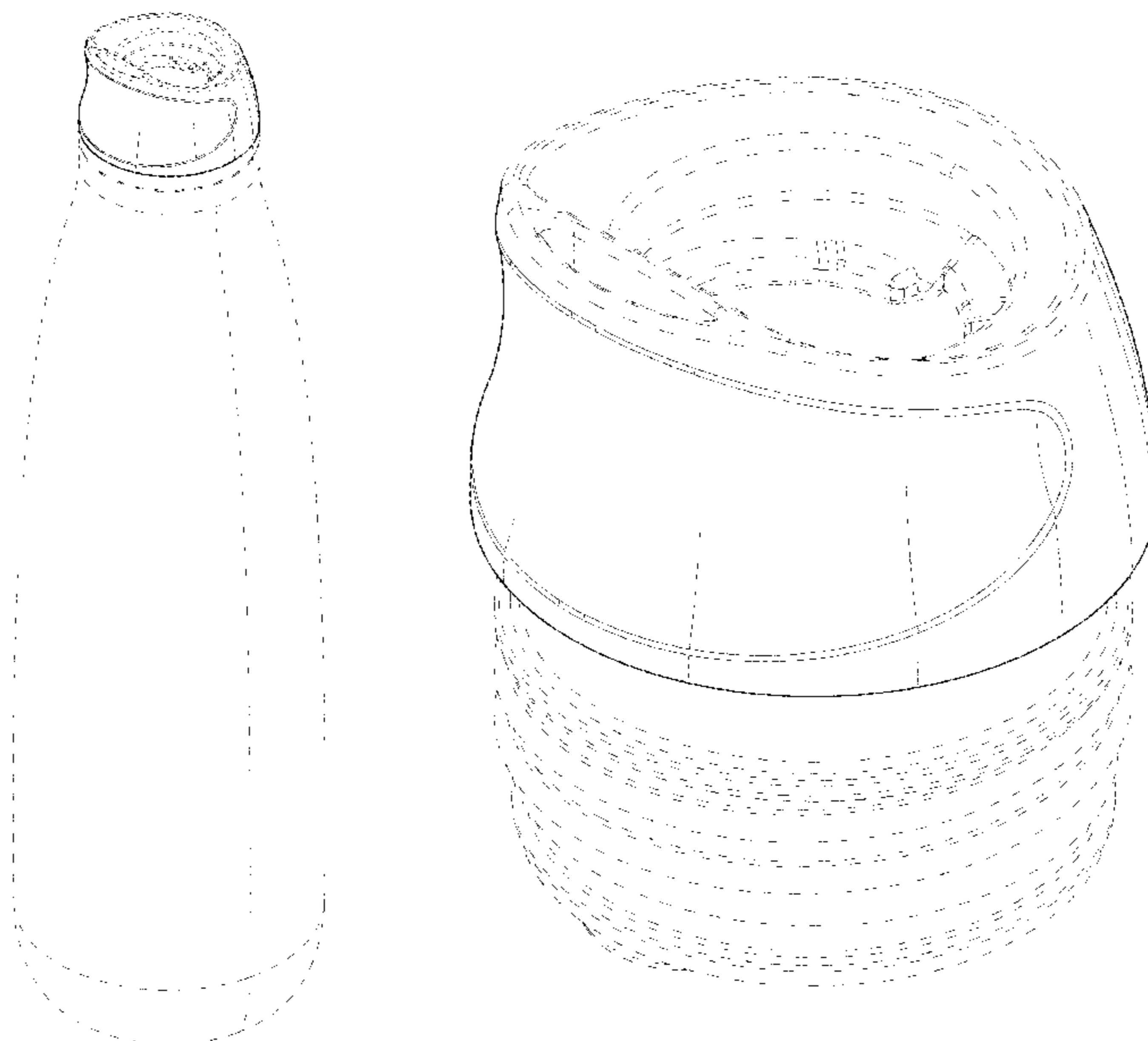
The broken lines are shown for the purpose of illustrating environmental structure and parts of the article that form no part of the claimed design.

(56) **References Cited**

**U.S. PATENT DOCUMENTS**

2,573,378 A 10/1951 Zurlinden  
3,770,160 A 11/1973 Flider  
4,948,009 A 8/1990 Sawatani  
5,318,203 A 6/1994 Iaia et al.  
D417,845 S \* 12/1999 Sadlier ..... D7/511

**1 Claim, 9 Drawing Sheets**



(56)

References Cited

U.S. PATENT DOCUMENTS

7,124,917 B2 10/2006 Lee  
D532,302 S \* 11/2006 Moretti ..... D9/448  
D547,607 S 7/2007 Forsman  
D562,065 S 2/2008 Smaldone  
D586,184 S 2/2009 Miller et al.  
D591,595 S 5/2009 Tedford, Jr.  
D601,017 S \* 9/2009 Hungerford ..... D9/434  
D626,837 S 11/2010 Meyers et al.  
D626,838 S 11/2010 Meyers et al.  
D649,878 S 12/2011 Weiss  
D649,879 S 12/2011 Gullickson et al.  
D652,256 S 1/2012 Eyal  
8,146,770 B2 4/2012 Newman  
D660,696 S 5/2012 Weiss  
D666,490 S 9/2012 Leon  
D677,121 S 3/2013 Meyers et al.  
D679,541 S 4/2013 Samartgis  
D682,034 S 5/2013 El-Saden et al.  
D696,551 S 12/2013 Meyers et al.  
D696,941 S 1/2014 Kim  
D696,942 S 1/2014 Kim  
D696,943 S 1/2014 Kim  
D704,053 S 5/2014 Kim  
D705,058 S 5/2014 Kim  
D707,124 S 6/2014 Blain et al.  
8,770,435 B2 \* 7/2014 Weiss ..... B65D 43/06  
220/780  
D716,141 S 10/2014 Rush  
D716,657 S 11/2014 Caneer  
D719,780 S 12/2014 Sullivan  
D721,275 S \* 1/2015 Thijssen ..... D9/448  
D721,276 S 1/2015 Herbst  
D723,328 S 3/2015 Steel  
D723,332 S 3/2015 Steel  
D727,093 S 4/2015 Lapsker  
D729,569 S 5/2015 Herbst et al.  
D730,694 S 6/2015 Elsaden et al.  
D734,152 S 7/2015 Hager et al.  
D737,139 S 8/2015 Sokoly  
D739,183 S 9/2015 Lane  
D740,605 S 10/2015 Wodka et al.  
D741,637 S 10/2015 Palermo et al.  
D742,230 S 11/2015 Charles  
D745,827 S 12/2015 Sorensen et al.  
D747,136 S 1/2016 Lane et al.  
D754,000 S \* 4/2016 Wang ..... D9/434  
D754,535 S 4/2016 Kim

D754,540 S \* 4/2016 Wang ..... D9/434  
D761,649 S \* 7/2016 Buck ..... D9/447  
9,392,893 B2 7/2016 Sorensen et al.  
D768,491 S 10/2016 Sorensen et al.  
D781,703 S 3/2017 Strachan  
D793,154 S 8/2017 Sorensen et al.  
9,790,007 B2 10/2017 Sorensen et al.  
9,944,435 B2 \* 4/2018 Mithal ..... B65D 43/0212  
D822,484 S \* 7/2018 D'Amato ..... D9/447  
D831,482 S \* 10/2018 Meyers ..... D9/447  
10,172,488 B2 \* 1/2019 Sorensen ..... A47G 19/2266  
2002/0179604 A1 12/2002 Germain et al.  
2003/0052126 A1 3/2003 Zettle et al.  
2006/0226110 A1 10/2006 Choi et al.  
2008/0099514 A1 5/2008 Carter et al.  
2008/0257899 A1 10/2008 Whitaker et al.  
2010/0224631 A1 9/2010 Roth et al.  
2011/0017760 A1 1/2011 Newman  
2011/0139800 A1 6/2011 Urban  
2011/0253733 A1 10/2011 Meyers et al.  
2012/0055818 A1 3/2012 Zimmern  
2013/0062304 A1 3/2013 Meyers et al.  
2014/0299614 A1 10/2014 Mithal  
2014/0263324 A1 11/2014 Latham et al.  
2014/0360908 A1 12/2014 Sorensen et al.  
2015/0014322 A1 1/2015 Kim  
2015/0201773 A1 7/2015 Sorensen et al.  
2015/0201774 A1 7/2015 Sorensen et al.  
2015/0201775 A1 7/2015 Sorensen et al.  
2016/0007780 A1 1/2016 Dolan et al.  
2018/0050850 A1 2/2018 Murosky et al.

OTHER PUBLICATIONS

Design U.S. Appl. No. 29/580,621, filed Oct. 11, 2016, titled "Mouthpiece", 18 pages.  
Beachbody on Demand. 11 Water Bottles We're Lusting After. Apr. 15, 2016 [earliest online date], [site visited Oct. 11, 2017]. Available from Internet, <URL:https://www.beachbodyondemand.com/blog/11-water-bottles-were-lusting-after>. (Year: 2016).  
Amazon. Duo Classic protein Shaker Bottle. Jul. 30, 2014 [earliest online date], [site visited Oct. 11, 2017]. Available from Internet, <URL:https://www.amazon.com/Duo-Classic-Protein-Shaker-Bottle/dp/B00J9XRIEU?th=1>. (Year: 2014).  
Design U.S. Appl. No. 29/602,291, filed Apr. 28, 2017, titled "Lid and Spout", 34 pages.  
Design U.S. Appl. No. 29/634,621, filed Jan. 23, 2018, titled "Mouthpiece", 11 pages.

\* cited by examiner

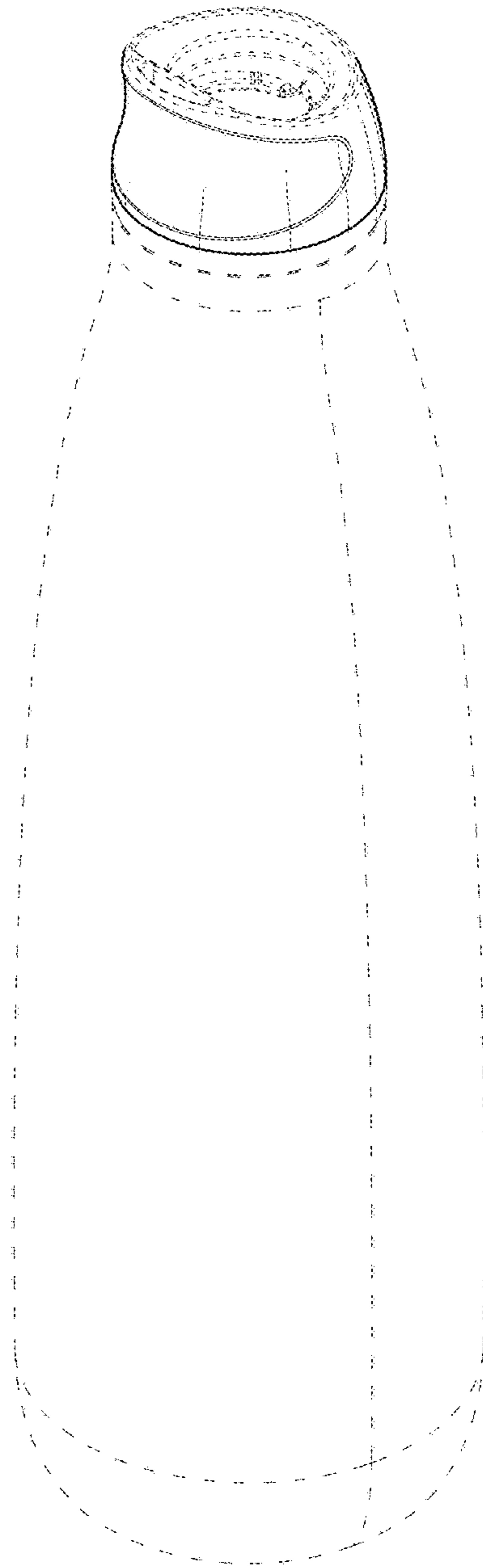


FIG. 1

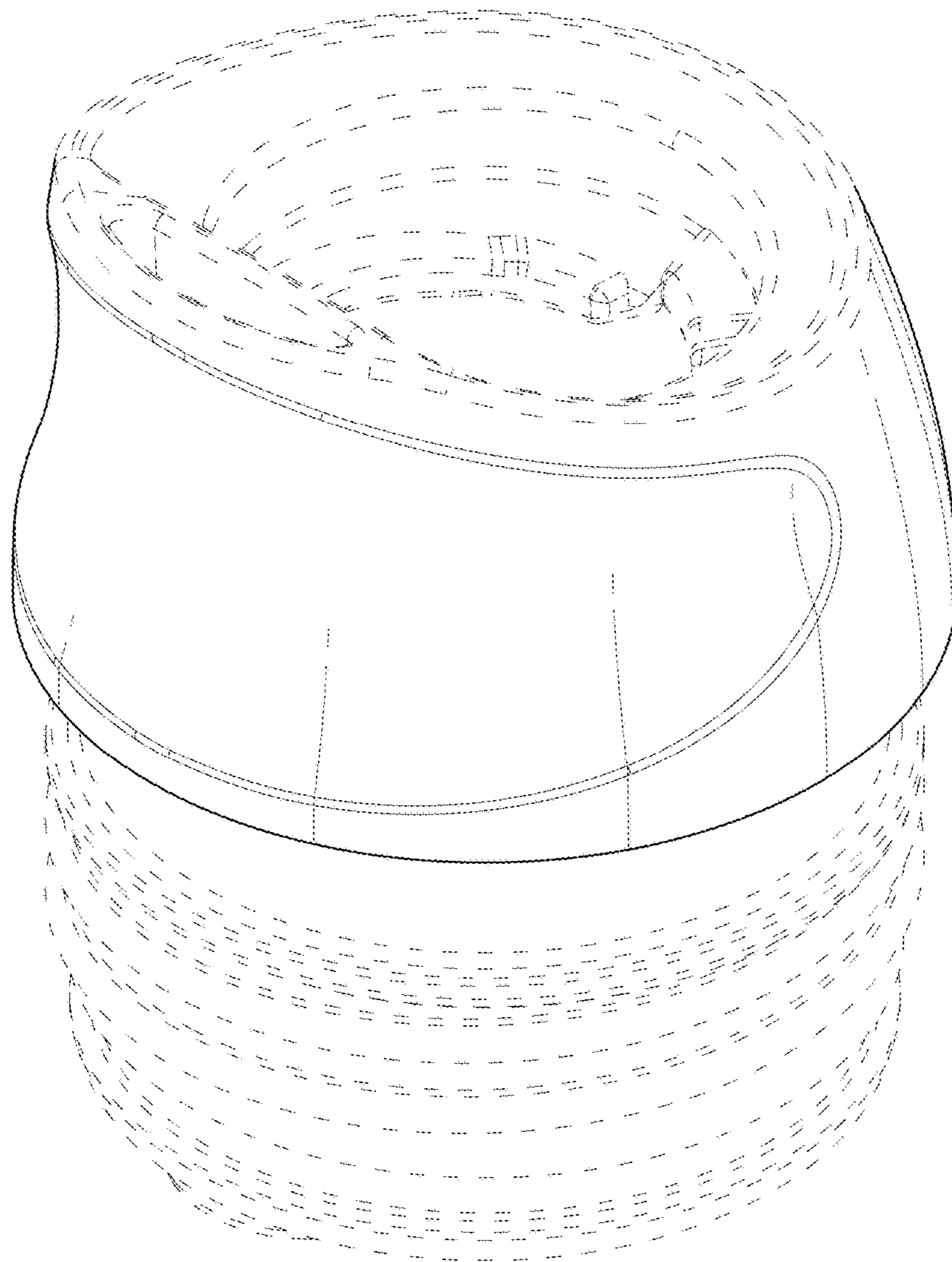


FIG. 2



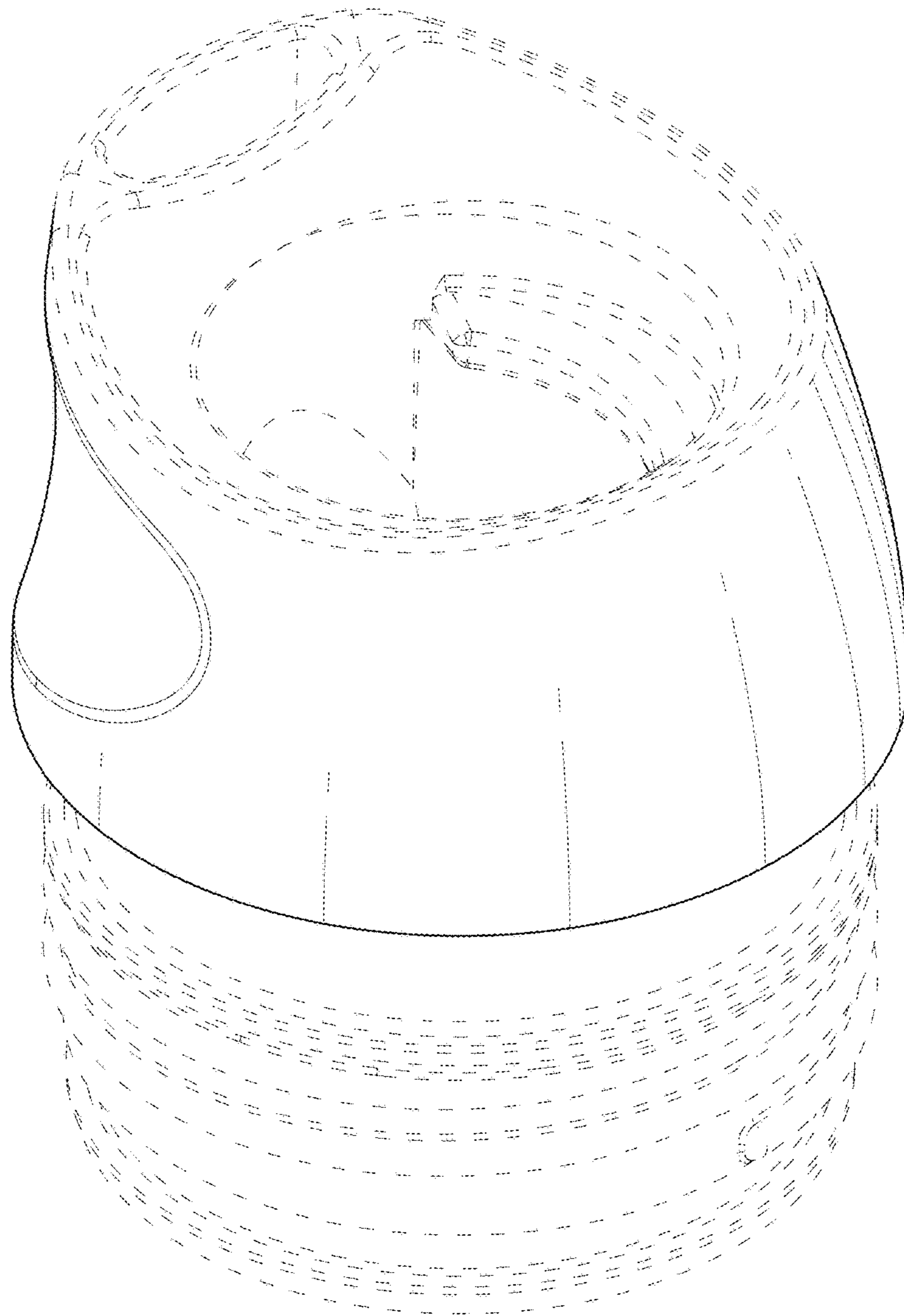


FIG. 3

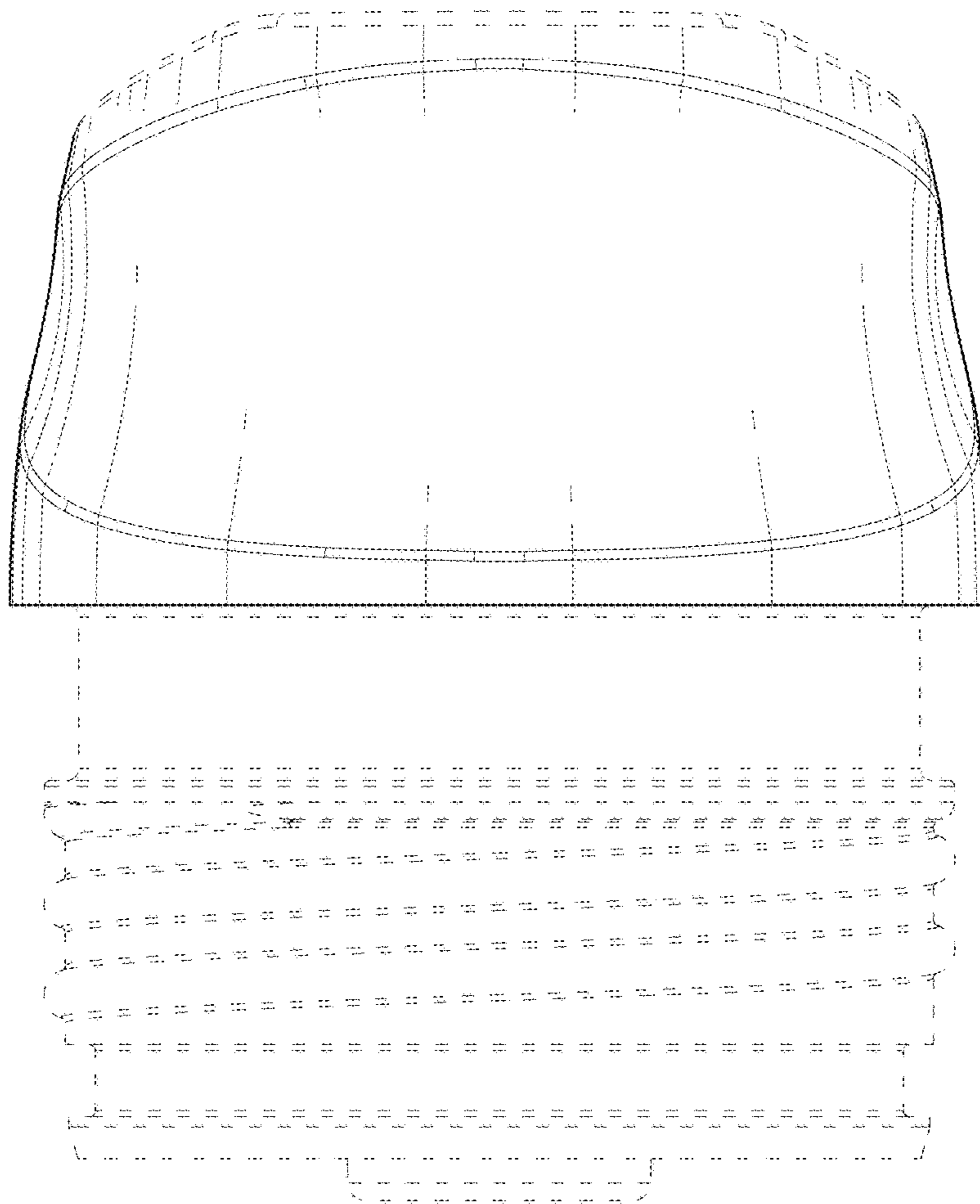


FIG. 4

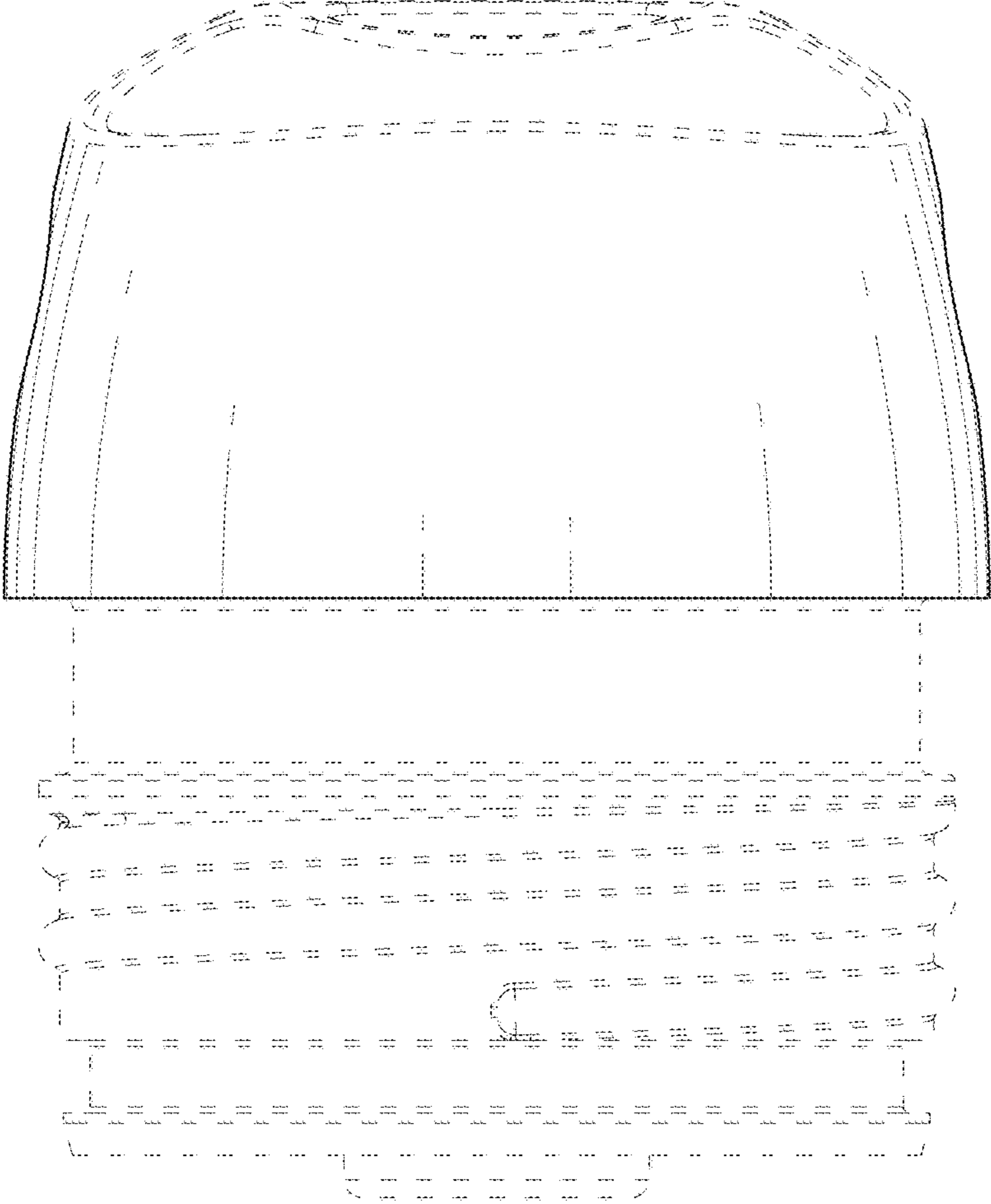


FIG. 5

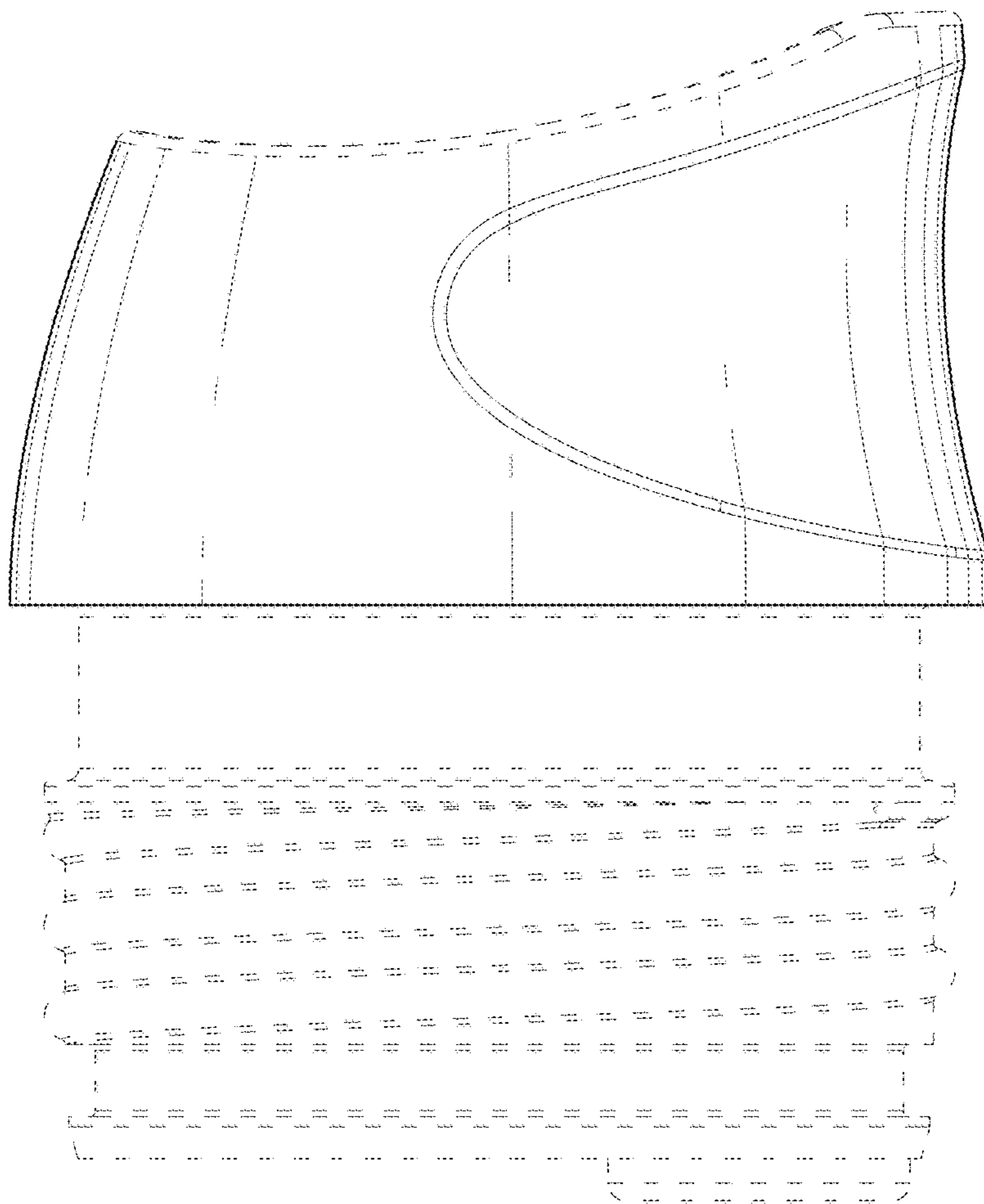


FIG. 6



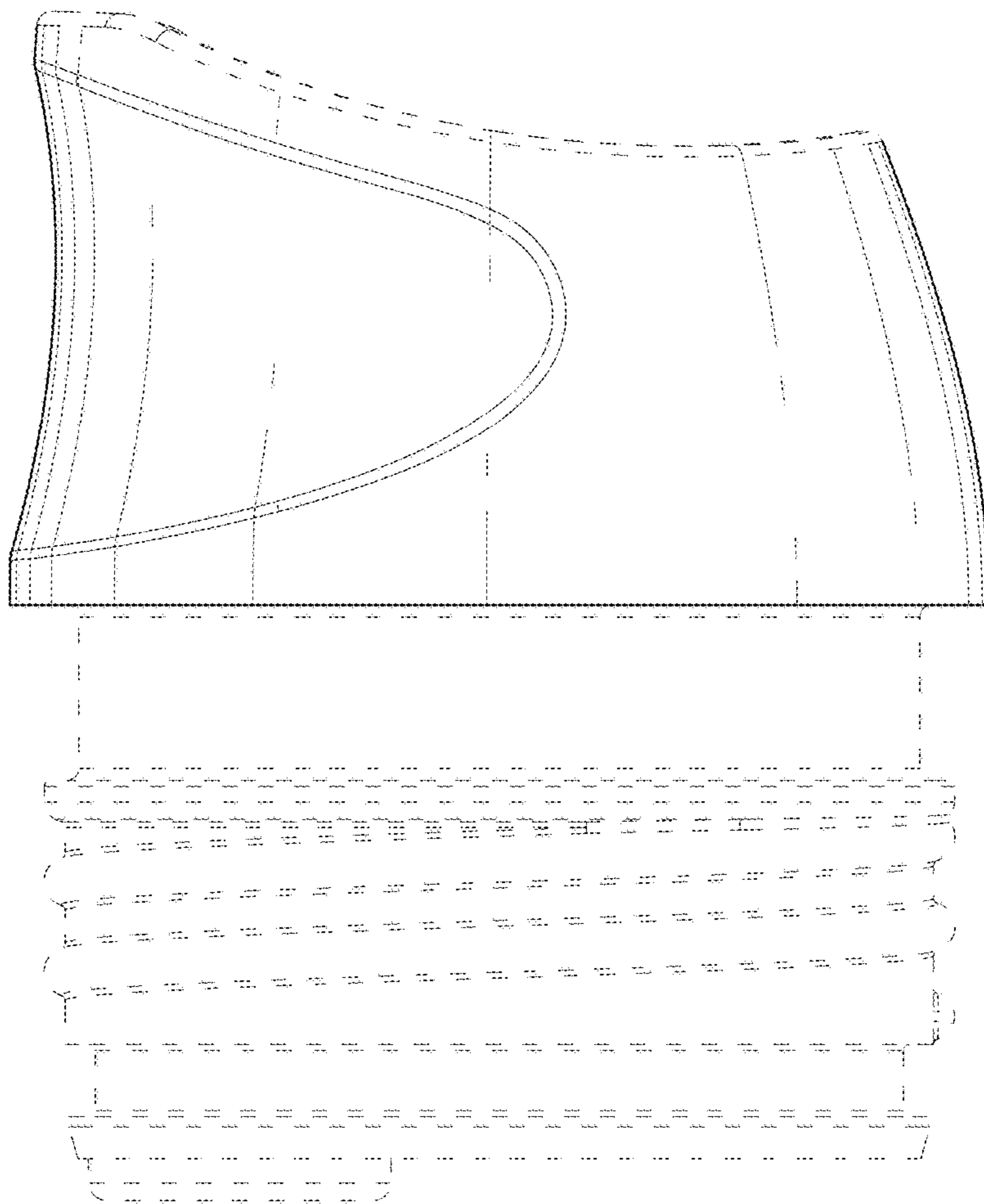


FIG. 7

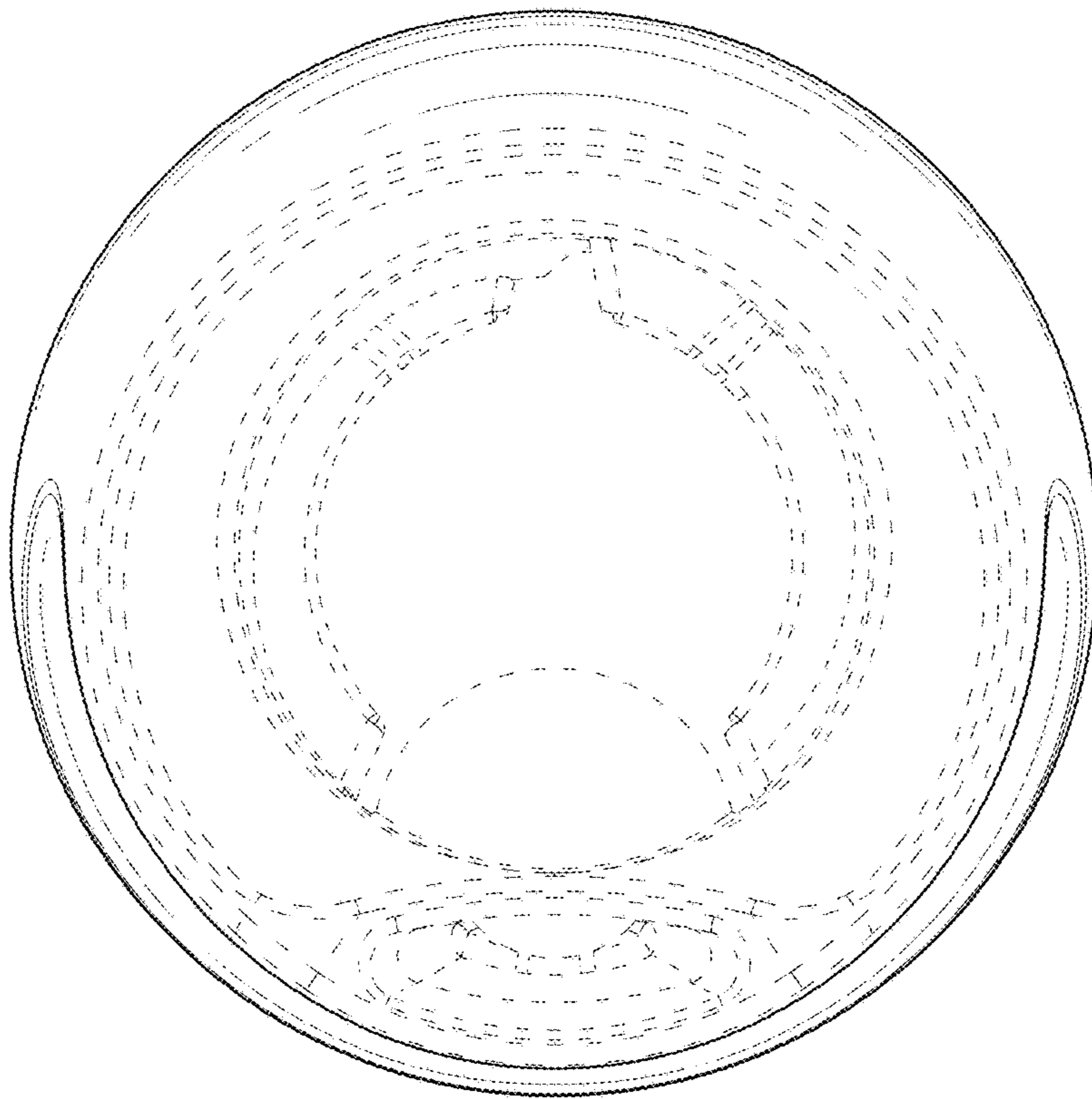


FIG. 8

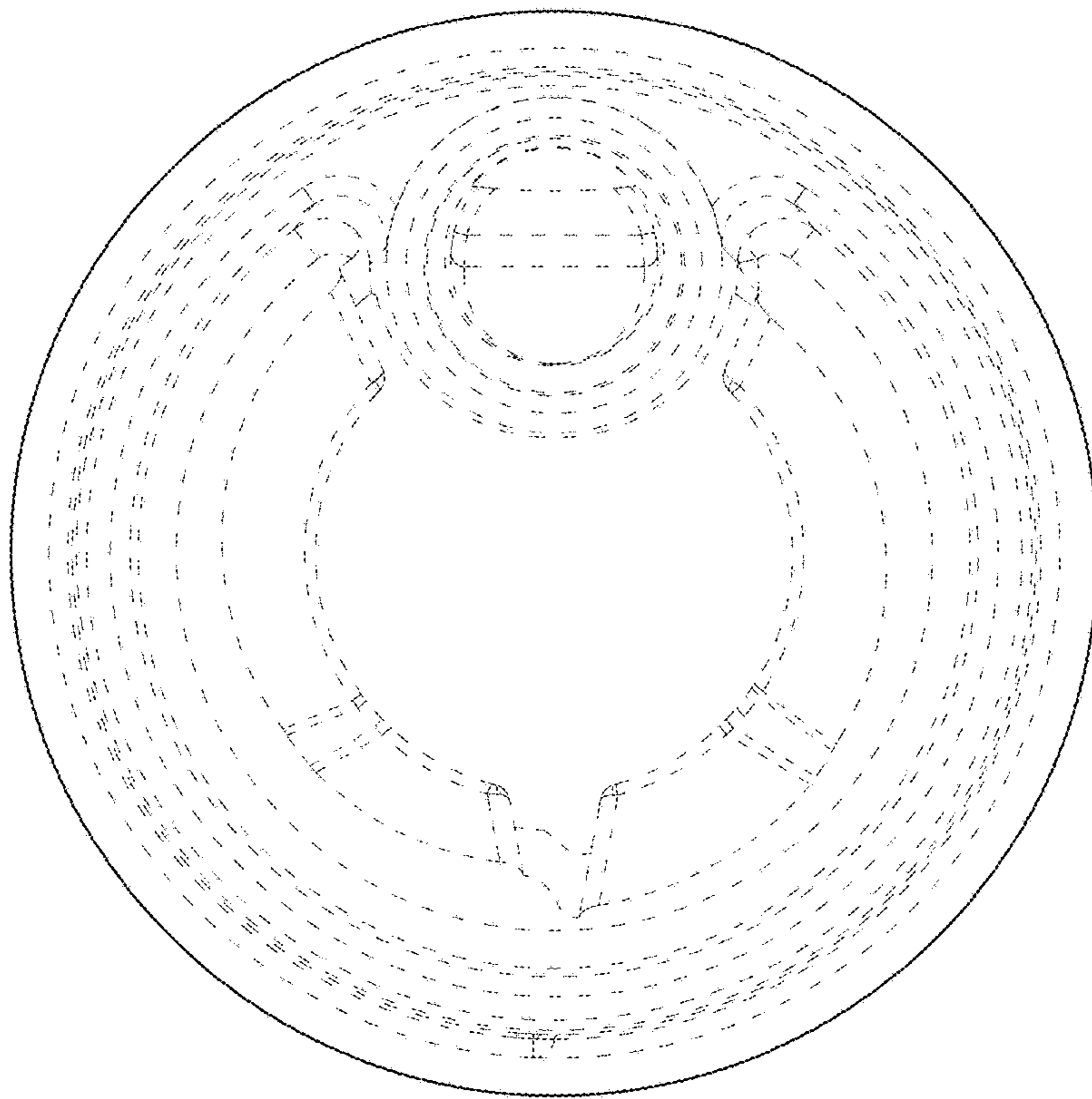


FIG. 9