

US00D862220S

(12) **United States Design Patent** (10) **Patent No.:** **US D862,220 S**
Stephens (45) **Date of Patent:** **** Oct. 8, 2019**

(54) **FEMININE HYGIENE ARTICLE PACKAGE**

(71) Applicant: **The Procter & Gamble Company,**
Cincinnati, OH (US)

(72) Inventor: **Jerry Ray Stephens,** Hamilton, OH
(US)

(73) Assignee: **The Procter & Gamble Company,**
Cincinnati, OH (US)

(**) Term: **14 Years**

(21) Appl. No.: **29/492,343**

(22) Filed: **May 30, 2014**

(51) **LOC (12) Cl.** **09-03**

(52) **U.S. Cl.**
USPC **D9/431**

(58) **Field of Classification Search**
USPC D3/203.2; D6/512, 517; D9/414-418,
D9/423, 425, 430-434, 437, 499, 667,
D9/737, 739; 220/834; 229/123.1,
229/123.3, 221, 225, 248
CPC B65D 5/705; B65D 5/708; B65D 5/0236;
B65D 5/0263; B65D 5/701; B65D
83/0805

See application file for complete search history.

(56) **References Cited**

U.S. PATENT DOCUMENTS

D273,462 S *	4/1984	Mode	D9/431
4,921,474 A	5/1990	Suzuki et al.		
D394,385 S *	5/1998	Laughlin	D9/431
D415,565 S	10/1999	Hayes et al.		
D519,832 S *	5/2006	Demathieu et al.	D9/430
D521,373 S *	5/2006	Stanton	D9/430
D521,376 S *	5/2006	Mosto	D9/430
D526,572 S	8/2006	Lemaire		
D527,253 S	8/2006	Hamuro		
D546,673 S	7/2007	Mongeon		

D586,210 S	2/2009	Noschang		
D589,343 S *	3/2009	Bohache et al.	D9/430
D598,745 S *	8/2009	Bohache et al.	D9/430
D603,701 S	11/2009	Seol		
D615,397 S	5/2010	Arnell		
D616,300 S *	5/2010	Shaikh	D9/430
D617,183 S *	6/2010	Stephens	D9/430
D617,186 S	6/2010	Bone		
D620,592 S	7/2010	VanDenBogart et al.		
D629,295 S *	12/2010	Franic	D9/433
D644,513 S	9/2011	Marotti		
D650,273 S	12/2011	Tekulve		
D654,789 S	2/2012	DuVal		
D655,155 S	3/2012	Tekulve		
D656,016 S	3/2012	Hablutzel		

(Continued)

OTHER PUBLICATIONS

U.S. Appl. No. 29/586,665, filed Dec. 6, 2016, Stephens.
All Office Actions for U.S. Appl. No. 29/486,322.
All Office Actions for U.S. Appl. No. 29/586,665.

Primary Examiner — George D. Kirschbaum
Assistant Examiner — Darcey E Heflin
(74) *Attorney, Agent, or Firm* — Daniel S. Albrecht;
George Henry Leal

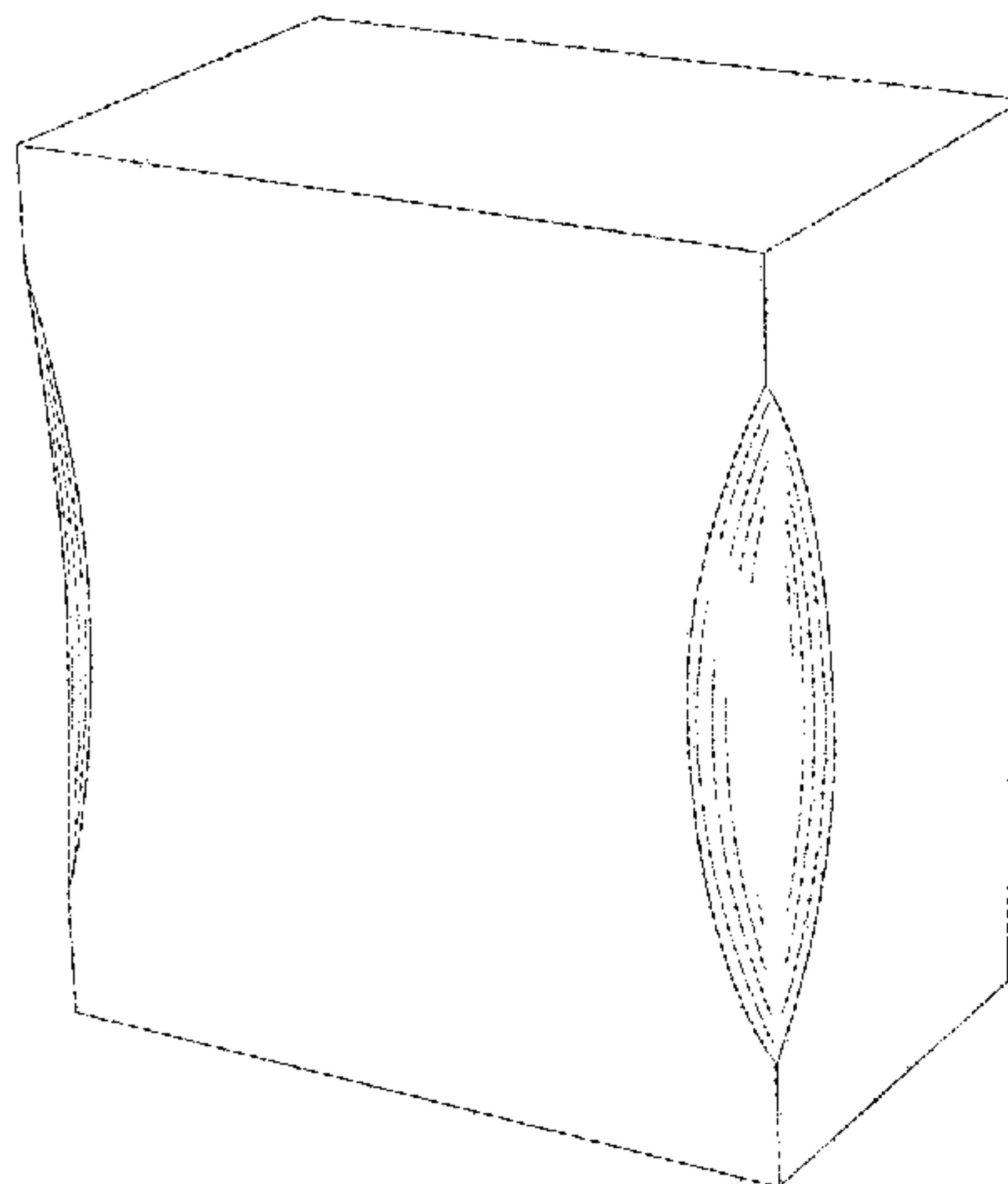
(57) **CLAIM**

I claim the ornamental design for a feminine hygiene article package, as shown and described.

DESCRIPTION

FIG. 1 is a front perspective view of a feminine hygiene article package embodying the new design;
FIG. 2 is a front view of the design shown in FIG. 1;
FIG. 3 is a right-side view of the design shown in FIG. 1;
FIG. 4 is a back view of the design shown in FIG. 1;
FIG. 5 is a left-side view of the design shown in FIG. 1;
FIG. 6 is a top view of the design shown in FIG. 1; and,
FIG. 7 is a bottom view of the design shown in FIG. 1.

1 Claim, 4 Drawing Sheets



(56)

References Cited

U.S. PATENT DOCUMENTS

D657,239	S	*	4/2012	Gavrilenkov et al.	D9/432
D660,145	S		5/2012	Tekulve	
D661,200	S		6/2012	Subler	
D666,091	S		8/2012	Klopp	
D674,692	S		1/2013	Chase	
D682,684	S	*	5/2013	Walter et al.	D9/434
D683,218	S		5/2013	Thompson	
D684,467	S		6/2013	Macaulay	
D686,066	S		7/2013	Macaulay	
D686,067	S		7/2013	Macaulay	
D686,068	S		7/2013	DiFranza	
D686,069	S		7/2013	DiFranza	
D686,070	S		7/2013	DiFranza	
D691,471	S	*	10/2013	Walter et al.	D9/434
D728,364	S	*	5/2015	Baker et al.	D9/432
D734,144	S	*	7/2015	Sanfilippo et al.	D9/416
D755,380	S		5/2016	DeSoto-Burt et al.	
D756,518	S		5/2016	Bischoff	
D768,475	S		10/2016	Thompson et al.	
D775,520	S		1/2017	Stephens	
2012/0101424	A1		4/2012	Watanabe	
2015/0223993	A1		8/2015	Ito et al.	

* cited by examiner

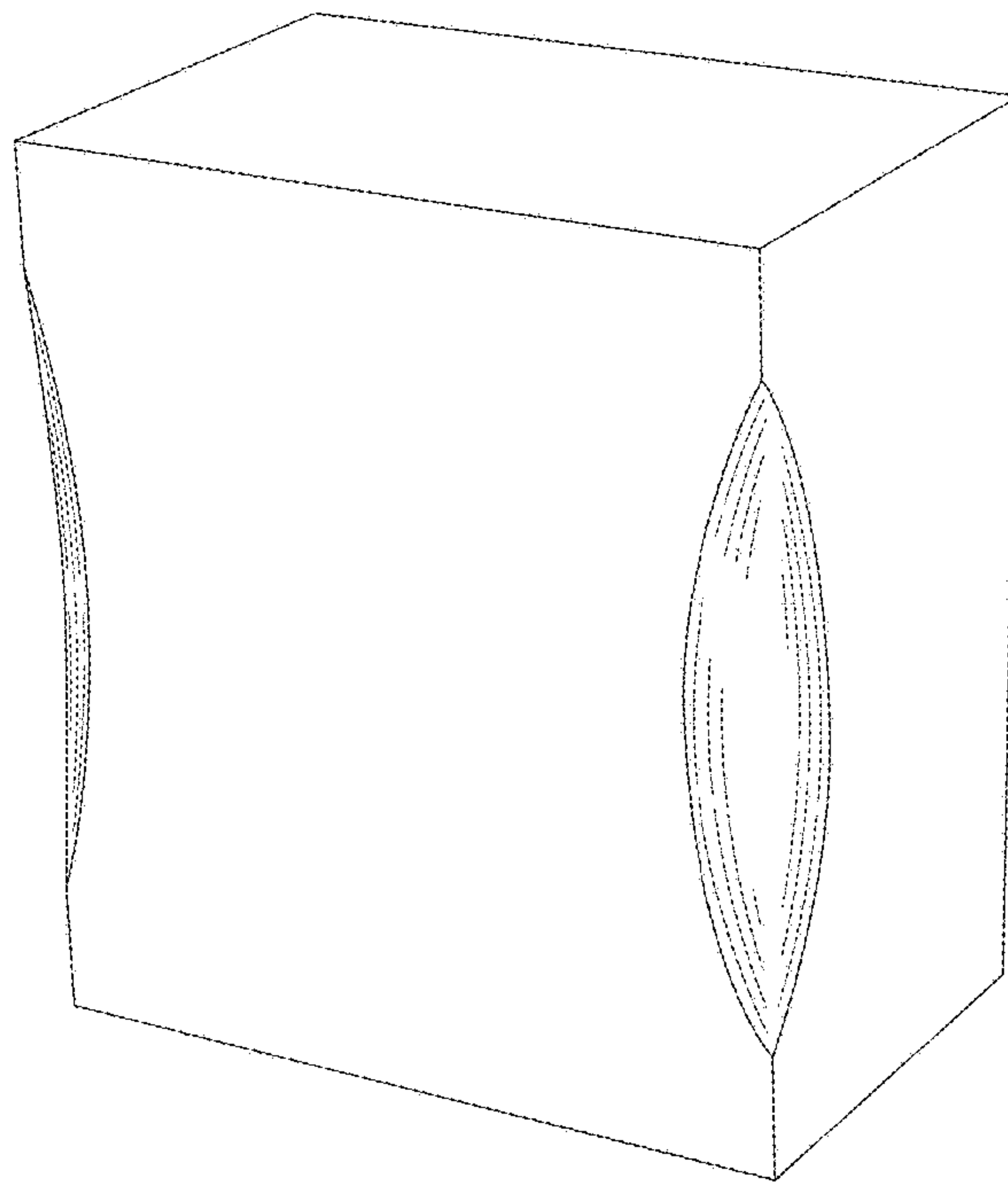


Fig. 1

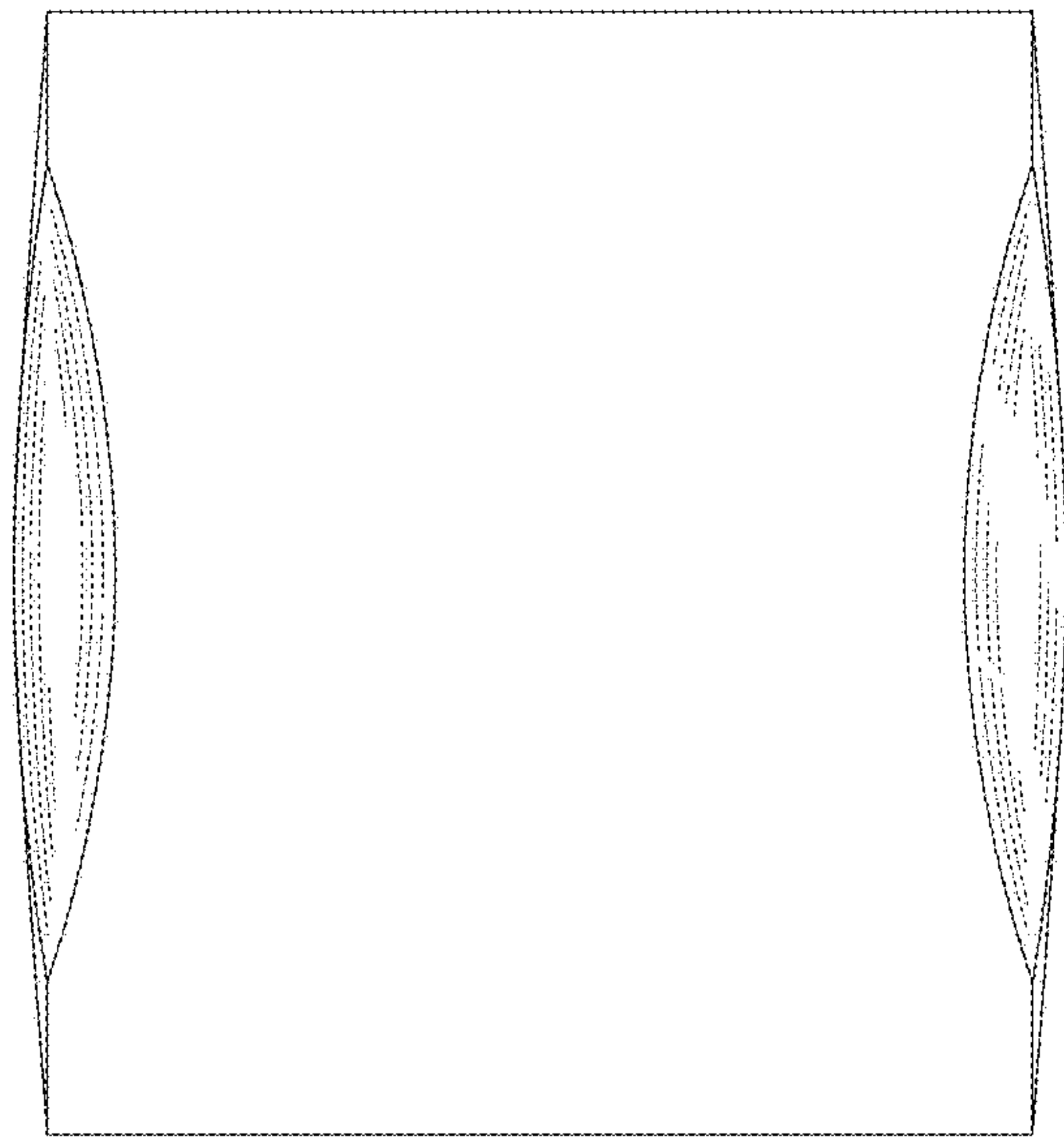


Fig. 2

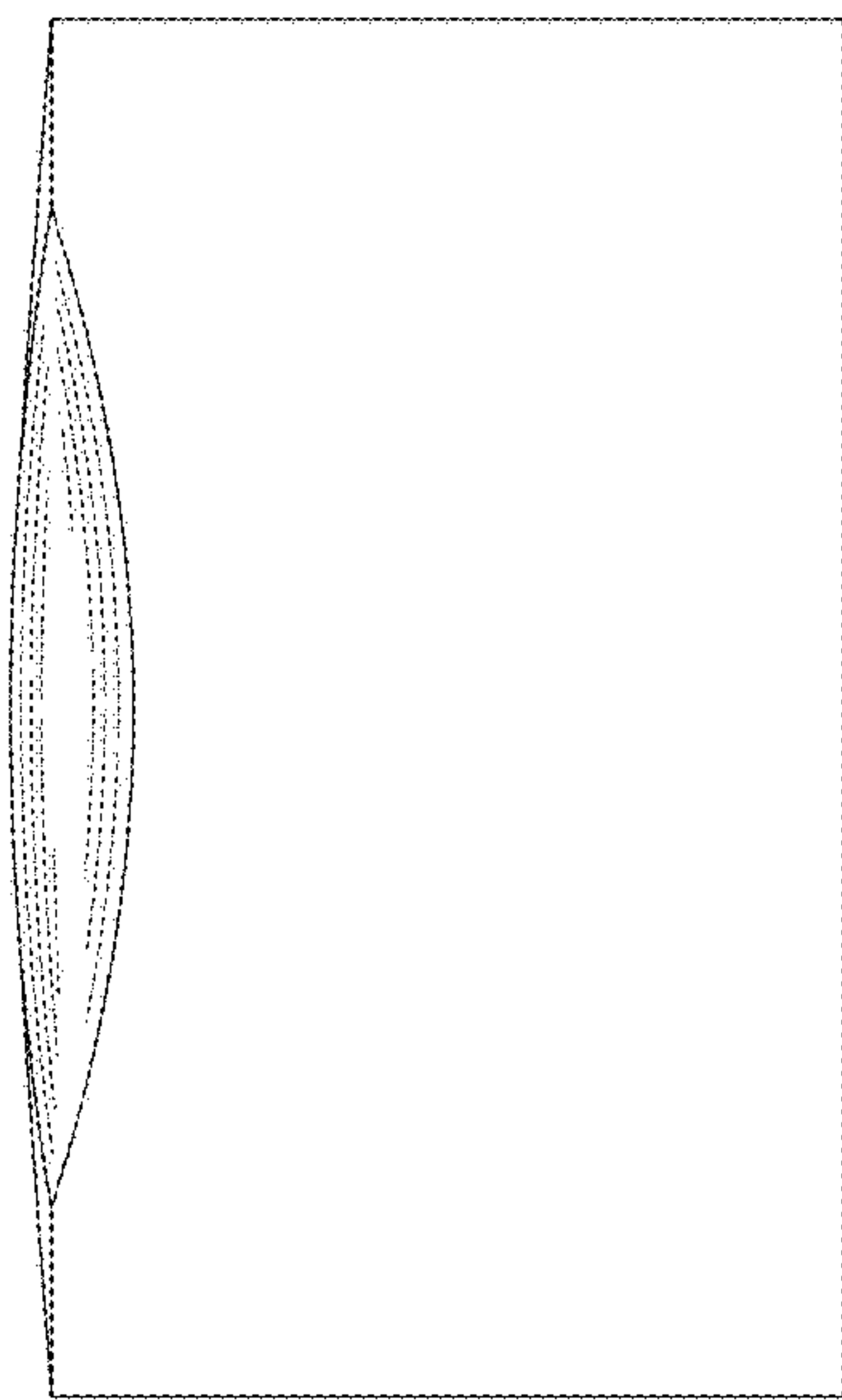


Fig. 3

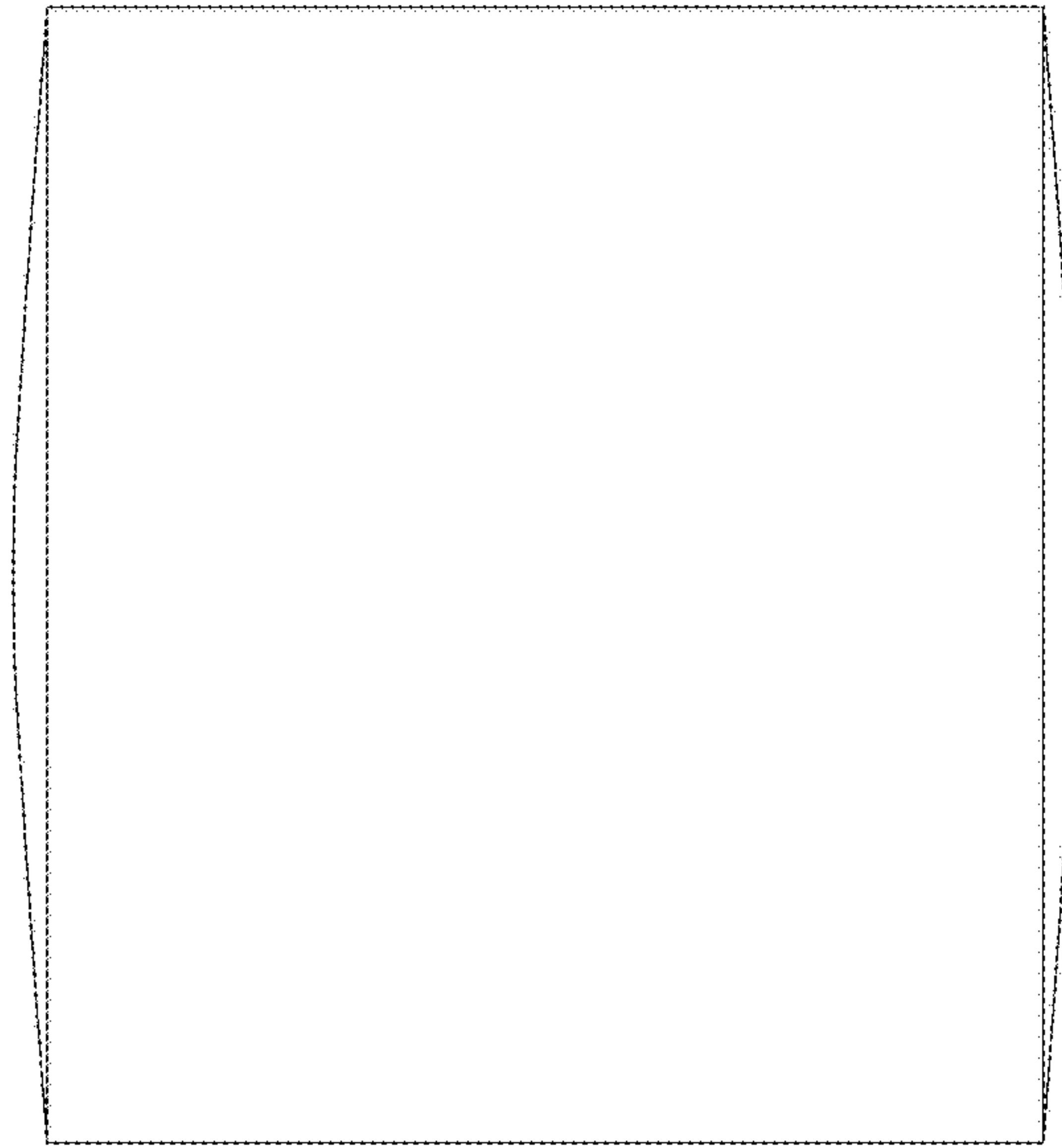


Fig. 4

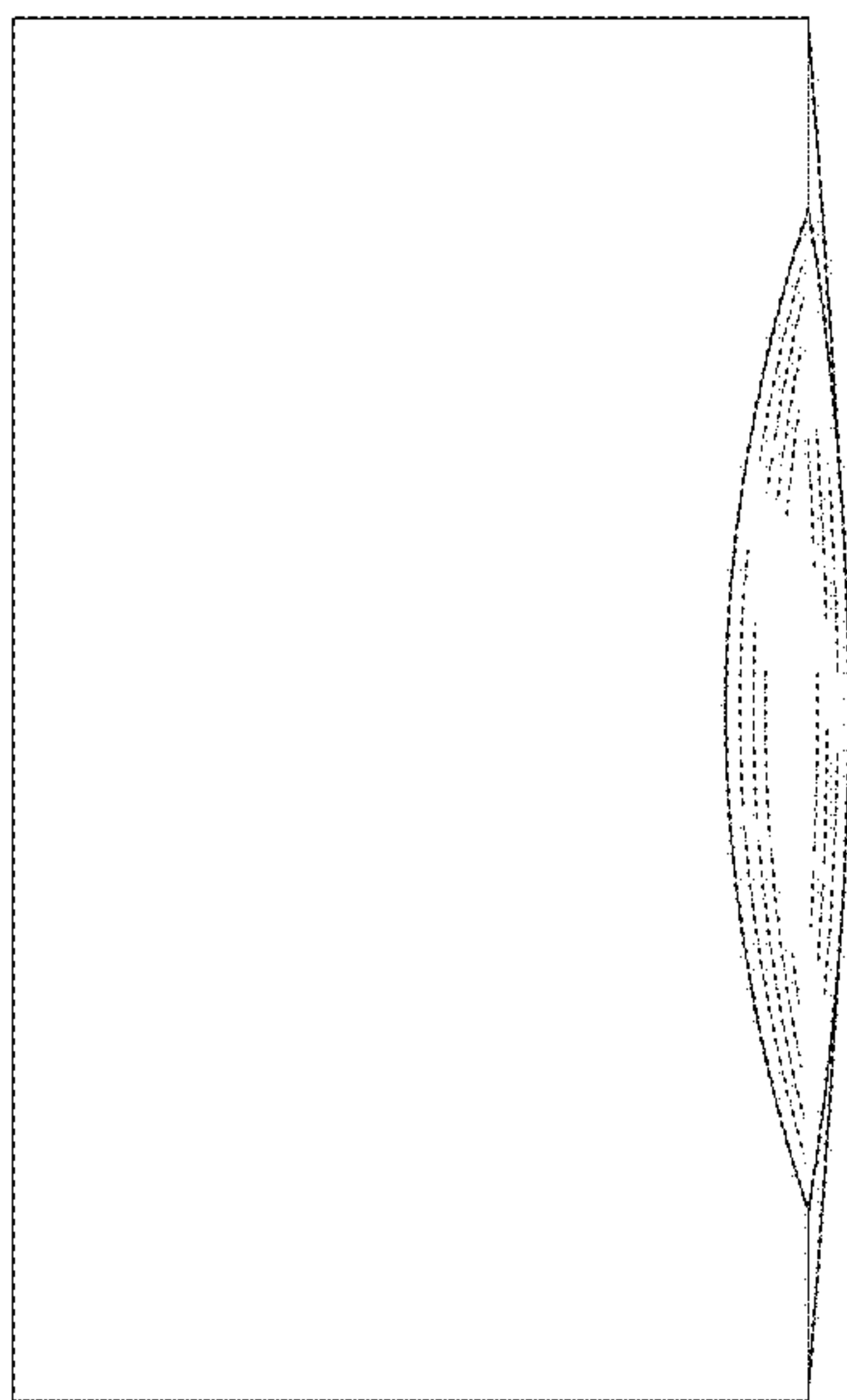


Fig. 5

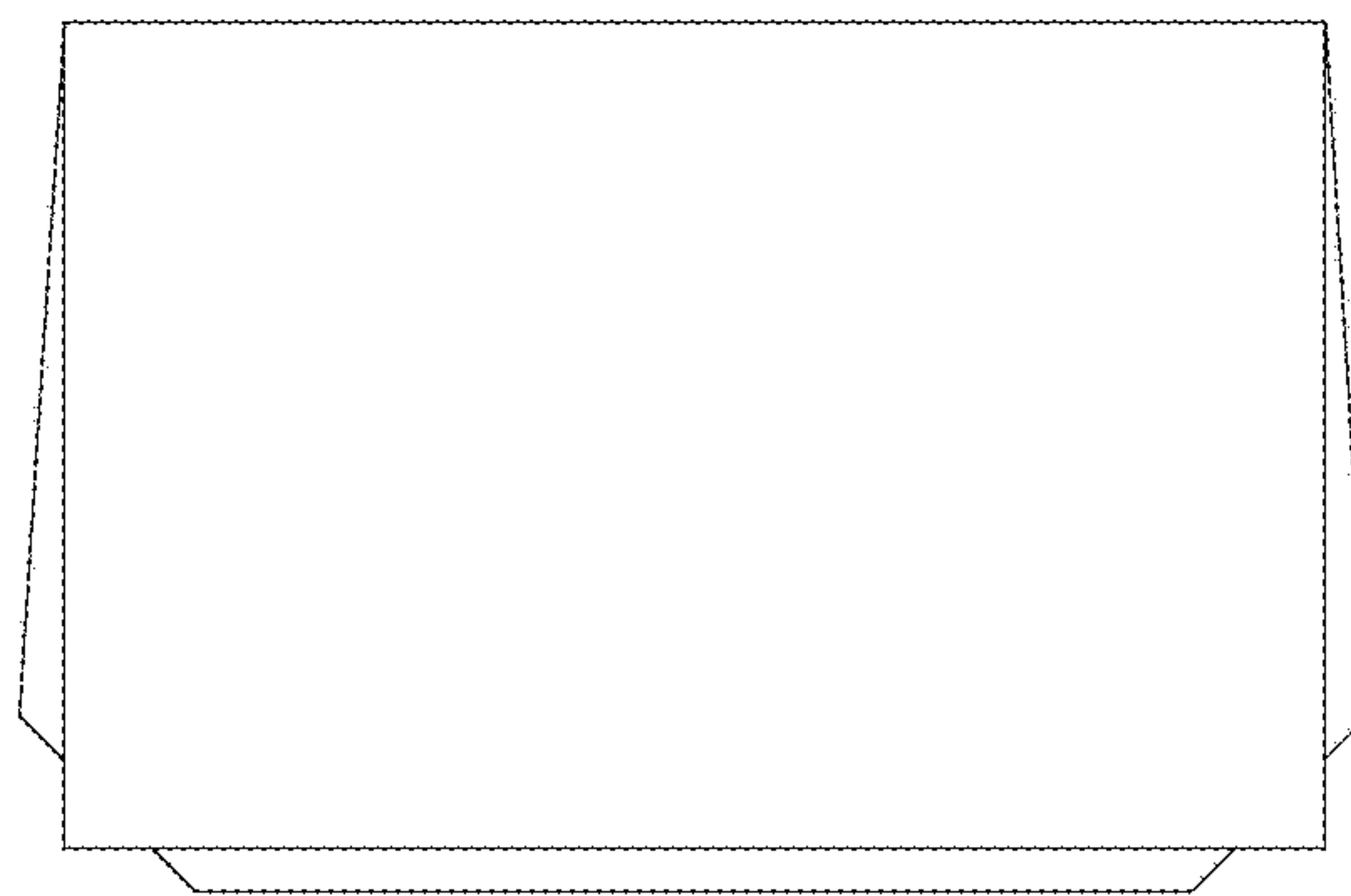


Fig. 6

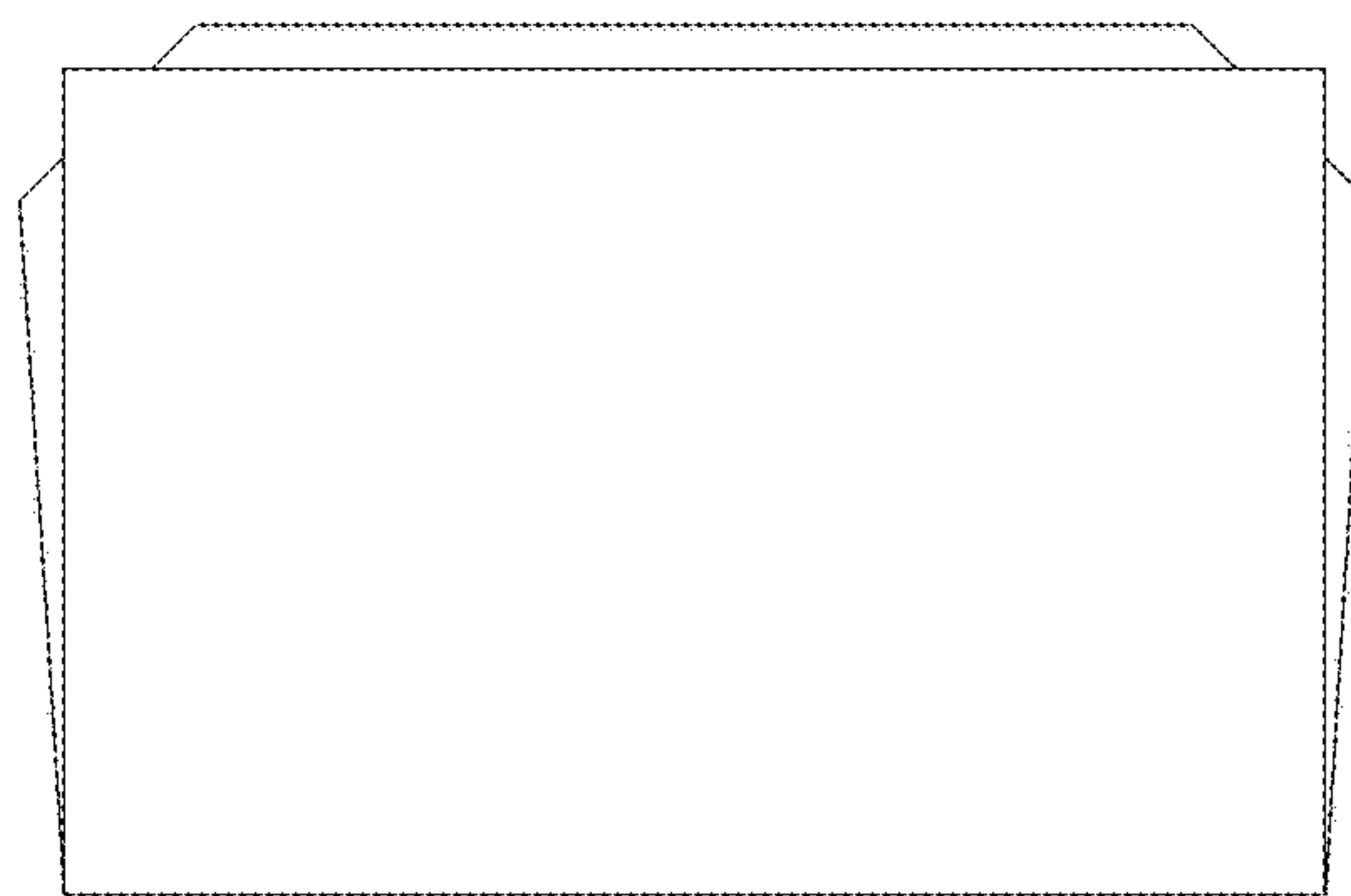


Fig. 7