



US00D862218S

(12) **United States Design Patent**
Giwani

(10) **Patent No.:** **US D862,218 S**

(45) **Date of Patent:** **** Oct. 8, 2019**

(54) **CELLULAR PHONE ACCESSORY PACKAGE**

(71) Applicant: **Warner Wireless Int'l Inc**, Dallas, TX
(US)

(72) Inventor: **James Giwani**, Dallas, TX (US)

(73) Assignee: **Warner Wireless Int'l Inc**, Dallas, TX
(US)

(**) Term: **15 Years**

(21) Appl. No.: **29/650,258**

(22) Filed: **Jun. 5, 2018**

(51) **LOC (12) Cl.** **09-03**

(52) **U.S. Cl.**
USPC **D9/418**

(58) **Field of Classification Search**

USPC D9/414, 415, 418, 423, 424, 431, 432,
D9/457, 708, 715, 721, 734, 737;
D14/204, 223; D3/201, 218, 226, 294,
D3/295, 319; D8/356

CPC B65D 5/38; B65D 5/503; B65D 5/566;
B65D 5/2033; B65D 5/4204; B65D
5/5028; B65D 5/5038; B65D 7/06; B65D
43/00; B65D 43/163; B65D 81/00; B65D
81/03; B65D 81/36; B65D 81/022; B65D
81/025; B65D 81/3453; B65D 2585/86;
B65D 2585/684; B65D 2585/6835; B65D
2585/6842; B65D 1/22; B65H 75/48;
B65H 75/4428; B65H 75/4431; H04R
1/02; H04R 1/10; H04R 1/1003

See application file for complete search history.

(56) **References Cited**

U.S. PATENT DOCUMENTS

D281,033 S * 10/1985 Mohri D3/295
4,942,617 A 7/1990 Boylan
D397,865 S * 9/1998 Lin D3/218
5,984,224 A * 11/1999 Yang B65H 75/4473
242/400.1

D493,335 S * 7/2004 Armato D7/629
D533,387 S * 12/2006 Huang D6/632
D609,900 S 2/2010 Behar et al.
D620,257 S * 7/2010 Fujimura D3/294
D659,991 S * 5/2012 Long, Jr. D3/201
D669,774 S * 10/2012 Yamaguchi D9/418
D672,660 S * 12/2012 Vural D9/721
D685,771 S * 7/2013 Bertenthal D14/223

(Continued)

Primary Examiner — Wan Laymon

Assistant Examiner — Clint A Samuel

(74) *Attorney, Agent, or Firm* — Scott T. Griggs; Griggs
Bergen LLP

(57) **CLAIM**

The ornamental design for a cellular phone accessory pack-
age, as shown and described.

DESCRIPTION

FIG. 1 is a front perspective view of a cellular phone
accessory package;

FIG. 2 is an additional front perspective view of the cellular
phone accessory package shown in FIG. 1;

FIG. 3 is a top plan view of the cellular phone accessory
package, with the transparent top shown in FIG. 1 removed
for ease of full illustration;

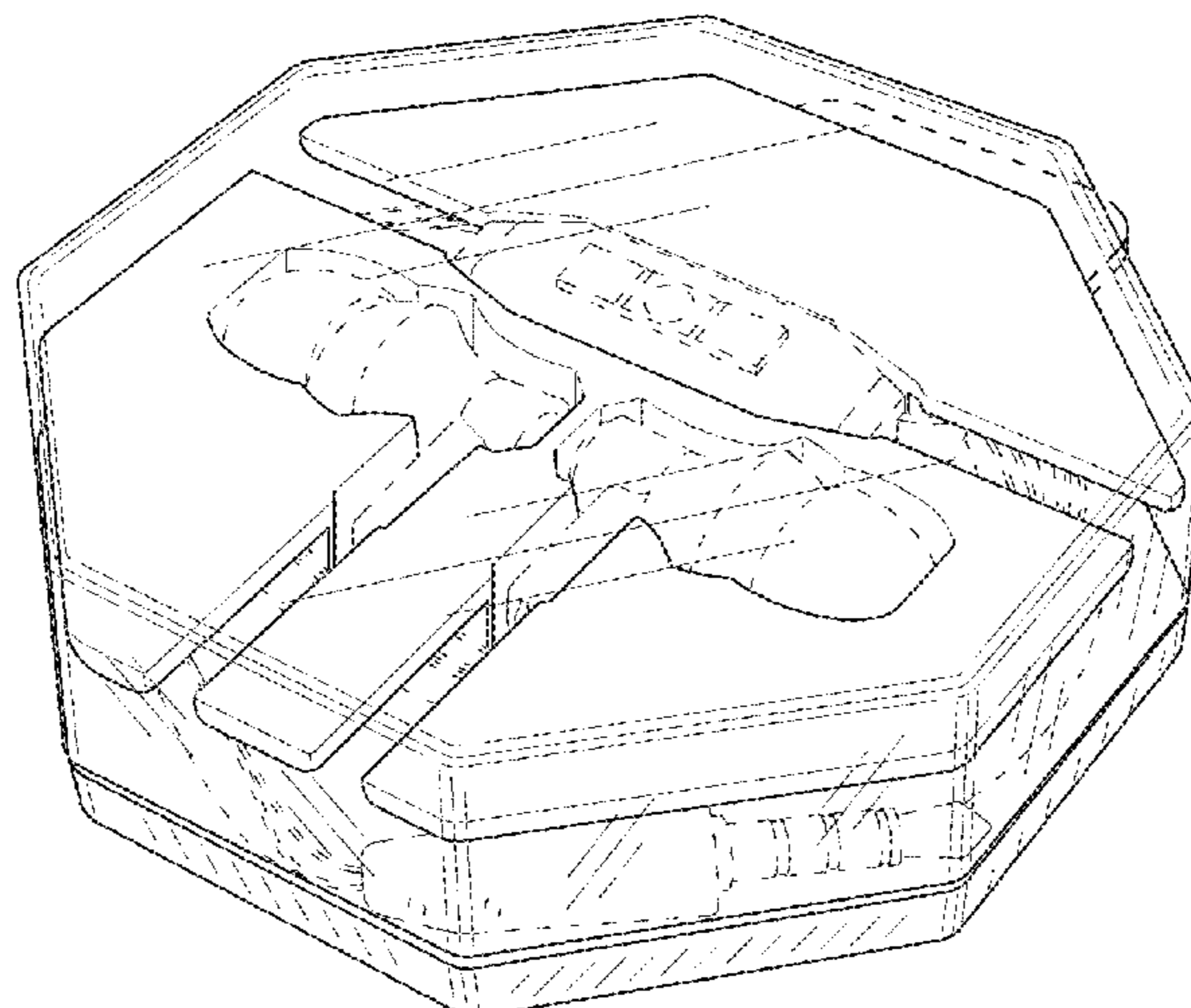
FIG. 4 is a front elevation view of the cellular phone
accessory, with the transparent top shown in FIG. 1 removed
for ease of illustration;

FIG. 5 is a left side elevation view of the cellular phone
accessory, with the transparent top shown in FIG. 1 removed
for ease of illustration, which includes left-right symmetry;
and,

FIG. 6 is a rear elevation view of the cellular phone
accessory package, with the transparent top shown in FIG.
1 removed for ease of illustration.

The dashed and dotted lines shown are provided for envi-
ronmental purposes only and form no part of the claimed
design.

1 Claim, 3 Drawing Sheets



(56)

References Cited

U.S. PATENT DOCUMENTS

D694,101 S * 11/2013 Radomyselski D9/415
8,590,703 B2 * 11/2013 Tierney B65D 65/04
150/154
8,668,160 B2 * 3/2014 Cheng B65H 75/4473
242/400.1
D706,643 S * 6/2014 Akana D9/432
D709,385 S * 7/2014 Vural D9/721
8,774,446 B2 7/2014 Merenda
D722,264 S * 2/2015 Saideh D9/418
D722,497 S * 2/2015 Saideh D9/418
D740,653 S * 10/2015 Akana D9/418
D744,855 S * 12/2015 Akana D9/432
D746,698 S * 1/2016 Akana D9/715
D752,521 S * 3/2016 Place D13/153
D774,760 S * 12/2016 Martinetti D3/294
D793,223 S * 8/2017 Minoli D9/415
D796,968 S * 9/2017 Akana D14/223
D799,316 S * 10/2017 Thain D9/415
D807,761 S * 1/2018 Akana D9/721
D829,551 S * 10/2018 Akana D9/455
D833,887 S * 11/2018 Akana D9/721
D838,480 S * 1/2019 Son D3/294
D840,218 S * 2/2019 Thain D9/415
D844,456 S * 4/2019 O'Neill D9/737
2004/0256188 A1 12/2004 Harcourt
2012/0224739 A1 9/2012 Cataldo et al.
2013/0105342 A1 * 5/2013 Yamamoto H04R 1/1033
206/320
2014/0192995 A1 7/2014 Cataldo et al.
2015/0129702 A1 5/2015 Brennan et al.
2015/0375893 A1 * 12/2015 Korinek B65D 5/503
493/90

* cited by examiner

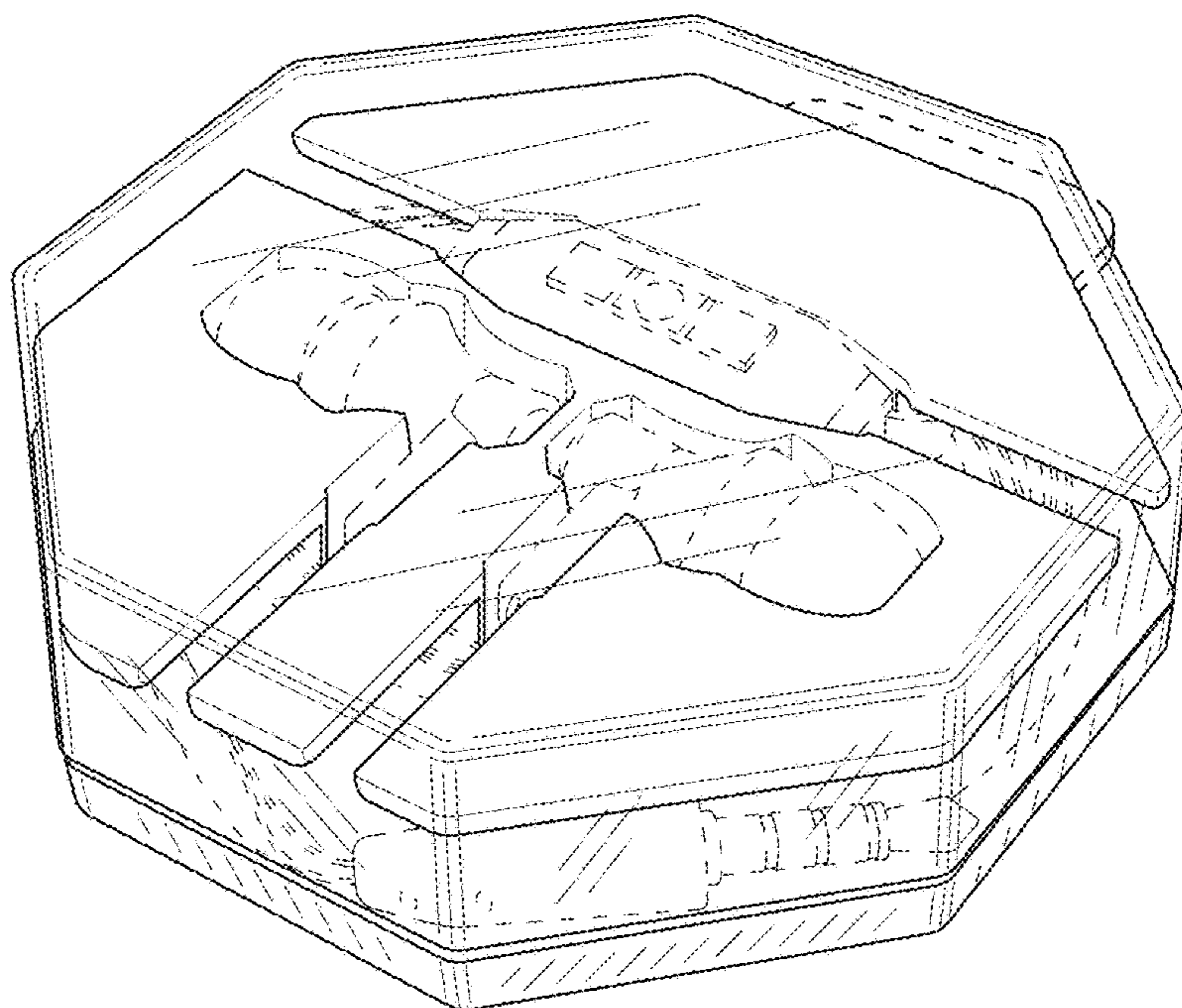


FIG. 1

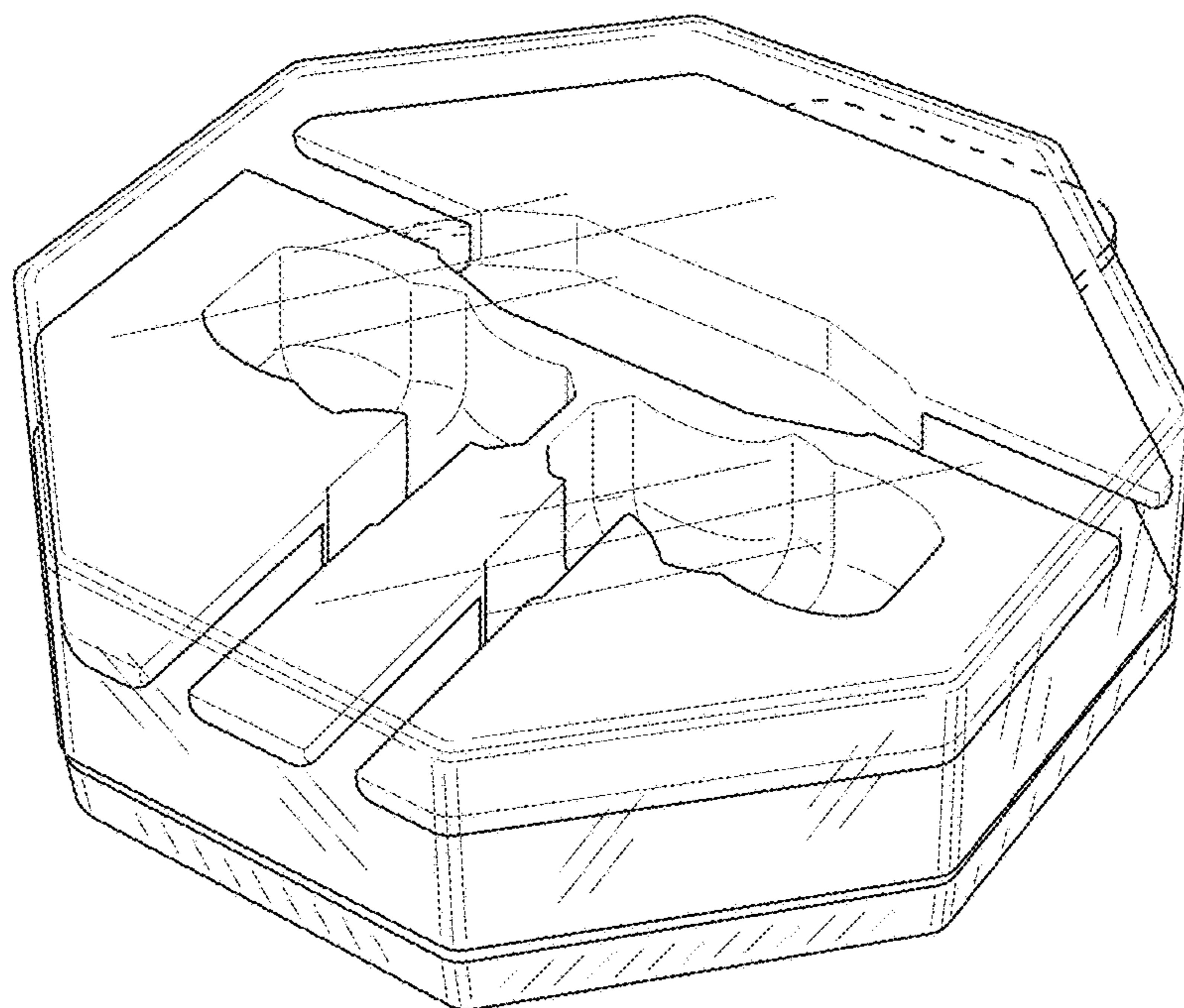


FIG. 2

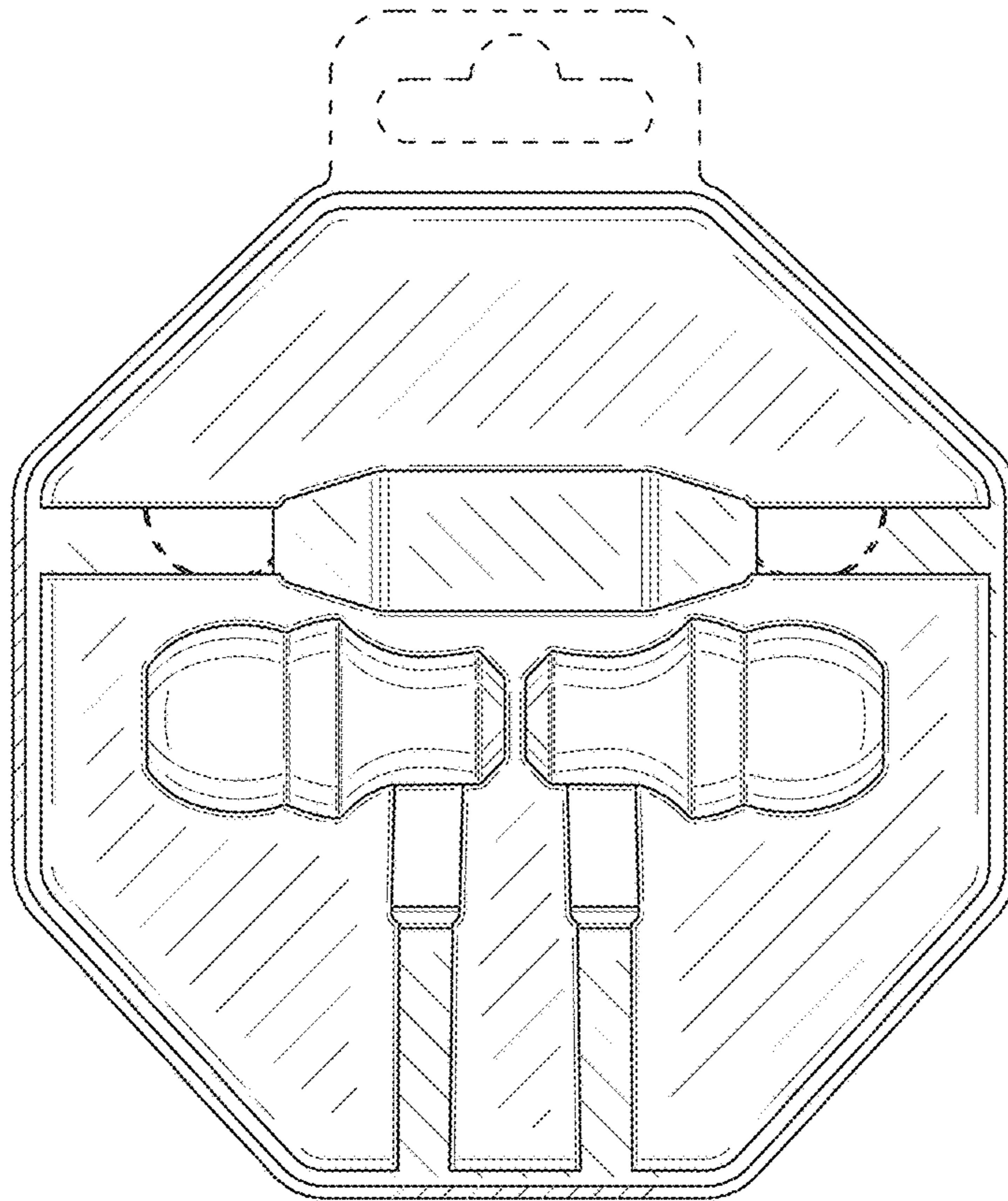


FIG. 3

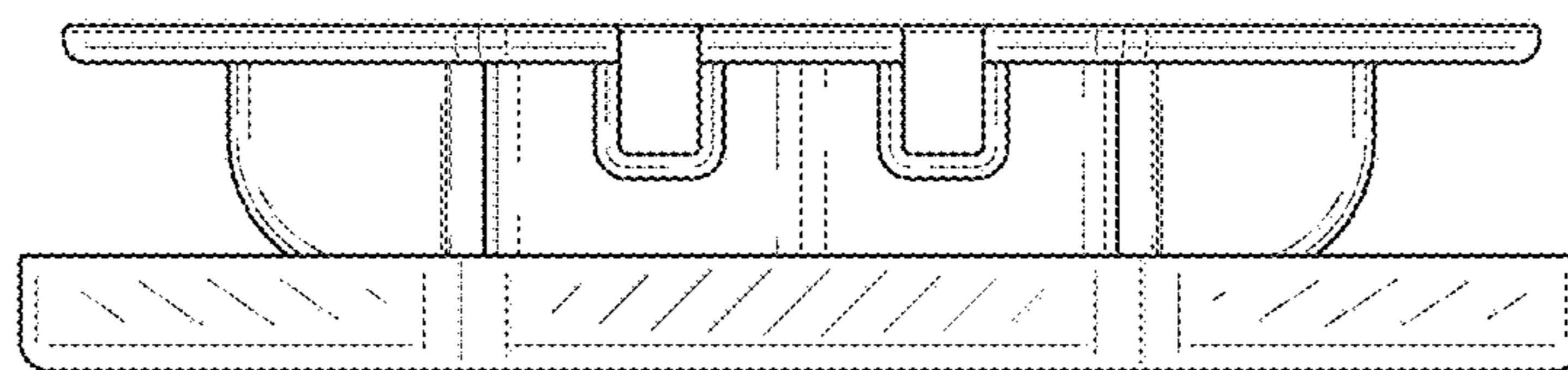


FIG. 4

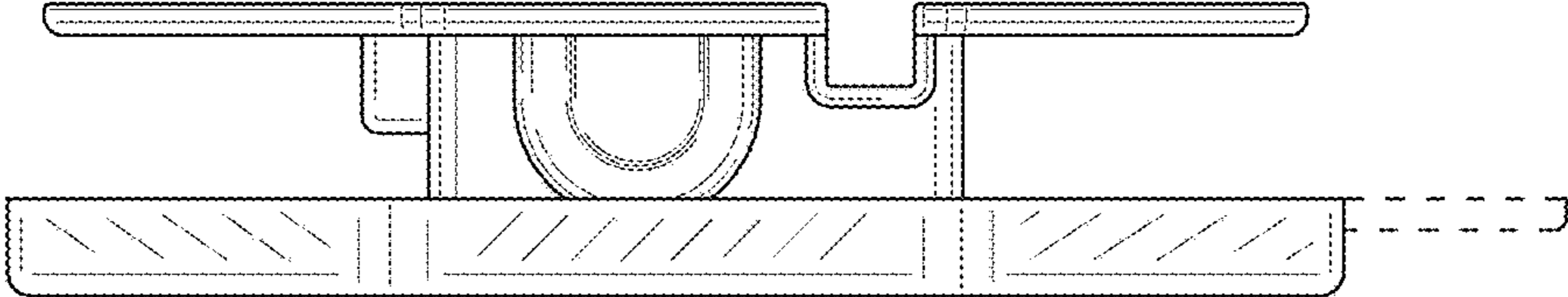


FIG. 5

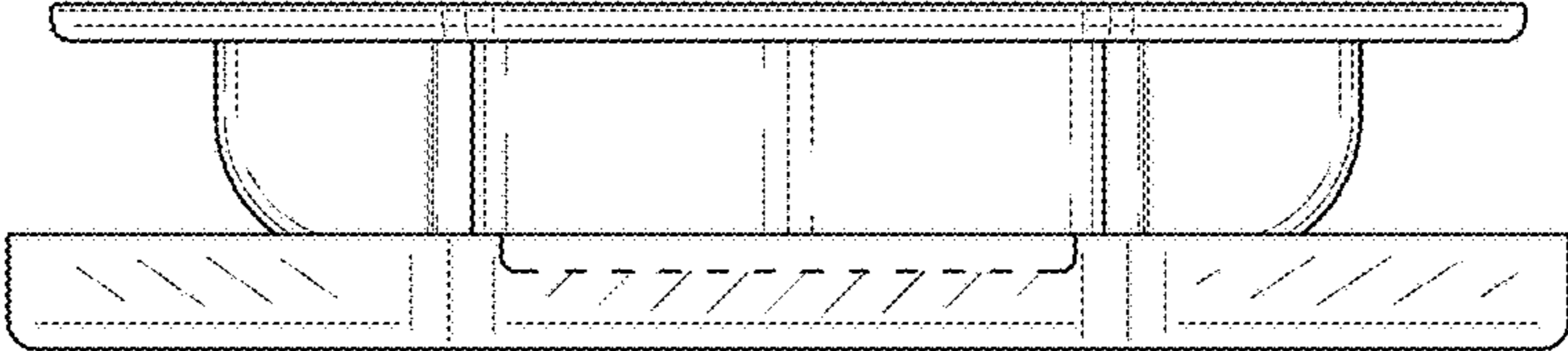


FIG. 6