



US00D862215S

(12) **United States Design Patent**
Stender

(10) **Patent No.:** **US D862,215 S**

(45) **Date of Patent:** **** Oct. 8, 2019**

(54) **BASE MOUNT SUPPORT**

(71) Applicant: **3 T Assets, LLC**, Portage, MI (US)

(72) Inventor: **Timothy P. Stender**, Portage, MI (US)

(73) Assignee: **3 T Assets, LLC**, Portage, MI (US)

(**) Term: **15 Years**

(21) Appl. No.: **29/601,798**

(22) Filed: **Apr. 26, 2017**

(51) **LOC (12) Cl.** **08-08**

(52) **U.S. Cl.**
USPC **D8/387**

(58) **Field of Classification Search**

USPC D8/387, 382, 349, 354, 384, 385, 388,
D8/391, 499

CPC F16B 19/00; F16B 19/004; F16B 19/02;
F16B 19/04; F16B 19/05; F16B 19/06;
F16B 2019/1018; B21K 1/58; B21K
25/00; B21J 15/02

See application file for complete search history.

(56) **References Cited**

U.S. PATENT DOCUMENTS

- 1,435,134 A * 11/1922 Boley E04D 5/145
411/487
- D173,634 S * 12/1954 Allen D11/95
- D228,736 S * 10/1973 Hall D8/360
- D233,018 S * 10/1974 Strayer D8/391
- 3,911,516 A * 10/1975 Einhorn B21G 5/00
248/497
- D240,599 S * 7/1976 Solo D8/385
- D298,736 S * 11/1988 Shiraishi D8/382
- D298,801 S * 12/1988 Satoh D8/382
- D303,494 S * 9/1989 Lange D8/387
- 4,874,276 A * 10/1989 Iguchi F16B 19/1081
24/297
- D326,049 S * 5/1992 Kurihara D8/385

- D337,255 S * 7/1993 Novelli, Sr. D30/155
- D366,113 S * 1/1996 Morgan D11/222
- D381,258 S * 7/1997 Saito D8/382
- 5,755,545 A * 5/1998 Banks E04D 3/3606
411/482
- 6,308,468 B1 * 10/2001 Caruso E04H 12/2215
248/530
- D462,257 S * 9/2002 Alexander D8/391
- D492,896 S * 7/2004 Kuhn D8/389
- D493,098 S * 7/2004 Kuhn D8/389
- D493,099 S * 7/2004 Nebesnak D8/389
- D493,705 S * 8/2004 Kuhn D8/389
- D494,460 S * 8/2004 Nebesnak D8/389
- D542,644 S * 5/2007 Lee D8/387
- D589,333 S * 3/2009 Nakazato D8/382
- D601,004 S * 9/2009 Hagins D8/387
- D654,354 S * 2/2012 Jeon D8/387
- D658,482 S * 5/2012 Pratt D8/349
- D658,973 S * 5/2012 Drake D8/349

(Continued)

Primary Examiner — David G Muller

Assistant Examiner — Nathan M Johnston

(74) *Attorney, Agent, or Firm* — Honigman LLP; Kelly T. Murphy; Jonathan P. O'Brien

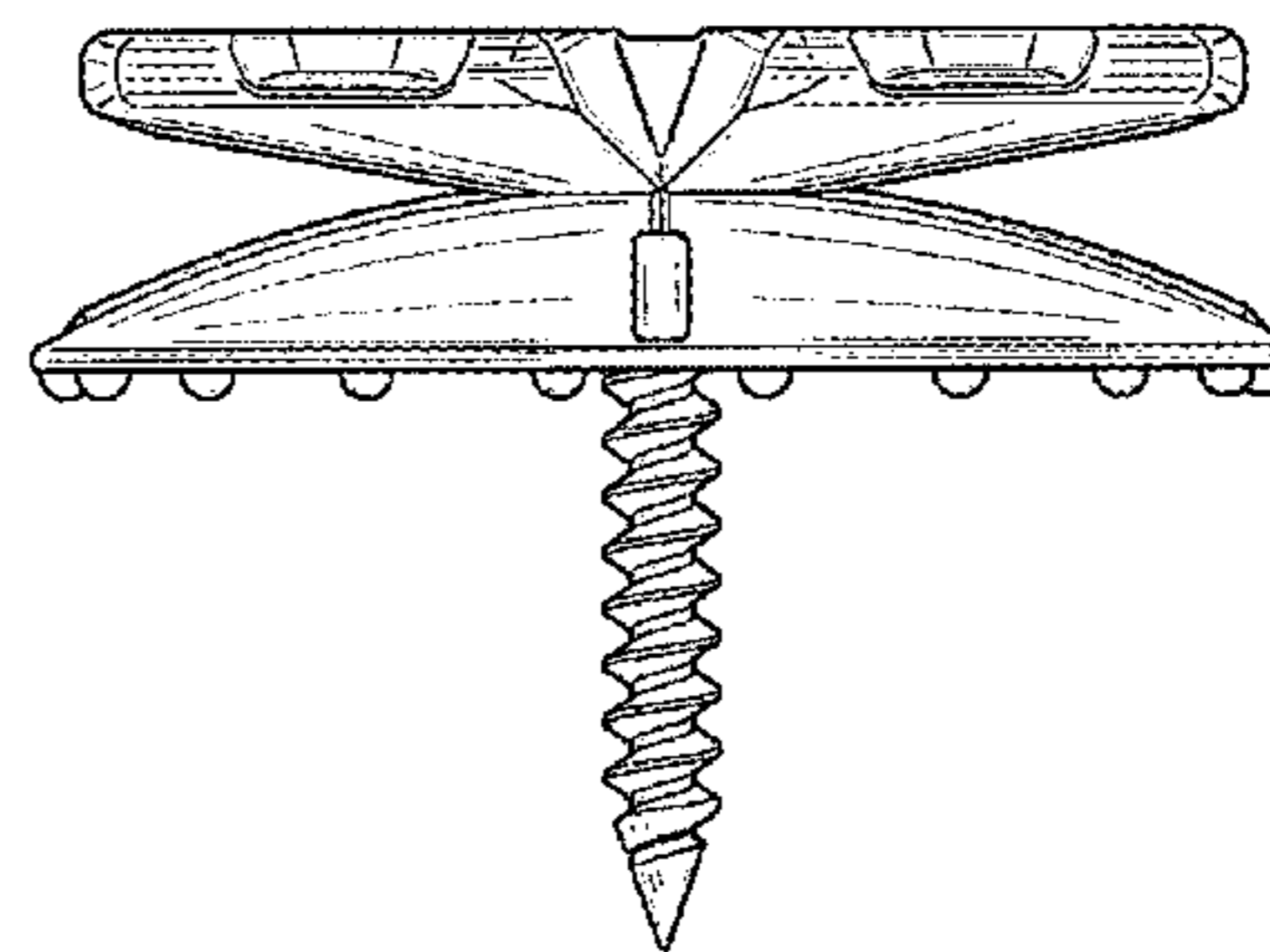
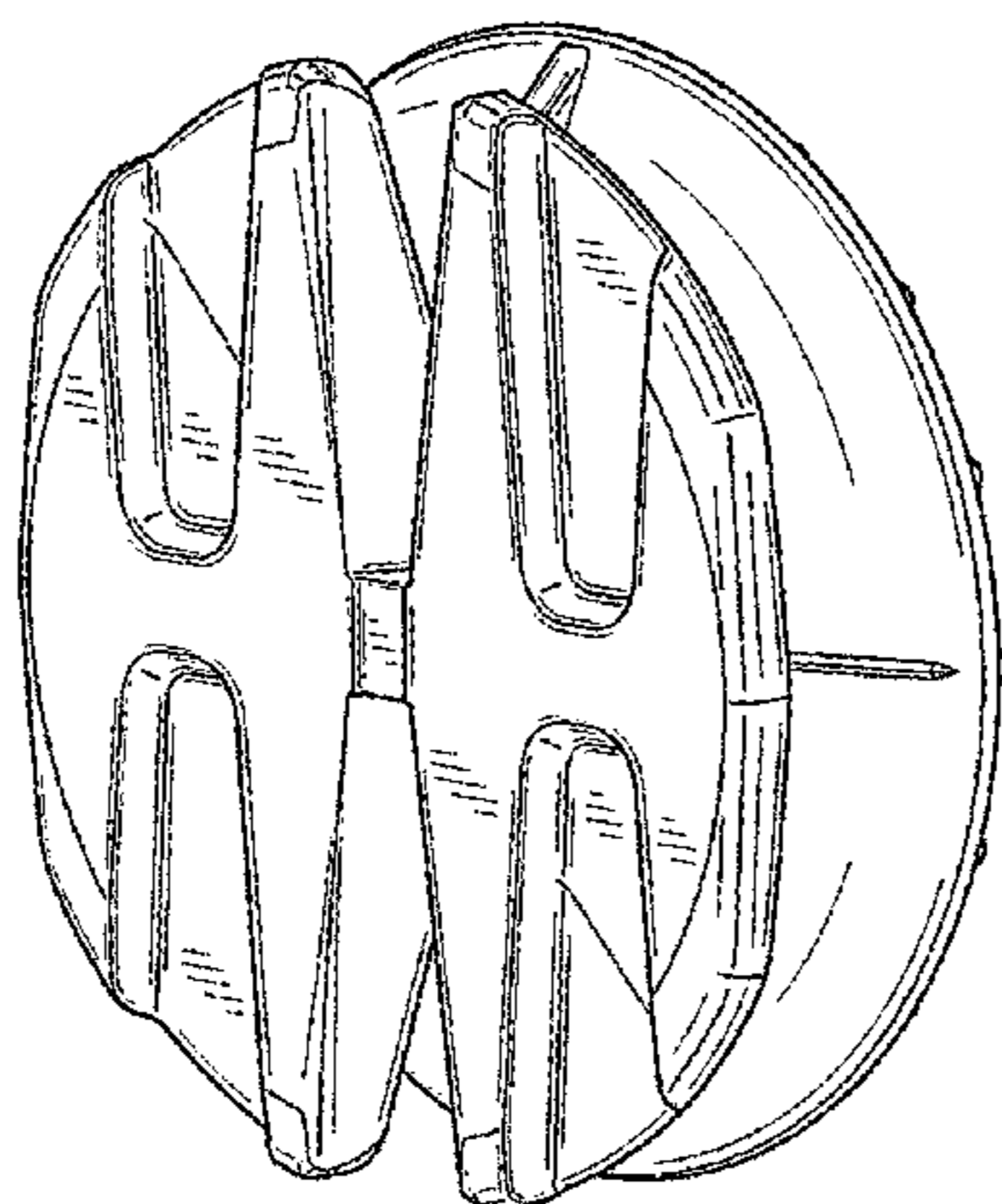
(57) **CLAIM**

The ornamental design for a base mount support, as shown and described.

DESCRIPTION

FIG. 1 is a front perspective view of a base mount support, showing my new design;
 FIG. 2 is a front elevation view thereof;
 FIG. 3 is a rear elevation view thereof;
 FIG. 4 is a right side elevation view thereof;
 FIG. 5 is a left side elevation view thereof;
 FIG. 6 is a top plan view thereof; and,
 FIG. 7 is a bottom plan view thereof.
 The dashed lines in the drawing views depict portions of the design that form no part of the claim.

1 Claim, 4 Drawing Sheets



(56)

References Cited

U.S. PATENT DOCUMENTS

D674,273	S	*	1/2013	Yogev	D8/382
D696,932	S	*	1/2014	Rodenhous	D8/399
D716,636	S	*	11/2014	McDonald	D8/354
D716,637	S	*	11/2014	McDonald	D8/354
D716,638	S	*	11/2014	McDonald	D8/354
D749,941	S	*	2/2016	Rodenhous	D8/399
D752,952	S	*	4/2016	Barz	D8/349
D756,200	S	*	5/2016	McDonald	D8/354
D769,108	S	*	10/2016	Eberl	D8/354
D769,705	S	*	10/2016	Moreau	D11/201
D803,037	S	*	11/2017	Maloney	D8/382

* cited by examiner

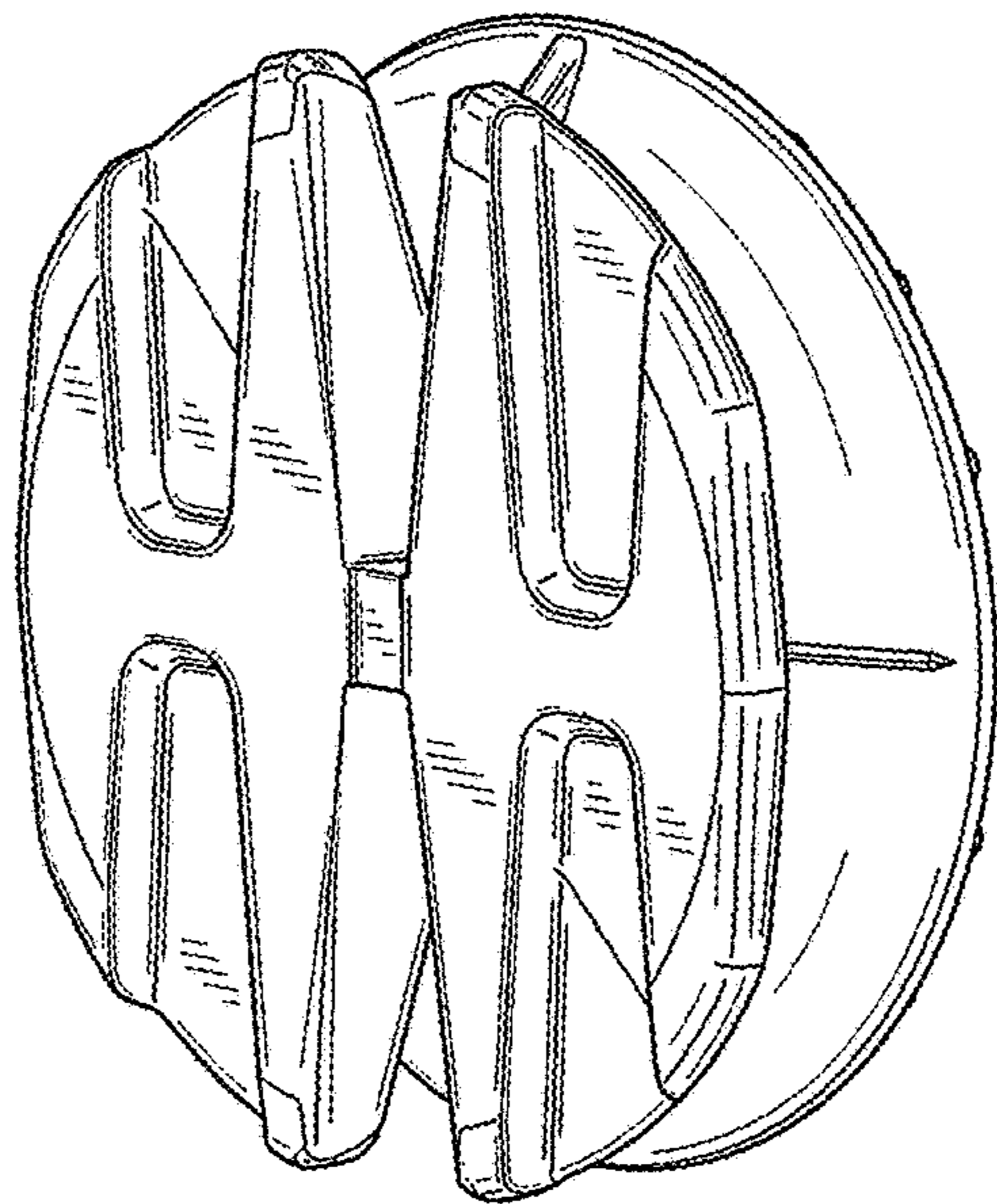


FIG. 1

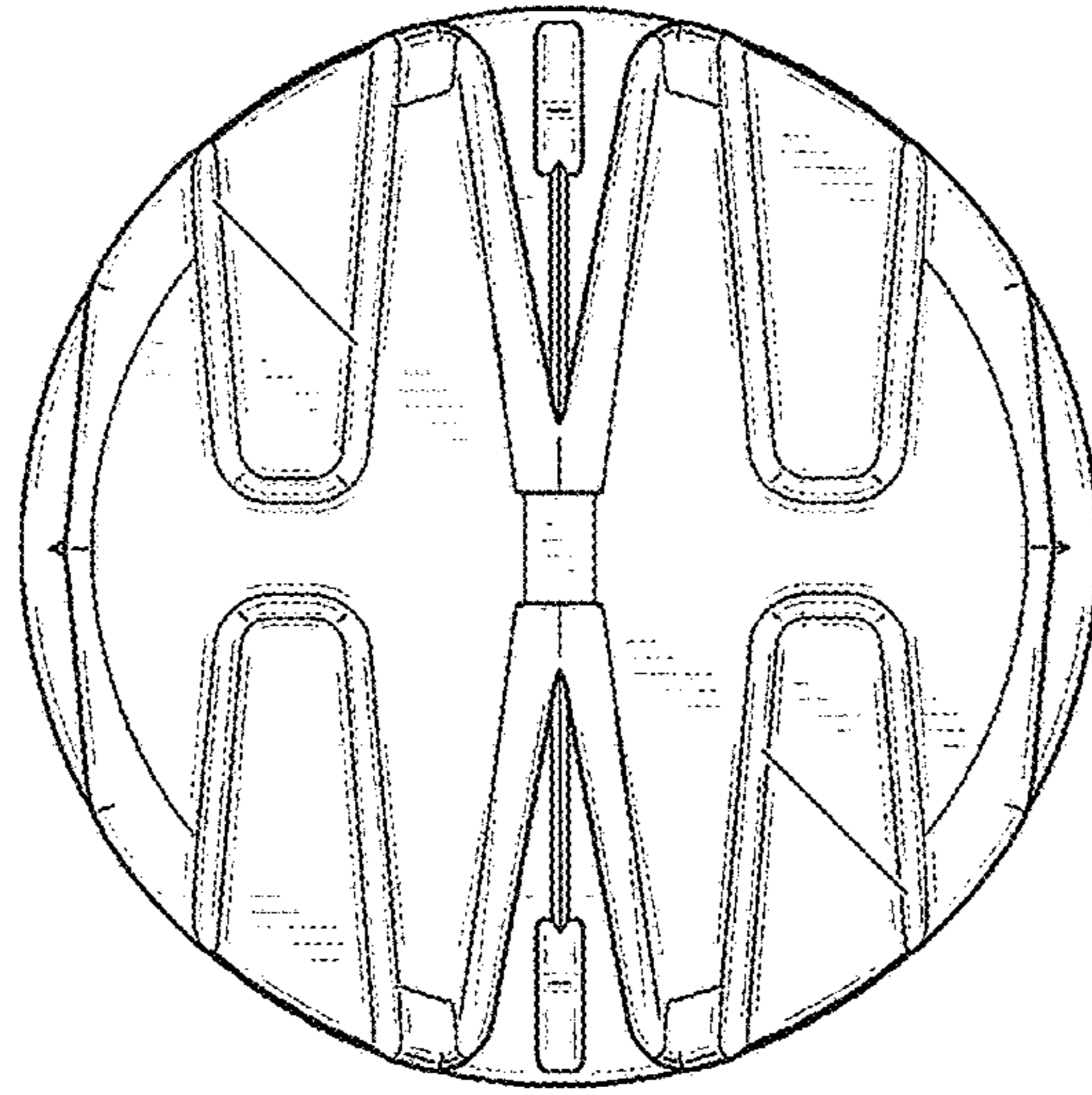


FIG. 2

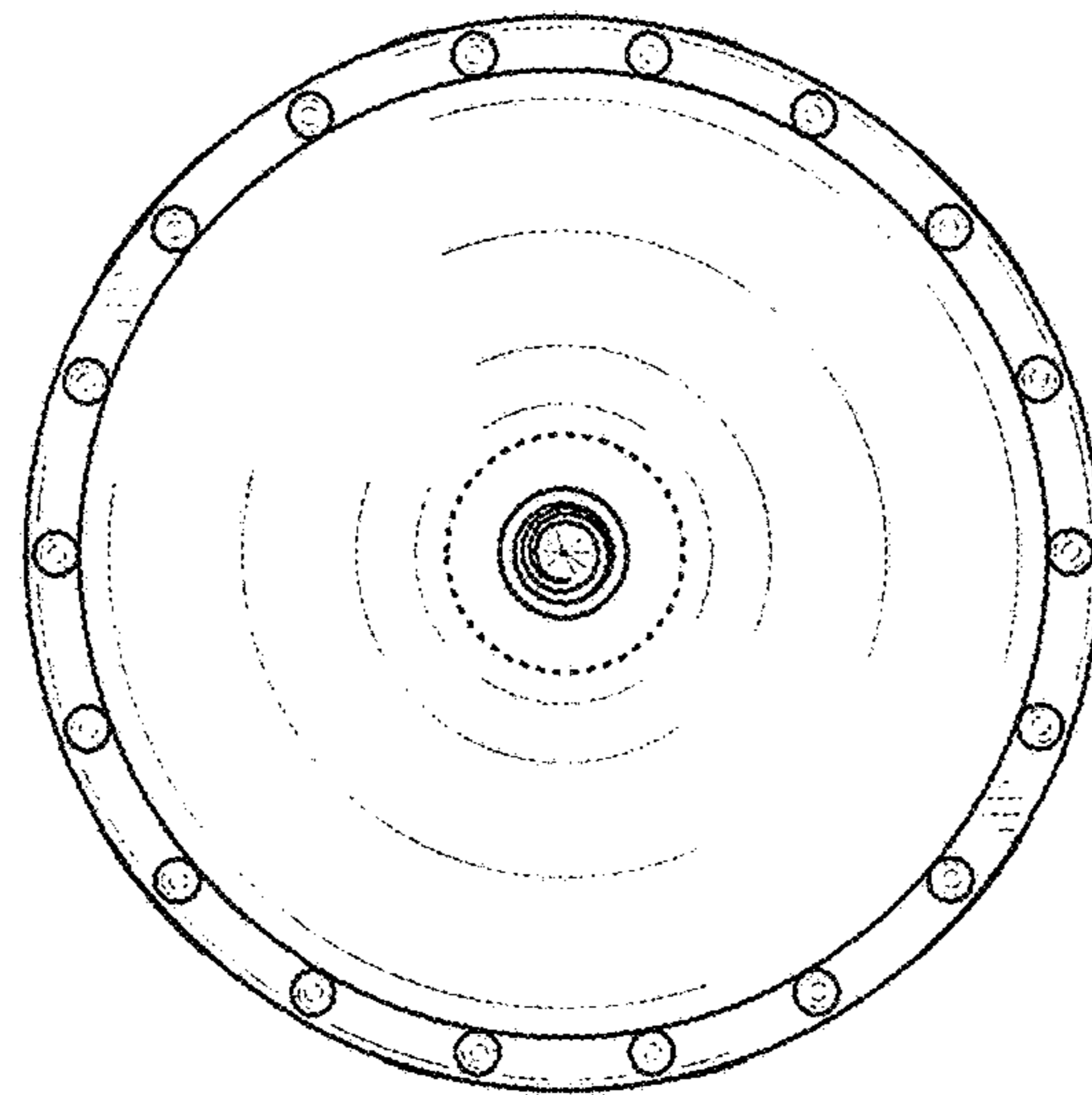


FIG. 3

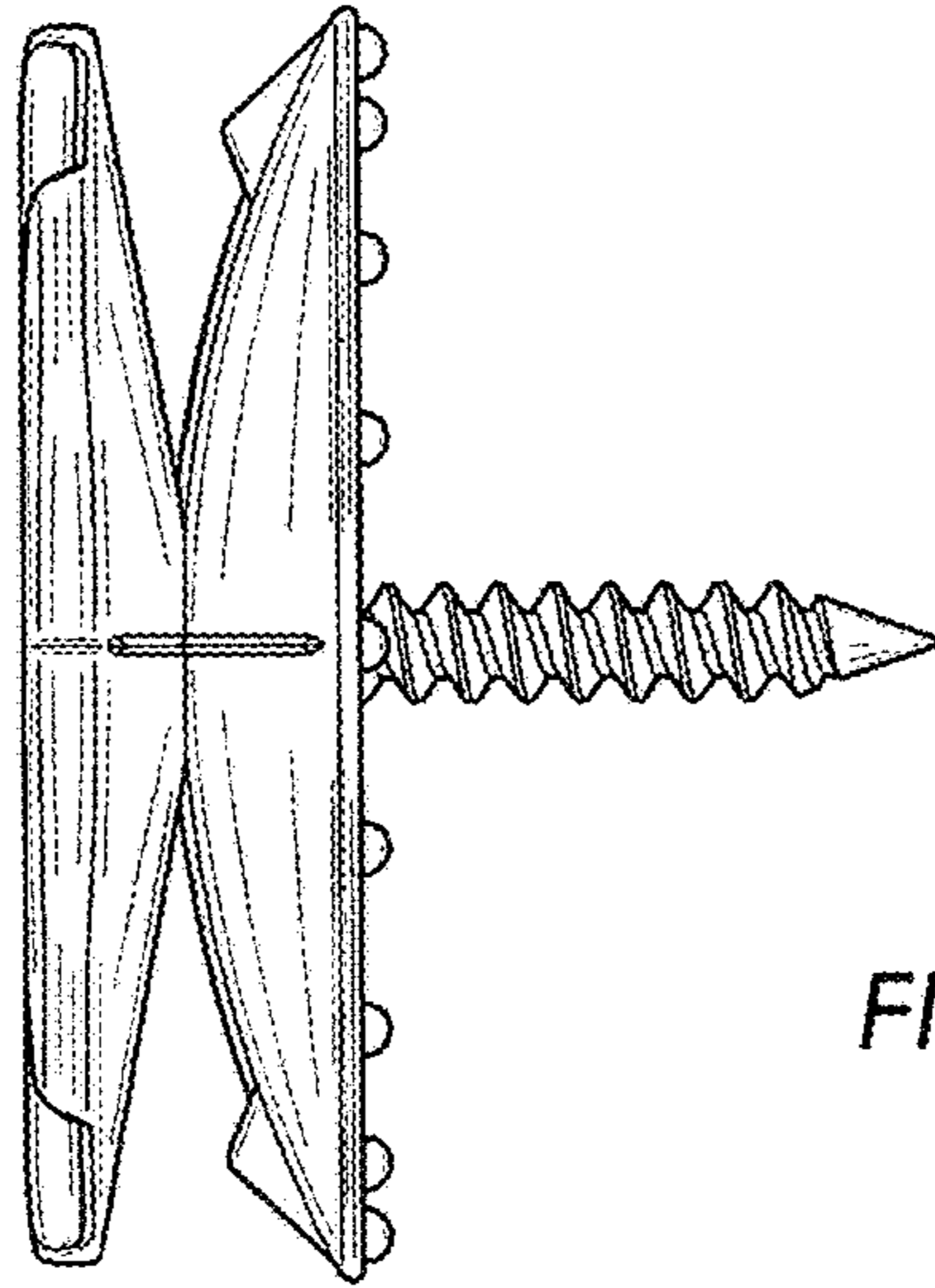


FIG. 4

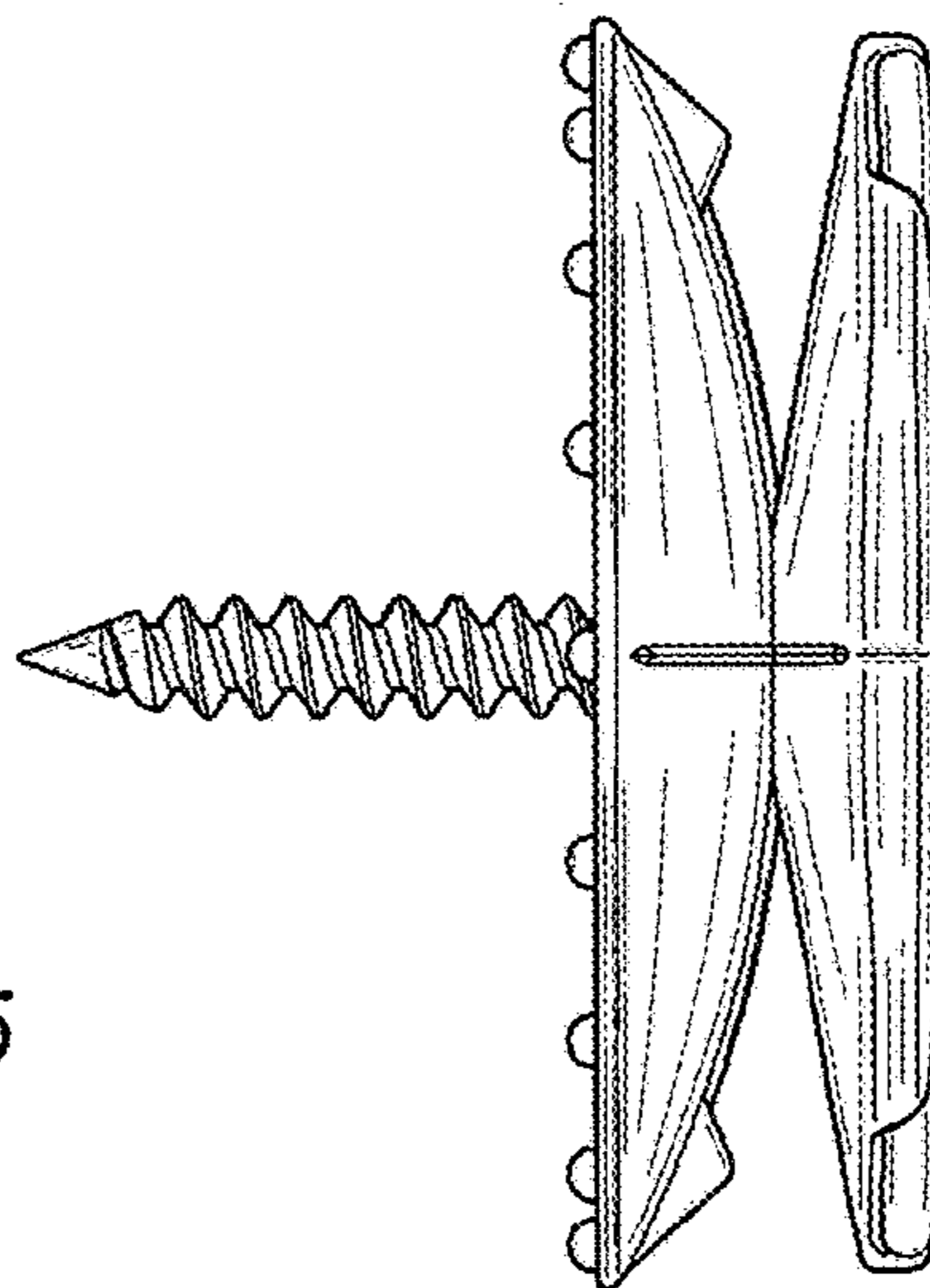


FIG. 5

