

US00D862213S

(12) **United States Design Patent**
Stener

(10) **Patent No.:** **US D862,213 S**

(45) **Date of Patent:** **** Oct. 8, 2019**

(54) **ADAPTER FOR SUPPORTING AN ELECTRONIC DEVICE**

(71) Applicant: **Wild West Investments, LLC**, Dallas, TX (US)

(72) Inventor: **Gavin Stener**, Dallas, TX (US)

(73) Assignee: **Wild West Investments, LLC**, Dallas, TX (US)

(**) Term: **15 Years**

(21) Appl. No.: **29/686,974**

(22) Filed: **Apr. 9, 2019**

Related U.S. Application Data

(60) Continuation of application No. 29/663,162, filed on Sep. 12, 2018, now Pat. No. Des. 845,111, which is a division of application No. 29/654,050, filed on Jun. 20, 2018, now Pat. No. Des. 838,579.

(51) **LOC (12) Cl.** **08-05**

(52) **U.S. Cl.**
USPC **D8/380**

(58) **Field of Classification Search**

USPC D14/371-382, 125-129, 336, 337, D14/447-452, 492, 335, 239, 457, D14/439-441, 432, 251-253, 413, 416; D8/349, 354, 363, 373, 376, 380, 356, D8/377, 381; D21/333, 565; D12/133, D12/415; D3/10, 218; 348/180, 184, 348/325, 739, 825; 248/323, 278.1, 248/286.1; D6/580; D13/122; D25/119, D25/124
CPC G06F 3/0412; G06F 3/016; G06F 3/0488; G06F 3/011; G06F 3/038; G06F 3/03543; G06F 3/0338; G06F 3/0202; G06F 3/0219; G06F 3/0213; G06F 1/1616; G06F 3/023; G06F 3/04883; G02F 1/13338; G02F 1/1313; G02F 1/1333; G02F 1/135; G02F 1/132; G02F

1/133308; G02F 1/134309; G02F 1/13718; G09G 3/3648; G06K 15/1252; B41J 2/465; G03F 7/70291; G02B 27/0172; G02B 5/30; G02B 2027/0118; G02B 27/0101; F16M 13/02; F16M 13/00; F16M 11/10; F16M 11/04; F16M 2200/08; F16M 11/2021; A47B 21/0314; A47B 88/044; A47B 2021/0335; H02G 3/126; F16B 47/00; F16B 47/006; A47G 1/17; A47K 2201/00

See application file for complete search history.

(56) **References Cited**

U.S. PATENT DOCUMENTS

D251,467 S 4/1979 Anderson
D290,719 S 7/1987 Holloway
D291,785 S 9/1987 Rahme
4,948,313 A 8/1990 Zankovich

(Continued)

Primary Examiner — Katie Jane Stofko

(74) *Attorney, Agent, or Firm* — Dentons US LLP

(57) **CLAIM**

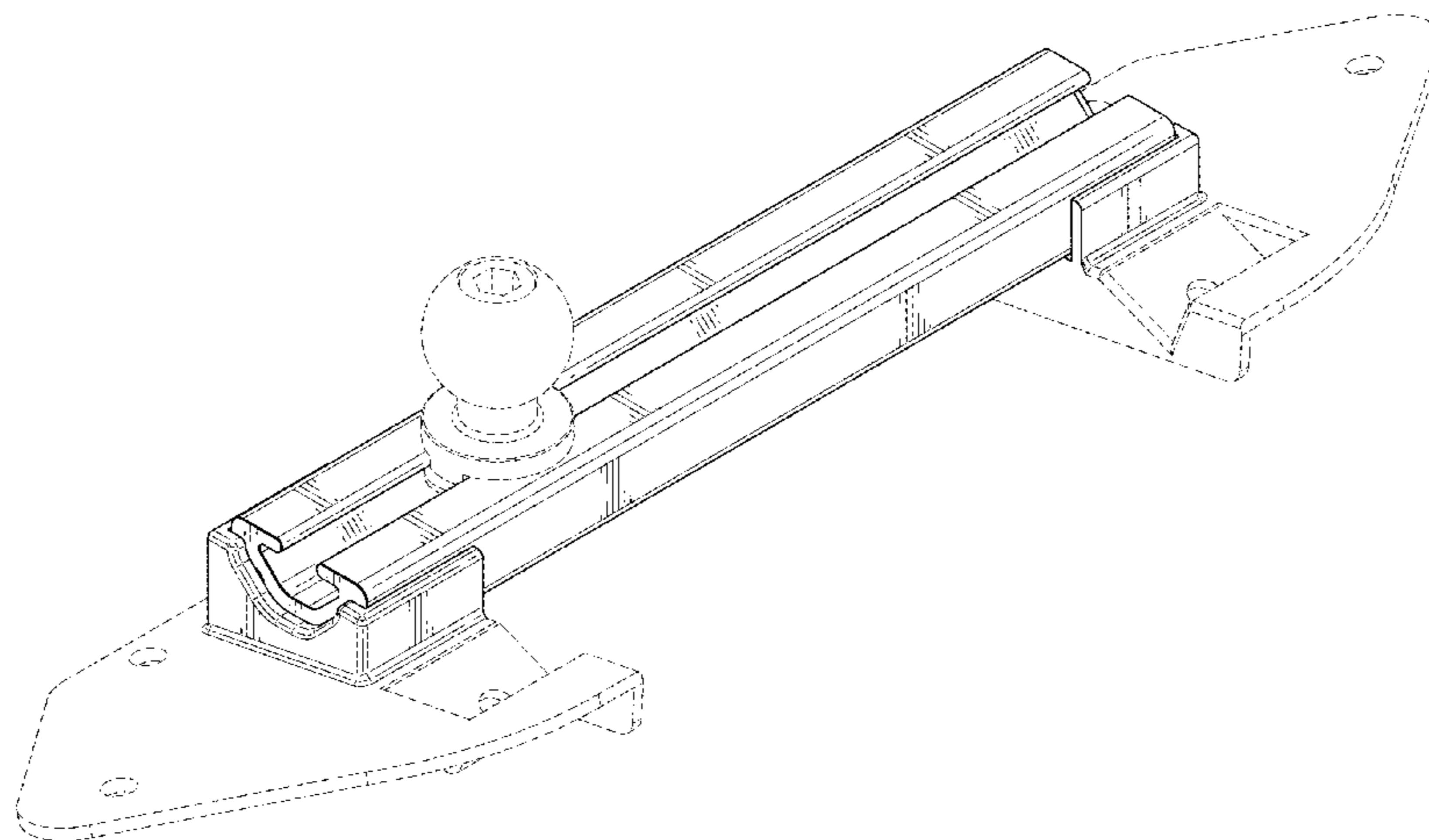
An ornamental design for an adapter for supporting an electronic device, as shown and described.

DESCRIPTION

FIG. 1 is a front, top, left perspective view of an adapter for supporting an electronic device;
FIG. 2 is a front elevation view thereof;
FIG. 3 is a rear elevation view thereof;
FIG. 4 is a right side elevation view thereof;
FIG. 5 is a left side elevation view thereof;
FIG. 6 is a top plan view thereof; and,
FIG. 7 is a bottom plan view thereof.

The broken lines in FIGS. 1-7 illustrate portions of the adapter for supporting an electronic device that form no part of the claimed design.

1 Claim, 4 Drawing Sheets



(56)

References Cited

U.S. PATENT DOCUMENTS

D317,331 S 6/1991 Holloway
 D357,400 S 4/1995 Sachs
 D360,571 S 7/1995 Perry
 D373,761 S 9/1996 Yu
 D374,165 S 10/1996 Marshall
 D390,709 S 2/1998 Moore
 D401,496 S 11/1998 Lambert et al.
 5,855,342 A 1/1999 Hawkins et al.
 D409,182 S 5/1999 Tyler
 5,927,041 A 7/1999 Sedlmeier et al.
 5,984,243 A 11/1999 Pfaller et al.
 D443,566 S 6/2001 Peterson
 D554,137 S 10/2007 Richter
 7,401,995 B2 7/2008 Senakiewich, II
 7,448,822 B2 11/2008 Nebeker et al.
 D592,487 S 5/2009 Tedesco et al.
 7,604,444 B2 10/2009 Wu
 D657,783 S 4/2012 Mo
 D673,443 S 1/2013 Elrod
 D674,681 S 1/2013 Gorman
 D686,622 S 7/2013 Rey
 8,497,760 B2 7/2013 Whalen et al.
 D691,027 S 10/2013 Rainer
 D699,176 S * 2/2014 Salomon D13/102
 D718,298 S 11/2014 Aspinall
 D723,559 S 3/2015 Hein
 D732,519 S 6/2015 Aspinall
 D733,116 S 6/2015 Aspinall

D736,595 S * 8/2015 Moore D13/102
 D740,589 S 10/2015 Ng
 D741,689 S 10/2015 Metzler
 D748,640 S 2/2016 Hart
 D749,405 S * 2/2016 White D8/380
 D753,983 S 4/2016 Toyne
 D754,527 S 4/2016 Green et al.
 D759,465 S 6/2016 Reed
 D760,066 S 6/2016 Krenek
 9,494,400 B1 11/2016 Allemann et al.
 9,506,600 B1 * 11/2016 Li H02S 20/00
 D780,480 S * 3/2017 Prince D6/580
 9,671,060 B1 6/2017 Cifers
 D792,418 S 7/2017 Stener
 9,717,329 B2 8/2017 Hazzard et al.
 D799,067 S * 10/2017 Forsberg D25/119
 D807,152 S 1/2018 Hansen
 D810,008 S 2/2018 Mollison et al.
 9,923,511 B2 * 3/2018 Xie H02S 30/10
 D816,373 S * 5/2018 Schwandt D6/580
 10,027,273 B2 * 7/2018 West H02S 20/23
 D828,482 S * 9/2018 Alldredge D22/110
 2004/0251388 A1 12/2004 Williams
 2005/0045779 A1 3/2005 Nan
 2007/0120036 A1 5/2007 Olle et al.
 2010/0276558 A1 * 11/2010 Faust F24S 25/61
 2012/0045276 A1 2/2012 Carnevali
 2013/0248668 A1 9/2013 Lu et al.
 2015/0030386 A1 1/2015 Carnevali
 2018/0306233 A1 10/2018 Burton

* cited by examiner

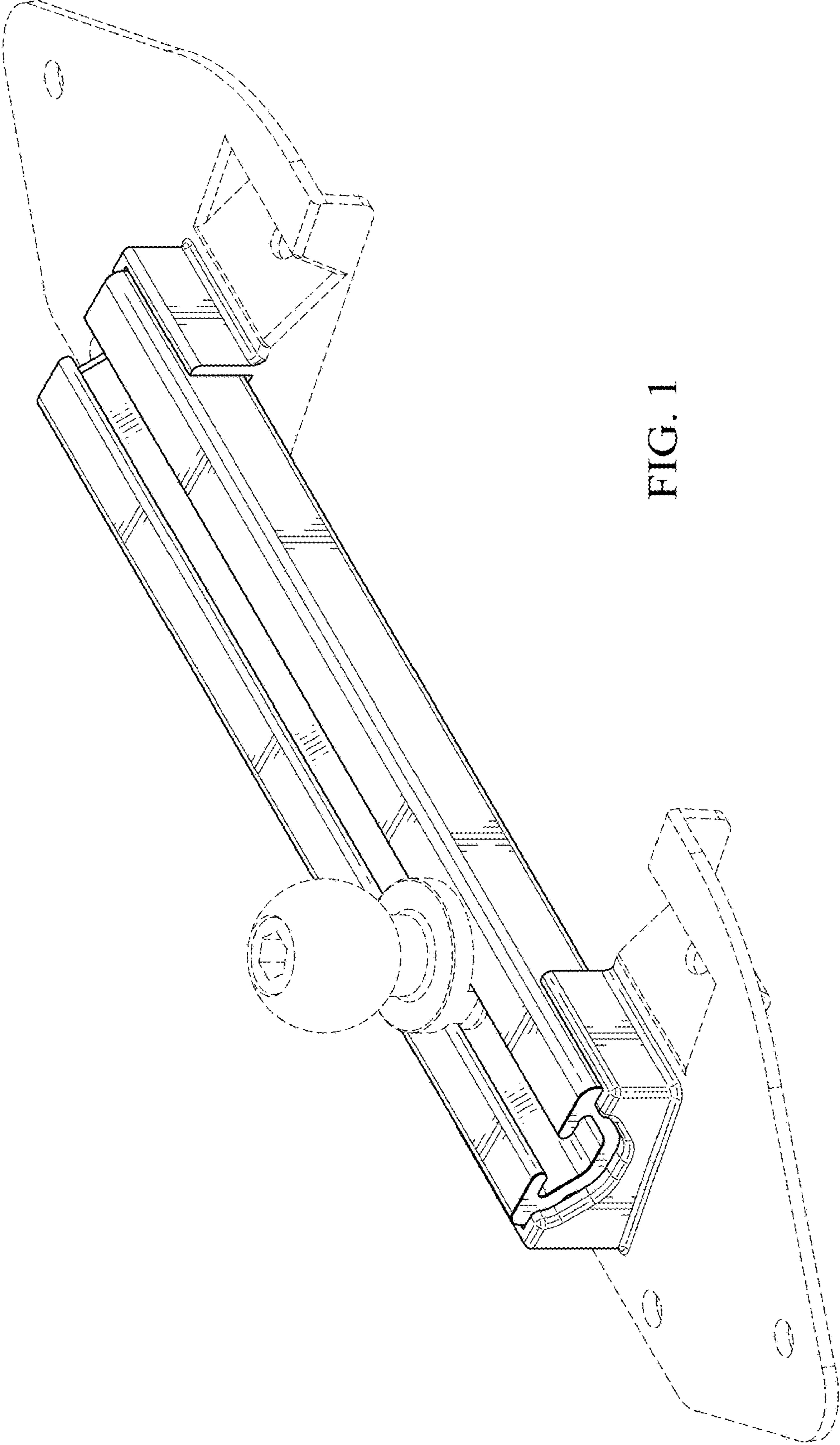


FIG. 1

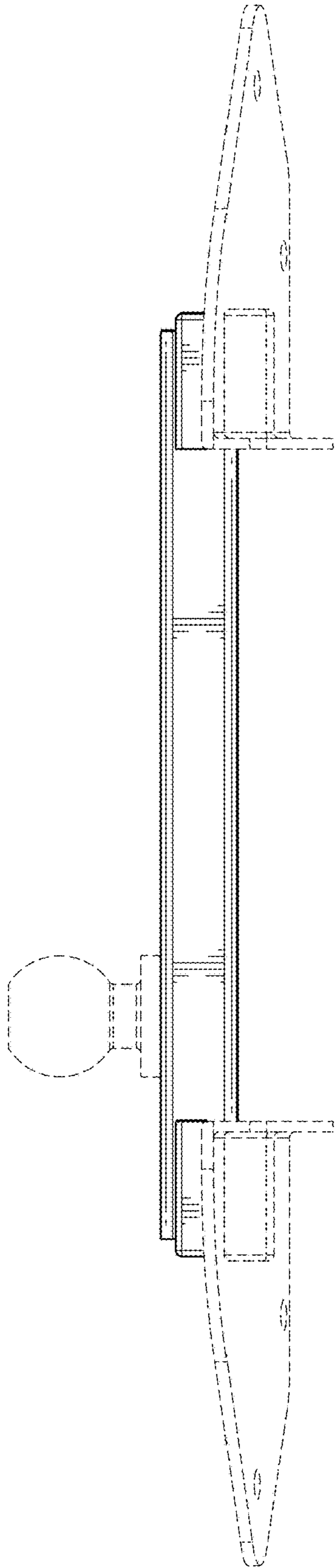


FIG. 2

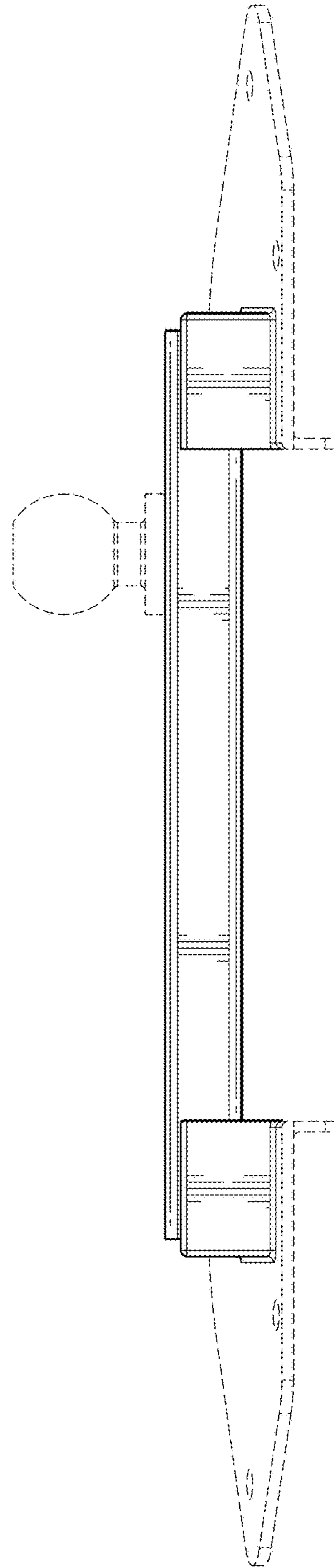


FIG. 3

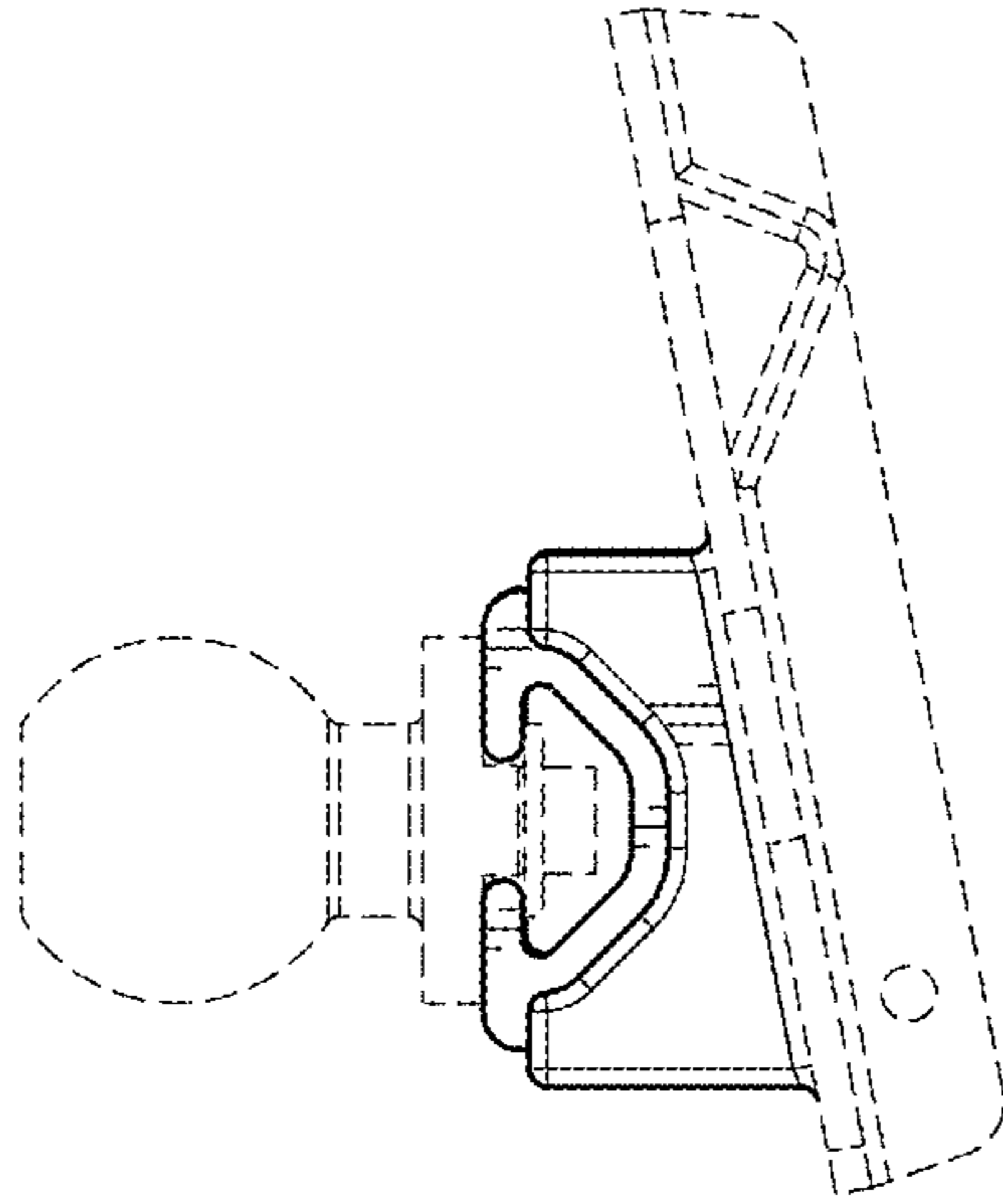


FIG. 5

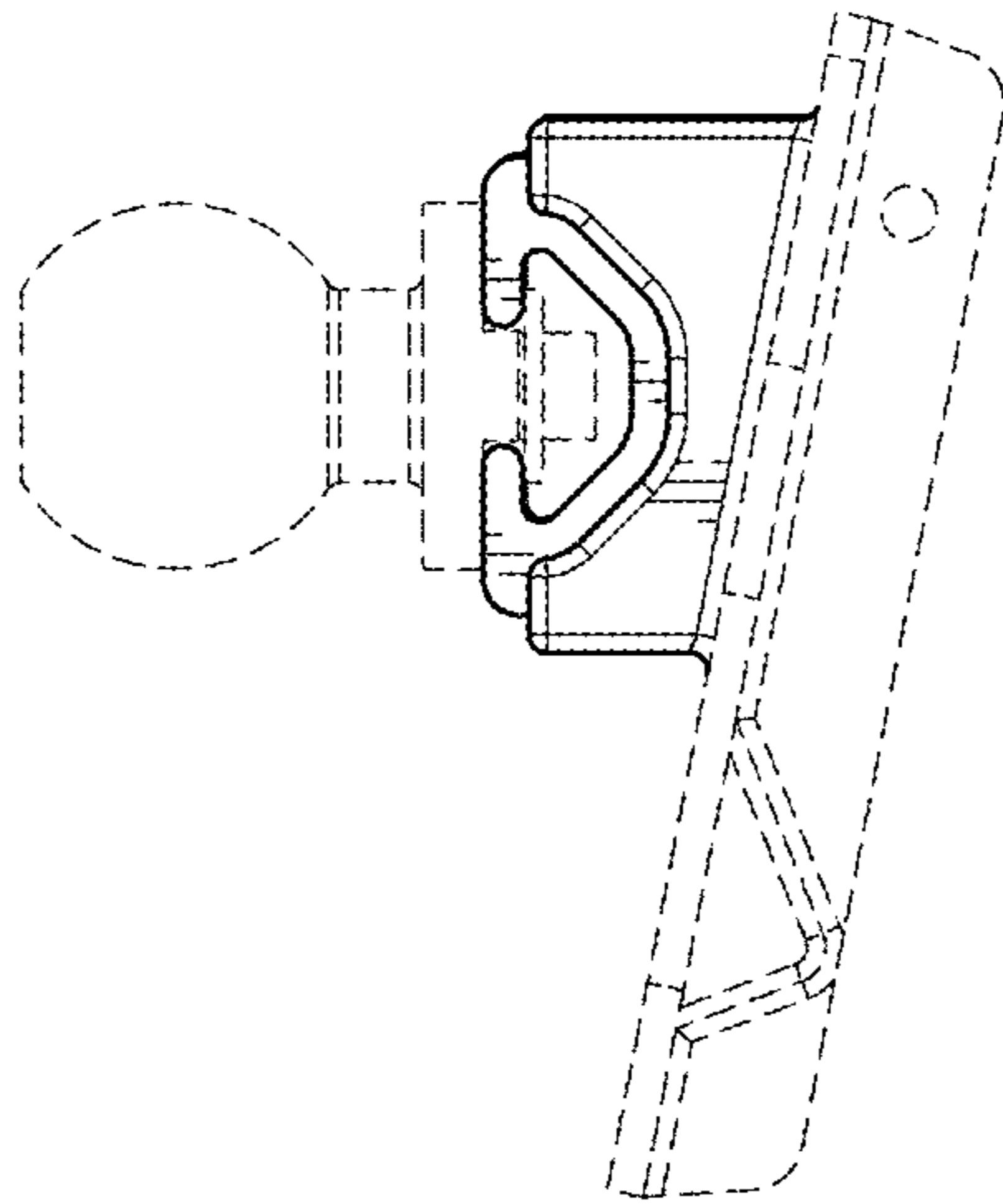


FIG. 4

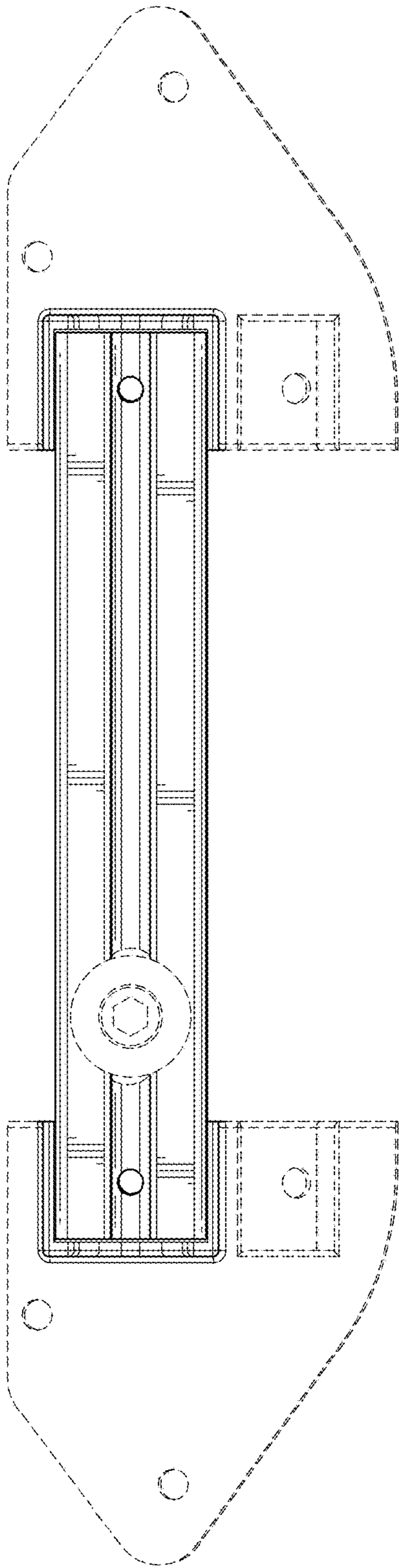


FIG. 6

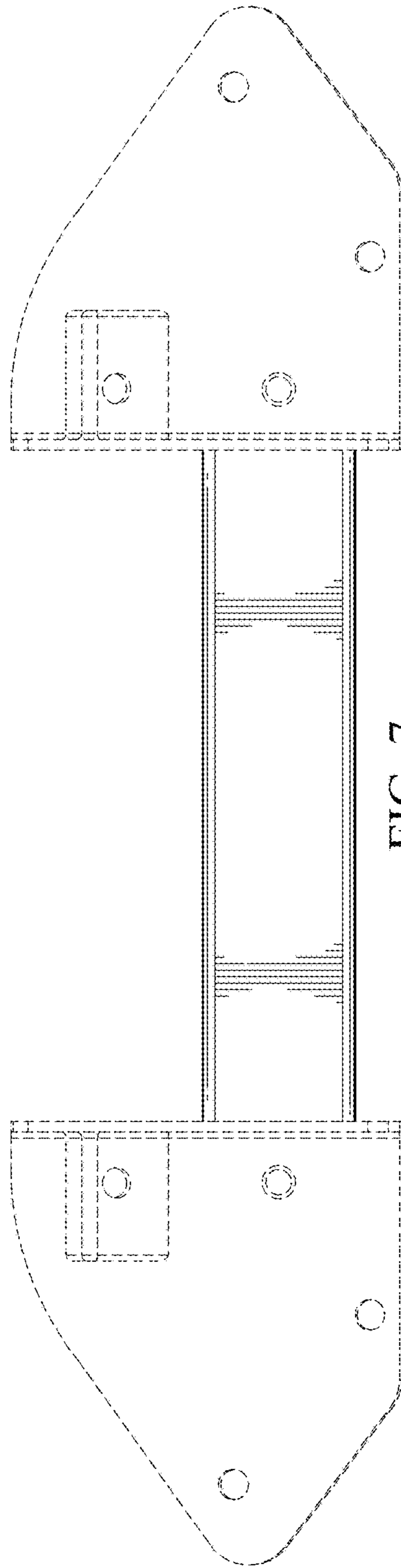


FIG. 7