



US00D862212S

(12) **United States Design Patent**  
**Moriarty**

(10) **Patent No.:** **US D862,212 S**

(45) **Date of Patent:** **\*\* Oct. 8, 2019**

(54) **FURNITURE PROTECTOR**

(71) Applicant: **William R. Moriarty**, Berwyn, PA  
(US)

(72) Inventor: **William R. Moriarty**, Berwyn, PA  
(US)

(\*\*) Term: **15 Years**

(21) Appl. No.: **29/613,218**

(22) Filed: **Aug. 8, 2017**

(51) **LOC (12) Cl.** ..... **08-05**

(52) **U.S. Cl.**  
USPC ..... **D8/374**

(58) **Field of Classification Search**  
USPC ..... D8/47, 321, 322, 354, 373, 374, 402;  
D27/133; D2/897, 900, 919; D7/549,  
D7/553.1, 554.1, 554.2, 555; D25/48.5;  
D30/108, 113, 114, 119  
CPC .. A24F 19/00; A24F 19/0014; A24F 19/0035;  
A24F 19/0071; A01M 2200/012; A01M  
1/04; A01M 1/145; A01M 1/08; A01M  
1/2016; F16M 7/00; F16M 11/10; A47B  
91/02; A47C 7/002; A47C 3/38; A01K  
1/0017; A01K 1/0023; A01K 1/0029;  
E05B 65/0007; E05C 1/04; E06B  
2009/002; E06B 9/02; E06B 9/04; E05Y  
2201/264; E05Y 2201/256; E05Y  
2900/531; E05F 3/02; E05F 5/06; E05F  
5/025; E04F 13/0848; E04F 15/04; B60R  
2013/0281

See application file for complete search history.

(56) **References Cited**

**U.S. PATENT DOCUMENTS**

D166,994 S \* 6/1952 Poglein ..... D27/133  
D172,171 S \* 5/1954 Peister ..... D27/133  
D173,595 S \* 11/1954 Sulak ..... 131/240.1

D257,123 S \* 9/1980 Farmer, Jr. .... 16/82  
D258,316 S \* 2/1981 Duin ..... D27/133  
D294,670 S \* 3/1988 Kurtz ..... D27/133  
D408,268 S \* 4/1999 Dunn ..... D8/354  
D426,495 S \* 6/2000 Vaccaro ..... D12/133  
D470,038 S \* 2/2003 Lapp, Jr. .... D8/363  
D703,030 S \* 4/2014 Seehoff ..... D8/374  
D793,163 S \* 8/2017 Goldmeier ..... D7/504  
D793,211 S \* 8/2017 Exley ..... D8/374  
2015/0305318 A1\* 10/2015 Moriarty ..... A01M 1/02  
43/113

**OTHER PUBLICATIONS**

Tower Trap Bed Bug and Flea Trap for Bed Posts and Furniture  
Legs, Red and Grey Colors, Set of 4 Traps, posted May 14, 2018,  
[retrieved Jun. 22, 2018]. Retrieved from Internet, <URL: <https://www.amazon.com/Tower-Trap-Posts-Furniture-Colors/dp/B078X3SZLH>>.\*

(Continued)

*Primary Examiner* — Barbara Fox  
*Assistant Examiner* — Kristin E Reed  
(74) *Attorney, Agent, or Firm* — Larisa Migachyov

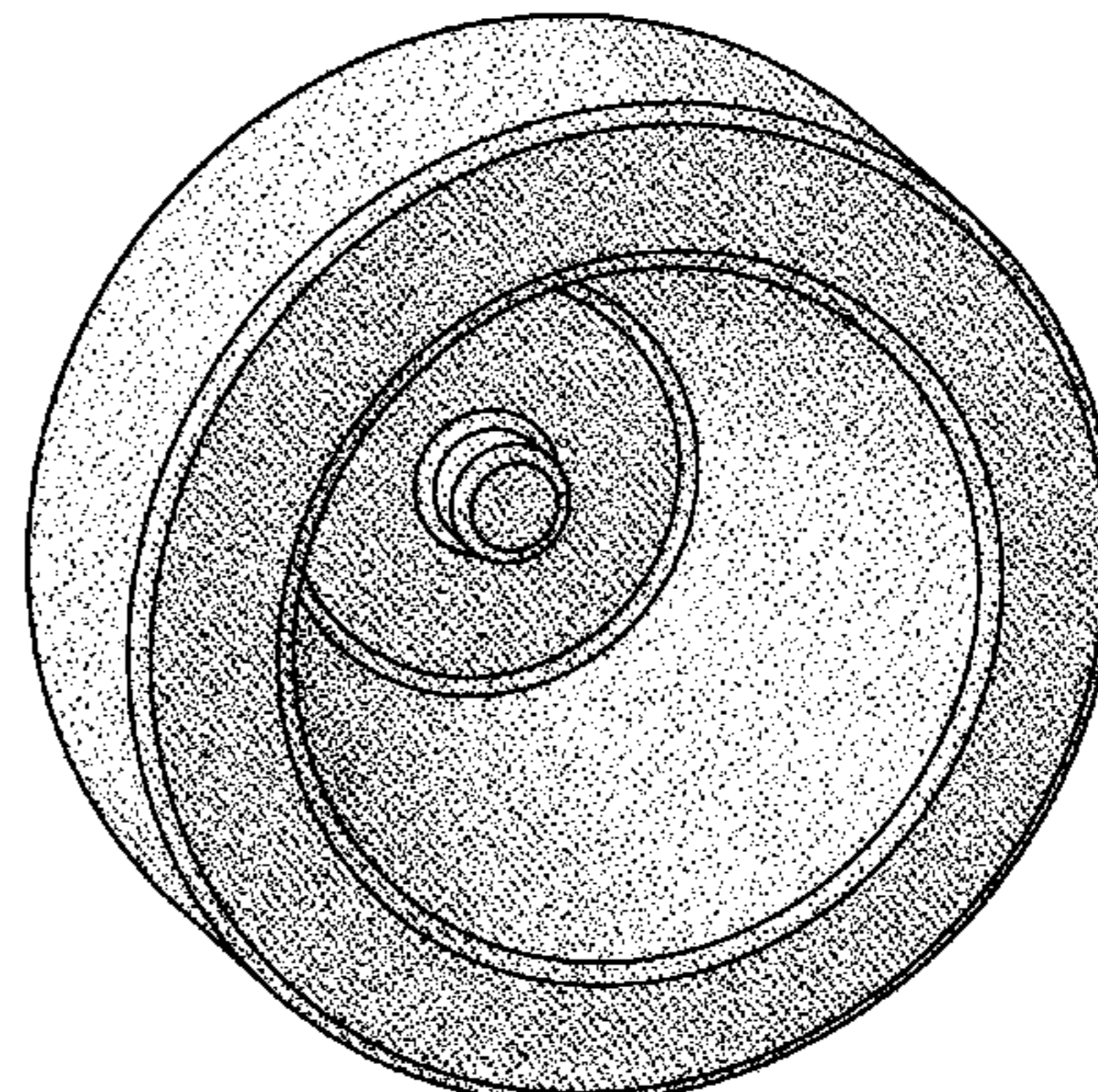
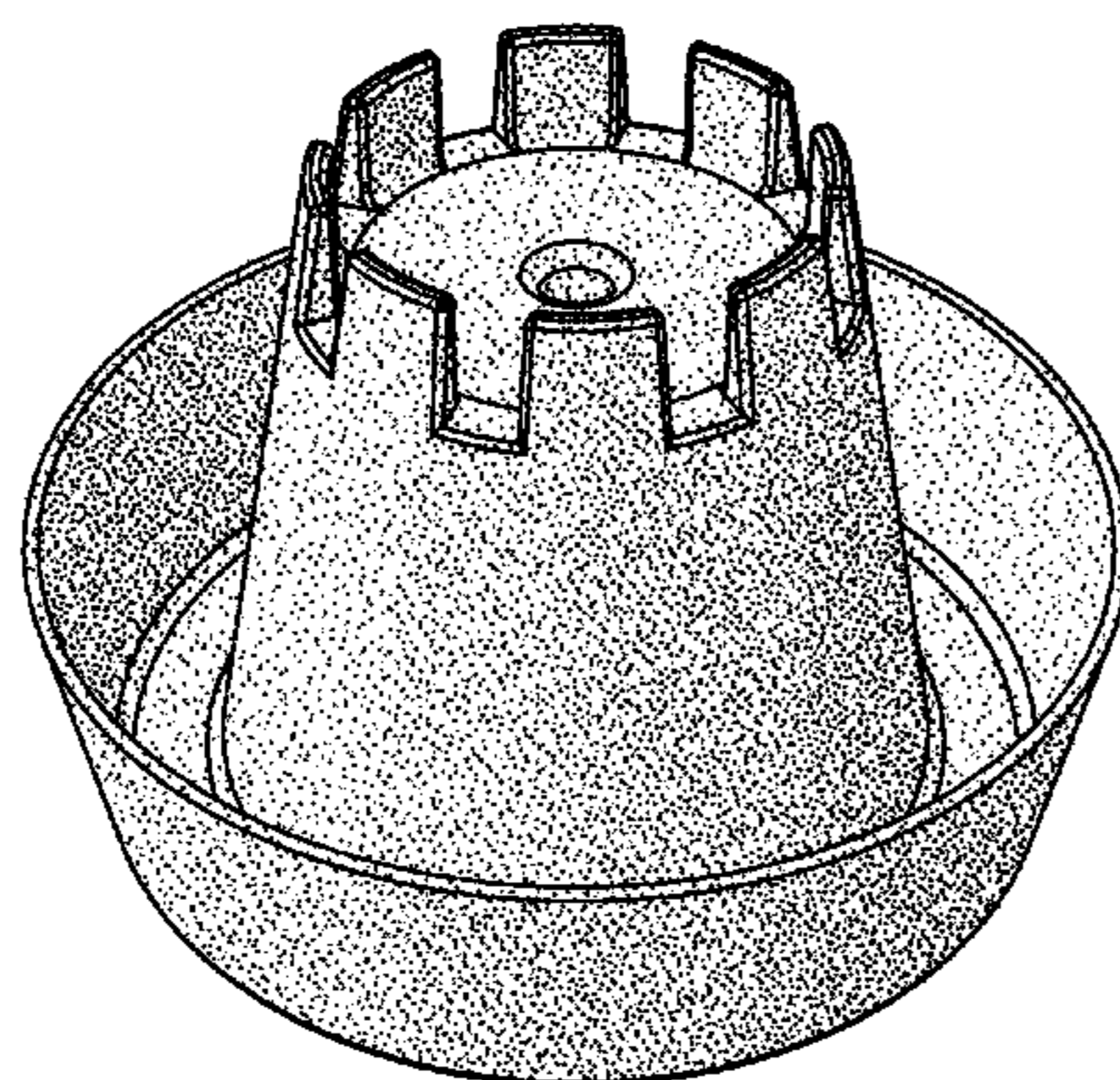
(57) **CLAIM**

The ornamental design for a furniture protector, as shown  
and described.

**DESCRIPTION**

FIG. 1 is an isometric view of a furniture protector of the  
present invention, showing my new design;  
FIG. 2 is an isometric view of a furniture protector of the  
present invention, showing my new design;  
FIG. 3 is a front view of a furniture protector of the present  
invention, showing my new design;  
FIG. 4 is a top view of a furniture protector of the present  
invention, showing my new design; and,  
FIG. 5 is a bottom view of a furniture protector of the present  
invention, showing my new design.

**1 Claim, 5 Drawing Sheets**



(56)

**References Cited**

OTHER PUBLICATIONS

LightsOut Bedbug Detector Chemical Free Reusable Pitfall Trap for Furniture or Bed Legs (4-Pack), posted Jan. 21, 2016, [retrieved Jun. 22, 2018]. Retrieved from Internet, <URL: [https://www.amazon.com/dp/B00Z7ZN7W6/ref=sspa\\_dk\\_detail\\_0?psc=1](https://www.amazon.com/dp/B00Z7ZN7W6/ref=sspa_dk_detail_0?psc=1) >.\*

EndTeller Bed Bug Trap—A Set of 4 Interceptor Riser Withstand 3970lbs(each)—No Chemical Eco Friendly Insect Traps Climeup, posted Nov. 1, 2018, [retrieved Jun. 22, 2018]. Retrieved from Internet, <URL: <https://www.amazon.com/EndTeller-Bed-Bug-Trap-Interceptor/dp/B074PLGH1X> >.\*

\* cited by examiner



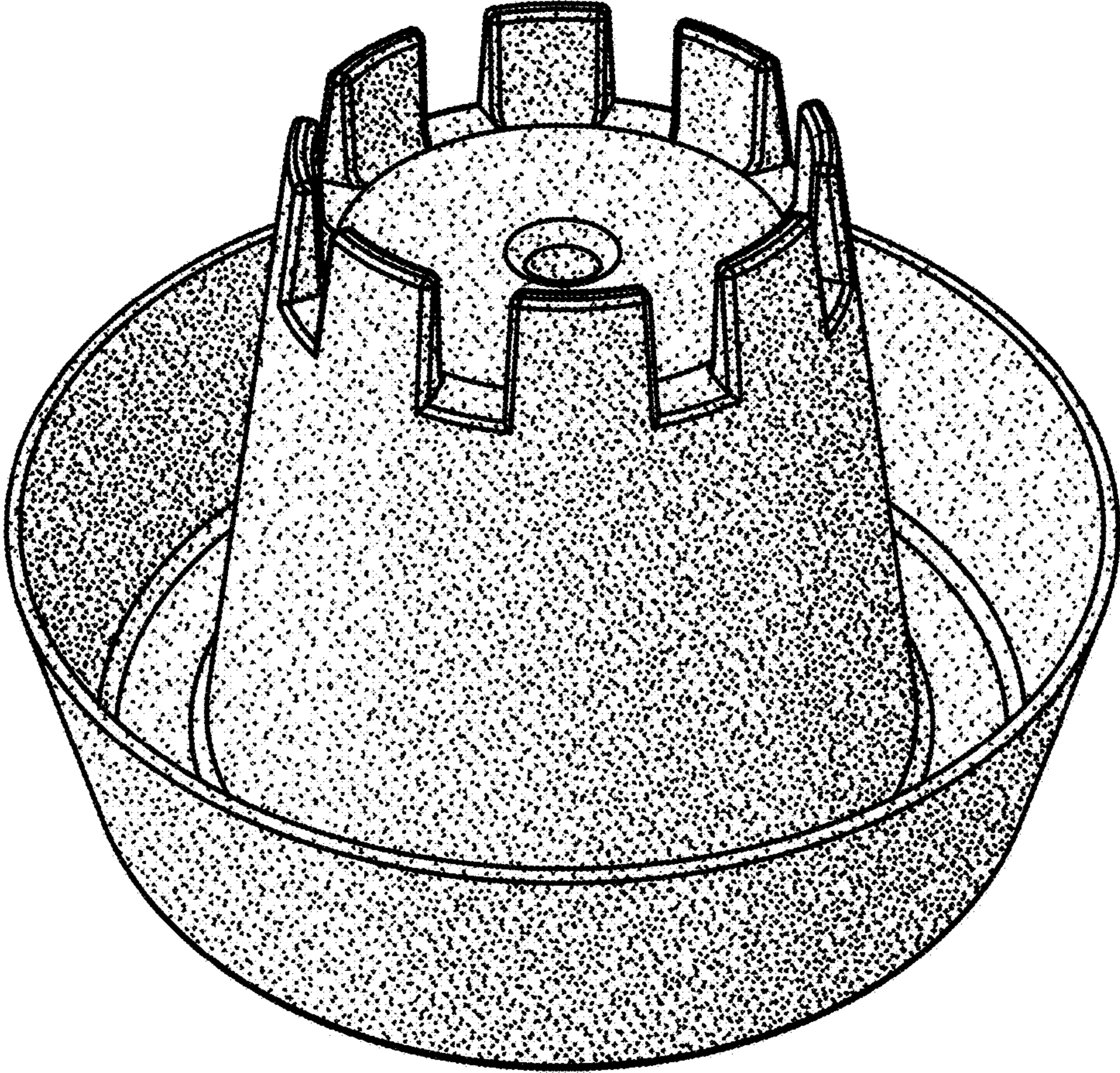


FIG. 1



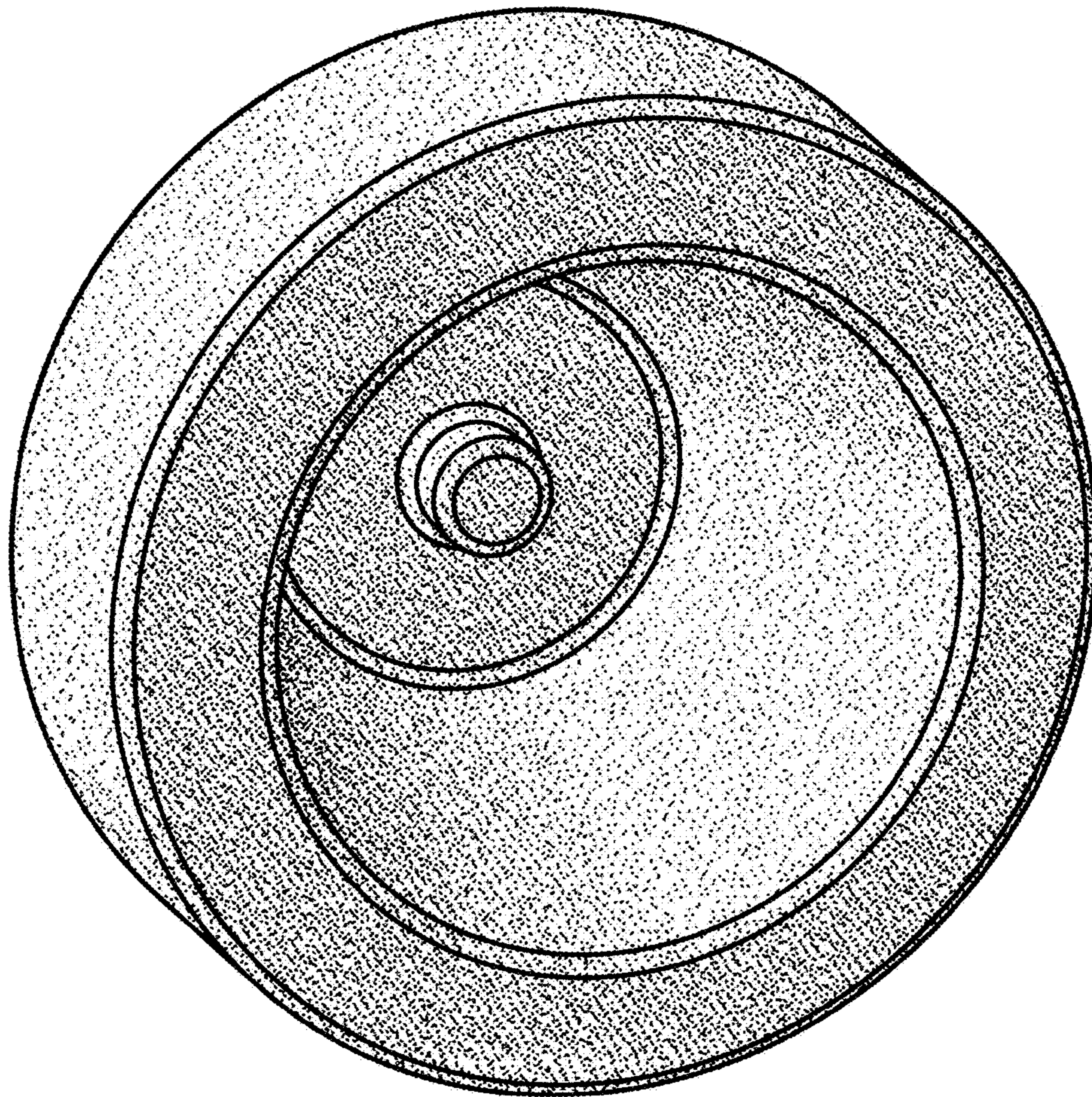


FIG. 2



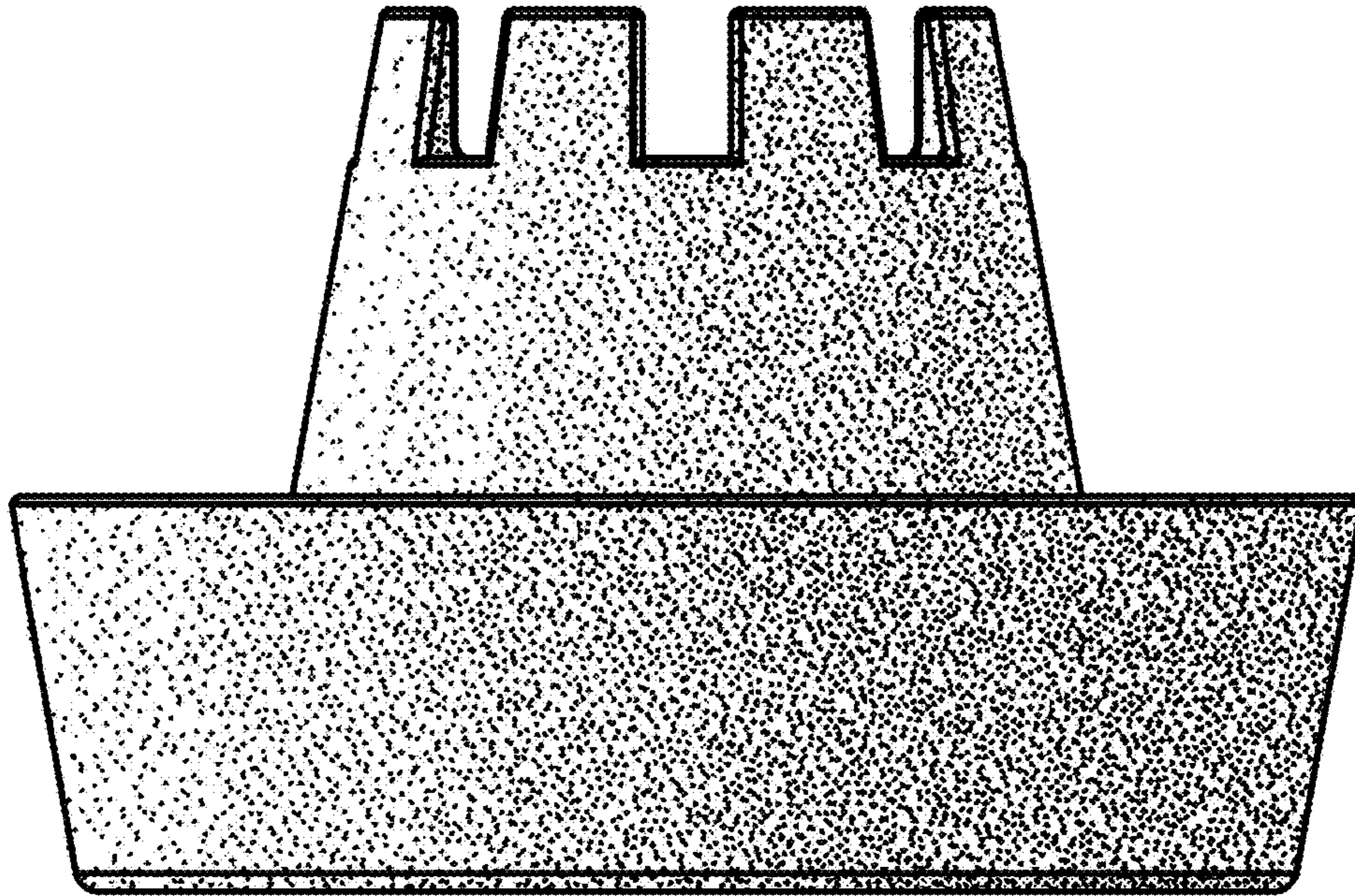


FIG. 3



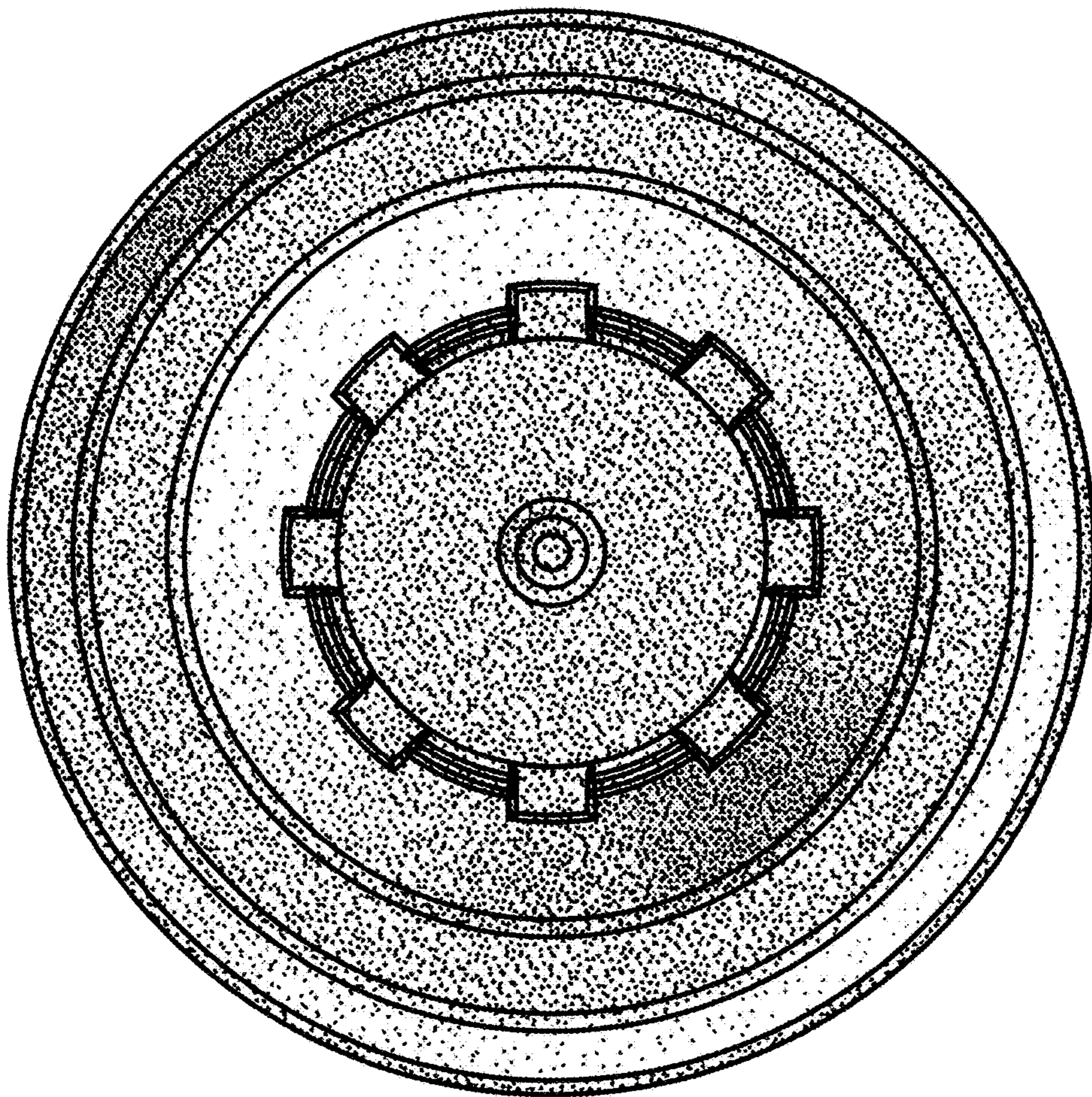


FIG. 4



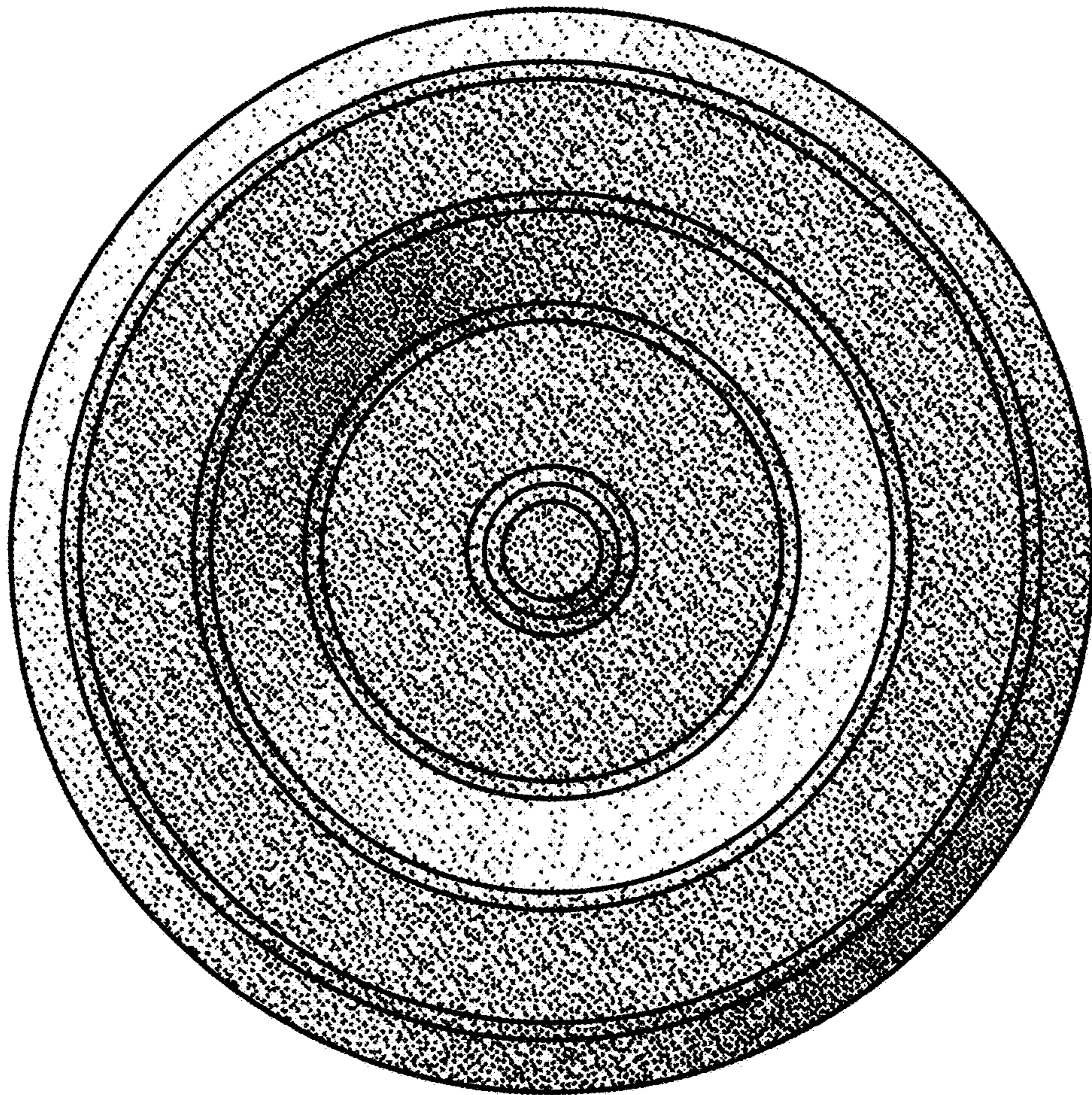


FIG. 5