

US00D862210S

(12) **United States Design Patent**
Orikawa

(10) **Patent No.:** **US D862,210 S**

(45) **Date of Patent:** **** Oct. 8, 2019**

(54) **REMOTE OPERATING HOOK**

(71) Applicant: **NAGAKI SEIKI CO., LTD.**, Daito-shi,
Osaka (JP)

(72) Inventor: **Tomohiro Orikiawa**, Aomori (JP)

(73) Assignee: **NAGAKI SEIKI CO., LTD.**,
Daito-Shi, Osaka (JP)

(**) Term: **15 Years**

(21) Appl. No.: **29/621,072**

(22) Filed: **Oct. 4, 2017**

(30) **Foreign Application Priority Data**

Apr. 7, 2017 (JP) 2017-007483

(51) **LOC (12) Cl.** **08-05**

(52) **U.S. Cl.**
USPC **D8/367; D8/397**

(58) **Field of Classification Search**
USPC D8/367, 356, 354, 349, 18, 105, 368,
D8/397; D11/208, 218; 248/341;
224/217

CPC A45F 5/021; A45F 5/102; A44B 13/0029;
F16B 45/00; F16M 13/02; A45C 13/03
See application file for complete search history.

(56) **References Cited**

U.S. PATENT DOCUMENTS

6,273,658 B1 * 8/2001 Patterson B60B 3/16
301/37.374
D577,795 S * 9/2008 Smith D23/262

D581,777 S * 12/2008 Huang D8/397
D627,039 S * 11/2010 Yu D23/260
D713,715 S * 9/2014 Kury D8/397
D738,714 S * 9/2015 Kuhmichel D8/397
D761,630 S * 7/2016 Li D8/29
D795,398 S * 8/2017 Decaria D23/260
D813,026 S * 3/2018 Wright D8/397
D814,913 S * 4/2018 Baiz D8/387
D840,797 S * 2/2019 Bentley D8/397
D841,454 S * 2/2019 Schuit D8/397
2004/0065376 A1 * 4/2004 Kristofferson F01M 11/0408
138/89
2014/0060260 A1 * 3/2014 Kluhsman, Jr. B25B 27/0035
81/121.1

* cited by examiner

Primary Examiner — Cynthia R Underwood

(74) *Attorney, Agent, or Firm* — Rabin & Berdo, P.C.

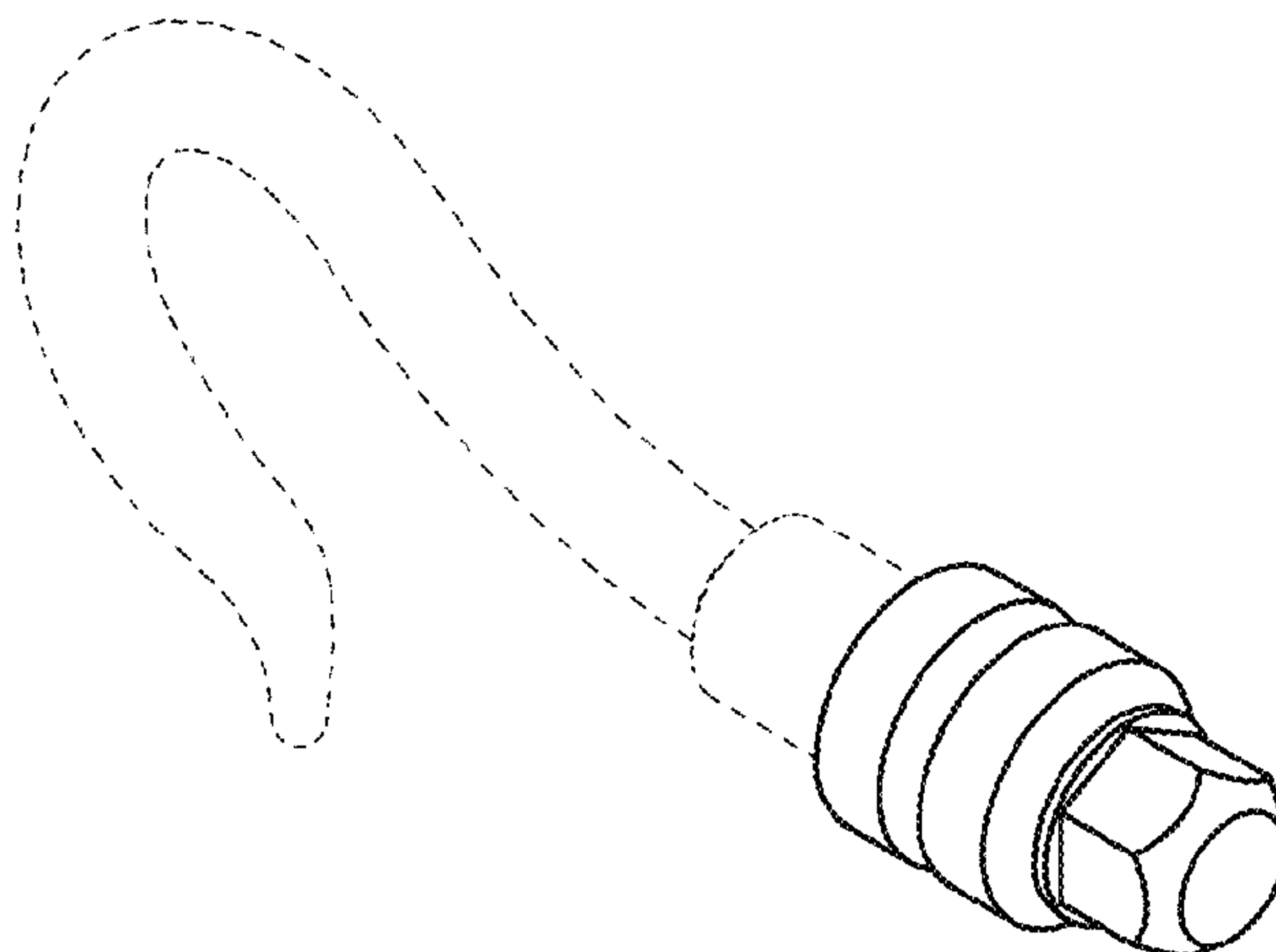
(57) **CLAIM**

The ornamental design for a remote operating hook, as shown and described.

DESCRIPTION

FIG. 1 is a front view of the remote operating hook;
FIG. 2 is a rear view thereof;
FIG. 3 is a top view thereof;
FIG. 4 is a bottom view thereof;
FIG. 5 is a right side view thereof;
FIG. 6 is a left side view thereof; and,
FIG. 7 is a perspective view thereof.
The broken lines illustrate unclaimed subject matter and form no part of the claimed invention.

1 Claim, 2 Drawing Sheets



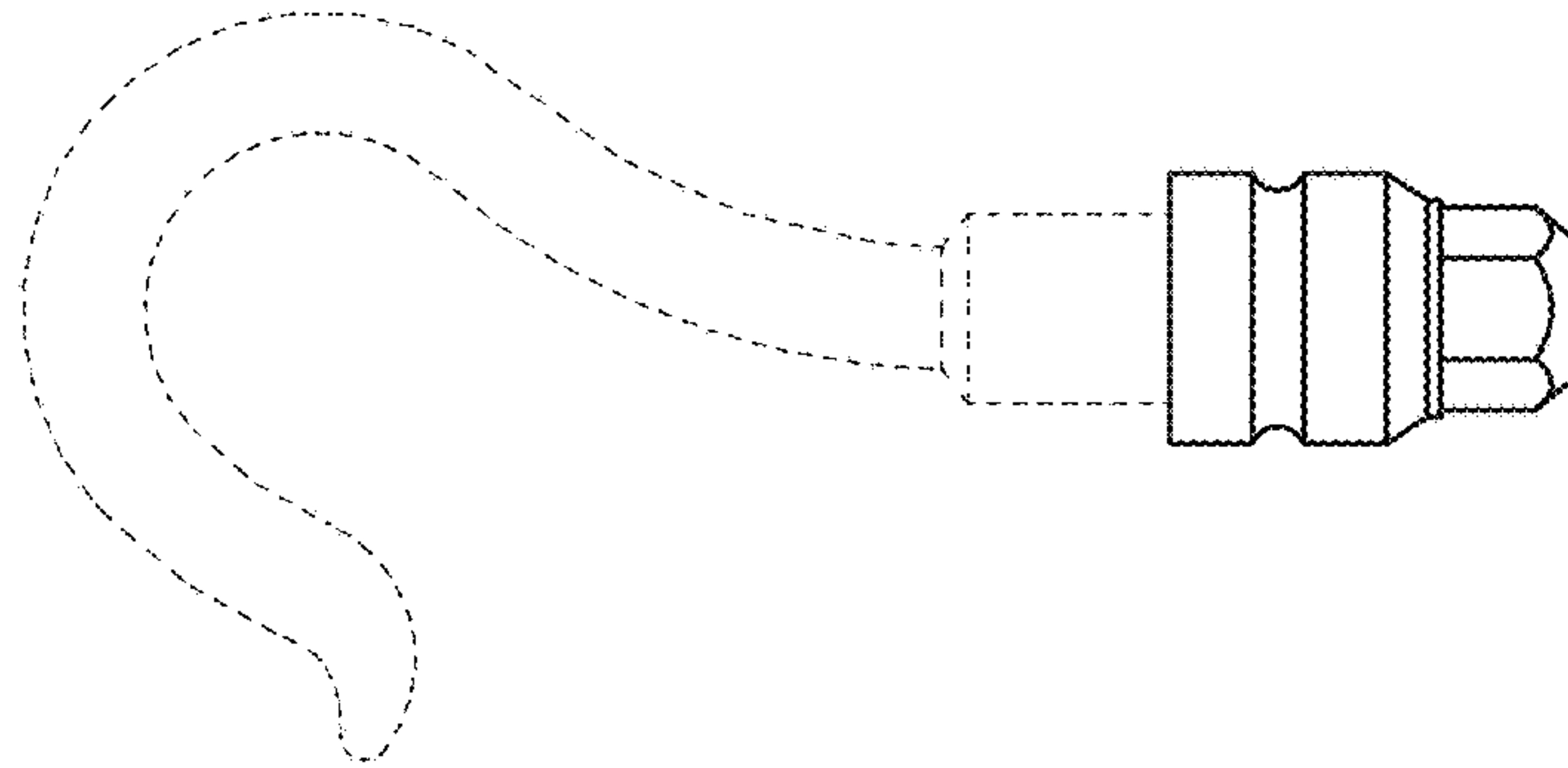


FIG. 1

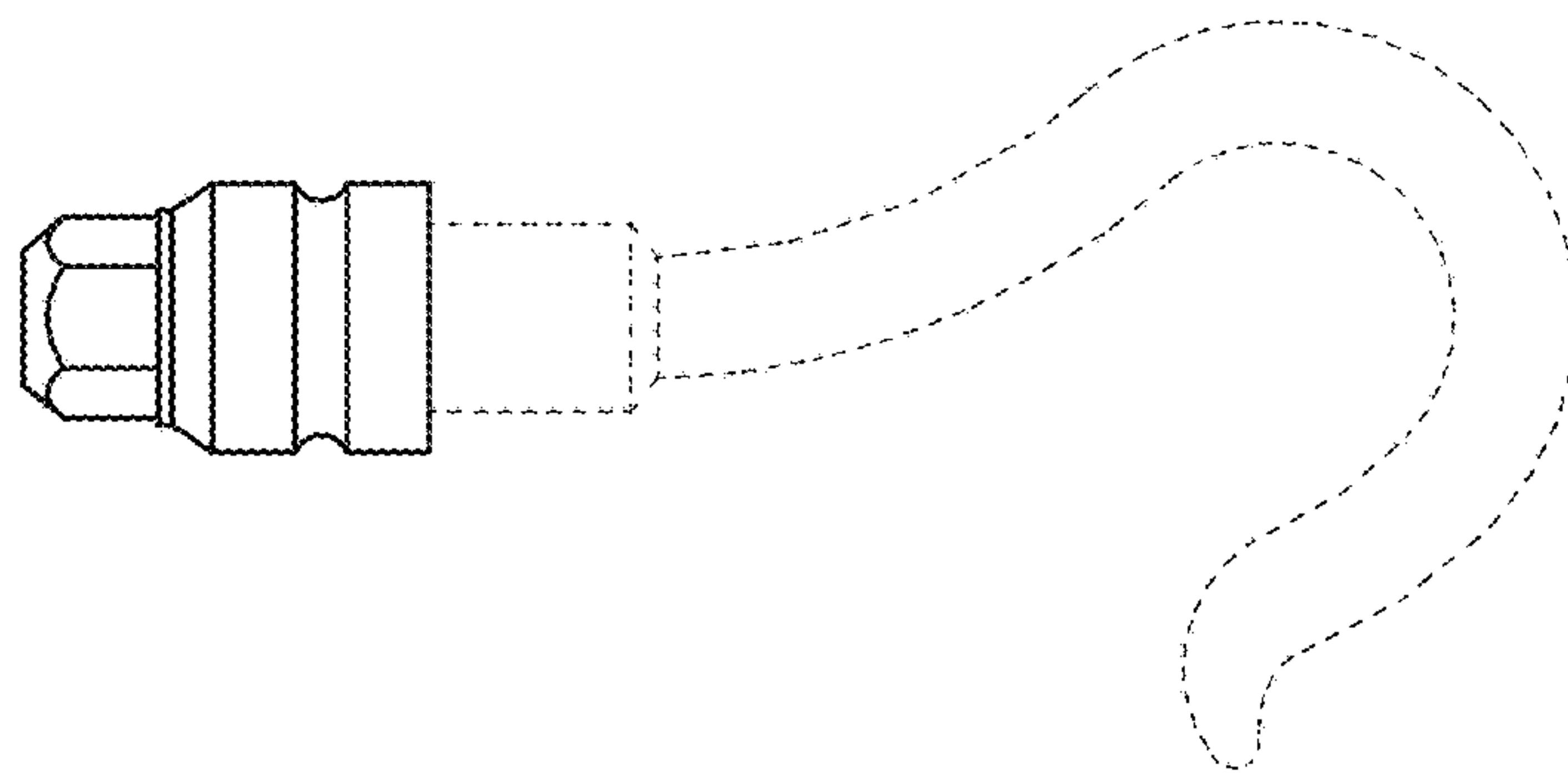


FIG. 2

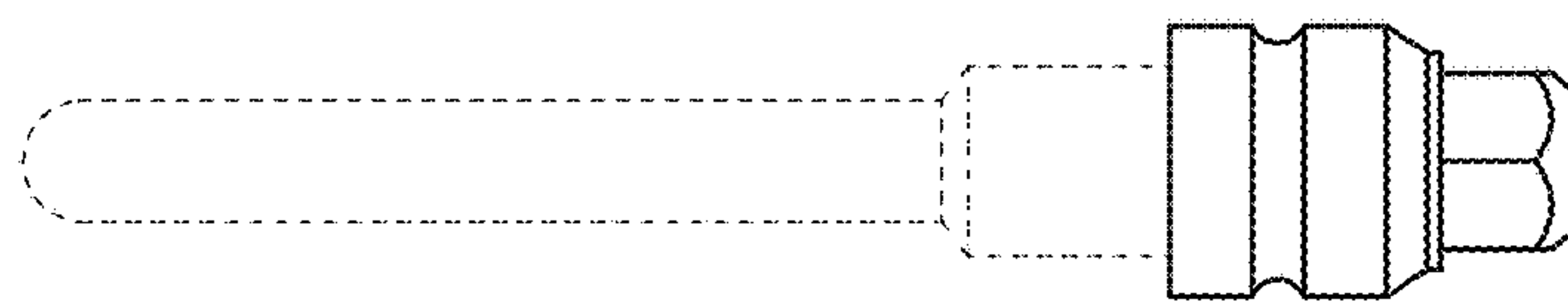


FIG. 3

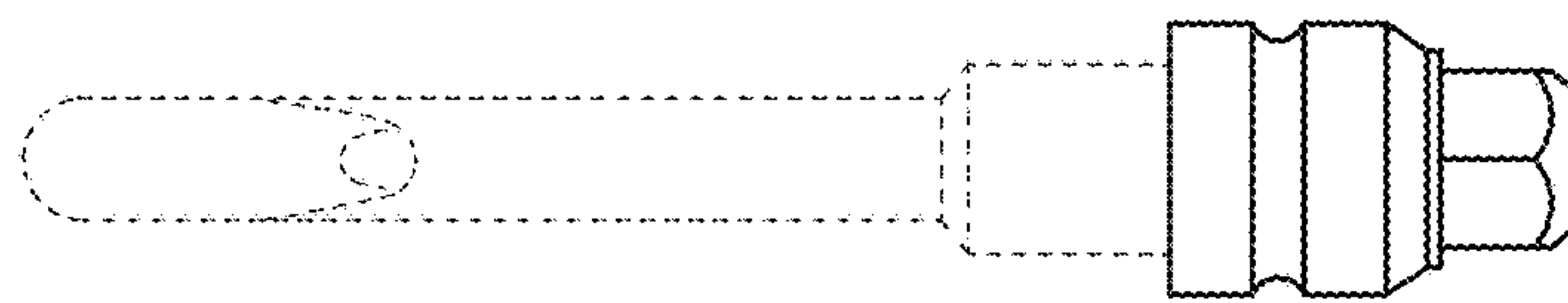


FIG. 4

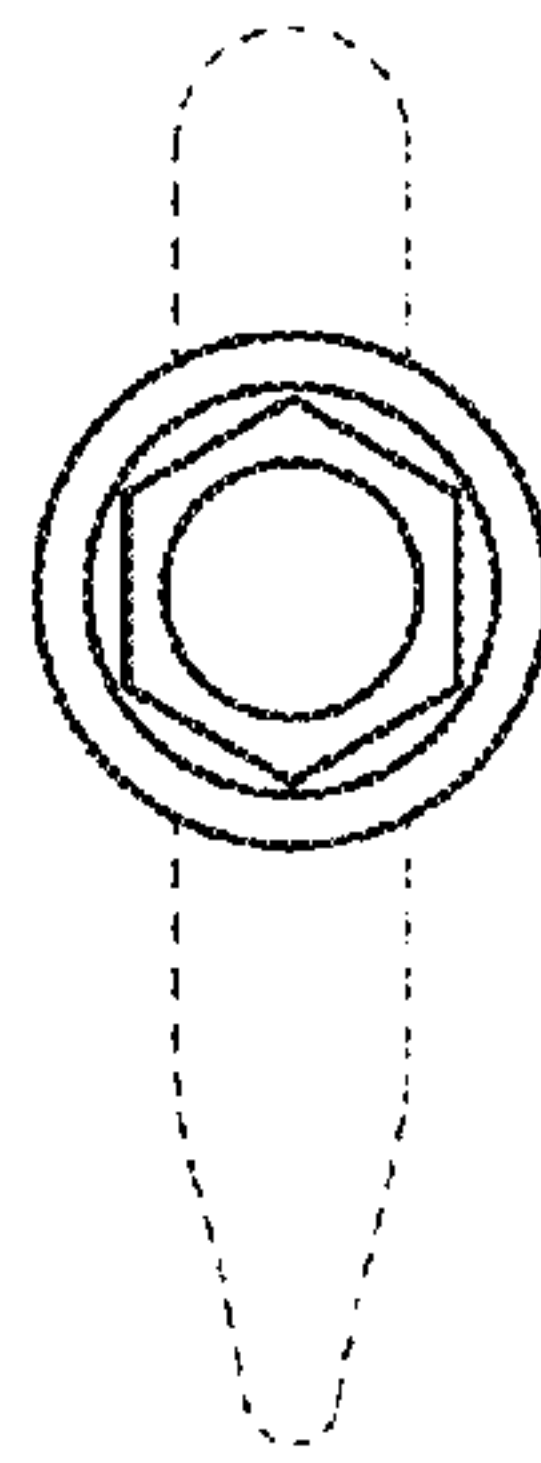


FIG. 5

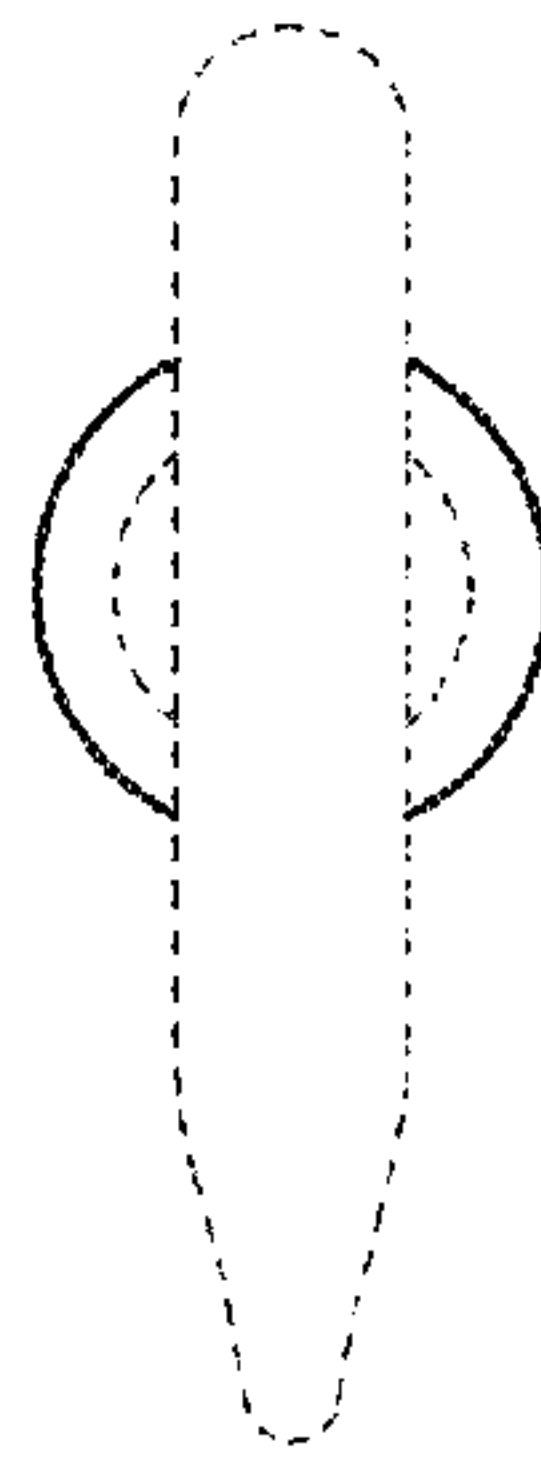


FIG. 6

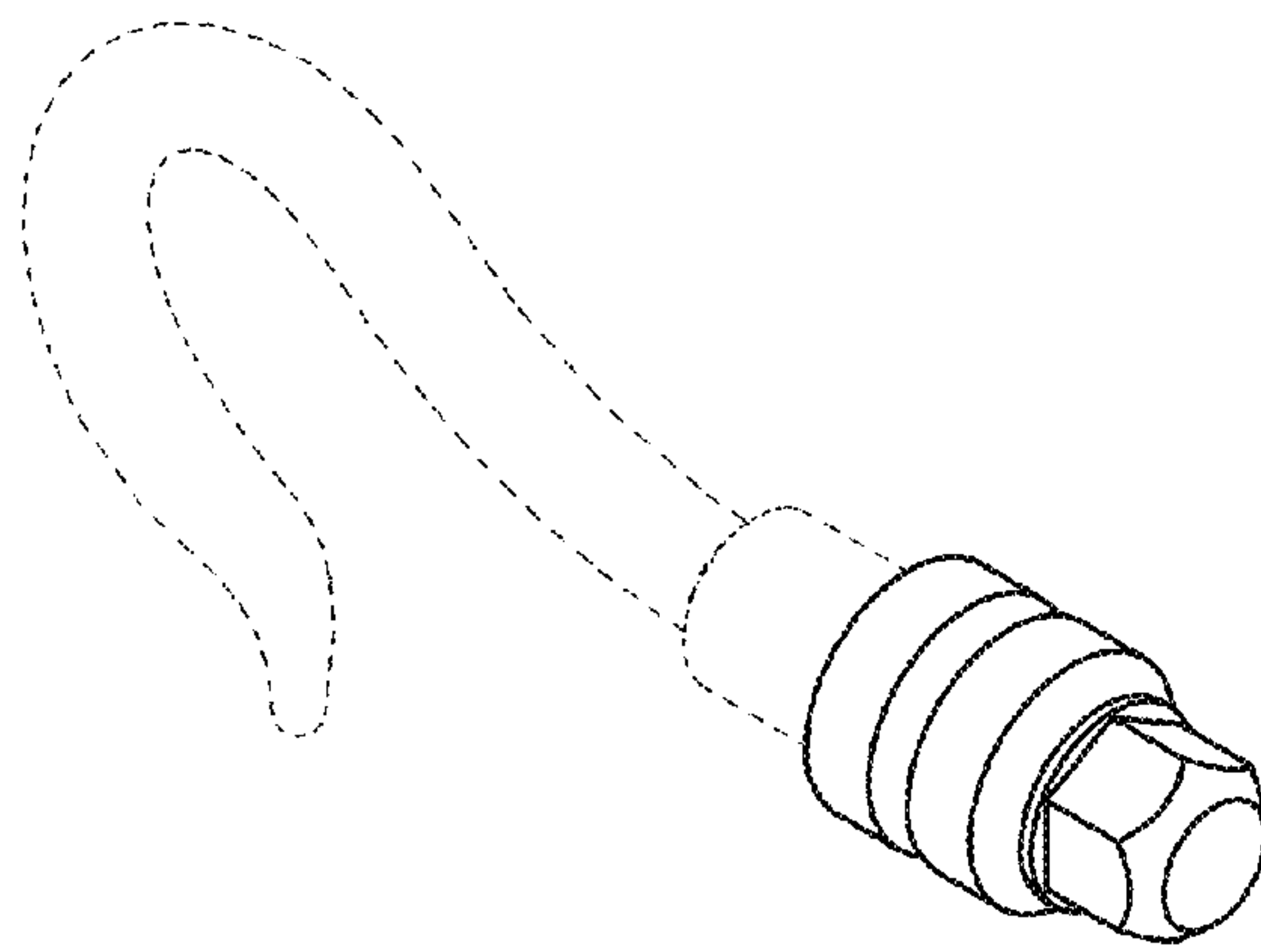


FIG. 7