



US00D862207S

(12) **United States Design Patent**
Pfahnl

(10) **Patent No.:** **US D862,207 S**

(45) **Date of Patent:** **** Oct. 8, 2019**

(54) **ROPE TENSIONING AND FASTENING
DEVICE**

5,625,925 A 5/1997 Richards
8,001,659 B2 8/2011 Sorensen
8,661,624 B1 * 3/2014 Bracewell B63B 21/08
24/129 B

(71) Applicant: **John Charles Pfahnl**, San Jose, CA
(US)

D737,502 S * 8/2015 Kirkham D26/143
D762,461 S * 8/2016 Kirkham D8/356
D771,474 S * 11/2016 Gertsma D8/356
D839,716 S * 2/2019 Gertsma D8/356

(72) Inventor: **John Charles Pfahnl**, San Jose, CA
(US)

(Continued)

(**) Term: **15 Years**

FOREIGN PATENT DOCUMENTS

(21) Appl. No.: **29/679,282**

AU 198054872 1/1980
GB 2510856 A 8/2014

(22) Filed: **Feb. 4, 2019**

OTHER PUBLICATIONS

Related U.S. Application Data

DHGate.com: 2015 10pcs Quick Knot Tent Wind Rope Buckle.
URL: <http://www.dhgate.com/product/201510pcsquickknot-tentwindropebuckle/254028822.html>. Date Accessed: Feb. 10, 2017.

(63) Continuation-in-part of application No. 15/799,703,
filed on Oct. 31, 2017, now Pat. No. 10,197,132.

(51) **LOC (12) Cl.** **09-06**

(52) **U.S. Cl.**
USPC **D8/356**

Primary Examiner — Cynthia R Underwood

(74) *Attorney, Agent, or Firm* — Brian Beverly; Beeson
Skinner Beverly, LLP

(58) **Field of Classification Search**
USPC D8/356, 354, 349, 360; D30/139;
D11/218

See application file for complete search history.

(57) **CLAIM**

The ornamental design for a rope tensioning and fastening
device, as shown and described.

(56) **References Cited**

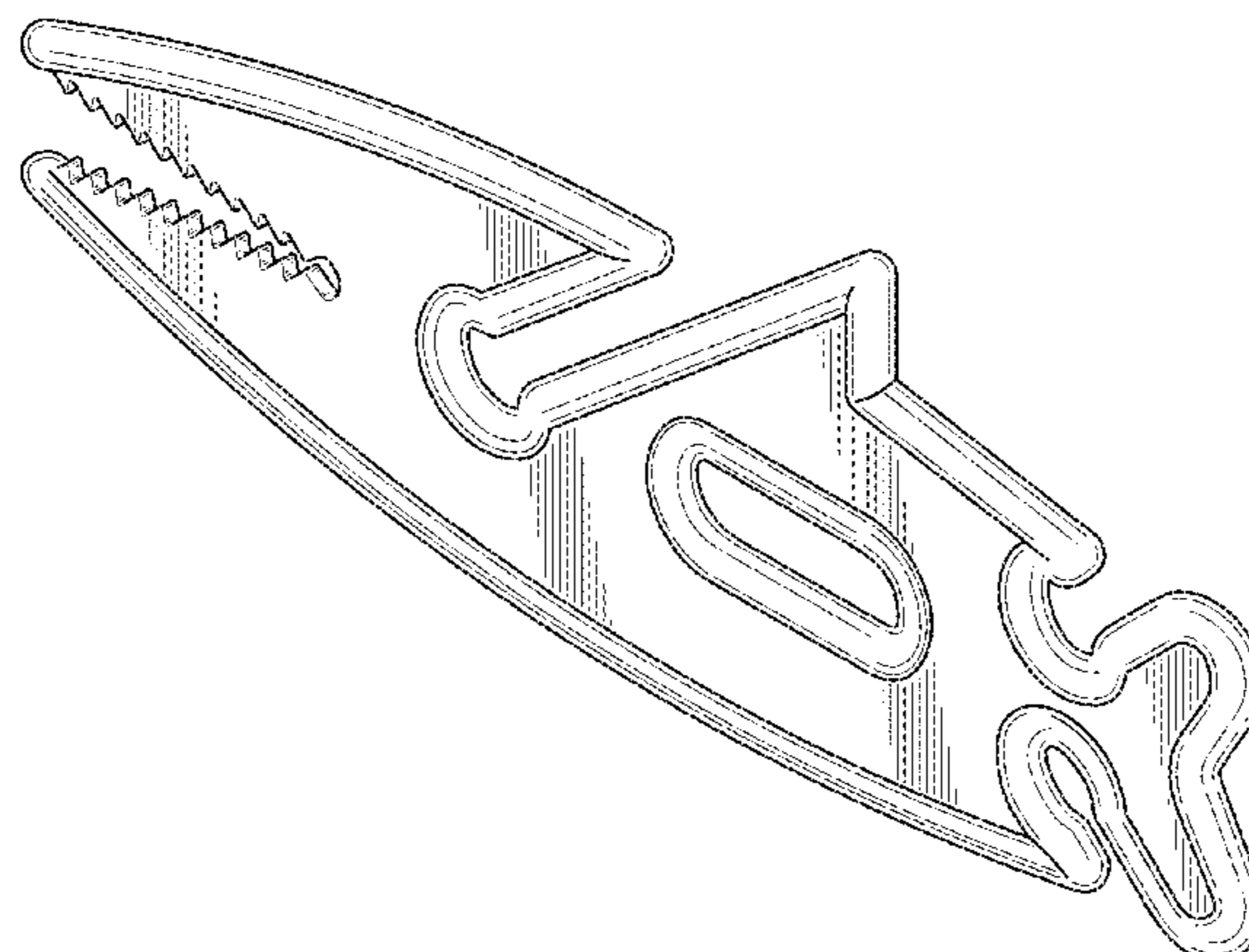
U.S. PATENT DOCUMENTS

1,205,496 A 11/1916 Whitehead
1,426,537 A 8/1922 Bauer
2,151,664 A 4/1938 Redfield
3,711,901 A 1/1973 Close
D233,312 S * 10/1974 Lock D24/143
4,281,439 A 8/1981 Klein
D289,373 S * 4/1987 Kimball 24/130
4,939,820 A 7/1990 Babcock
5,205,687 A 4/1993 Boyland
5,220,709 A 6/1993 Boyland
5,224,246 A 7/1993 Royball
5,230,295 A * 7/1993 Shell B60P 7/0823
114/218
5,339,498 A 8/1994 Parsons

DESCRIPTION

FIG. 1 is a perspective view of a rope tensioning and
fastening device showing my new design;
FIG. 2 is a front elevational view thereof; the rear eleva-
tional view being a mirror image thereof;
FIG. 3 is a right side elevational view thereof;
FIG. 4 is a left side elevational view thereof;
FIG. 5 is a top plan view thereof; and,
FIG. 6 is a bottom plan view thereof.

1 Claim, 3 Drawing Sheets



(56)

References Cited

U.S. PATENT DOCUMENTS

D839,719 S *	2/2019	Burrell	D8/356
D846,371 S *	4/2019	Gilbert	D8/356
2008/0110000 A1	5/2008	Orr	
2010/0160957 A1*	6/2010	Kirkham	A61B 17/1322 606/203
2011/0126382 A1*	6/2011	Kirkham	A61B 17/1322 24/16 R
2014/0196256 A1*	7/2014	Garcia	F16G 11/046 24/129 R

* cited by examiner

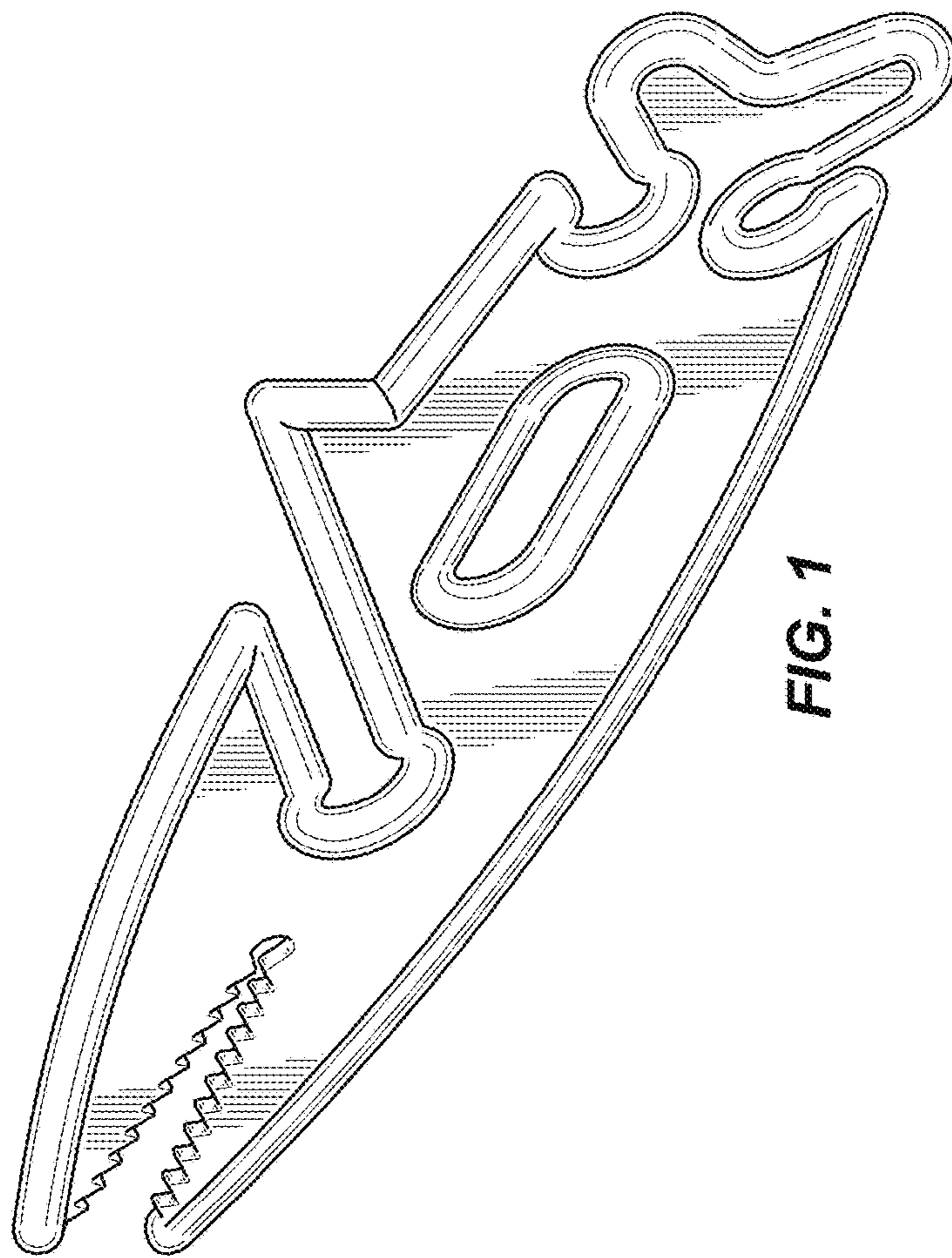


FIG. 1

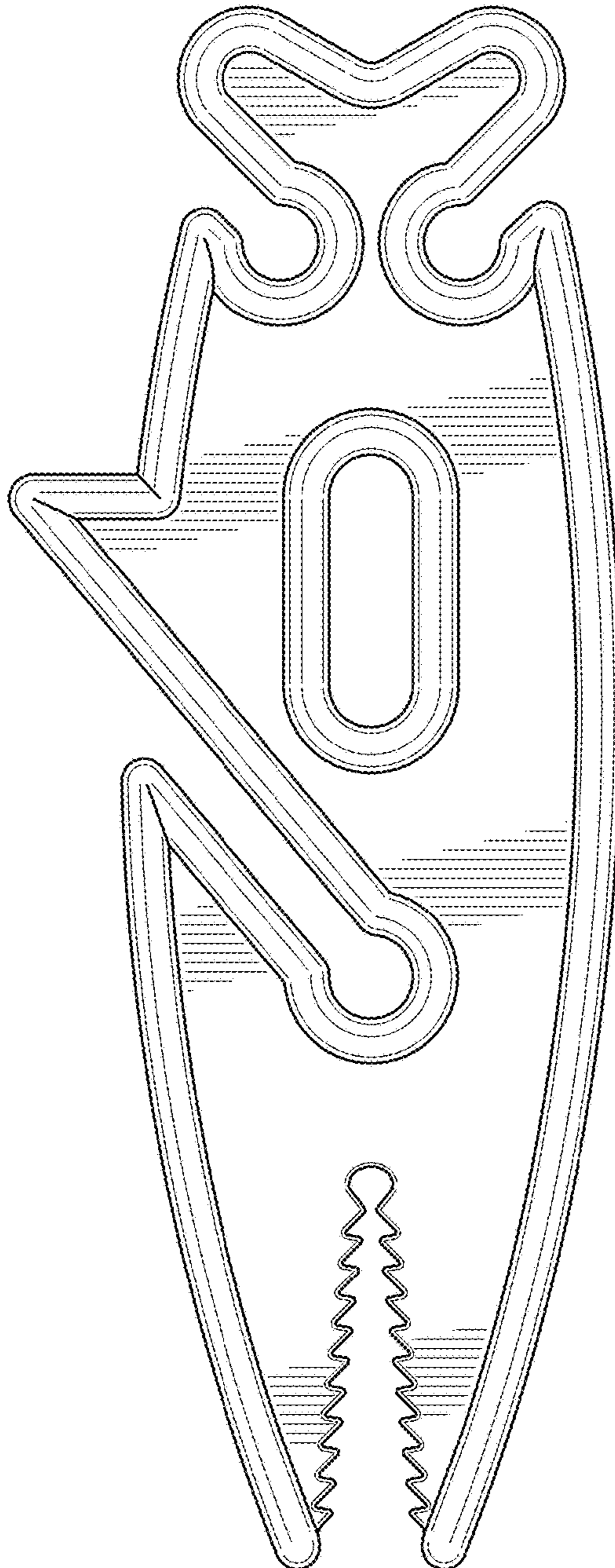


FIG. 2



FIG. 3

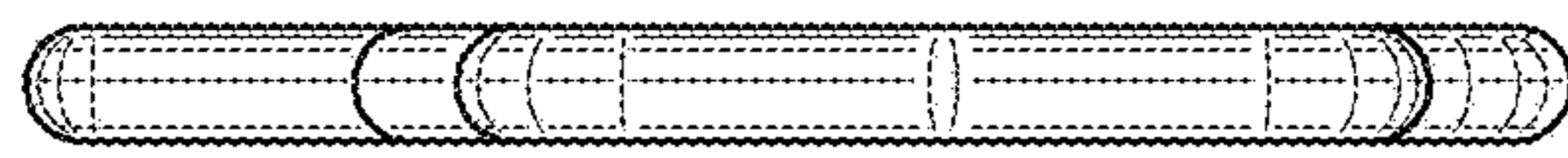


FIG. 4



FIG. 5

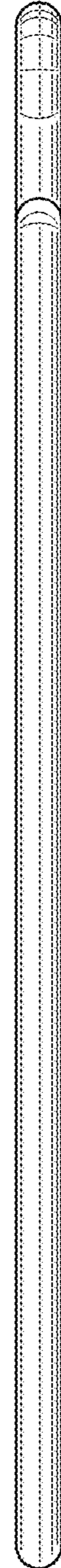


FIG. 6