



US00D862206S

(12) **United States Design Patent** (10) **Patent No.:** **US D862,206 S**  
**Britt** (45) **Date of Patent:** **\*\* Oct. 8, 2019**

(54) **ELECTRICAL EXTENSION CORD ORGANIZER AND STORAGE DEVICE**

(71) Applicant: **Kenneth W. Britt**, Natchez, MS (US)

(72) Inventor: **Kenneth W. Britt**, Natchez, MS (US)

(\*\*) Term: **15 Years**

(21) Appl. No.: **29/658,063**

(22) Filed: **Jul. 27, 2018**

(51) **LOC (12) Cl.** ..... **09-06**

(52) **U.S. Cl.**  
USPC ..... **D8/356**

(58) **Field of Classification Search**  
USPC ..... D8/356, 354, 349; D30/139; D11/218  
See application file for complete search history.

(56) **References Cited**

**U.S. PATENT DOCUMENTS**

546,084	A *	9/1895	Webb	.....	B62C 9/00 280/184
3,398,714	A *	8/1968	Kock	.....	B63B 21/08 114/218
3,929,210	A	12/1975	Cutler et al.		
4,338,497	A	7/1982	Drew		
4,721,268	A *	1/1988	Lerner	.....	H02G 11/02 191/12.2 R
5,261,343	A *	11/1993	Elterman	.....	B63B 21/045 114/218
D382,190	S *	8/1997	Blackston	.....	D8/105
6,024,317	A	2/2000	Kovacik et al.		
6,164,582	A *	12/2000	Vara	.....	B65H 75/42 191/12.2 R
D449,580	S *	10/2001	Gee, II	.....	D13/139.8
D484,035	S *	12/2003	Smith-Kielland	.....	248/68.1
D549,557	S *	8/2007	Mori	.....	D8/356
D575,143	S *	8/2008	Kuo	.....	D8/356

D595,120	S *	6/2009	Plowman	.....	D8/356
D613,697	S *	4/2010	Symons	.....	D13/149
D648,685	S *	11/2011	Symons	.....	D13/155
D658,094	S *	4/2012	Dunn	.....	D11/184
D670,995	S *	11/2012	Stieler	.....	D8/356
8,695,913	B2 *	4/2014	Cheng	.....	H01R 13/60 242/388
D774,383	S *	12/2016	Kennedy	.....	D8/358
D807,735	S *	1/2018	Nimgulkar	.....	D8/367
D823,710	S *	7/2018	Schone	.....	D11/86
2010/0224714	A1 *	9/2010	Winther	.....	B65H 75/446 242/400.1
2016/0050481	A1 *	2/2016	Moats	.....	H04R 1/1033 381/384

\* cited by examiner

*Primary Examiner* — Cynthia R Underwood

(74) *Attorney, Agent, or Firm* — Nixon & Vanderhye P.C.

(57) **CLAIM**

The ornamental design for an “electrical extension cord organizer and storage device”, as shown and described.

**DESCRIPTION**

FIG. 1 is a back perspective view of my new and original design for an electrical extension cord organizer and storage device;

FIG. 2 is a left side view;

FIG. 3 is a right side views thereof;

FIG. 4 is a back view thereof;

FIG. 5 is a front plan view thereof;

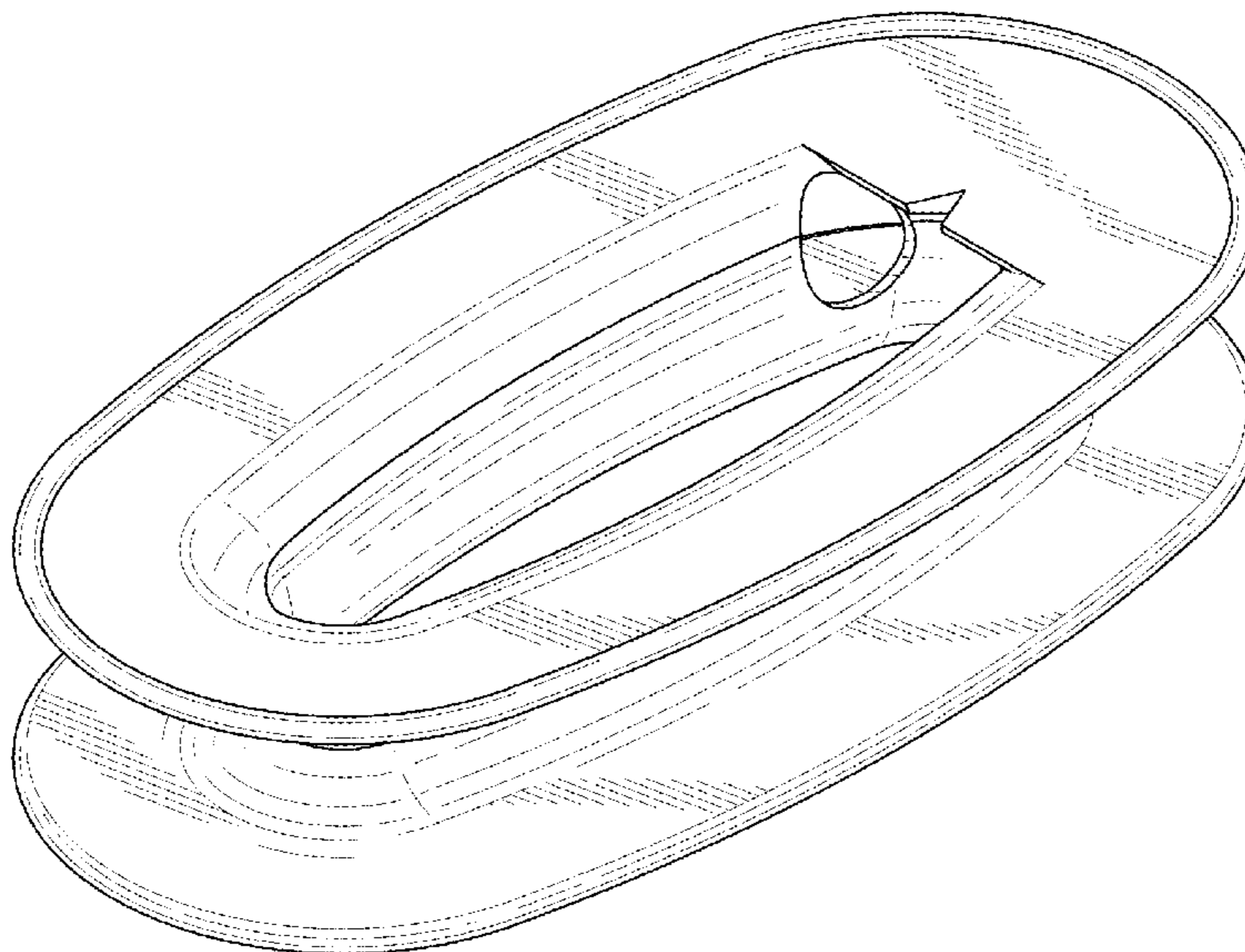
FIG. 6 is a top view thereof;

FIG. 7 is a bottom view thereof;

FIG. 8 is a front perspective thereof; and,

FIG. 9 is a back perspective thereof show with broken lines representing an unclaimed environment of use.

**1 Claim, 6 Drawing Sheets**



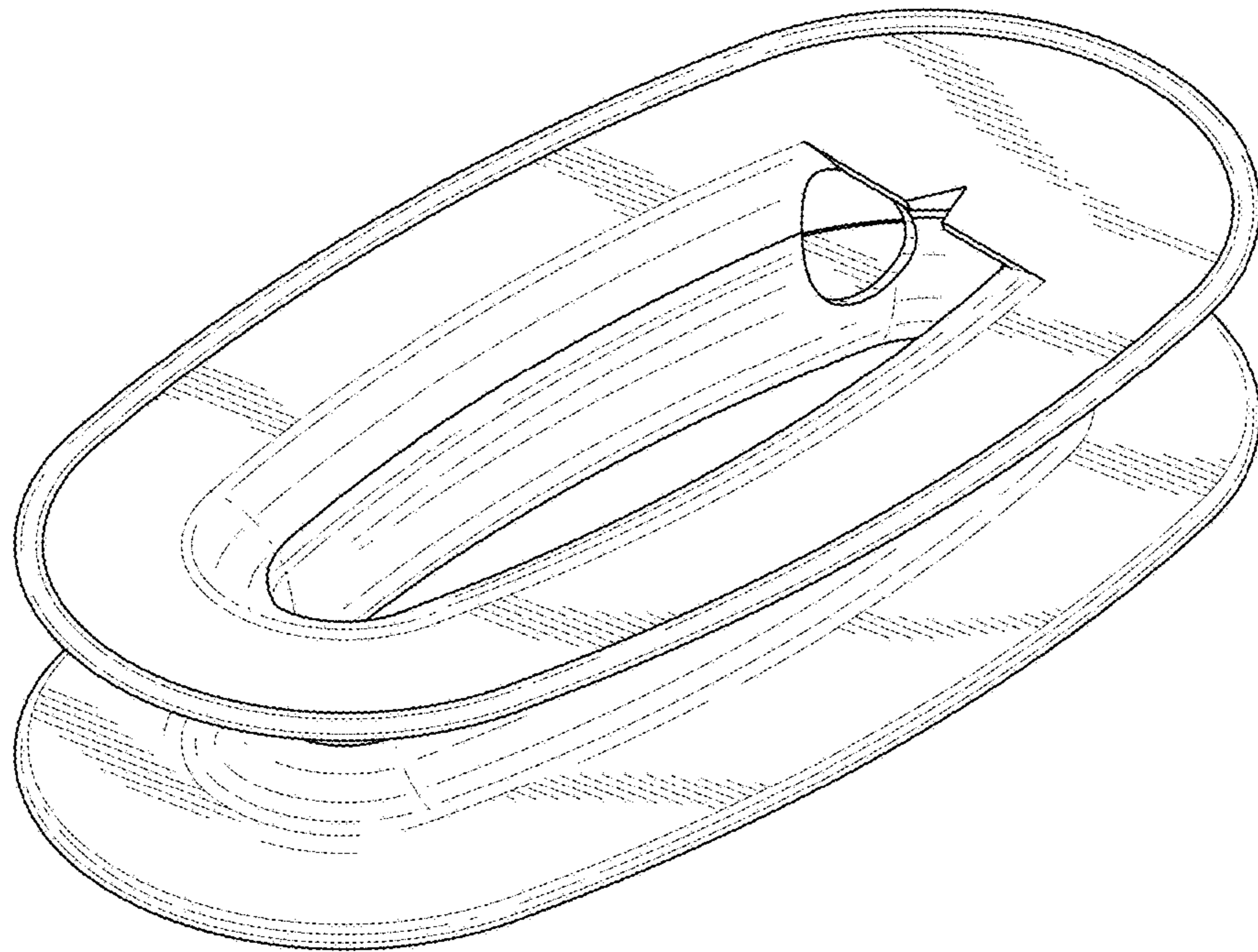


FIG. 1

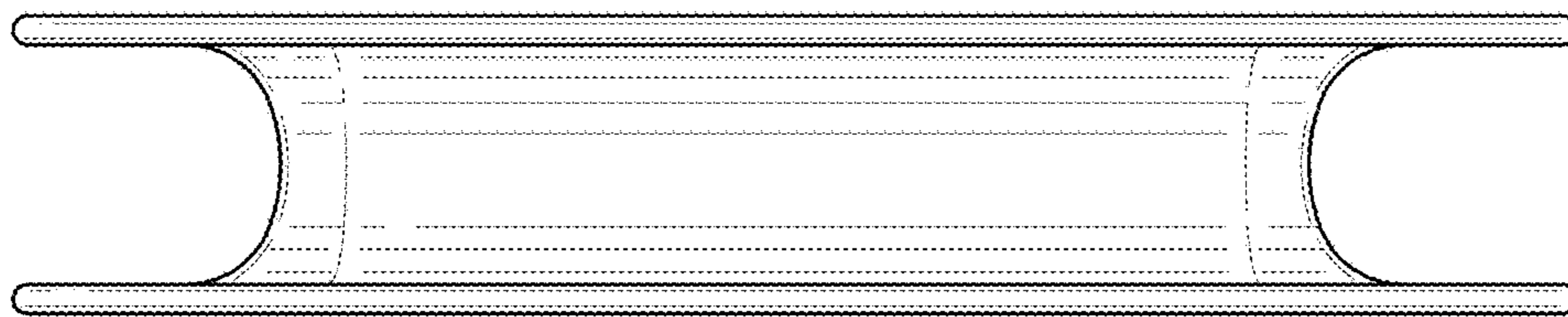


FIG. 2

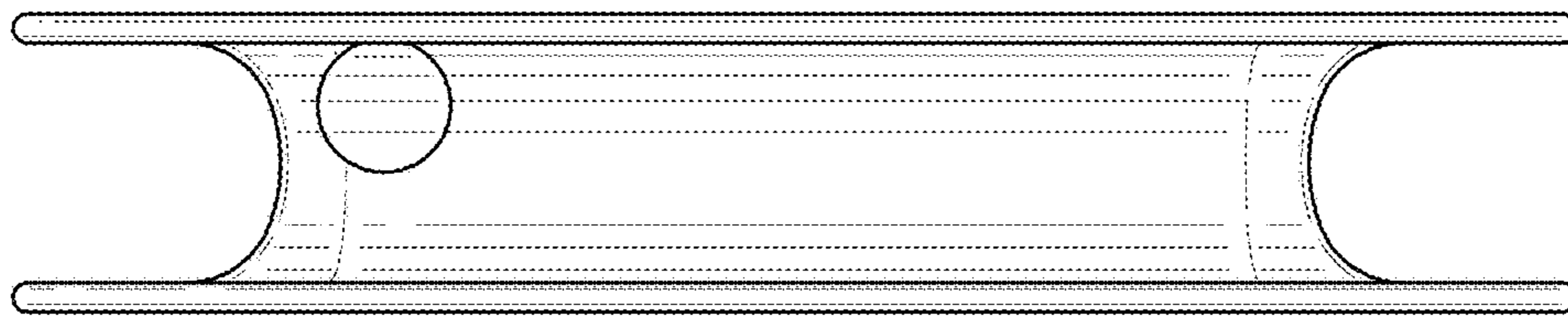


FIG. 3

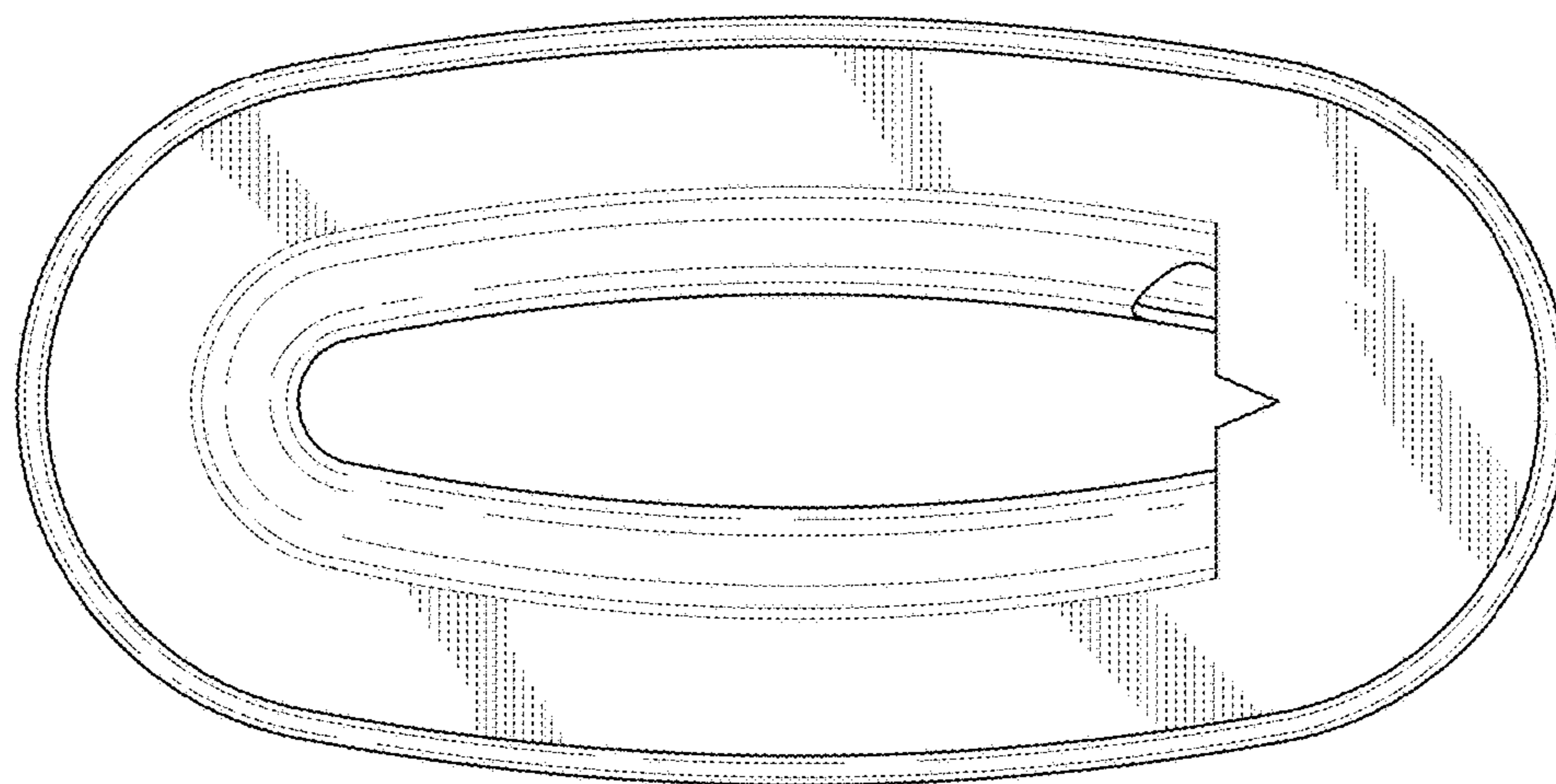


FIG. 4

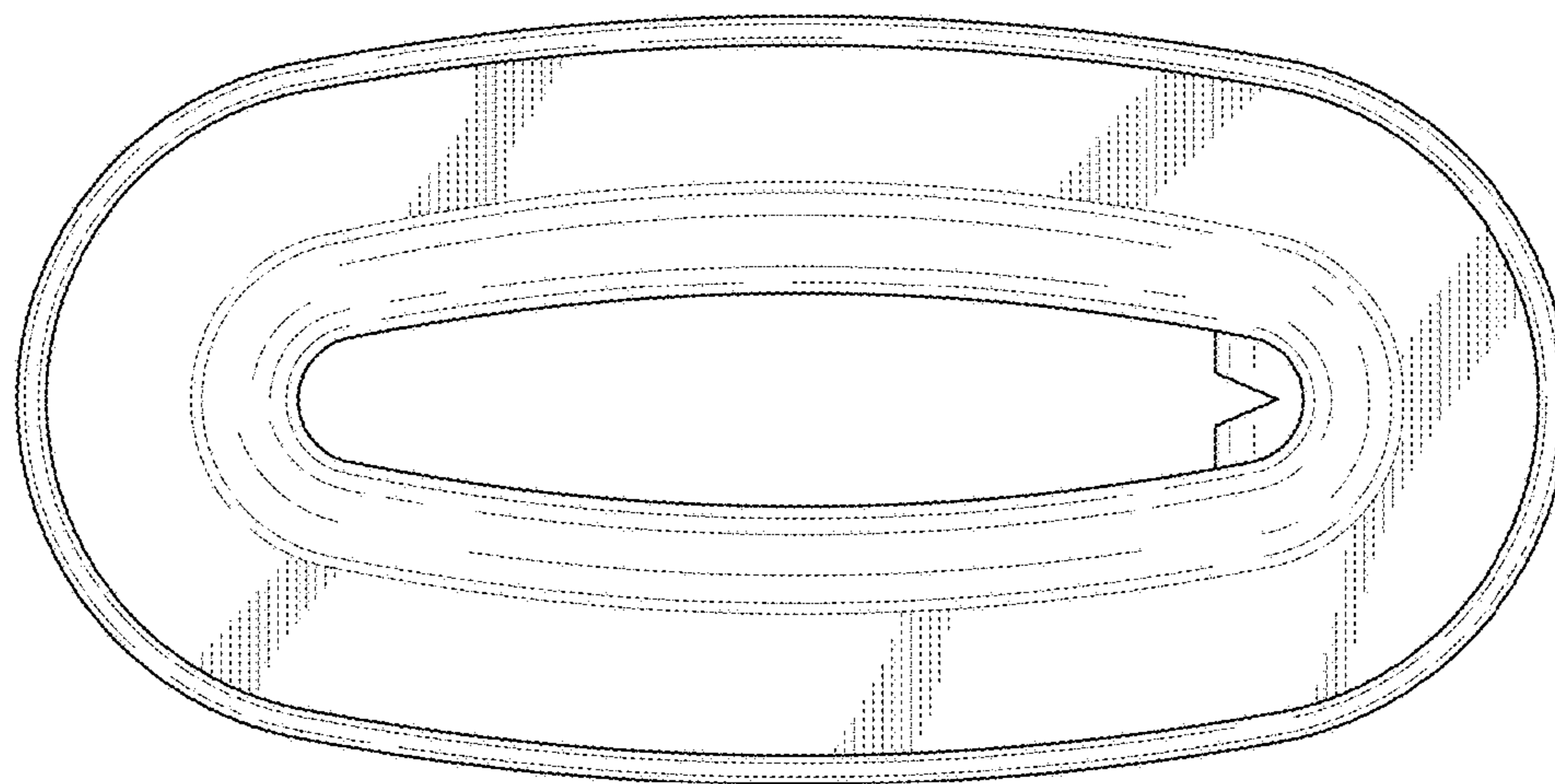


FIG. 5

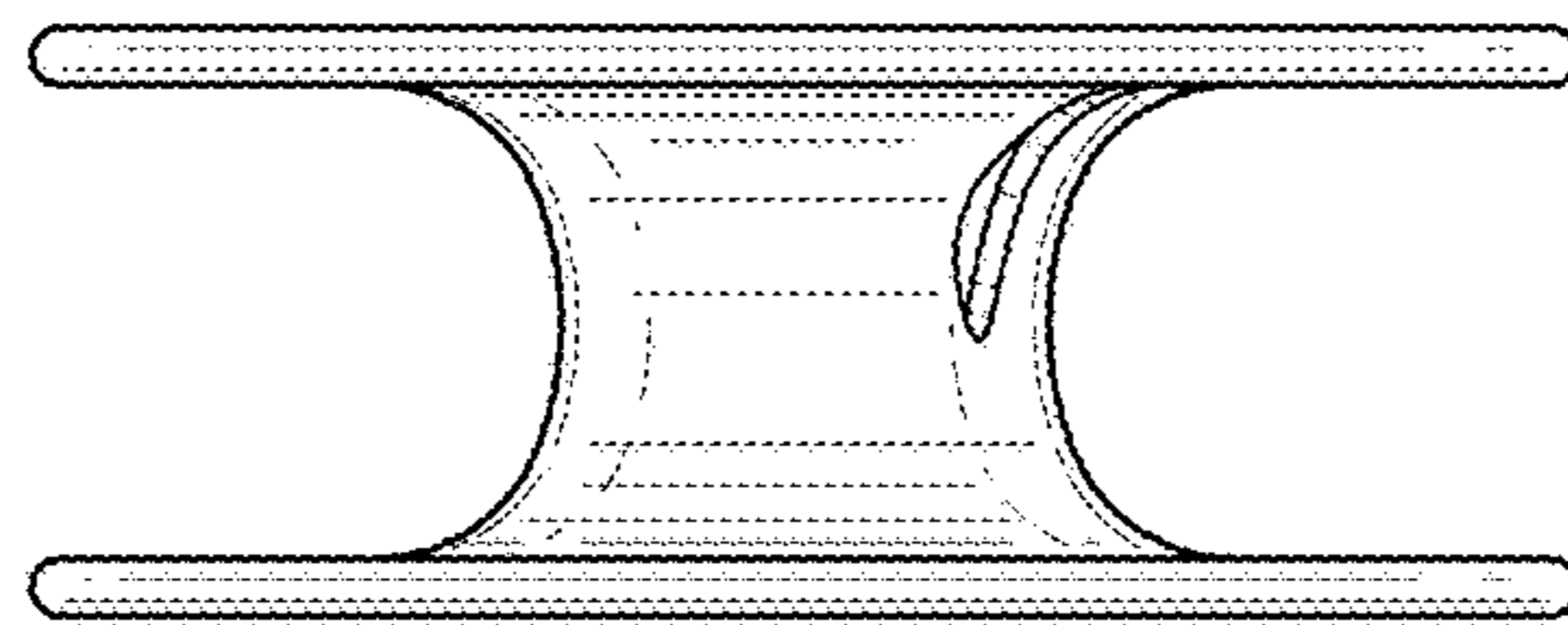


FIG. 6

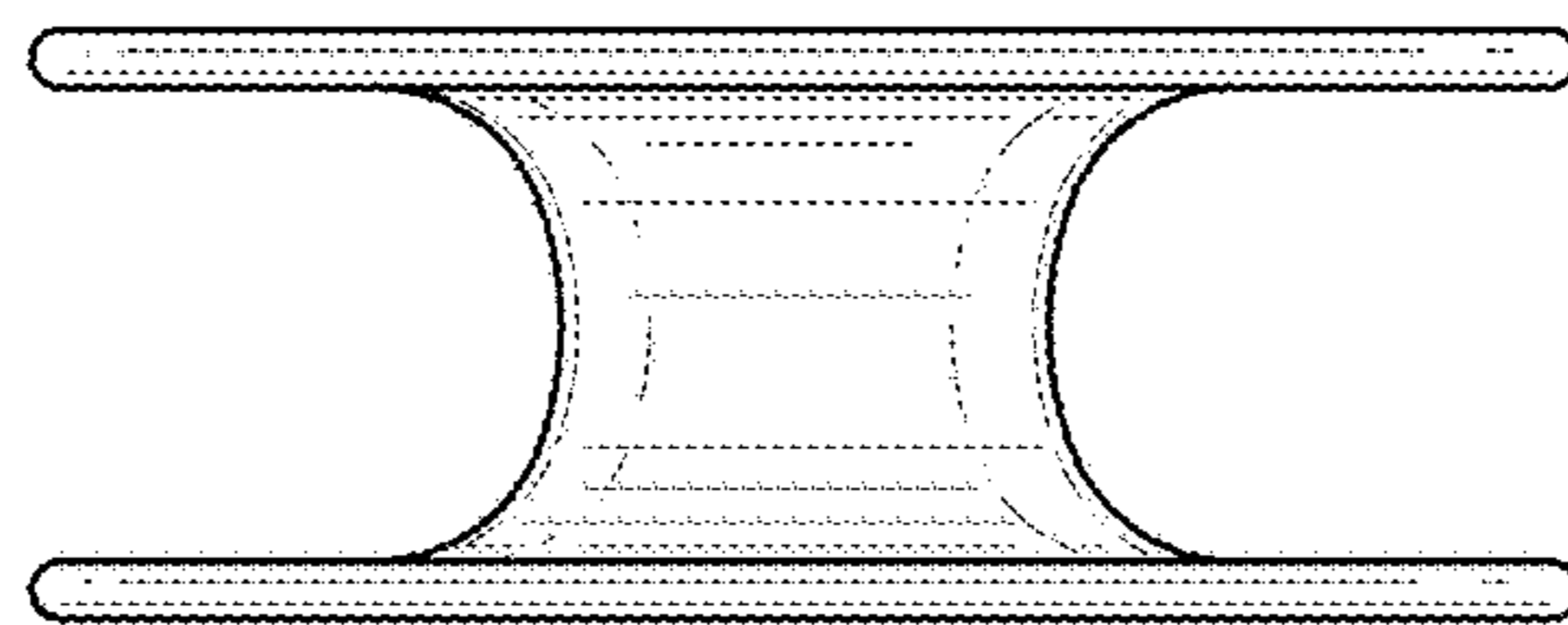


FIG. 7

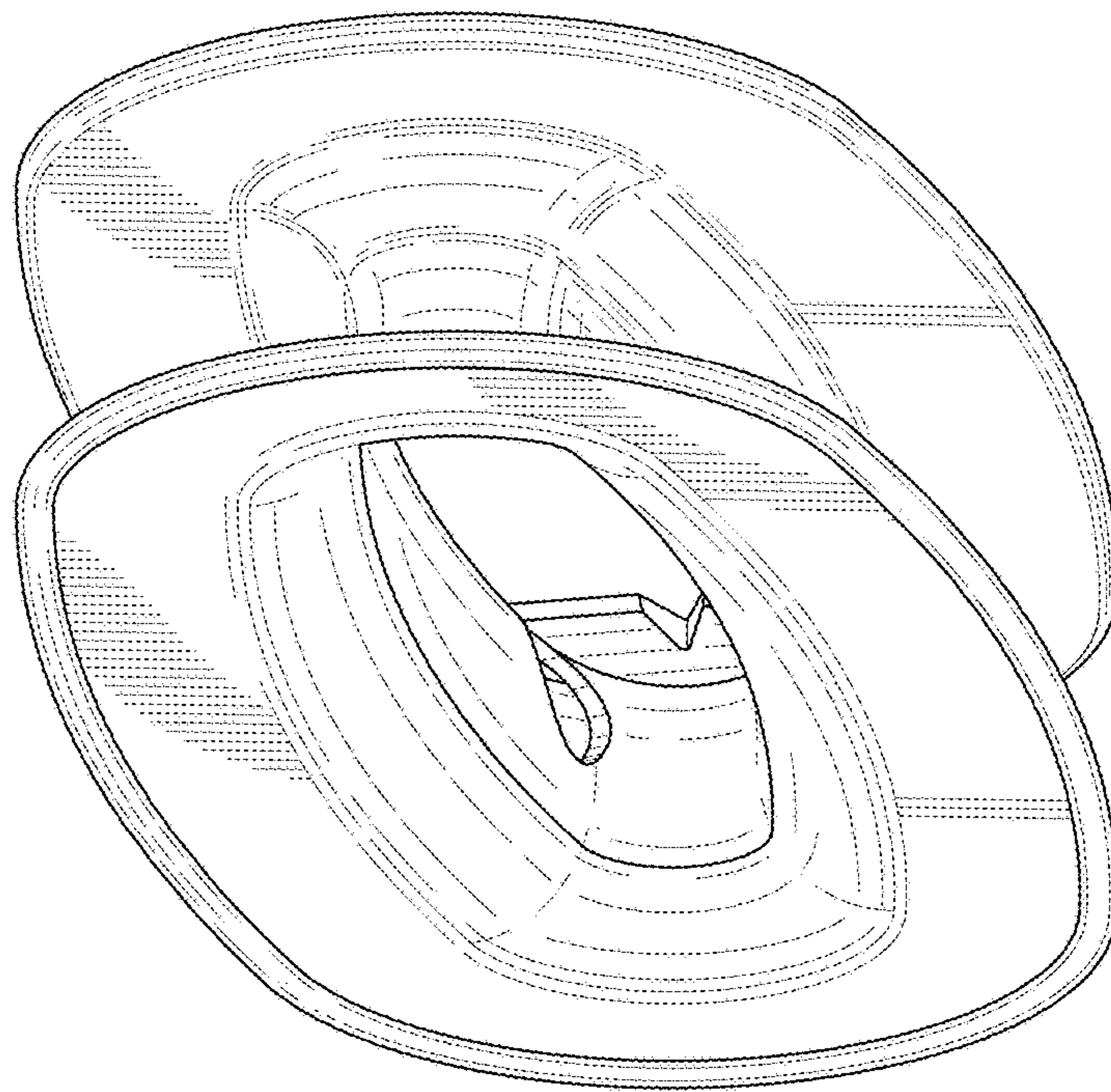


FIG. 8

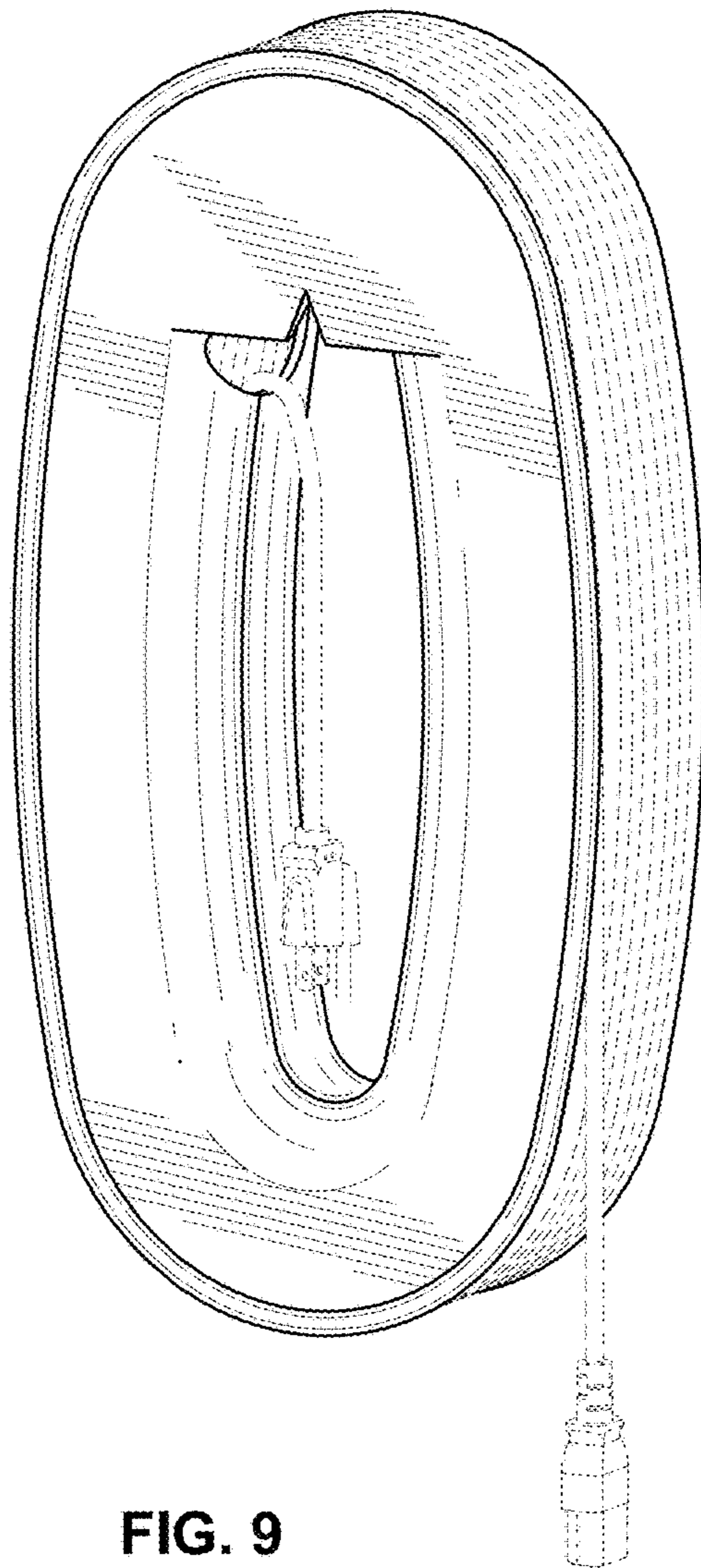


FIG. 9