

US00D862205S

(12) **United States Design Patent** (10) **Patent No.:** **US D862,205 S**  
**Bailey et al.** (45) **Date of Patent:** **\*\* Oct. 8, 2019**

(54) **ZIPLINE TROLLEY**  
 (71) Applicant: **TruBlue LLC**, Boulder, CO (US)  
 (72) Inventors: **Carl Andrew Bailey**, Boulder, CO (US); **Ryan Daniel Walker**, Boulder, CO (US)

1,958,877 A	5/1934	Yake	
2,229,935 A	1/1941	Powers	
2,812,010 A	11/1957	Abdallah	
3,040,678 A	6/1962	McEwen	
3,070,035 A	12/1962	Russo et al.	
3,192,872 A	7/1965	Parent	
3,398,714 A *	8/1968	Kock	..... B63B 21/08
			114/218

(Continued)

(73) Assignee: **TRUBLUE LLC**, Boulder, CO (US)

(\*\*) Term: **15 Years**

(21) Appl. No.: **29/622,606**

(22) Filed: **Oct. 18, 2017**

(51) **LOC (12) Cl.** ..... **09-06**

(52) **U.S. Cl.**  
USPC ..... **D8/356**

(58) **Field of Classification Search**  
USPC ..... D8/356, 354, 349, 360; D30/139;  
D11/218

See application file for complete search history.

(56) **References Cited**

**U.S. PATENT DOCUMENTS**

245,893 A	8/1881	Tunnington	
370,983 A	10/1887	Stahl	
479,524 A	7/1892	Nicholson	
546,084 A *	9/1895	Webb	..... B62C 9/00
			280/184
547,528 A	10/1895	Weaver et al.	
654,687 A	7/1900	Suter	
926,156 A	6/1909	Waterhouse et al.	
1,087,062 A	2/1914	Izett	
1,087,063 A	2/1914	Izett	
1,228,694 A	6/1917	Netcott	
1,371,619 A	3/1921	Greenstreet	
1,490,619 A	4/1924	Manikowske et al.	
1,576,352 A	3/1926	Nordling	
1,873,196 A	8/1932	Harris et al.	
1,935,711 A	11/1933	Hecox	

**FOREIGN PATENT DOCUMENTS**

DE	4237263	7/1994
EP	0131384	1/1985

(Continued)

**OTHER PUBLICATIONS**

PCT International Search Report and Written Opinion in International Application PCT/US2018/016475, dated Apr. 16, 2018, 16 pages.

*Primary Examiner* — Cynthia R Underwood

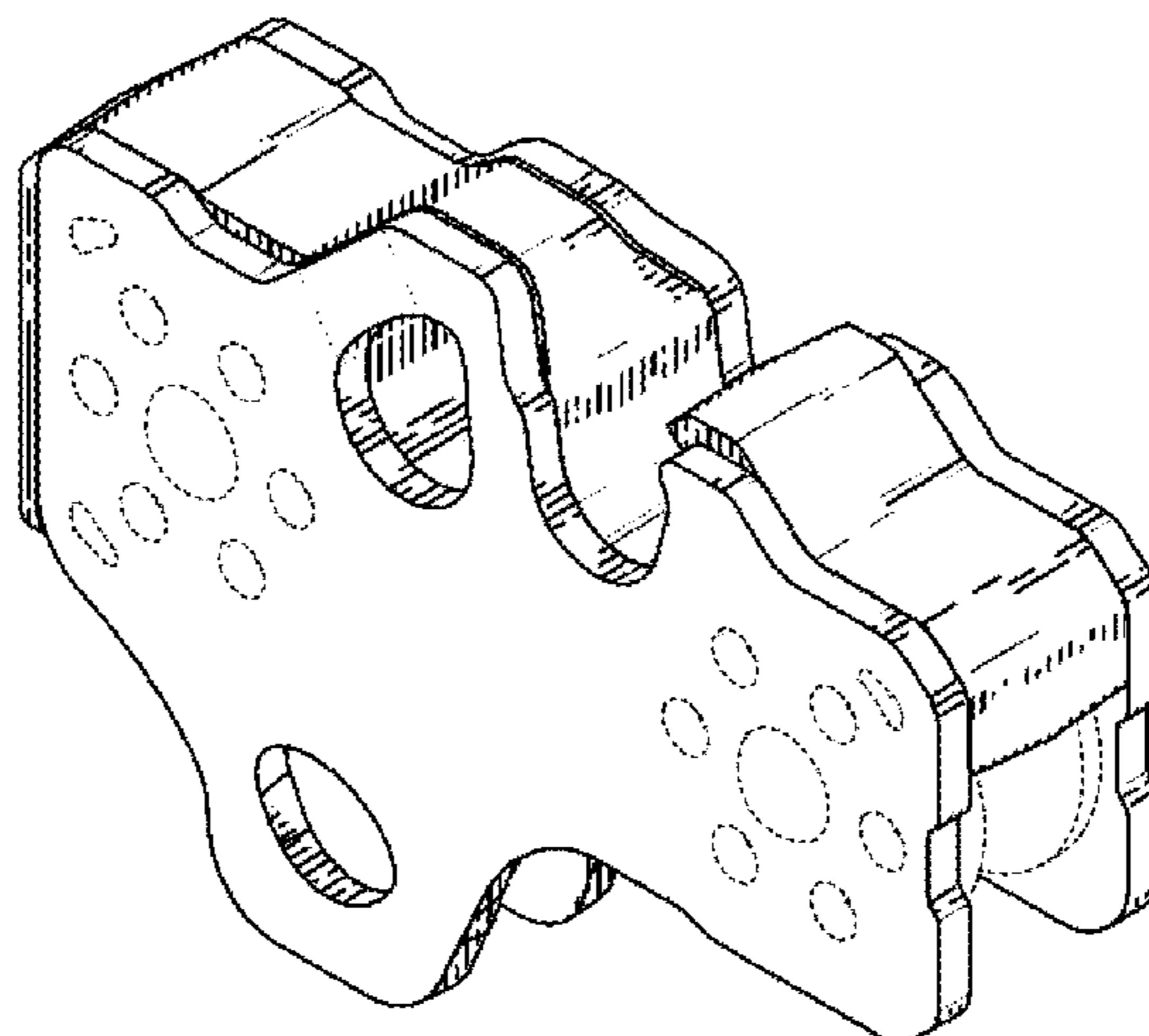
(57) **CLAIM**

The ornamental design for a zipline trolley, as shown and described.

**DESCRIPTION**

FIG. 1 is a perspective view of an exemplary zipline trolley according to the present disclosure;  
 FIG. 2 is a front view of the zipline trolley of FIG. 1;  
 FIG. 3 is a rear view of the zipline trolley of FIG. 1;  
 FIG. 4 is a right side view of the zipline trolley of FIG. 1;  
 FIG. 5 is a left side view of the zipline trolley of FIG. 1;  
 FIG. 6 is a top view of the zipline trolley of FIG. 1; and,  
 FIG. 7 is a bottom view of the zipline trolley of FIG. 1.  
 The broken lines represent environment or portions of the invention and form no part of the claimed design.

**1 Claim, 7 Drawing Sheets**



# US D862,205 S

(56)

## References Cited

### U.S. PATENT DOCUMENTS

3,480,272	A	11/1969	Ziebart	
3,759,190	A	9/1973	Harvey	
4,062,293	A	12/1977	Davis	
4,159,113	A	6/1979	Callecod	
4,440,432	A	4/1984	Goris	
4,621,851	A	11/1986	Bailey, Jr.	
4,721,268	A *	1/1988	Lerner	H02G 11/02 191/12.2 R
4,892,508	A	1/1990	Ryan et al.	
4,948,118	A	8/1990	Miraglia	
5,113,768	A	5/1992	Brown	
5,224,425	A	7/1993	Remington	
5,261,343	A *	11/1993	Elterman	B63B 21/045 114/218
5,316,246	A	5/1994	Scott	
D372,188	S	7/1996	Van Dyke	
D382,190	S *	8/1997	Blackston	D8/105
5,701,824	A	12/1997	Johnson et al.	
5,904,099	A	5/1999	Danneker	
5,931,100	A	8/1999	Sutton et al.	
5,954,301	A	9/1999	Joseph	
6,164,582	A *	12/2000	Vara	B65H 75/42 191/12.2 R
6,206,330	B1	3/2001	Oi	
D449,580	S *	10/2001	Gee, II	D13/139.8
6,363,858	B1	4/2002	Voirin	
6,640,727	B2	11/2003	Ostrobrod	
D484,035	S *	12/2003	Smith-Kielland	248/68.1
6,666,773	B1	12/2003	Richardson	
D488,054	S	4/2004	Myers	
6,810,818	B2	11/2004	Petzl et al.	
D549,557	S *	8/2007	Mori	D8/356
D568,254	S	5/2008	Patchett	
D569,234	S	5/2008	Young, IV	
D569,236	S	5/2008	Young, IV	
D569,712	S	5/2008	Young, IV	
7,381,137	B2	6/2008	Steele et al.	
D572,573	S	7/2008	Abels	
D575,143	S *	8/2008	Kuo	D8/356
D589,899	S	4/2009	Huang	
D595,120	S *	6/2009	Plowman	D8/356
D596,128	S	7/2009	Hung	
7,610,706	B2	11/2009	Pitcher et al.	
7,624,684	B2	12/2009	Morris	
D613,697	S *	4/2010	Symons	D13/149
D617,741	S	6/2010	Fennell	
7,819,066	B2	10/2010	Smith	
7,825,337	B2	11/2010	Young, IV	
D640,527	S	6/2011	Hoek	
D644,501	S	9/2011	Chen	
D648,685	S *	11/2011	Symons	D13/155
D657,869	S	4/2012	Mammen	
D658,094	S *	4/2012	Dunn	D11/184
D668,620	S	10/2012	Convert	
D670,995	S *	11/2012	Stieler	D8/356
8,336,463	B2	12/2012	Smith	
D680,851	S	4/2013	Lo	

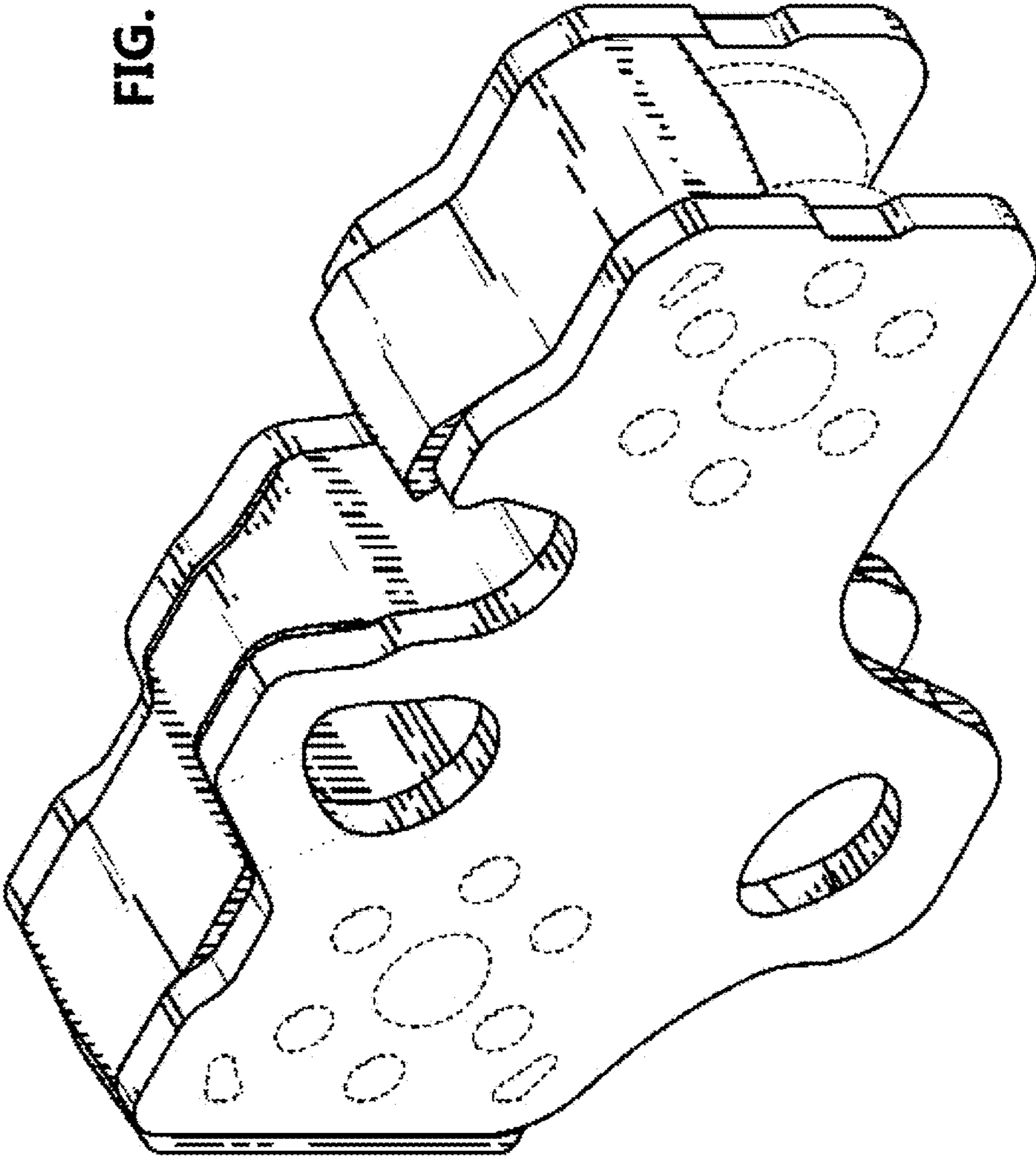
8,424,460	B2	4/2013	Lerner et al.	
8,601,951	B2	12/2013	Lerner	
8,695,913	B2 *	4/2014	Cheng	H01R 13/60 242/388
8,998,151	B2	4/2015	Hoek	
9,033,115	B2	5/2015	Lerner	
D735,018	S	7/2015	McEvelly	
D742,212	S	11/2015	Hsu	
9,242,659	B2	1/2016	Bernier	
9,381,926	B2	7/2016	Brannan	
D767,500	S	9/2016	Byrne	
D768,089	S	10/2016	Liu	
D773,414	S	12/2016	Hoffman	
D774,002	S	12/2016	Hsieh	
D774,383	S *	12/2016	Kennedy	D8/358
D790,127	S	6/2017	Verleur	
D799,941	S	10/2017	Rotherberg	
D802,168	S	11/2017	Lee	
D805,879	S	12/2017	Garcia	
D807,735	S *	1/2018	Nimgulkar	D8/367
9,988,252	B1	6/2018	Kunstadt	
D822,122	S	7/2018	Bilezikian	
D822,463	S	7/2018	Han	
D823,710	S *	7/2018	Schone	D11/86
D834,402	S *	11/2018	Bailey	D8/356
D835,497	S	12/2018	Rindy et al.	
D835,974	S	12/2018	Moore et al.	
D843,813	S *	3/2019	Tillitski	D8/356
2002/0050032	A1	5/2002	Carnall	
2002/0162477	A1	11/2002	Palumbo	
2004/0118982	A1	6/2004	Shillings	
2005/0189453	A1	9/2005	DeGuevara	
2006/0087139	A1	4/2006	Ayres	
2007/0235597	A1	10/2007	Winchester	
2008/0178760	A1	7/2008	Frangos et al.	
2008/0202375	A1	8/2008	Quattlebaum	
2009/0223406	A1 *	9/2009	Smith	A63G 21/22 104/112
2010/0224714	A1 *	9/2010	Winther	B65H 75/446 242/400.1
2011/0083577	A1	4/2011	Tilley	
2012/0031296	A1	2/2012	Smith	
2015/0266454	A1 *	9/2015	McGowan	A63G 21/22 104/113
2015/0375758	A1 *	12/2015	Strasser	A63G 21/20 105/150
2016/0050481	A1 *	2/2016	Moats	H04R 1/1033 381/384
2018/0216656	A1	8/2018	Bailey	
2018/0304907	A1 *	10/2018	Richardson	B61B 12/028
2019/0134437	A1 *	5/2019	Weston	A62B 35/0062

### FOREIGN PATENT DOCUMENTS

EP	1386814	2/2004
GB	920392	3/1963
GB	1527238	10/1978
WO	WO 2009143529	A2 11/2009

\* cited by examiner

**FIG. 1**



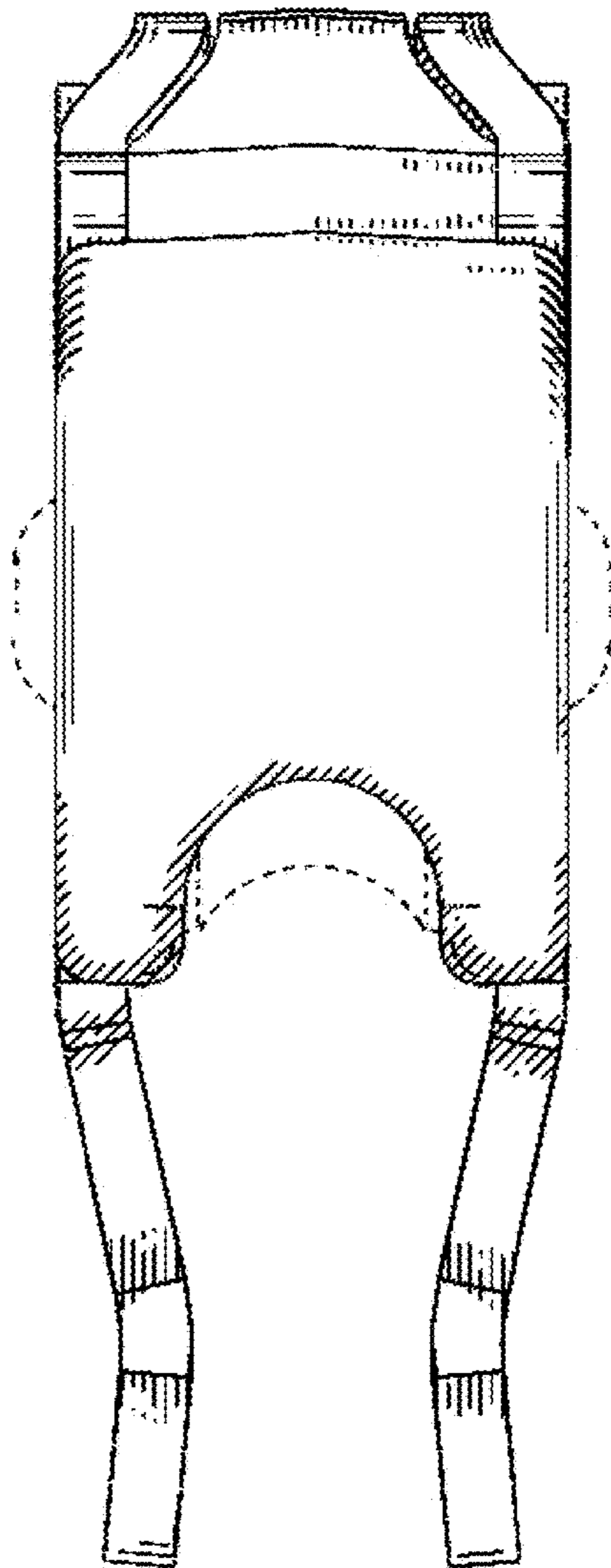


FIG. 2

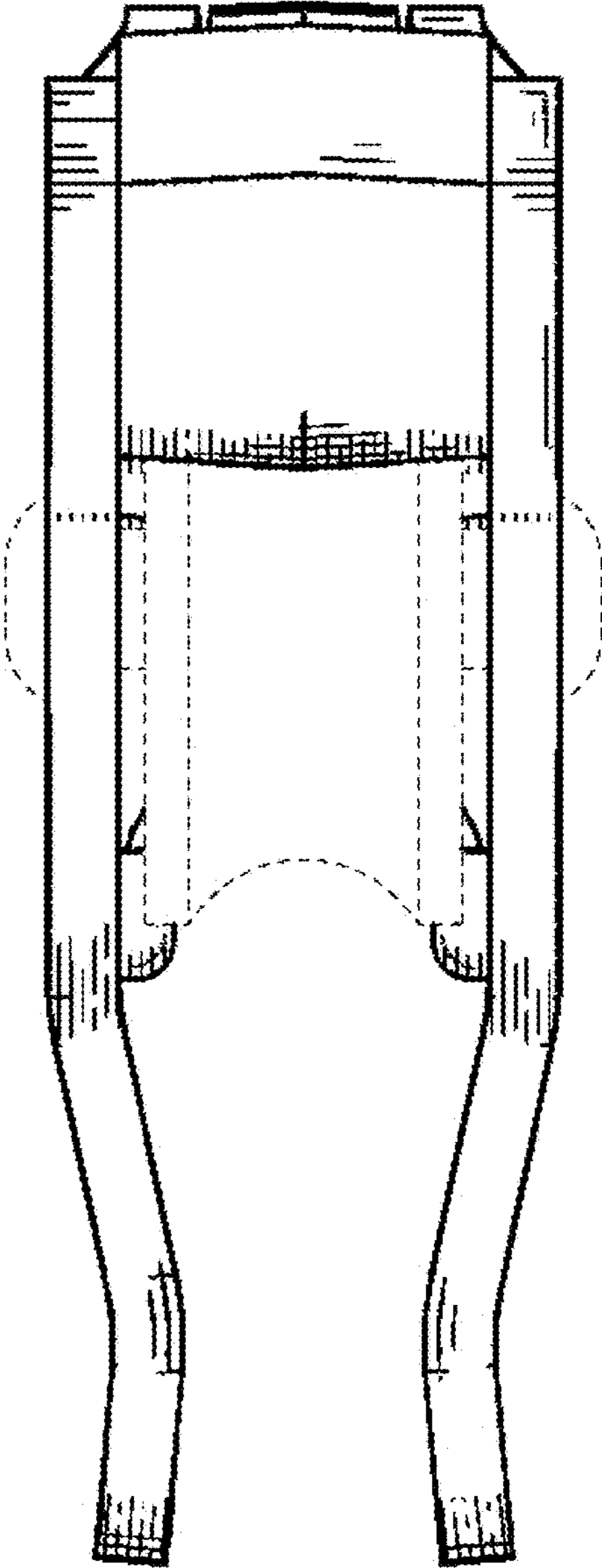


FIG. 3

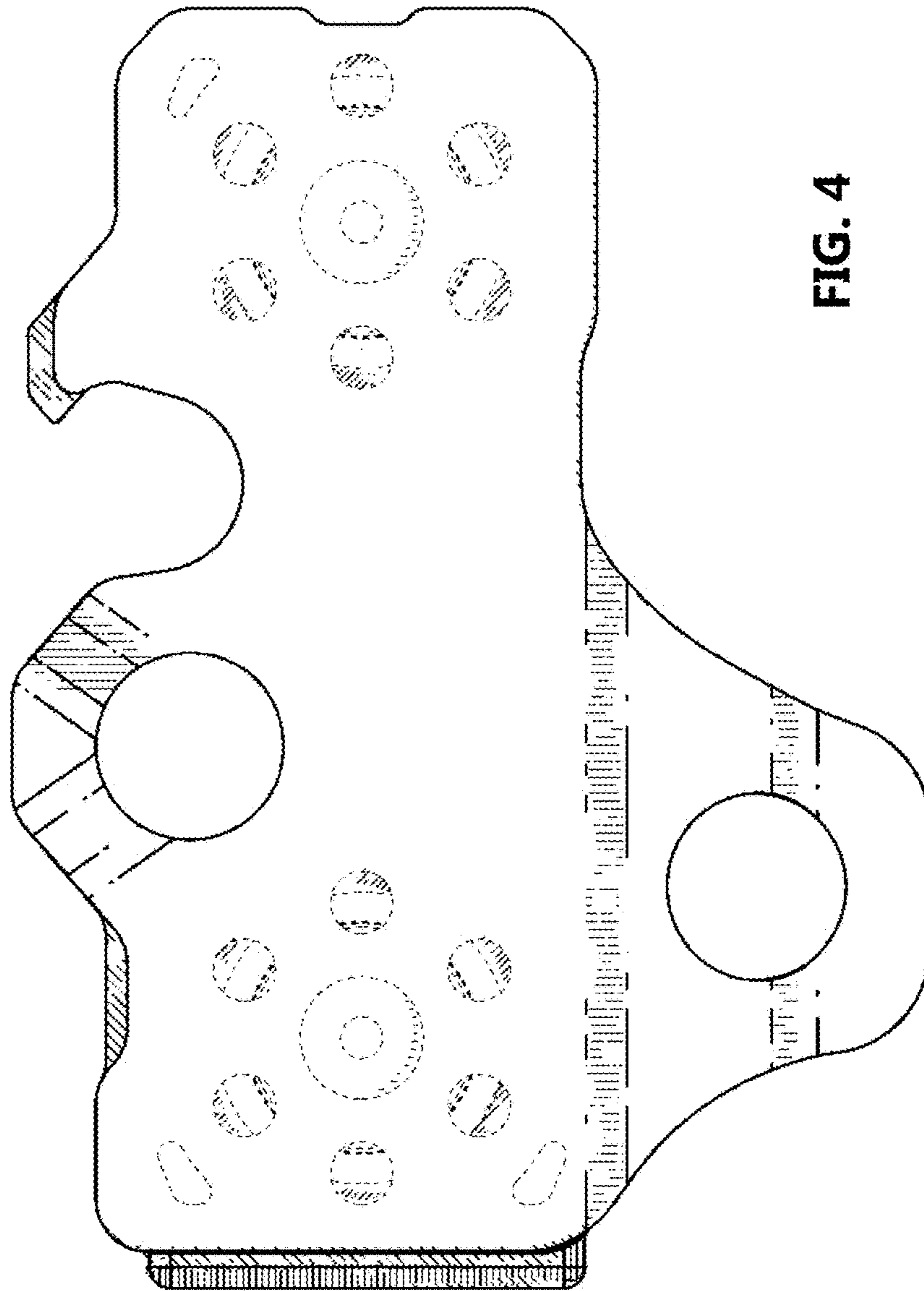


FIG. 4

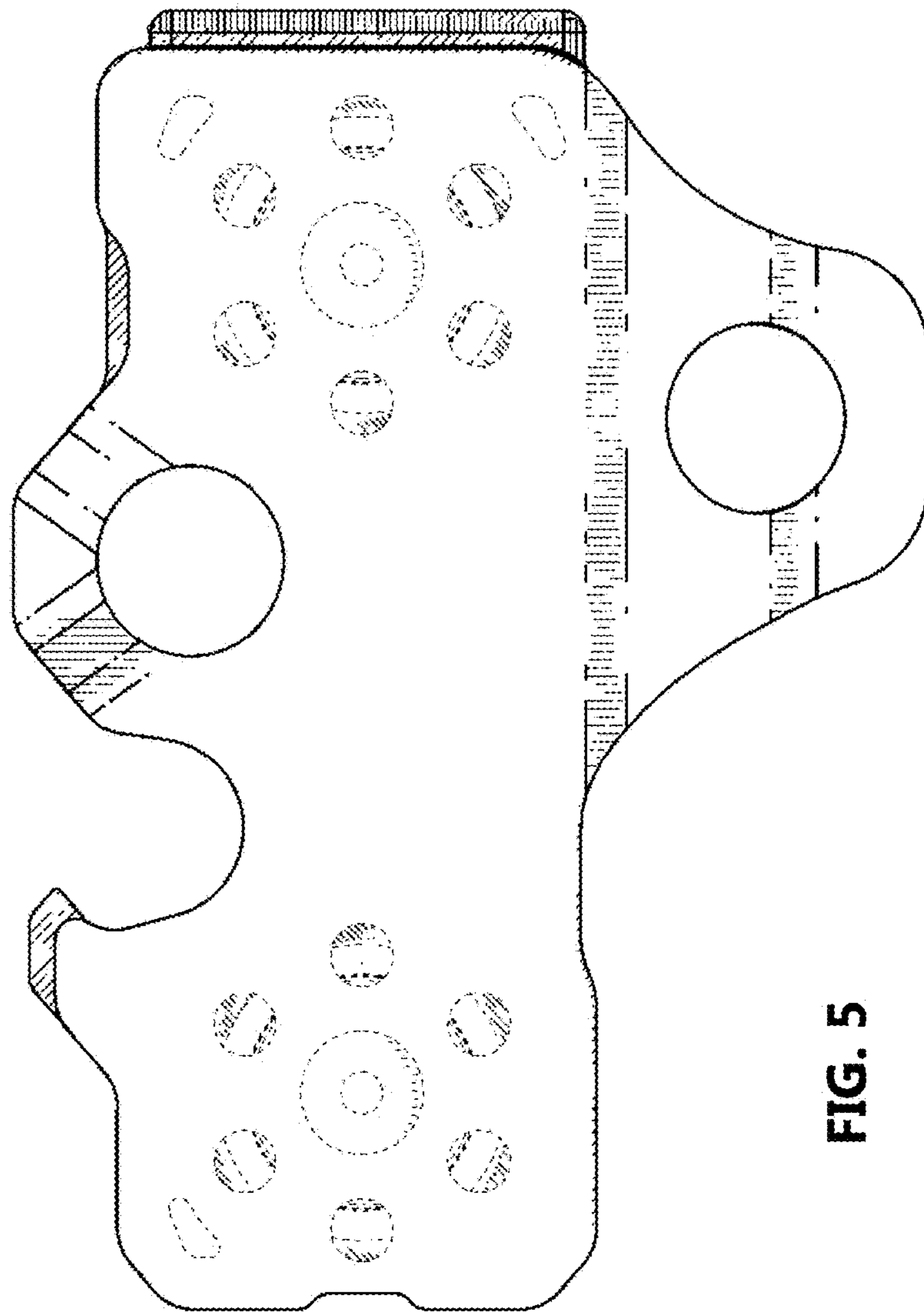


FIG. 5

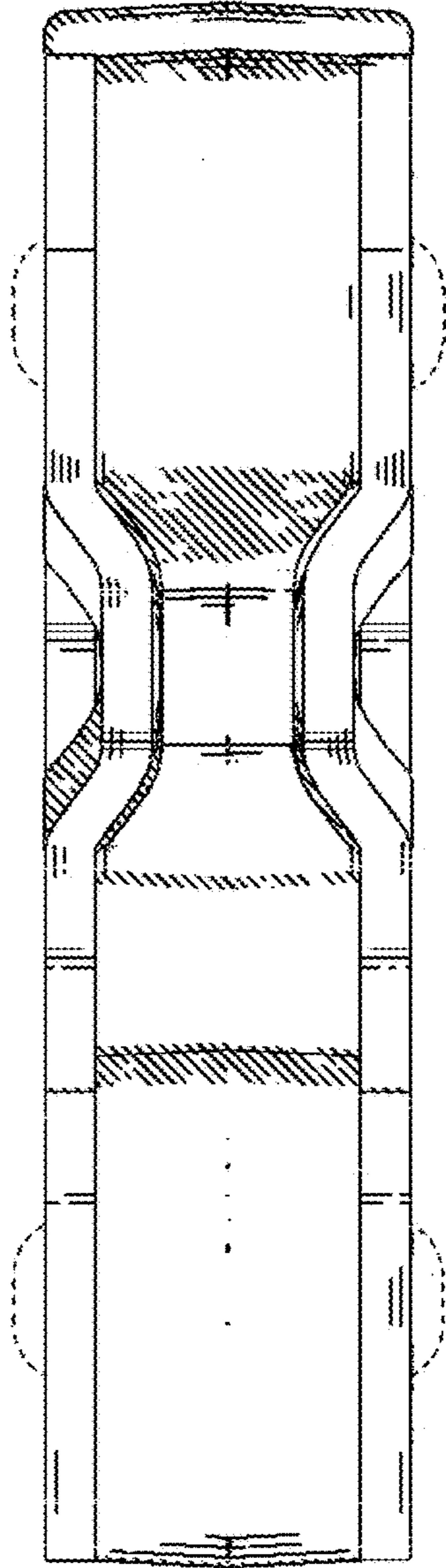


FIG. 6



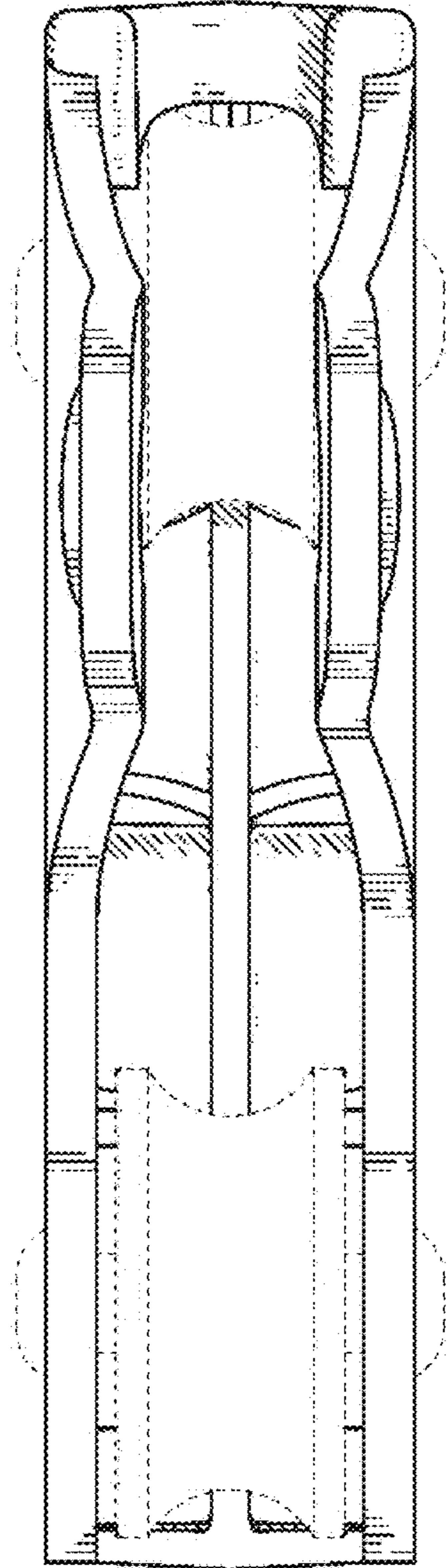


FIG. 7