



US00D862204S

(12) **United States Design Patent**
Russo

(10) **Patent No.:** **US D862,204 S**
(45) **Date of Patent:** **** Oct. 8, 2019**

(54) **LIPPAGE CAP**

- (71) Applicant: **Russo Trading Company, Inc.**,
Menomonee Falls, WI (US)
- (72) Inventor: **William P. Russo**, Hartford, WI (US)
- (73) Assignee: **Russo Trading Company, Inc.**,
Menomonee Falls, WI (US)
- (**) Term: **15 Years**
- (21) Appl. No.: **29/657,930**
- (22) Filed: **Jul. 26, 2018**

Related U.S. Application Data

- (63) Continuation of application No. 29/614,540, filed on Aug. 21, 2017, now Pat. No. Des. 834,922, which is a continuation-in-part of application No. 15/161,398, filed on May 23, 2016, which is a continuation-in-part of application No. 29/552,045, filed on Jan. 20, 2016, now Pat. No. Des. 778,709, which is a continuation-in-part of application No. 14/823,085,
(Continued)

- (51) **LOC (12) Cl.** **08-05**
- (52) **U.S. Cl.**
USPC **D8/355**
- (58) **Field of Classification Search**
USPC D8/105, 307, 310, 313, 321, 354, 355,
D8/382, 387, 71
CPC E04F 19/06; E04F 21/18; E04F 21/0092;
B28D 1/225; G01B 3/30; G09F
2017/0066; G09F 17/00
See application file for complete search history.

(56) **References Cited**

U.S. PATENT DOCUMENTS

- 1,635,313 A 7/1927 Dieterich
- 2,128,844 A 8/1938 Myer

(Continued)

FOREIGN PATENT DOCUMENTS

- BR 10 2014 021953-6 A2 4/2015
- CN 204139562 U 2/2015

(Continued)

OTHER PUBLICATIONS

Tile Cap, Alpha Professional Tools, 5 pages, published at least as early as May 20, 2015.

(Continued)

Primary Examiner — Janice Hallmark
Assistant Examiner — Harold E Blackwell, II
(74) *Attorney, Agent, or Firm* — Klintworth & Rozenblat
IP LLP

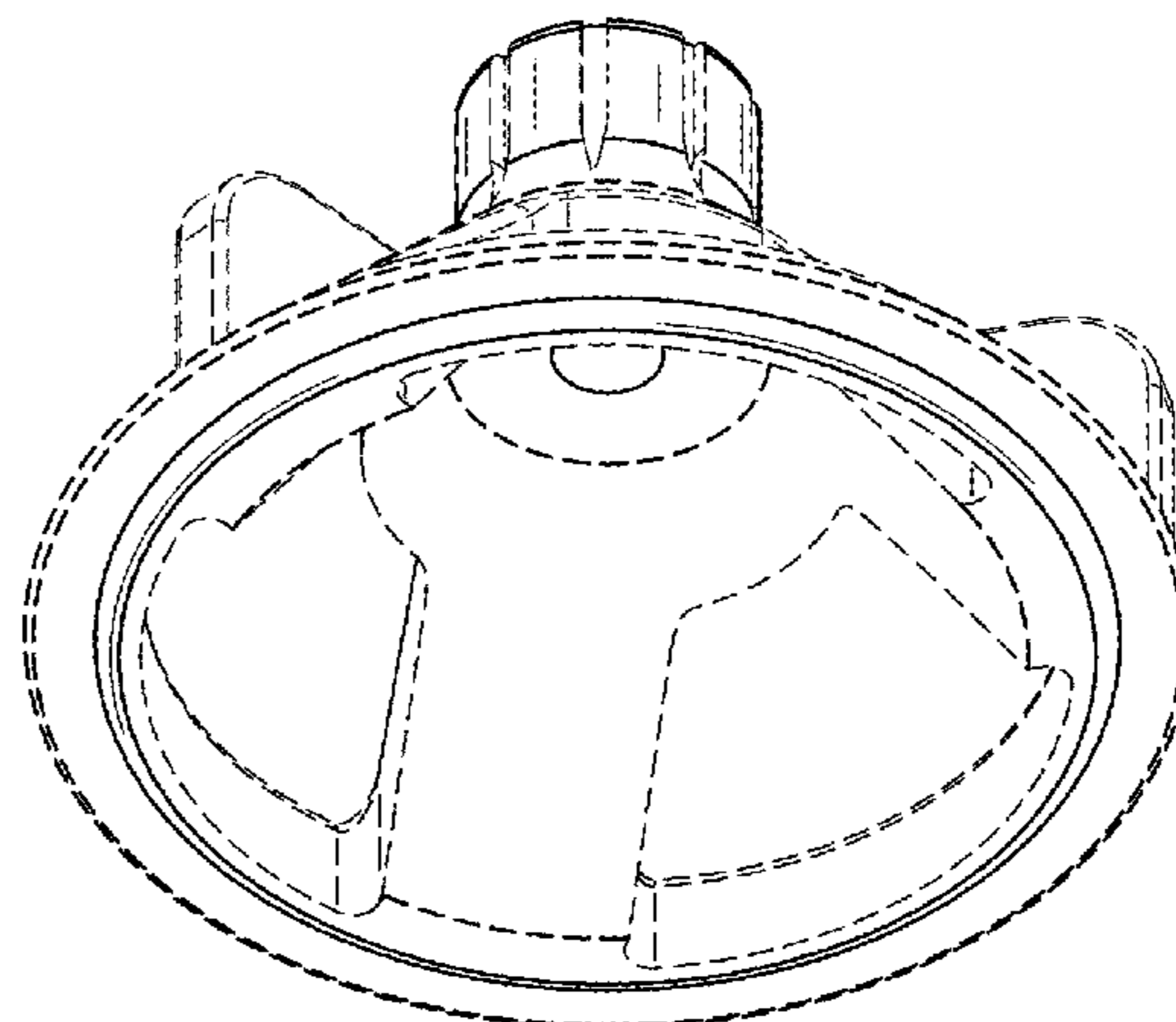
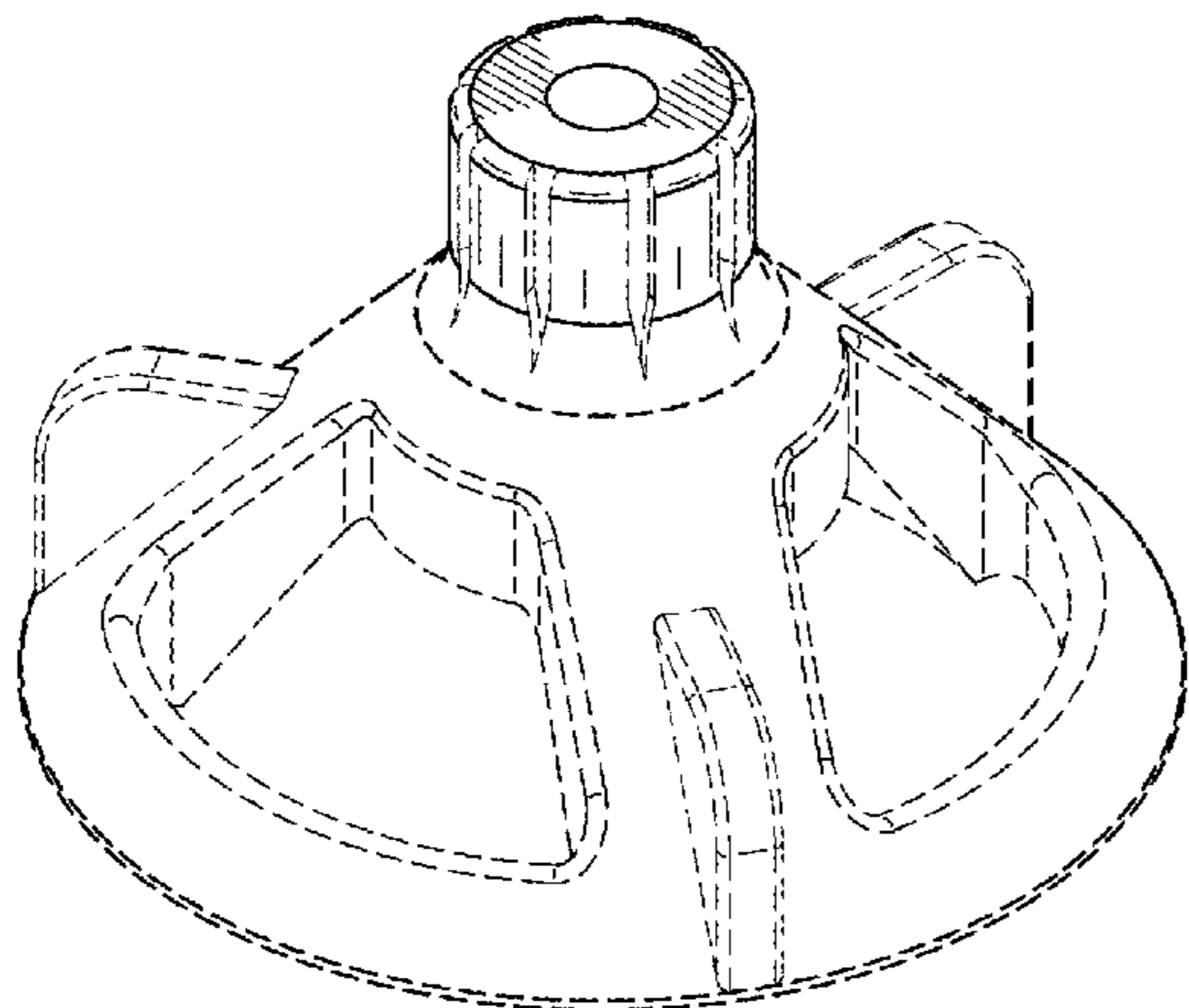
(57) **CLAIM**

I claim the ornamental design for a lippage cap, as shown and described.

DESCRIPTION

FIG. 1 is a top perspective view of a lippage cap.
FIG. 2 is a bottom perspective view of the lippage cap shown in FIG. 1.
FIG. 3 is a top plan view of the lippage cap shown in FIG. 1.
FIG. 4 is a bottom plan view of the lippage cap shown in FIG. 1.
FIG. 5 is a front elevation view of the lippage cap shown in FIG. 1.
FIG. 6 is a right side elevation view of the lippage cap shown in FIG. 1.
FIG. 7 is a left side elevation view of the lippage cap shown in FIG. 1; and,
FIG. 8 is a top perspective view of the lippage cap shown in FIG. 1 with the lippage cap shown in one example of an environment.
The broken lines illustrate environmental subject matter that forms no part of the claimed design.

1 Claim, 4 Drawing Sheets



Related U.S. Application Data

filed on Aug. 11, 2015, now Pat. No. 9,279,259, which is a continuation-in-part of application No. 14/718,131, filed on May 21, 2015, now Pat. No. 9,322,185.

(56)

References Cited

U.S. PATENT DOCUMENTS

3,552,257	A	1/1971	Tanabe
3,961,453	A	6/1976	Couwenbergs
4,024,683	A	5/1977	Kilian
D269,852	S	7/1983	Frieberg
4,397,125	A	8/1983	Gussler, Jr.
D276,310	S	11/1984	Frieberg
4,546,580	A	10/1985	Ueno
5,020,953	A	6/1991	Wada
D327,111	S	6/1992	Hemming
D332,390	S	1/1993	Adams
D335,441	S	5/1993	Fraker
5,211,372	A	5/1993	Smith, Jr.
5,269,114	A	12/1993	Albers
5,827,028	A	10/1998	Swick
D408,268	S	4/1999	Dunn
6,047,520	A	4/2000	Caraballo
6,056,519	A	5/2000	Morita
D460,571	S	7/2002	Schimmelpfennig
6,612,082	B2	9/2003	Schimmelpfennig
D491,443	S	6/2004	Lowery
D528,407	S	9/2006	Schwab
7,257,926	B1	8/2007	Kirby
D554,491	S	11/2007	Stenberg
7,367,786	B2	5/2008	Kang
7,472,522	B2	1/2009	Yang
D589,327	S	3/2009	Carnevali
D590,696	S	4/2009	Carnevali
7,603,825	B2	10/2009	Dohren
7,621,100	B2	11/2009	Kufner
D609,552	S	2/2010	Anderson
7,818,923	B2	10/2010	Alvarez
D630,077	S	1/2011	Kufner
D630,078	S	1/2011	Kufner
7,861,487	B2	1/2011	Kufner
7,874,113	B2	1/2011	Eberle, III
7,946,093	B1	5/2011	Sturino
D640,119	S	6/2011	Kufner
7,954,300	B1	6/2011	Kufner
7,992,354	B2	8/2011	Dada, Jr.
D645,337	S	9/2011	Hsu
8,079,199	B1	12/2011	Kufner
D654,348	S	2/2012	Musselman
D658,963	S	5/2012	Kufner
8,181,420	B2	5/2012	Torrents I Comas
D664,170	S	7/2012	Chung
8,336,279	B2	12/2012	Kufner
D678,039	S	3/2013	Psaila
8,429,878	B1	4/2013	Hoffman
8,429,879	B1	4/2013	Hoffman et al.
D692,747	S	11/2013	Schwab
8,635,815	B2	1/2014	Bordin
8,671,628	B2	3/2014	Sighinolfi
D703,034	S	4/2014	Stewart
8,689,522	B2	4/2014	Hoffman
8,820,031	B2	9/2014	Kufner
8,845,202	B2	9/2014	Teimel
8,887,475	B2	11/2014	Ghelfi
8,950,079	B2	2/2015	Hillebrandt
8,960,655	B2	2/2015	Wood
D734,119	S	7/2015	Kufner
D735,557	S	8/2015	Leshem
9,127,466	B2	9/2015	Hinkle
D742,719	S	11/2015	Komura
9,228,363	B2	1/2016	Kutner
D748,973	S	2/2016	Rodenhouse
9,279,259	B1	3/2016	Russo
9,322,185	B1	4/2016	Russo

9,322,186	B1	4/2016	Chang et al.
9,328,522	B2	5/2016	Bordin
D760,566	S	7/2016	Biec
D762,458	S	8/2016	Horne
9,470,002	B2	10/2016	Irvine
D775,935	S	1/2017	Sarajian
D776,519	S	1/2017	Almaghlouth
D778,709	S	2/2017	Russo
D783,393	S	4/2017	Weifenbach
9,657,485	B2	5/2017	Meyers
9,874,032	B1	1/2018	Chen
D820,059	S	6/2018	Biec
D821,838	S	7/2018	Castellanos
10,053,872	B2	8/2018	Sighinolfi
D834,922	S *	12/2018	Russo D8/355
D837,016	S *	1/2019	Psaila D8/71
2002/0089106	A1	7/2002	Hornig
2006/0185269	A1	8/2006	Kufner et al.
2009/0126213	A1	5/2009	Tavy
2009/0288357	A1	11/2009	Kubicek
2009/0313927	A1	12/2009	Myers, Jr.
2013/0067854	A1	3/2013	Bordin
2013/0247508	A1	9/2013	Hoffman
2014/0008557	A1	1/2014	Vandamme
2014/0325936	A1	11/2014	PSaila
2015/0211243	A1	7/2015	Irvine
2015/0240504	A1	8/2015	Hoffman
2015/0267420	A1	9/2015	Fontana
2016/0102724	A1	4/2016	Potter
2016/0369518	A1	12/2016	Sarajian
2018/0100315	A1	4/2018	Volponi
2018/0163415	A1	6/2018	Psaila

FOREIGN PATENT DOCUMENTS

EP	2 241 702	A2	10/2010
EP	2 549 030	B1	11/2014
ES	1 138 645		4/2015
FR	2678663	A1	1/1993
JP	2013-204318	A	10/2013
JP	2013204318	A	10/2013
WO	2009/022359	A1	2/2009
WO	2013/023236	A1	2/2013
WO	2014/022889	A1	2/2014
WO	2014022889	A1	2/2014

OTHER PUBLICATIONS

Alleged, but unverified, English translation of BR 10 2014 021 953-6, allegedly certified by Performance Language Solutions, dated Jan. 15, 2019, 24 pages, it cannot be guaranteed that this alleged certified translation is intelligible, accurate, complete, reliable or fit for specific purposes, critical decisions should not be based on this alleged certified translation.

Alleged, but unverified, English translation of ES 1 138 645, allegedly certified by Performance Language Solutions, dated Jan. 15, 2019, 24 pages, it cannot be guaranteed that this alleged certified translation is intelligible, accurate, complete, reliable or fit for specific purposes, critical decisions should not be based on this alleged certified translation.

Alleged, but unverified, English translation of CN204139562, allegedly certified by Performance Language Solutions, dated Jan. 14, 2019, 24 pages, it cannot be guaranteed that this alleged certified translation is intelligible, accurate, complete, reliable or fit for specific purposes, critical decisions should not be based on this alleged certified translation.

Alleged, but unverified, English translation of JP2013-204318, allegedly certified by Performance Language Solutions, dated Jan. 15, 2019, 24 pages, it cannot be guaranteed that this alleged certified translation is intelligible, accurate, complete, reliable or fit for specific purposes, critical decisions should not be based on this alleged certified translation.

Bruno Plast Tile-Laying System, www.brunoplast.de/gambio/index.php, downloaded Jun. 3, 2015, (2) pages.

(56)

References Cited

OTHER PUBLICATIONS

Proleveling Universal Rotating Pommel Cap 50, www.flooringsupplyshop.com/tool-109/proleveling-system-609/proleveling-universal-rotating-pommel-50-618.html, downloaded, Jun. 3, 2015 (3) pages.

Tuscan SeamClip Leveling System, www.tuscanleveling.com/Products/Seamclip/seamclip.html, downloaded Jun. 3, 2015, (3) pages.

RTC Tornado Leveling System, www.rtcproducts.com/us/tornado-tile-leveling-system/, downloaded Jun. 3, 2015, (4) pages.

Raimondi RLS Tile Leveling Spacers System, www.flooringsupplyshop.com/blog/cool-tools/raimondi-rtt-tile-leveling-spacers-system#, download Jun. 3, 2015, (11) pages.

Non-certified English machine translation of BR 10 2014 021 953-6, origin of machine translation unknown, 4 pages, it cannot be guaranteed that this machine translation is intelligible, accurate, complete, reliable or fit for specific purposes, critical decisions should not be based on machine-translation output.

Non-certified English machine translation of ES 1 138 645, origin of machine translation is Espacenet.com powered by the European Patent Office and Google, 6 pages, it cannot be guaranteed that this machine translation is intelligible, accurate, complete, reliable or fit for specific purposes, critical decisions should not be based on machine-translation output.

Non-certified English machine translation of CN204139562, origin of machine translation is Espacenet.com powered by the European Patent Office and Google, 6 pages, it cannot be guaranteed that this machine translation is intelligible, accurate, complete, reliable or fit for specific purposes, critical decisions should not be based on machine-translation output.

Non-certified English machine translation of JP2013-204318, origin of machine translation is Espacenet.com powered by the European Patent Office and Google, 17 pages, it cannot be guaranteed that this machine translation is intelligible, accurate, complete, reliable or fit for specific purposes, critical decisions should not be based on machine-translation output.

* cited by examiner

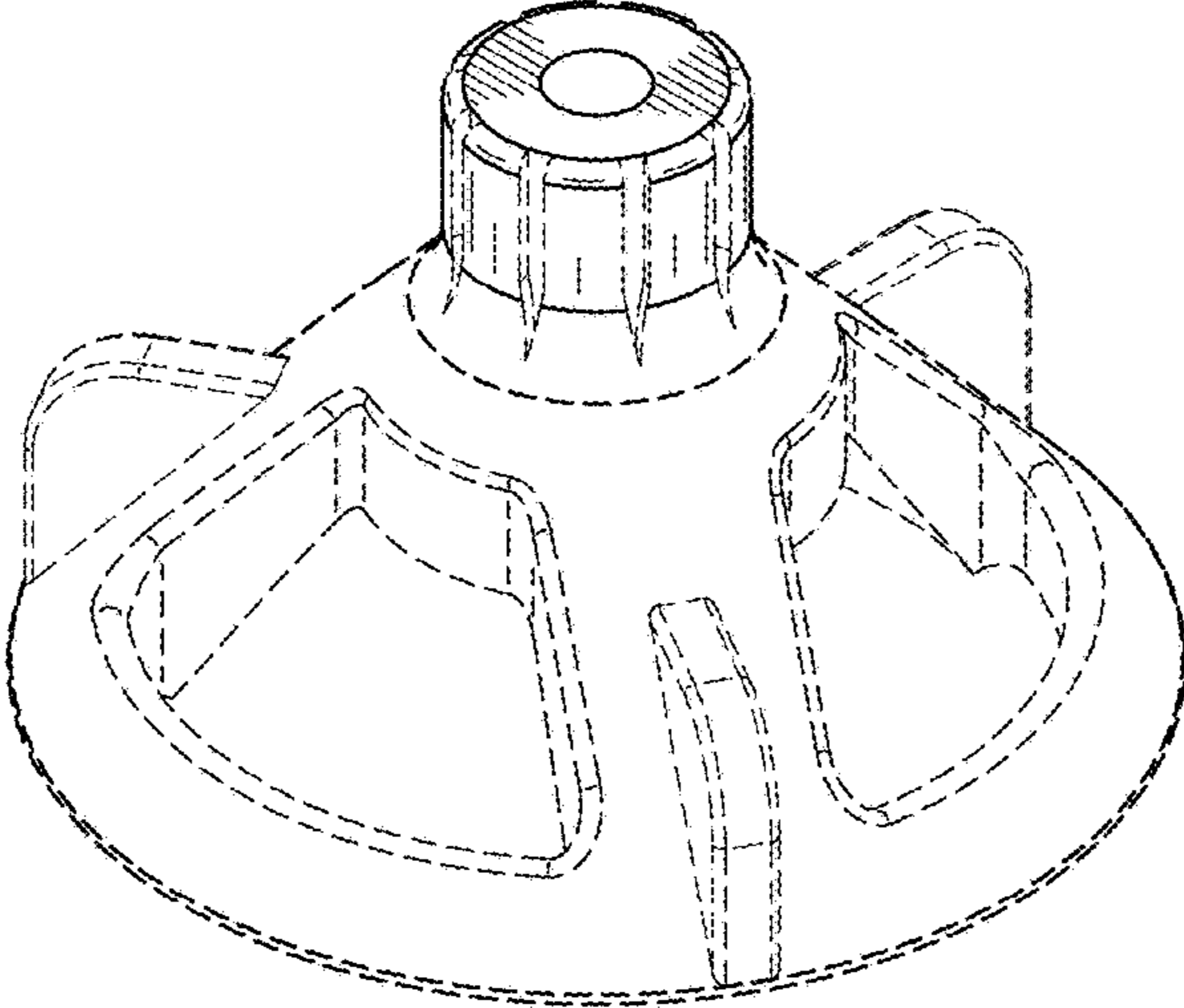


FIG. 1

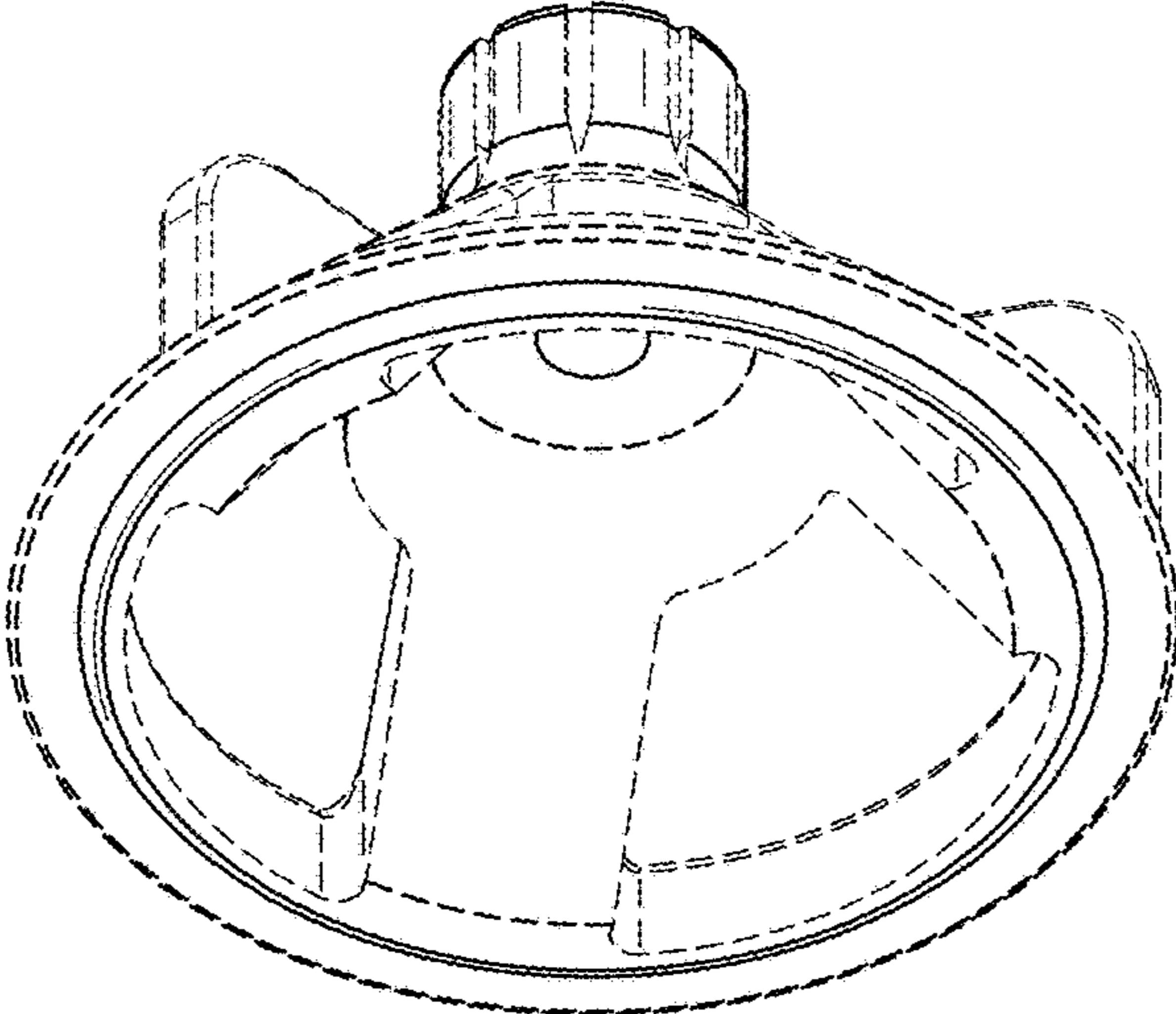


FIG. 2

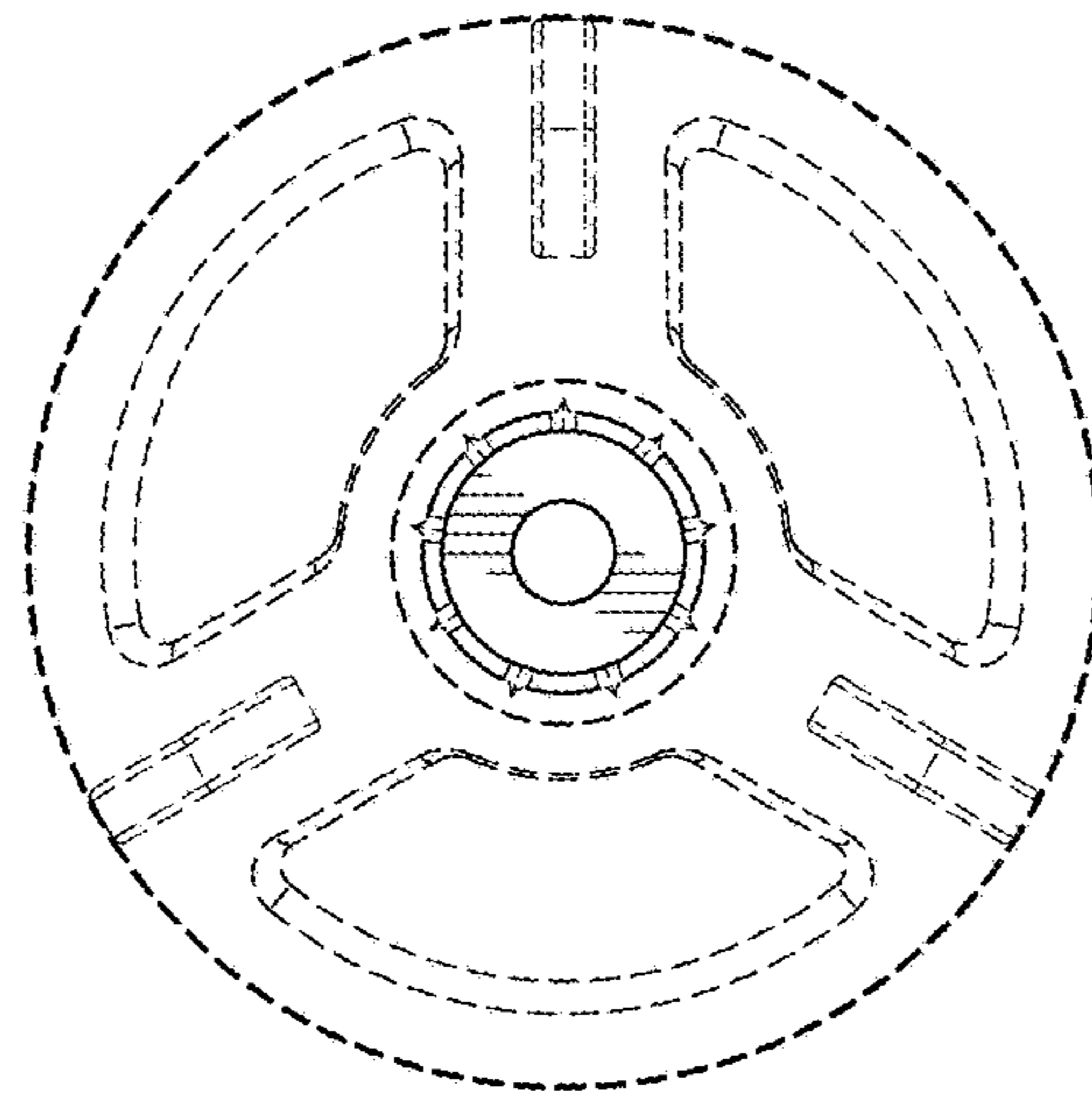


FIG. 3

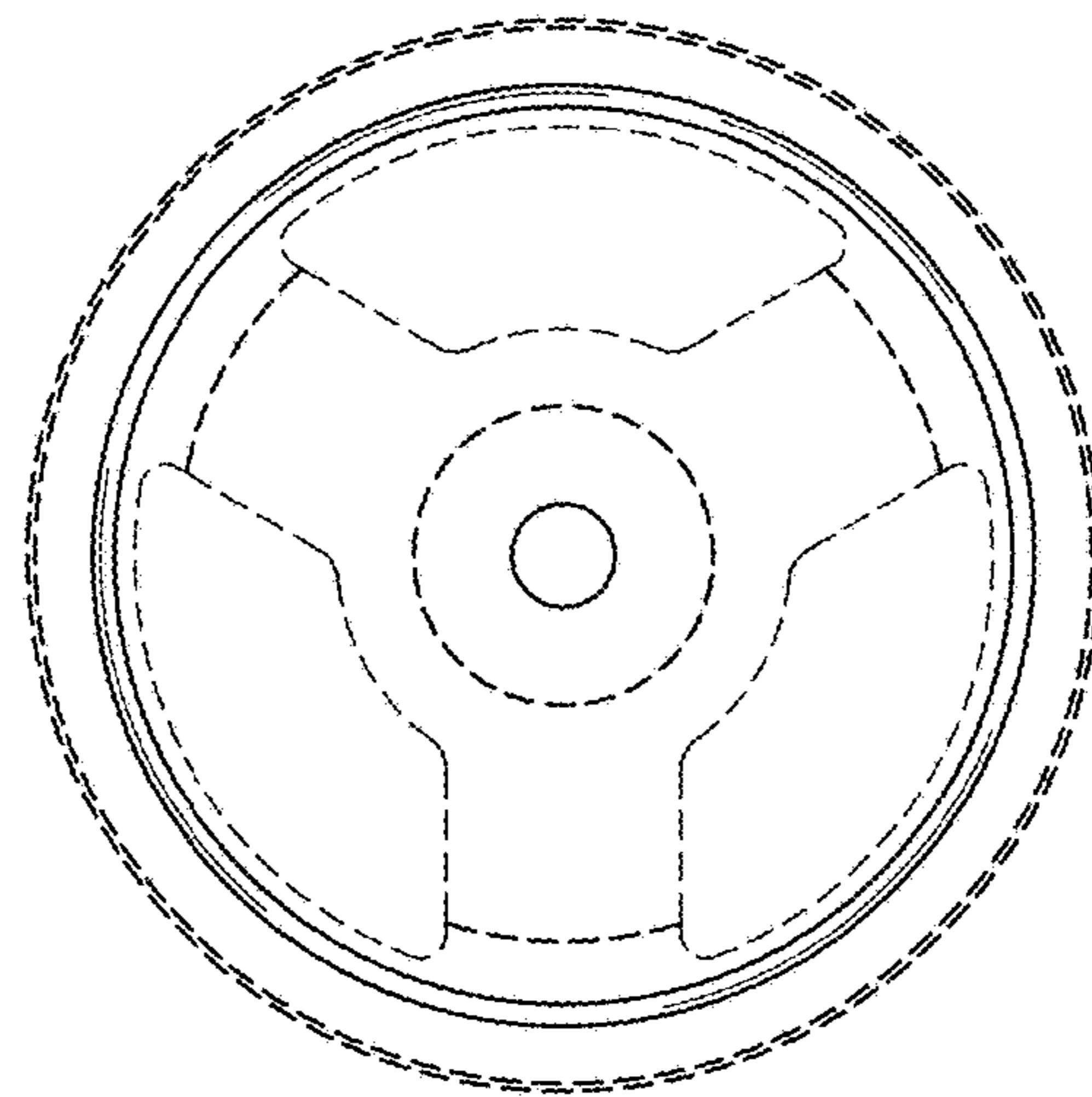


FIG. 4

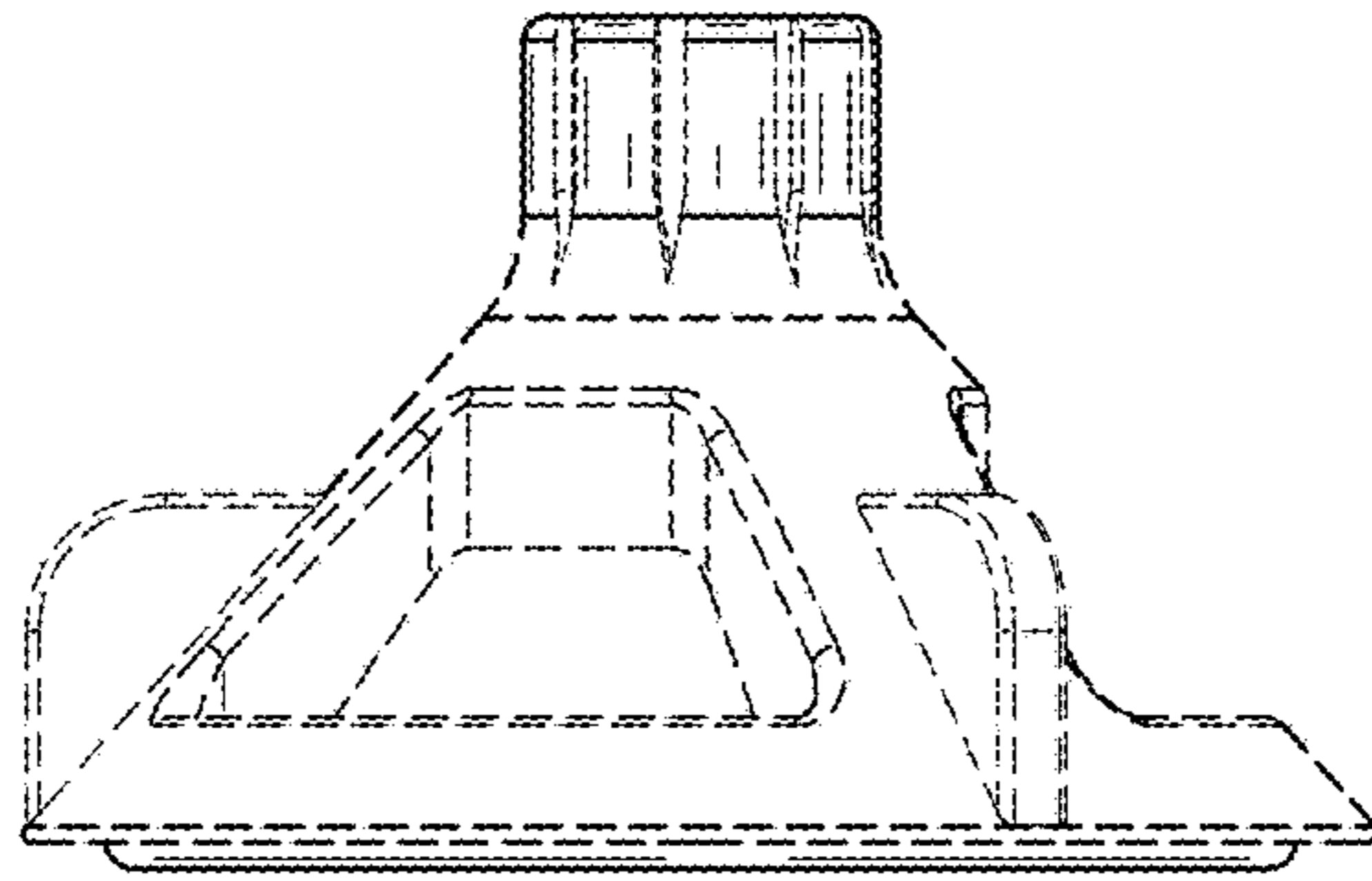


FIG. 5

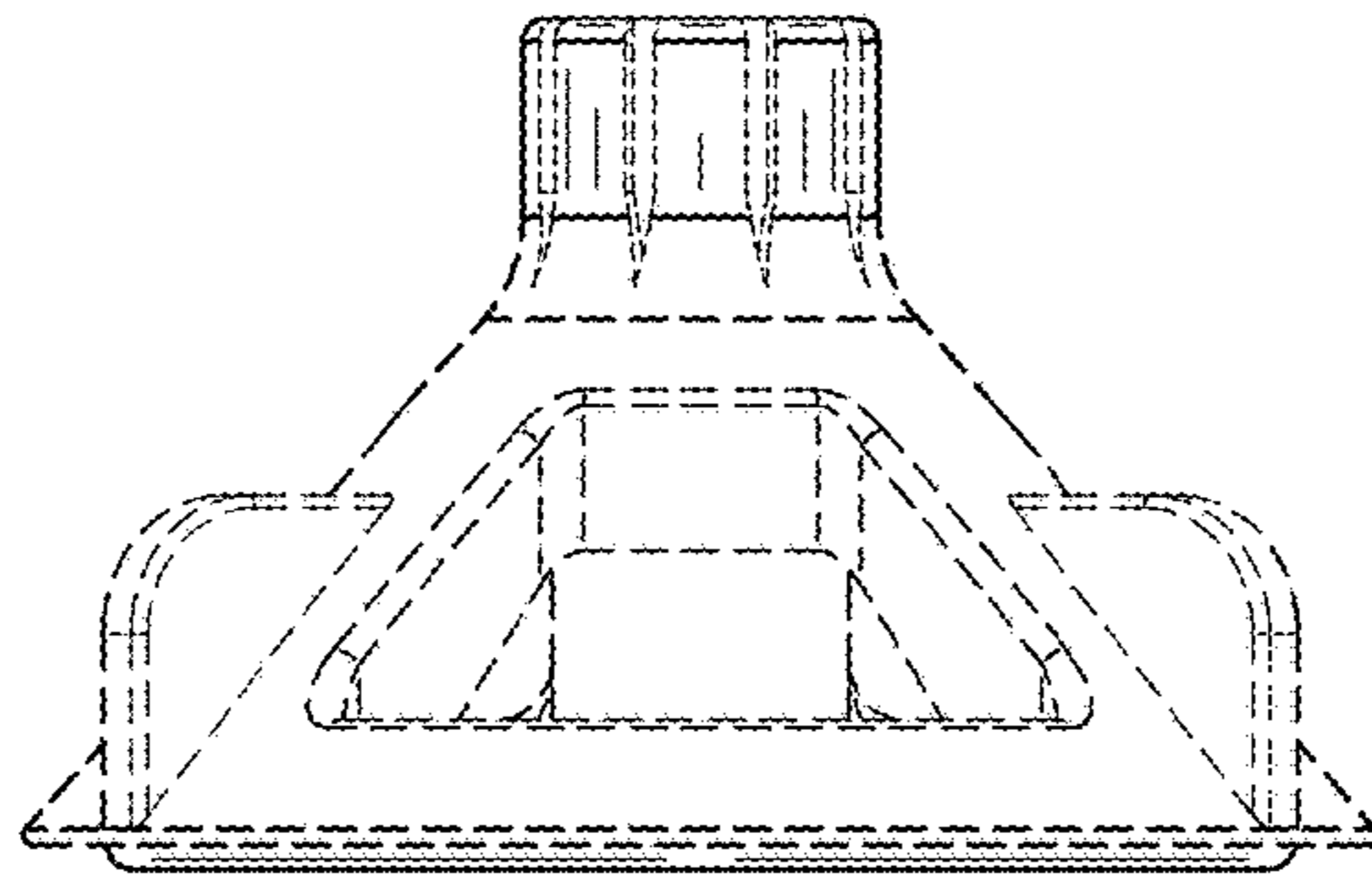


FIG. 6

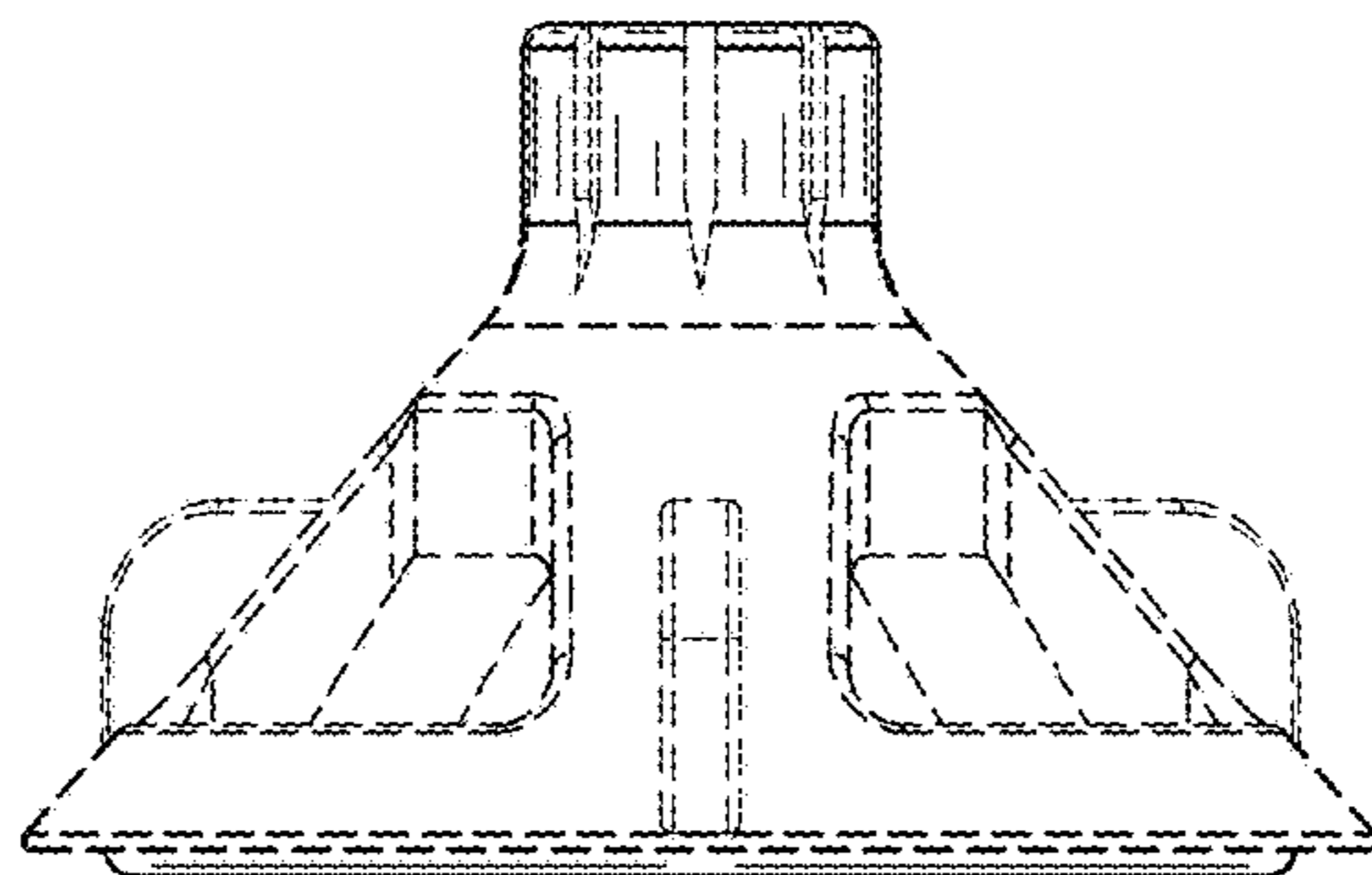


FIG. 7

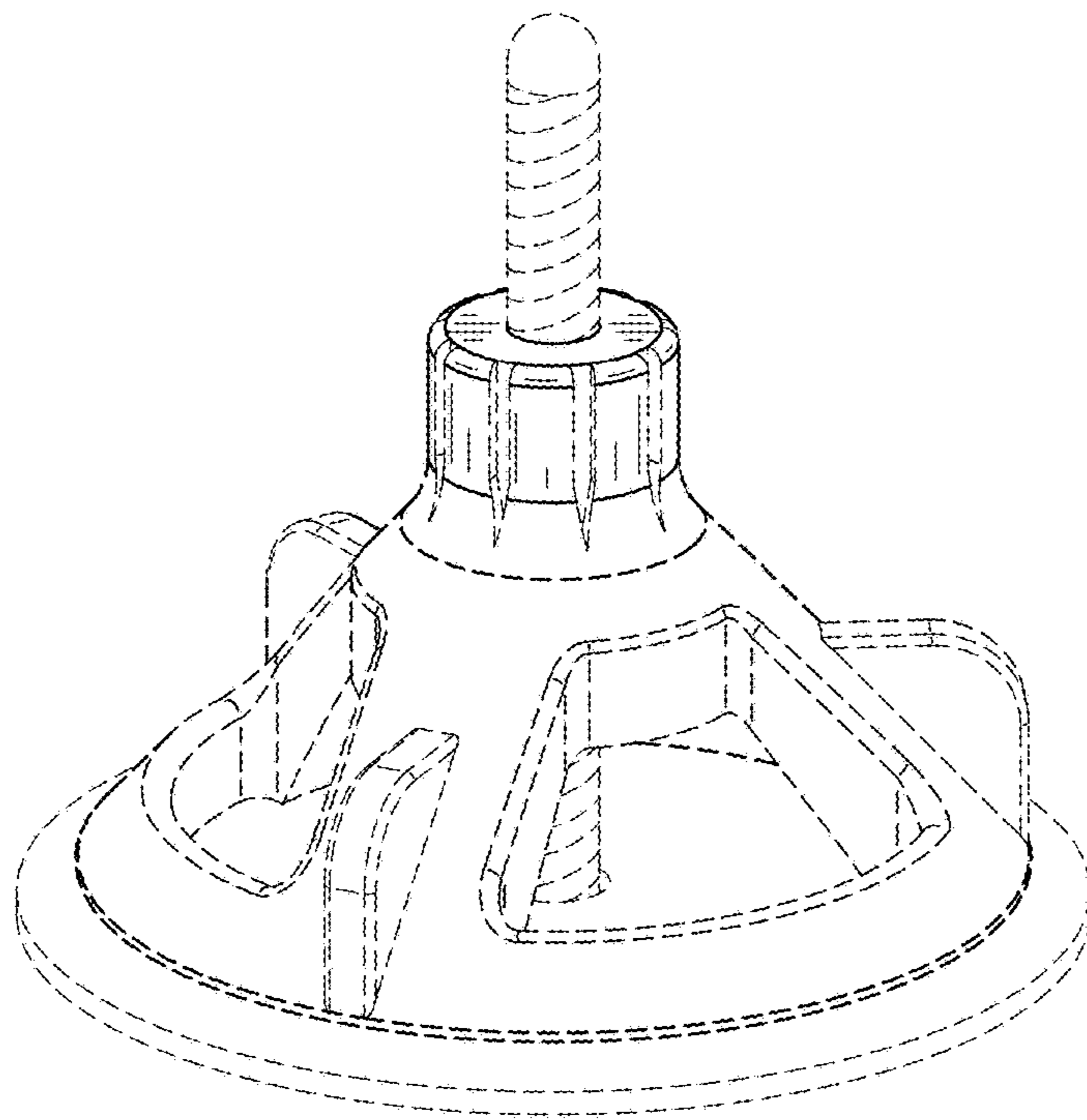


FIG. 8