



US00D862203S

(12) **United States Design Patent** (10) **Patent No.:** **US D862,203 S**
Beagen (45) **Date of Patent:** **** Oct. 8, 2019**

(54) **CONDUIT HANGER ADAPTER**
(71) Applicant: **Anvil International, LLC**, Exeter, NH (US)
(72) Inventor: **Joseph Beagen**, North Attleboro, MA (US)

3,838,712 A 10/1974 Courtney et al.
3,960,350 A 6/1976 Tardoskegyi
4,793,578 A 12/1988 Howard
4,834,186 A 5/1989 Ballard
D332,481 S 1/1993 Petty et al.
(Continued)

(73) Assignee: **Anvil International, LLC**, Exeter, NH (US)

FOREIGN PATENT DOCUMENTS

CA 2921391 2/2015
JP 2000317008 11/2000
WO 2019010319 1/2019

(**) Term: **15 Years**

OTHER PUBLICATIONS

(21) Appl. No.: **29/680,987**

(22) Filed: **Feb. 21, 2019**

Beagen, Joseph; Requirement for Restriction/Election for U.S. Appl. No. 15/644,141, filed Jul. 7, 2017, dated Jan. 3, 2019, 5 pgs.
(Continued)

Related U.S. Application Data

(63) Continuation of application No. 29/625,298, filed on Nov. 8, 2017, now Pat. No. Des. 846,970.

(51) **LOC (12) Cl.** **08-05**

(52) **U.S. Cl.**
USPC **D8/354**

(58) **Field of Classification Search**
USPC D8/354, 349, 356, 364, 367, 373, 380,
D8/382, 383, 396; D23/262, 265
CPC H02G 3/0691; H02G 3/06; H02G 3/0616
See application file for complete search history.

Primary Examiner — Janice Hallmark
Assistant Examiner — Harold Blackwell, II
(74) *Attorney, Agent, or Firm* — Taylor English Duma LLP

(57) **CLAIM**

I claim the ornamental design for a conduit hanger adapter, as shown and described.

DESCRIPTION

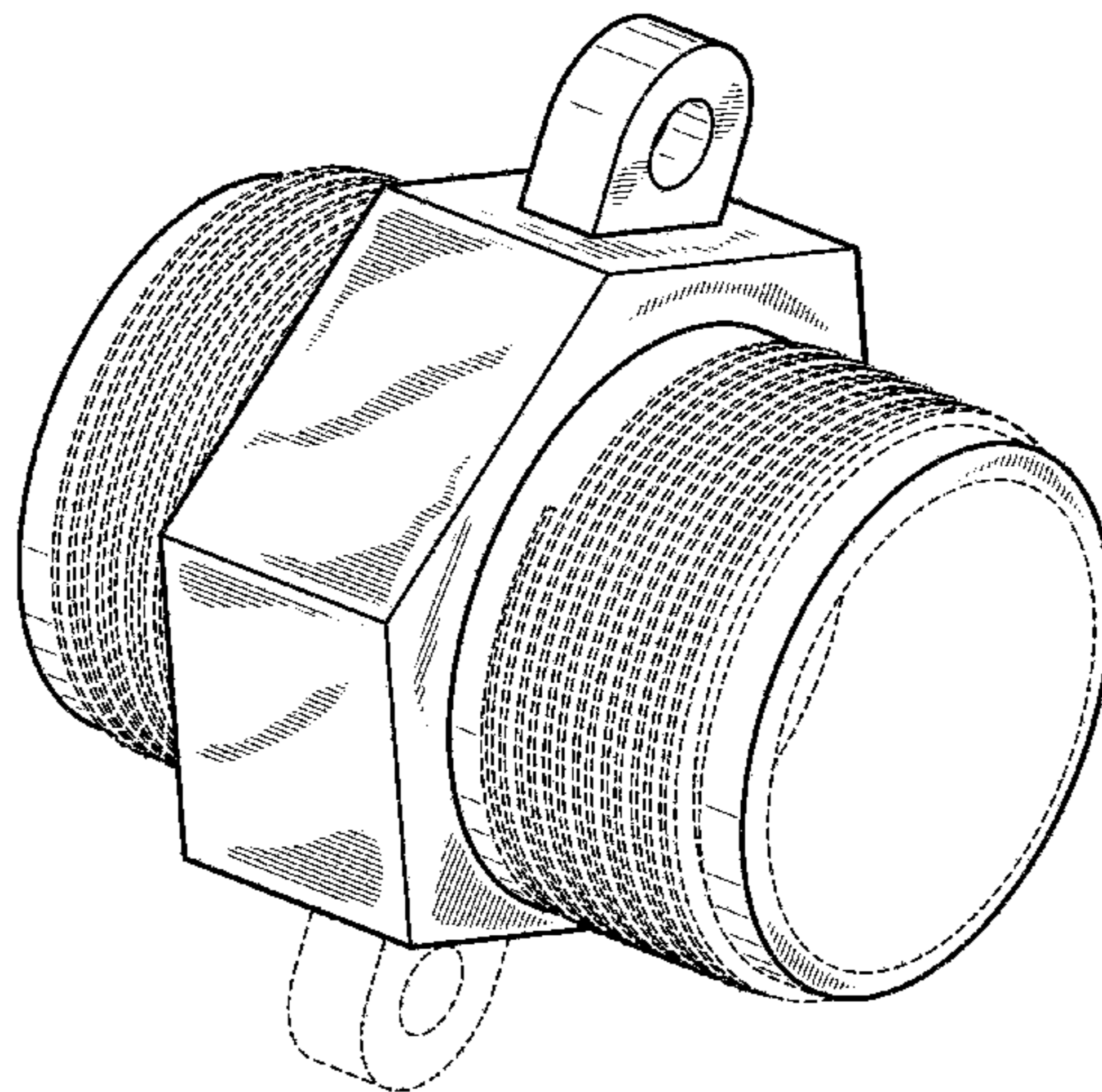
(56) **References Cited**

U.S. PATENT DOCUMENTS

D884,661 4/1908 Howe
1,052,837 A 2/1913 Makutchan
1,760,224 A 5/1930 Wray
1,838,623 A 12/1931 Hersey et al.
2,246,557 A 6/1941 Walters
D152,275 S * 1/1949 Ludwig D13/134
2,698,760 A 1/1955 Roth et al.
3,194,590 A 7/1965 Cook
3,244,388 A 4/1966 Coffman
3,414,220 A 12/1968 Walker
3,539,139 A 11/1970 Eucker

FIG. 1 is an isometric view showing my new design;
FIG. 2 is a top view thereof;
FIG. 3 is a bottom view thereof;
FIG. 4 is a first end view thereof, wherein a second end view is identical to FIG. 4;
FIG. 5 is a first end view thereof; and,
FIG. 6 is a second end view thereof.
The invention pertains to an ornamental design for a conduit hanger adapter. The solid lines represent the bounds of the claimed design, whereas those features shown in broken lines form no part of the claimed design.

1 Claim, 4 Drawing Sheets



(56)

References Cited

U.S. PATENT DOCUMENTS

5,209,440 A 5/1993 Walker
 5,226,456 A 7/1993 Semak
 5,344,108 A 9/1994 Heath
 5,474,274 A 12/1995 Bernosky
 5,702,077 A 12/1997 Heath
 D397,413 S 8/1998 Sapp
 6,086,029 A 7/2000 Oliver
 6,135,397 A 10/2000 Santa Cruz et al.
 6,158,519 A 12/2000 Kretschmer
 6,484,976 B1 12/2002 Boutin
 6,488,097 B1 12/2002 MacDonald, III et al.
 6,655,641 B2 12/2003 Sherman et al.
 6,896,301 B2 5/2005 Brice
 D544,448 S 6/2007 Hull et al.
 D554,237 S 10/2007 Lewis et al.
 D594,938 S 6/2009 Dirneder
 7,793,988 B1 9/2010 Shemtov
 D647,784 S 11/2011 McNamara
 8,056,938 B2 11/2011 Shen et al.
 D659,644 S 5/2012 Gretz
 8,875,743 B2 11/2014 Persaud et al.
 D724,699 S 3/2015 Wyne
 9,140,277 B2 9/2015 McMillen et al.
 9,375,594 B2 6/2016 Stempo et al.
 9,464,749 B2 10/2016 Heath
 D777,885 S 1/2017 Zhang et al.
 D779,046 S 2/2017 Tansey, Jr.
 D782,621 S 3/2017 Smith
 D787,648 S 5/2017 Smith
 9,709,192 B1 7/2017 Newcomb et al.
 9,951,821 B1 4/2018 Franzino
 10,006,565 B2 6/2018 Kito et al.
 D822,180 S 7/2018 Rolston
 D832,222 S 10/2018 Johnson et al.
 D854,915 S 7/2019 Beagen
 2002/0195817 A1 12/2002 Choi
 2004/0094960 A1 5/2004 Brice

2005/0051674 A1 3/2005 Breeden et al.
 2007/0205601 A1* 9/2007 Shemtov F16L 5/06
 285/151.1
 2008/0011908 A1 1/2008 Wilson et al.
 2009/0224533 A1 9/2009 Richter
 2010/0038494 A1 2/2010 Osborn
 2011/0147538 A1 6/2011 Schiefelbein, Jr.
 2013/0233430 A1 9/2013 Stempo et al.
 2014/0020777 A1* 1/2014 Kacik F16K 3/04
 137/801
 2015/0048614 A1* 2/2015 Coyle, Jr. F16L 19/12
 285/322
 2015/0069750 A1* 3/2015 Jung H02G 3/0675
 285/14
 2017/0082232 A1 3/2017 Bosis et al.
 2017/0184222 A1 6/2017 Aker
 2018/0099167 A1 4/2018 Dafoneseca et al.
 2019/0009295 A1 1/2019 Beagen

OTHER PUBLICATIONS

Beagen, Joseph; International Search Report for PCT Application No. PCT/US18/40938, filed Jul. 5, 2018, dated Oct. 1, 2018, 11 pgs.
 Uponor-USA.com, "How an Uponor AquaSAFE Multipurpose System Works" [online], Mar. 24, 2016 (Mar. 24, 2016), (retrieved from the Internet on Jun. 9, 2018) <URL https://www.uponor-usa.com/residential-fire-safety/builder/how-multipurpose-works.aspx>; 2 pgs.
 Beagen, Joseph; Ex Parte Quayle Action for U.S. Appl. No. 29/625,298, filed Nov. 8, 2017, dated Oct. 2, 2018, 7 pgs.
 Beagen, Joseph; Notice of Allowance for Design U.S. Appl. No. 29/625,298, filed Nov. 8, 2017, dated Dec. 7, 2018, 13 pgs.
 Beagen, Joseph; Non-Final Office Action for U.S. Appl. No. 15/644,141, filed Jul. 7, 2017, dated Mar. 27, 2019, 16 pgs.
 Beagen, Joseph; Issue Notification for Design U.S. Appl. No. 29/625,298, filed Nov. 8, 2017, dated Apr. 10, 2019, 1 pg.
 Beagen, Joseph; Notice of Allowance for U.S. Appl. No. 29/625,298, filed Nov. 8, 2017, dated Jun. 3, 2019, 14 pgs.

* cited by examiner

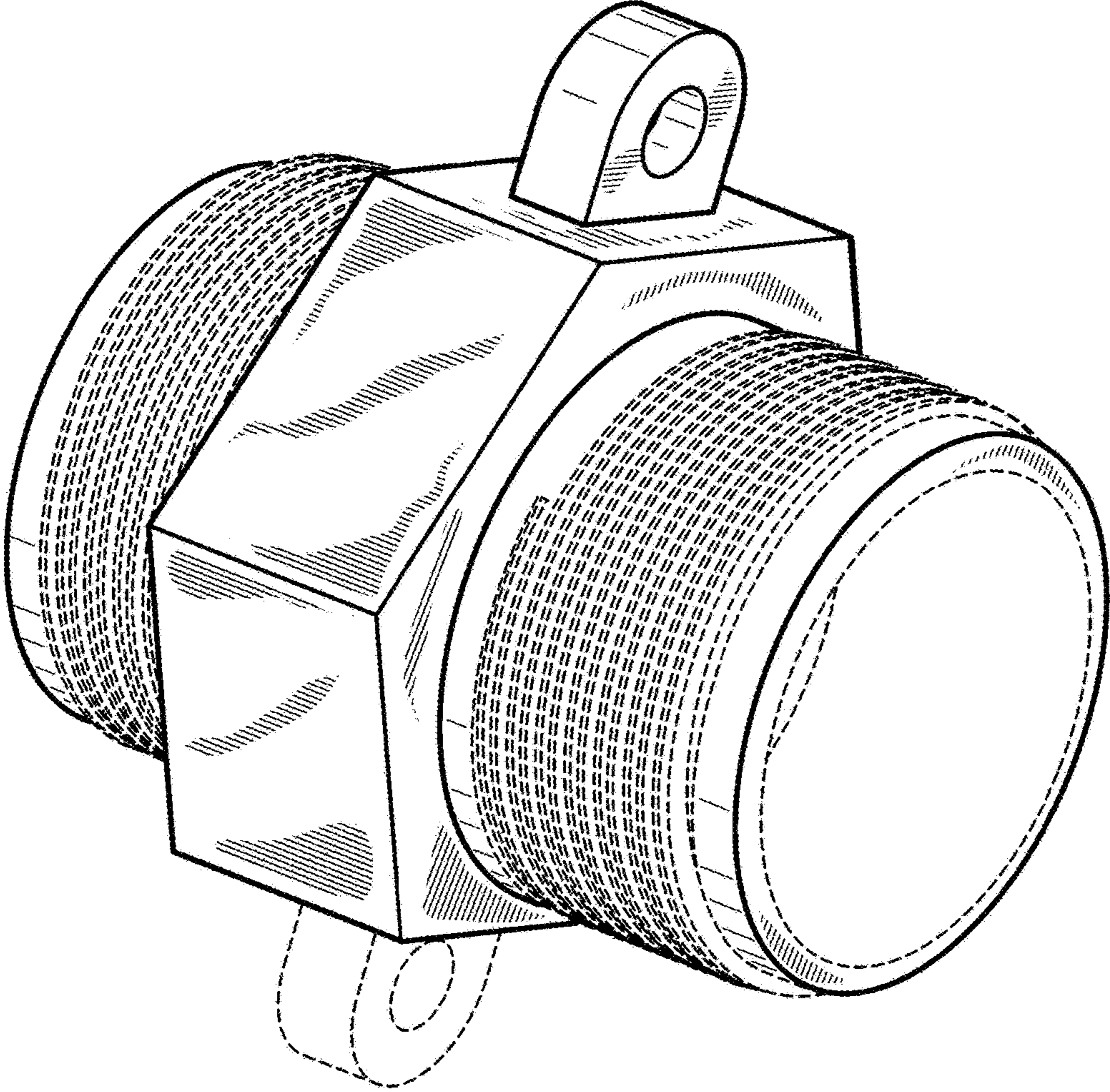


FIG. 1

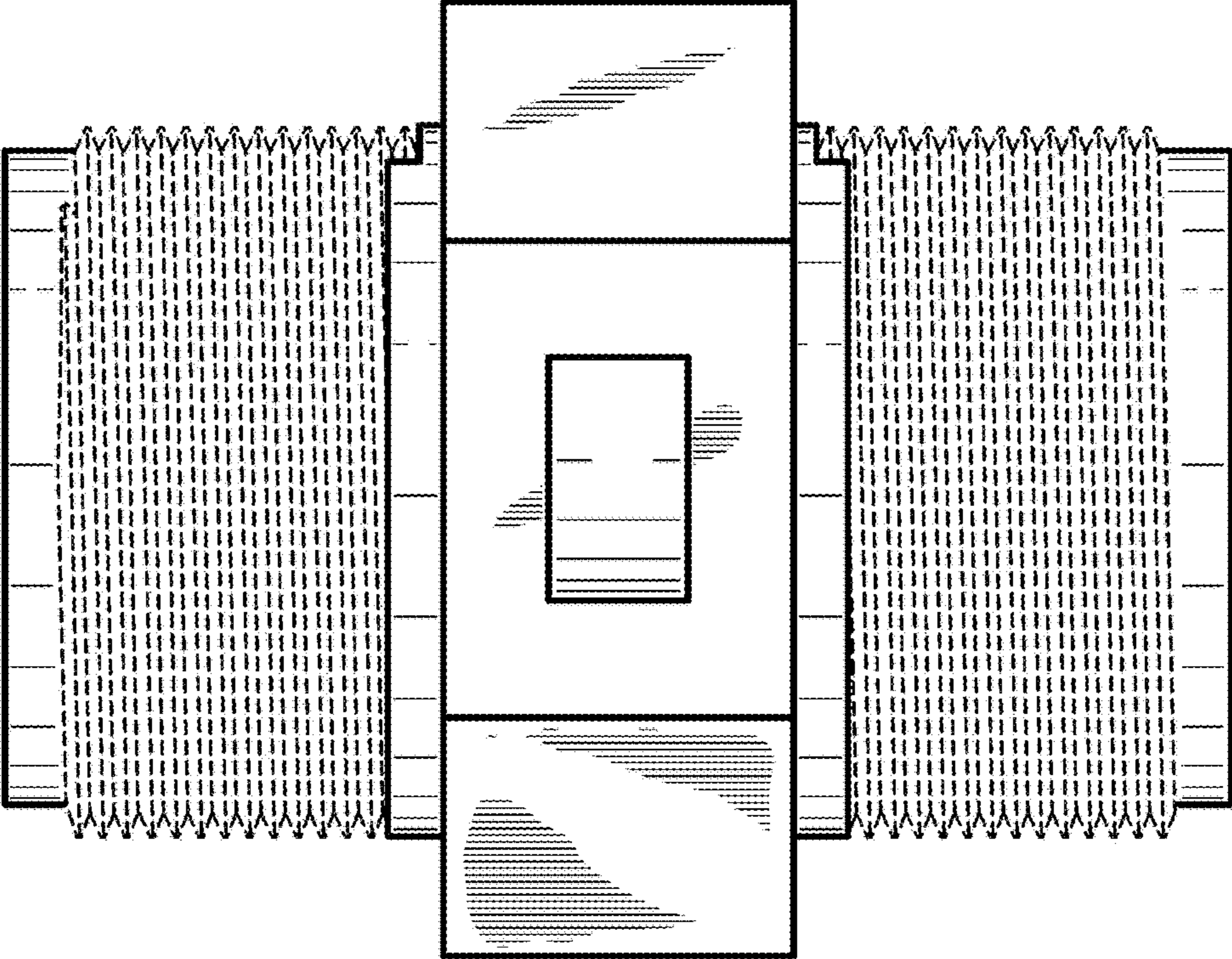


FIG. 2

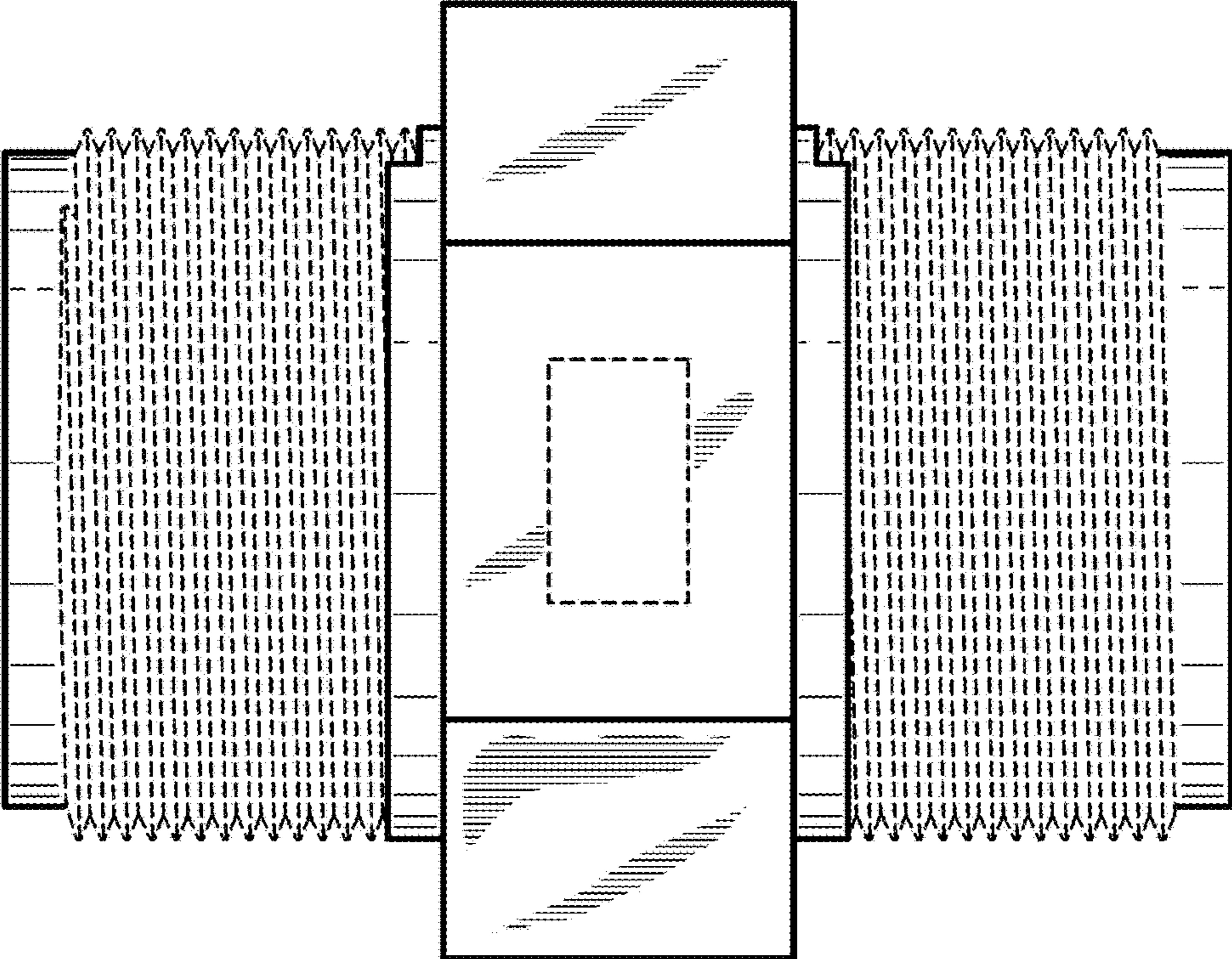


FIG. 3

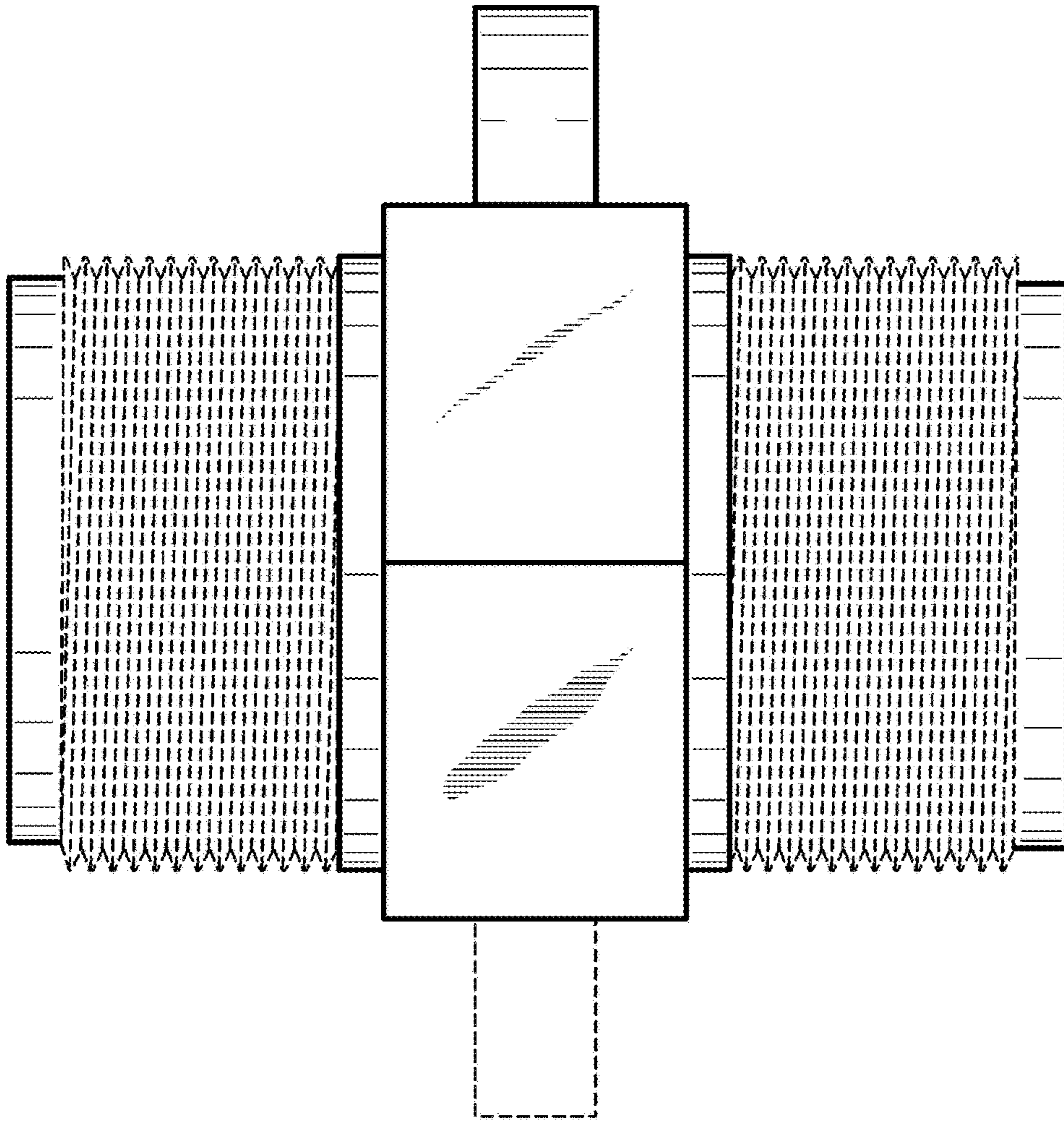


FIG. 4

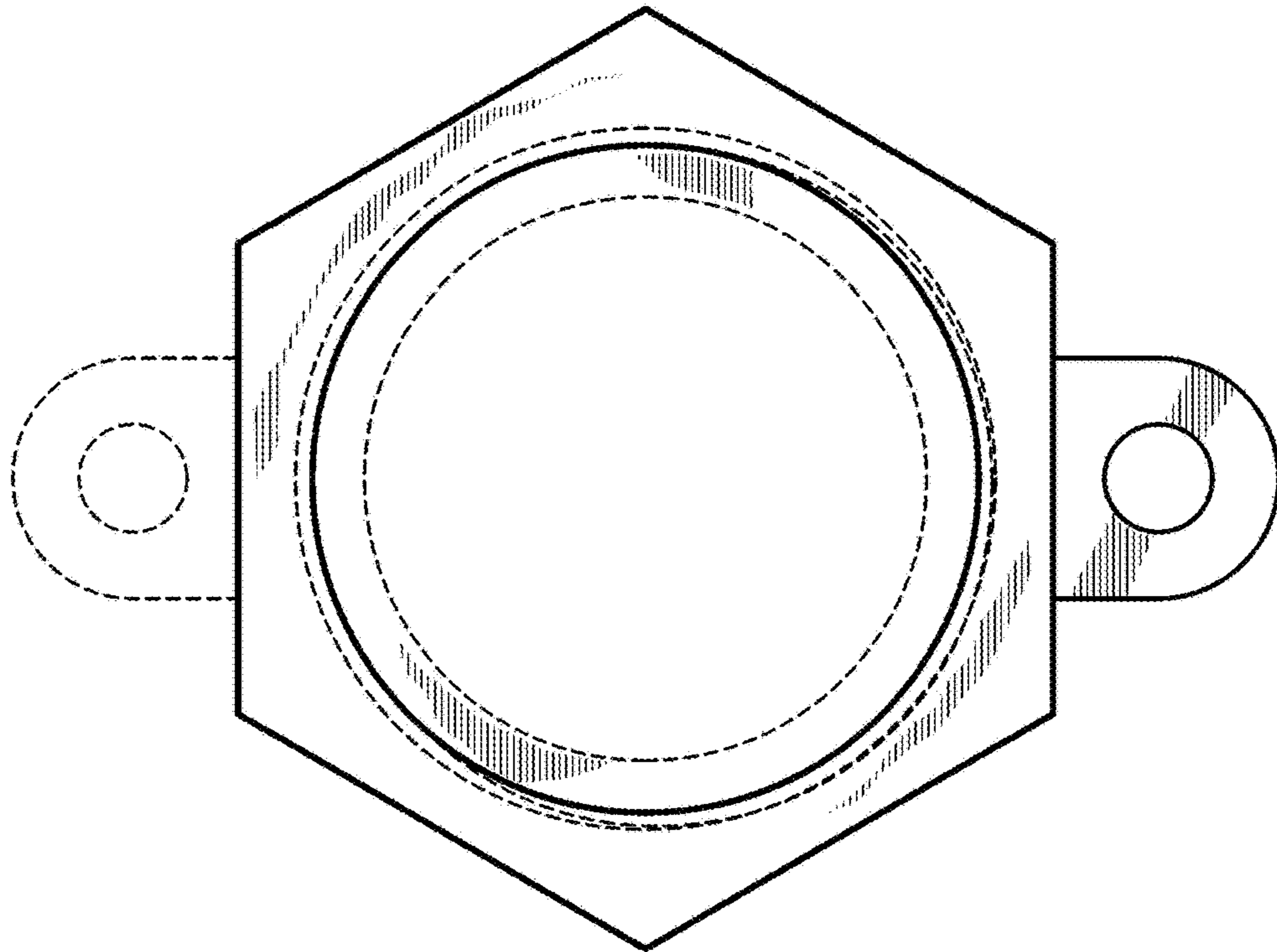


FIG. 5

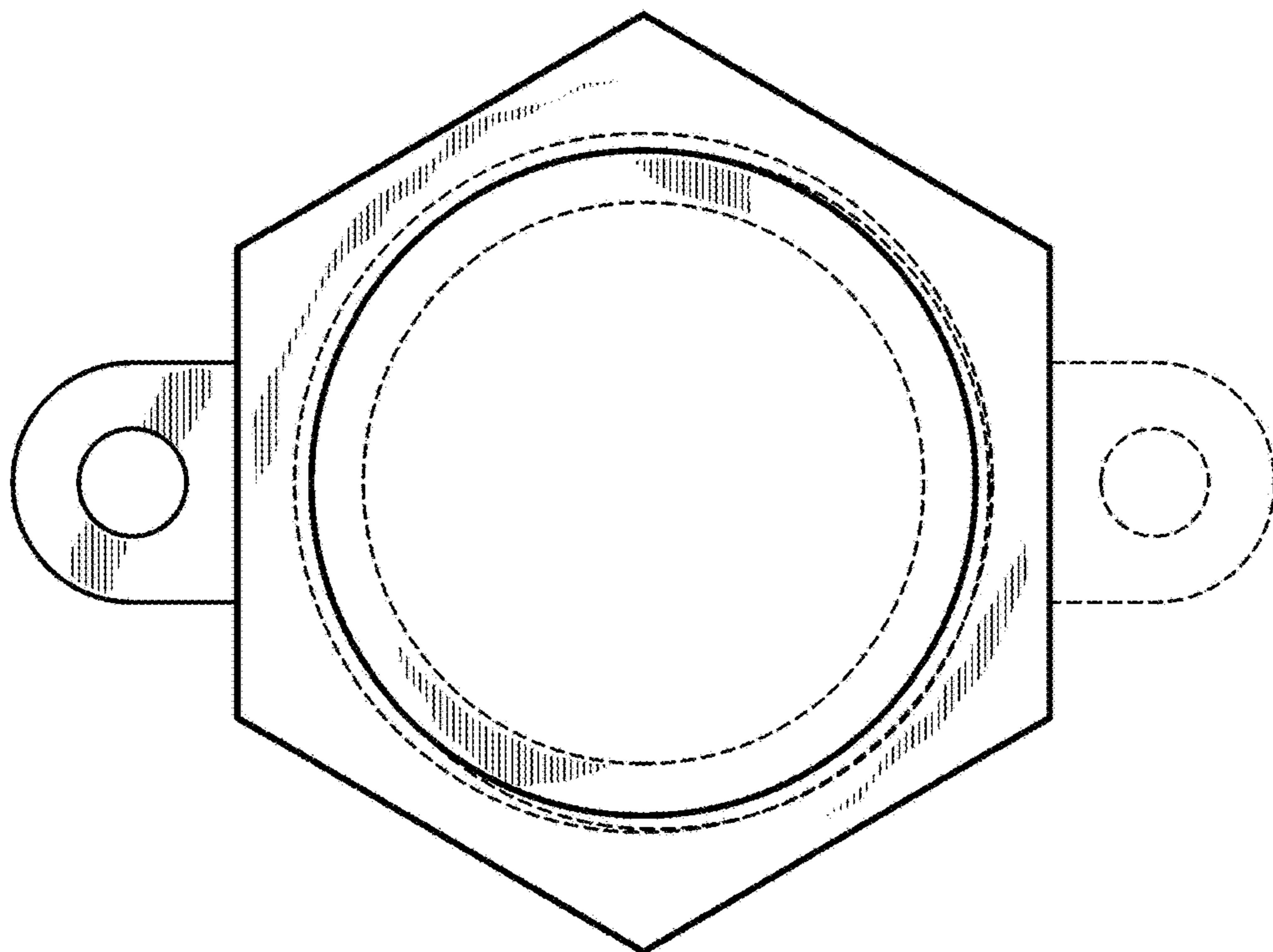


FIG. 6