



US00D862200S

(12) **United States Design Patent**
Lynch et al.

(10) **Patent No.:** **US D862,200 S**
(45) **Date of Patent:** **** Oct. 8, 2019**

(54) **CONNECTOR ASSEMBLY**

(71) Applicant: **LensLock, Inc.**, San Diego, CA (US)

(72) Inventors: **Jeremy Lynch**, San Diego, CA (US);
Jack Madrid, San Diego, CA (US)

(73) Assignee: **LensLock, Inc.**, San Diego, CA (US)

(**) Term: **15 Years**

(21) Appl. No.: **29/645,514**

(22) Filed: **Apr. 26, 2018**

(51) **LOC (12) Cl.** **08-08**

(52) **U.S. Cl.**
USPC **D8/349**

(58) **Field of Classification Search**

USPC D6/672, 684, 680, 683.1, 703.5; D8/349,
D8/354, 355, 330, 331, 333, 380, 382;
(Continued)

(56) **References Cited**

U.S. PATENT DOCUMENTS

D247,467 S * 3/1978 Morita D8/331
D504,609 S * 5/2005 Ferguson D8/354
(Continued)

Primary Examiner — Mark A Goodwin

Assistant Examiner — Benjamin M Weeks

(74) *Attorney, Agent, or Firm* — Troutman Sanders LLP

(57) **CLAIM**

We claim the ornamental design for a connector assembly, as shown and described.

DESCRIPTION

FIG. 1 is a forward perspective view of a connector assembly;

FIG. 2 is a forward plan view of the connector assembly shown in FIG. 1;

FIG. 3 is a rear plan view of the connector assembly shown in FIG. 1;

FIG. 4 is a left side view of the connector assembly shown in FIG. 1;

FIG. 5 is a right side view of the connector assembly shown in FIG. 1;

FIG. 6 is a top plan view of the connector assembly shown in FIG. 1;

FIG. 7 is a bottom plan view of the connector assembly shown in FIG. 1;

FIG. 8 is an exploded forward perspective view of the connector assembly in FIG. 1; and

FIG. 9 is an exploded rear perspective view of connector assembly in FIG. 1;

FIG. 10 is a forward perspective view of second embodiment of the connector assembly;

FIG. 11 is a forward plan view of the connector assembly shown in FIG. 10;

FIG. 12 is a rear plan view of the connector assembly shown in FIG. 10;

FIG. 13 is a left side view of the connector assembly shown in FIG. 10;

FIG. 14 is a right side view of the connector assembly shown in FIG. 10;

FIG. 15 is a top plan view of the connector assembly shown in FIG. 10;

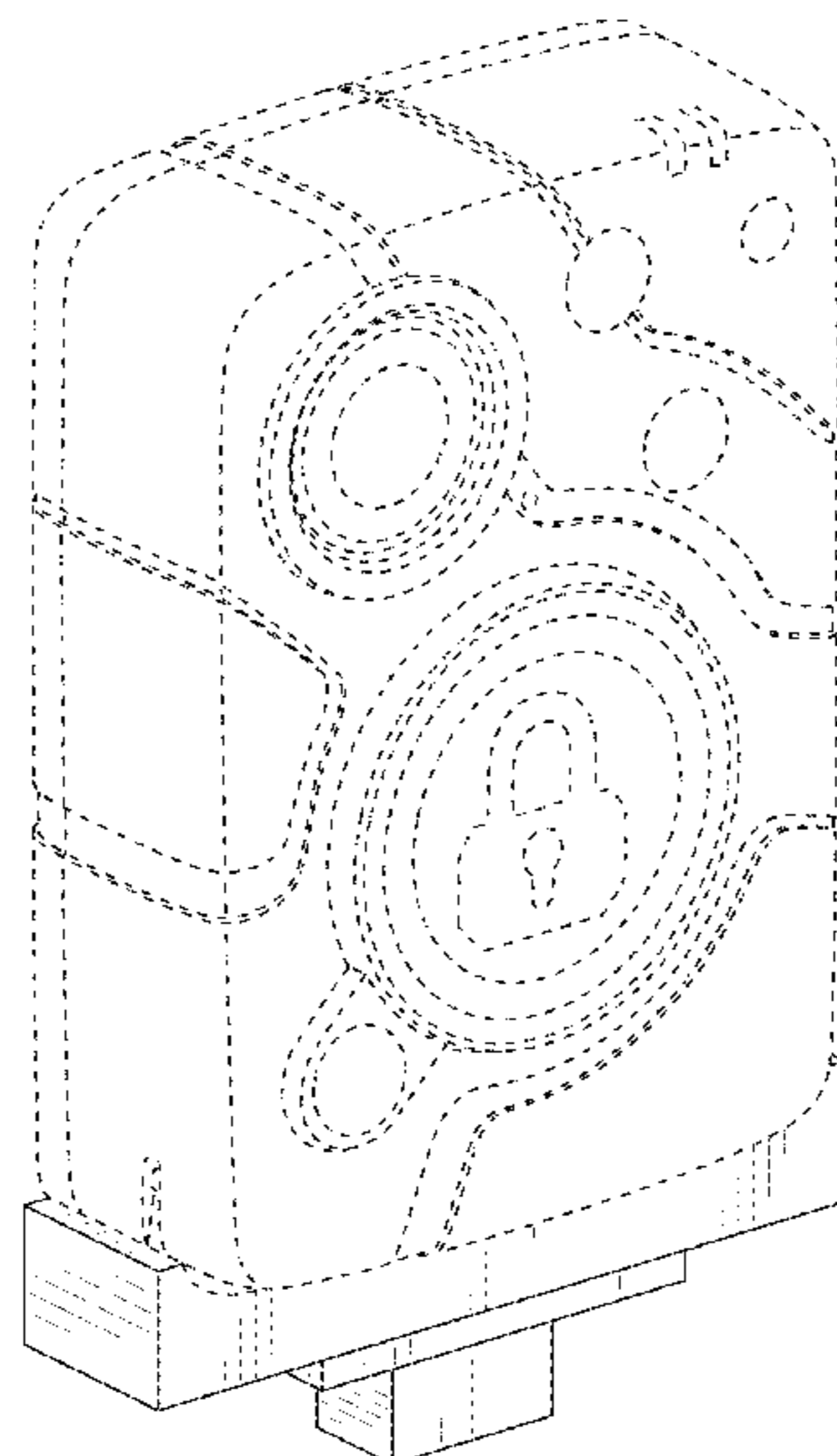
FIG. 16 is a bottom plan view of the connector assembly shown in FIG. 10;

FIG. 17 is an exploded forward perspective view of the connector assembly in FIG. 10; and,

FIG. 18 is an exploded rear perspective view of the connector assembly in FIG. 10.

The broken lines shown represent unclaimed subject matter and form no part of the claimed design. The shade lines shown represent surface shading and not surface ornamentation, color, or material type. The dot-dashed boundary lines shown do not form part of the claimed design.

1 Claim, 18 Drawing Sheets



(58) **Field of Classification Search**

USPC D13/144, 154, 133, 129, 199; D22/125;
D25/119, 164, 199, 139, 141; D26/138,
D26/76, 78, 79, 80
CPC .. F16C 2314/72; F16C 29/0623; F16C 29/06;
F16C 29/0609; F16C 29/005; F16C
29/008; F16C 29/04; F16C 29/0657;
F16C 29/004; F16C 29/12; A47B 1/10;
A47B 88/493; A47B 88/423; A47B
2088/4235; B44C 5/02

See application file for complete search history.

(56) **References Cited**

U.S. PATENT DOCUMENTS

D556,017	S	*	11/2007	Hutter, III	D8/354
D593,221	S	*	5/2009	Lacas	D25/164
D622,131	S	*	8/2010	Tezak	D8/349
D717,157	S	*	11/2014	Widdows	D8/356
D734,132	S	*	7/2015	Ware	D8/356
D741,690	S	*	10/2015	Collins, IV	D8/354
D769,109	S	*	10/2016	Kaiser	D8/382
D774,385	S	*	12/2016	Kaiser	D8/382
D795,049	S	*	8/2017	Brigham	D8/382
2013/0104493	A1	*	5/2013	Orchard	E04F 15/02044 52/704

* cited by examiner

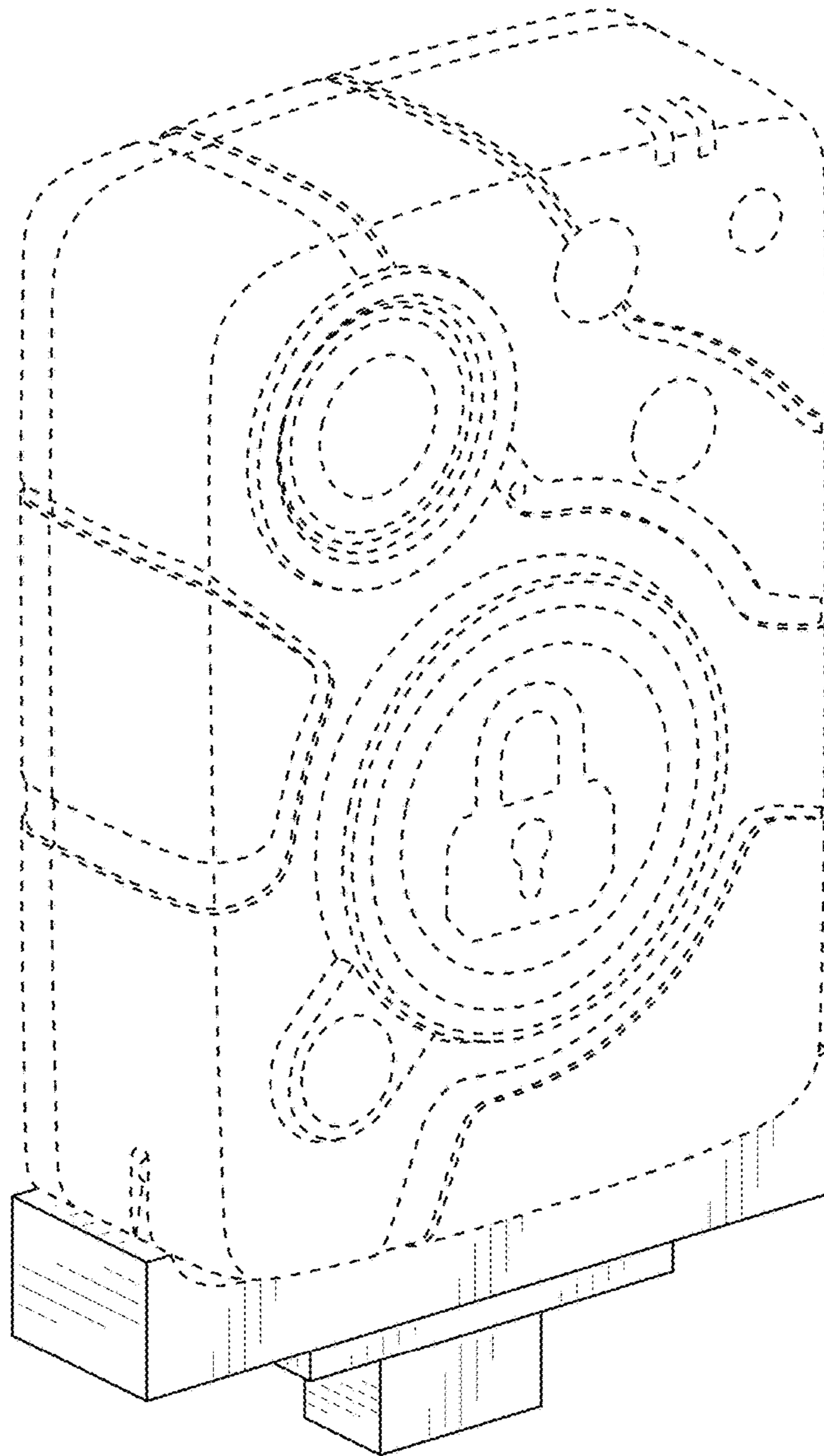


FIG. 1

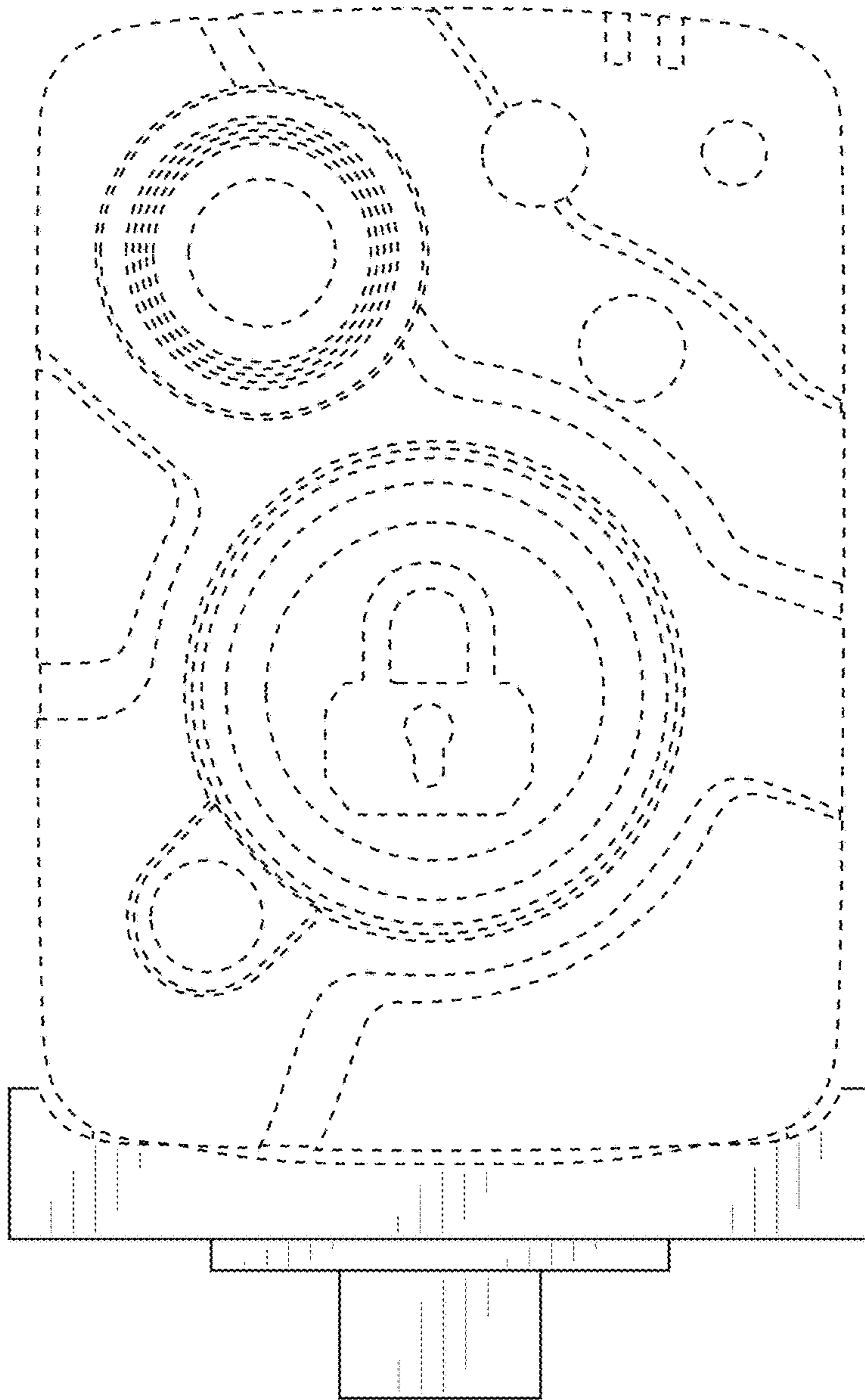


FIG. 2

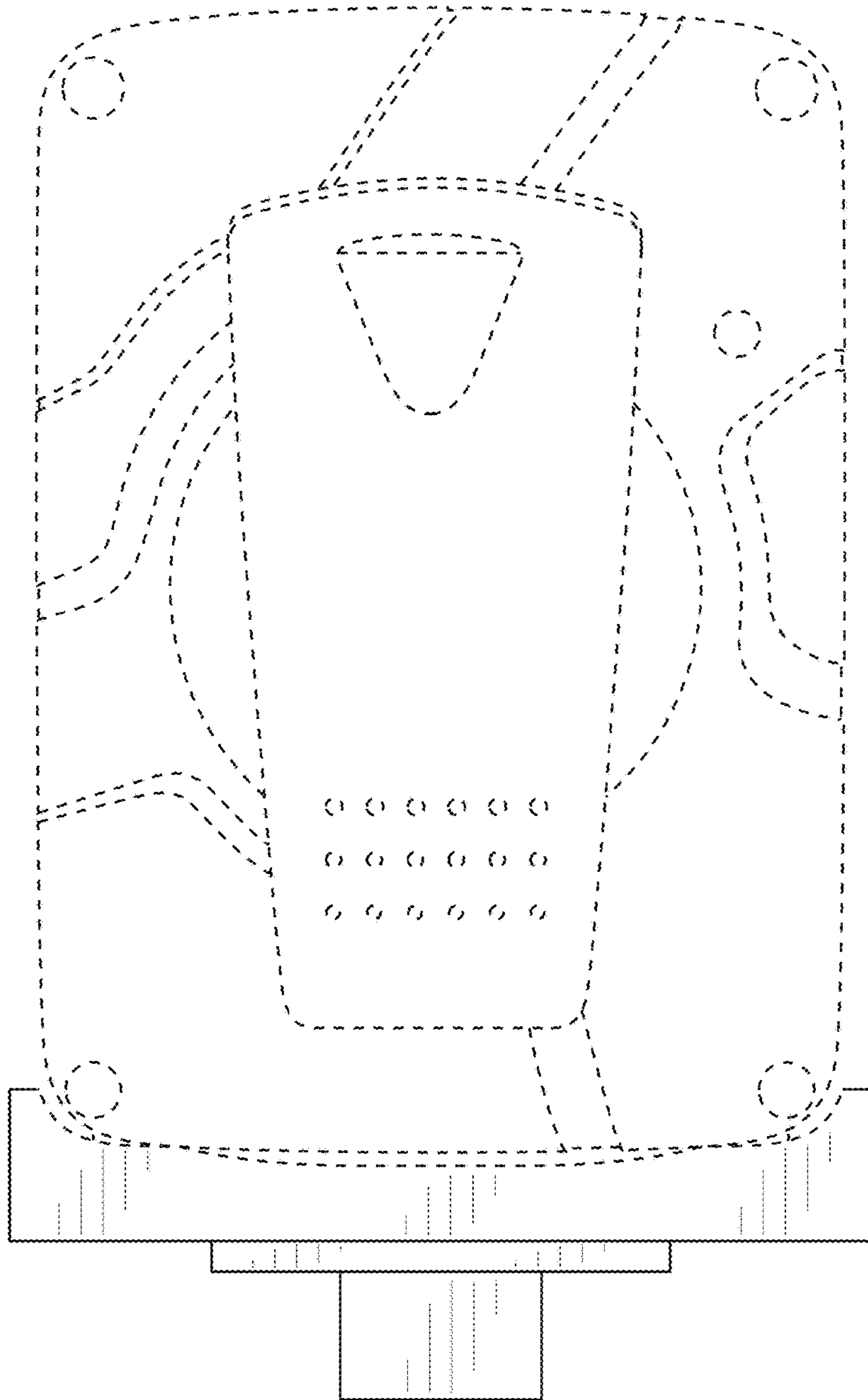


FIG. 3

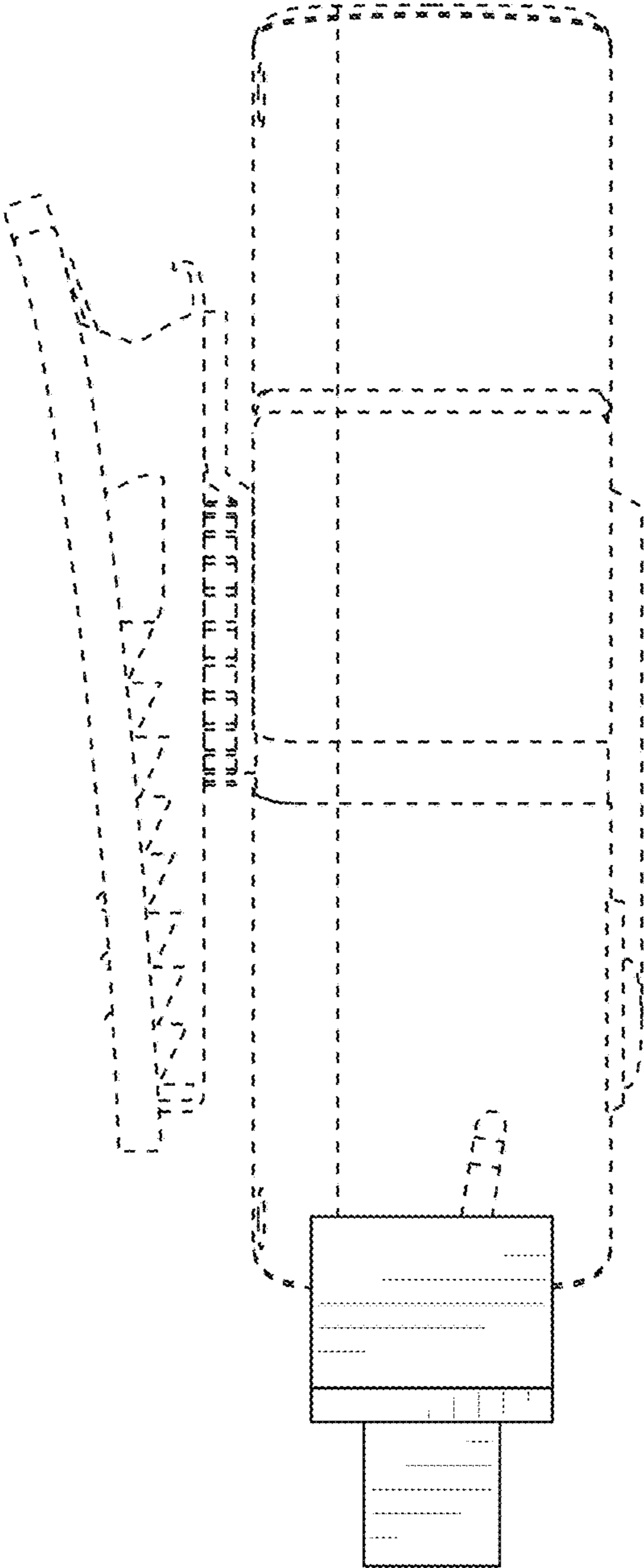


FIG. 4

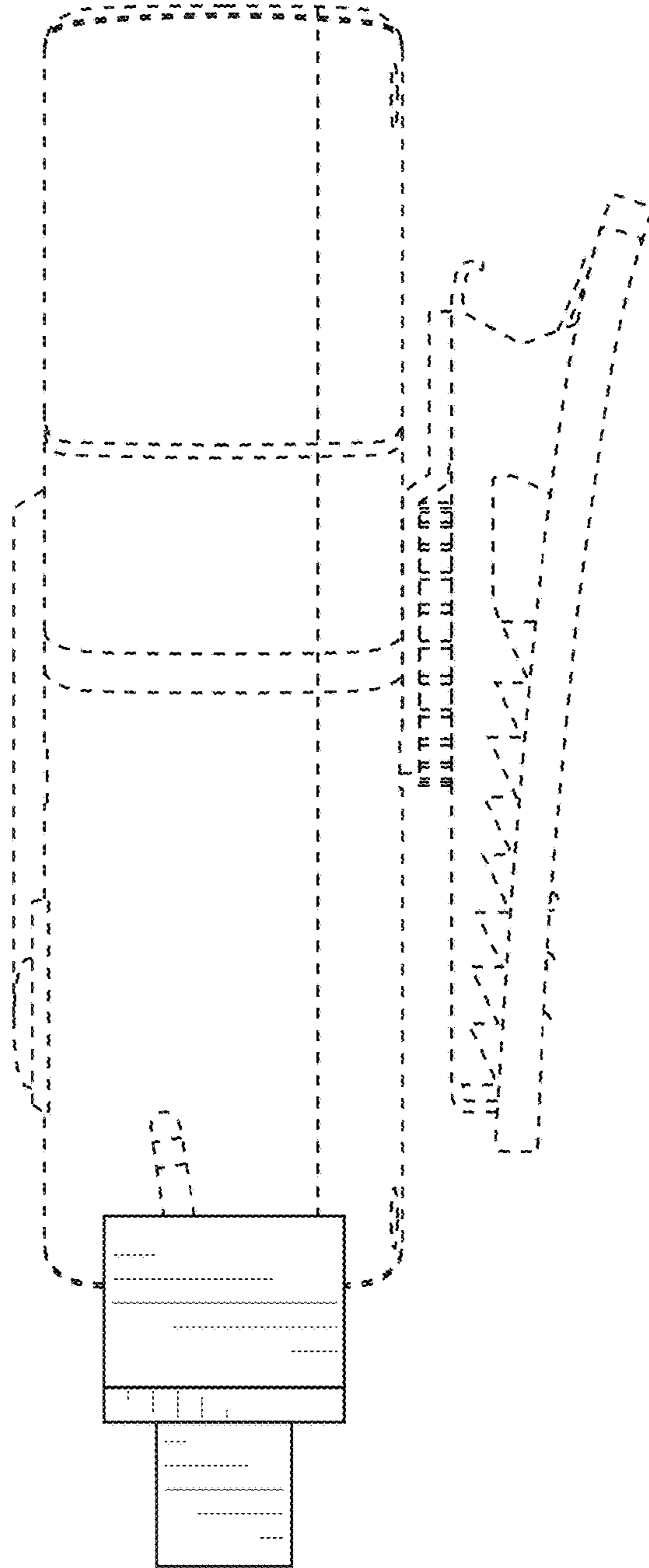


FIG. 5

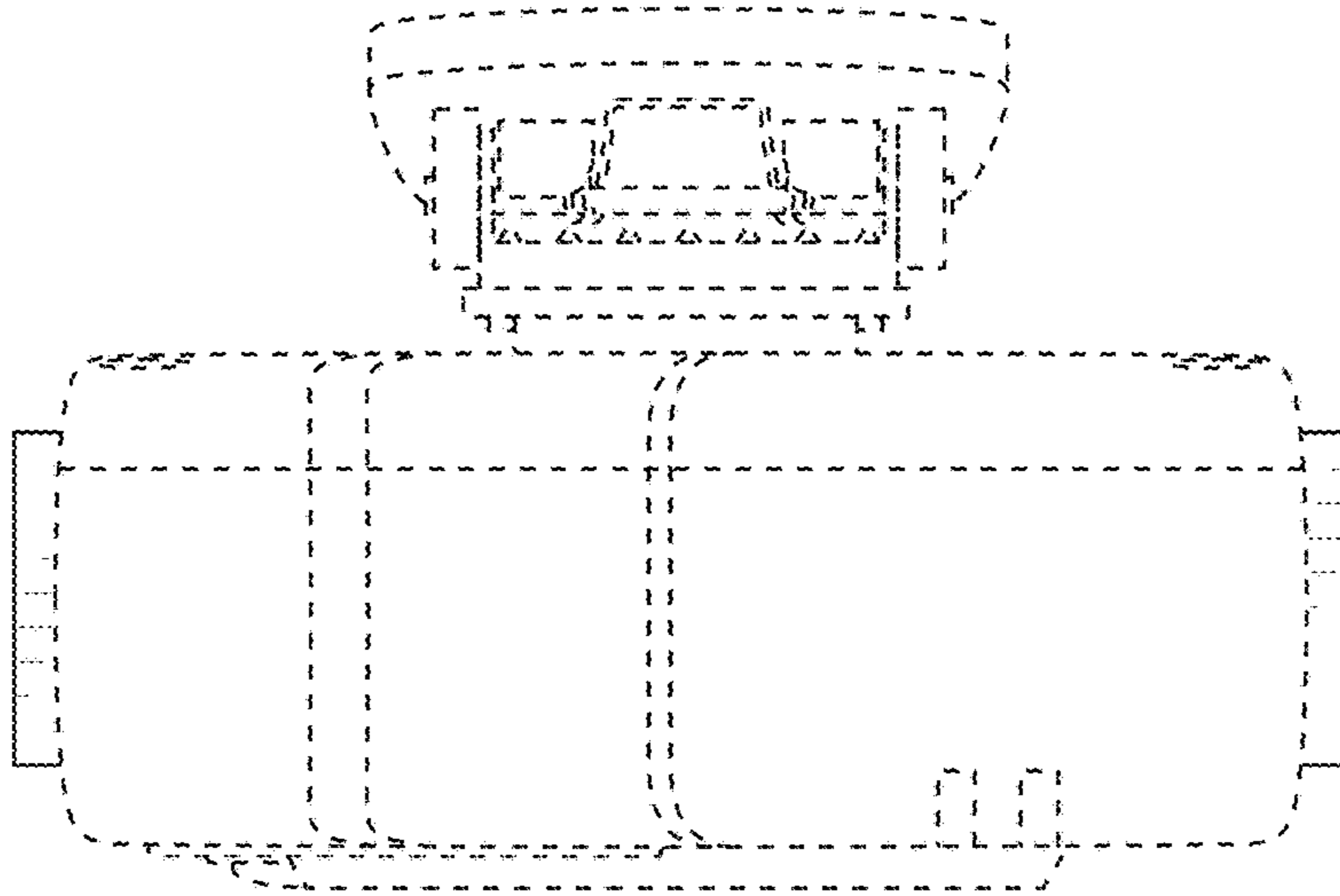


FIG. 6

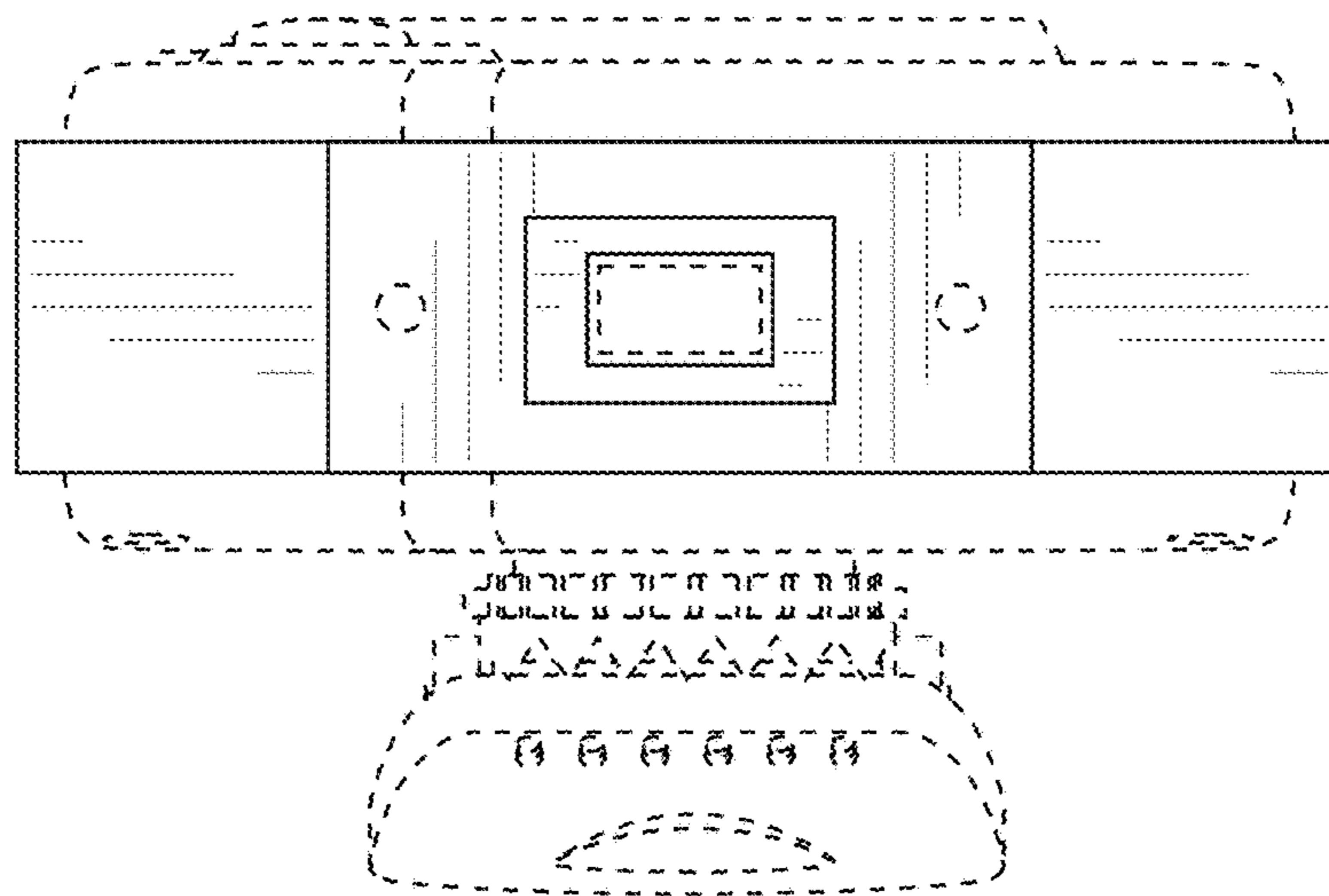


FIG. 7

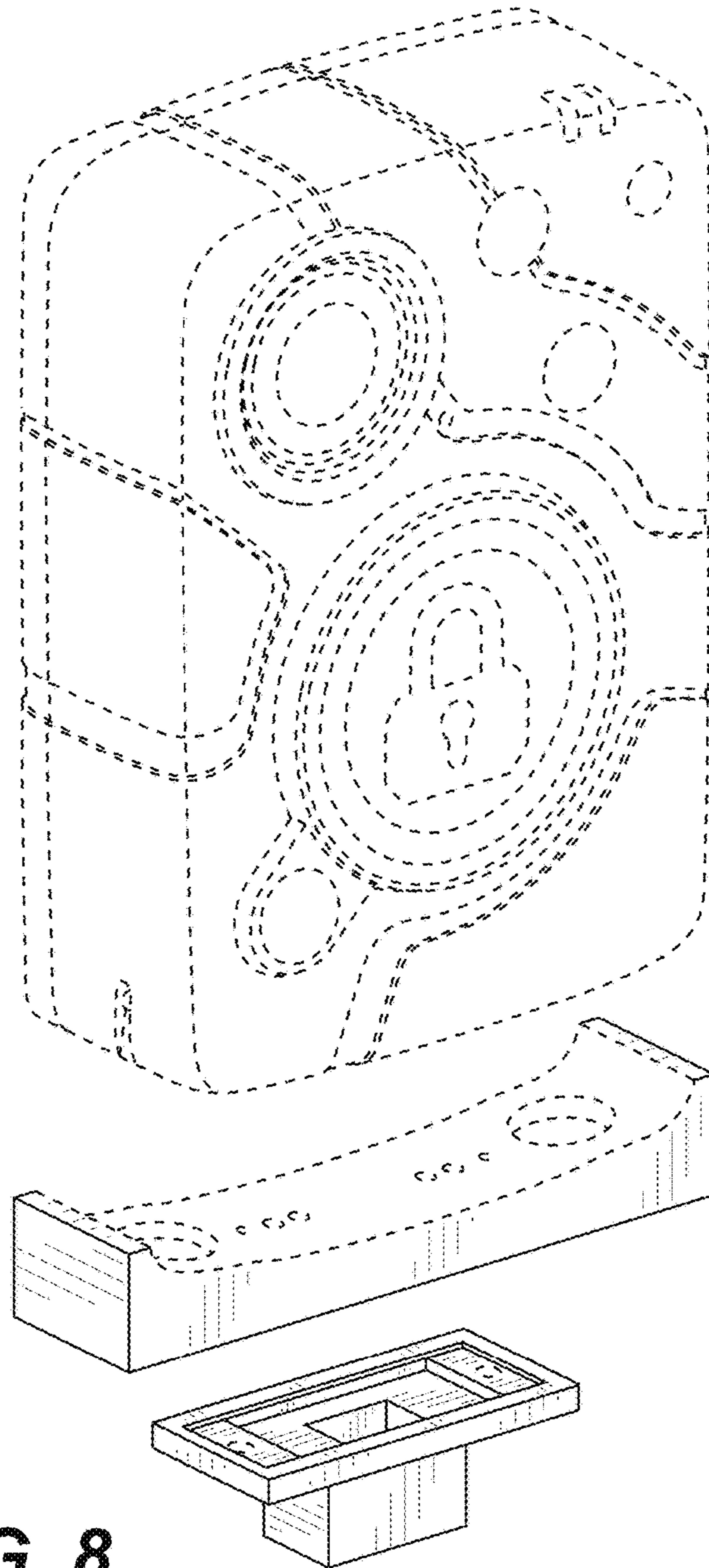


FIG. 8

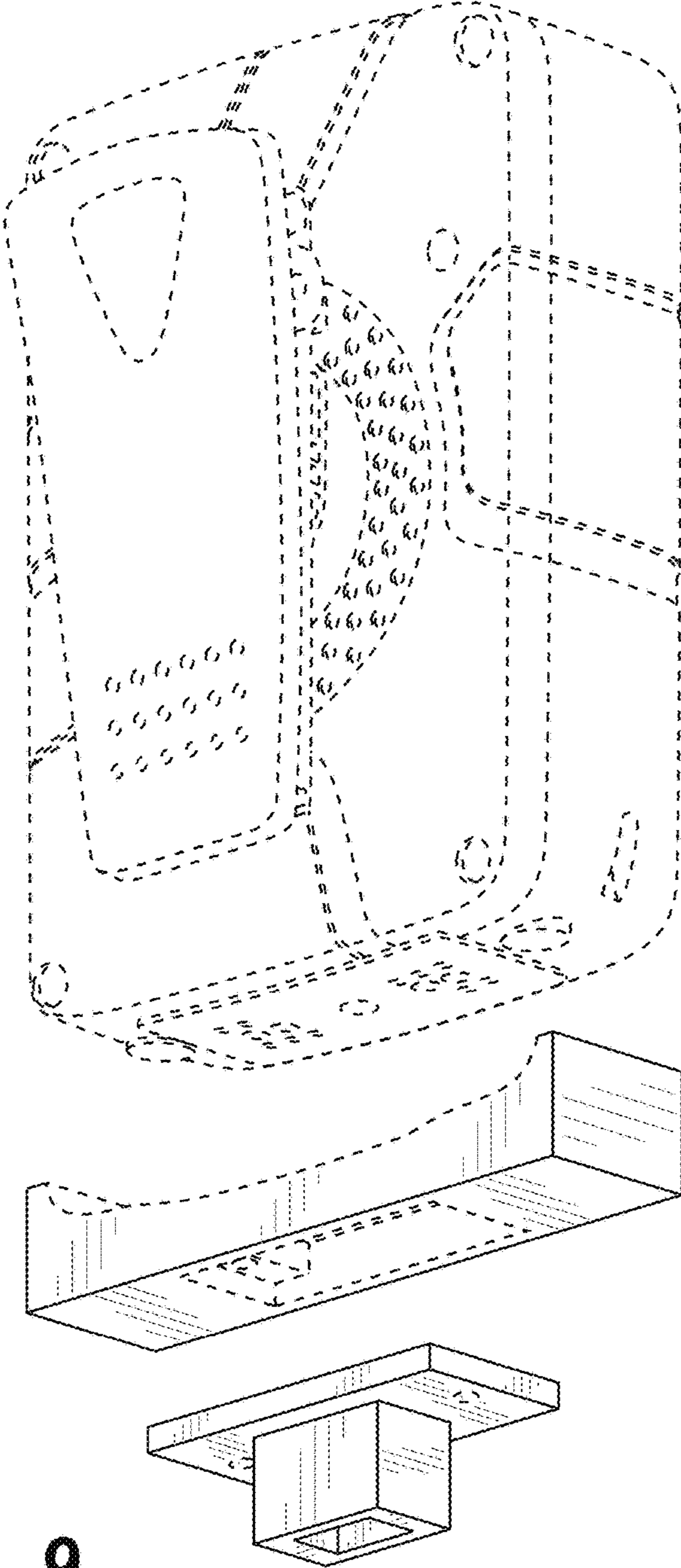


FIG. 9

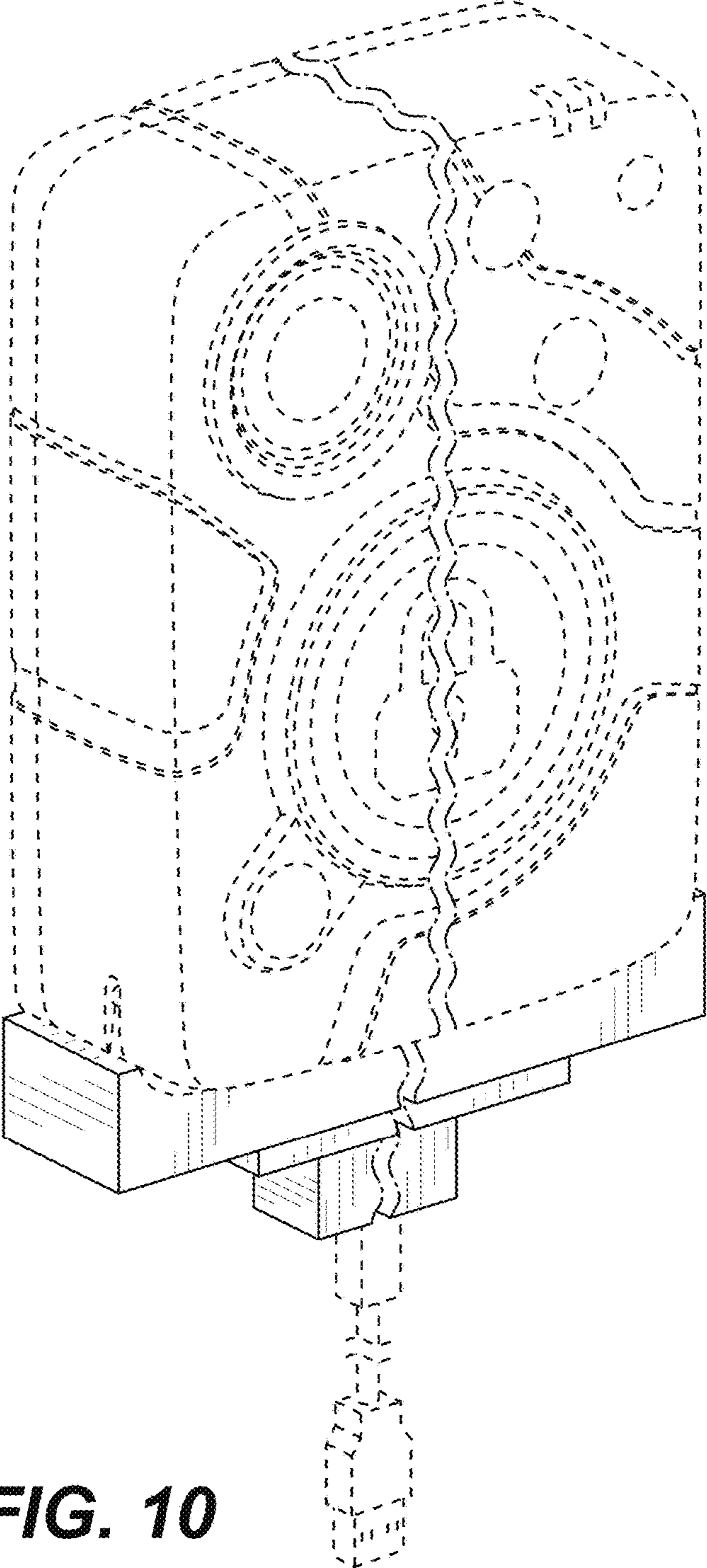


FIG. 10

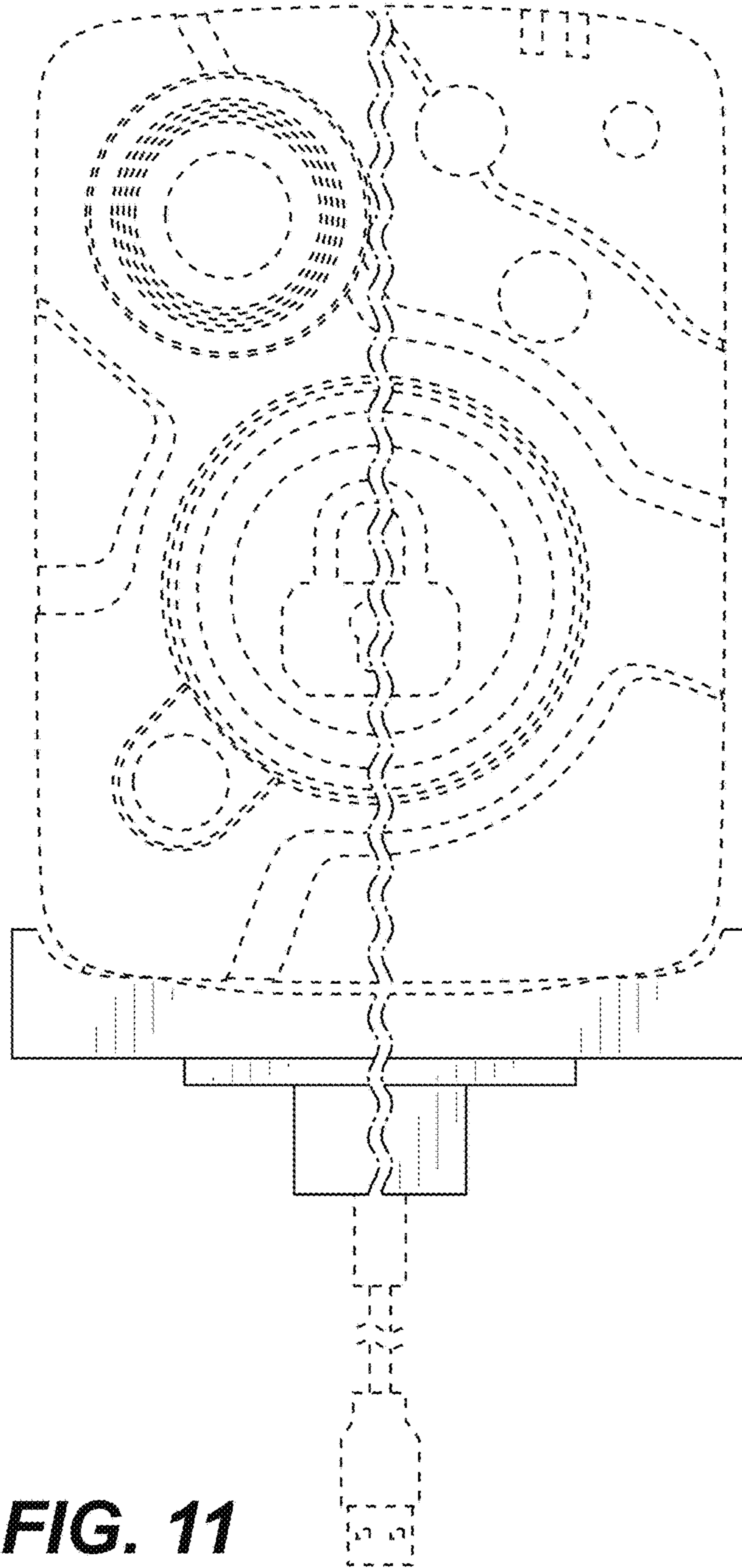


FIG. 11

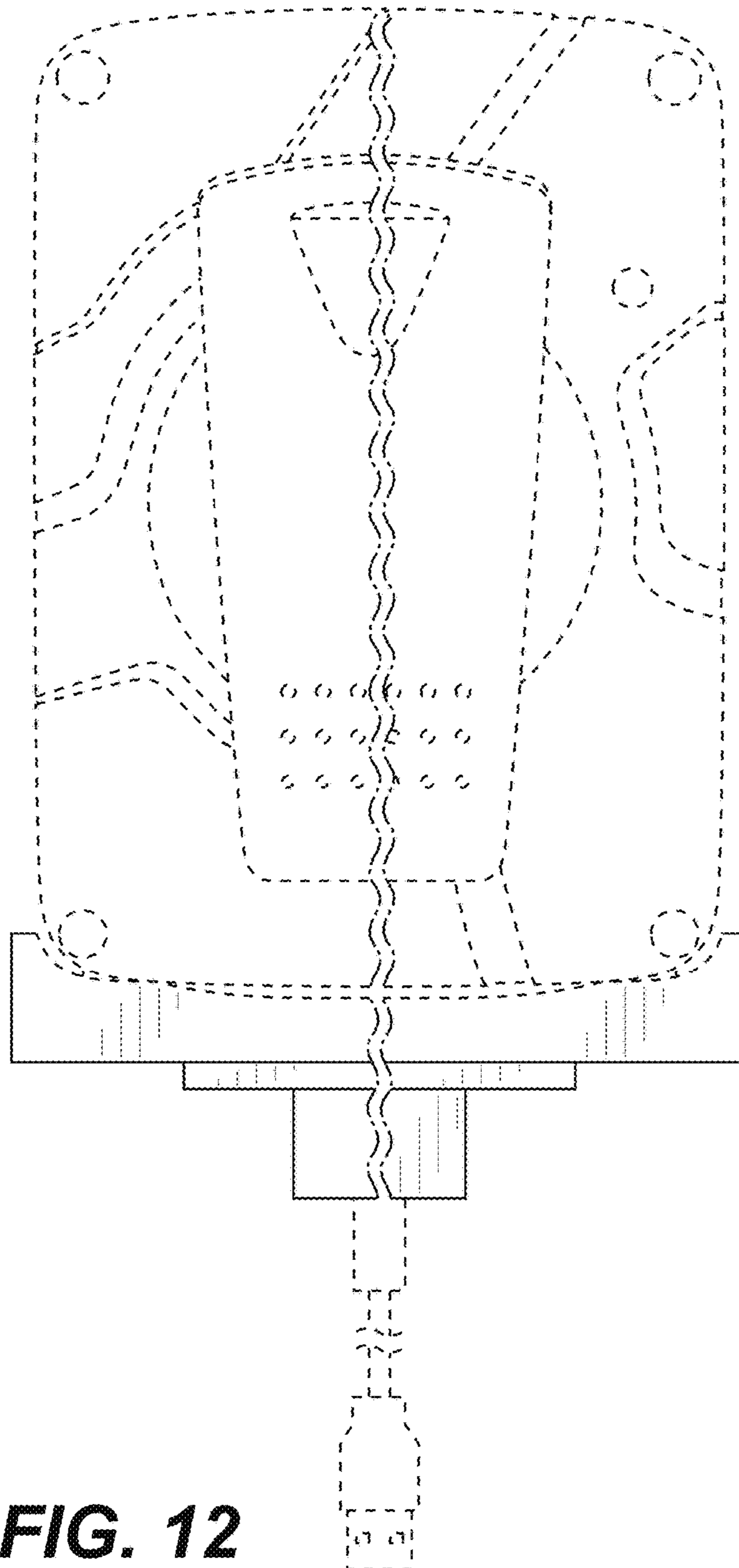


FIG. 12

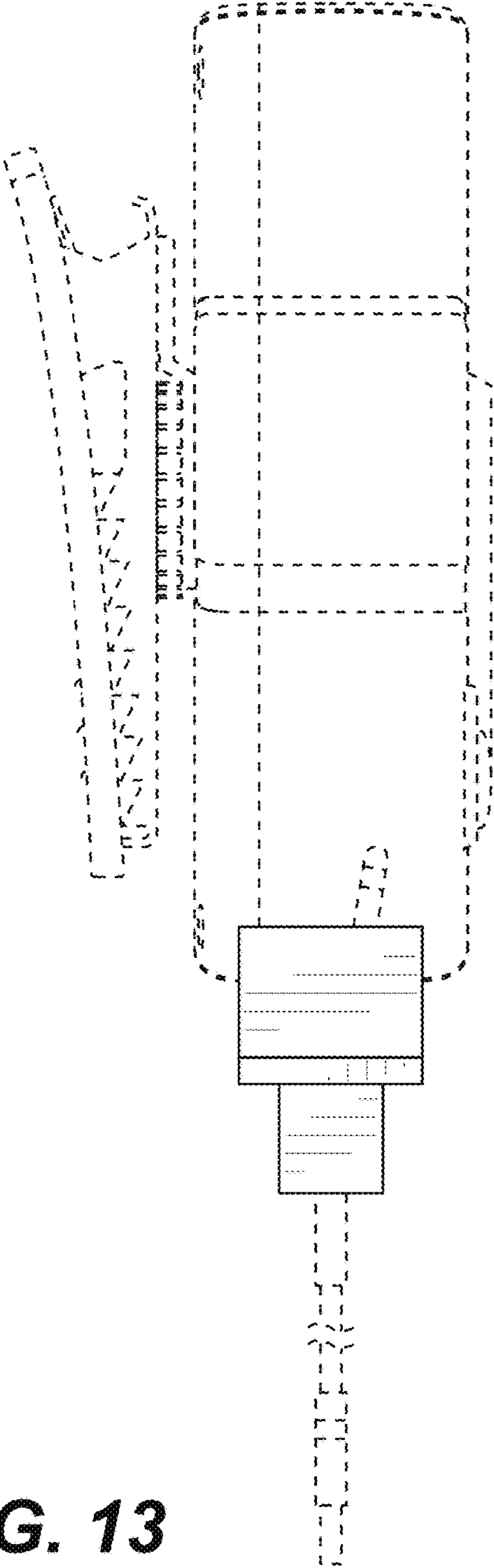


FIG. 13

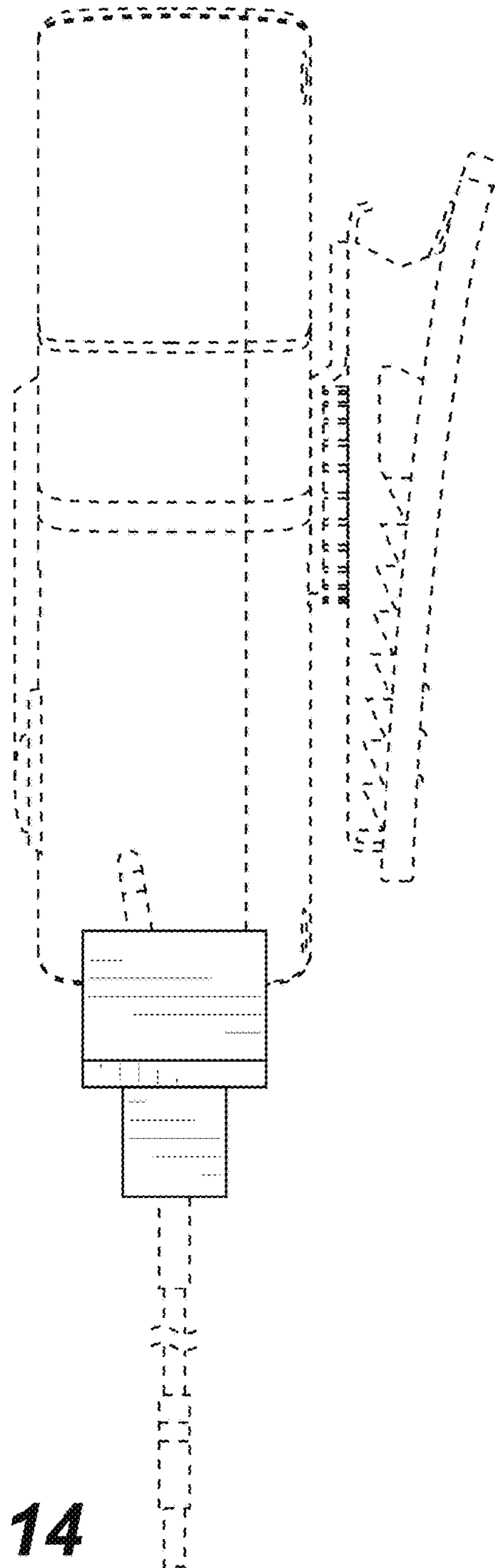


FIG. 14

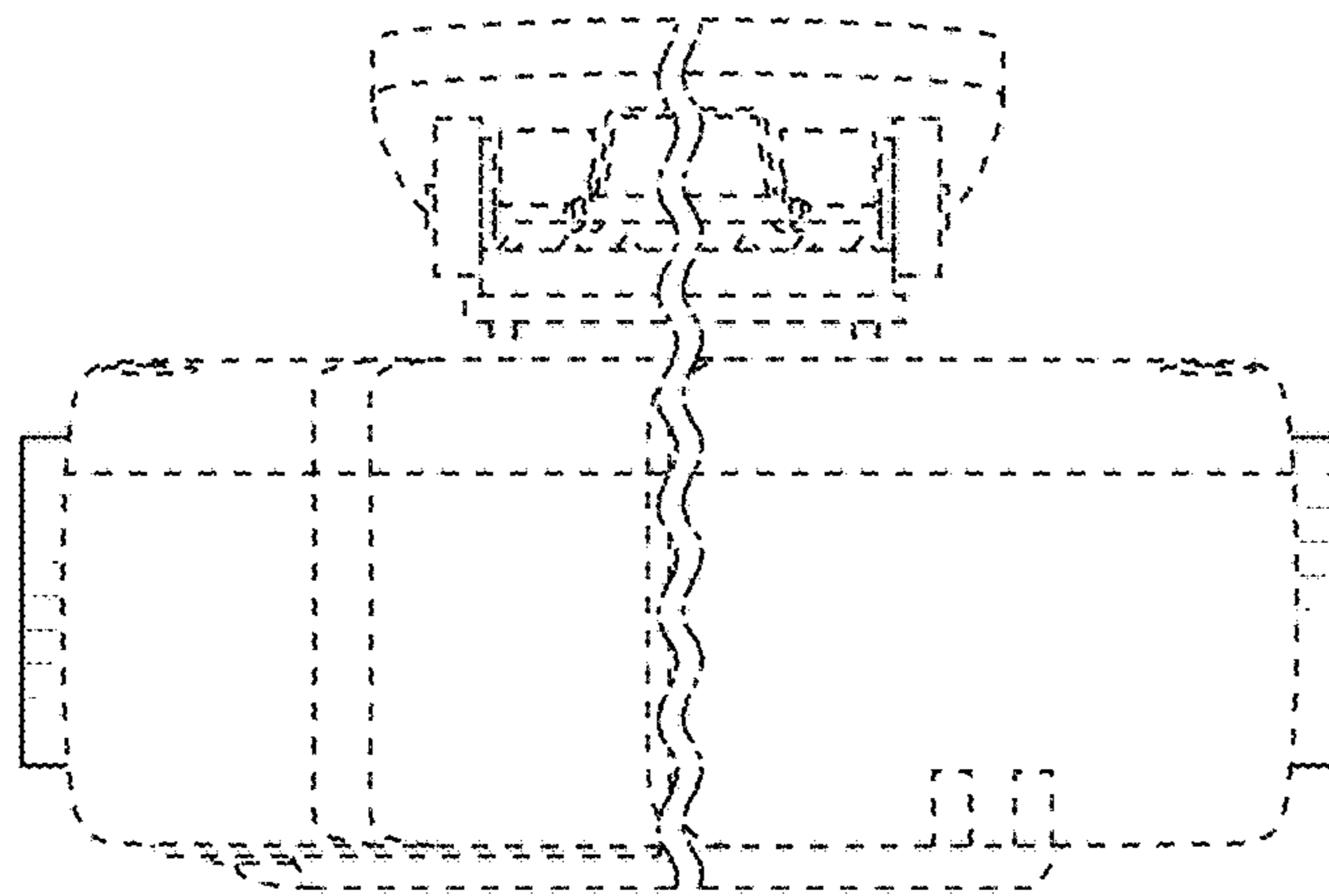


FIG. 15

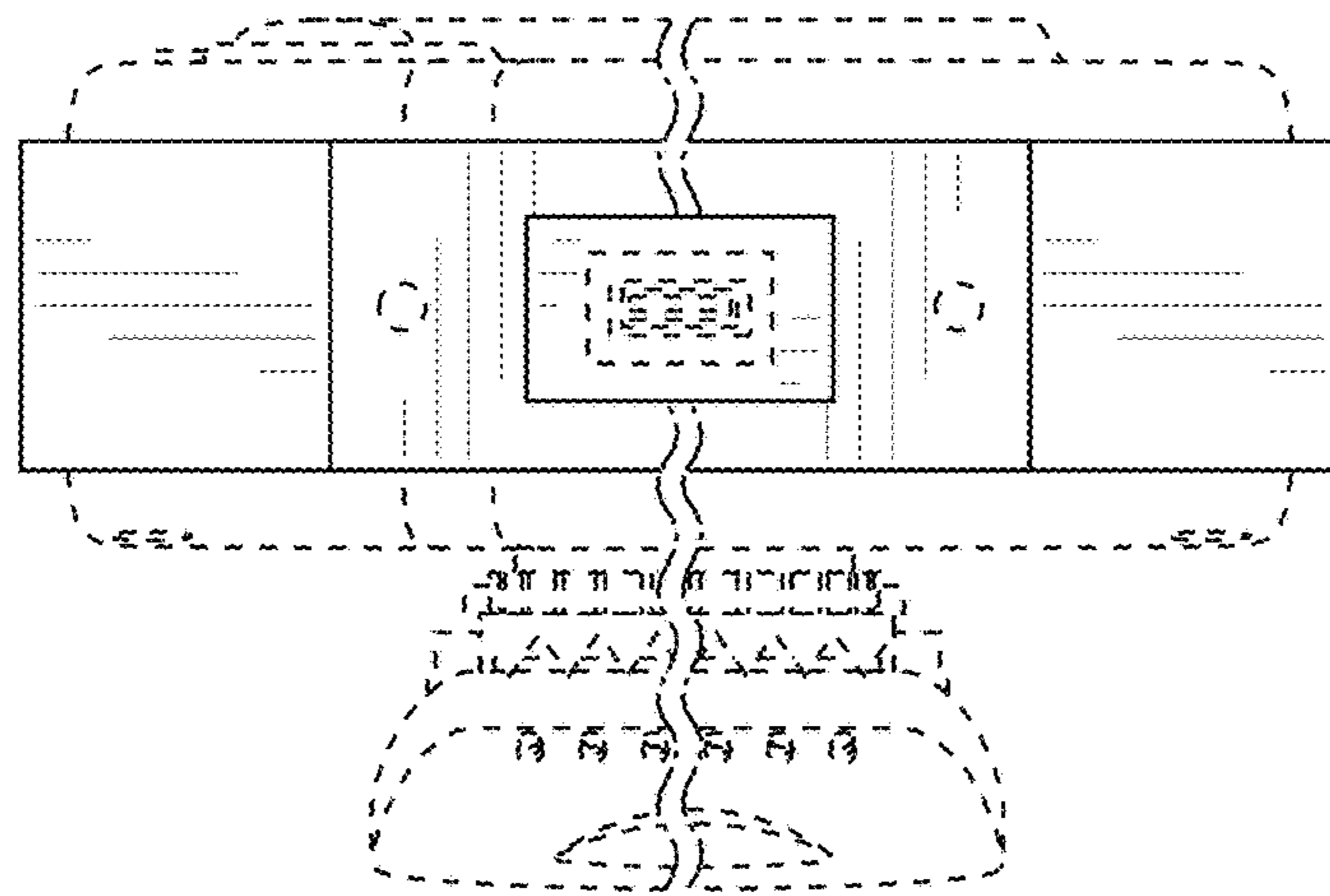


FIG. 16

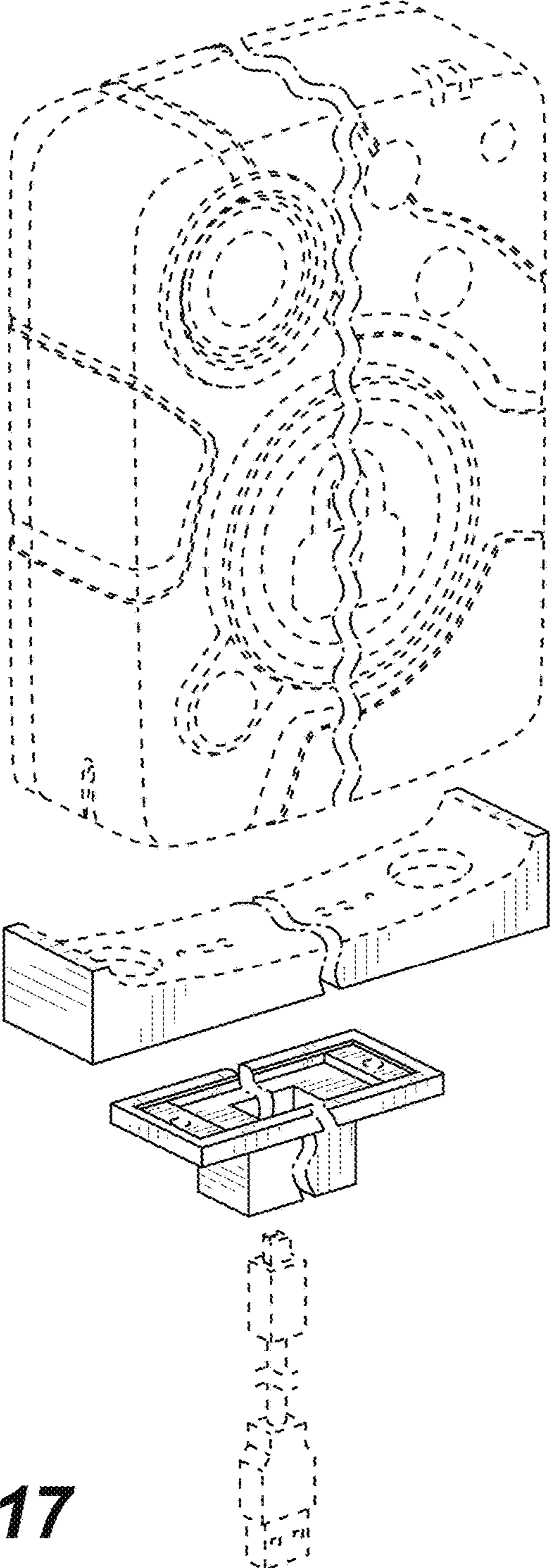


FIG. 17

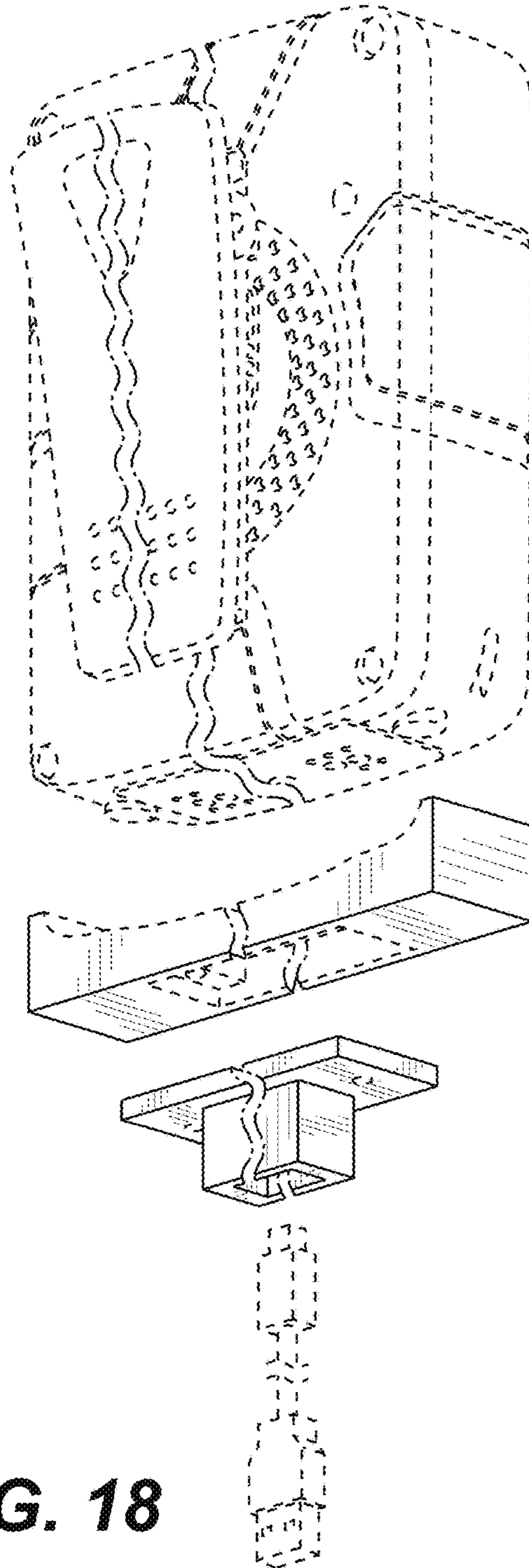


FIG. 18