

US00D862199S

(12) **United States Design Patent** (10) **Patent No.:** **US D862,199 S**
Pham et al. (45) **Date of Patent:** **** Oct. 8, 2019**

(54) **MOUNTING BRACKET**

(71) Applicant: **Avent, Inc.**, Alpharetta, GA (US)

(72) Inventors: **Bao-Tram N. Pham**, Irvine, CA (US);
Joseph A. Cesa, Cumming, GA (US)

(73) Assignee: **Avent, Inc.**, Alpharetta, GA (US)

(**) Term: **15 Years**

(21) Appl. No.: **29/576,016**

(22) Filed: **Aug. 31, 2016**

(51) **LOC (12) Cl.** **08-07**

(52) **U.S. Cl.**
USPC **D8/343**

(58) **Field of Classification Search**
USPC D8/16, 19, 354, 355, 372, 367, 376, 349,
D8/363, 370, 371, 382, 373, 44, 18, 336,
D8/330, 331, 322, 343; D6/323, 324,
D6/327, 328, 512, 524, 526, 531, 534,
D6/538, 553, 554; D22/199; D29/101.1;
D34/33; D32/53, 54; D24/128, 184;
D14/376, 452; D25/68, 134, 62
CPC A61M 2209/082
See application file for complete search history.

(56) **References Cited**

U.S. PATENT DOCUMENTS

D346,735 S *	5/1994	Glisch	D8/367
D750,773 S *	3/2016	Eaton	D24/128
D762,300 S *	7/2016	Breitweiser	D24/128
D788,911 S *	6/2017	Deutsch	A61M 1/0086
				D24/128
D813,655 S *	3/2018	Kremer	D8/373
D816,832 S *	5/2018	Ho	D24/128
D831,665 S *	10/2018	Yao	D14/447
D838,365 S *	1/2019	Eaton	D24/128
2006/0278781 A1 *	12/2006	Homra	A61G 13/101
				248/220.21
2010/0249513 A1 *	9/2010	Tydlaska	A61B 1/00052
				600/186

(Continued)

Primary Examiner — Eliza Z Bennett-Hattan

(74) *Attorney, Agent, or Firm* — Dority & Manning, P.A.

(57) **CLAIM**

The ornamental design for a mounting bracket, as shown and described.

DESCRIPTION

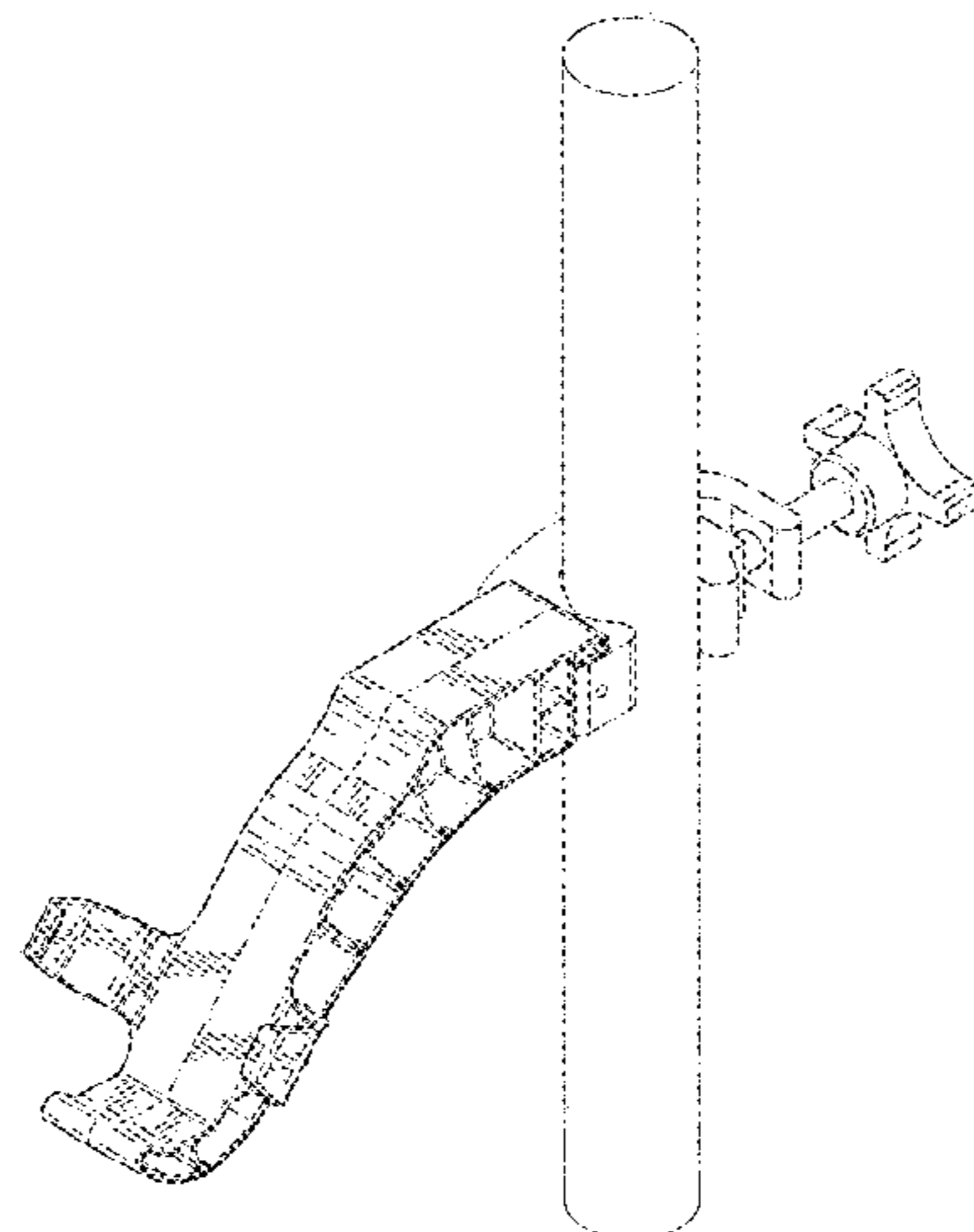
FIG. 1 is a perspective view of a mounting bracket according to the present design including a pole, clamp, and knob which are shown for environmental aspects only; FIG. 2 is a perspective view of a mounting bracket according to the present design; FIG. 3 is a front view of the mounting bracket of FIG. 2; FIG. 4 is a right side view of the mounting bracket of FIG. 2; FIG. 5 is a rear view of the mounting bracket of FIG. 2; FIG. 6 is a left side view of the mounting bracket of FIG. 2; FIG. 7 is a top view of the mounting bracket of FIG. 2; FIG. 8 is a bottom view of the mounting bracket of FIG. 2; and, FIG. 9 is a bottom perspective view of the mounting bracket of FIG. 2.

The dash-dot broken lines in the figures represent unclaimed environmental subject matter illustrating the design in use and form no part of the claimed design. For example, the pole, clamp, and knob portions of the mounting bracket are included for the purpose of illustrating environmental aspects of the mounting bracket and form no part of the claimed design.

The dash-dash broken lines contained within the figures represent portions of the disclosed mounting bracket that form no part of the claimed design.

Conventional contour lines and/or surface shading are illustrated for purposes of highlighting the solid rendering but form no part of the claimed design.

1 Claim, 9 Drawing Sheets



(56)

References Cited

U.S. PATENT DOCUMENTS

2011/0168857 A1* 7/2011 Svedman A61M 1/0088
248/218.4
2016/0242637 A1* 8/2016 Tydlaska A61B 1/05
2017/0281836 A1* 10/2017 Giezendanner A61M 1/0001

* cited by examiner

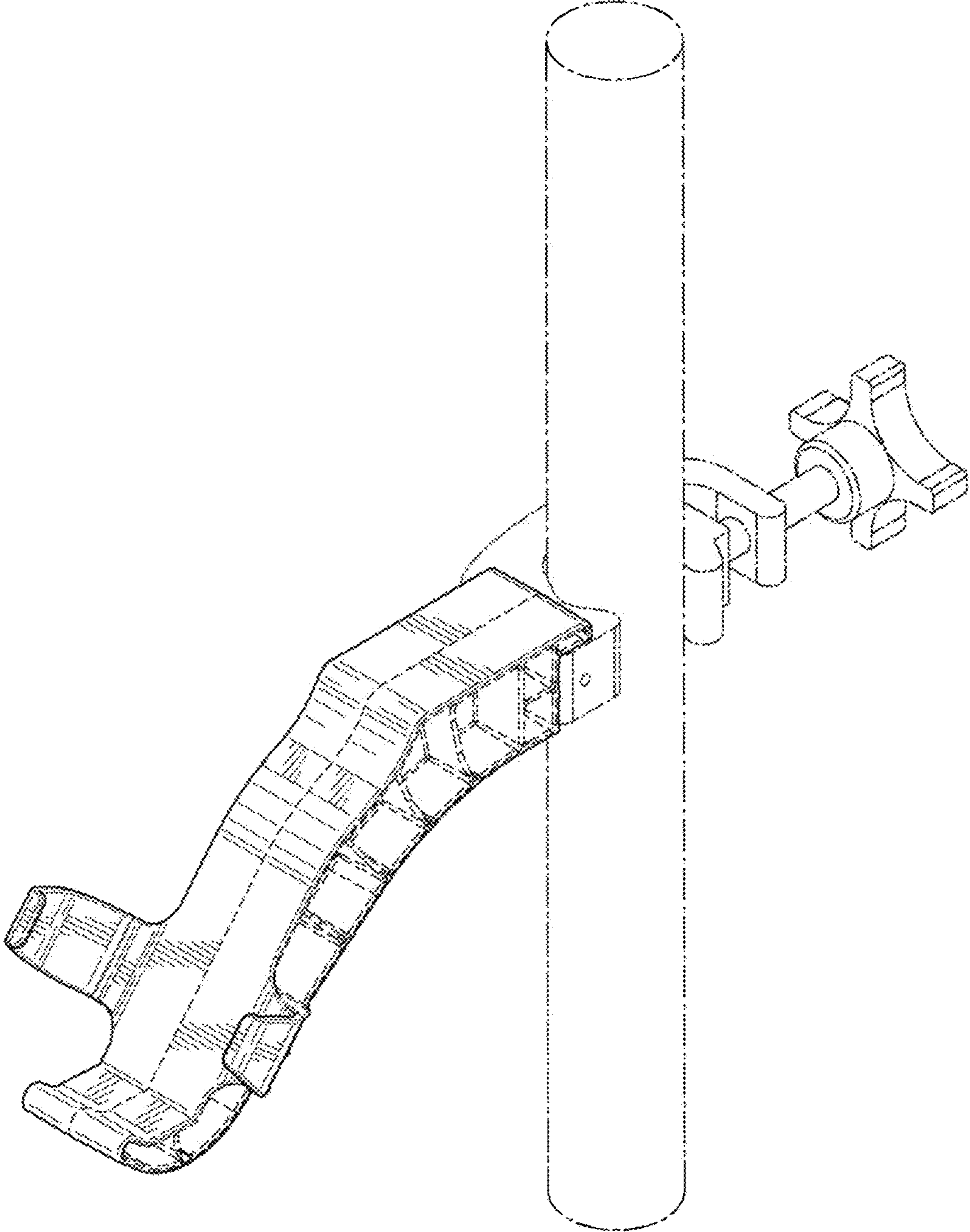


FIG. 1

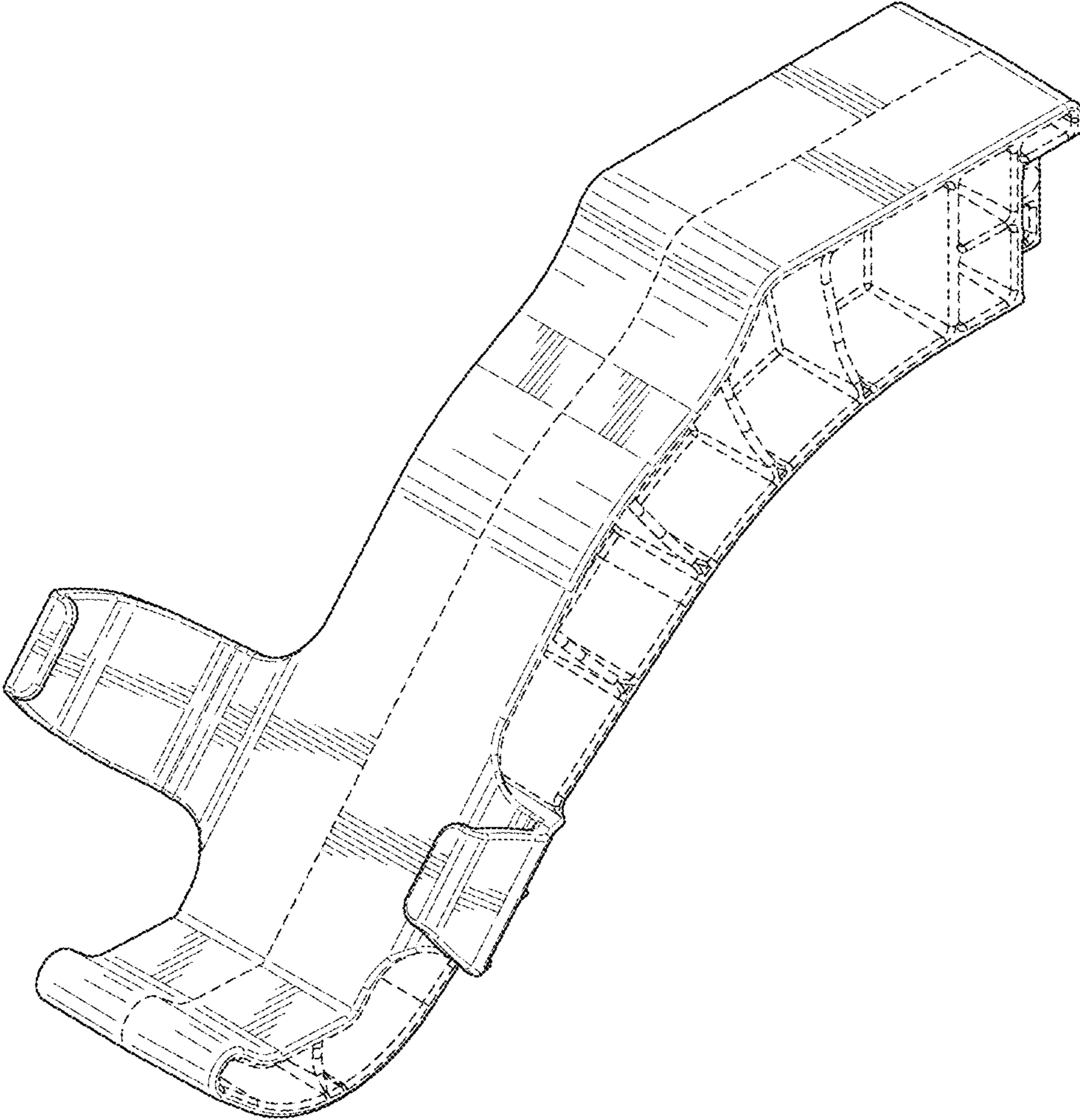


FIG. 2

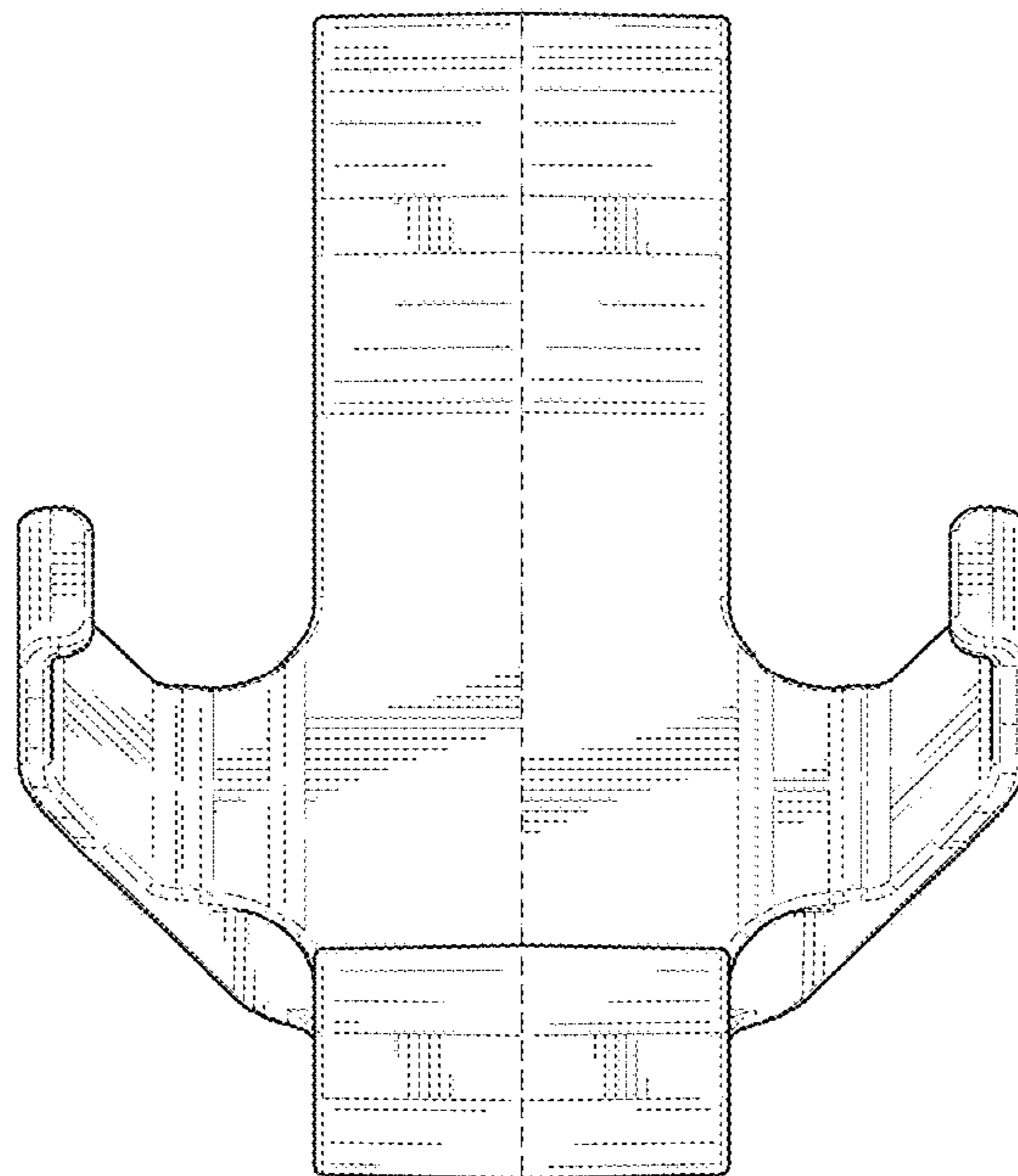


FIG. 3

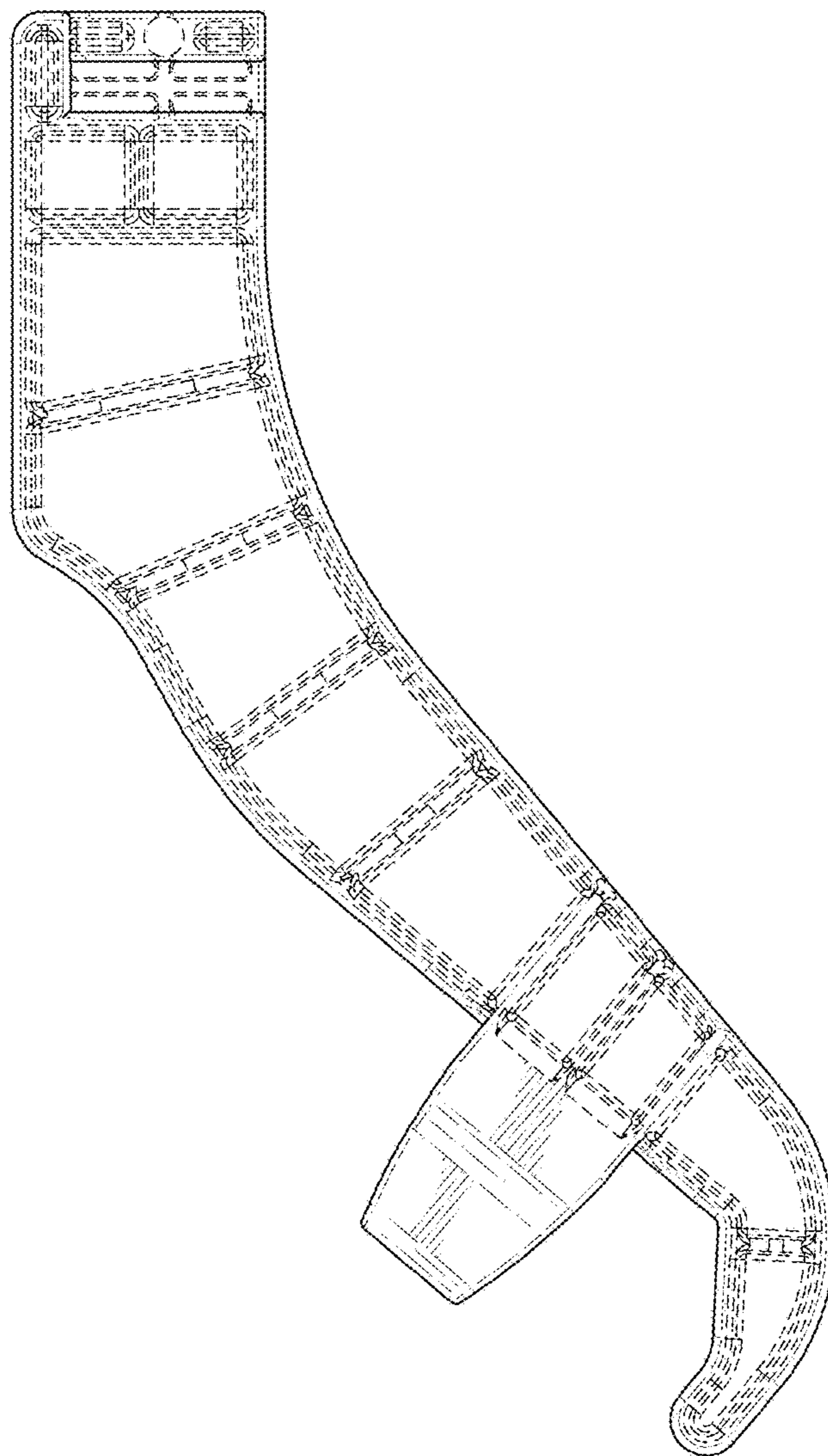


FIG. 4

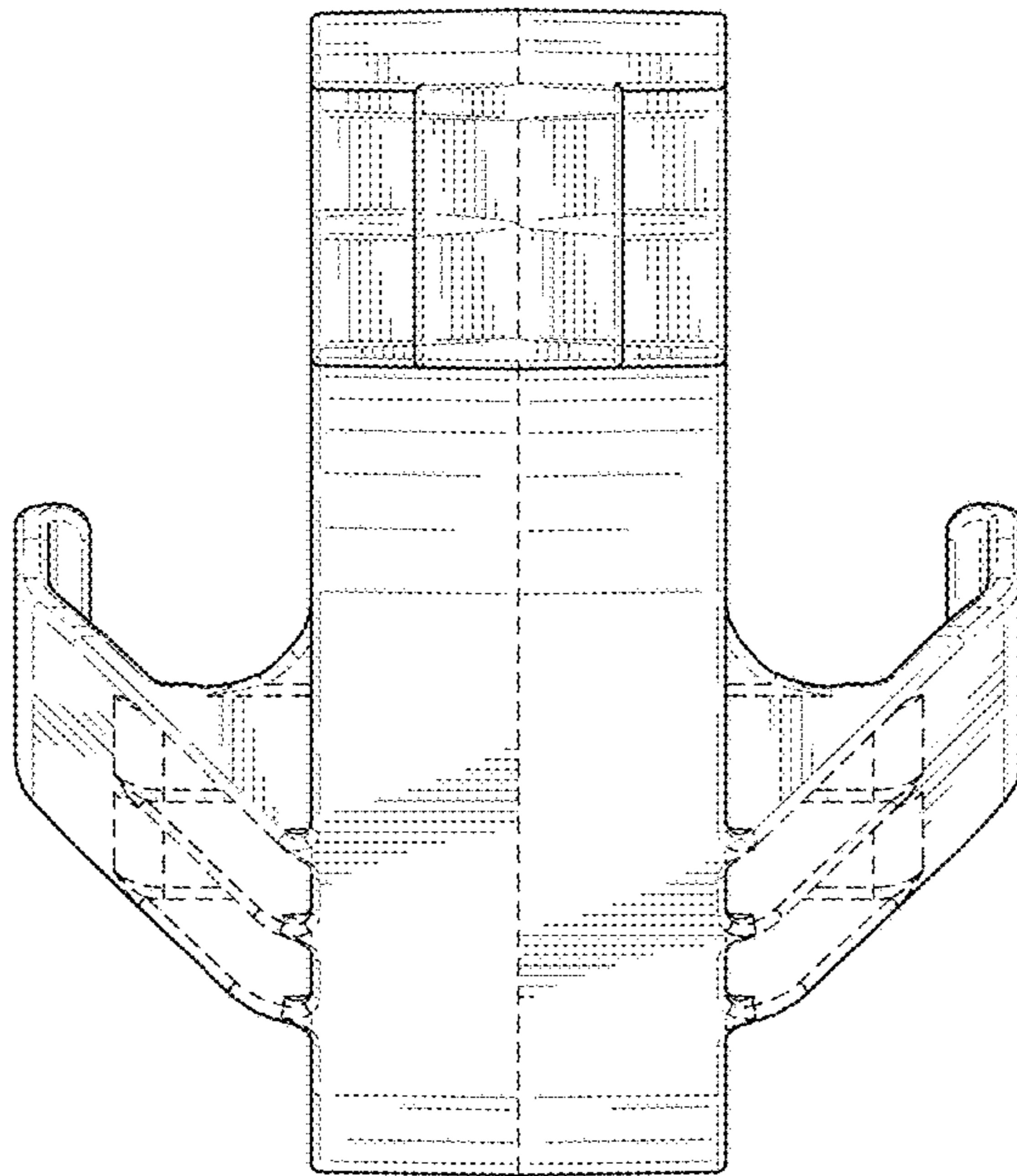


FIG. 5

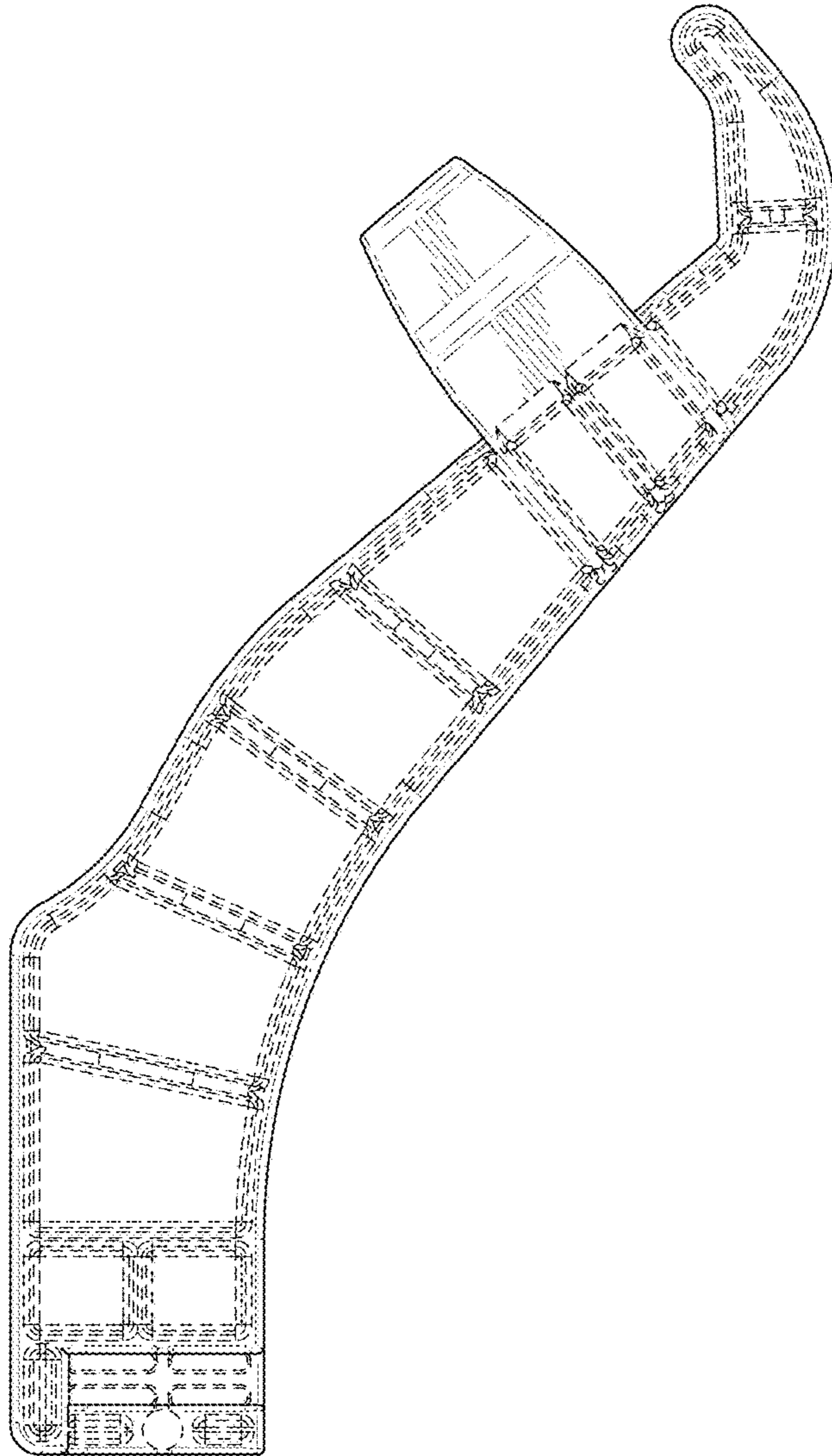


FIG. 6

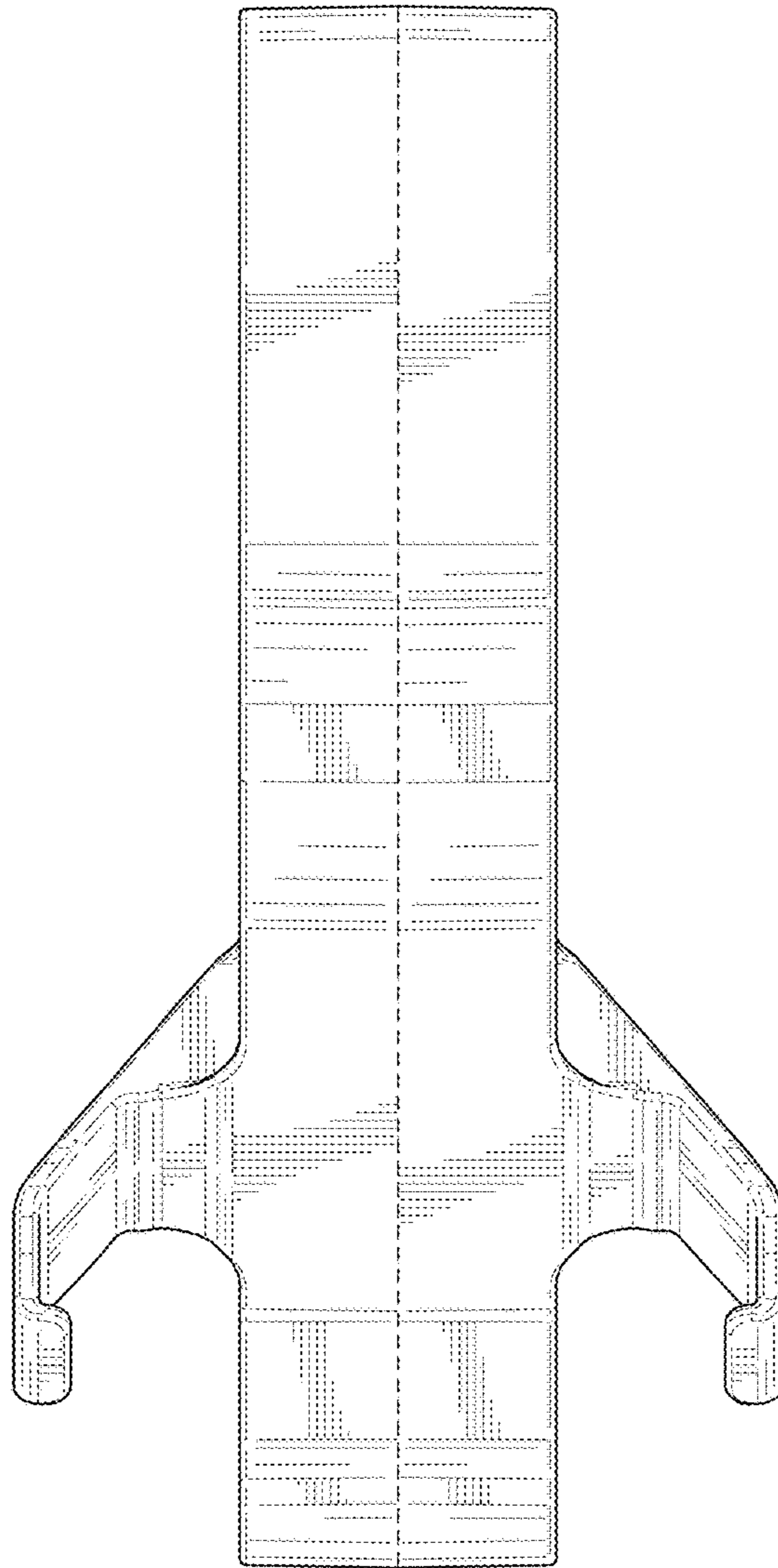


FIG. 7

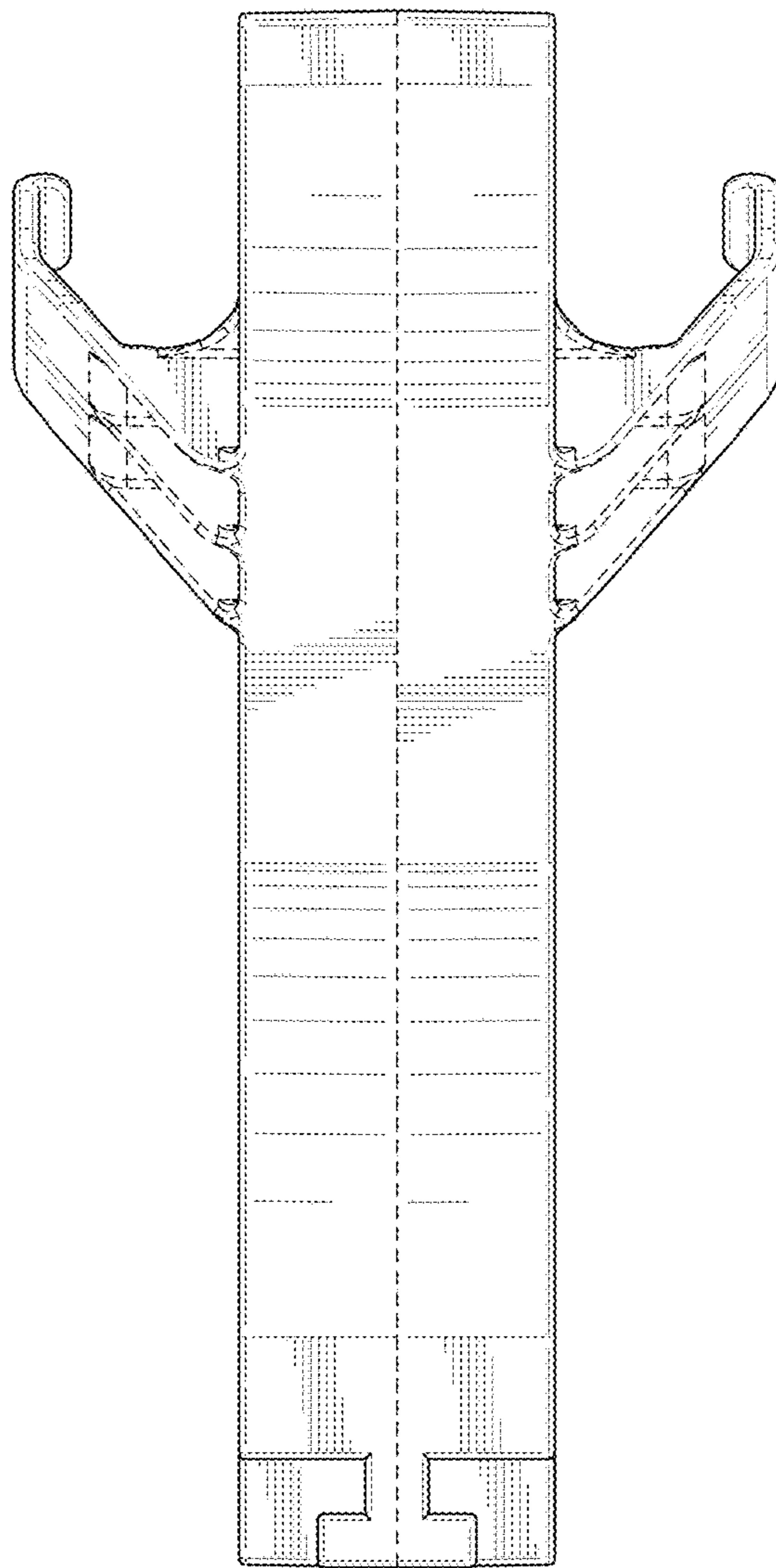


FIG. 8

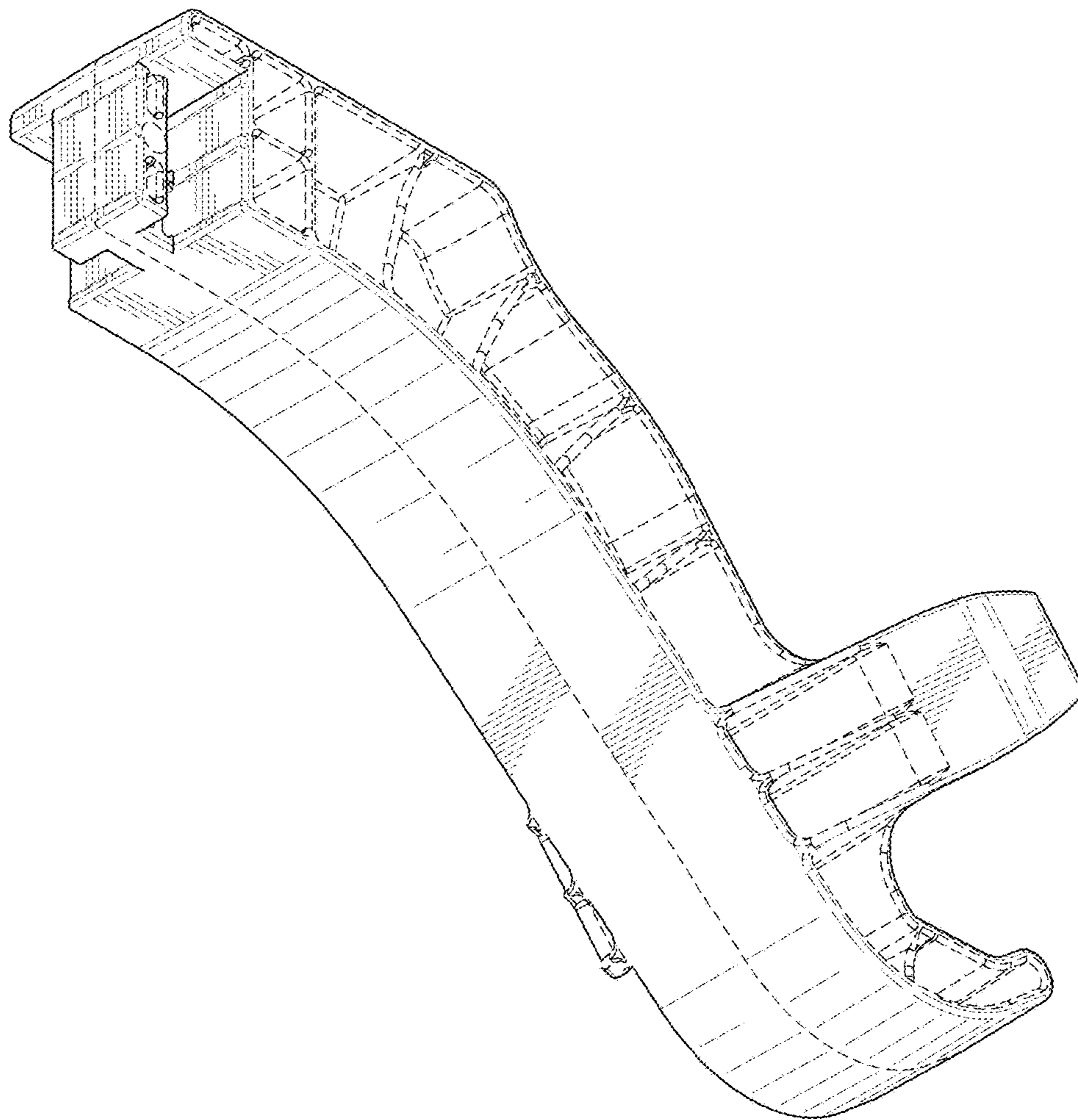


FIG. 9