



US00D862198S

(12) **United States Design Patent**  
**Pietruck**

(10) **Patent No.:** **US D862,198 S**

(45) **Date of Patent:** **\*\* Oct. 8, 2019**

(54) **COMBINATION LOCK**

4,761,974 A \* 8/1988 Lii ..... E05B 37/02  
70/312

(71) Applicant: **ABUS August Bremicker Söhne KG**,  
Wetter-Volmarstein (DE)

D442,463 S \* 5/2001 Tieu ..... D8/330  
D468,992 S \* 1/2003 Votruba ..... D8/343

(Continued)

(72) Inventor: **Carsten Pietruck**, Gevelsberg (DE)

*Primary Examiner* — R. Johnson

(73) Assignee: **ABUS August Bremicker Söhne KG**,  
Wetter-Volmarstein (DE)

(74) *Attorney, Agent, or Firm* — Dinsmore & Shohl LLP;  
Cesare Scalfani

(\*\*) Term: **15 Years**

(57) **CLAIM**

The ornamental design for a combination lock, as shown.

(21) Appl. No.: **29/607,594**

**DESCRIPTION**

(22) Filed: **Jun. 14, 2017**

(30) **Foreign Application Priority Data**

Mar. 14, 2017 (EM) ..... 003799162

(51) **LOC (12) Cl.** ..... **08-07**

(52) **U.S. Cl.**  
USPC ..... **D8/331**

(58) **Field of Classification Search**

USPC ..... D8/330, 331–336, 338, 343, 347; 70/57,  
70/57.1, 14, 20–22, 91, 92, 102, 141,  
70/237, 272.2, 278.1, 278.7, 279.1, 416,  
70/465, 442, 443, 214, 447, 367;  
340/542, 547, 545.1, 545.7; 292/336.3,  
292/301–304, 358, 359  
CPC . E05B 9/00; E05B 9/08; E05B 13/103; E05B  
27/00; E05B 35/00; E05B 37/00; E05B  
41/00; E05B 49/00; E05B 51/00; E05B  
55/00; E05B 65/00; E05B 65/007; E05B  
15/0093

See application file for complete search history.

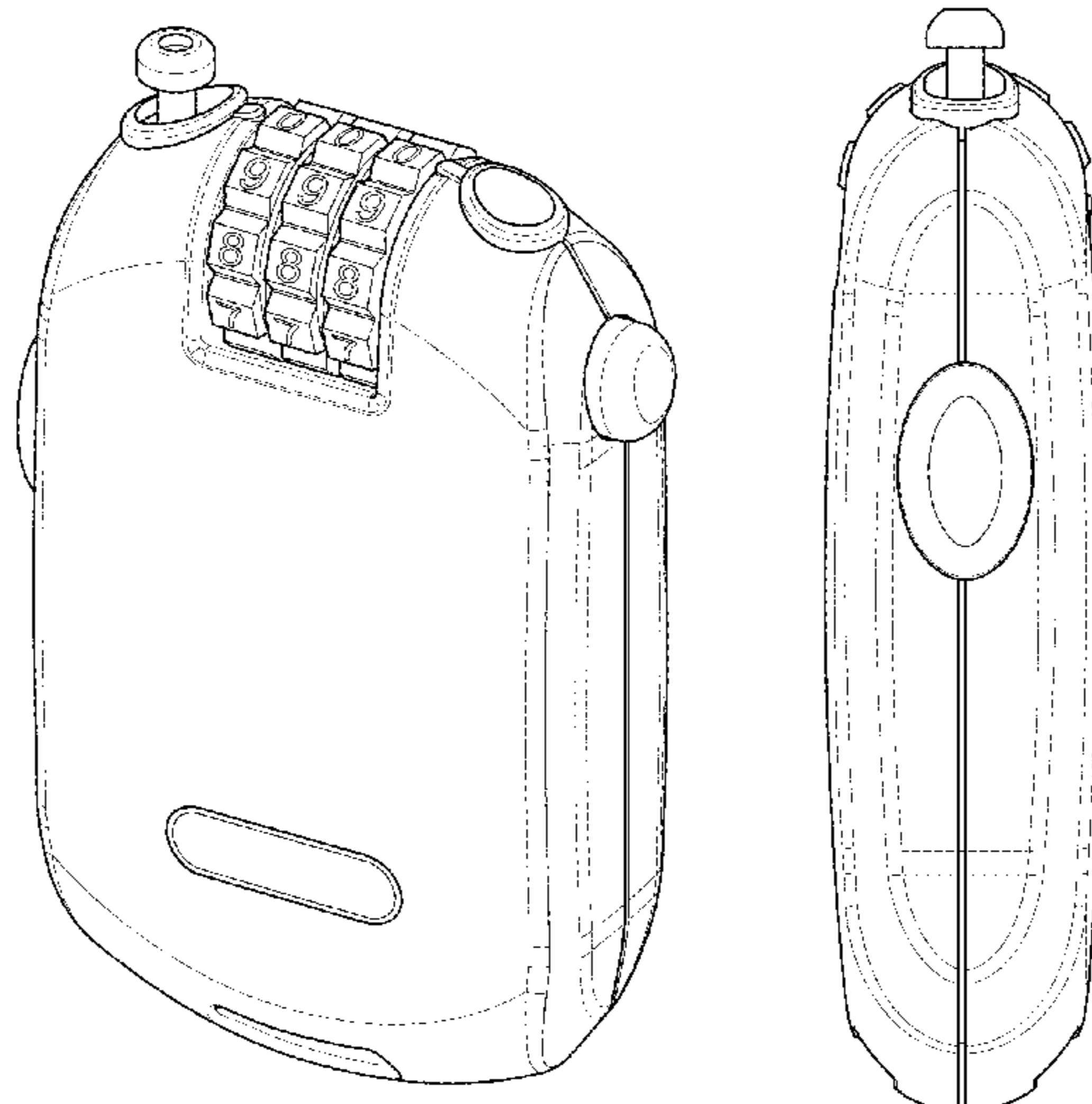
FIG. 1 is a perspective view illustrating a first embodiment of the design of the present invention;  
FIG. 2 is a front elevational view thereof;  
FIG. 3 is a rear elevational view thereof;  
FIG. 4 is a left side view thereof;  
FIG. 5 is a right side view thereof;  
FIG. 6 is a top plan view thereof;  
FIG. 7 is a bottom plan view thereof;  
FIG. 8 is a perspective view of a second embodiment of the lock of the design;  
FIG. 9 is a front elevational view thereof;  
FIG. 10 is rear elevational view thereof;  
FIG. 11 is a left side view thereof;  
FIG. 12 is a right side view thereof;  
FIG. 13 is a top plan view thereof;  
FIG. 14 is a bottom plan view thereof;  
FIG. 15 is a perspective view illustrating a third embodiment of the design of the invention;  
FIG. 16 is a front elevational view thereof;  
FIG. 17 is a rear elevational view thereof;  
FIG. 18 is a left side view thereof;  
FIG. 19 is a right side view thereof;  
FIG. 20 is a top plan view thereof; and,  
FIG. 21 is a bottom plan view thereof.  
The broken lines show components of the combination lock that form no part of the claimed design.

(56) **References Cited**

**U.S. PATENT DOCUMENTS**

D266,395 S \* 10/1982 Miller ..... D8/343  
D292,868 S \* 11/1987 Cheng ..... D8/331  
D293,765 S \* 1/1988 Miles ..... D8/330

**1 Claim, 9 Drawing Sheets**



(56)

**References Cited**

U.S. PATENT DOCUMENTS

D474,675	S	*	5/2003	Simon	.....	D8/346
D549,080	S	*	8/2007	Killins	.....	D8/346
D558,024	S	*	12/2007	Tremble	.....	D8/331
D635,436	S	*	4/2011	Barton	.....	D8/331
D764,891	S	*	8/2016	Gokcebay	.....	D8/330
D809,366	S	*	2/2018	Gokcebay	.....	D8/331
2013/0055773	A1	*	3/2013	Li	.....	E05B 47/06 70/278.1

\* cited by examiner

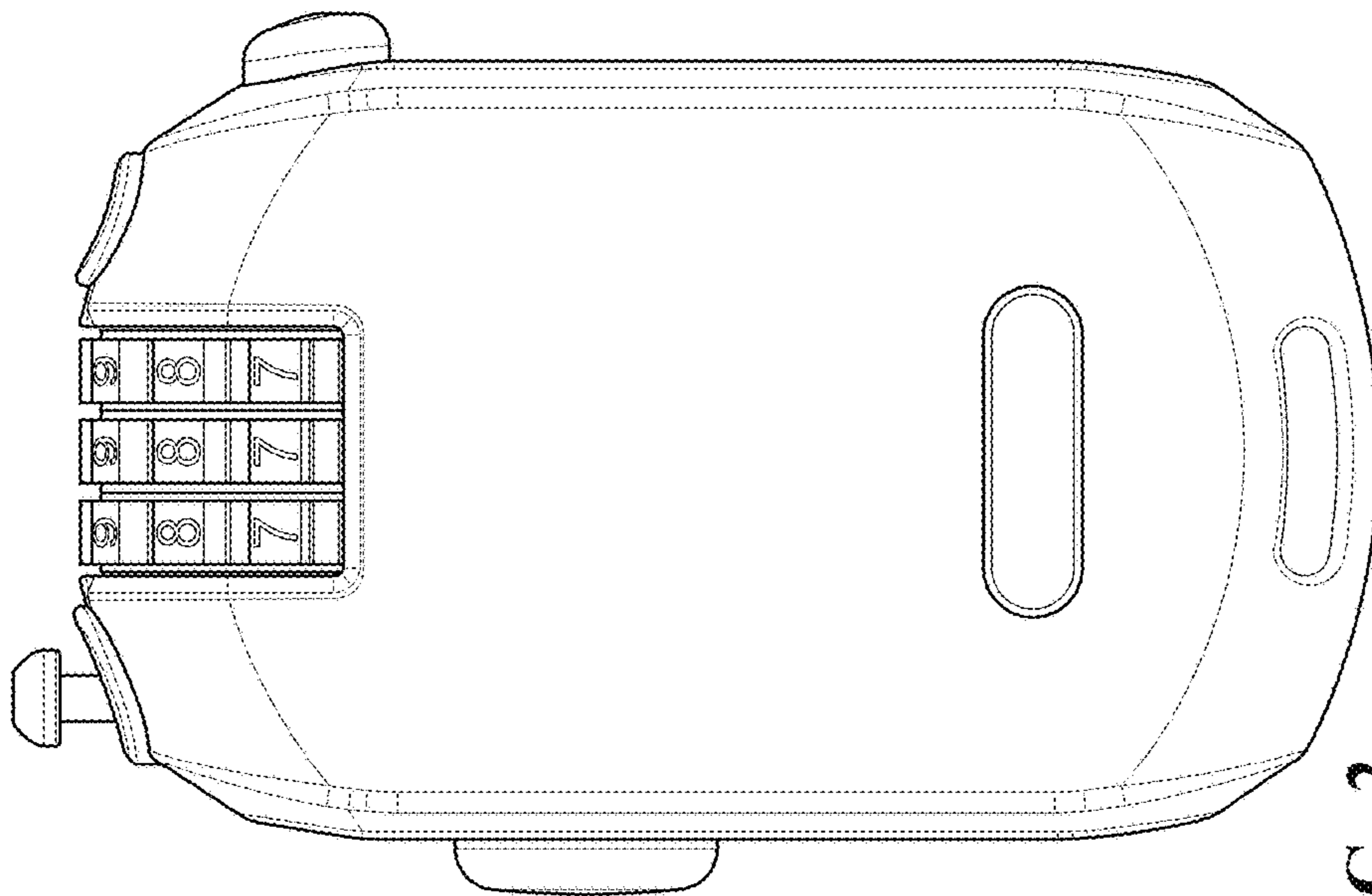


FIG. 2

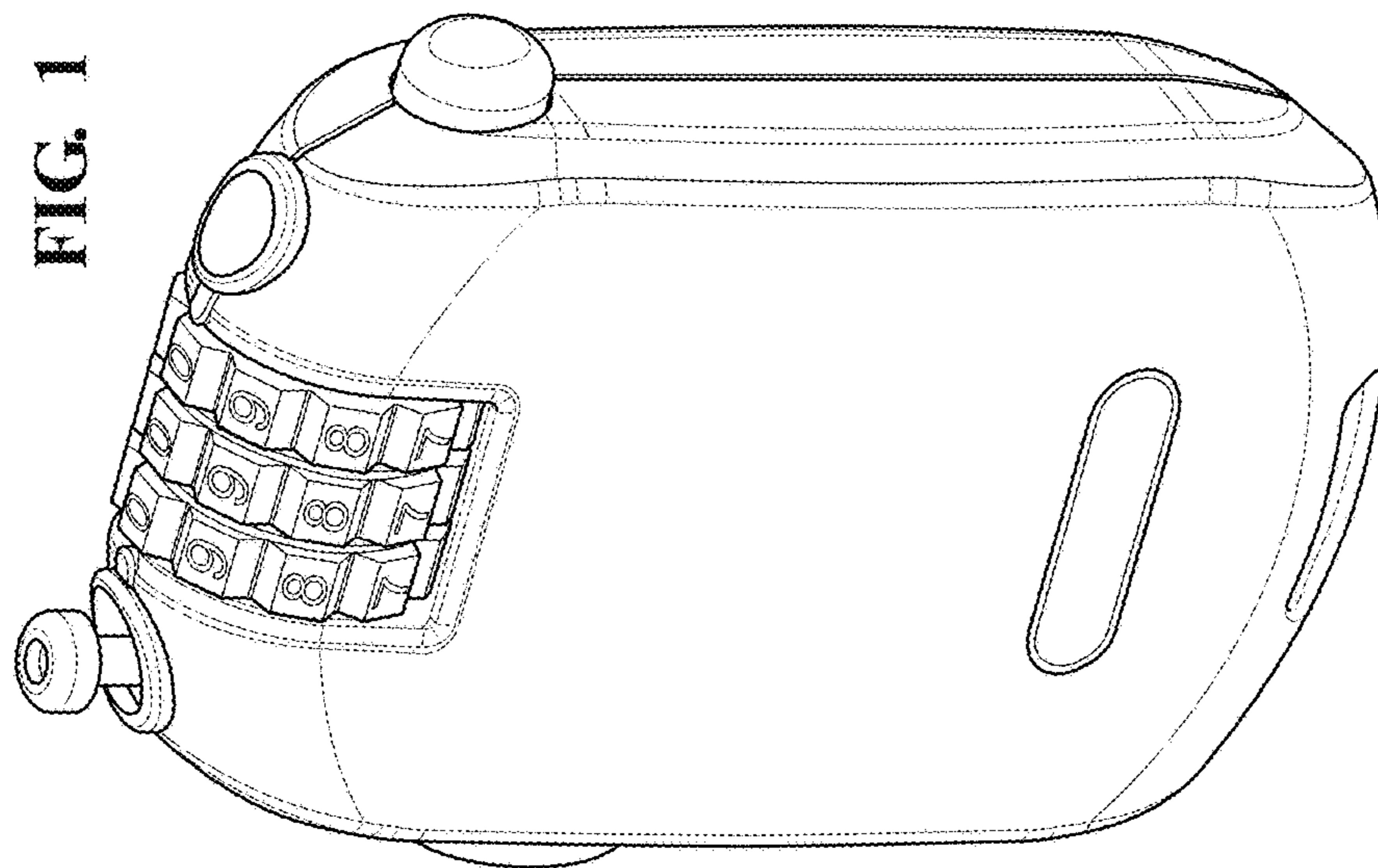


FIG. 1

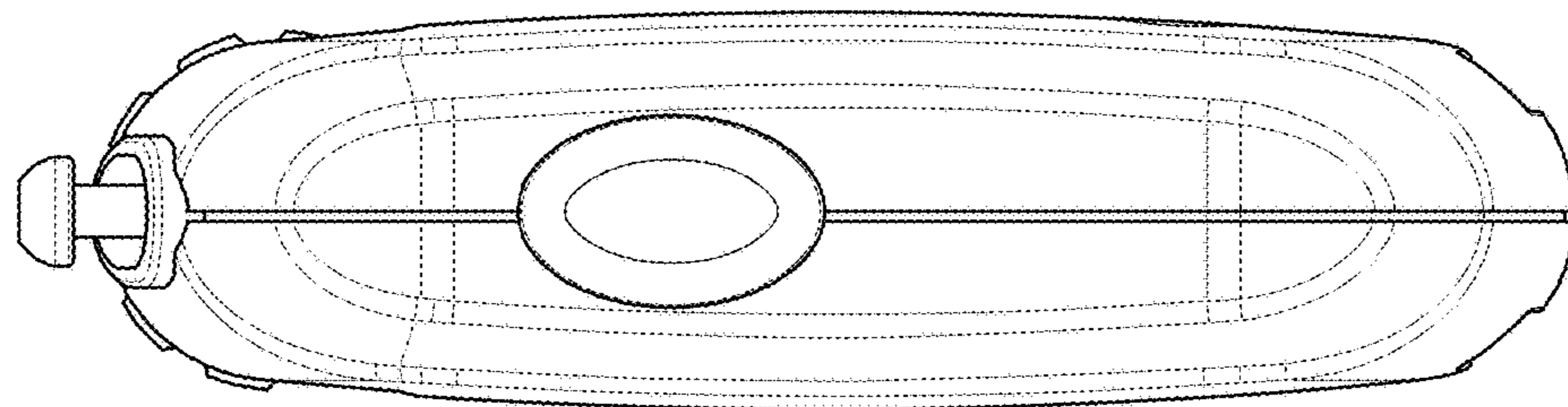


FIG. 4

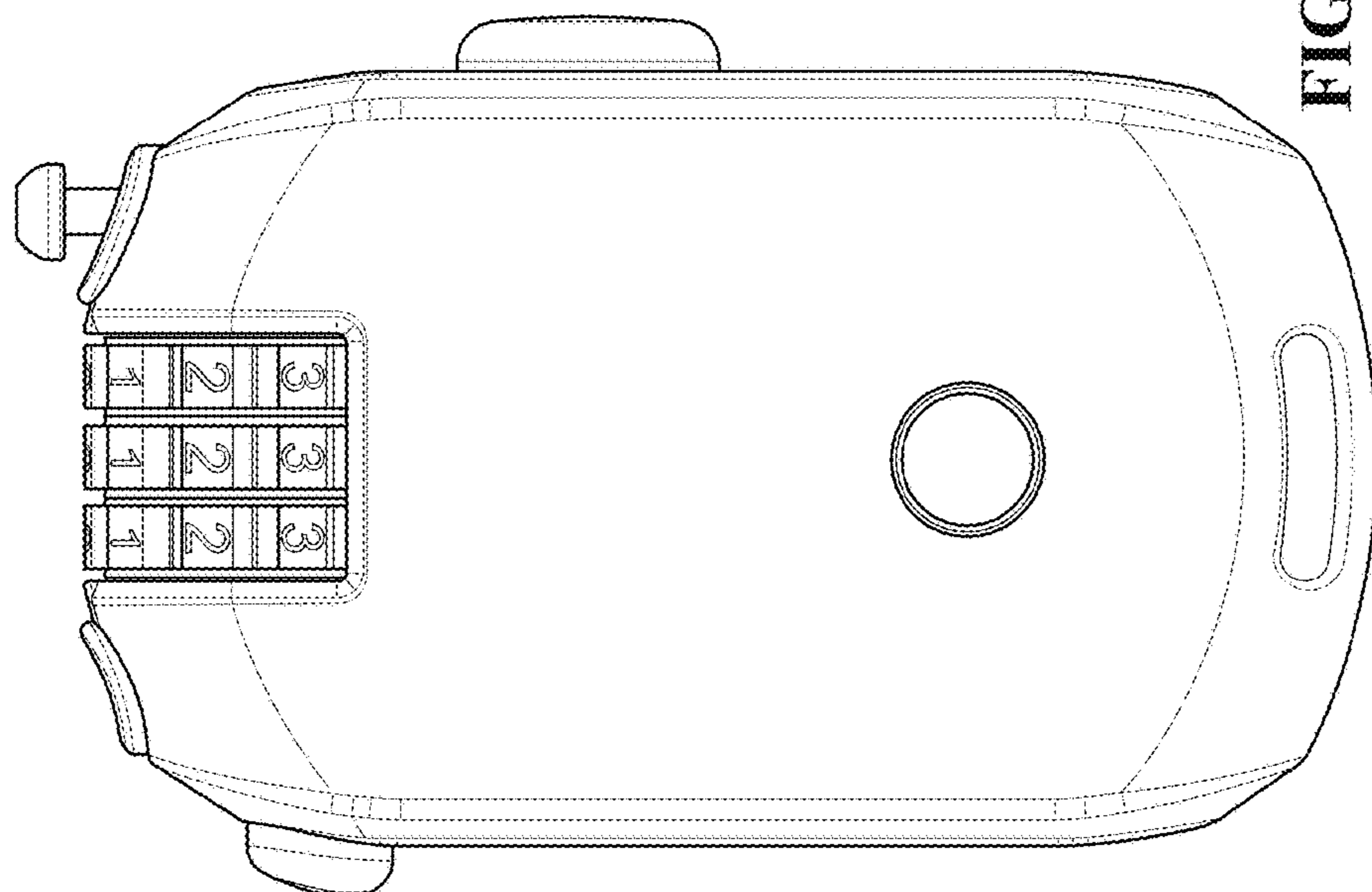


FIG. 3

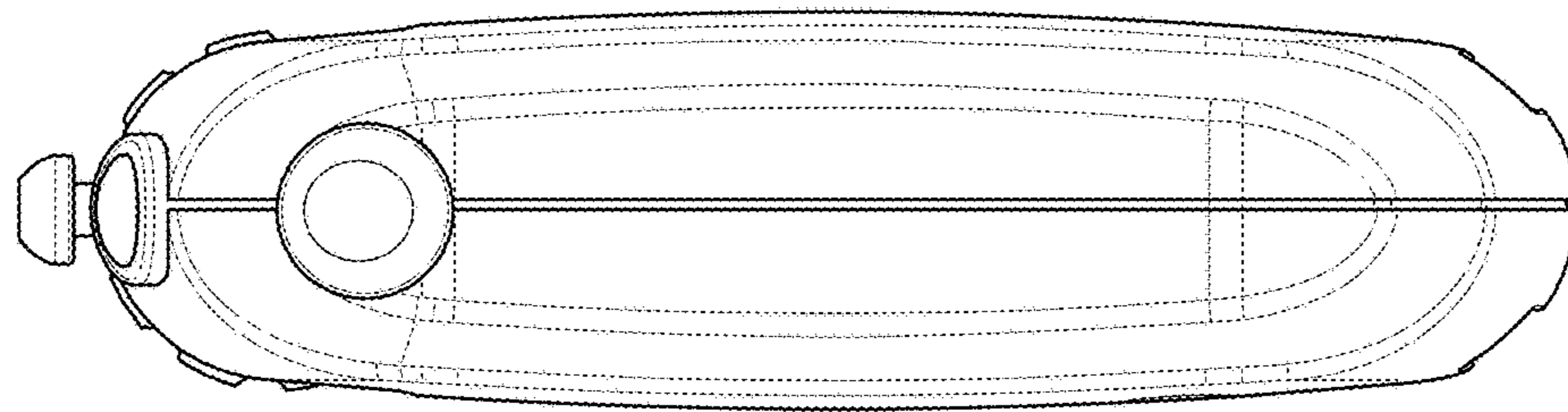


FIG. 5

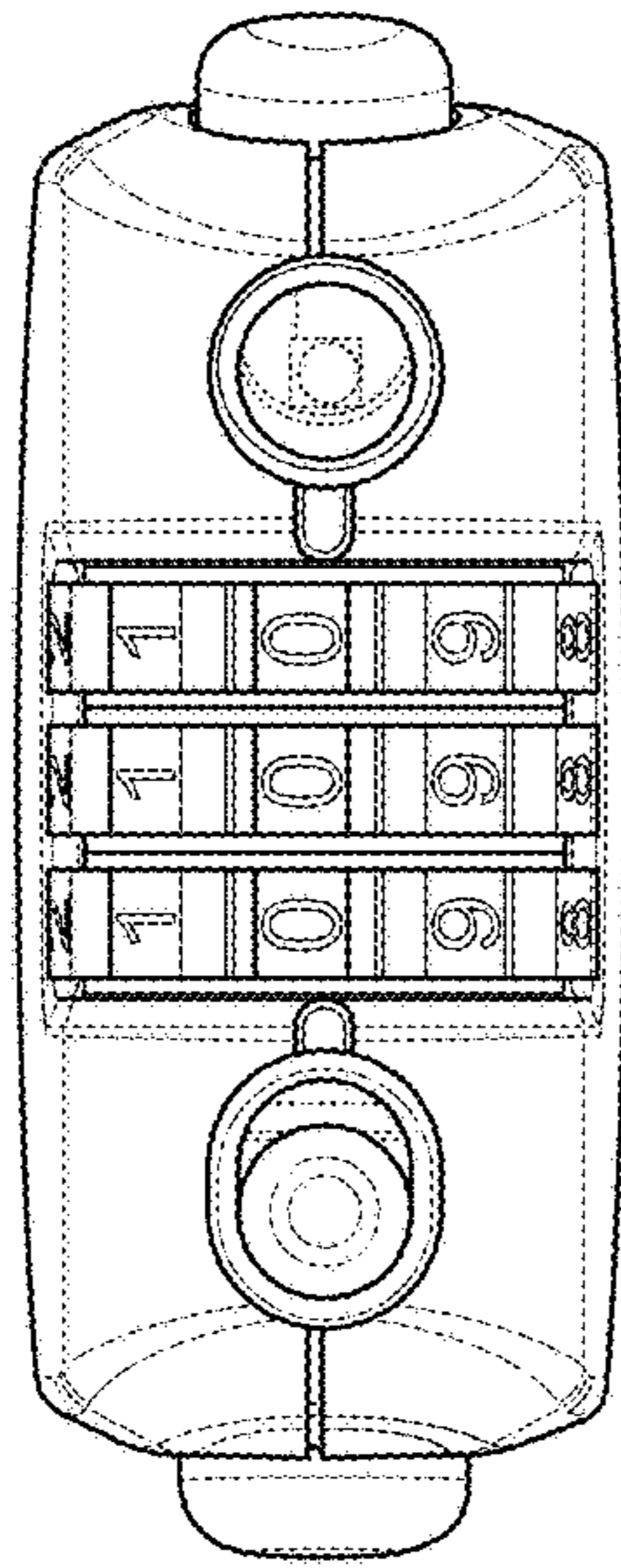


FIG. 6

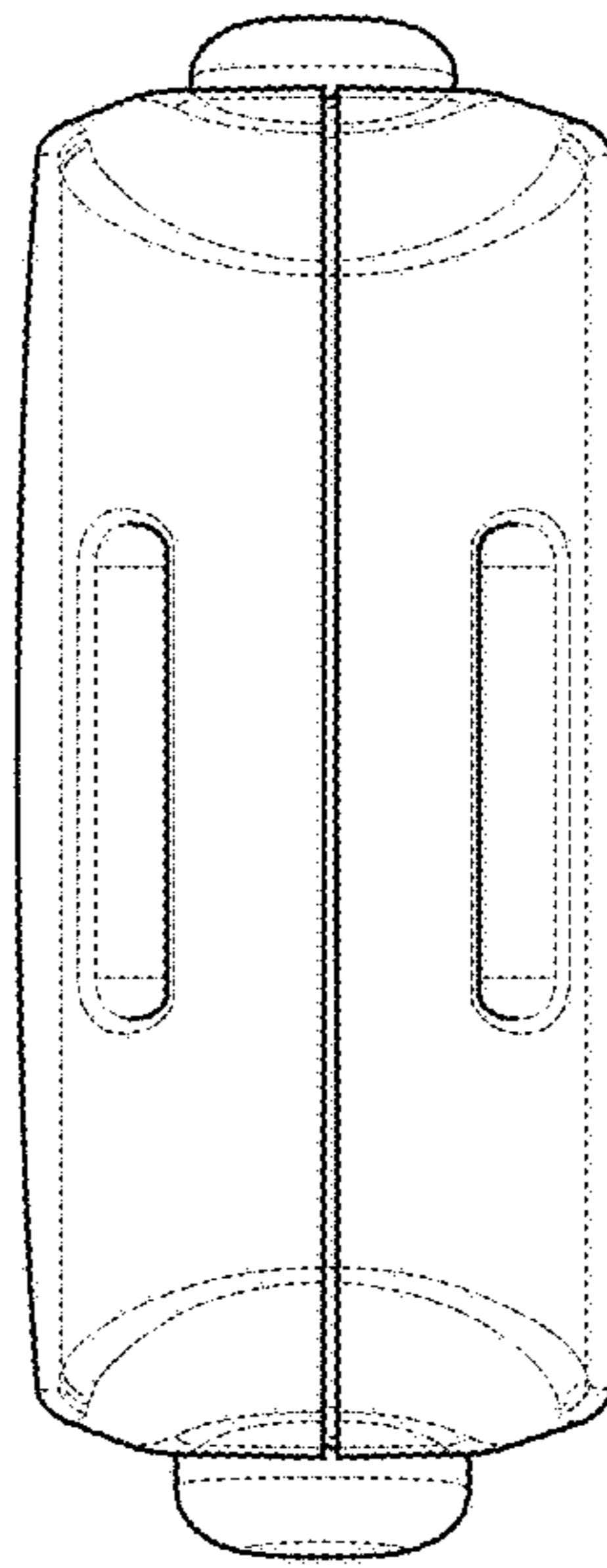


FIG. 7

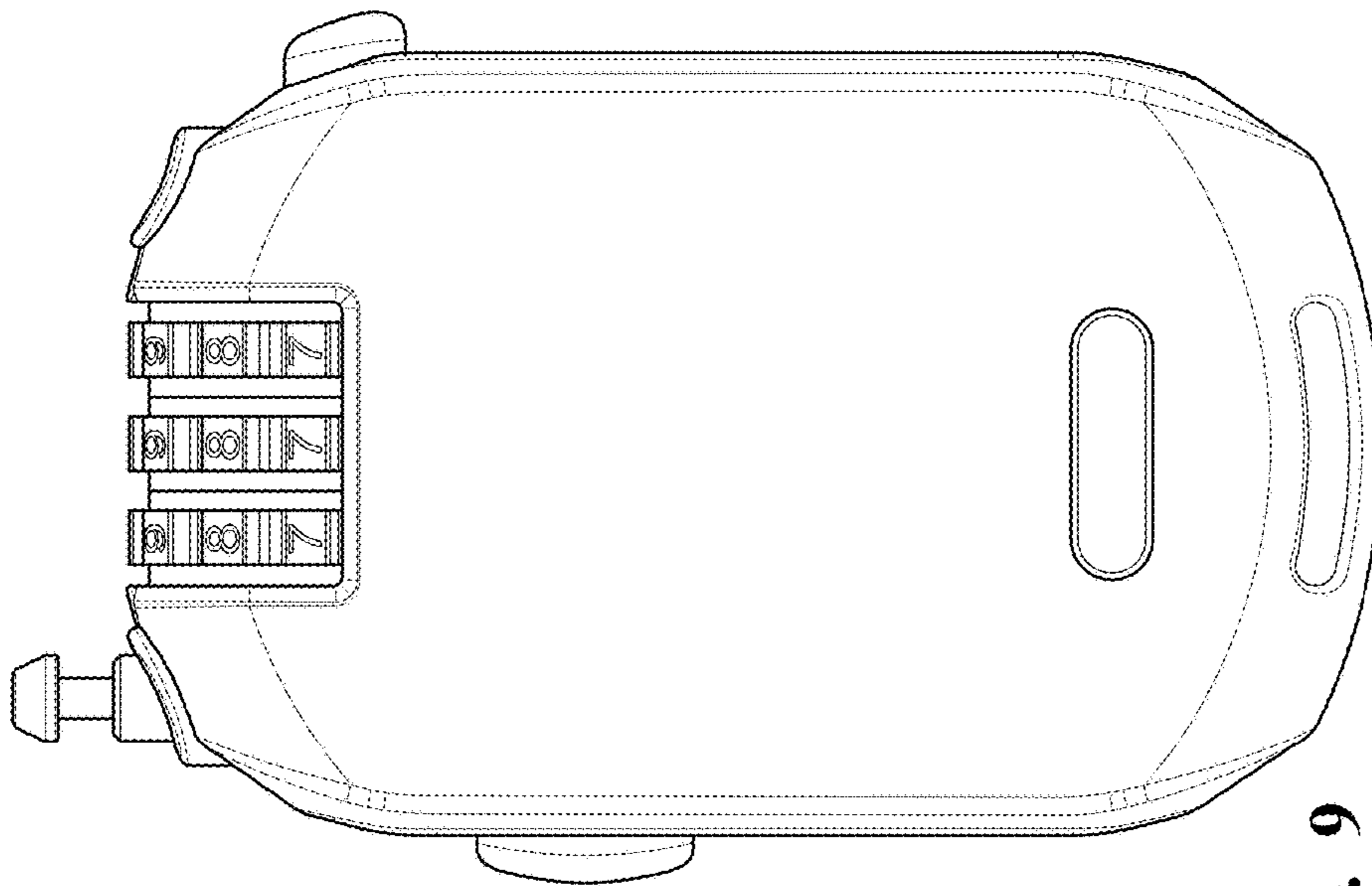


FIG. 9

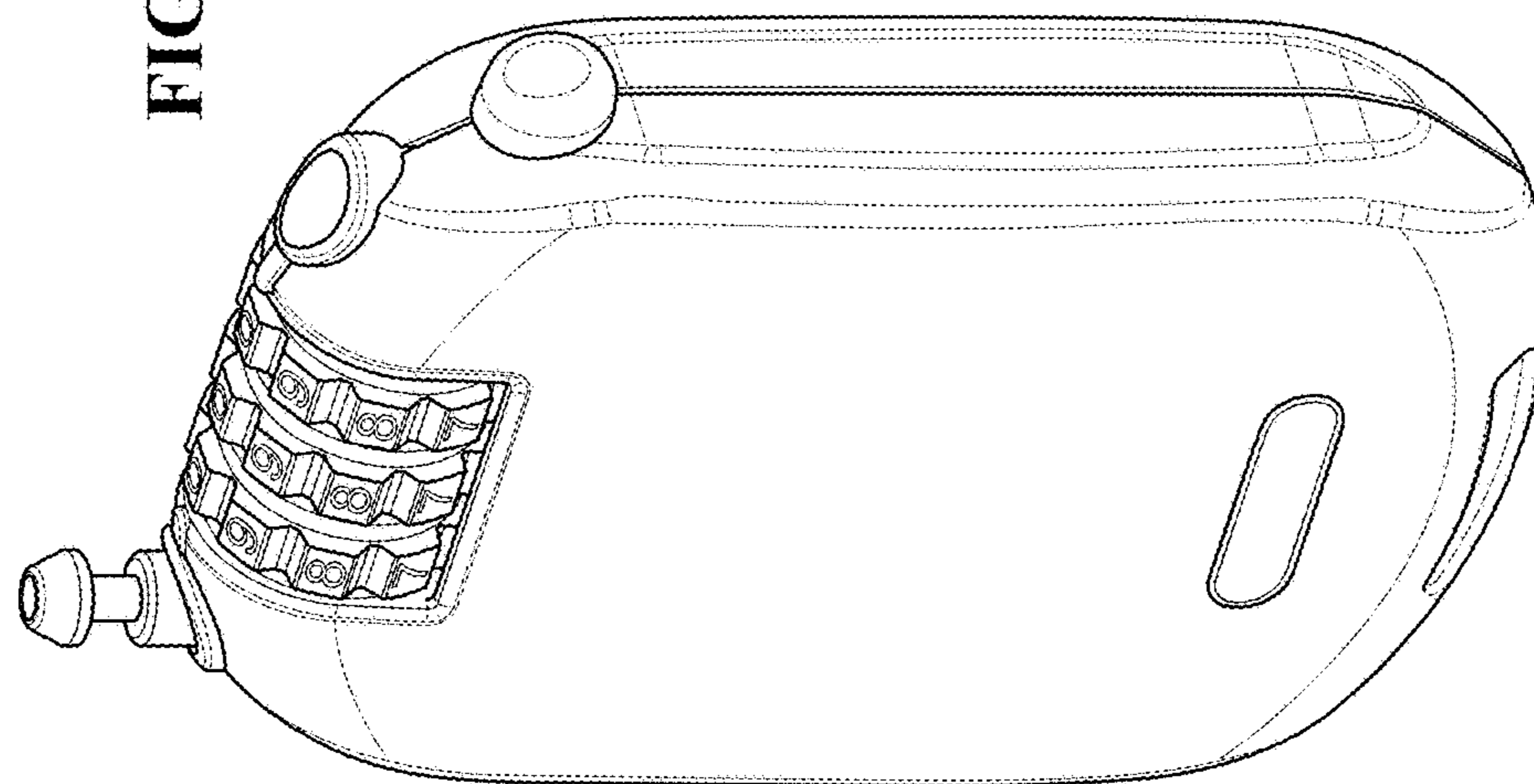


FIG. 8

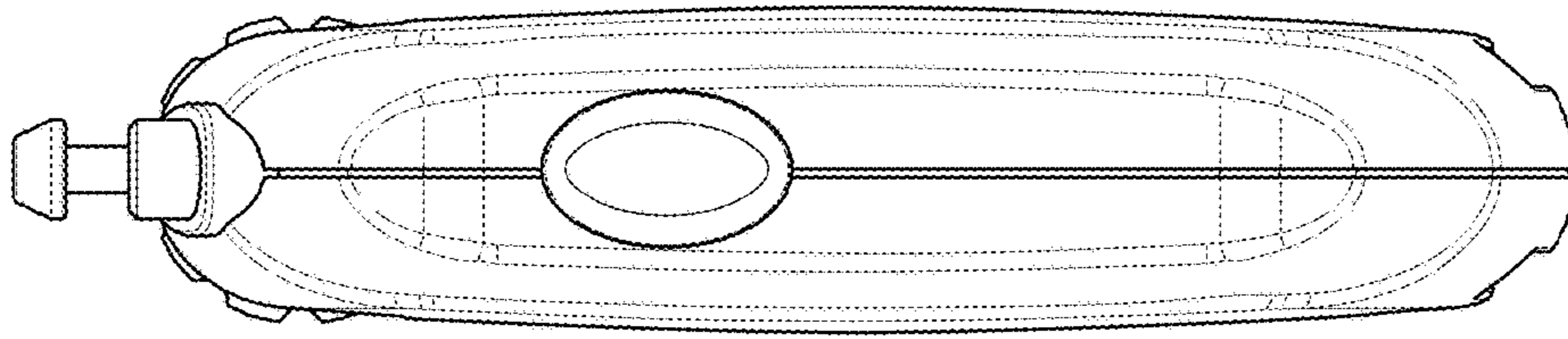


FIG. 11

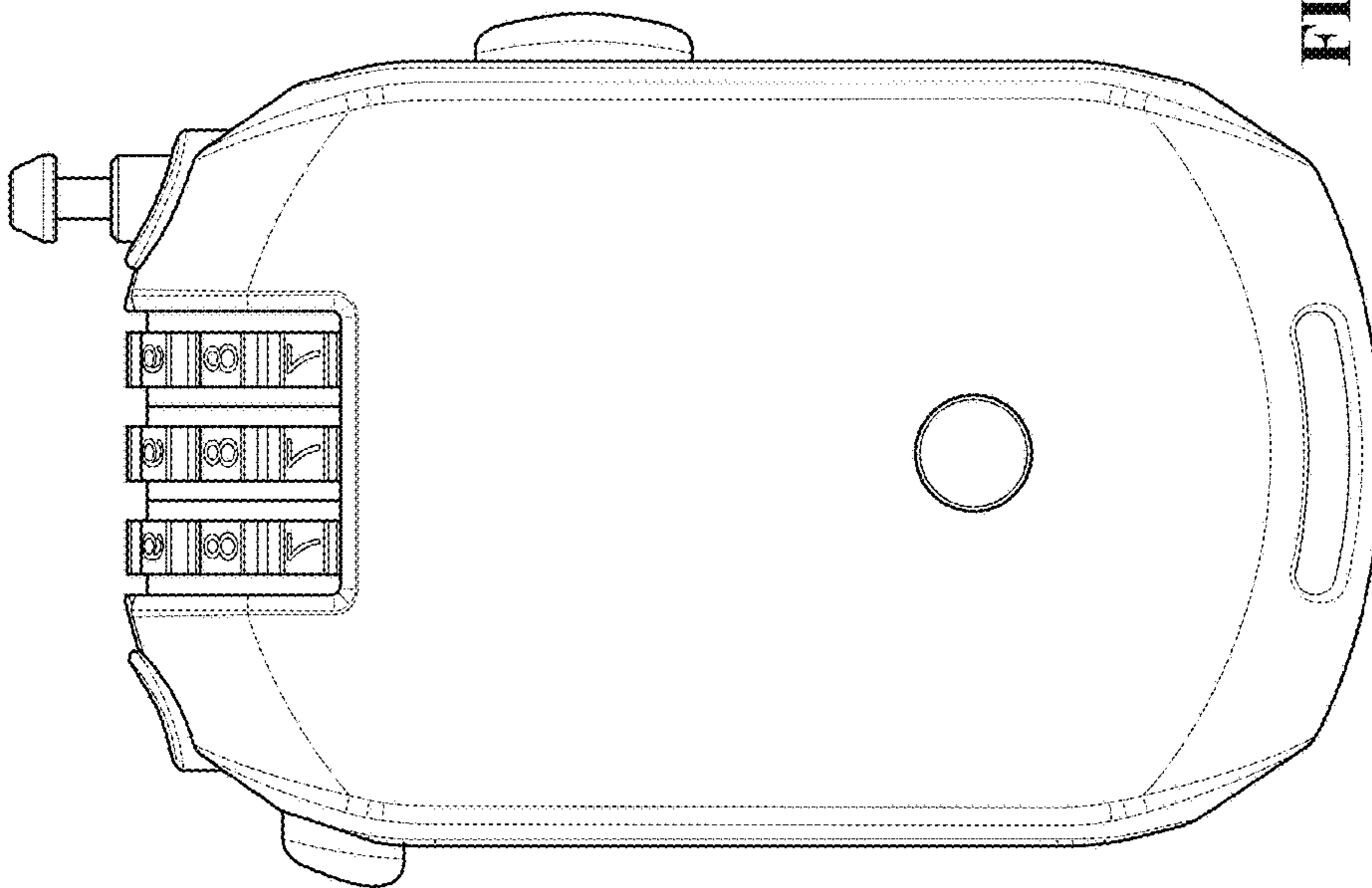


FIG. 10

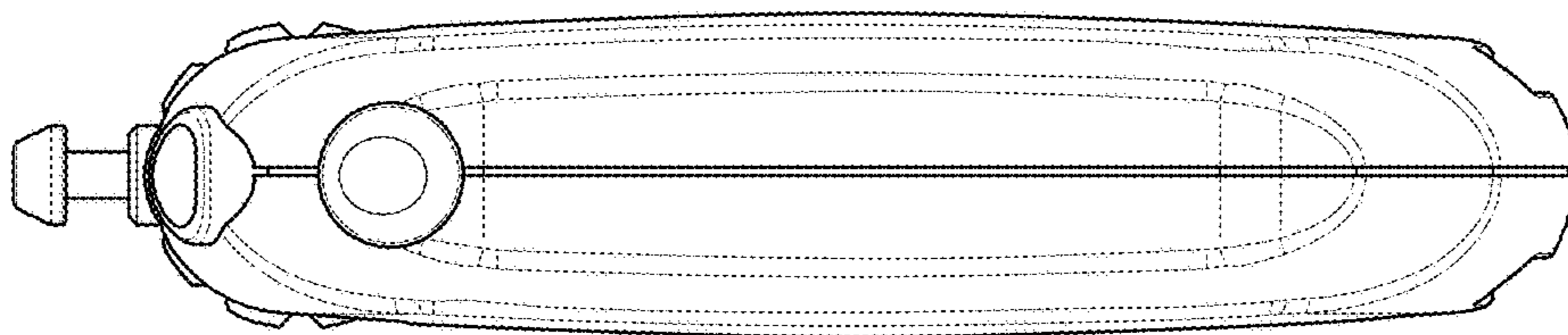


FIG. 12

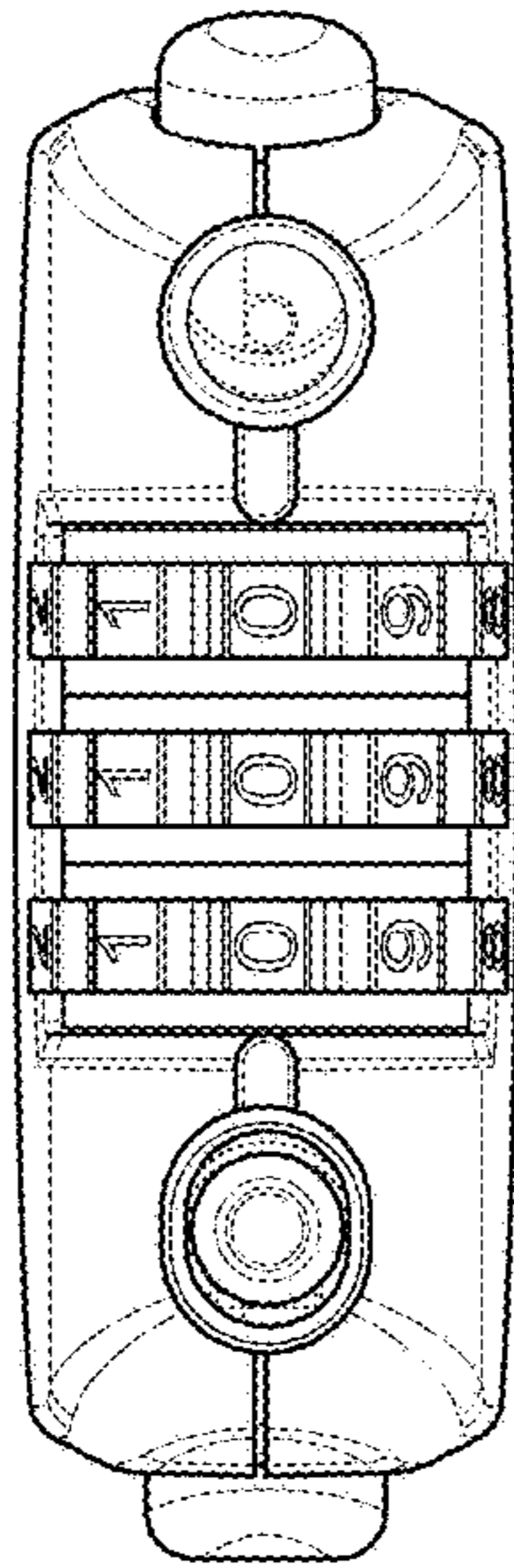


FIG. 13

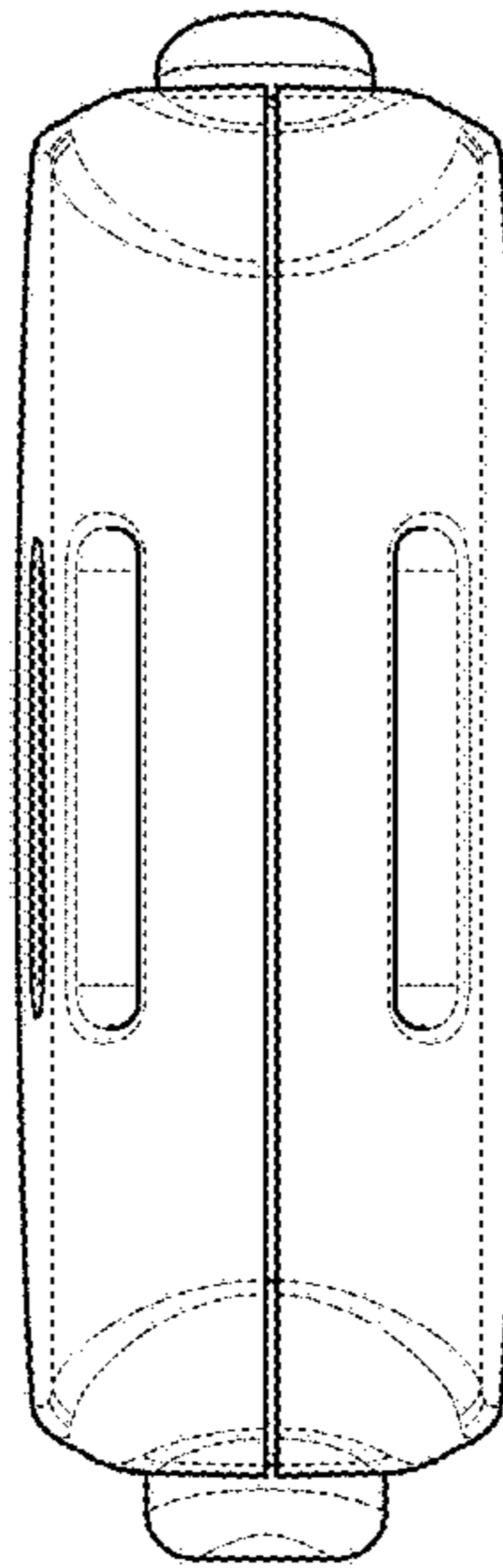


FIG. 14



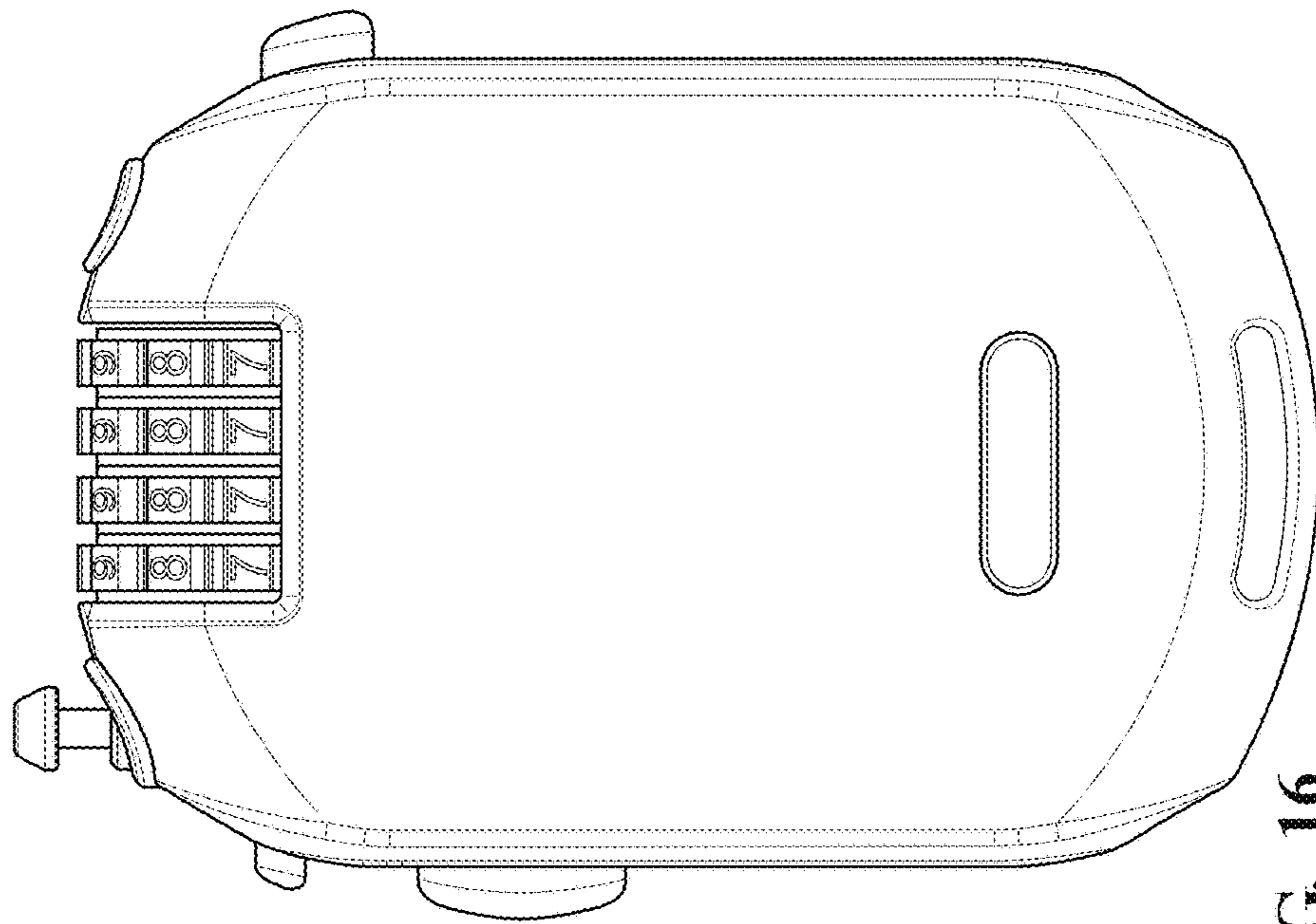


FIG. 15

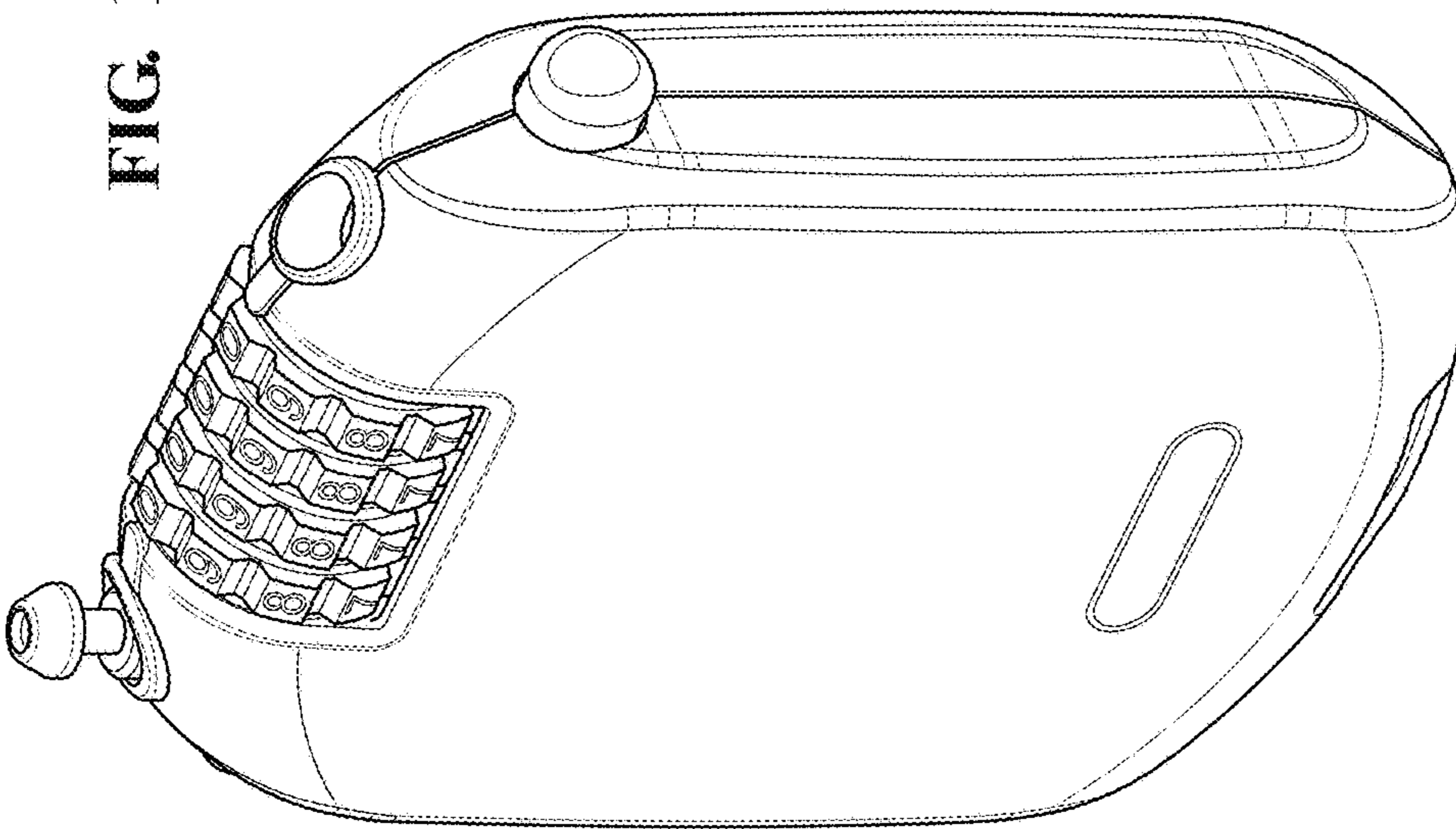


FIG. 16

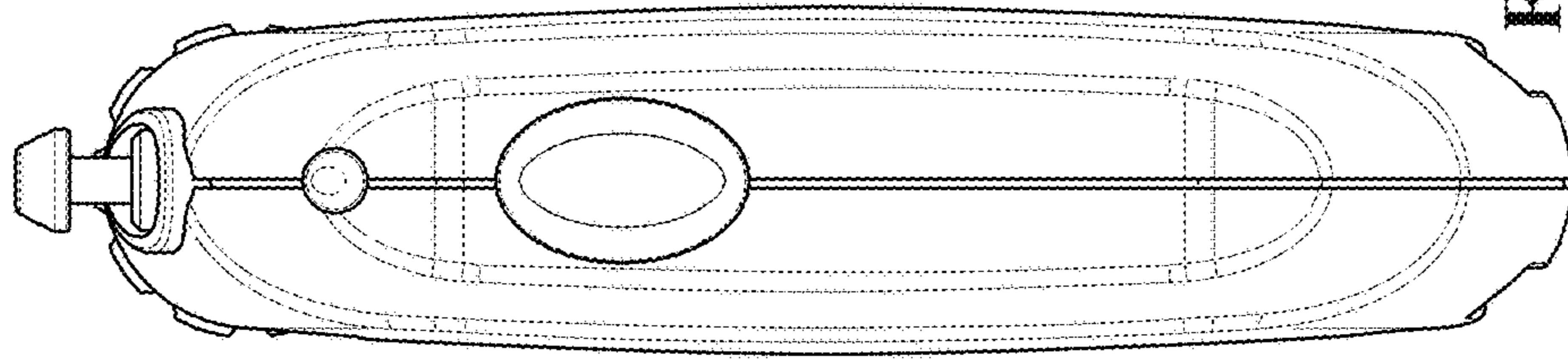


FIG. 17

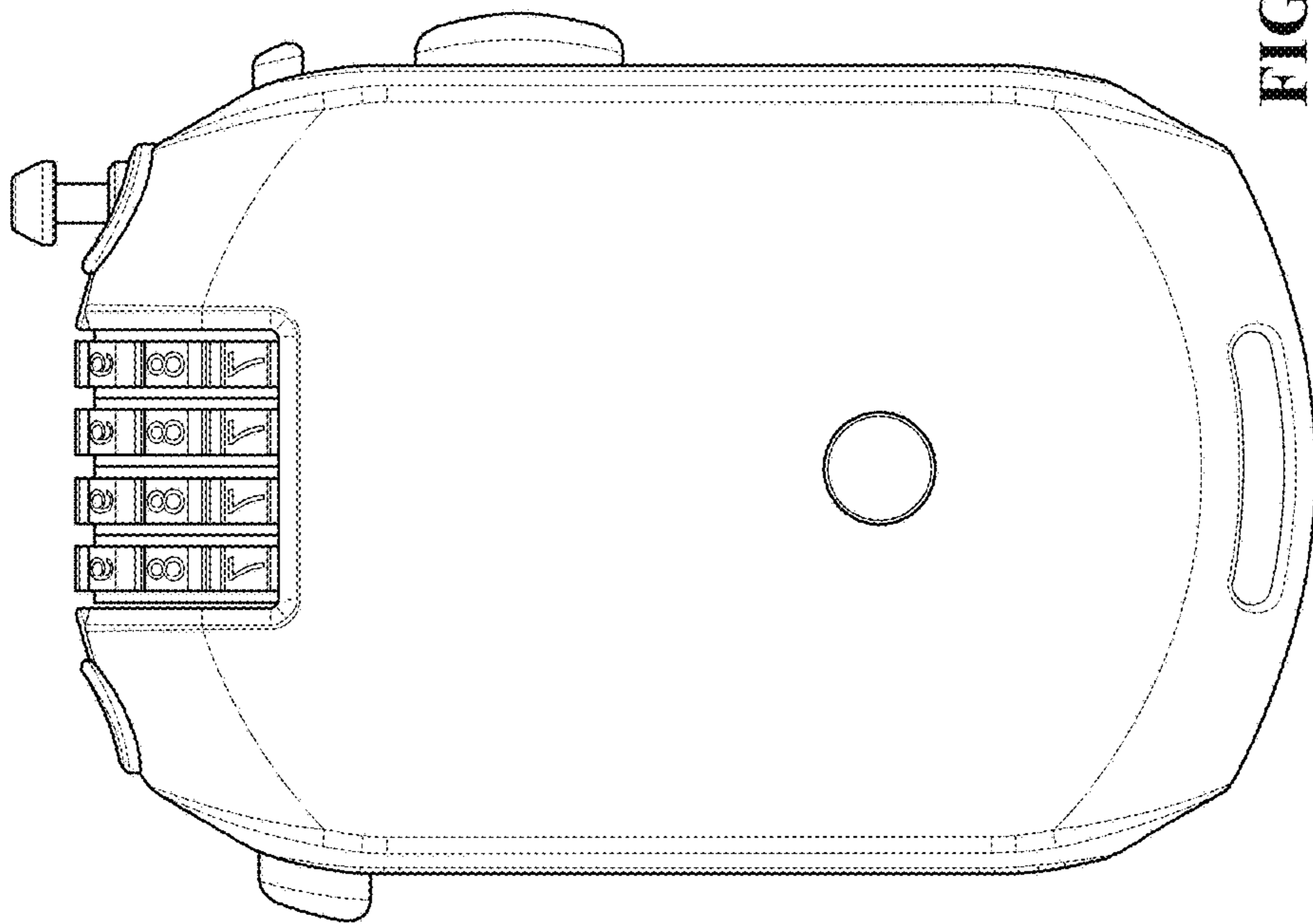


FIG. 18

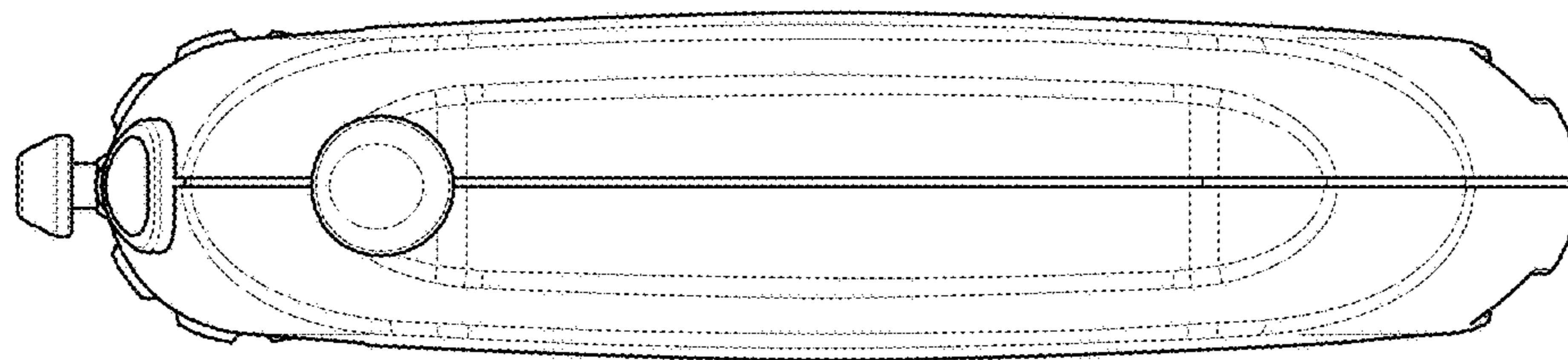


FIG. 19

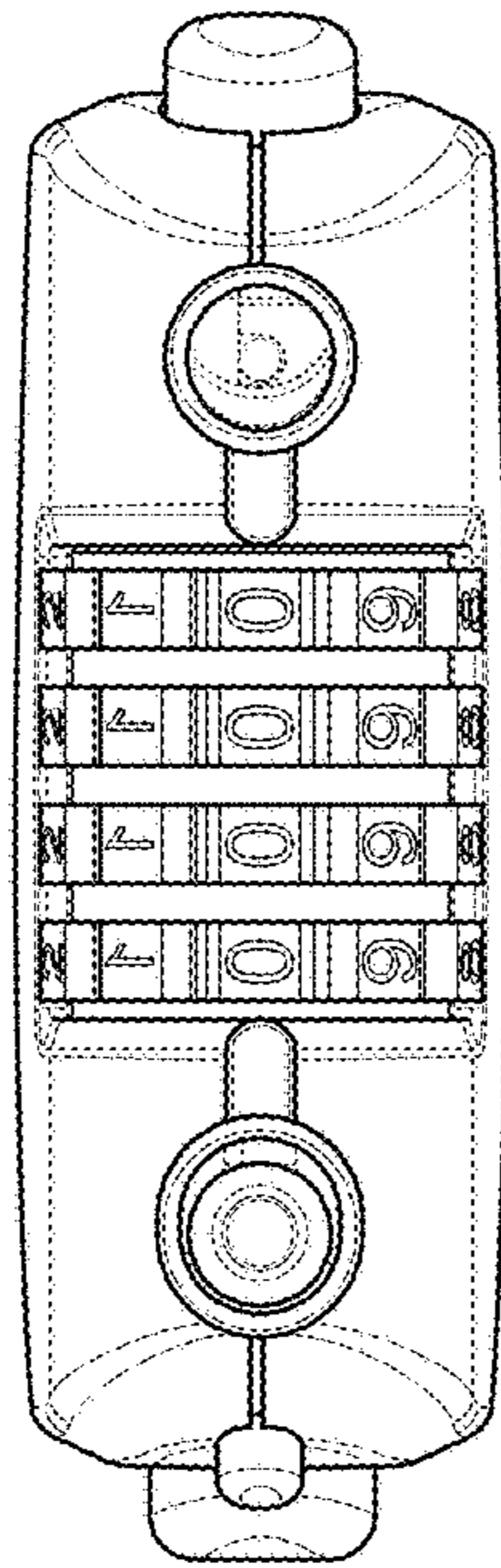


FIG. 20

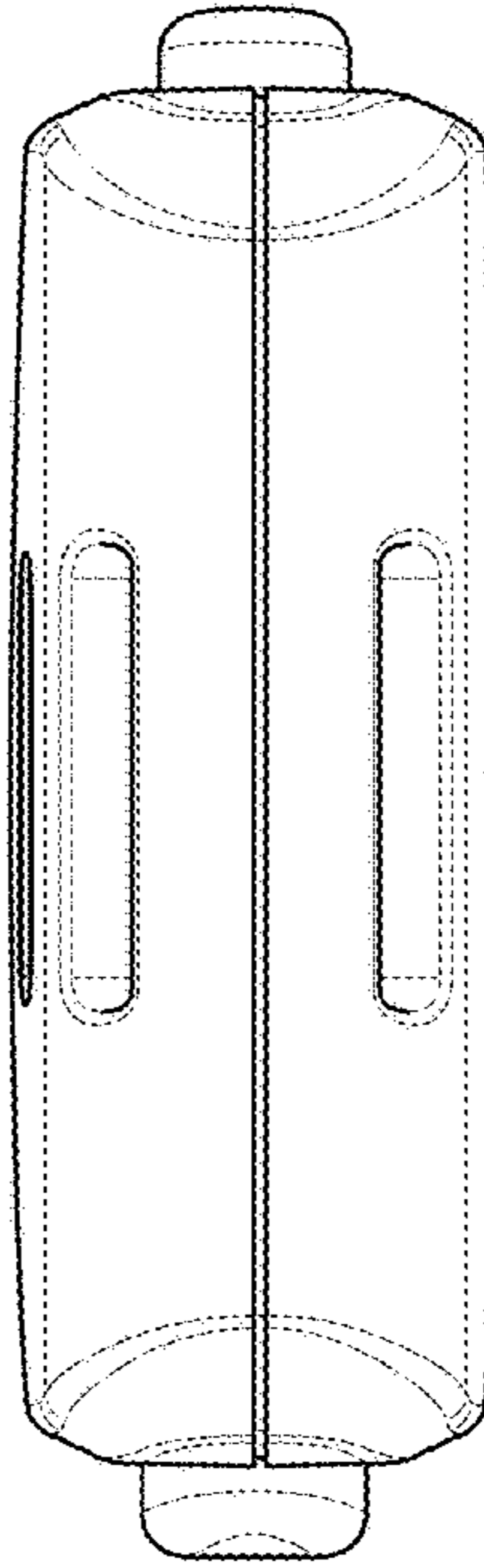


FIG. 21