

US00D862197S

(12) **United States Design Patent**
Brothers

(10) **Patent No.:** **US D862,197 S**

(45) **Date of Patent:** **** Oct. 8, 2019**

- (54) **HINGE**
 - (71) Applicant: **Peter Brothers**, Oakland, CA (US)
 - (72) Inventor: **Peter Brothers**, Oakland, CA (US)
 - (**) Term: **15 Years**
 - (21) Appl. No.: **29/641,051**
 - (22) Filed: **Mar. 19, 2018**
 - (51) **LOC (12) Cl.** **08-06**
 - (52) **U.S. Cl.**
USPC **D8/323**
 - (58) **Field of Classification Search**
USPC D8/323, 327, 328, 329; 16/250, 251
CPC E05D 5/12; E05D 51/02; E05D 11/082;
E05D 11/0054; B64G 1/222; E05B 12/24;
E05B 13/0292
- See application file for complete search history.

- 2,809,456 A * 10/1957 Knapp B44F 9/10
16/251
- 4,825,508 A * 5/1989 Post, Jr. E05D 11/00
16/250
- D645,725 S * 9/2011 Katz D8/323
- 8,407,859 B1 * 4/2013 Mitchell E05D 5/04
16/312
- D718,608 S * 12/2014 Russo D8/323
- D792,753 S * 7/2017 Brothers D8/323

* cited by examiner

Primary Examiner — Cynthia R Underwood

(74) *Attorney, Agent, or Firm* — Theodore J. Bielen, Jr.

(56) **References Cited**

U.S. PATENT DOCUMENTS

- 1,167,444 A * 1/1916 Stevenson E05D 11/0054
16/251
- 1,683,272 A * 9/1928 Tucker B21D 53/40
16/250

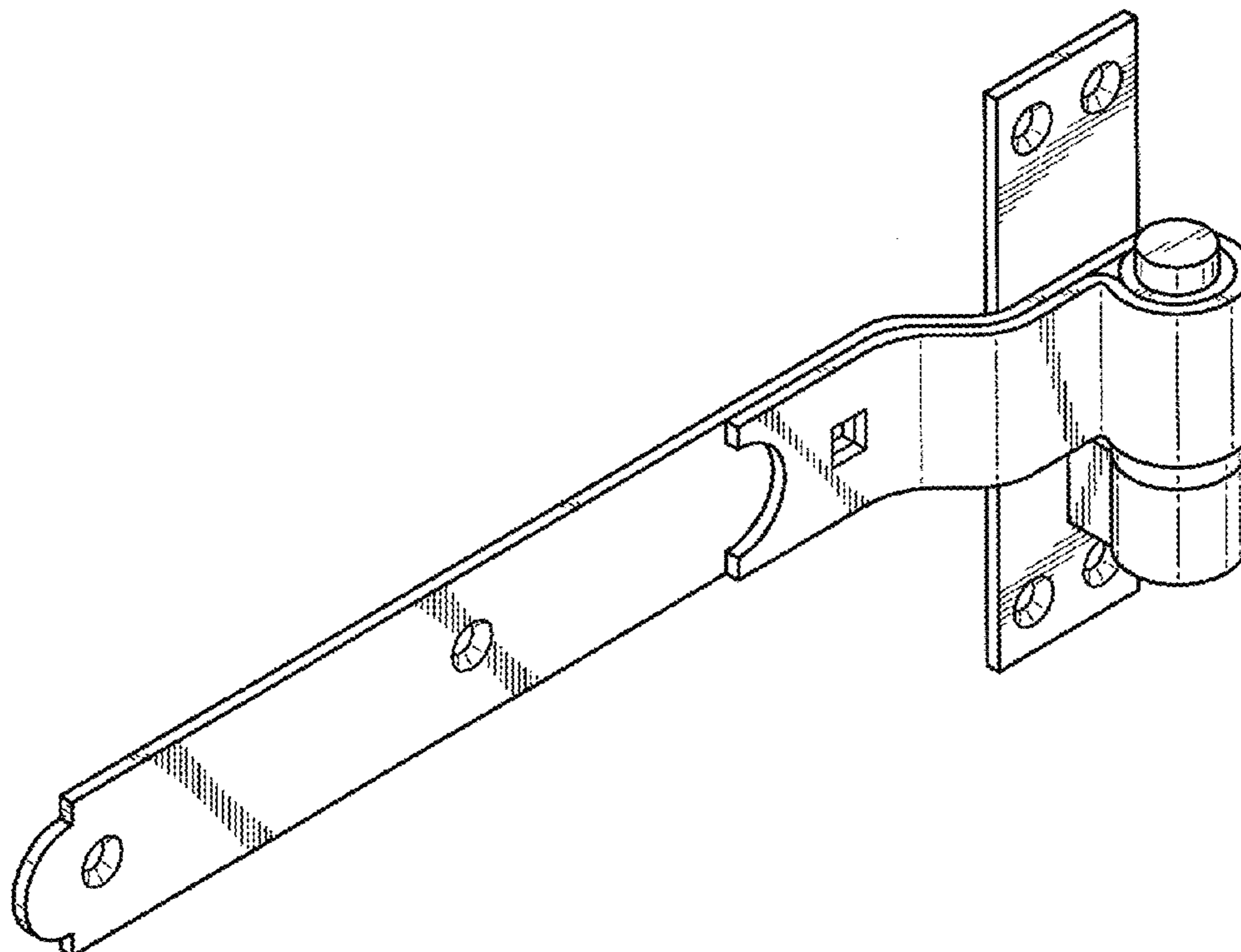
(57) **CLAIM**

The ornamental design for an improved hinge, as shown and described.

DESCRIPTION

FIG. 1 is a perspective view of the hinge;
 FIG. 2 is a front elevational view;
 FIG. 3 is a top plan view;
 FIG. 4 is a left side view;
 FIG. 5 is a bottom plan view;
 FIG. 6 is a right-side view; and,
 FIG. 7 is a rear elevational view, thereof.

1 Claim, 3 Drawing Sheets



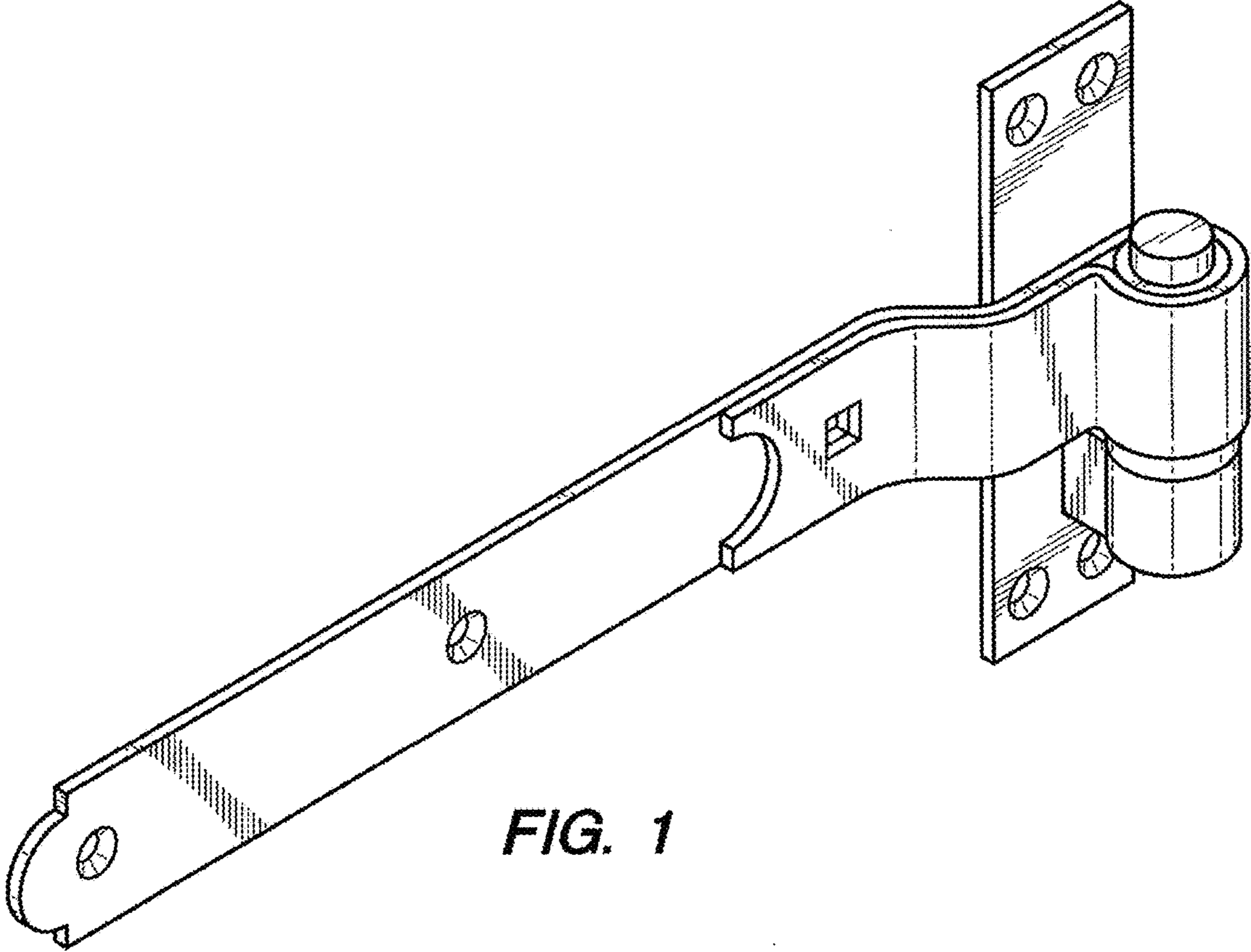


FIG. 1

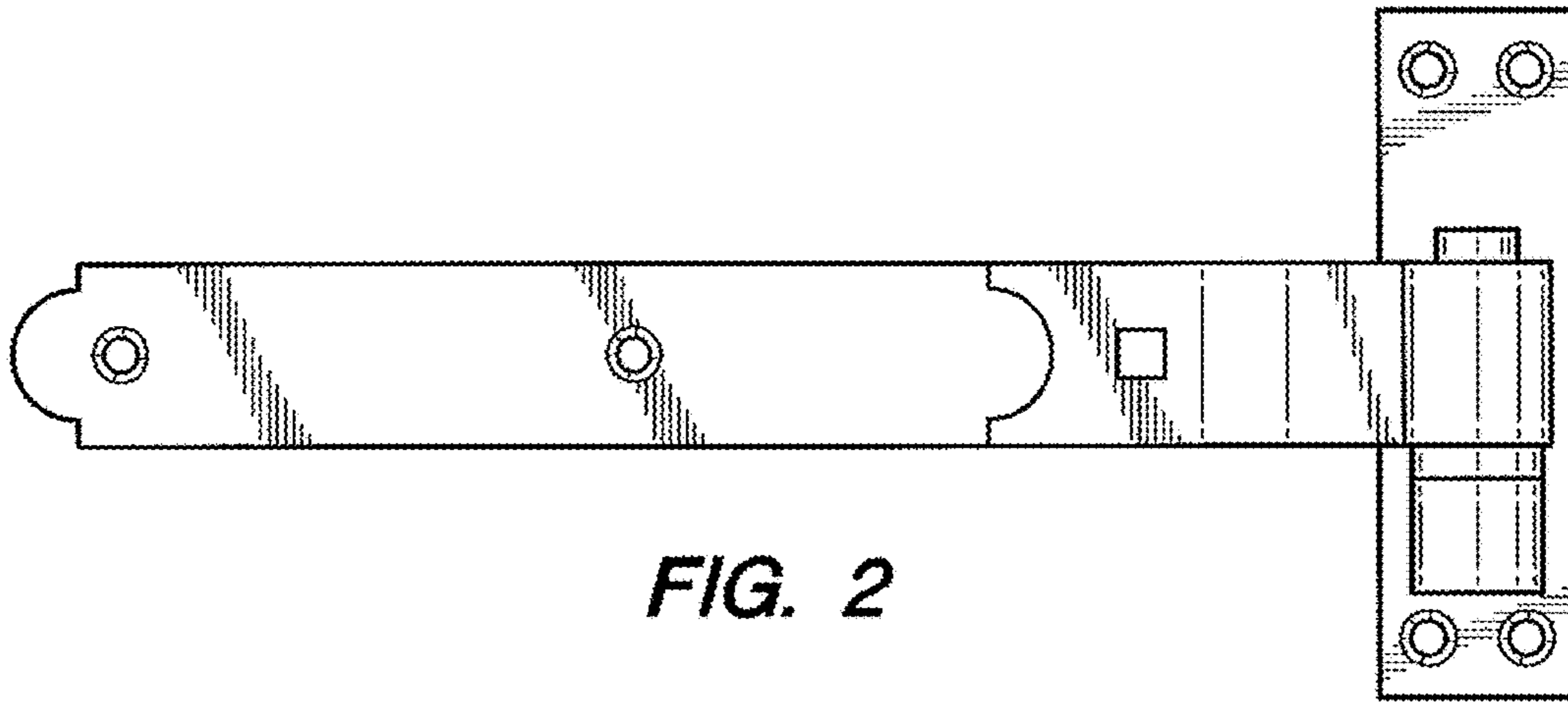


FIG. 2



FIG. 3

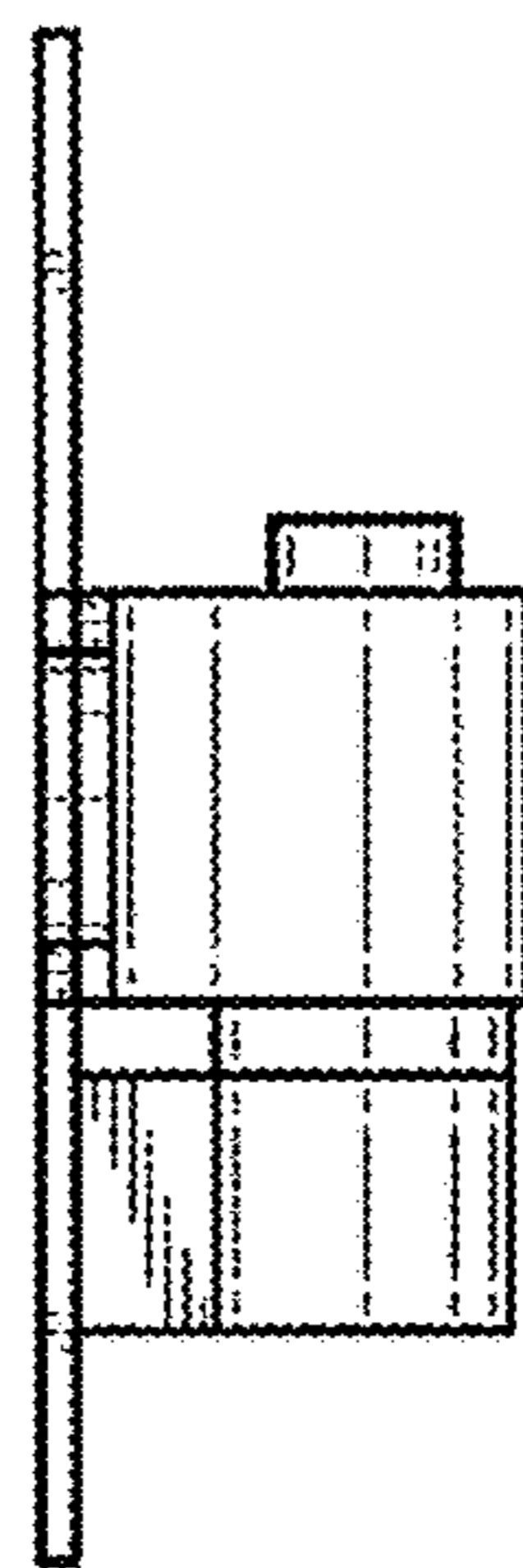


FIG. 4

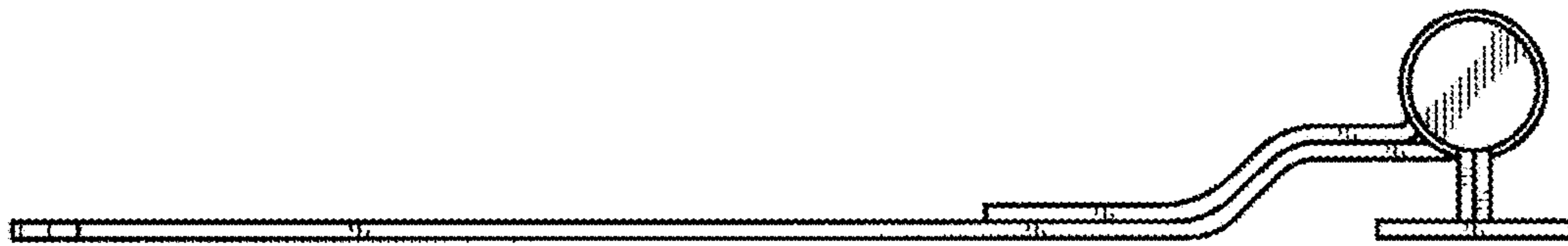


FIG. 5

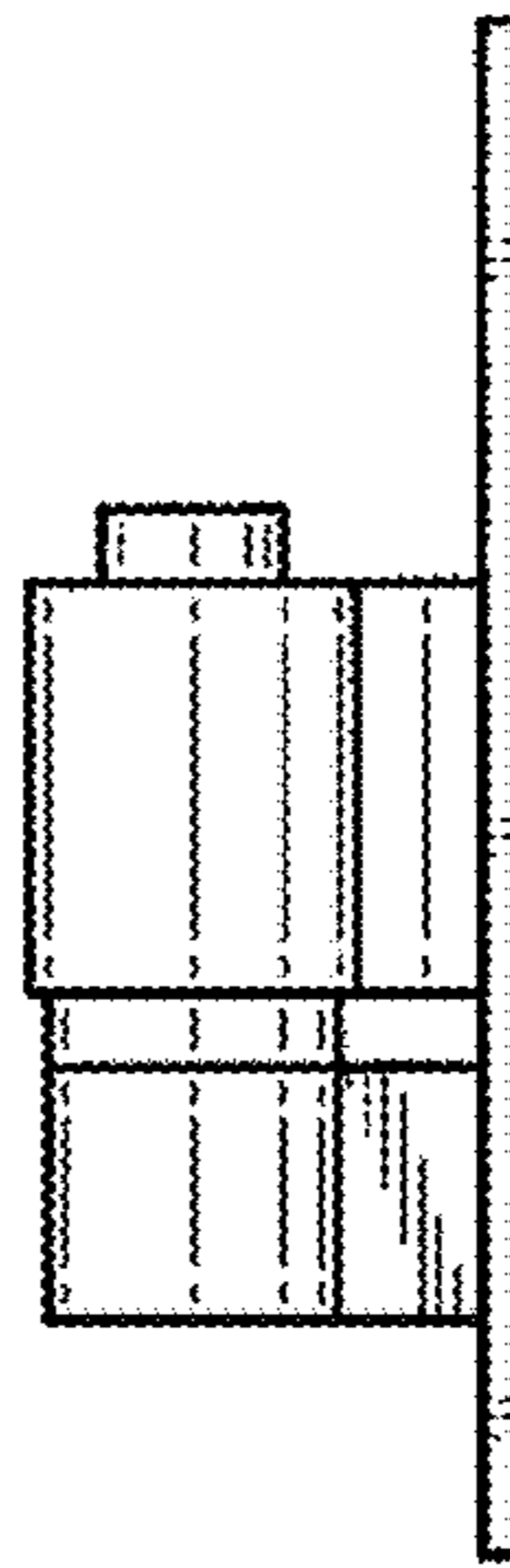


FIG. 6

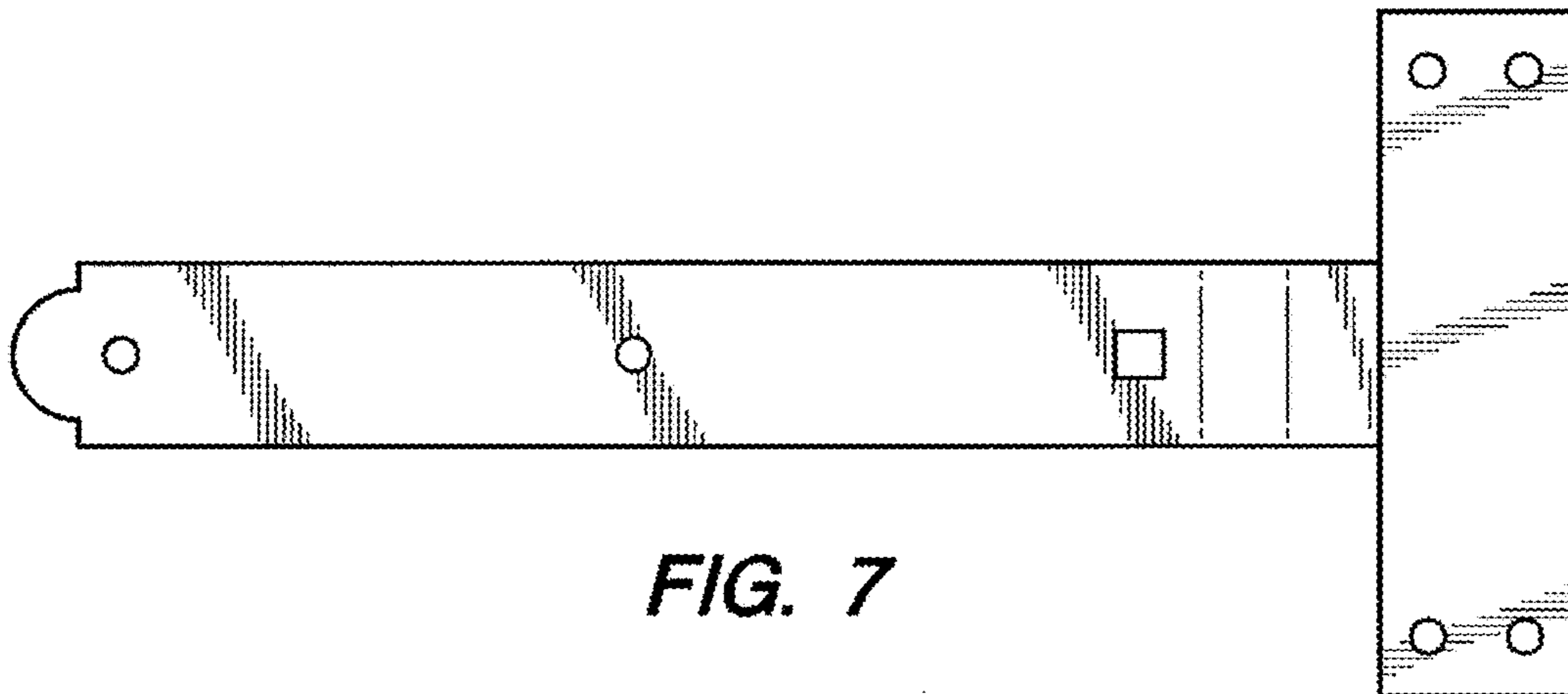


FIG. 7