



US00D862196S

(12) **United States Design Patent**  
**Glogovsky et al.**

(10) **Patent No.:** **US D862,196 S**

(45) **Date of Patent:** **\*\* Oct. 8, 2019**

(54) **SECURITY SAFETY HINGE**

(71) Applicant: **Alpha Guardian**, Las Vegas, NV (US)

(72) Inventors: **Rich Glogovsky**, Libertyville, IL (US);  
**Ryan Lundberg**, Park Ridge, IL (US);  
**John F. Hetzel**, Vernon Hills, IL (US)

(73) Assignee: **Alpha Guardian**, Las Vegas, NV (US)

(\*\*) Term: **15 Years**

(21) Appl. No.: **29/634,070**

(22) Filed: **Jan. 18, 2018**

(51) **LOC (12) Cl.** ..... **08-06**

(52) **U.S. Cl.**  
USPC ..... **D8/323**

(58) **Field of Classification Search**  
USPC ..... D8/323, 327, 328, 329  
CPC ..... E05D 5/12; E05D 51/02; E05D 11/082;  
B64G 1/222

See application file for complete search history.

(56) **References Cited**

**U.S. PATENT DOCUMENTS**

1,009,108	A *	11/1911	Soss	.....	E05D 3/12
					16/366
2,566,872	A *	9/1951	Bernhardt	.....	E05D 5/128
					16/250
2,709,276	A	5/1955	Stein		
3,249,074	A	5/1966	Deaton		
3,972,090	A *	8/1976	Holmes	.....	E05D 11/1014
					16/321
4,881,298	A *	11/1989	Turnbull	.....	E05D 5/062
					16/266
D344,966	S *	3/1994	Friedman	.....	D16/136
D370,284	S *	5/1996	Farchione	.....	D12/114
D373,902	S *	9/1996	Wang	.....	D3/318
D374,391	S *	10/1996	Mele	.....	D8/323
5,931,104	A	8/1999	Horn et al.		
5,971,515	A	10/1999	Baker et al.		
6,000,348	A	12/1999	Do		

6,293,207	B1	9/2001	Do		
D499,976	S *	12/2004	Neufeglise	.....	D10/114.4
D520,337	S *	5/2006	Alvarado	.....	D8/323
7,159,767	B2	1/2007	McCracken et al.		

(Continued)

*Primary Examiner* — Cynthia R Underwood  
(74) *Attorney, Agent, or Firm* — Woodard, Emhardt,  
Henry, Reeves & Wagner, LLP; Charles Meyer

(57) **CLAIM**

The ornamental design for a security safety hinge, as shown and described.

**DESCRIPTION**

FIG. 1 is a perspective of a security safety hinge shown in the environment in which it is associated

FIG. 2 is an enlarged view of a portion of FIG. 1 showing the security safety hinge in its environment.

FIG. 3 is a perspective view of the security safety hinge in the closed position.

FIG. 4 is an exploded view of the security safety hinge in the open, position.

FIG. 5 is a perspective view of the security safety hinge in the open position.

FIG. 6 is a top view of the security safety hinge in a closed position.

FIG. 7 is a top view of the security safety hinge in an open position.

FIG. 8 is a front view of the security safety hinge in a closed position.

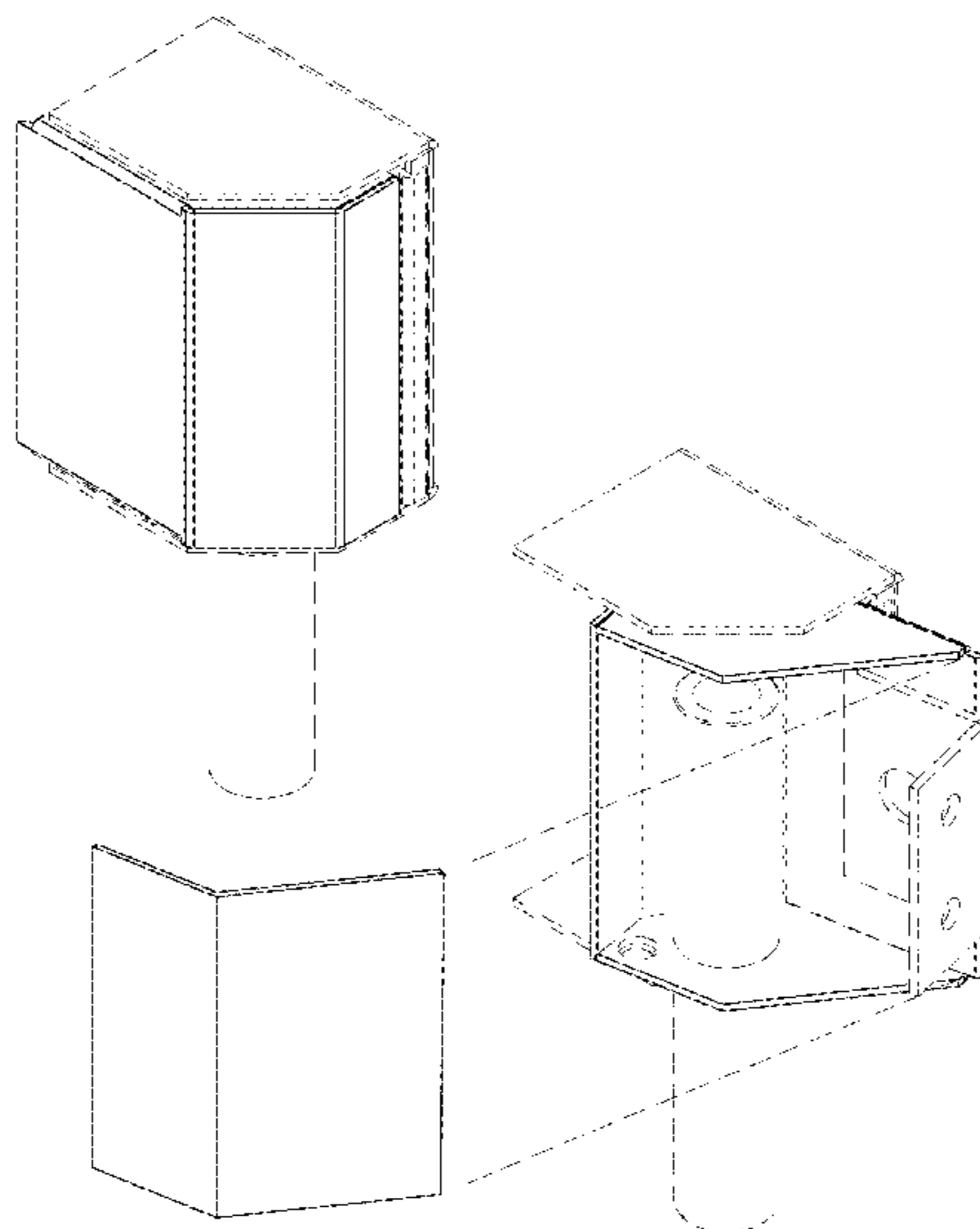
FIG. 9 is a front view of the security safety hinge in an open position.

FIG. 10 is a side view of the security safety hinge in a closed position; and,

FIG. 11 is a side view of the security safety hinge in an-open position.

The environment shown in broken lines is for the purpose of illustration and forms no part of the claimed design.

**1 Claim, 5 Drawing Sheets**



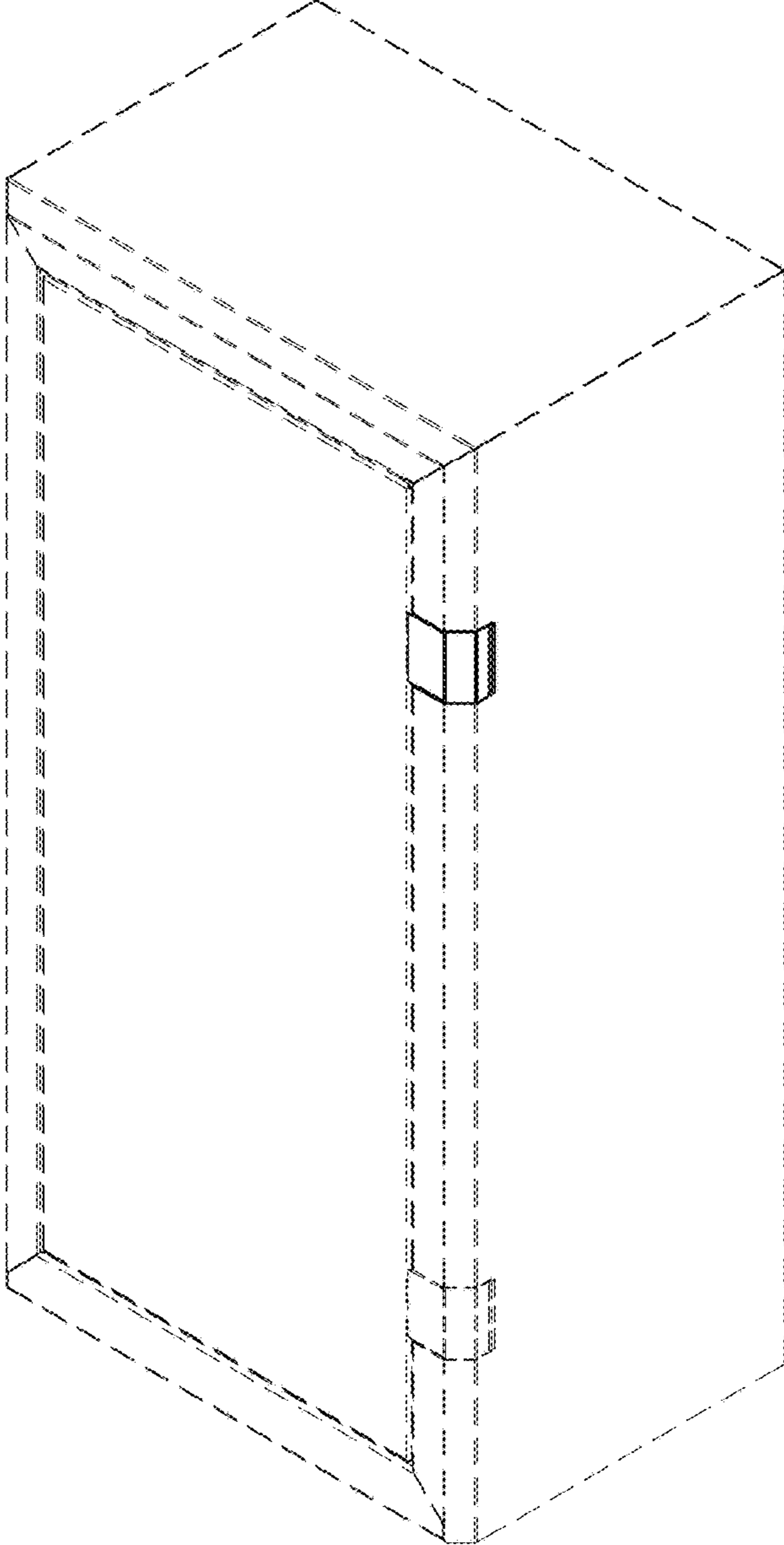
(56)

References Cited

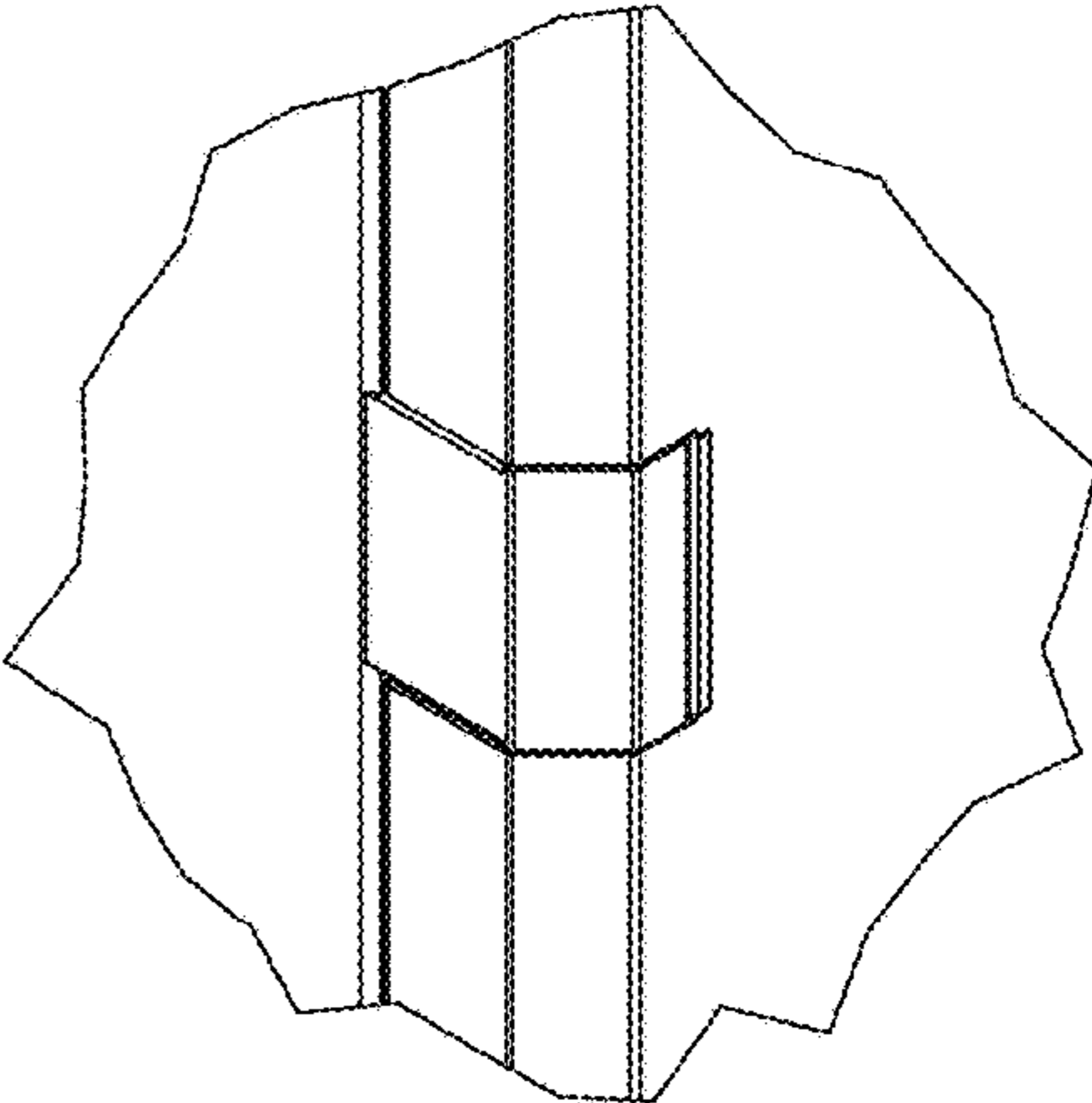
U.S. PATENT DOCUMENTS

D548,044	S *	8/2007	Tang .....	D8/323
7,350,470	B1	4/2008	Stuhlberg et al.	
7,404,363	B2	7/2008	Dunstan	
7,641,106	B1	1/2010	Kovacs et al.	
D611,544	S *	3/2010	Liptan .....	D19/88
D616,286	S *	5/2010	Foresman .....	D8/354
7,793,600	B2	9/2010	Dunstan	
7,836,555	B2	11/2010	Wildman	
8,443,738	B2	5/2013	James et al.	
D725,988	S *	4/2015	Smalley .....	D8/323
9,140,049	B2	9/2015	Suggs	
9,315,139	B2 *	4/2016	Hyslop .....	B60P 3/1066
D758,828	S *	6/2016	Corpuz, Jr. ....	D8/323
D768,461	S *	10/2016	Mirick .....	D8/323
D784,113	S *	4/2017	Rago .....	D8/354
D784,114	S *	4/2017	Rago .....	D8/354
9,732,549	B2	8/2017	Chow	
D808,244	S *	1/2018	Fraijo .....	D8/327
D809,894	S *	2/2018	Schweiss .....	D8/323
D811,195	S *	2/2018	Wang .....	D8/323
D817,146	S *	5/2018	Weldon .....	D8/323
D837,028	S *	1/2019	Schweiss .....	D8/323
2008/0265543	A1 *	10/2008	Davis .....	B60P 3/1066 280/414.1
2015/0366344	A1	12/2015	Suggs	
2016/0369542	A1	12/2016	Bacchetti	
2017/0321462	A1	11/2017	Mac Donald	

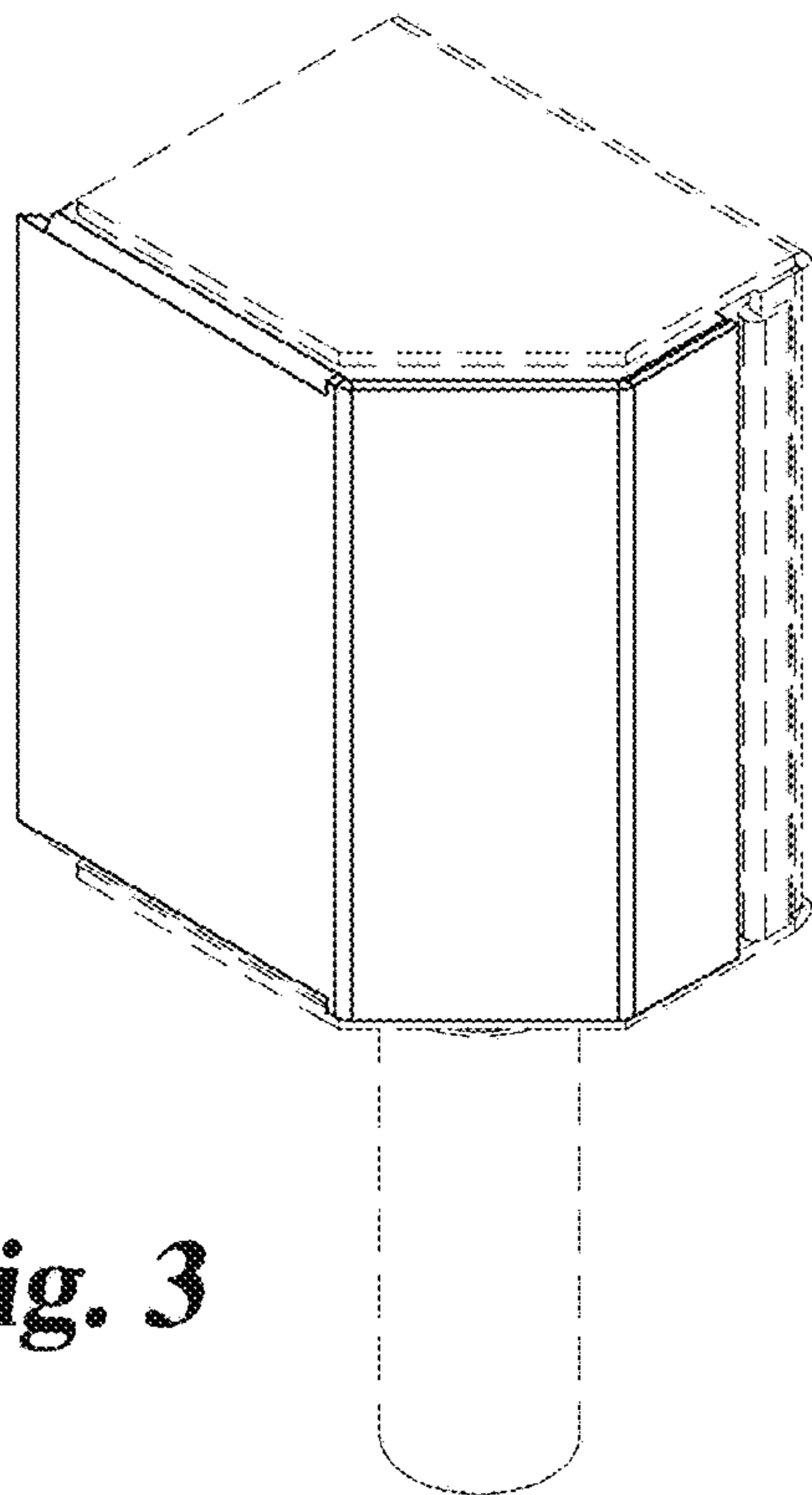
\* cited by examiner



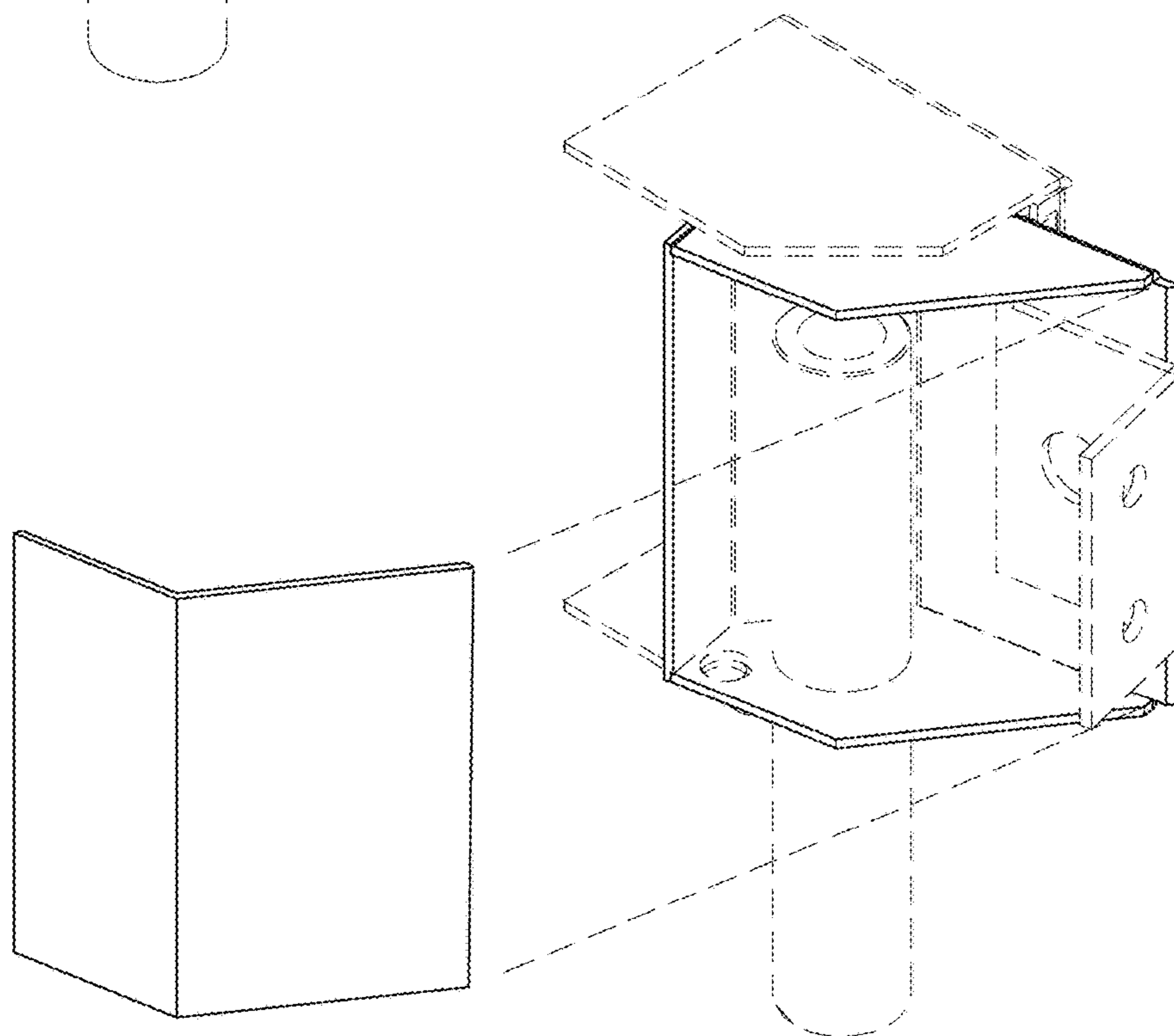
**Fig. 1**



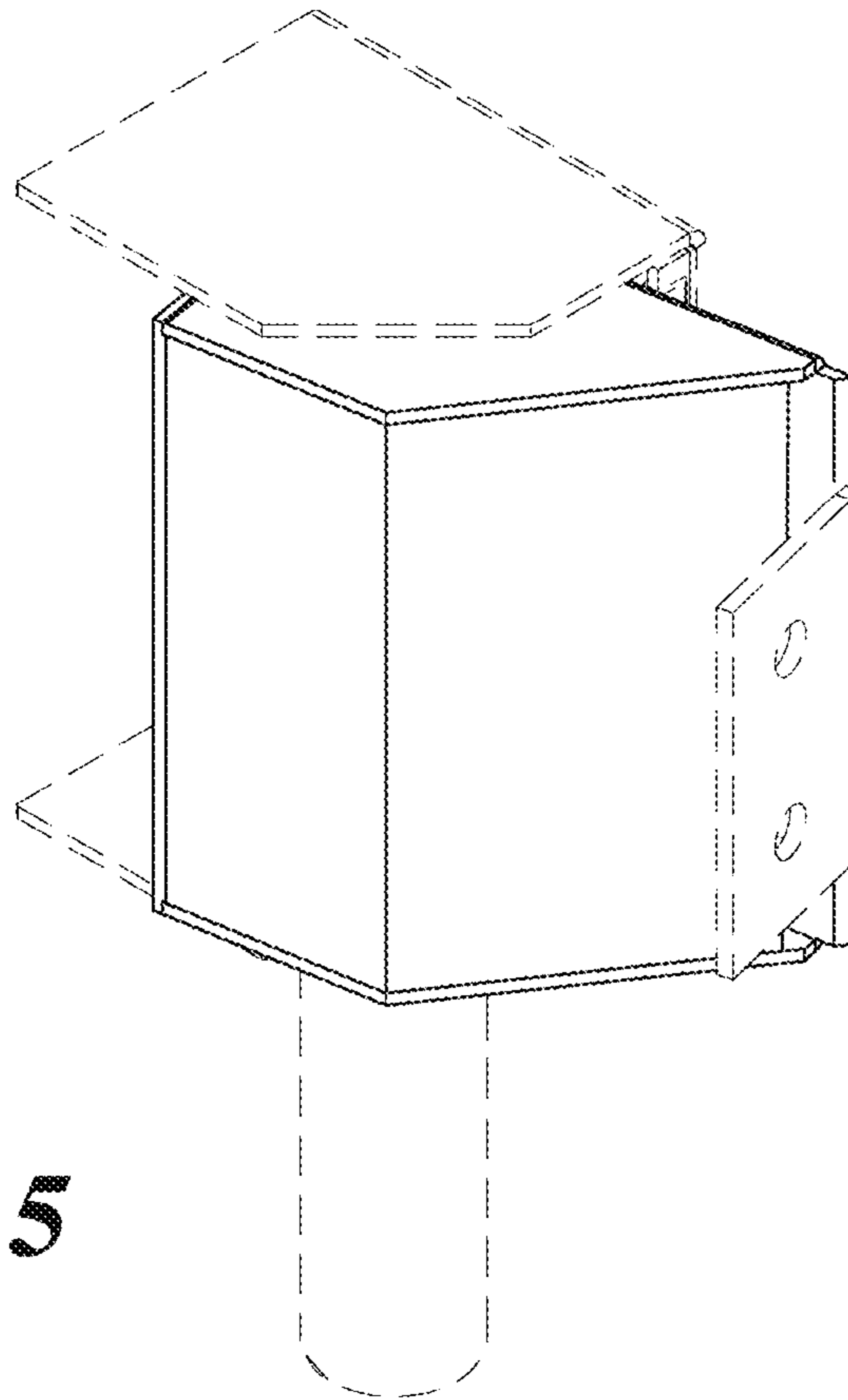
**Fig. 2**



**Fig. 3**

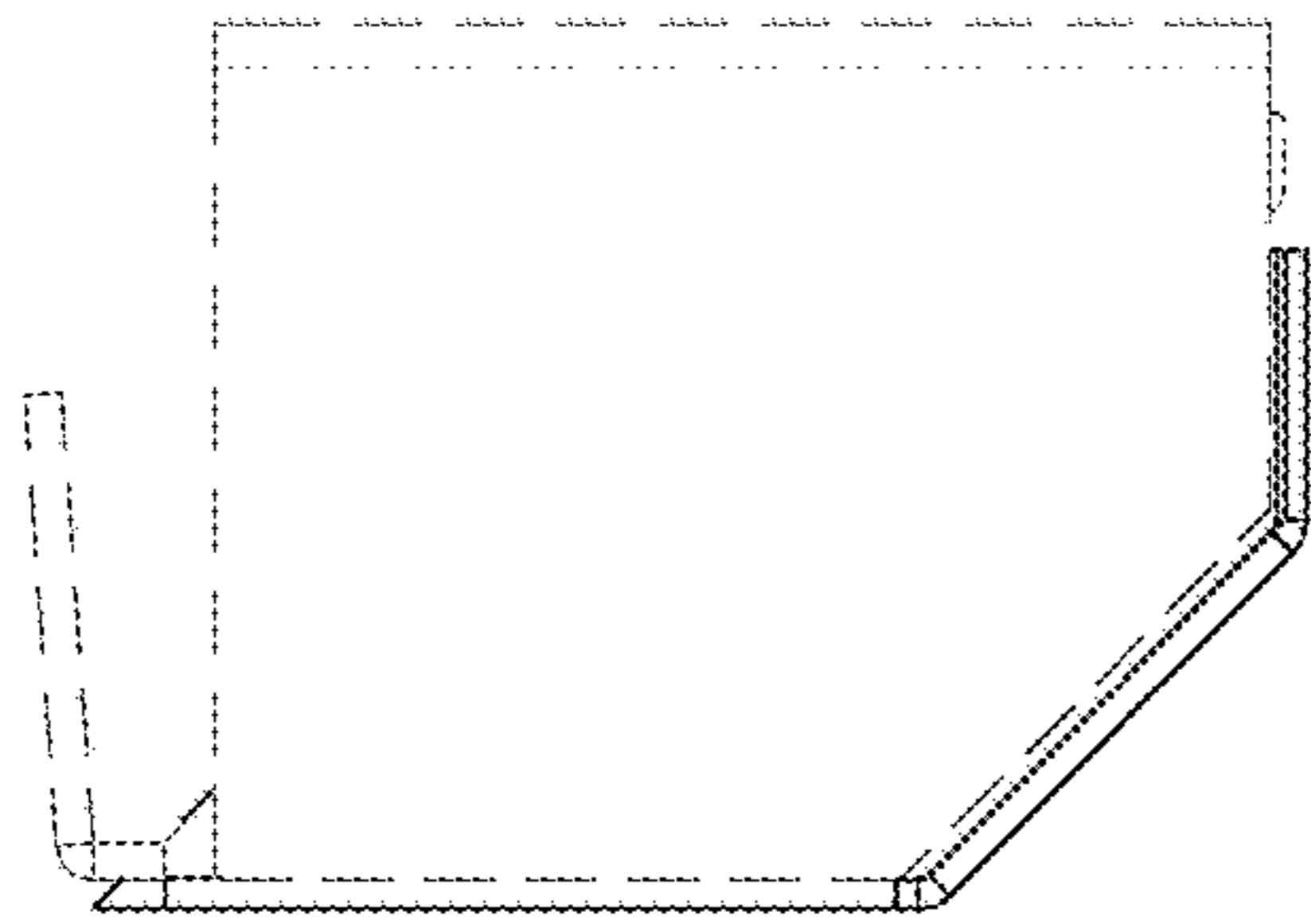


**Fig. 4**

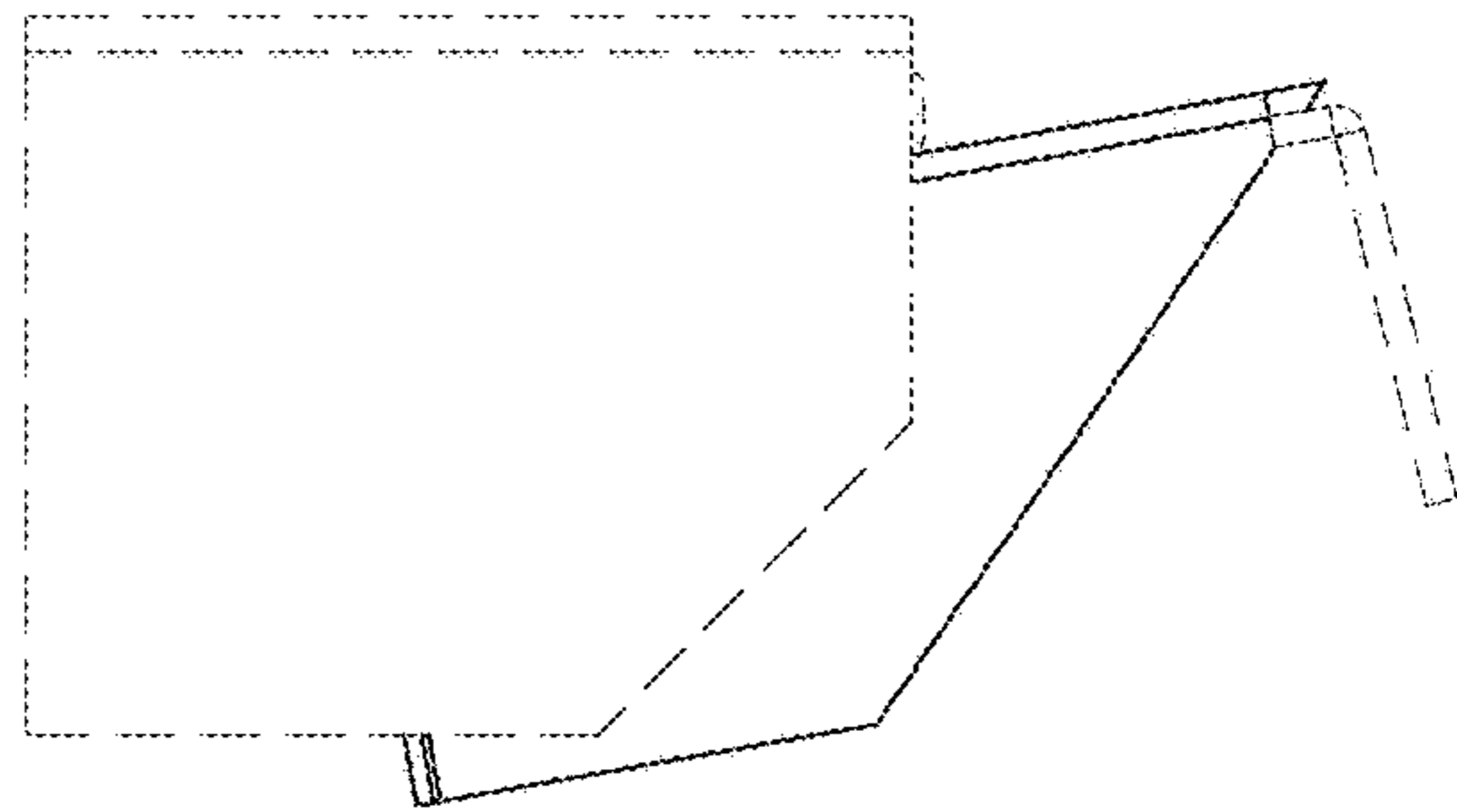


**Fig. 5**

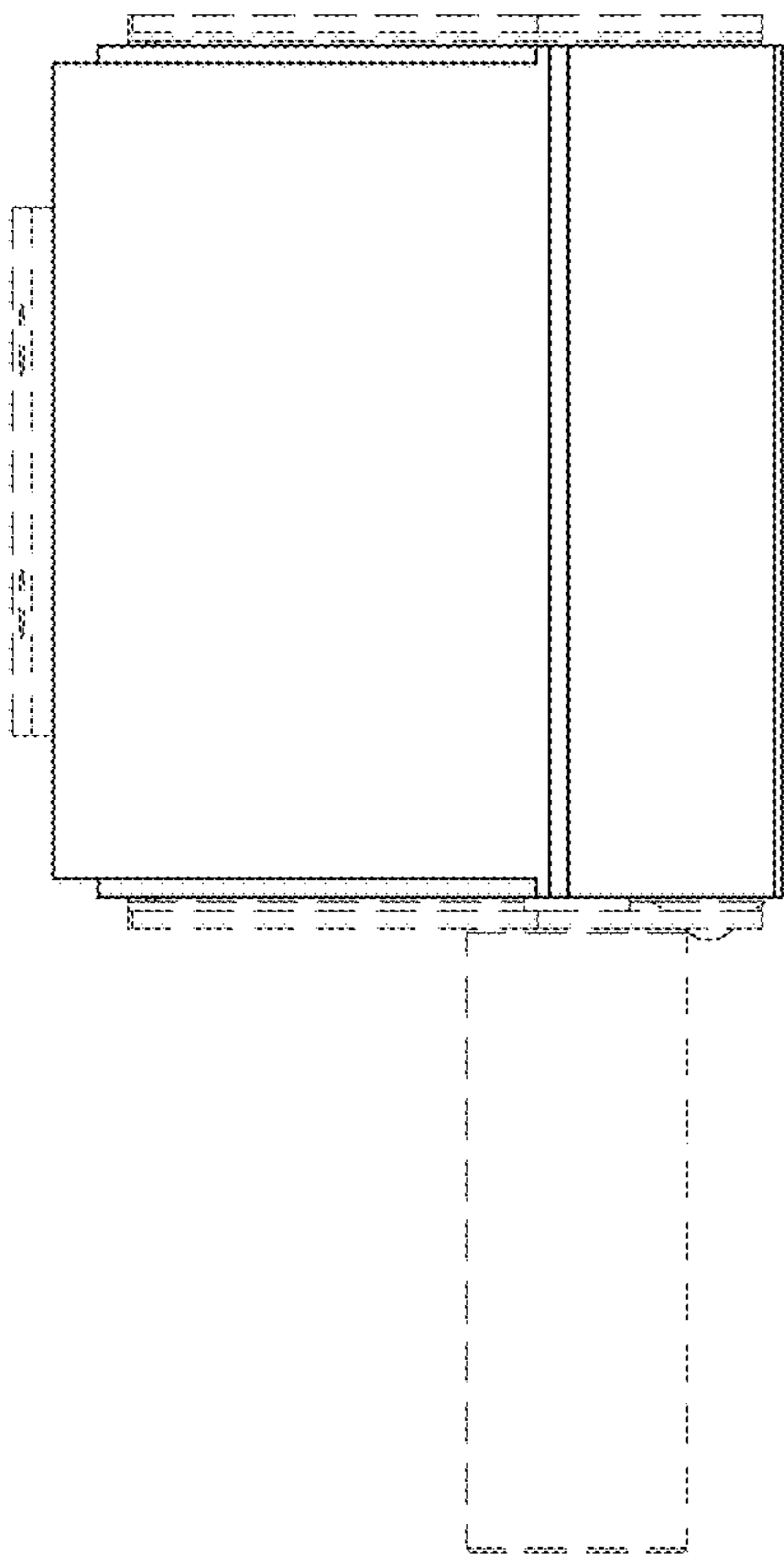




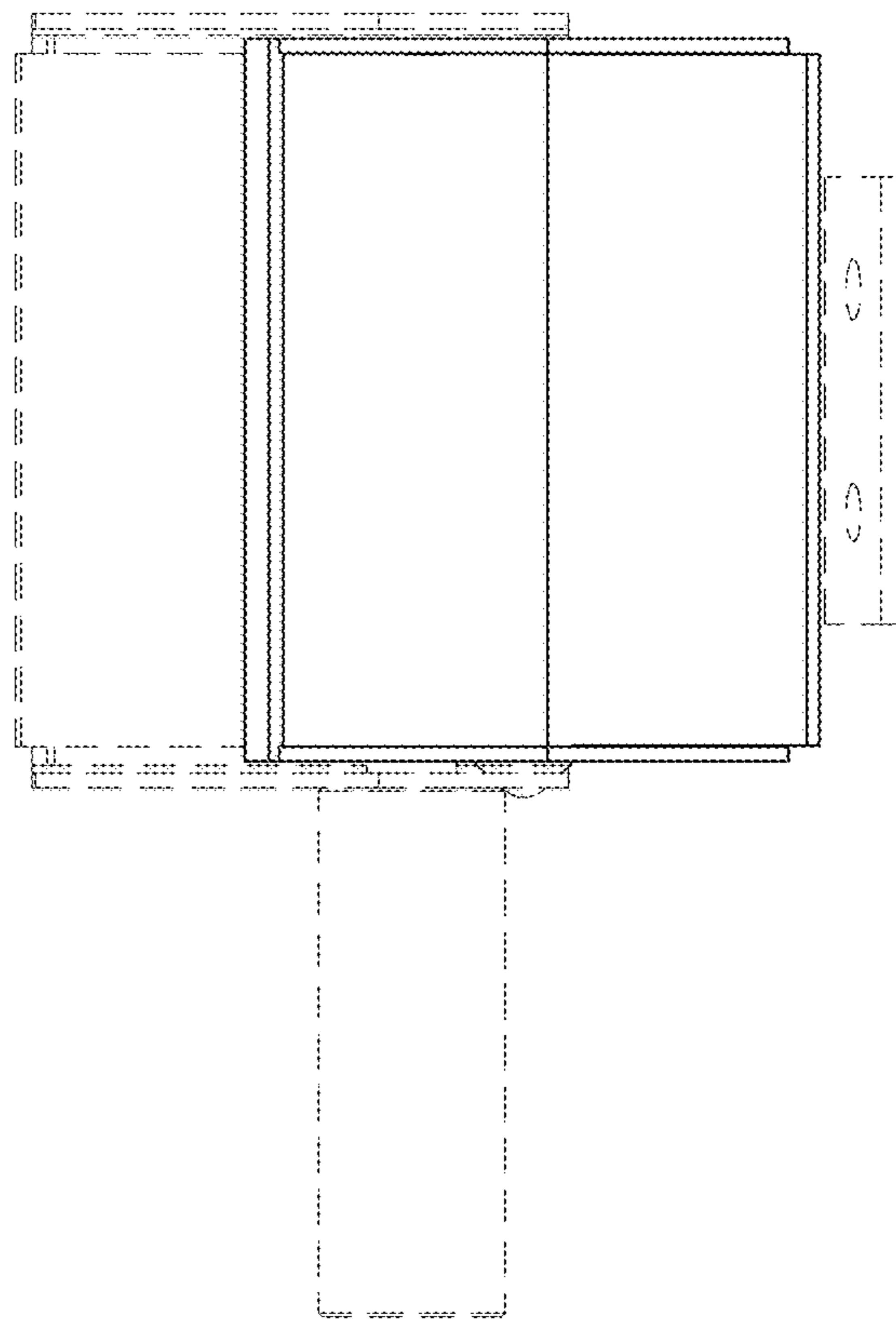
**Fig. 6**



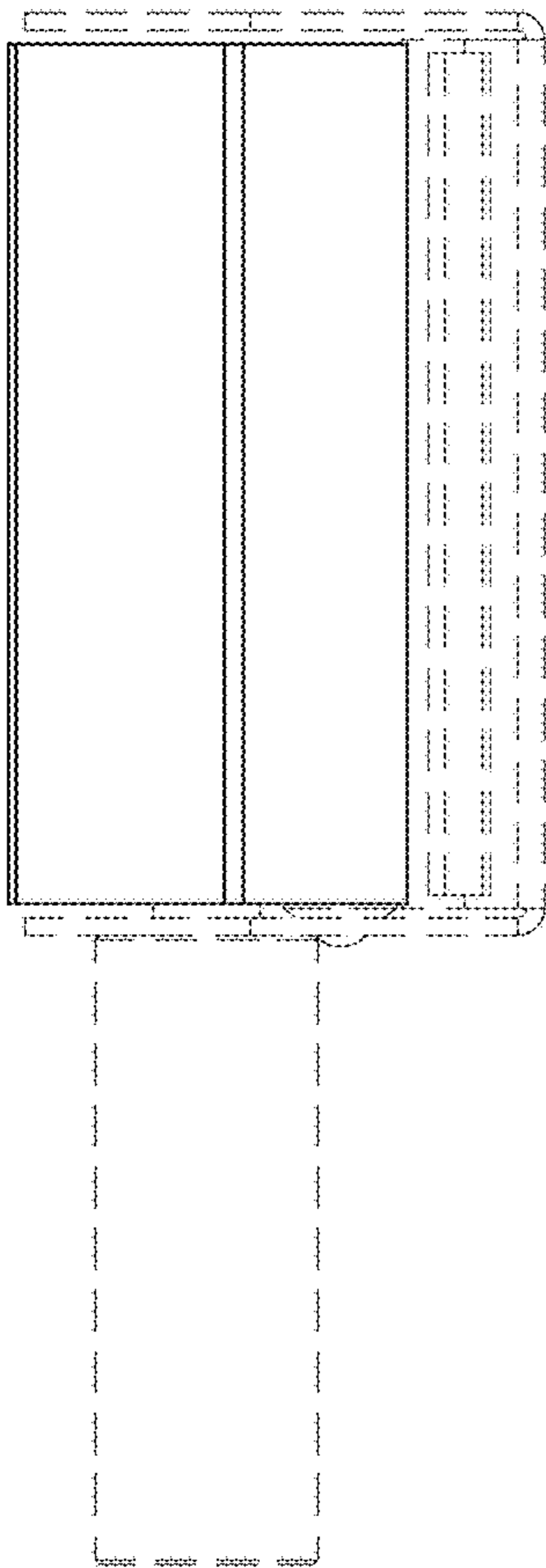
**Fig. 7**



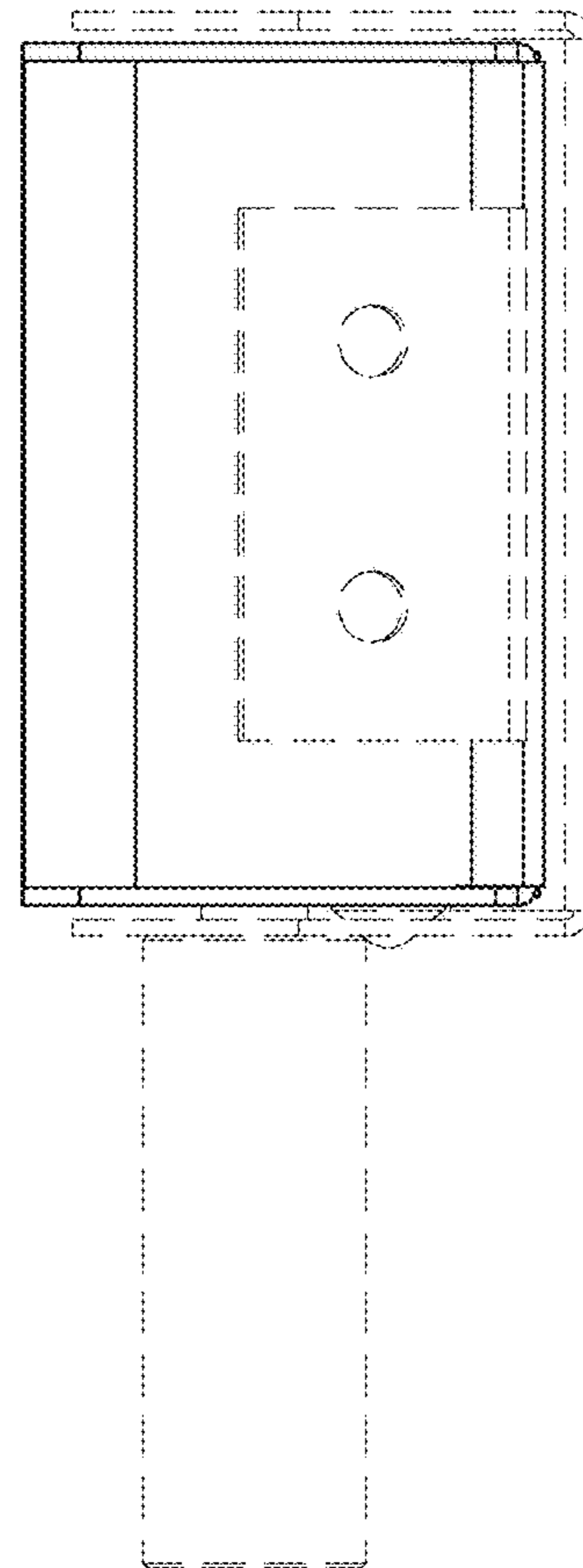
**Fig. 8**



**Fig. 9**



**Fig. 10**



**Fig. 11**