



US00D862195S

(12) **United States Design Patent**
Dulley et al.

(10) **Patent No.:** **US D862,195 S**
(45) **Date of Patent:** **** Oct. 8, 2019**

(54) **HANDLE**

(71) Applicant: **Buster and Punch Limited**, London (GB)

(72) Inventors: **Iain Donald Dulley**, Hants (GB);
Christopher Arthur Cooper, London (GB); **Massimo Buster Minale**, London (GB)

(73) Assignee: **Buster and Punch Limited**, Stamford (GB)

(**) Term: **15 Years**

(21) Appl. No.: **29/660,764**

(22) Filed: **Aug. 22, 2018**

Related U.S. Application Data

(62) Division of application No. 29/583,171, filed on Nov. 2, 2016, now Pat. No. Des. 829,076.

(30) **Foreign Application Priority Data**

May 12, 2016 (EM) 003124122-0001
May 12, 2016 (EM) 003124122-0002
May 12, 2016 (EM) 003124122-0003
May 12, 2016 (EM) 003124122-0004

(51) **LOC (12) Cl.** **08-06**

(52) **U.S. Cl.**
USPC **D8/308**

(58) **Field of Classification Search**
USPC D8/300-302, 307-309; D23/250, 252; D7/393
CPC Y10T 16/44; Y10T 74/20612; Y10T 74/20732; Y10T 16/458; Y10T 16/498; Y10T 16/469; Y10T 16/476; Y10T 74/20744; Y10T 74/20864; Y10T 16/4628; Y10T 74/20642; Y10T 16/473; Y10T 74/20762; Y10T 74/2042; Y10T 74/20828; Y10T 16/459; Y10T 16/4713;

Y10T 74/2014; Y10T 16/50; Y10T 74/20438; Y10T 74/20582; Y10T 74/20738; Y10T 16/48; Y10T 74/20618; Y10T 74/20684; Y10T 74/20624; Y10T 74/20468; Y10T 16/61; Y10T 16/4719; Y10T 16/86; Y10S 16/30; Y10S 292/31; Y10S 292/53; Y10S 16/12; Y10S 292/23; Y10S 292/27; Y10S 292/30; Y10S 292/63; E05B 85/16; E05B 1/0015; E05B 77/06; E05B 79/06; E05B 85/18; E05B 85/12; E05B 85/10; E05B 7/00; E05B 1/0053; E05B 77/265

See application file for complete search history.

(56) **References Cited**

U.S. PATENT DOCUMENTS

4,087,187 A 5/1978 Asaro
4,373,405 A 2/1983 Geil

(Continued)

Primary Examiner — Lauren R Calve

(74) *Attorney, Agent, or Firm* — Dascenzo Intellectual Property Law, P.C.; David S. D'Ascenzo

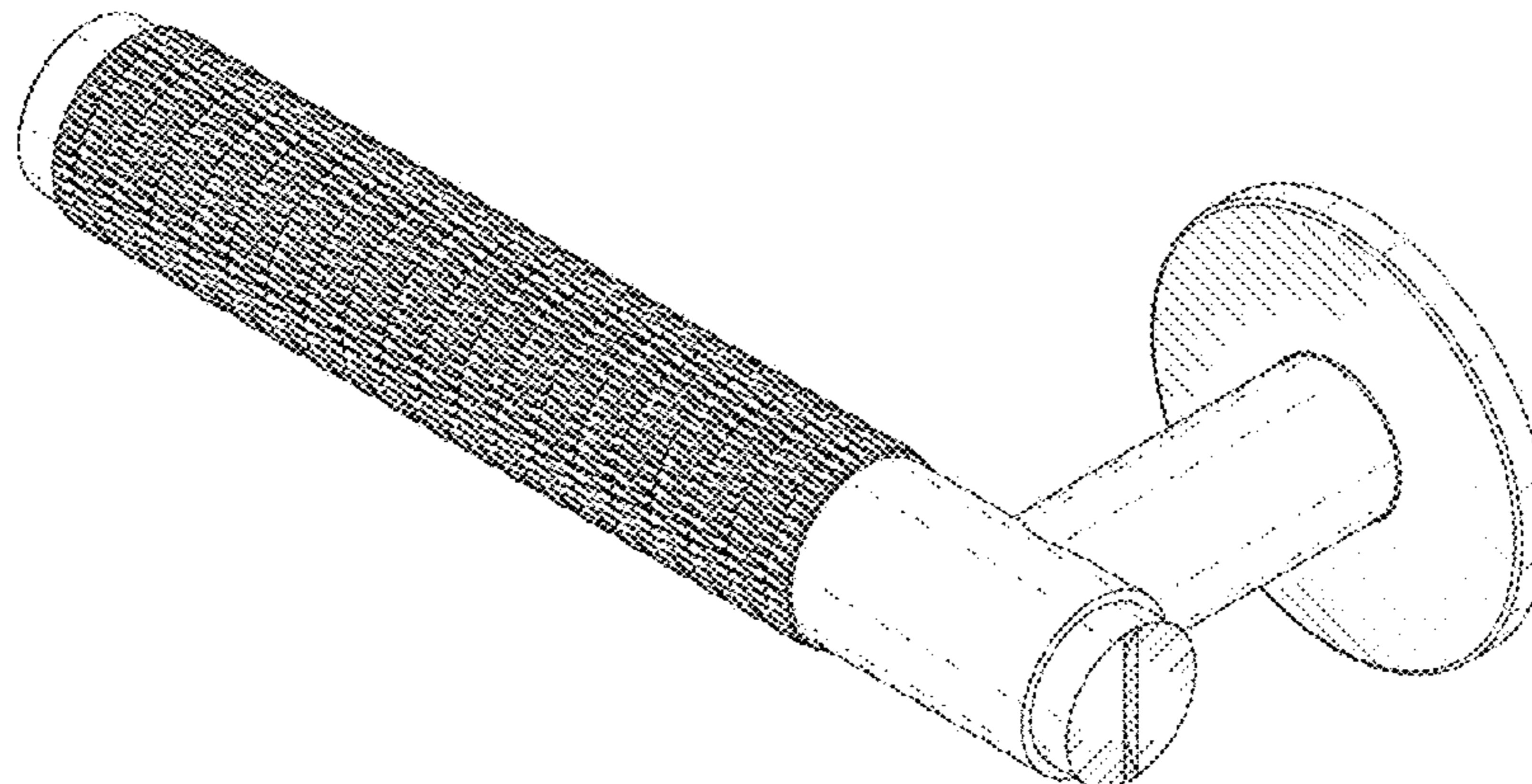
(57) **CLAIM**

The ornamental design for a handle, as shown and described.

DESCRIPTION

FIG. 1 is an isometric view of a handle showing a design according to the present disclosure.
FIG. 2 is an end view of the handle.
FIG. 3 is a side view of the handle.
FIG. 4 is a second side view of the handle; and,
FIG. 5 is an opposite side view of FIG. 4 of the handle.
The shade lines shown in the drawings represent contour shading and not surface ornamentation. The opposite end view not shown forms no part of the claimed design.
The broken lines shown form no part of the claimed design.

1 Claim, 5 Drawing Sheets



(56)

References Cited

U.S. PATENT DOCUMENTS

D291,053	S	7/1987	Decursu	
D299,109	S *	12/1988	Jans	D23/252
D398,214	S	9/1998	Yui	
D405,743	S	2/1999	Hussaini	
D438,775	S *	3/2001	Magnusson	D8/308
D445,735	S	7/2001	Sheu	
D475,270	S	6/2003	Lloyd et al.	
D489,602	S	5/2004	Menta	
D500,241	S	12/2004	Choi	
D504,309	S *	4/2005	Fuchs	D6/523
D511,290	S	11/2005	Coudurier	
D513,237	S	12/2005	Langner et al.	
D514,420	S	2/2006	Xu	
D569,219	S	5/2008	Sjögren	
D619,872	S *	7/2010	Singtoroj	D8/308
D627,441	S *	11/2010	Sedwick	D23/252
D737,652	S *	9/2015	Harden	D8/302
D738,468	S *	9/2015	Bahler	D23/242
D758,825	S	6/2016	Nesbitt	
D781,126	S	3/2017	Pionek et al.	
D788,566	S *	6/2017	Wang	D8/308
D794,884	S	8/2017	Ayers	
D801,289	S	10/2017	Minale et al.	
D829,076	S *	9/2018	Dulley	D8/310
D829,866	S *	10/2018	Kirar	D23/252
D830,521	S *	10/2018	Kirar	D23/252
D838,572	S *	1/2019	Su	D8/301
2004/0245080	A1	12/2004	Turner	
2010/0019516	A1 *	1/2010	Williamson	E05B 1/003 292/336.3
2015/0331441	A1	11/2015	Ho et al.	
2016/0145895	A1 *	5/2016	Kankkunen	E05B 17/10 70/432

* cited by examiner

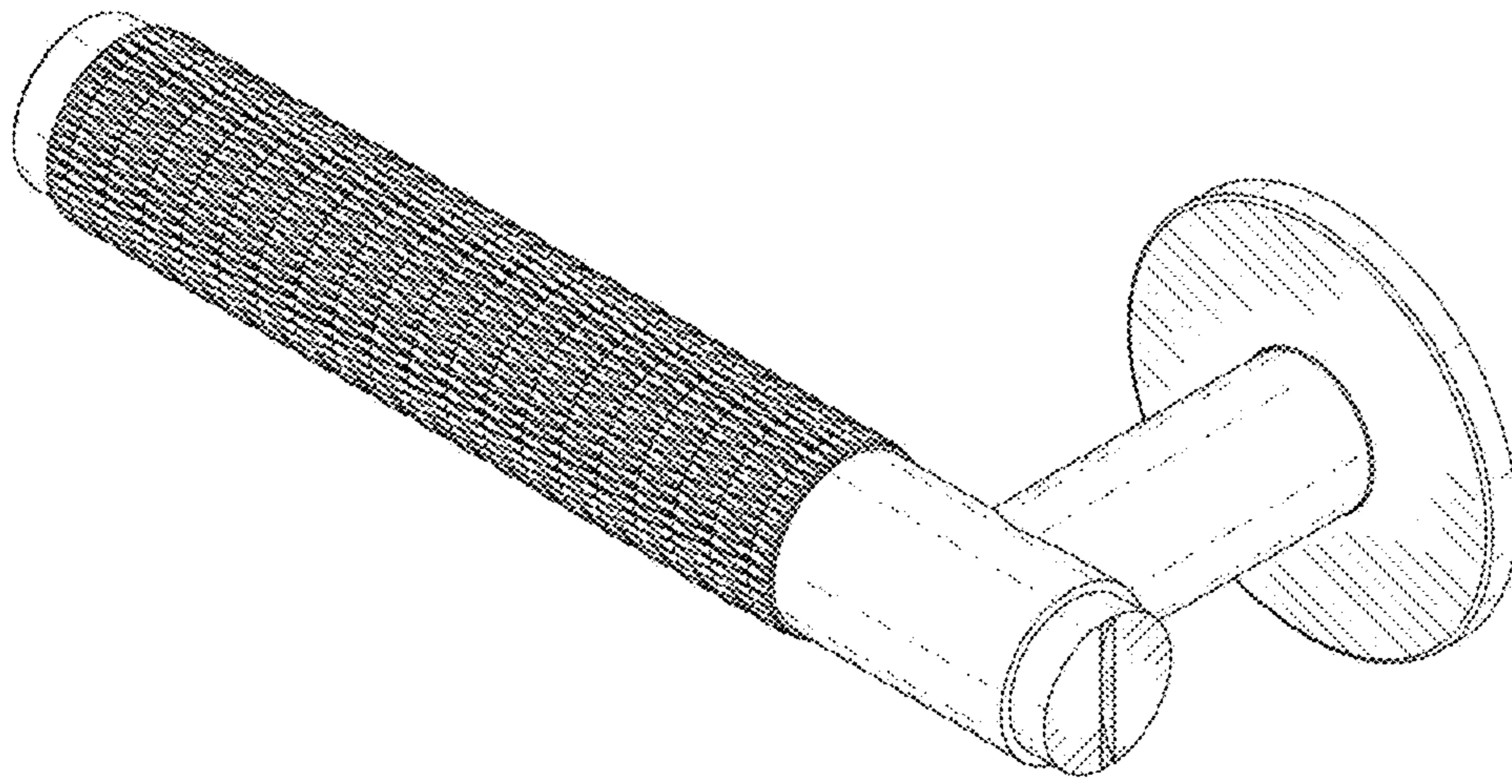


Fig. 1

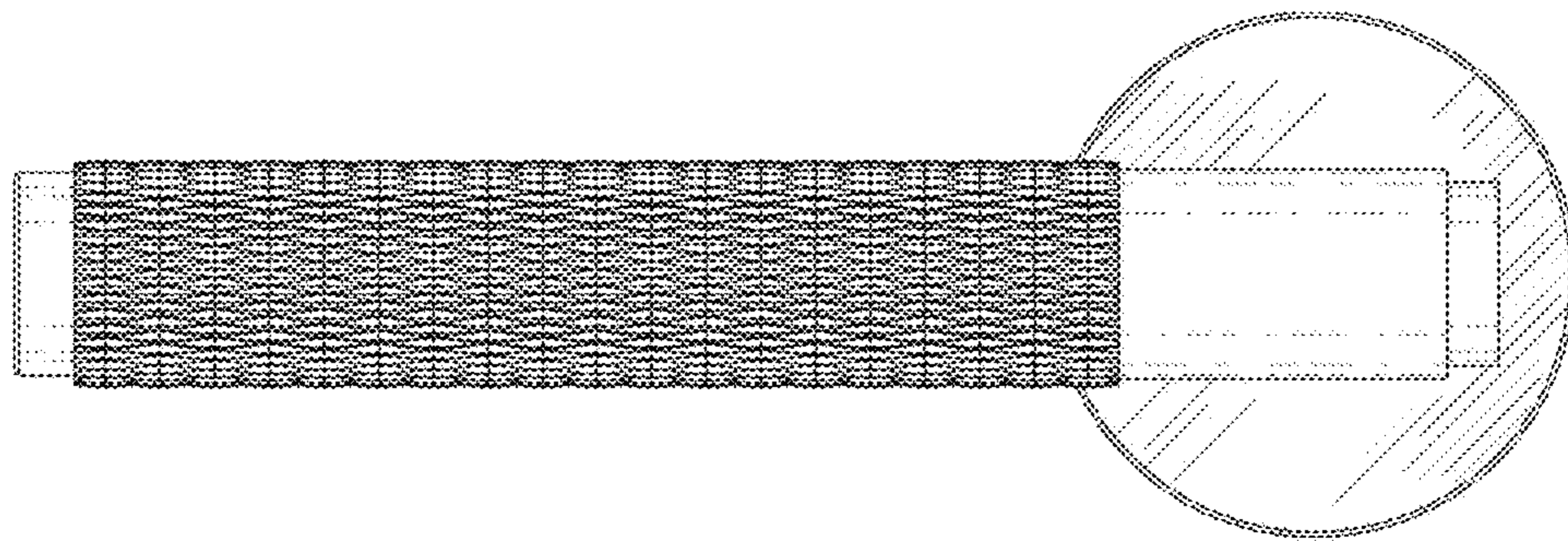


Fig. 2

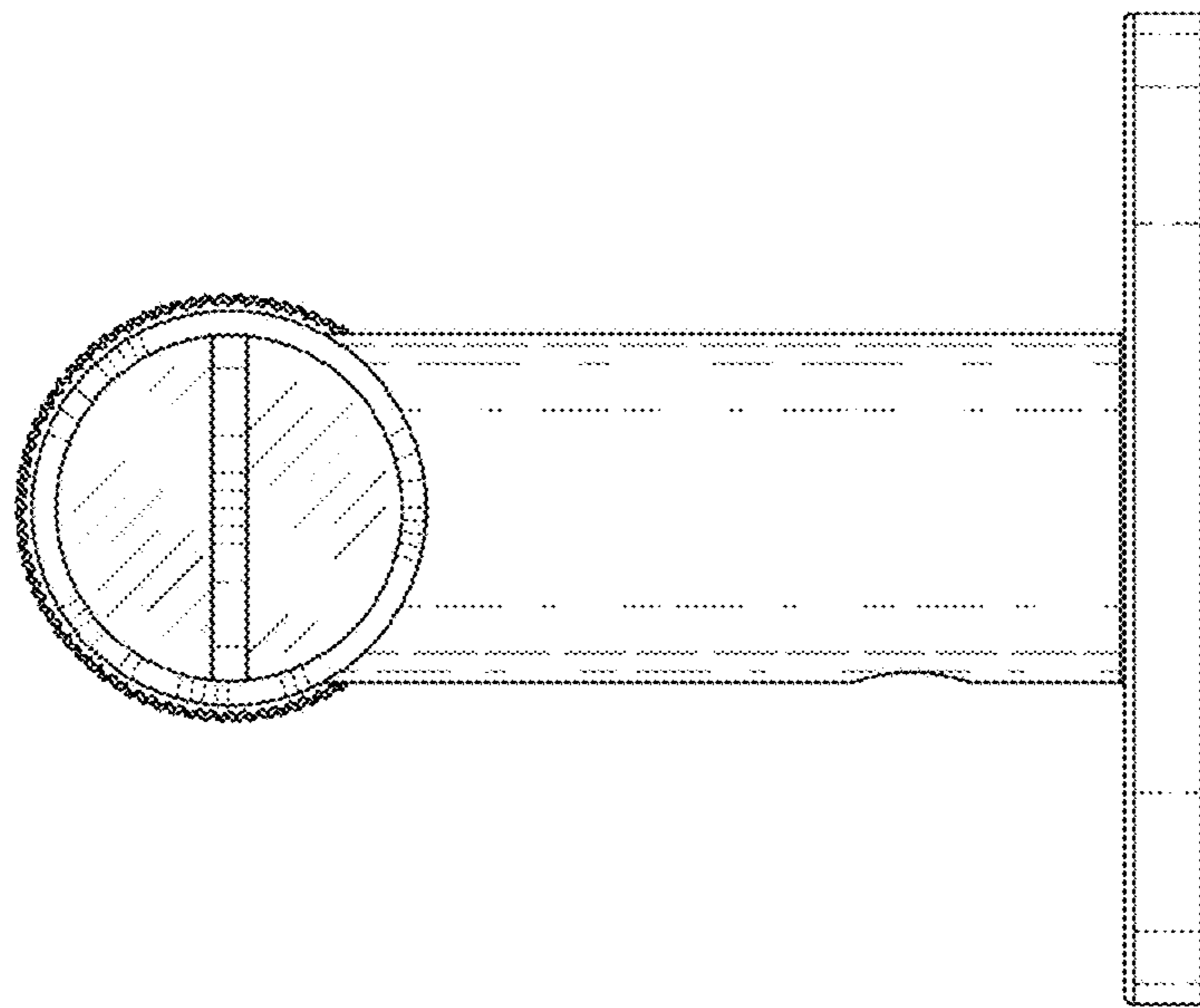


Fig. 3

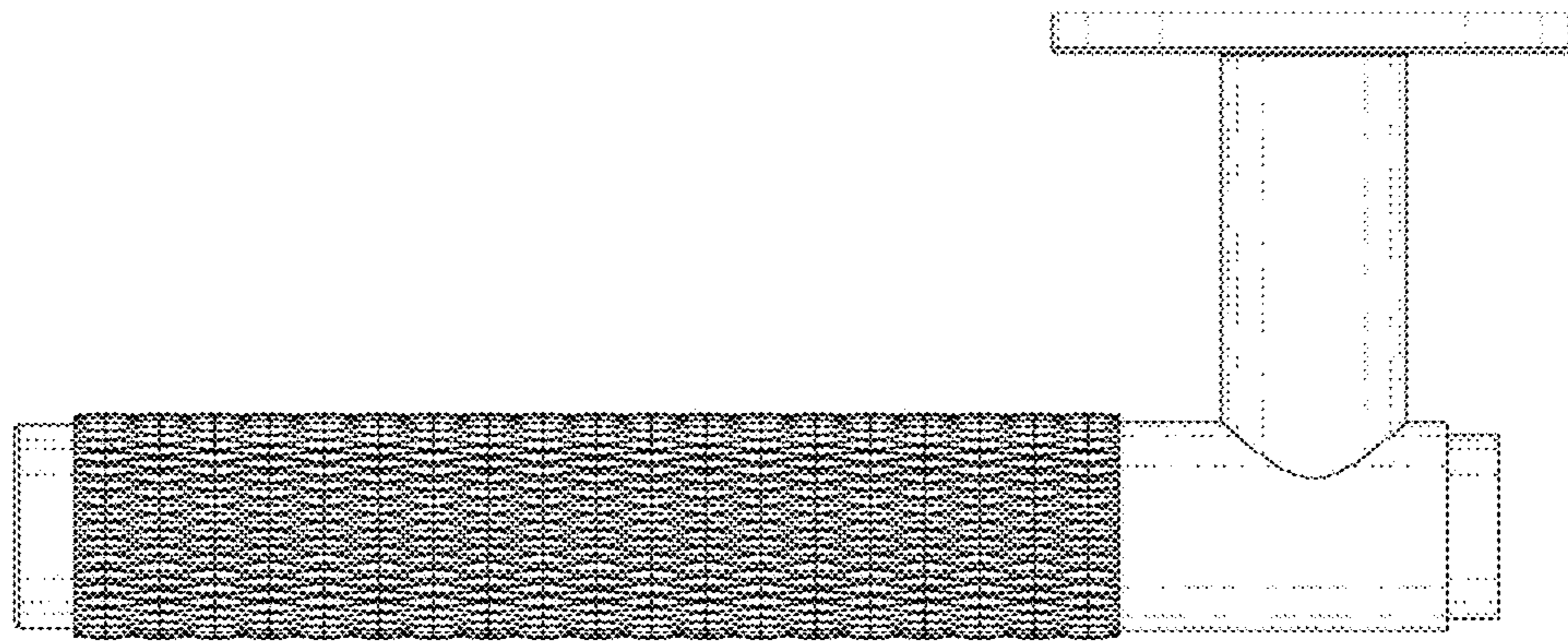


Fig. 4

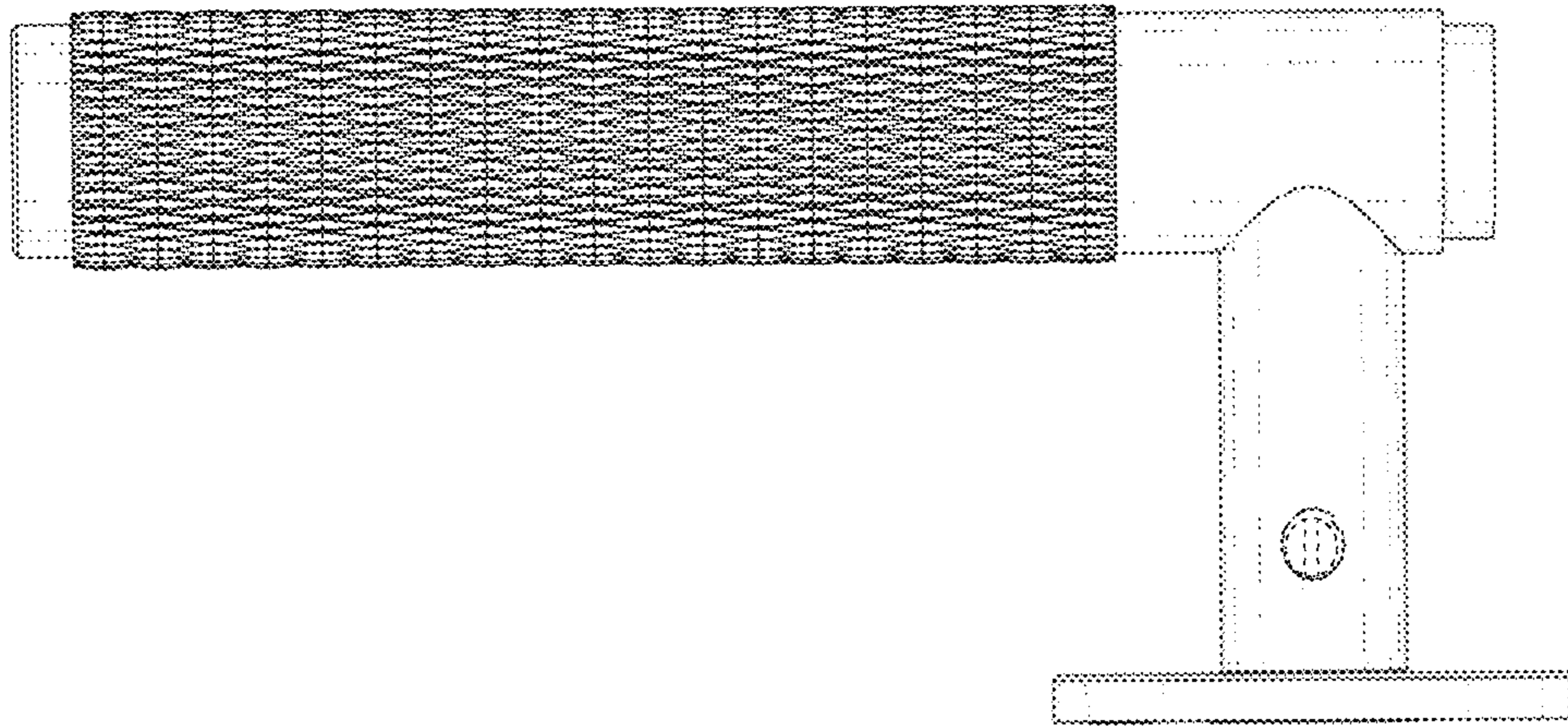


Fig. 5