

US00D862193S

(12) **United States Design Patent** (10) **Patent No.:** **US D862,193 S**
Beh (45) **Date of Patent:** **** Oct. 8, 2019**

(54) **SCREWDRIVER BIT**

(71) Applicant: **Wiha Werkzeuge GmbH**, Schonach (DE)

(72) Inventor: **Andreas Beh**, Bleibach (DE)

(73) Assignee: **Wiha Werkzeuge GmbH**, Schonach (DE)

(**) Term: **15 Years**

(21) Appl. No.: **29/613,317**

(22) Filed: **Aug. 9, 2017**

(30) **Foreign Application Priority Data**

Feb. 10, 2017	(EM)	003747740-0001
Feb. 10, 2017	(EM)	003747740-0002
Feb. 10, 2017	(EM)	003747740-0003
Feb. 10, 2017	(EM)	003747740-0004
Feb. 10, 2017	(EM)	003747740-0005
Feb. 10, 2017	(EM)	003747740-0008
Feb. 10, 2017	(EM)	003747740-0009
Feb. 10, 2017	(EM)	003747740-0010
Feb. 10, 2017	(EM)	003747740-0012

(Continued)

(51) **LOC (12) Cl.** **08-04**

(52) **U.S. Cl.**
USPC **D8/86**

(58) **Field of Classification Search**
USPC D8/82, 83, 84, 85, 86

(Continued)

(56) **References Cited**

U.S. PATENT DOCUMENTS

5,704,261	A *	1/1998	Strauch	B25B 15/001	81/436
5,953,969	A *	9/1999	Rosenhan	B25B 15/001	81/436

(Continued)

Primary Examiner — Philip S Hyder

(74) *Attorney, Agent, or Firm* — Volpe and Koenig, P.C.

(57) **CLAIM**

I claim the ornamental design for a screwdriver bit, as shown and described.

DESCRIPTION

FIG. 1 is a top, front, left perspective view of a first embodiment of a screwdriver bit in accordance with my design;

FIG. 2 is a front elevational view thereof, with the rear elevational view being identical thereto;

FIG. 3 is a left side elevational view thereof, with the right side elevational view being identical thereto;

FIG. 4 is a top plan view thereof; and

FIG. 5 is a bottom plan view thereof;

FIG. 6 is a top, front, left perspective view of a second embodiment of a screwdriver bit in accordance with my design;

FIG. 7 is a front elevational view thereof, with the rear elevational view being identical thereto;

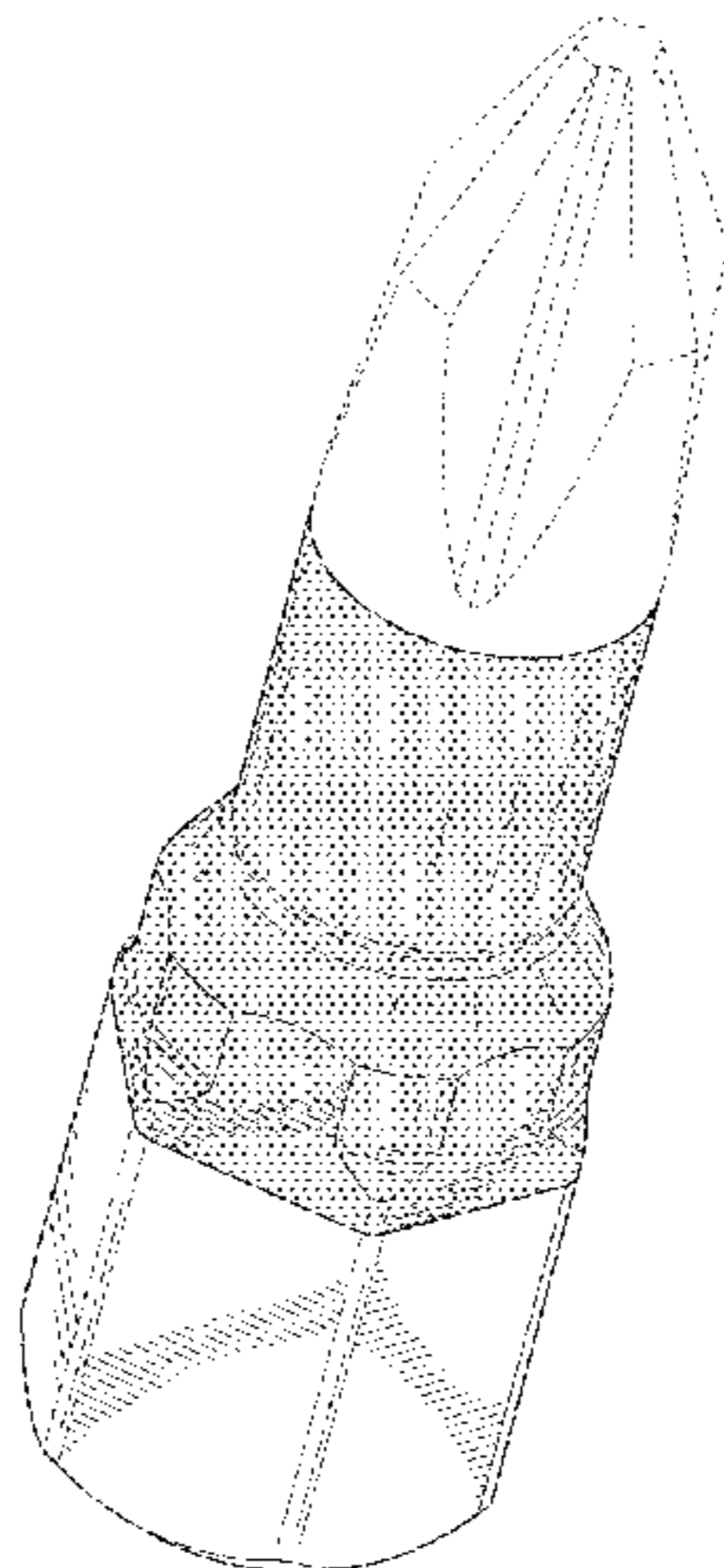
FIG. 8 is a left side elevational view, with the right side elevational view being identical thereto;

FIG. 9 is a top plan view thereof; and,

FIG. 10 is a bottom plan view thereof.

As indicated in the title, the article of manufacture to which the ornamental design has been applied is a screwdriver bit. The light stippling in FIGS. 1-5 represents a contrasting color to a remainder of the body of the article of manufacture. Additionally, the heavy stippling in FIGS. 6-10 represents a contrasting color to a remainder of the body of the article of manufacture as well as a visible light effect, glow, luminescence, or fluorescence, which is a part of the claimed design. Broken lines represent portions of the article which have been shown for illustrative purposes only and form no part of the claimed design.

1 Claim, 6 Drawing Sheets



(30) **Foreign Application Priority Data**

Feb. 10, 2017 (EM) 003747740-0013
 Feb. 10, 2017 (EM) 003747740-0016
 Feb. 10, 2017 (EM) 003747740-0017
 May 2, 2017 (EM) 003747740-0006
 May 2, 2017 (EM) 003747740-0007
 May 2, 2017 (EM) 003747740-0011
 May 2, 2017 (EM) 003747740-0014
 May 2, 2017 (EM) 003747740-0015
 May 2, 2017 (EM) 003747740-0018
 May 2, 2017 (EM) 003747740-0019

(58) **Field of Classification Search**

CPC ... B25B 15/001; B25B 15/002; B25B 15/004;
 B25B 15/005; B25B 15/007
 See application file for complete search history.

(56) **References Cited**

U.S. PATENT DOCUMENTS

D644,903 S * 9/2011 Chen D8/86
 D645,329 S * 9/2011 Hsu D8/86
 8,516,932 B2 * 8/2013 Wang B25B 15/005
 81/436
 D704,022 S * 5/2014 Hsu D8/86
 D725,984 S * 4/2015 Moss D8/86
 9,010,223 B2 * 4/2015 Huang B25B 15/005
 81/436
 D752,408 S * 3/2016 Moss D8/86
 2010/0307298 A1 * 12/2010 Lai B25B 15/002
 81/442
 2011/0197721 A1 * 8/2011 DeBaker B25B 15/002
 81/436

* cited by examiner

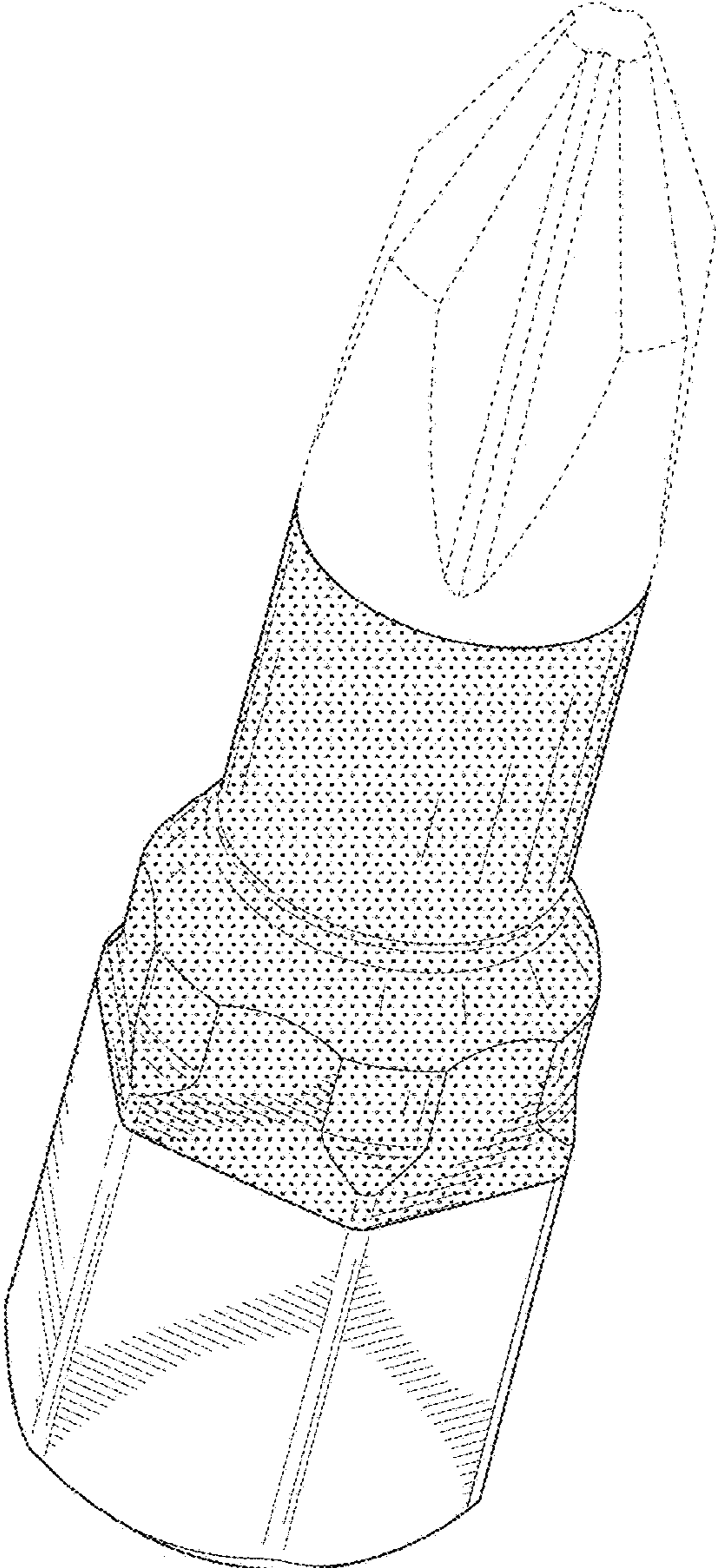


FIG. 1

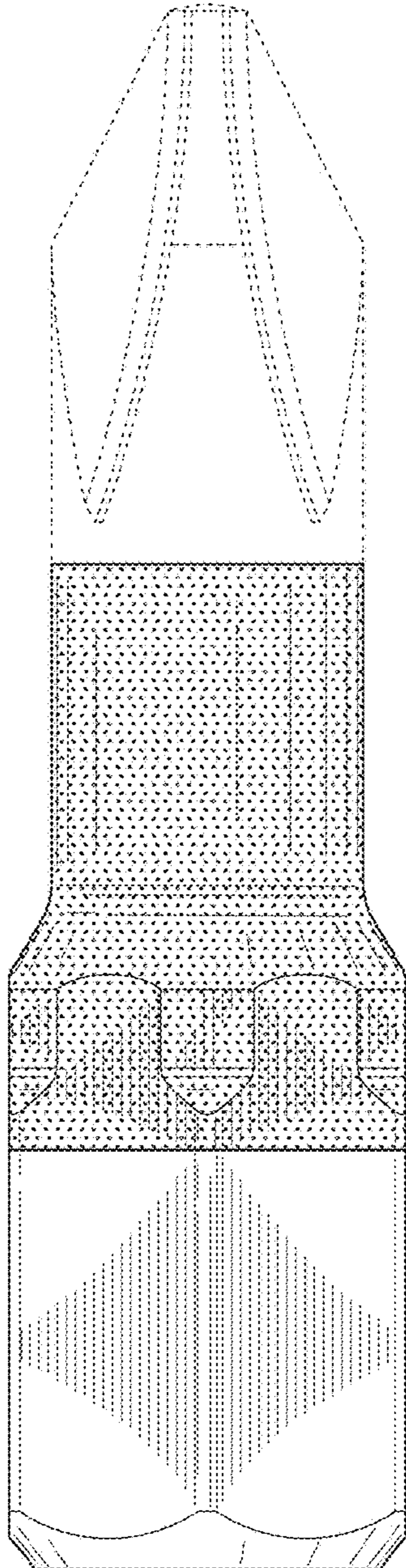


FIG. 2

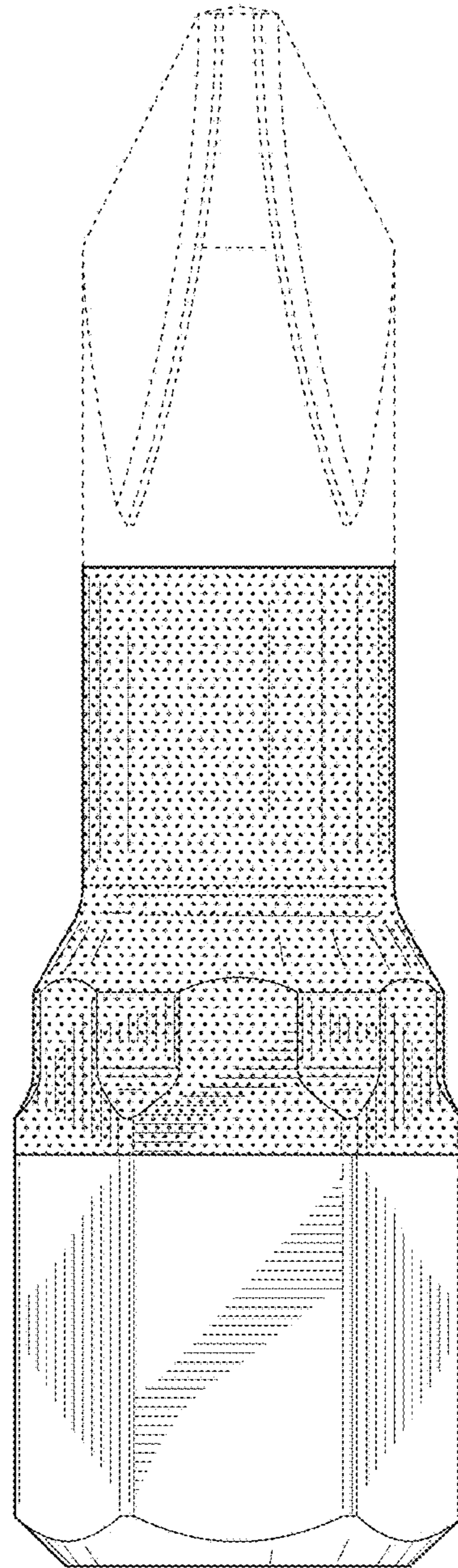


FIG. 3

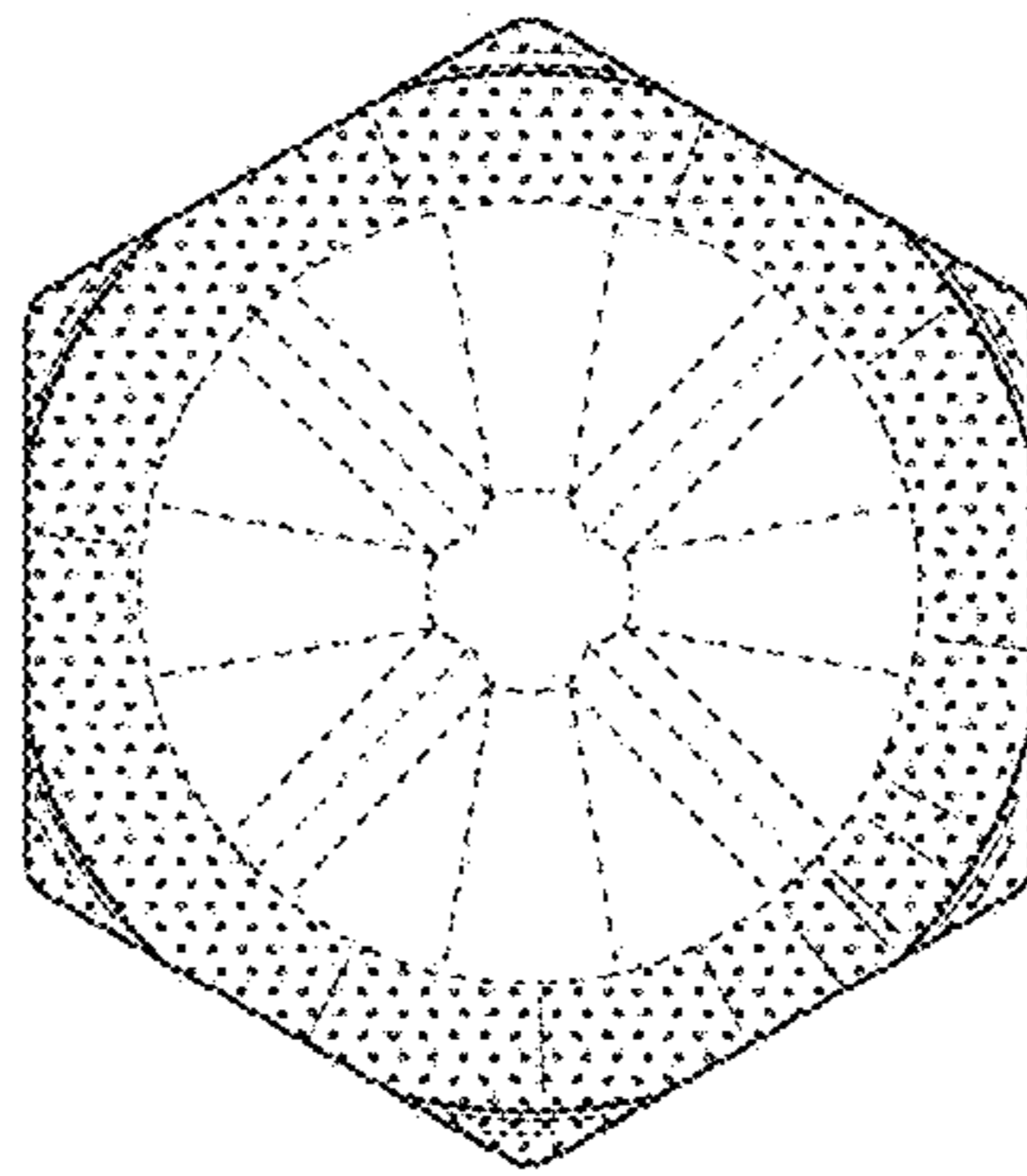


FIG. 4

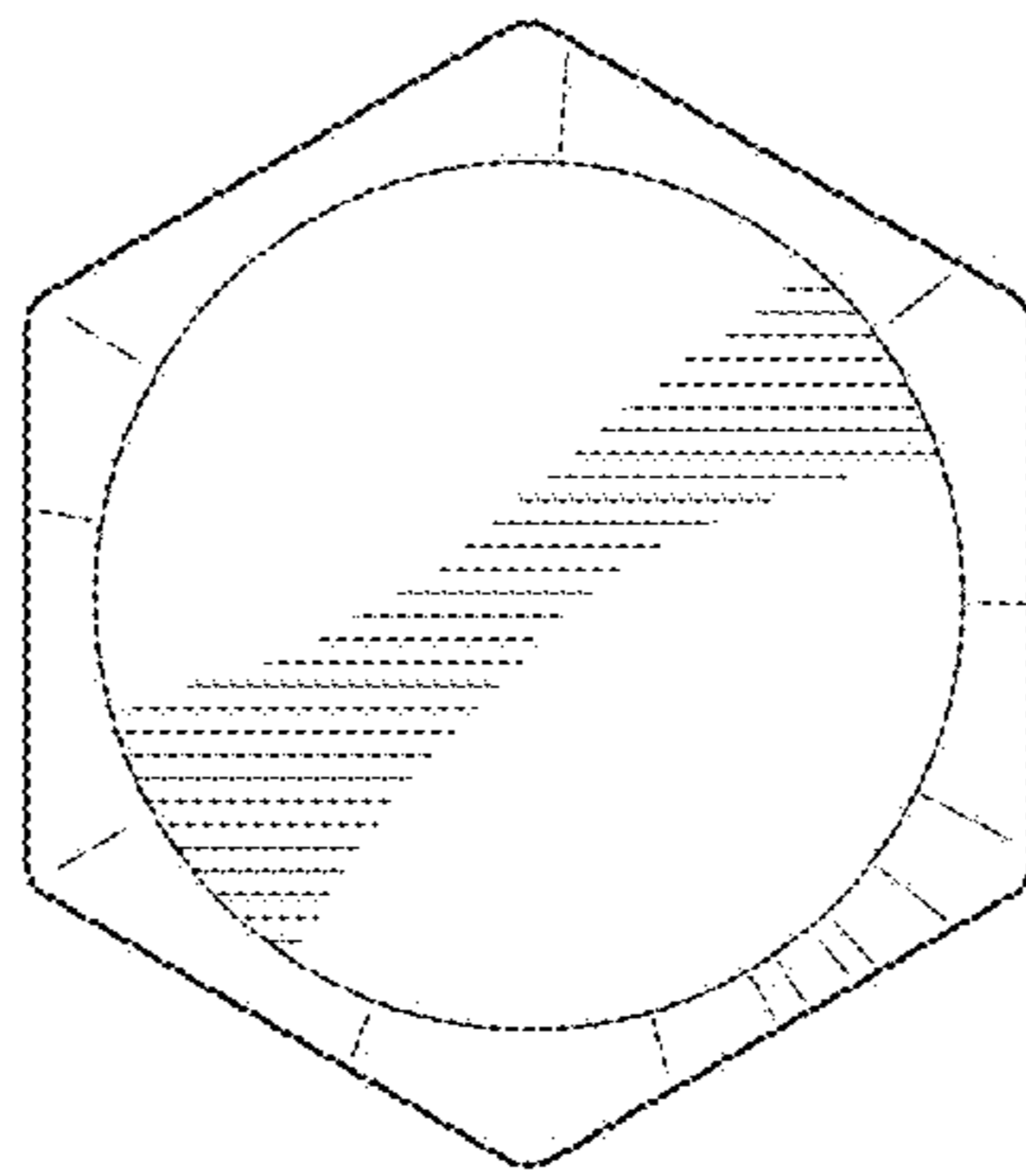


FIG. 5

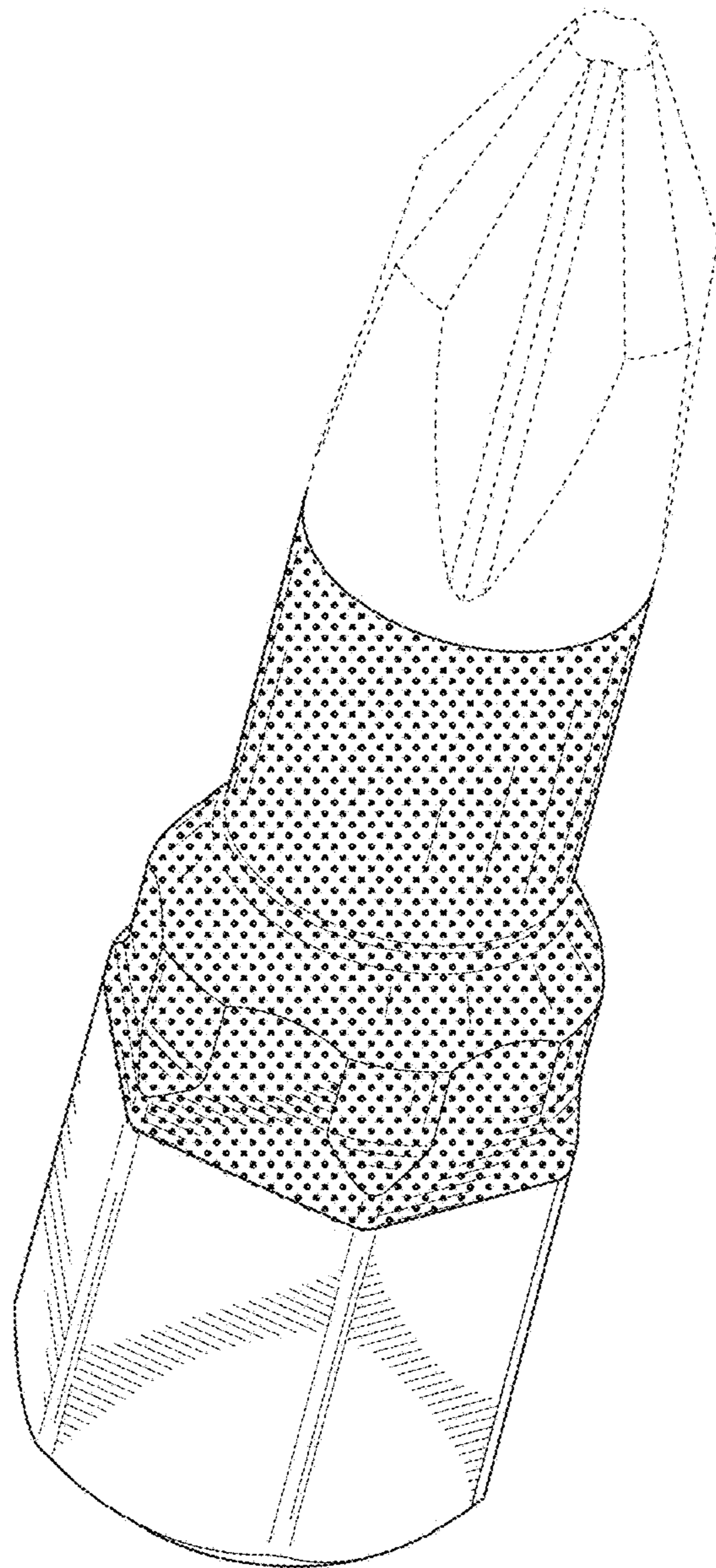


FIG. 6

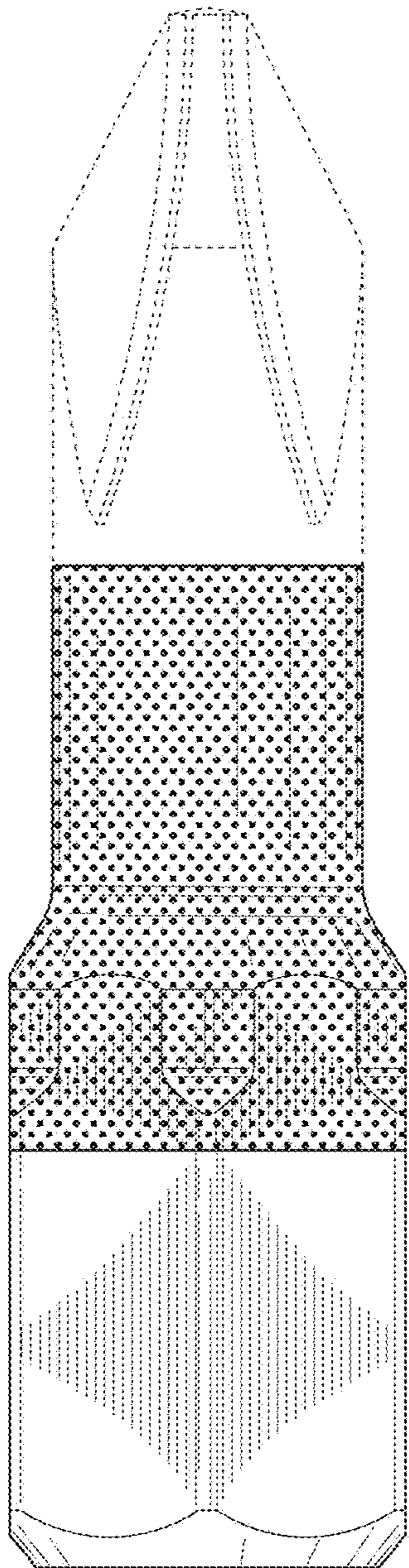


FIG. 7

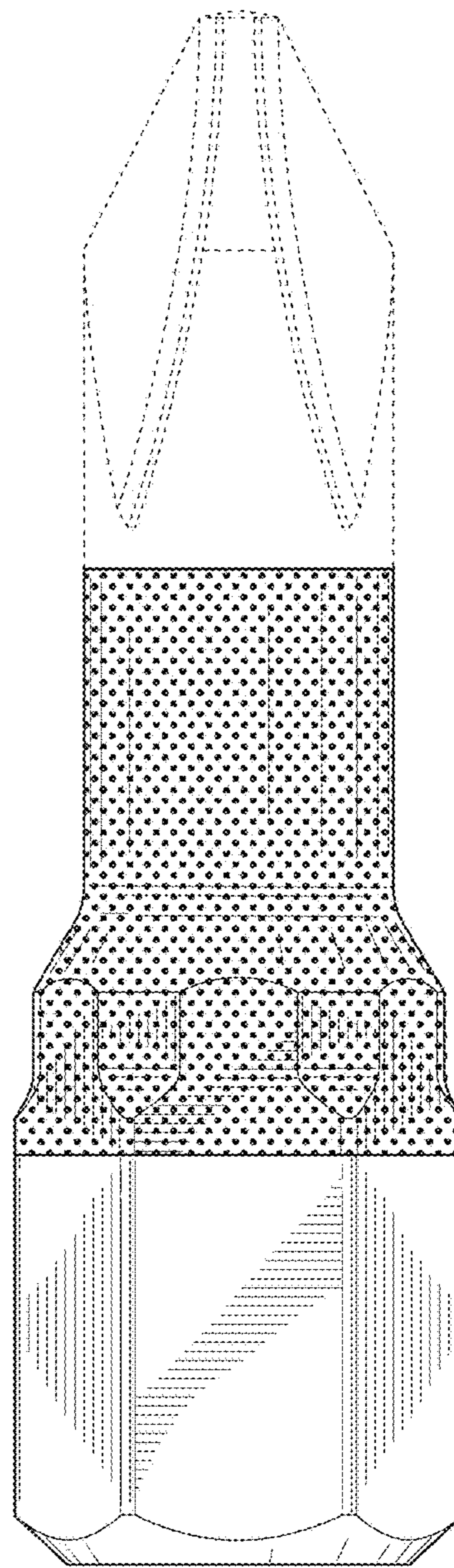


FIG. 8

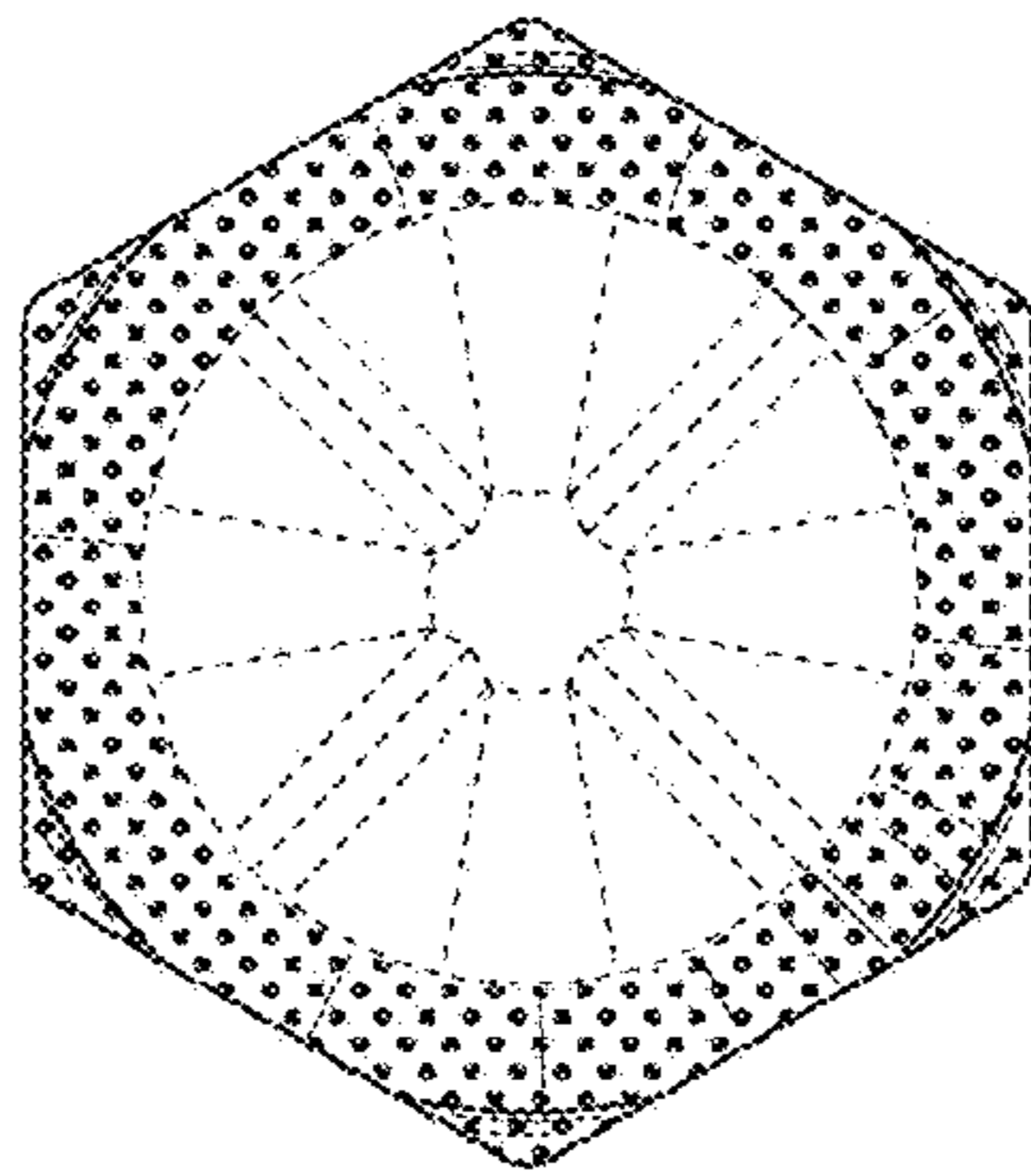


FIG. 9

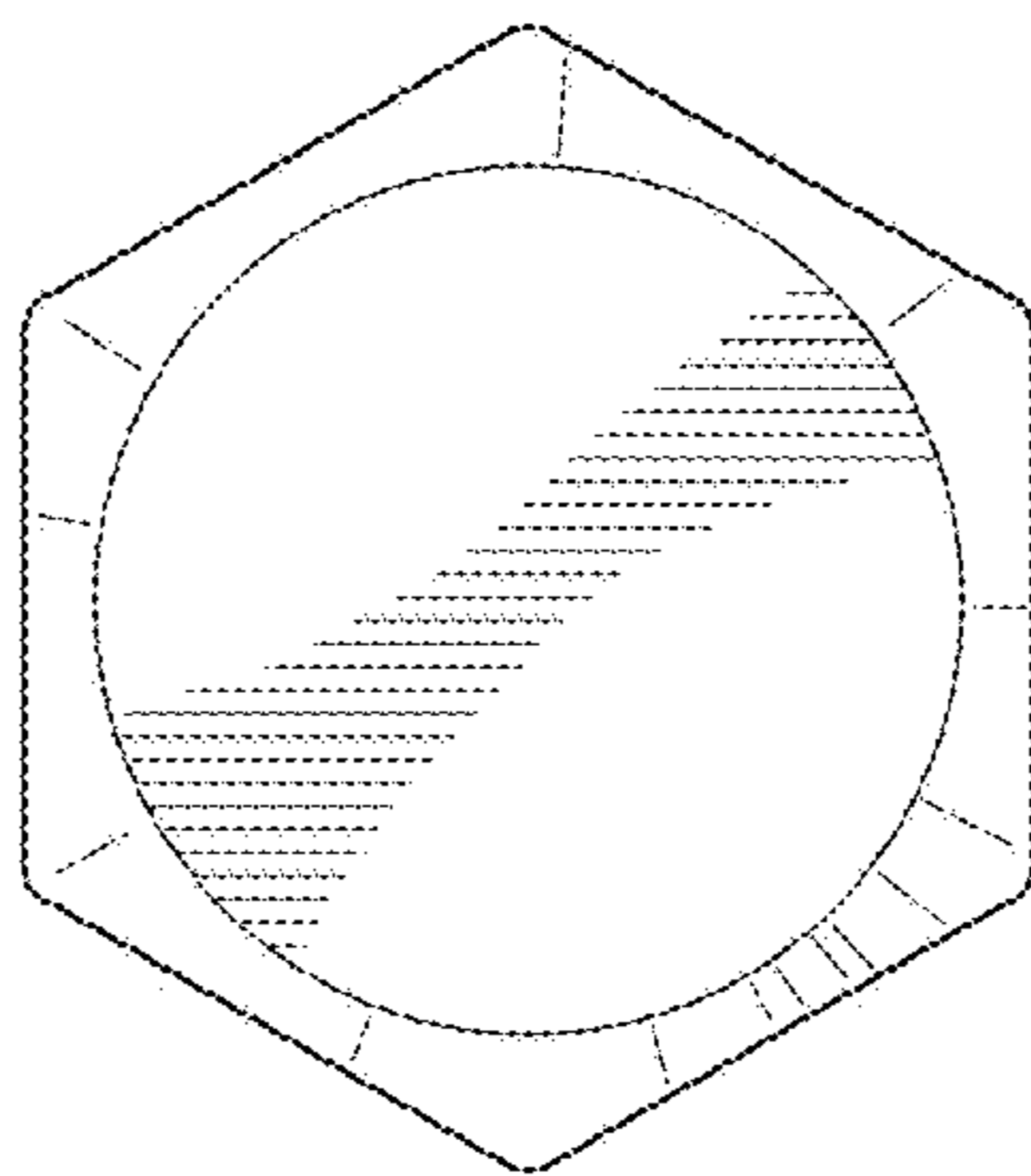


FIG. 10