



US00D862190S

(12) **United States Design Patent**  
**Taylor**

(10) **Patent No.:** **US D862,190 S**

(45) **Date of Patent:** **\*\* Oct. 8, 2019**

- (54) **DRIVER BIT**
- (71) Applicant: **Wamlez Pty Ltd**, Upper Coomera, Queensland (AU)
- (72) Inventor: **Warren Taylor**, Upper Coomera (AU)
- (73) Assignee: **WAMLEZ PTY LTD**, Upper Coomera, Queensland (AU)
- (\*\*) Term: **15 Years**
- (21) Appl. No.: **29/601,030**
- (22) Filed: **Apr. 18, 2017**
- (51) **LOC (12) Cl.** ..... **08-05**
- (52) **U.S. Cl.**  
USPC ..... **D8/70**
- (58) **Field of Classification Search**  
USPC ..... D8/70, 82, 85-87, 105; D15/139  
CPC ..... B25B 13/06; B25B 13/5091; B25B 15/00;  
B25B 15/001; B25B 15/002; B25B 15/004;  
B25B 15/005; B25B 15/008; B25B 15/02;  
B25B 15/04; B25B 17/00; B25B 21/007;  
B25B 23/00; B25B 23/0035; B25B 23/005;  
B25B 23/12; B25B 23/1405; B25B 27/18; B25B 31/12;  
B25B 51/08; B25B 51/108; B25B 2251/66; B23P 15/00  
See application file for complete search history.

- (56) **References Cited**  
U.S. PATENT DOCUMENTS  
D363,294 S \* 10/1995 Ellis ..... D15/139  
D379,578 S \* 6/1997 Daniels ..... D8/70  
5,868,047 A \* 2/1999 Faust ..... B23P 15/00  
81/438  
D445,325 S \* 7/2001 Fruhm ..... D8/86  
6,352,011 B1 \* 3/2002 Fruhm ..... B25B 15/001  
81/436  
D462,596 S \* 9/2002 Fruhm ..... D8/86

- 6,761,089 B2 \* 7/2004 Bergamo ..... B25B 27/18  
81/441
- 7,565,854 B2 \* 7/2009 Chiang ..... B25B 15/001  
279/75
- D631,723 S \* 2/2011 DeBaker ..... D8/86
- D645,328 S \* 9/2011 Hsu ..... D8/86
- D646,138 S \* 10/2011 Hsu ..... D8/86
- D646,139 S \* 10/2011 Hsu ..... D8/86
- D656,611 S \* 3/2012 Garcia ..... D15/139
- 8,210,545 B2 \* 7/2012 Hild ..... B23B 31/008  
279/19.6
- D687,871 S \* 8/2013 Liao ..... D15/139
- D704,022 S \* 5/2014 Hsu ..... D8/86
- D706,106 S \* 6/2014 Chen ..... D8/86
- D725,984 S \* 4/2015 Moss ..... D8/86
- D726,521 S \* 4/2015 Moss ..... D8/86
- D736,053 S \* 8/2015 Zhang ..... D8/86
- D752,408 S \* 3/2016 Moss ..... D8/86
- D813,003 S \* 3/2018 Chang ..... D8/70
- 2008/0216618 A1 \* 9/2008 Chen ..... B25B 23/12  
81/451

(Continued)

*Primary Examiner* — Darlington Ly  
(74) *Attorney, Agent, or Firm* — Duane Morris LLP

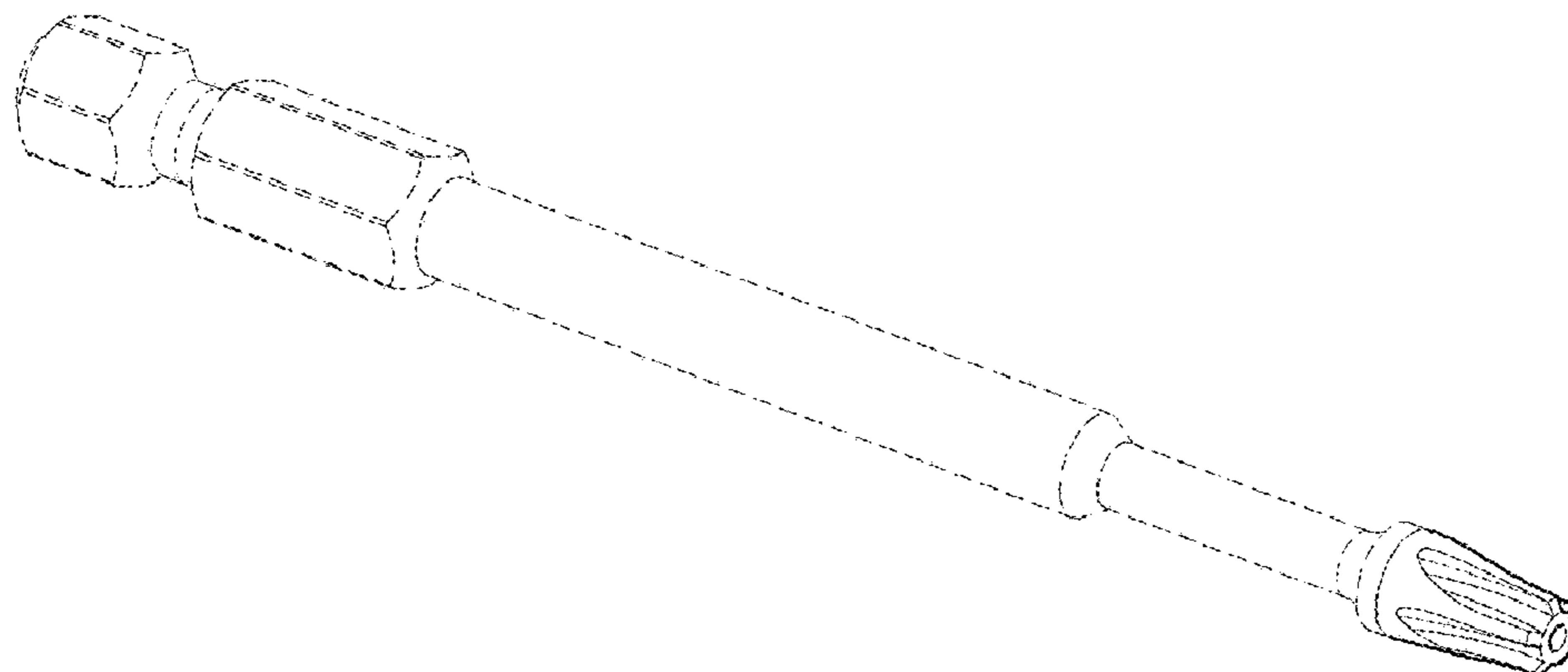
(57) **CLAIM**

The ornamental design for a driver bit, as shown and described.

**DESCRIPTION**

FIG. 1 is a top plan view of a driver bit showing my new design;  
FIG. 2 is a partial front elevation view thereof, wherein the end is shown in cross-section;  
FIG. 3 is a right side elevational view thereof;  
FIG. 4 is a left side elevational view thereof;  
FIG. 5 is a right side elevational view thereof, wherein the end is shown in cross-section; and,  
FIG. 6 is a perspective view thereof.  
The broken lines in the drawings illustrate portions of the driver bit that form no part of the claimed design.

**1 Claim, 2 Drawing Sheets**



(56)

**References Cited**

U.S. PATENT DOCUMENTS

2009/0288525 A1\* 11/2009 Chen ..... B25B 23/12  
81/451  
2010/0307298 A1\* 12/2010 Lai ..... B25B 15/002  
81/442  
2011/0197721 A1\* 8/2011 DeBaker ..... B25B 15/002  
81/436

\* cited by examiner

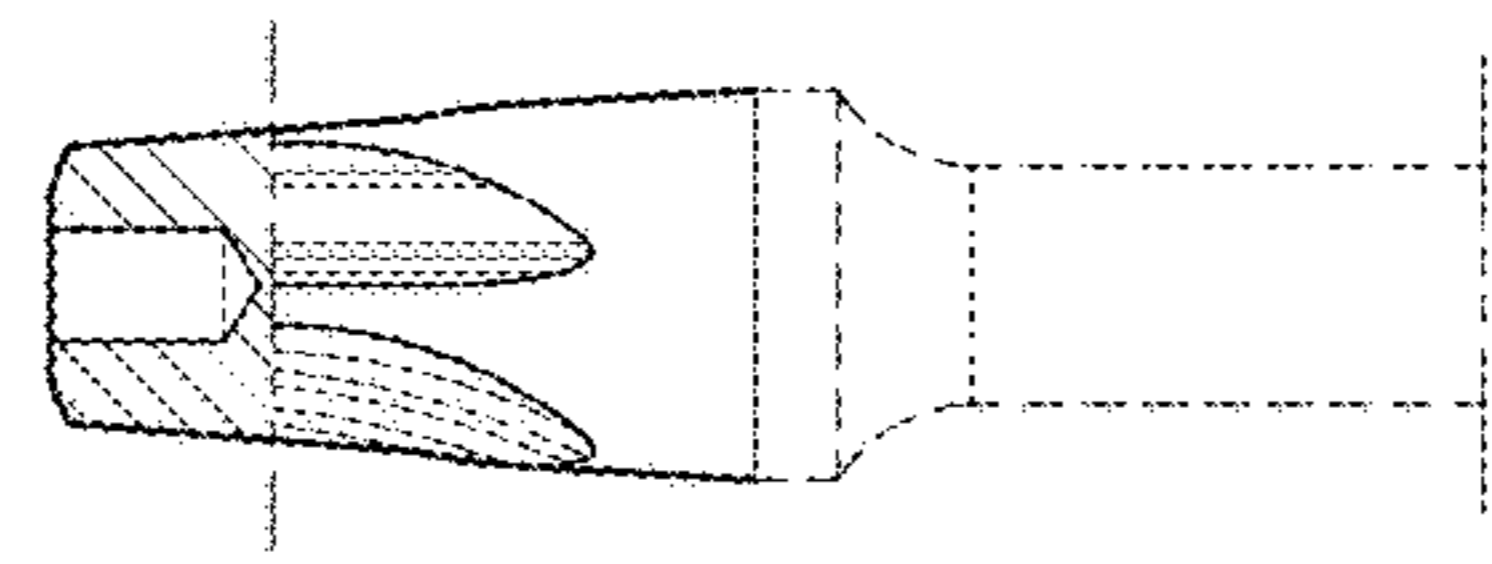


Figure 2

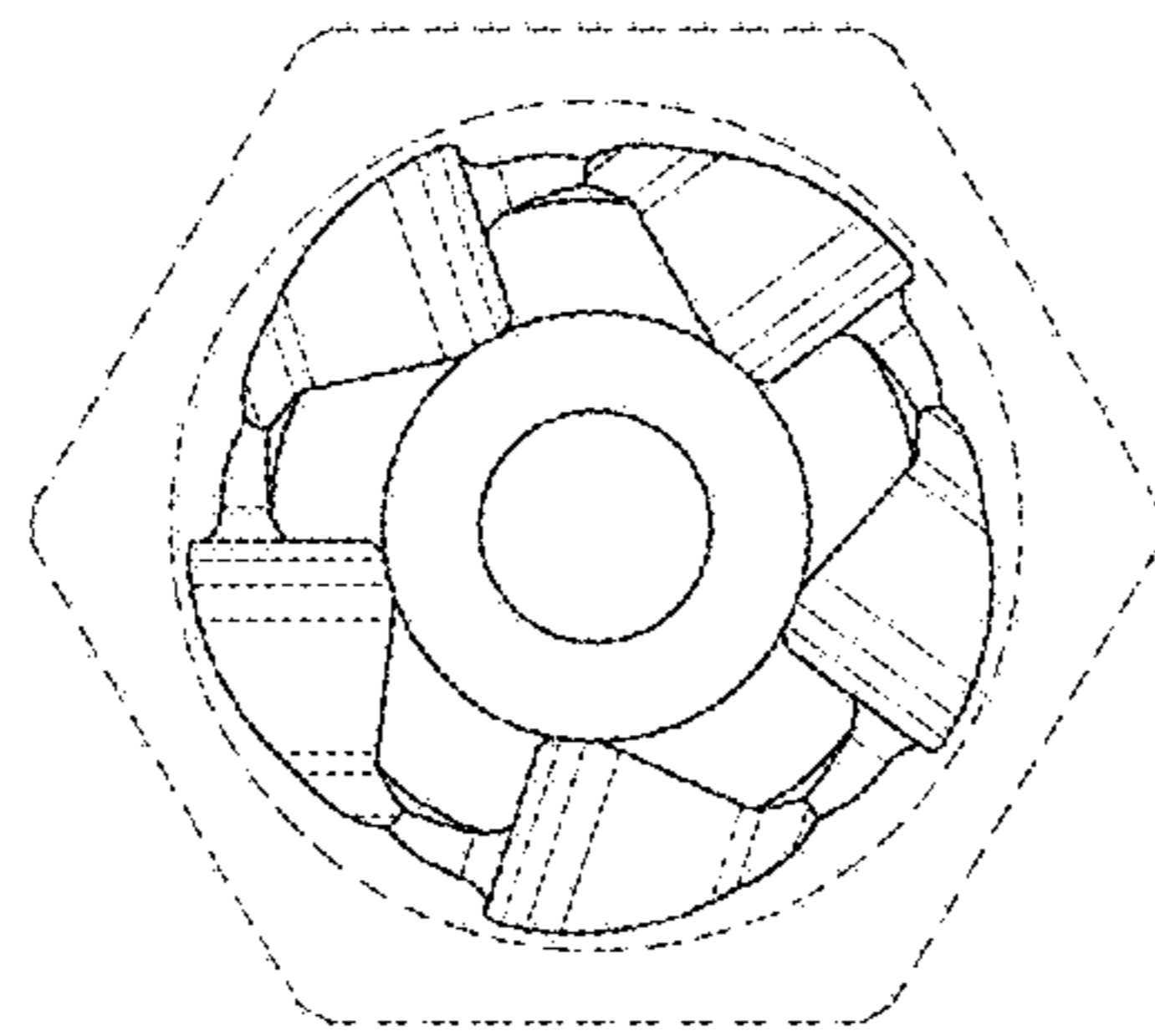


Figure 1

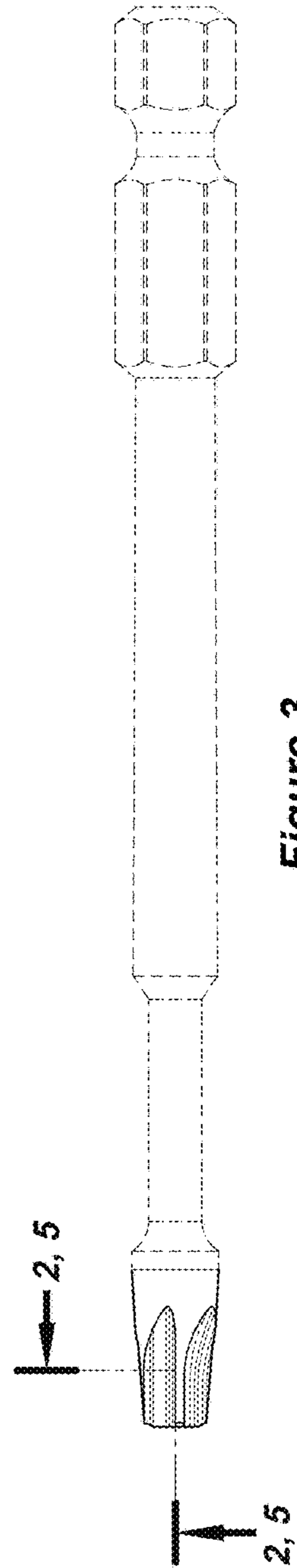


Figure 3

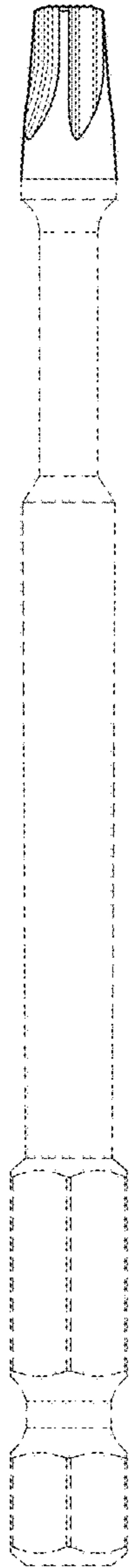


Figure 4

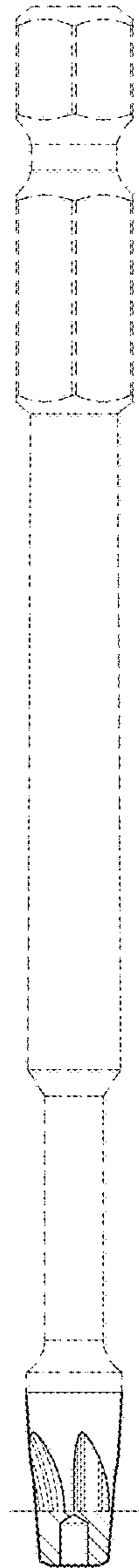


Figure 5

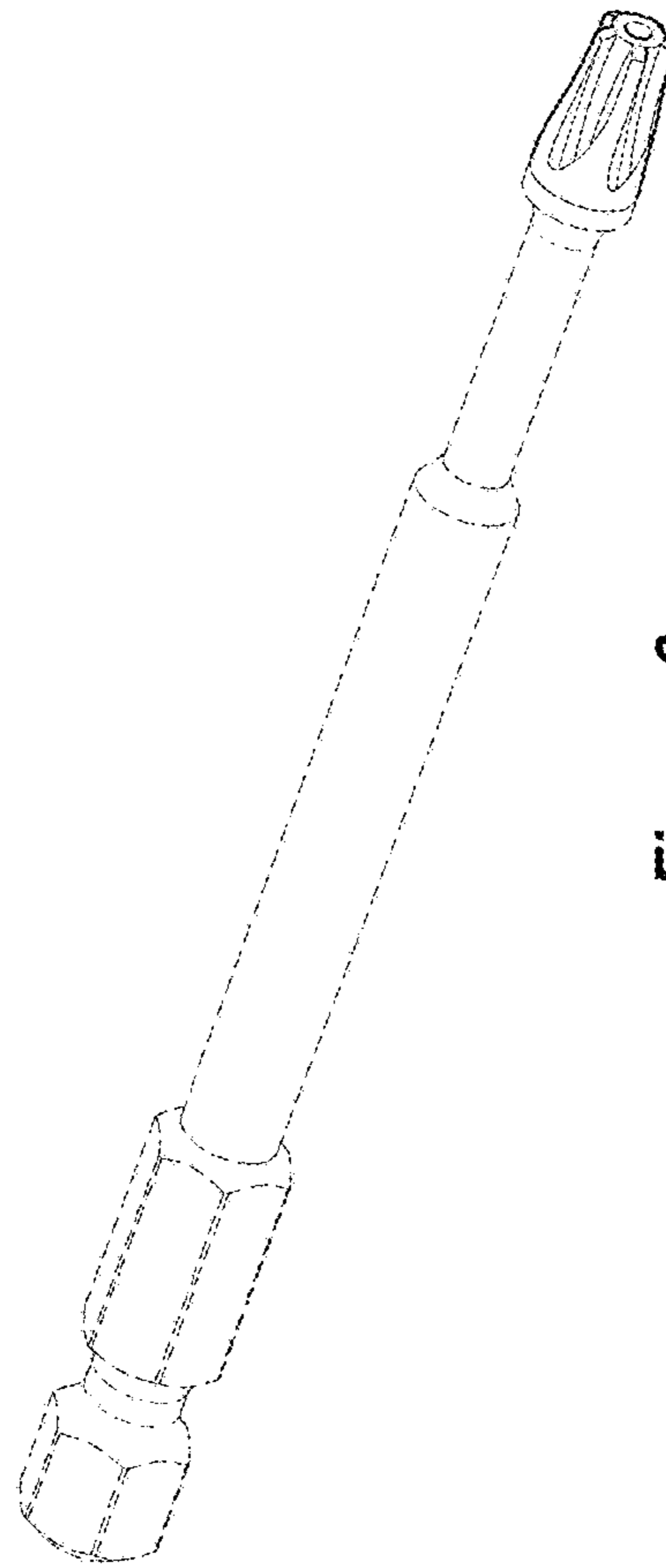


Figure 6