



US00D862189S

(12) **United States Design Patent** (10) **Patent No.:** **US D862,189 S**
Taylor et al. (45) **Date of Patent:** **** Oct. 8, 2019**

(54) **FASTENER DRIVING TOOL HAVING STORAGE COMPARTMENT**

D659,500 S *	5/2012	Hotta	D8/69
D660,122 S *	5/2012	Hotta	D8/69
D676,299 S *	2/2013	Baron	D8/69
D678,027 S *	3/2013	Jerabek	D8/68
D694,080 S *	11/2013	Simonin	D8/69

(71) Applicant: **Illinois Tool Works Inc.**, Glenview, IL (US)

* cited by examiner

(72) Inventors: **Walter Taylor**, McHenry, IL (US);
Julius Schwartzenberger, Northlake, IL (US)

Primary Examiner — Austin Murphy
(74) *Attorney, Agent, or Firm* — Neal, Gerber & Eisenberg LLP

(73) Assignee: **Illinois Tool Works Inc.**, Glenview, IL (US)

(**) Term: **15 Years**

(21) Appl. No.: **29/656,282**

(22) Filed: **Jul. 11, 2018**

(51) **LOC (12) Cl.** **08-05**

(52) **U.S. Cl.**
USPC **D8/69**

(58) **Field of Classification Search**
USPC D8/61-70
CPC .. B25C 1/001; B25C 1/04; B25C 1/06; B25C 1/041; B25C 1/047
See application file for complete search history.

(56) **References Cited**

U.S. PATENT DOCUMENTS

D332,561 S *	1/1993	Fushiya	D8/69
D338,606 S *	8/1993	Oda	D8/69
D338,819 S *	8/1993	Ohkochi	D8/69
D432,883 S *	10/2000	Wingert	D8/68
D472,780 S *	4/2003	Matsuoka	D8/68
D515,384 S *	2/2006	Hutchings	D8/70
D516,400 S *	3/2006	Yang	D8/69
D531,475 S *	11/2006	Li	D8/69

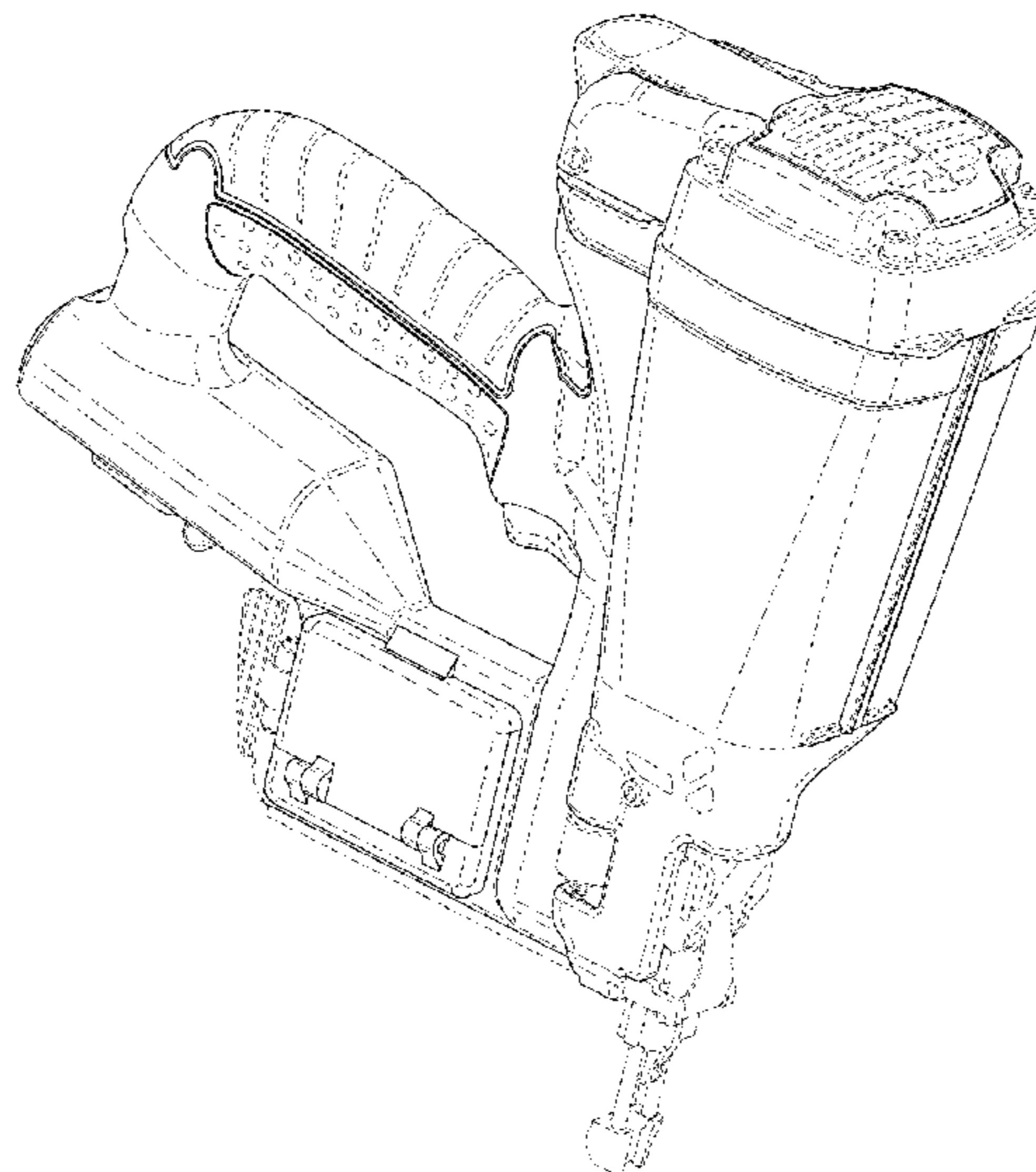
(57) **CLAIM**

The ornamental design for a fastener driving tool having storage compartment, as shown and described herein.

DESCRIPTION

FIG. 1 is a top side perspective view of a fastener driving tool having storage compartment of our new design.
FIG. 2 is a right side view of the fastener driving tool having storage compartment of FIG. 1.
FIG. 3 is a left side view of the fastener driving tool having storage compartment of FIG. 1.
FIG. 4 is a front view of the fastener driving tool having storage compartment of FIG. 1.
FIG. 5 is a rear view of the fastener driving tool having storage compartment of FIG. 1.
FIG. 6 is a top view of the fastener driving tool having storage compartment of FIG. 1; and,
FIG. 7 is a bottom view of the fastener driving tool having storage compartment of FIG. 1.
The portions shown in phantom is not part of the design sought to be patented and is provided for environmental purposes only.

1 Claim, 6 Drawing Sheets



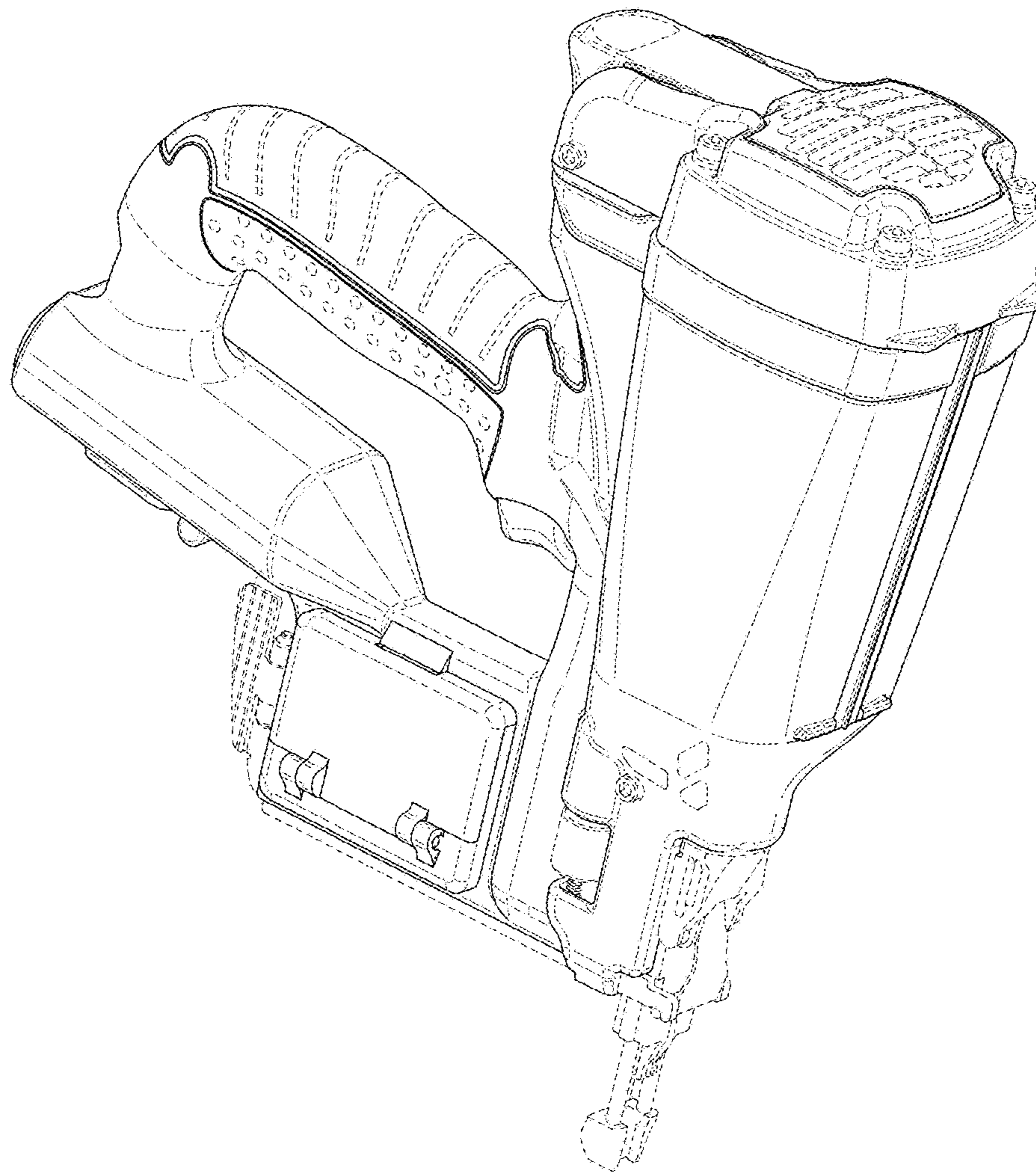


FIG. 1

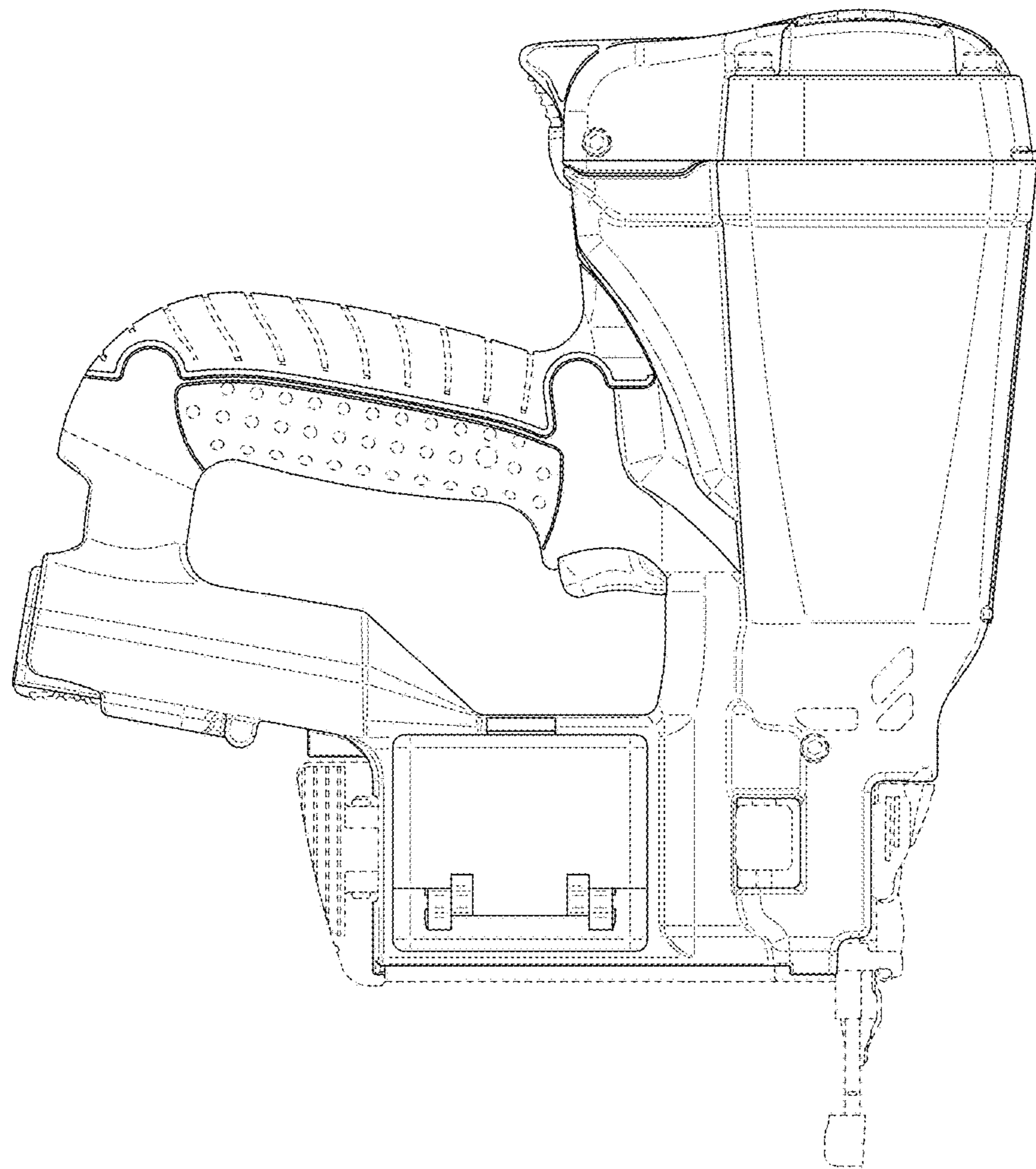


FIG. 2

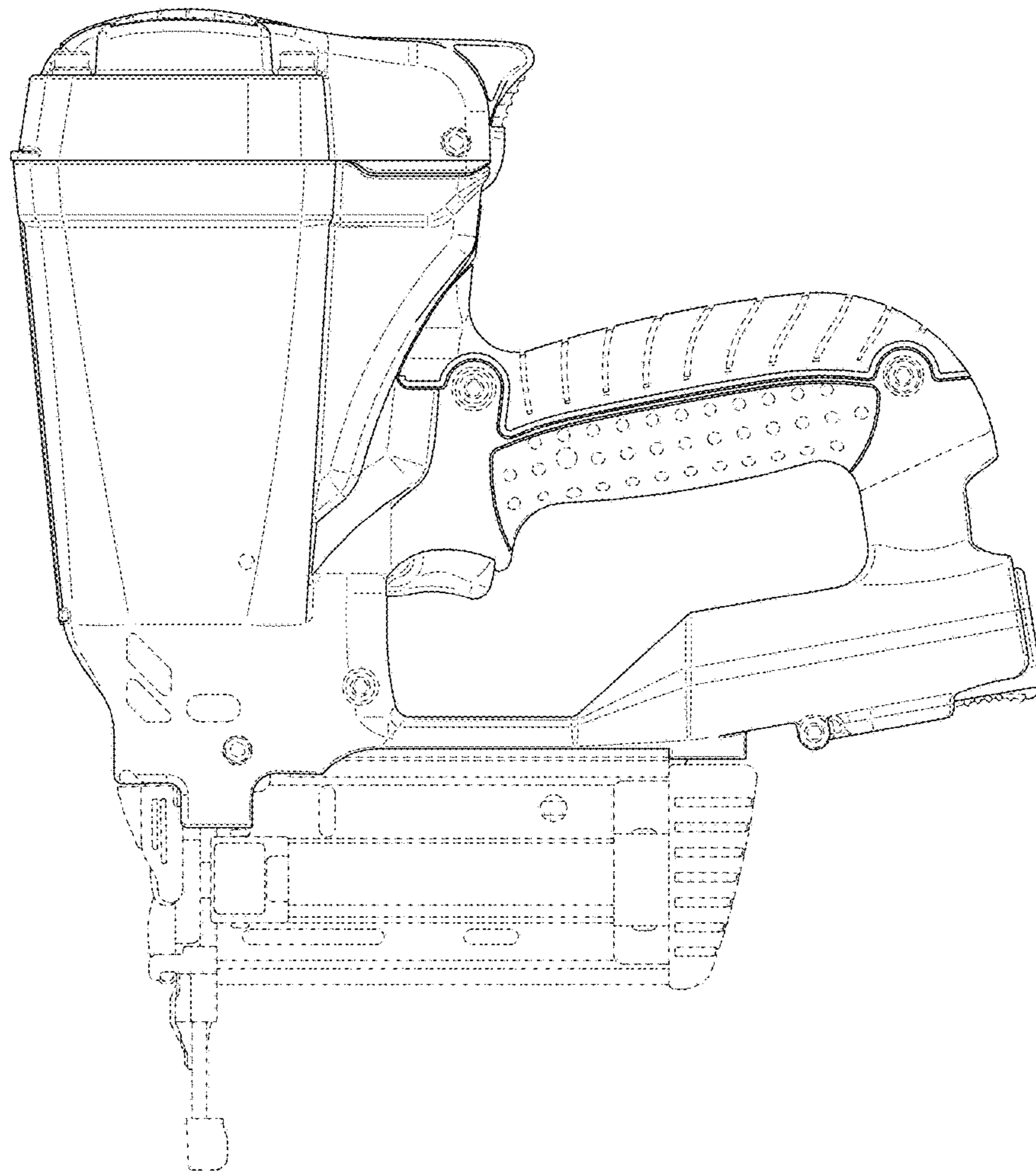


FIG. 3

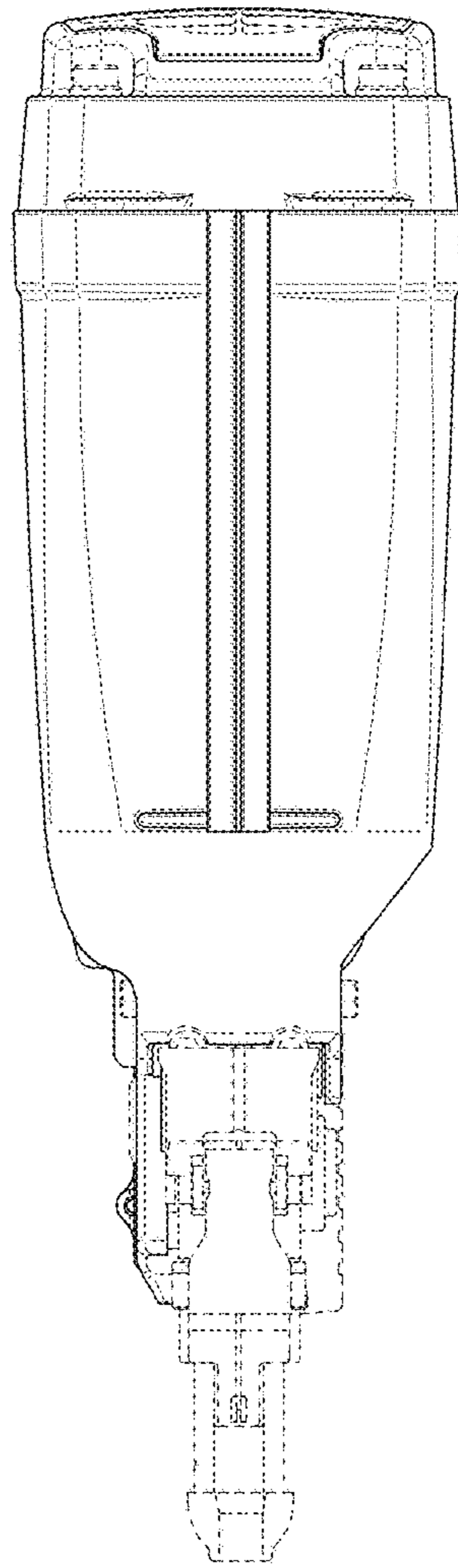


FIG. 4

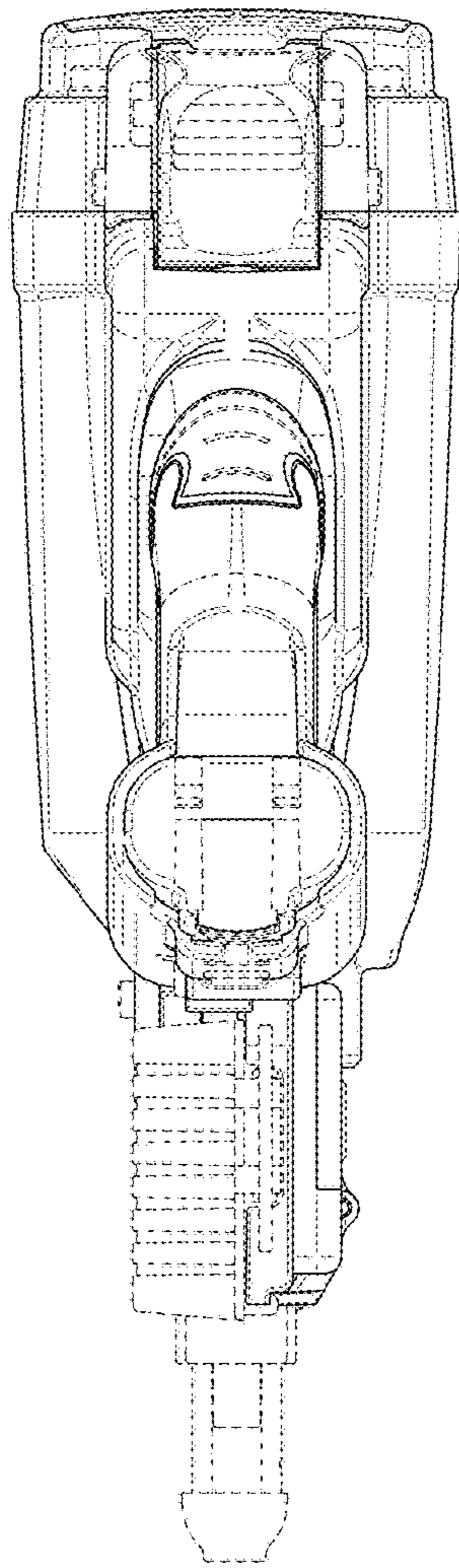


FIG. 5

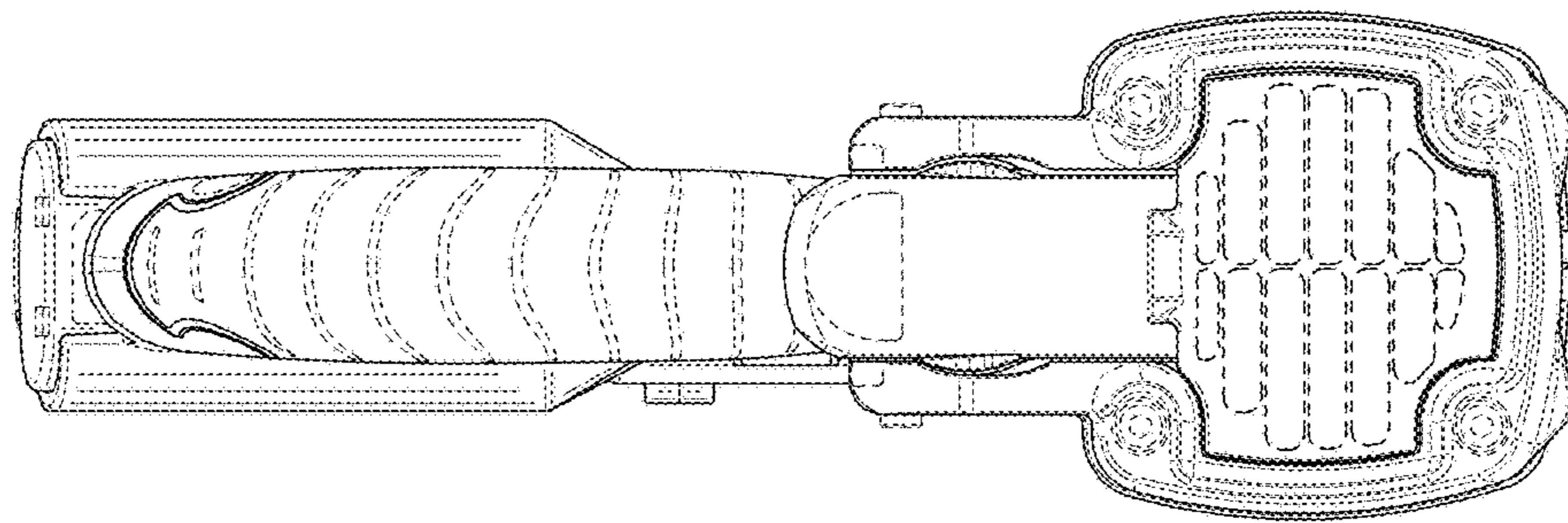


FIG. 6

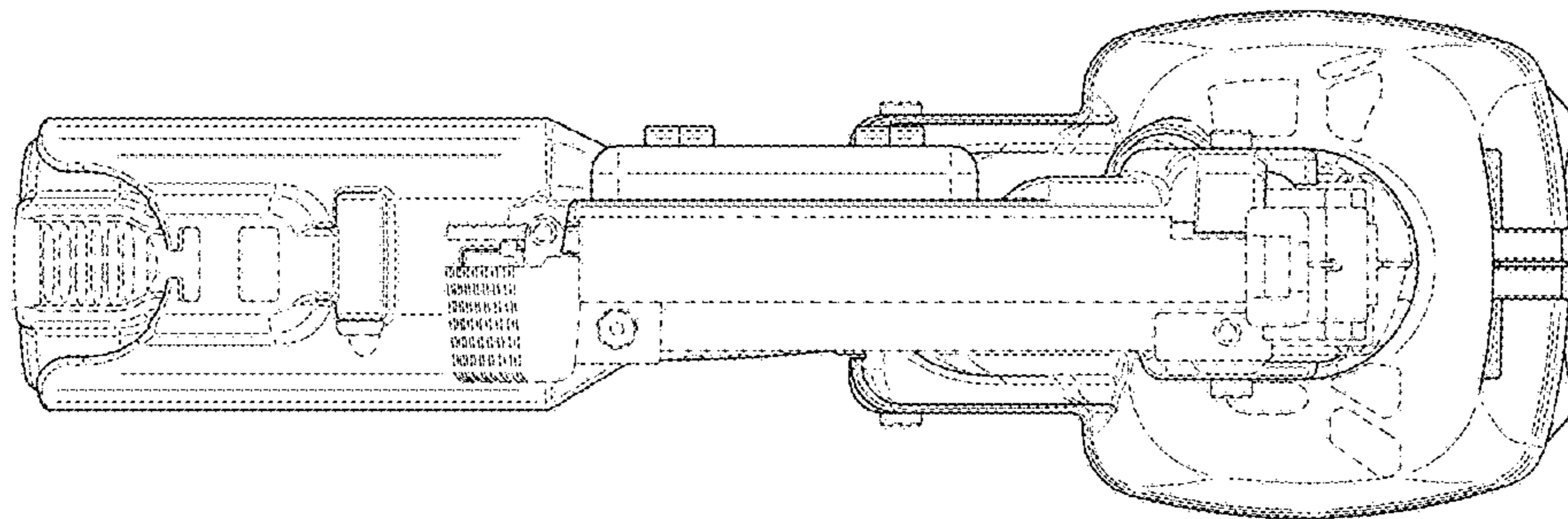


FIG. 7